



DISCOVERY CUTTER Parts List



GBC IS AN ACCO BRANDS COMPANY

Discovery Cutter
Illustrated Parts Book
(1711985)

© 2002 GENERAL BINDING CORPORATION. ALL RIGHTS RESERVED.

Do not duplicate without written permission

Booklet #: RDCPB001

GBC Films Group
4151 Anderson Road
DeForest, WI 53532
Ph: (608) 246 - 8844
Fx: (608) 246 - 8645

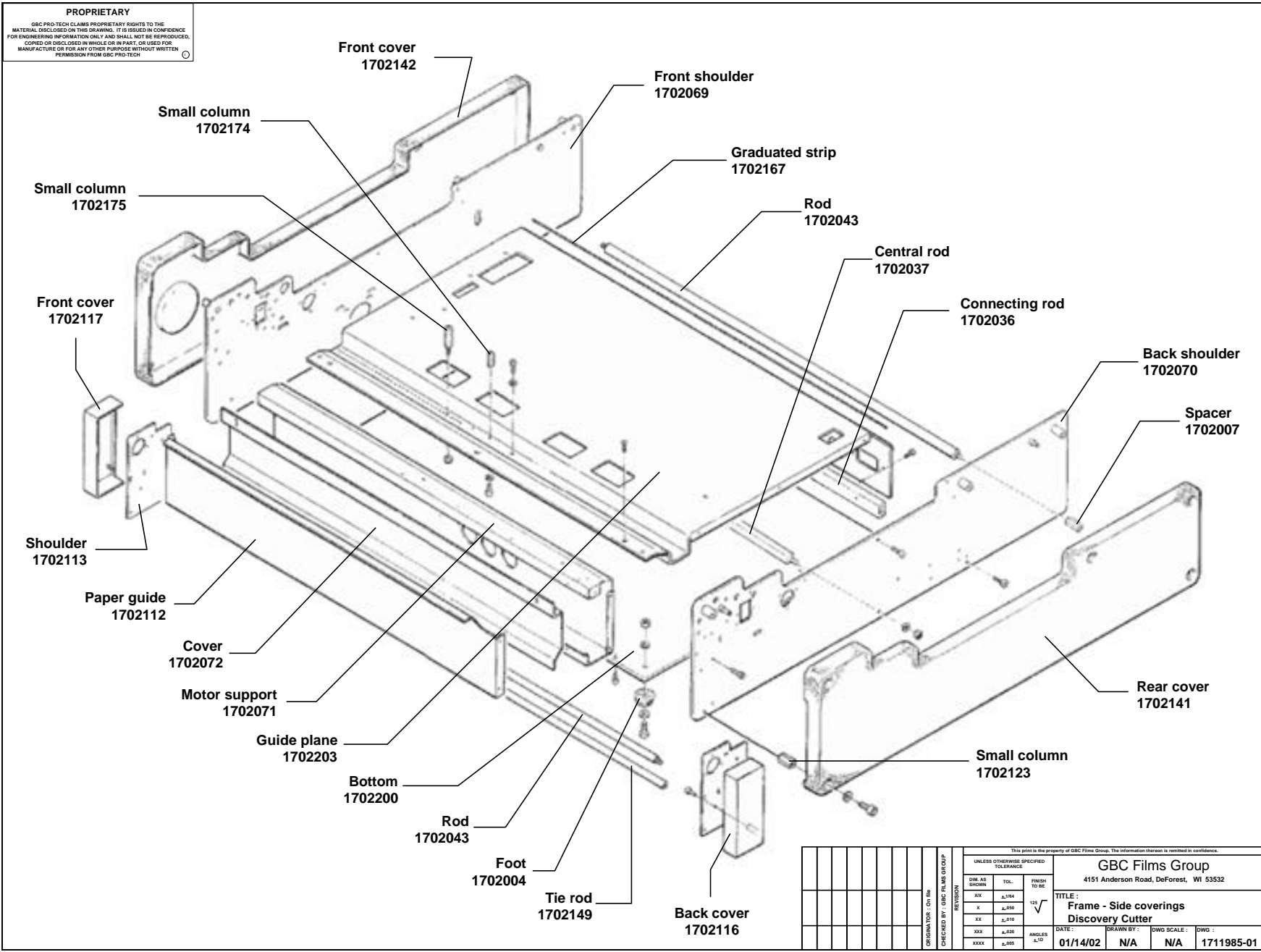
DRAWING #	PART #	DESCRIPTION
6	1702000	Spring
6	1702001	Ring
6	1702002	Shaft
6	1702003	Bearing roller
1	1702004	Foot
11	1702005	Fuse holder
3	1702006	Flange
1	1702007	Spacer
6	1702008	Bush
2, 4	1702009	Washer
6	1702010	Spring
6	1702011	Spring
2, 6, 7	1702012	Spacer
6	1702013	Roller, bearing assy
3, 10	1702014	Washer
6	1702015	Washer
6	1702016	Flanget roller
6	1702017	Front block
6	1702018	Back block
6	1702019	Bottom plate
6	1702020	Top plate
10	1702021	Plate
10	1702022	Fulcrum pin
10	1702023	Front block
10	1702024	Back block
10	1702025	Spacer
10	1702026	Spring
10	1702027	Pin
10	1702028	Microswitch with wheel
6	1702029	Washer
6	1702030	Bush
3, 7	1702031	Right board
3, 7	1702032	Left board
7	1702033	Right board support
7	1702034	Left board support
7	1702035	Spacer
1	1702036	Connecting rod
1	1702037	Central rod
7	1702038	Plate
7	1702039	Lever
6, 8	1702040	Shaft

DRAWING #	PART #	DESCRIPTION
6	1702041	Belt
10	1702042	Transparent cover
1	1702043	Rod
7	1702044	Pin
7	1702045	Spring
10	1702046	Pin
11	1702047	Power supply cable
11	1702048	Socket with line trap
11	1702049	Bridge
11	1702050	Main switch
8	1702051	Knob
11	1702052	Fuse holder
4	1702053	Damper
11	1702054	Voltage selector
8	1702055	Bush
3	1702056	Roller
3	1702057	Magneto support
3	1702058	Pin
3	1702059	Lever
3	1702060	Sensor rod
3	1702061	Spacer
2	1702062	Reinforcement spring
9	1702063	Upper blade
9	1702064	Front blade holder lever
9	1702065	Blade holder
9	1702066	Pin
9	1702067	Gauged washer
9	1702068	Space washer
1	1702069	Front shoulder
1	1702070	Back shoulder
1	1702071	Motor support
1	1702072	Cover
3	1702073	Roller supporting square
4, 5, 9	1702074	Bearing bush
4, 5	1702075	Lower roller
4, 5	1702076	Feed rod
2	1702077	Leaf springs
2	1702078	Square rod
2	1702079	Upper roller support
2	1702080	Supporting block
2	1702081	Fixed block

DRAWING #	PART #	DESCRIPTION
2	1702082	Pressure lever
4	1702083	Bearing supporting square
2	1702084	Pin
8	1702085	Back guide
8	1702086	Front guide
8	1702087	Guide block
8	1702088	Guide shaft
2, 8	1702089	Column
3	1702090	Plate
2	1702091	U bolt
2	1702092	Small shaft
7	1702093	Platen lifting springs
6	1702094	Cutting carriage
6	1702095	Slipping bush
6	1702096	Carriage without components
7	1702097	Fixed blade
7	1702098	Pressure
7	1702099	Platen guide pin
9	1702100	Support
9	1702101	Rear support
9	1702102	Wheel
9	1702103	Bottom rear blade
9	1702104	Bottom front blade
9	1702105	Guide
9	1702106	Support
11	1702107	Power supply board
11	1702108	Logic board
7	1702109	Sensor board
9	1702110	Pipe
9	1702111	Shaft
1	1702112	Paper guide
1, 5	1702113	Shoulder
5	1702114	Bush
5	1702115	Idler roller
1, 5	1702116	Back cover
1	1702117	Front cover
9	1702118	Upper front plate
9	1702119	Front guide bracket
9	1702120	Back guide bracket
9	1702121	Upper back plate
5	1702122	Washer

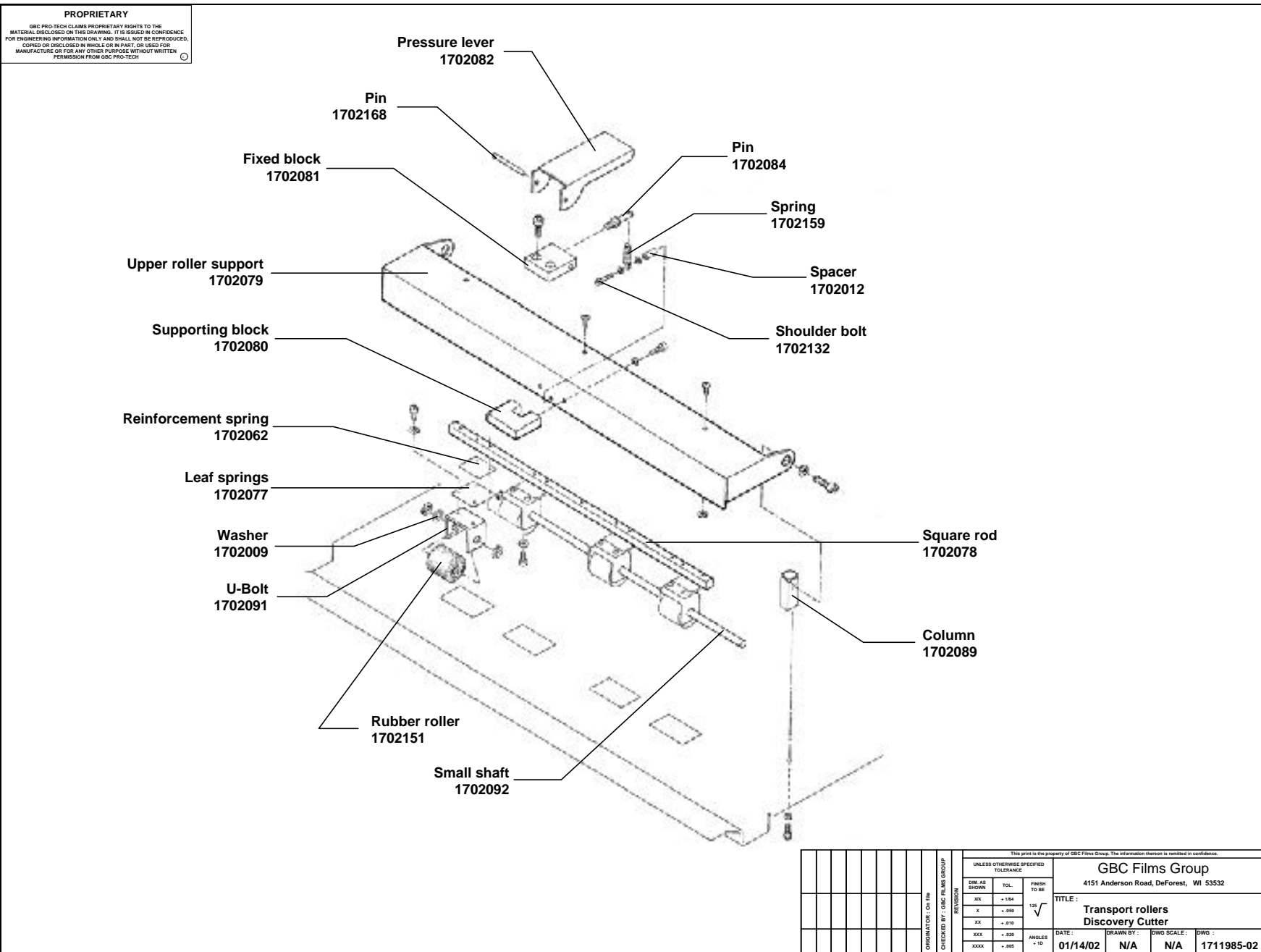
DRAWING #	PART #	DESCRIPTION
1, 5	1702123	Small column
9	1702124	Front bracket
9	1702125	Back bracket
9	1702126	Right lever
9	1702127	Left lever
9	1702128	Plate
9	1702129	Bush
9	1702130	Bush
9	1702131	Reference plaque
2, 3, 7, 9	1702132	Screw TCEI, 3x12 (Pack of 10)
11	1702133	Panel
11	1702134	Keyboard panel
11	1702135	Keyboard
10	1702136	Cable covering plaque
7	1702137	Emitter support
7	1702138	Plate
7	1702139	Cable runner
10	1702140	Lower protection
1	1702141	Rear cover
1	1702142	Front cover
8	1702143	Complete copy collecting tray
8	1702144	Front hook
8	1702145	Rear hook
8	1702146	Copy collecting plate
8	1702147	Square
8	1702148	Closure
1, 9	1702149	Tie rod
3	1702150	Idle roller shaft
2	1702151	Rubber roller
6	1702152	Circular blade
9, 11	1702153	Screw TCEI, 5x25 (Pack of 10)
11	1702154	Small column
9, 10	1702155	Spacer
4	1702156	Spacer for bearing
11	1702157	Nut
9	1702158	Spring
2	1702159	Spring
4	1702160	Pulley Z10
4	1702161	Pulley Z20 XL
5	1702162	Pulley Z13 XL
5	1702163	Pulley Z20 XL

DRAWING #	PART #	DESCRIPTION
9	1702164	Thrust bearing
9	1702165	Counter step bearing
9	1702166	Knob
1, 9, 10	1702167	Graduated strip
2	1702168	Pin
4	1702169	Belt 100XL
5	1702170	Belt 200XL 037
11	1702171	Terminal block
11	1702172	Toroidal transformer
4	1702173	Stepping motor
1	1702174	Small column
1, 7	1702175	Small column
4	1702176	Bearing
3	1702177	Spacer
6	1702178	Belt tightening saddle
6	1702179	Belt tightening roller
7	1702180	Sensor protection
7	1702181	Emitter
9	1702182	Rear plaque
9	1702183	Front plaque
11	1702184	Board connecting cable
11	1702185	Spacer
11	1702186	Fuse 1,25A (box of ten pcs)
11	1702187	Fuse 2,5A (box of ten pcs)
11	1702188	Fuse 6x30 10A (box of ten pcs)
11	1702189	Fuse 1A (box of ten pcs)
11	1702190	Fuse 10A (box of ten pcs)
11	1702191	Fuse 1A (box of ten pcs)
6	1702192	Buffer
7	1702193	Teflon film
7	1702194	Supporting bar
7	1702195	Magneto support
6	1702196	Small square
6	1702197	Gearmotor
6	1702198	Driving pulley
6	1702199	Plate
1	1702200	Bottom
8	1702201	Bush
8	1702202	Thin plate
1	1702203	Glide plane



PROPRIETARY
 GBC PRO-TECH CLAIMS PROPRIETARY RIGHTS TO THE MATERIAL DISCLOSED ON THIS DRAWING. IT IS ISSUED IN CONFIDENCE FOR ENGINEERING INFORMATION ONLY AND SHALL NOT BE REPRODUCED, COPIED OR DISCLOSED IN WHOLE OR IN PART, OR USED FOR MANUFACTURE OR FOR ANY OTHER PURPOSE WITHOUT WRITTEN PERMISSION FROM GBC PRO-TECH

UNLESS OTHERWISE SPECIFIED TOLERANCE				GBC Films Group 4151 Anderson Road, DeForest, WI 53532			
DIM. AS SHOWN	TOL.	FINISH TO BE	TITLE: Frame - Side coverings Discovery Cutter				
XX	±.154	125	DATE:	DRAWN BY:	DWG SCALE:	DWG:	
X	±.050	✓	01/14/02	N/A	N/A	1711985-01	
XX	±.010						
XXX	±.020	ANGLES					
XXXX	±.005	±.01					



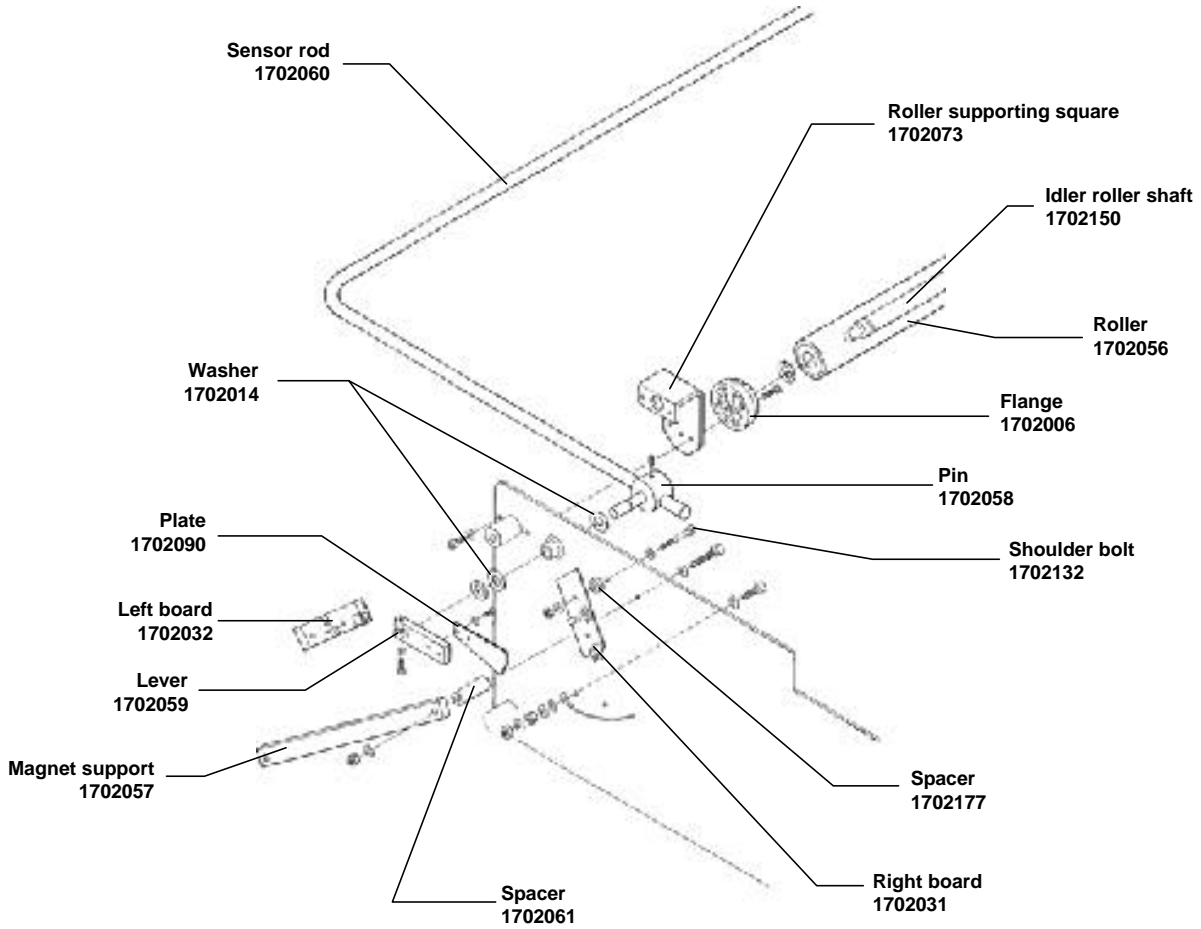
PROPRIETARY
GBC PRO-TECH CLAIMS PROPRIETARY RIGHTS TO THE MATERIAL DISCLOSED ON THIS DRAWING. IT IS ISSUED IN CONFIDENCE FOR ENGINEERING INFORMATION ONLY AND SHALL NOT BE REPRODUCED, COPIED OR DISCLOSED IN WHOLE OR IN PART, OR USED FOR MANUFACTURE OR FOR ANY OTHER PURPOSE WITHOUT WRITTEN PERMISSION FROM GBC PRO-TECH.

This print is the property of GBC Films Group. The information thereon is revealed in confidence.

UNLESS OTHERWISE SPECIFIED TOLERANCE		GBC Films Group 4151 Anderson Road, DeForest, WI 53532	
DIM. AS SHOWN	TOL.	FRESH TO SET	TITLE : Transport rollers Discovery Cutter
.01X	+ .164	128	
.02X	+ .250		
.03X	+ .210		
.04X	+ .250	ANGLES + .10	
.05X	+ .265		DATE : 01/14/02 DRAWN BY : N/A DWG SCALE : N/A DWG : 1711985-02

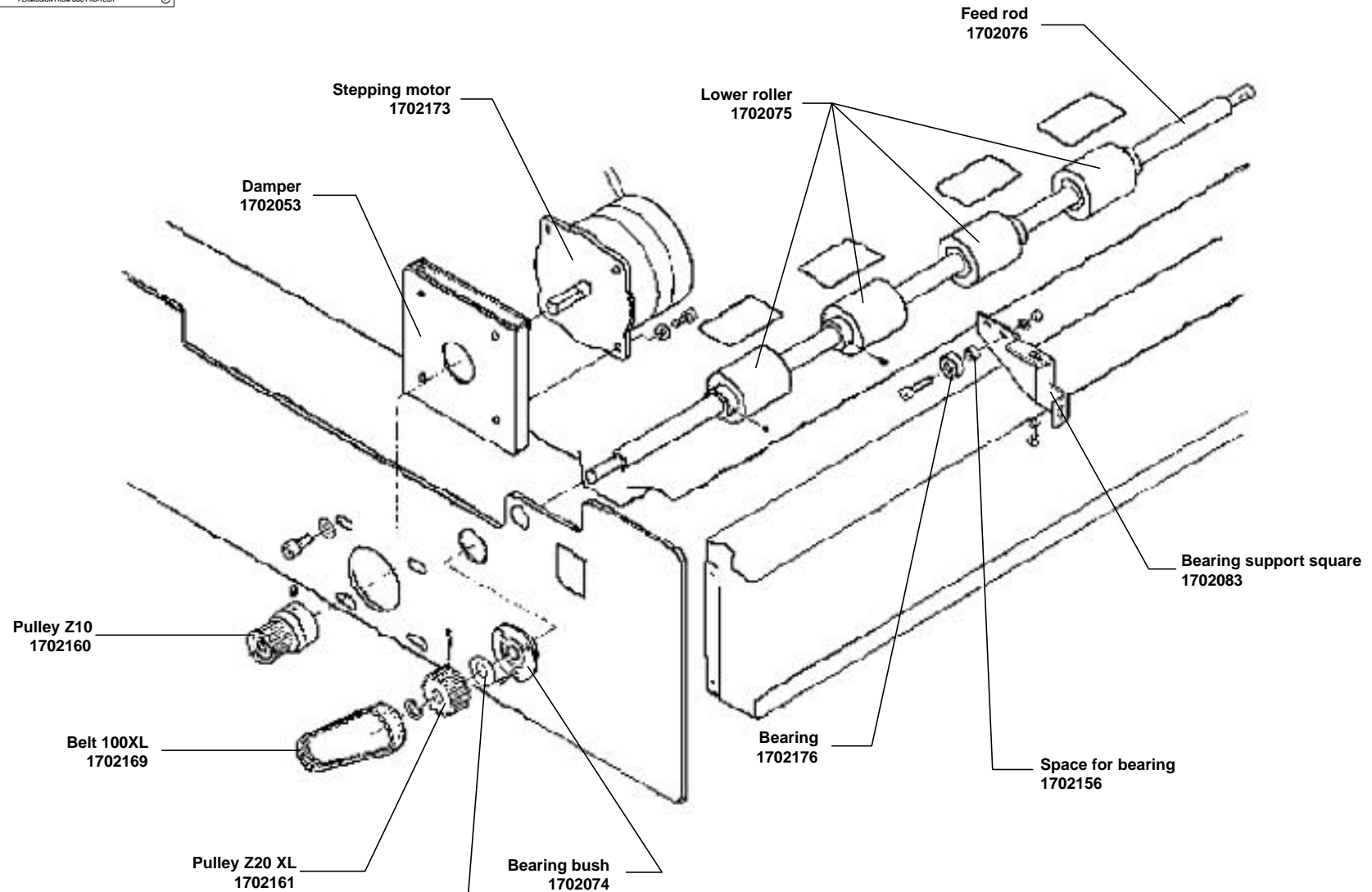
GENERATOR	DRAWN	CHECKED	APPROVED
BY	BY	BY	BY
DATE	DATE	DATE	DATE

PROPRIETARY
 GBC PRO-TECH CLAIMS PROPRIETARY RIGHTS TO THE MATERIAL DISCLOSED ON THIS DRAWING. IT IS ISSUED IN CONFIDENCE FOR ENGINEERING INFORMATION ONLY AND SHALL NOT BE REPRODUCED, COPIED OR DISCLOSED IN WHOLE OR IN PART, OR USED FOR MANUFACTURE OR FOR ANY OTHER PURPOSE WITHOUT WRITTEN PERMISSION FROM GBC PRO-TECH

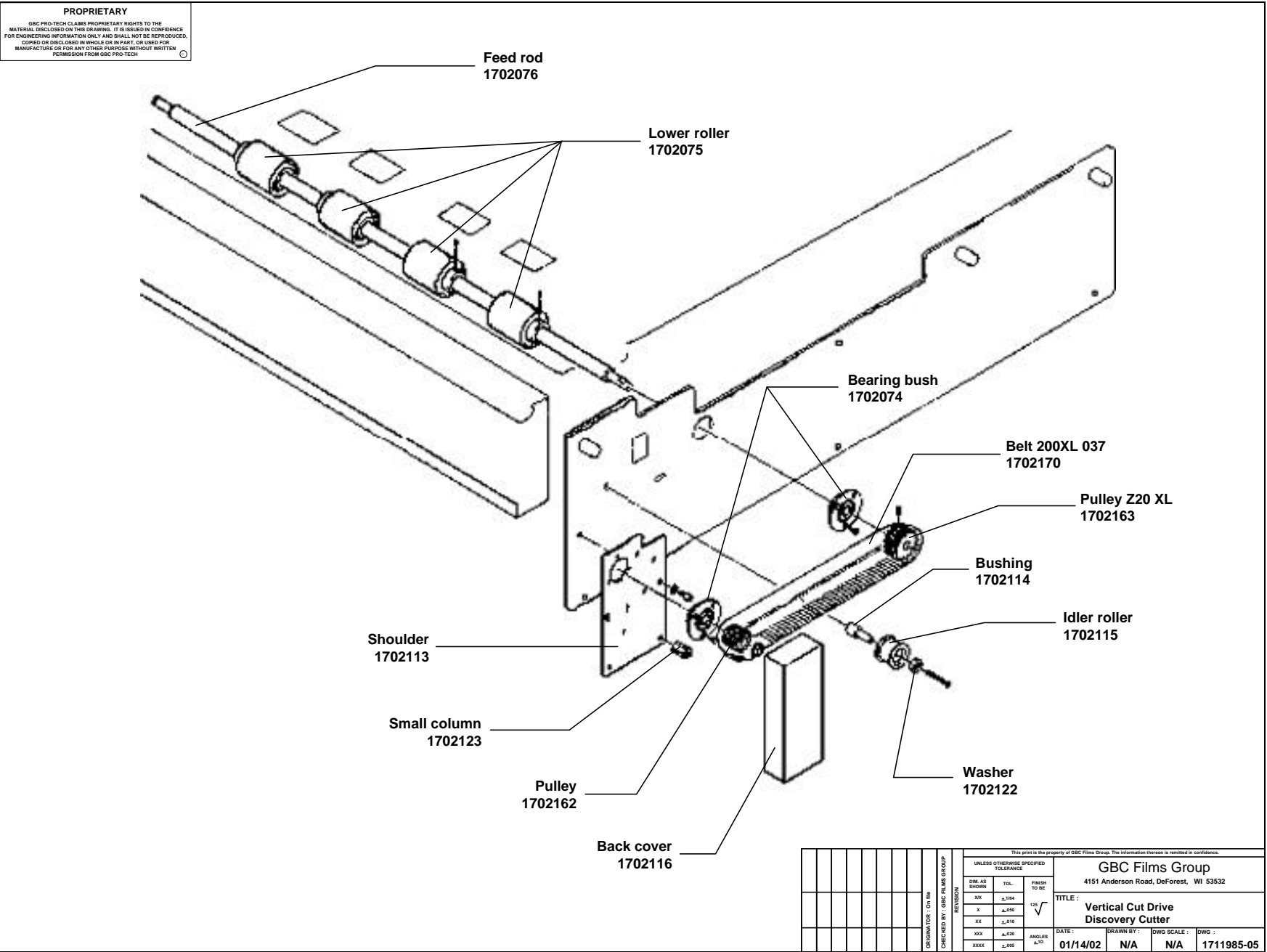


UNLESS OTHERWISE SPECIFIED TOLERANCE				GBC Films Group 4151 Anderson Road, DeForest, WI 53532			
DIM. AS SHOWN	TOL.	FINISH TO BE	TITLE: Position sensor rod Discovery Cutter				
XX	±.154	125	DATE:	DRAWN BY:	DWG SCALE:	DWG:	
X	±.050	✓	01/14/02	N/A	N/A	1711985-03	
XX	±.010						
XXX	±.020	ANGLES					
XXXX	±.005	±.01					

PROPRIETARY
 GBC PRO-TECH CLAIMS PROPRIETARY RIGHTS TO THE MATERIAL DISCLOSED ON THIS DRAWING. IT IS ISSUED IN CONFIDENCE FOR ENGINEERING INFORMATION ONLY AND SHALL NOT BE REPRODUCED, COPIED OR DISCLOSED IN WHOLE OR IN PART, OR USED FOR MANUFACTURE OR FOR ANY OTHER PURPOSE WITHOUT WRITTEN PERMISSION FROM GBC PRO-TECH.



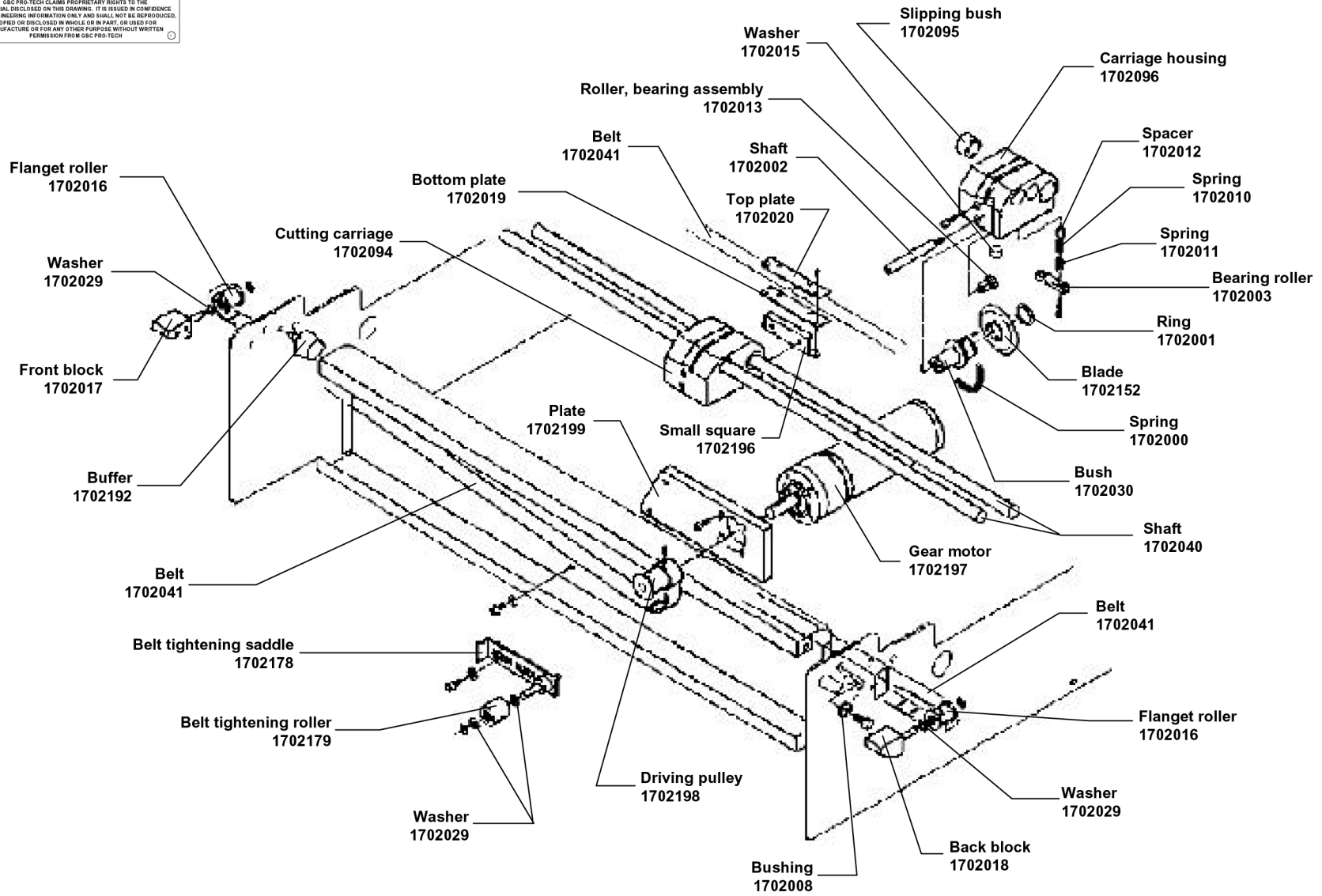
UNLESS OTHERWISE SPECIFIED TOLERANCE				GBC Films Group 4151 Anderson Road, DeForest, WI 53532			
DIM. AS SHOWN	TOL.	FRESH TO SET		TITLE: Transport rollers drive Discovery Cutter			
ØK	±.164	120	✓	DATE: 01/14/02	DRAWN BY: N/A	DWG SCALE: N/A	DWG: 1711985-04
X	±.050						
XX	±.010						
XXX	±.020	ANGLES A,10					
XXXX	±.005						



UNLESS OTHERWISE SPECIFIED TOLERANCE				FINISH TO BE			
DWG. AS SHOWN	TOL.			125	√		
XX	±.154						
X	±.150						
XX	±.110						
XXX	±.050	ANGLES		±.1°			
XXXX	±.005						
GBC FILMS GROUP				GBC Films Group			
4151 Anderson Road, DeForest, WI 53532				TITLE: Vertical Cut Drive Discovery Cutter			
DATE:	DRAWN BY:	DWG. SCALE:	DWG. NO.:	DATE:	DRAWN BY:	DWG. SCALE:	DWG. NO.:
01/14/02	N/A	N/A	1711985-05				

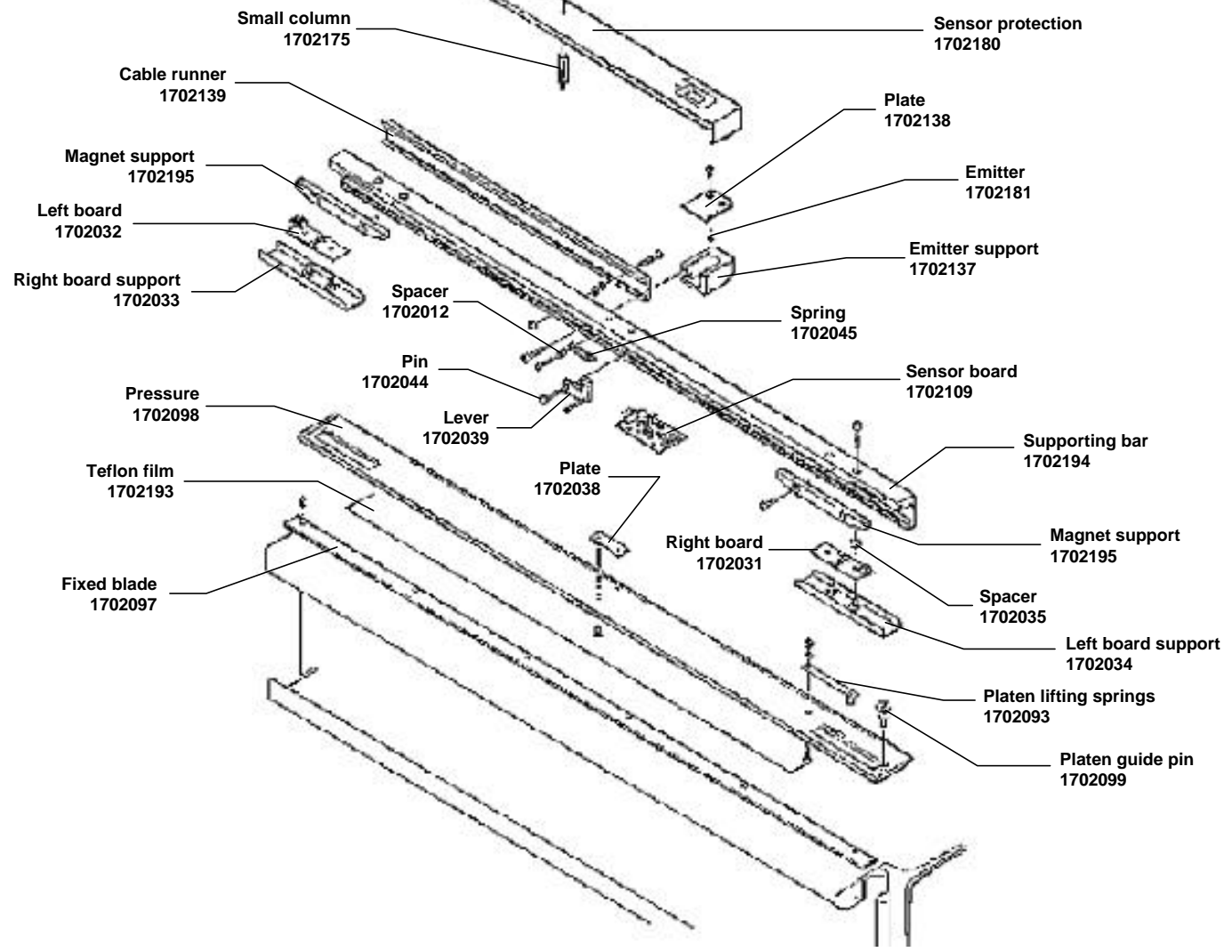
Complete carriage assy # 1722881

PROPRIETARY
 GBC PRO-TECH CLAIMS PROPRIETARY RIGHTS TO THE MATERIAL DISCLOSED ON THIS DRAWING. IT IS ISSUED IN CONFIDENCE FOR ENGINEERING INFORMATION ONLY AND SHALL NOT BE REPRODUCED, COPIED OR DISCLOSED IN WHOLE OR IN PART, OR USED FOR MANUFACTURE OR FOR ANY OTHER PURPOSE WITHOUT WRITTEN PERMISSION FROM GBC PRO-TECH.

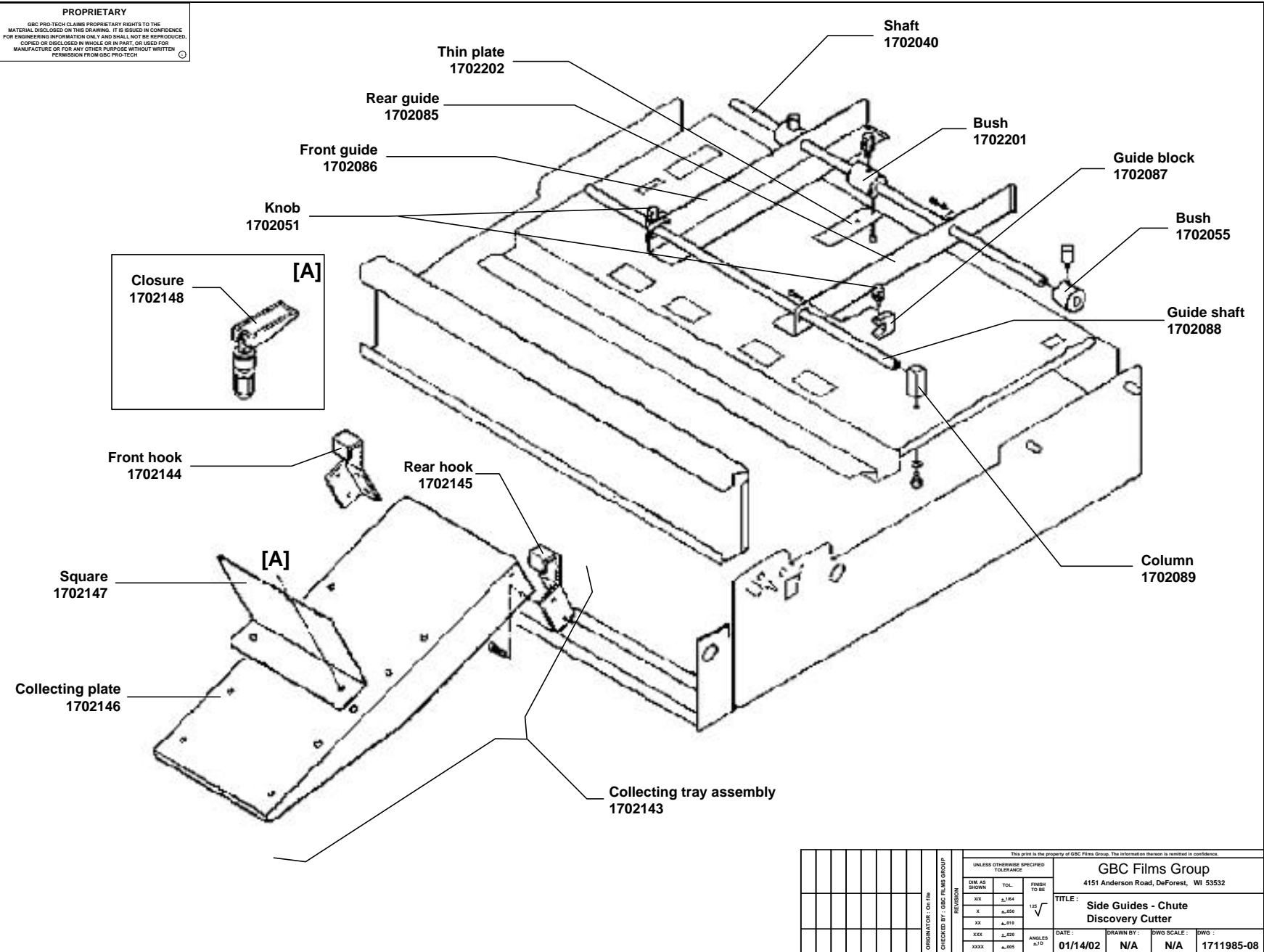


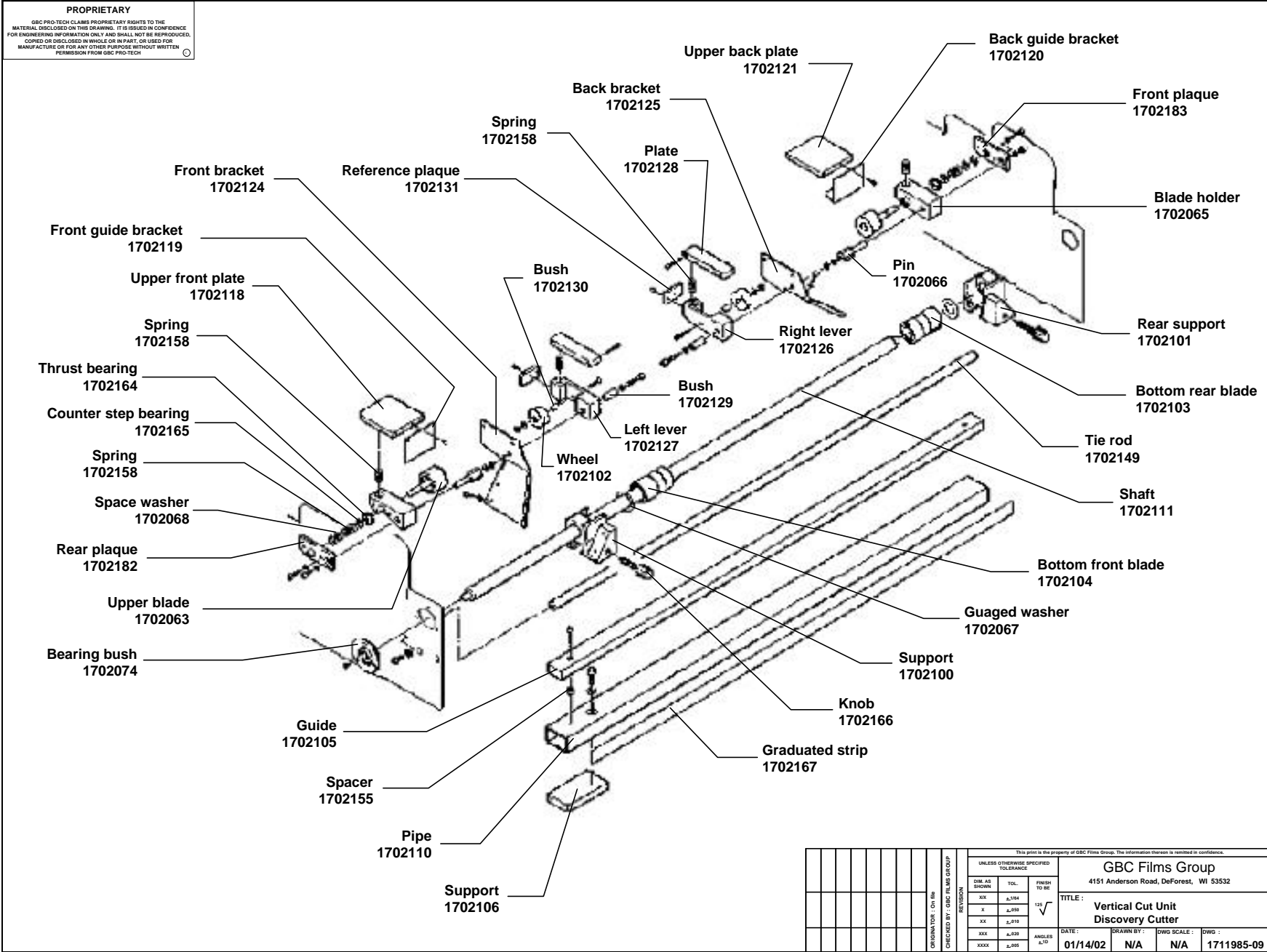
UNLESS OTHERWISE SPECIFIED TOLERANCE									
DIR. AS SHOWN	TOL.	FINISH TO BE	GBC Films Group 4151 Anderson Road, DeForest, WI 53532						
XX	-0.184	112	TITLE: Horizontal Cut Discovery Cutter						
X	-0.250		DATE: 01/14/02	DRAWN BY: N/A	DWG SCALE: N/A	DWG: 1711985-06			
XX	-0.210								
XXX	-0.250	ANGLES * 10							
XXXX	-0.250								

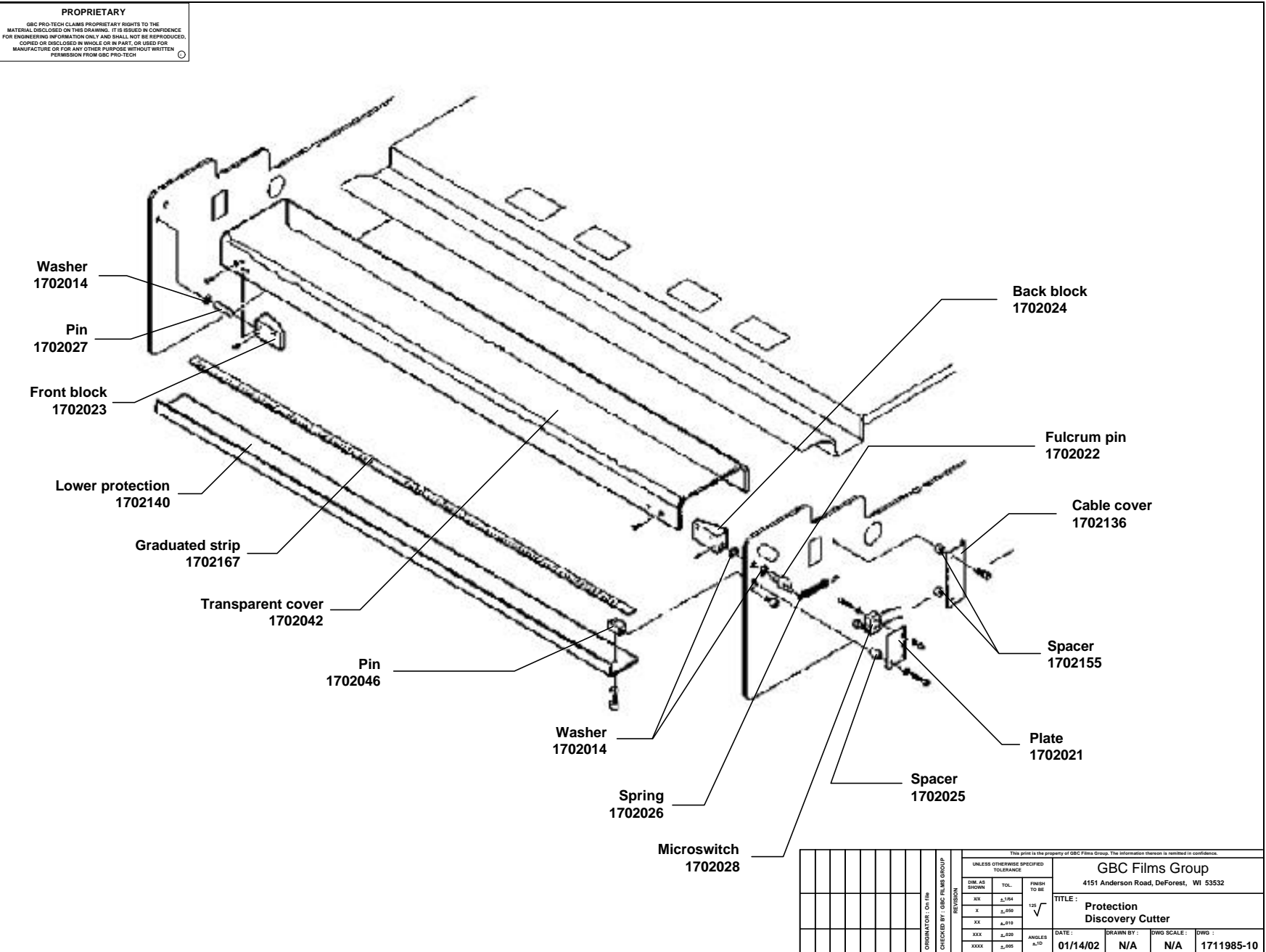
PROPRIETARY
 GBC PRO-TECH CLAIMS PROPRIETARY RIGHTS TO THE MATERIAL DISCLOSED ON THIS DRAWING. IT IS ISSUED IN CONFIDENCE FOR ENGINEERING INFORMATION ONLY AND SHALL NOT BE REPRODUCED, COPIED OR DISCLOSED IN WHOLE OR IN PART, OR USED FOR MANUFACTURE OR FOR ANY OTHER PURPOSE WITHOUT WRITTEN PERMISSION FROM GBC PRO-TECH



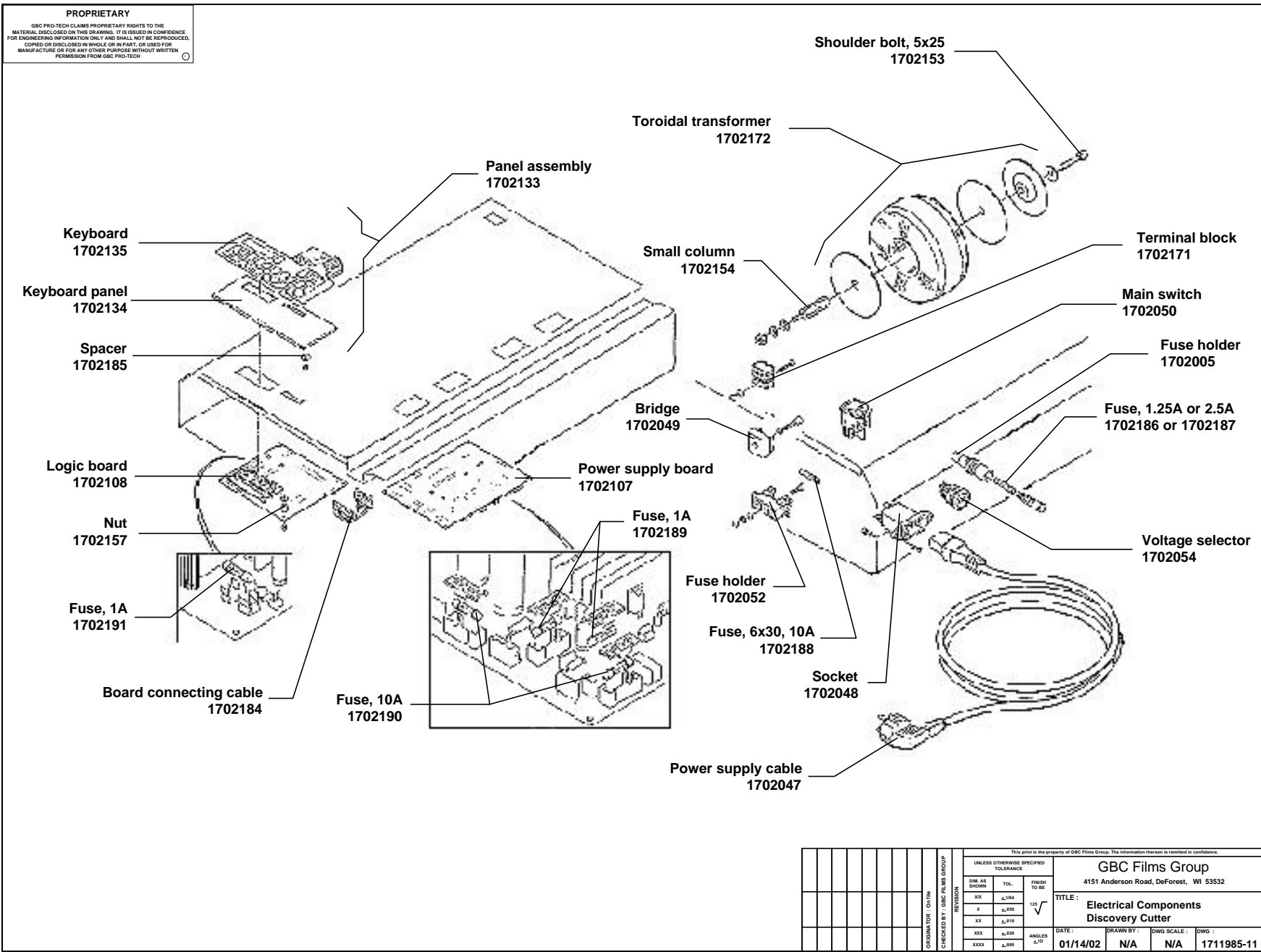
UNLESS OTHERWISE SPECIFIED TOLERANCE			GBC Films Group 4151 Anderson Road, DeForest, WI 53532	
DIM. AS SHOWN	TOL.	FRESH TO BE	TITLE: Pressure Plate - Limit Switch Discovery Cutter	
XX	±.164	125 ✓	DATE: 01/14/02	DRAWN BY: N/A
X	±.059		DWG SCALE: N/A	DWG: 1711985-07
XX	±.015			
XXX	±.020	ANGLES ±.375		
XXXX	±.005			





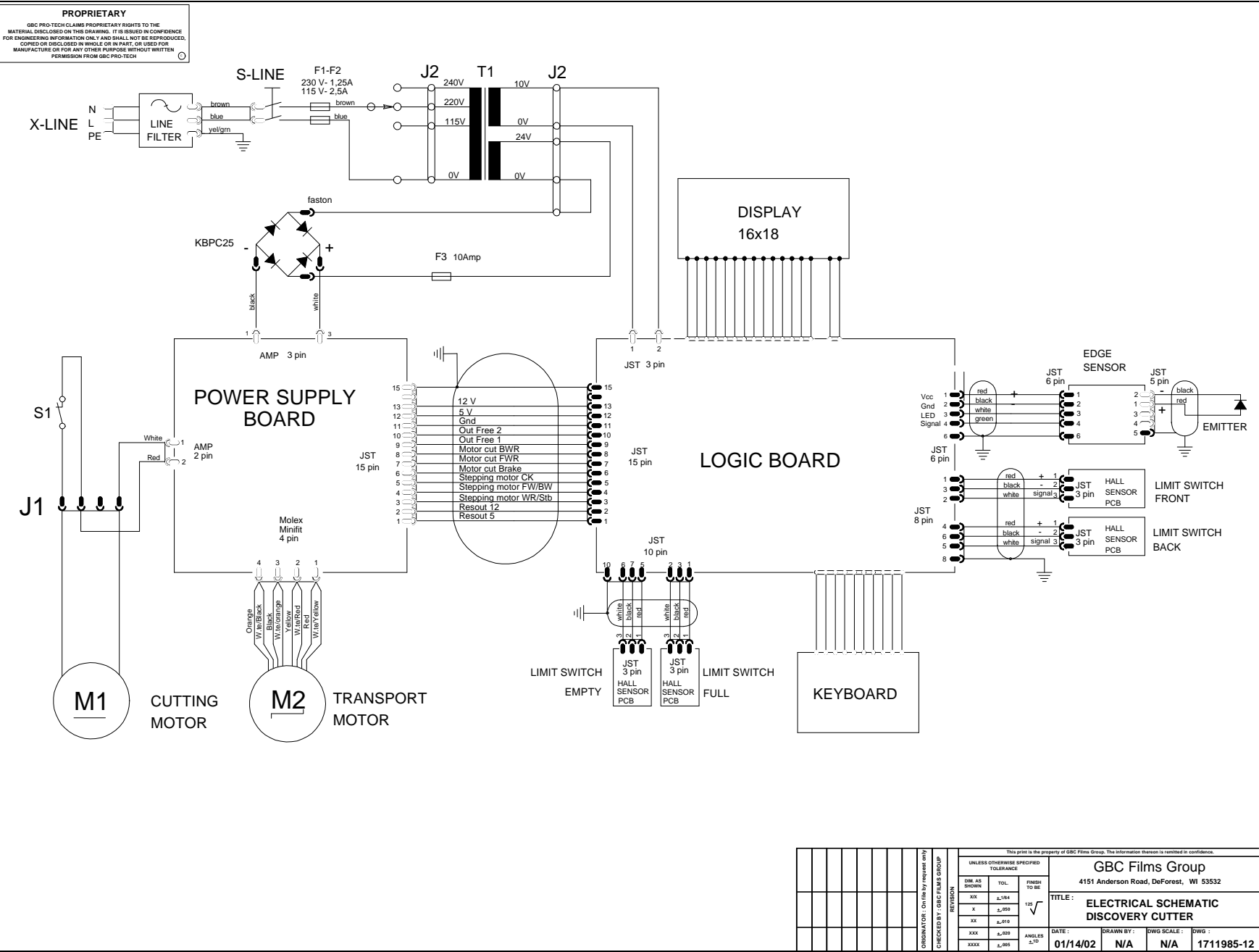


UNLESS OTHERWISE SPECIFIED TOLERANCE				GBC Films Group 4151 Anderson Road, DeForest, WI 53532			
DIM. AS SHOWN	TOL.	FRESH TO SET		TITLE:	Protection Discovery Cutter		
0/0	±.164	120	✓	DATE:	01/14/02	DRAWN BY:	N/A
X	±.050			DWG SCALE:	N/A	DWG:	1711985-10
XX	±.010						
XXX	±.020	ANGLES	A ₁₀				
XXXX	±.005						



PROPRIETARY
 GBC PRO-TECH CLAIMS PROPRIETARY RIGHTS TO THE MATERIAL ENCLOSED ON THIS DRAWING. IT IS ISSUED IN CONFIDENCE FOR ENGINEERING INFORMATION ONLY AND SHALL NOT BE REPRODUCED, COPIED OR ENCLOSED IN WHOLE OR IN PART, OR USED FOR MANUFACTURE OR FOR ANY OTHER PURPOSE WITHOUT WRITTEN PERMISSION FROM GBC PRO-TECH

UNLESS OTHERWISE SPECIFIED TOLERANCE			GBC Films Group 4151 Anderson Road, DeForest, WI 53532		
DIM. AS SHOWN	TOL.	FINISH TO BE	TITLE: Electrical Components Discovery Cutter		
XX	±.004	125	DATE: 01/14/02	DRAWN BY: N/A	DWG SCALE: N/A
X	±.010	✓	DWG: 1711985-11		
XX	±.010				
XXX	±.030				
XXXX	±.060				
REVISION					
GENERATOR: CONT'D					
CHECKED BY: GBC FILMS GROUP					



UNLESS OTHERWISE SPECIFIED TOLERANCE		FINISH TO BE	
DWG AS SHOWN	TOL.	125	
XX	±.184		
X	±.050		
XX	±.010		
XXX	±.020		
XXXX	±.005		

This print is the property of GBC Films Group. The information therein is revealed in confidence.			
GBC Films Group			
4151 Anderson Road, DeForest, WI 53532			
TITLE: ELECTRICAL SCHEMATIC DISCOVERY CUTTER			
DATE:	DRAWN BY:	DWG SCALE:	DWG:
01/14/02	N/A	N/A	1711985-12



General Binding Corporation
One GBC Plaza
Northbrook, IL 60062-4195