



DIGITAL CUTTER Parts List



GBC IS AN ACCO BRANDS COMPANY

Digital Cutter
Illustrated Parts Booklet
(7301500)

© GBC Films Group, July 2000
Do not duplicate without written permission

Booklet #: DCPB001A

GBC Films Group
4151 Anderson Road
DeForest, WI 53532
Ph: (608) 246 - 8844
Fx: (608) 246 - 8645

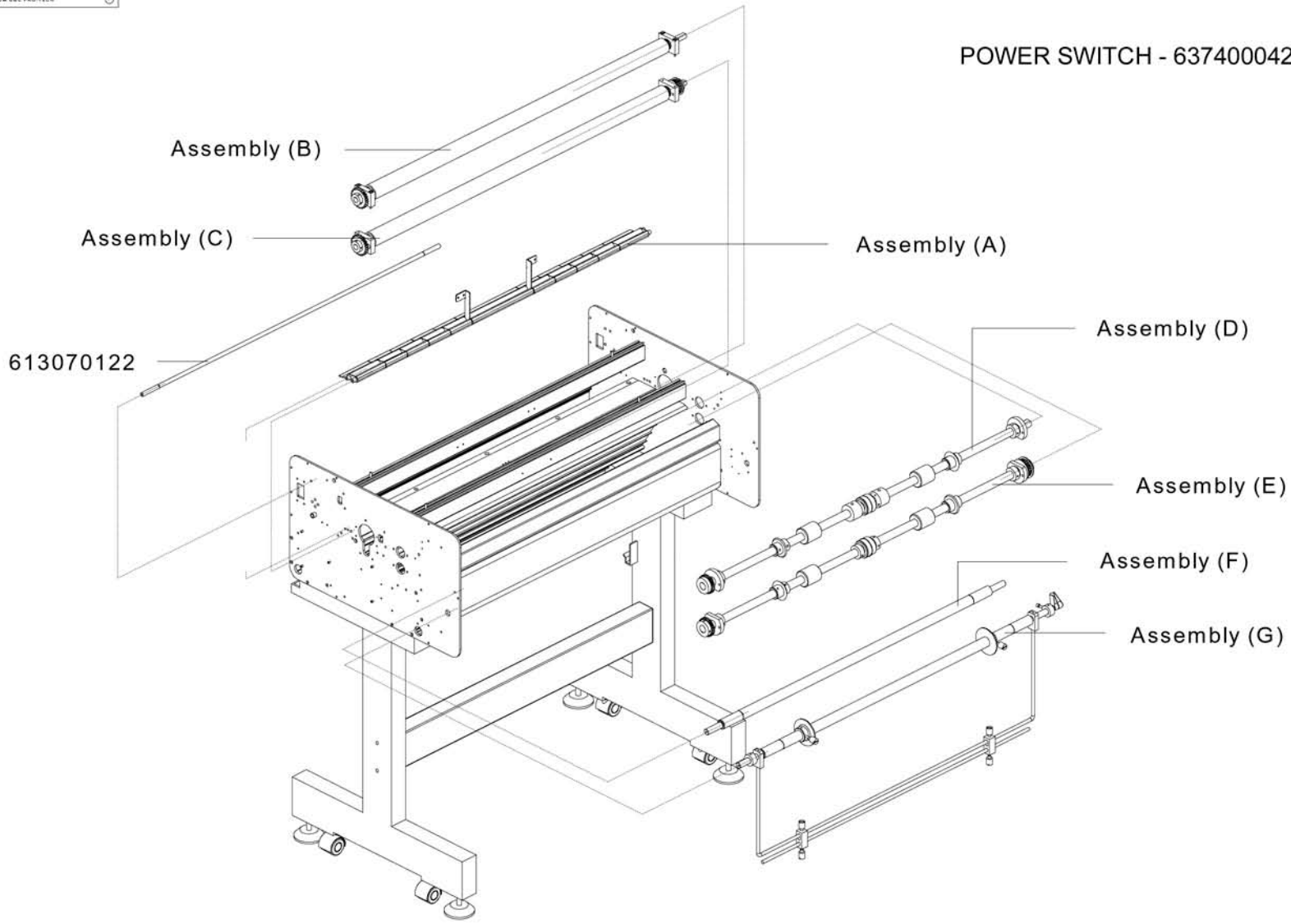
Links to Content

Drawing number :	Drawing Title:	Page number:
DC - 001	Assembly listings	1 - 1
DC - 002	Cutting head assembly	1 - 2
DC - 003	Right side components	1 - 3
DC - 004	Left side components	1 - 4
DC - 005	Shield and covers	1 - 5
DC - 006	Catch table	1 - 6
DC - 007	Optional rewind assembly	1 - 7
DC - 008	Hold finger assembly	1 - 8
DC - 009	Upper feed roller assembly	1 - 9
DC - 010	Lower feed lower assembly	1 - 10
DC - 011	Upper feed slitter idler	1 - 11
DC - 012	Lower feed slitter idler	1 - 12
DC - 013	Feed web idler	1 - 13
DC - 014	Shortage bar assembly	1 - 14
DC - 015	Rotary cutting head unit	1 - 15
DC - 016	Optical sensor assembly	1 - 16
DC - 017	Crop mark reader assembly	1 - 17
DC - 018	Cutting head sensor	1 - 18
DC - 019	Rewind drive assembly	1 - 19
DC - 020	Rewind shaft assembly	1 - 20
DC - 021	Safety shield assembly	1 - 21

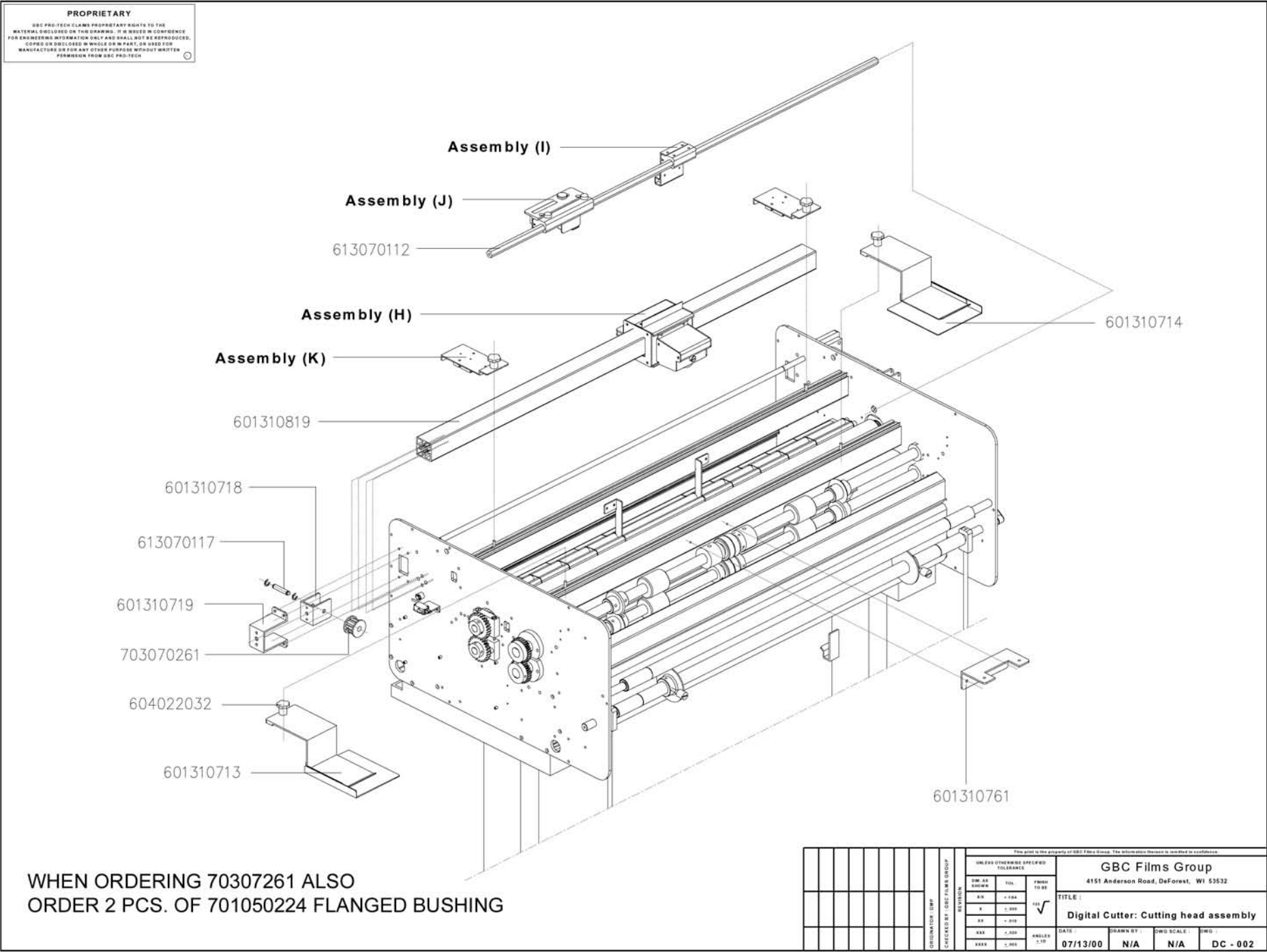
POWER SWITCH - 637400042

PROPRIETARY

GBC PRO-TECH CLAIMS PROPRIETARY RIGHTS TO THE MATERIAL ENCLOSED ON THIS DRAWING. IT IS HEREBY IN CONFIDENCE FOR ENGINEERING INFORMATION ONLY AND SHALL NOT BE REPRODUCED, COPIED OR DISCLOSED IN WHOLE OR IN PART, OR USED FOR MANUFACTURE OR FOR ANY OTHER PURPOSE WITHOUT WRITTEN PERMISSION FROM GBC PRO-TECH.



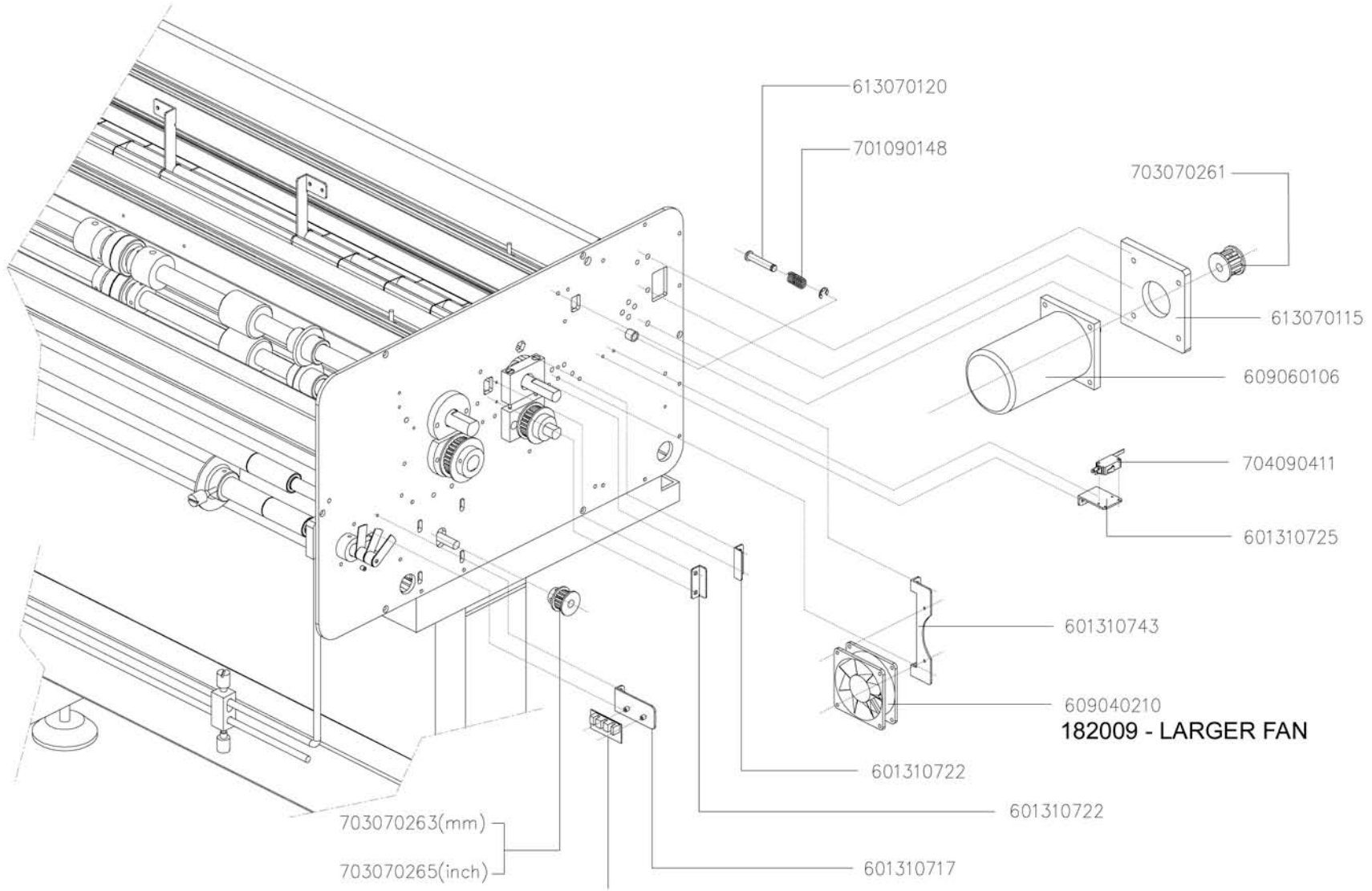
UNLESS OTHERWISE SPECIFIED TOLERANCES				THIS DRAWING IS THE PROPERTY OF GBC FILMS GROUP. THE INFORMATION HEREON IS UNCLASSIFIED.			
SM-XX	±.154	FRACTION TO BE		GBC Films Group 4151 Anderson Road, DeForest, WI 53532			
XX	±.154		√	TITLE: Digital Cutter: Assembly list			
XX	±.154			DATE	DRAWN BY	DWG SCALE	DWG NO
XX	±.154	ANGLES	±.10	07/12/00	N/A	N/A	DC - 001
XXXX	±.154						



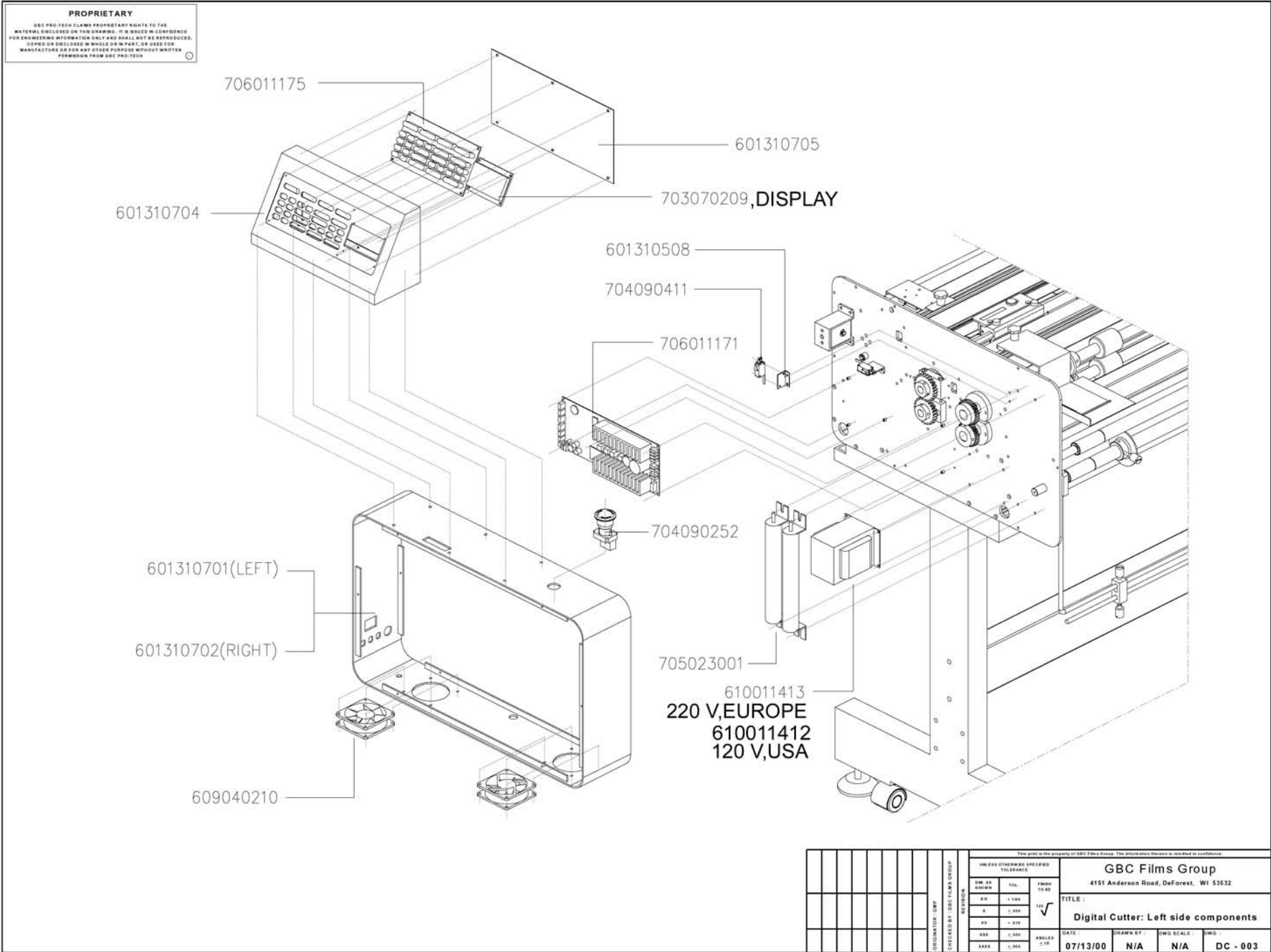
UNLESS OTHERWISE SPECIFIED TOLERANCES				GBC Films Group 4151 Anderson Road, DeForest, WI 53532			
FIN. AS	FRA.	FRA.	FRA.	TITLE :			
MM	FRAC	MM	MM	Digital Cutter: Cutting head assembly			
XX	1/64	XX	XX	DATE	DRAWN BY	DWG SCALE	DWG
X	0.001	X	XX	07/13/00	N/A	N/A	DC - 002
XX	0.010	XX	XX				
XXX	0.020	XXX	XXX				
XXXX	0.050	XXXX	XXXX				
ANGLES				DATE			
3.15				DRAWN BY			
				DWG SCALE			
				Dwg			

703070245 - CUTTER HEAD DRIVE BELT
 703070246 - PULLROLLER DRIVE BELT

PROPRIETARY
 GBC PRO-TECH CLAIMS PROPRIETARY RIGHTS TO THE MATERIAL ENCLOSED ON THIS DRAWING. IT IS REQUESTED IN CONFIDENCE FOR ENGINEERING INFORMATION ONLY AND SHALL NOT BE REPRODUCED, COPIED OR DISCLOSED IN WHOLE OR IN PART, OR USED FOR MANUFACTURE OR FOR ANY OTHER PURPOSE WITHOUT WRITTEN PERMISSION FROM GBC PRO-TECH.

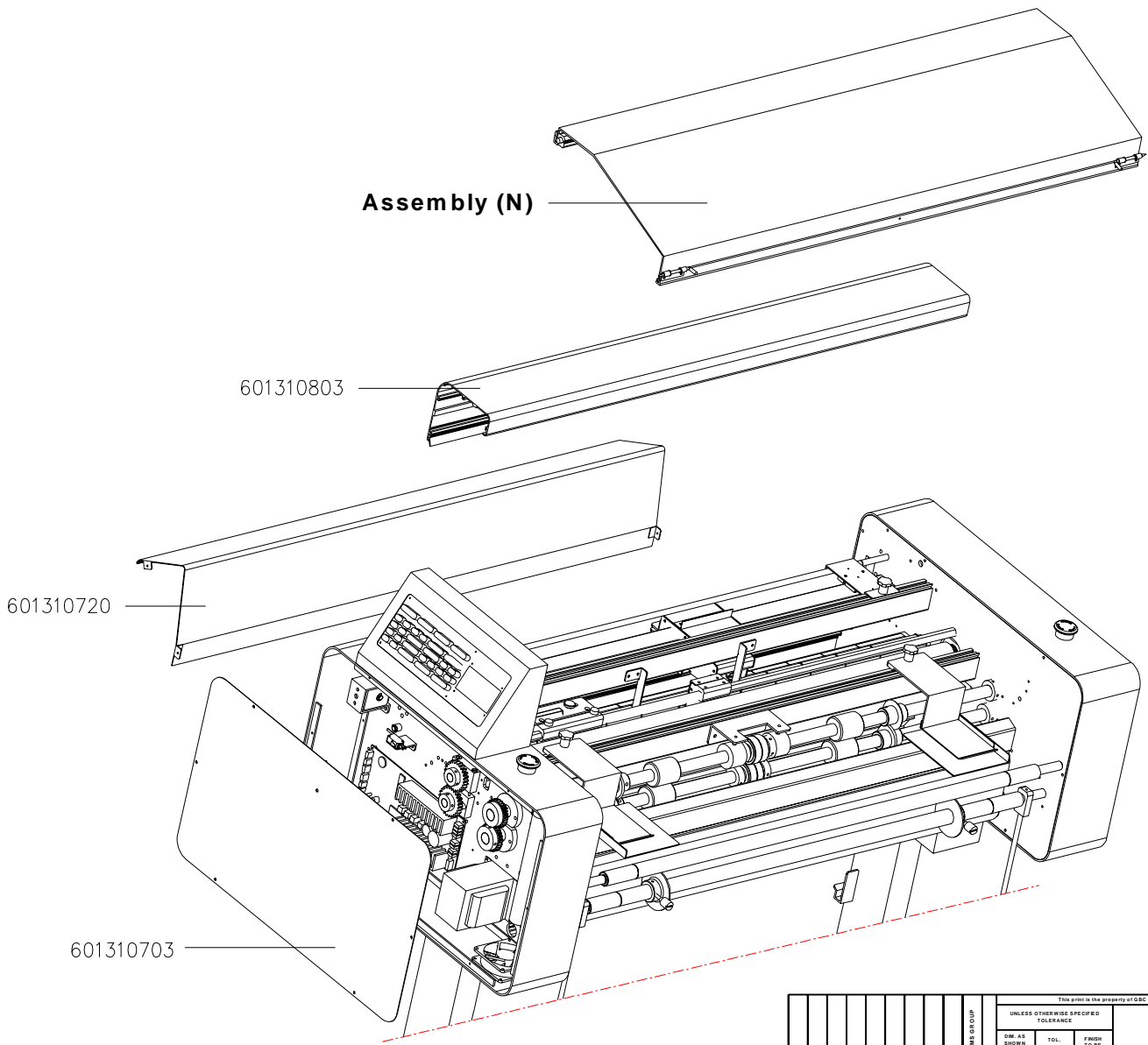


UNLESS OTHERWISE SPECIFIED TOLERANCE:				The user is the property of GBC Films Group. The information herein is intended in confidence.			
FINISH TO BE	XXX	XX	XX	XX	XX	XX	XX
DATE	07/13/00	DRAWN BY	N/A	DWG SCALE	N/A	DWG	DC - 003
GBC Films Group 4151 Anderson Road, DeForest, WI 53532				TITLE: Digital Cutter: Right side components			



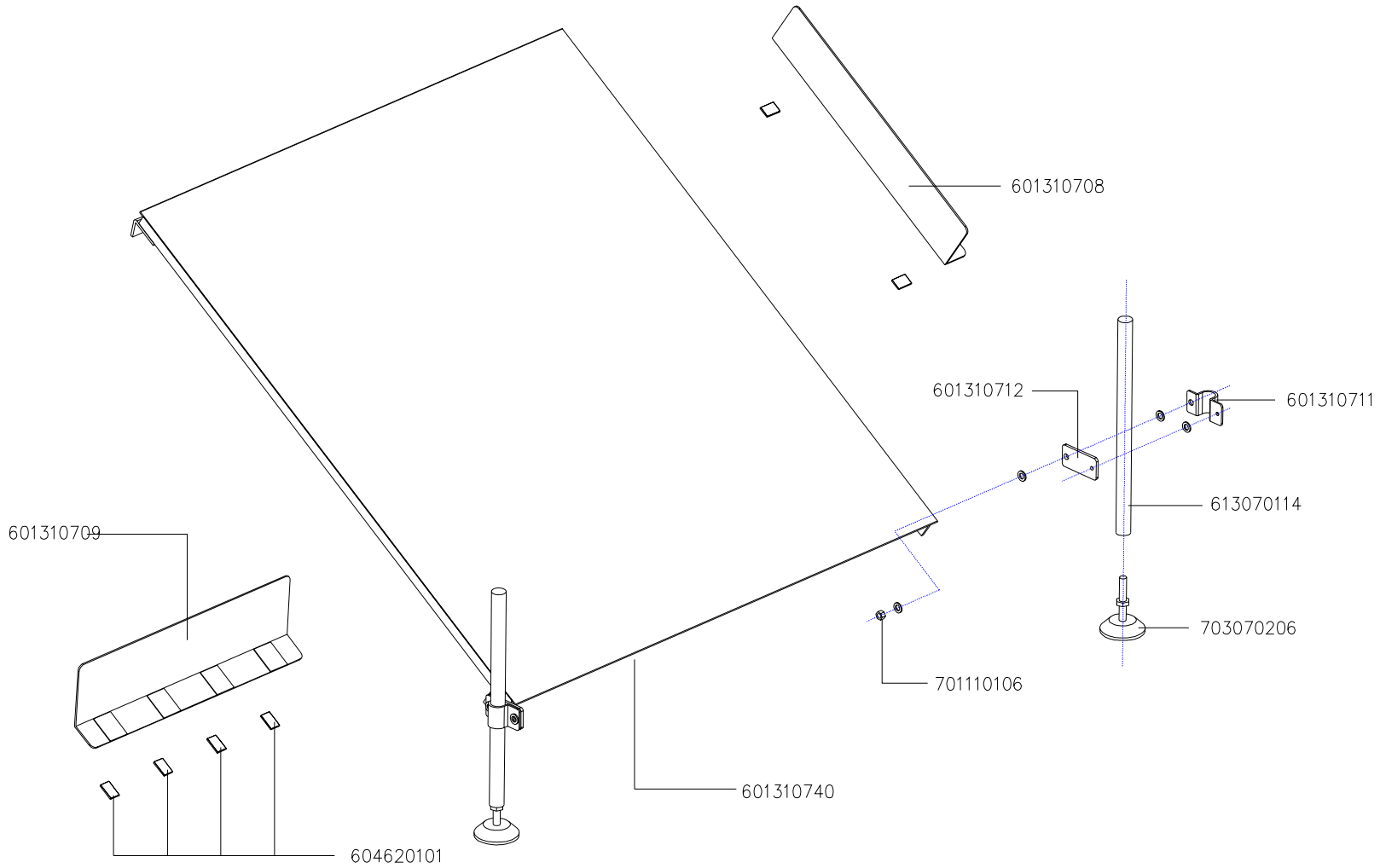
UNLESS OTHERWISE SPECIFIED TOLERANCE		GBC Films Group 4151 Anderson Road, DeForest, WI 53532	
MM AS DIMENSION	FRACTION TO 32	TITLE: Digital Cutter: Left side components	
XX	+ .004	DATE	DRAWN BY
X	± .000	07/13/00	N/A
XX	-.010	DWG SCALE	N/A
XXX	± .020	ANGLES	DC - 003
XXXX	± .050	3:10	

PROPRIETARY
 GBC PRO-TECH CLAIMS PROPRIETARY RIGHTS TO THE MATERIAL DISCLOSED ON THIS DRAWING. IT IS ISSUED IN CONFIDENCE FOR ENGINEERING INFORMATION ONLY AND SHALL NOT BE REPRODUCED, COPIED OR DISCLOSED IN WHOLE OR IN PART, OR USED FOR MANUFACTURE OR FOR ANY OTHER PURPOSE WITHOUT WRITTEN PERMISSION FROM GBC PRO-TECH

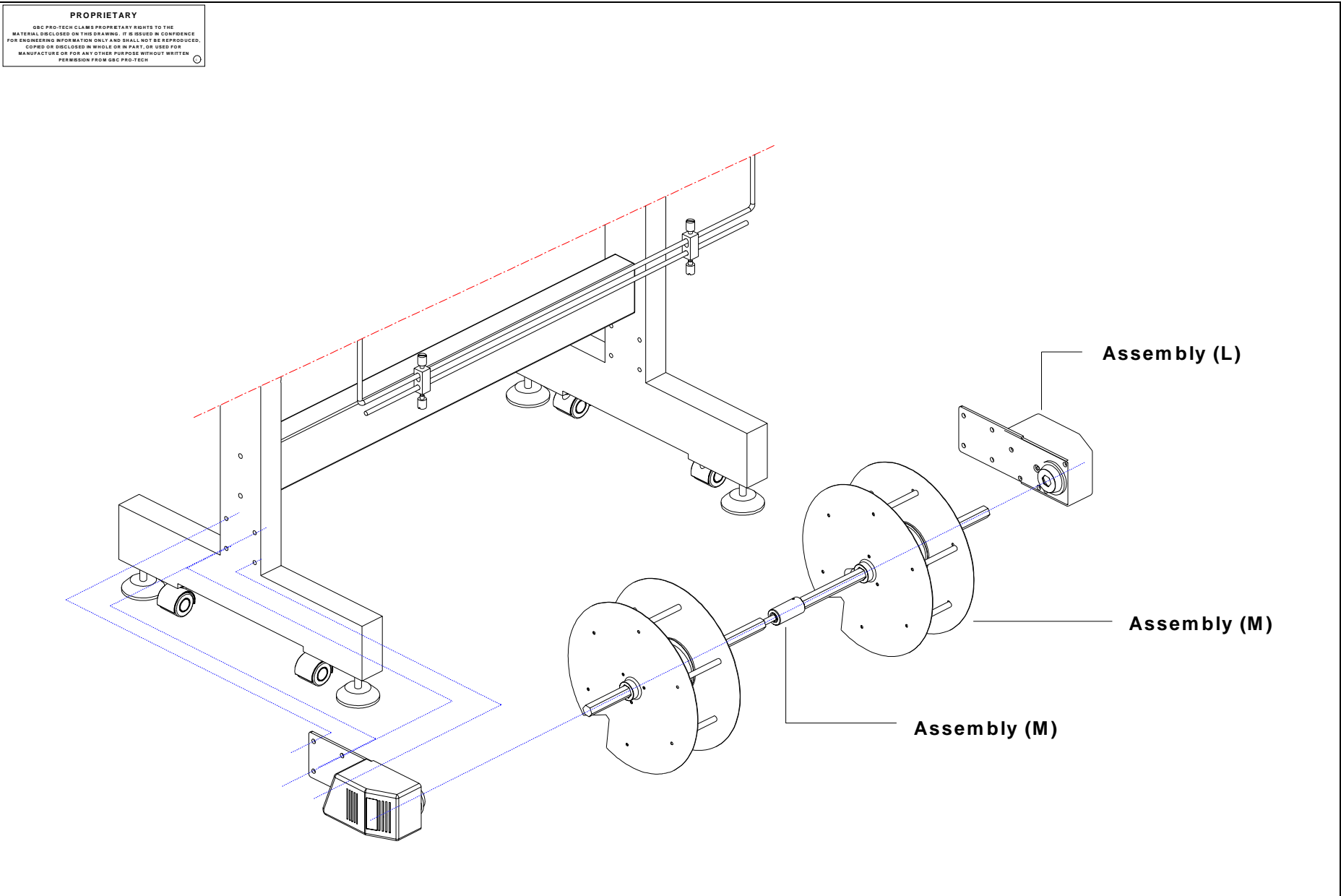


UNLESS OTHERWISE SPECIFIED TOLERANCE				DATE: 07/13/00			
DM. AS SHOWN	TOL.	FINISH TO BE	125	DRAWN BY: N/A		DWG SCALE: N/A	DWG: DC - 005
XX	±.154	✓	125	GBC Films Group			
X	±.459			4151 Anderson Road, DeForest, WI 53532			
XX	±.919	TITLE: Digital Cutter: Covers and shield					
XXX	±.420	ANGLES: ±15		DRAWN BY: N/A			
XXXX	±.465			DWG SCALE: N/A			
REVISIONS				DATE: 07/13/00			
				DRAWN BY: N/A			
				DWG SCALE: N/A			
				DATE: 07/13/00			
				DRAWN BY: N/A			
				DWG SCALE: N/A			
				DATE: 07/13/00			
				DRAWN BY: N/A			
				DWG SCALE: N/A			
				DATE: 07/13/00			
				DRAWN BY: N/A			
				DWG SCALE: N/A			
				DATE: 07/13/00			
				DRAWN BY: N/A			
				DWG SCALE: N/A			
				DATE: 07/13/00			
				DRAWN BY: N/A			
				DWG SCALE: N/A			
				DATE: 07/13/00			
				DRAWN BY: N/A			
				DWG SCALE: N/A			
				DATE: 07/13/00			
				DRAWN BY: N/A			
				DWG SCALE: N/A			
				DATE: 07/13/00			
				DRAWN BY: N/A			
				DWG SCALE: N/A			
				DATE: 07/13/00			
				DRAWN BY: N/A			
				DWG SCALE: N/A			
				DATE: 07/13/00			
				DRAWN BY: N/A			
				DWG SCALE: N/A			
				DATE: 07/13/00			
				DRAWN BY: N/A			
				DWG SCALE: N/A			
				DATE: 07/13/00			
				DRAWN BY: N/A			
				DWG SCALE: N/A			
				DATE: 07/13/00			
				DRAWN BY: N/A			
				DWG SCALE: N/A			
				DATE: 07/13/00			
				DRAWN BY: N/A			
				DWG SCALE: N/A			
				DATE: 07/13/00			
				DRAWN BY: N/A			
				DWG SCALE: N/A			
				DATE: 07/13/00			
				DRAWN BY: N/A			
				DWG SCALE: N/A			
				DATE: 07/13/00			
				DRAWN BY: N/A			
				DWG SCALE: N/A			
				DATE: 07/13/00			
				DRAWN BY: N/A			
				DWG SCALE: N/A			
				DATE: 07/13/00			
				DRAWN BY: N/A			
				DWG SCALE: N/A			
				DATE: 07/13/00			
				DRAWN BY: N/A			
				DWG SCALE: N/A			
				DATE: 07/13/00			
				DRAWN BY: N/A			
				DWG SCALE: N/A			
				DATE: 07/13/00			
				DRAWN BY: N/A			
				DWG SCALE: N/A			
				DATE: 07/13/00			
				DRAWN BY: N/A			
				DWG SCALE: N/A			
				DATE: 07/13/00			
				DRAWN BY: N/A			
				DWG SCALE: N/A			
				DATE: 07/13/00			
				DRAWN BY: N/A			
				DWG SCALE: N/A			
				DATE: 07/13/00			
				DRAWN BY: N/A			
				DWG SCALE: N/A			
				DATE: 07/13/00			
				DRAWN BY: N/A			
				DWG SCALE: N/A			
				DATE: 07/13/00			
				DRAWN BY: N/A			
				DWG SCALE: N/A			
				DATE: 07/13/00			
				DRAWN BY: N/A			
				DWG SCALE: N/A			
				DATE: 07/13/00			
				DRAWN BY: N/A			
				DWG SCALE: N/A			
				DATE: 07/13/00			
				DRAWN BY: N/A			
				DWG SCALE: N/A			
				DATE: 07/13/00			
				DRAWN BY: N/A			
				DWG SCALE: N/A			
				DATE: 07/13/00			
				DRAWN BY: N/A			
				DWG SCALE: N/A			
				DATE: 07/13/00			
				DRAWN BY: N/A			
				DWG SCALE: N/A			
				DATE: 07/13/00			
				DRAWN BY: N/A			
				DWG SCALE: N/A			
				DATE: 07/13/00			
				DRAWN BY: N/A			
				DWG SCALE: N/A			
				DATE: 07/13/00			
				DRAWN BY: N/A			
				DWG SCALE: N/A			
				DATE: 07/13/00			
				DRAWN BY: N/A			
				DWG SCALE: N/A			
				DATE: 07/13/00			
				DRAWN BY: N/A			
				DWG SCALE: N/A			
				DATE: 07/13/00			
				DRAWN BY: N/A			
				DWG SCALE: N/A			
				DATE: 07/13/00			
				DRAWN BY: N/A			
				DWG SCALE: N/A			
				DATE: 07/13/00			
				DRAWN BY: N/A			
				DWG SCALE: N/A			
				DATE: 07/13/00			
				DRAWN BY: N/A			
				DWG SCALE: N/A			
				DATE: 07/13/00			
				DRAWN BY: N/A			
				DWG SCALE: N/A			
				DATE: 07/13/00			
				DRAWN BY: N/A			
				DWG SCALE: N/A			
				DATE: 07/13/00			
				DRAWN BY: N/A			
				DWG SCALE: N/A			
				DATE: 07/13/00			
				DRAWN BY: N/A			
				DWG SCALE: N/A			
				DATE: 07/13/00			
				DRAWN BY: N/A			
				DWG SCALE: N/A			
				DATE: 07/13/00			
				DRAWN BY: N/A			
				DWG SCALE: N/A			
				DATE: 07/13/00			
				DRAWN BY: N/A			
				DWG SCALE: N/A			
				DATE: 07/13/00			
				DRAWN BY: N/A			
				DWG SCALE: N/A			
				DATE: 07/13/00			
				DRAWN BY: N/A			
				DWG SCALE: N/A			
				DATE: 07/13/00			
				DRAWN BY: N/A			
				DWG SCALE: N/A			
				DATE: 07/13/00			
				DRAWN BY: N/A			
				DWG SCALE: N/A			
				DATE: 07/13/00			
				DRAWN BY: N/A			
				DWG SCALE: N/A			
				DATE: 07/13/00			
				DRAWN BY: N/A			
				DWG SCALE: N/A			
				DATE: 07/13/00			
				DRAWN BY: N/A			
				DWG SCALE: N/A			
				DATE: 07/13/00			
				DRAWN BY: N/A			
				DWG SCALE: N/A			
				DATE: 07/13/00			
				DRAWN BY: N/A			
				DWG SCALE: N/A			
				DATE: 07/13/00			
				DRAWN BY: N/A			
				DWG SCALE: N/A			
				DATE: 07/13/00			
				DRAWN BY: N/A			
				DWG SCALE: N/A			
				DATE: 07/13/00			
				DRAWN BY: N/A			
				DWG SCALE: N/A			
				DATE: 07/13/00			
				DRAWN BY: N/A			
				DWG SCALE: N/A			
				DATE: 07/13/00			
				DRAWN BY: N/A			
				DWG SCALE: N/A			
				DATE: 07/13/00			
				DRAWN BY: N/A			
				DWG SCALE: N/A			
				DATE: 07/13/00			
				DRAWN BY: N/A			
				DWG SCALE: N/A			
				DATE: 07/13/00			
				DRAWN BY: N/A			
				DWG SCALE: N/A			
				DATE: 07/13/00			
				DRAWN BY: N/A			
				DWG SCALE: N/A			
				DATE: 07/13/00			
				DRAWN BY: N/A			
				DWG SCALE: N/A			
				DATE: 07/13/00			
				DRAWN BY: N/A			
				DWG SCALE: N/A			
				DATE: 07/13/00			
				DRAWN BY: N/A			
				DWG SCALE: N/A			
				DATE: 07/13/00			
				DRAWN BY: N/A			
				DWG SCALE: N/A			
				DATE: 07/13/00			
				DRAWN BY: N/A			
				DWG SCALE: N/A			
				DATE: 07/13/00			

PROPRIETARY
 GBC PRO-TECH CLAIMS PROPRIETARY RIGHTS TO THE MATERIAL DISCLOSED ON THIS DRAWING. IT IS ISSUED IN CONFIDENCE FOR ENGINEERING INFORMATION ONLY AND SHALL NOT BE REPRODUCED, COPIED OR DISCLOSED IN WHOLE OR IN PART, OR USED FOR MANUFACTURE OR FOR ANY OTHER PURPOSE WITHOUT WRITTEN PERMISSION FROM GBC PRO-TECH



UNLESS OTHERWISE SPECIFIED TOLERANCE				The print is the property of GBC Films Group. The information therein is restricted in confidence.			
DM. AS SHOWN	TOL.	FINISH TO BE	GBC Films Group 4151 Anderson Road, DeForest, WI 53532				
XX	±.124	125	TITLE :				
X	±.050		Digital Cutter: Catch table				
XX	±.010	ANGLES 1/10	DATE :	DRAWN BY :	DWG SCALE :	DWG :	
XXX	±.005		07/13/00	N/A	N/A	DC - 006	



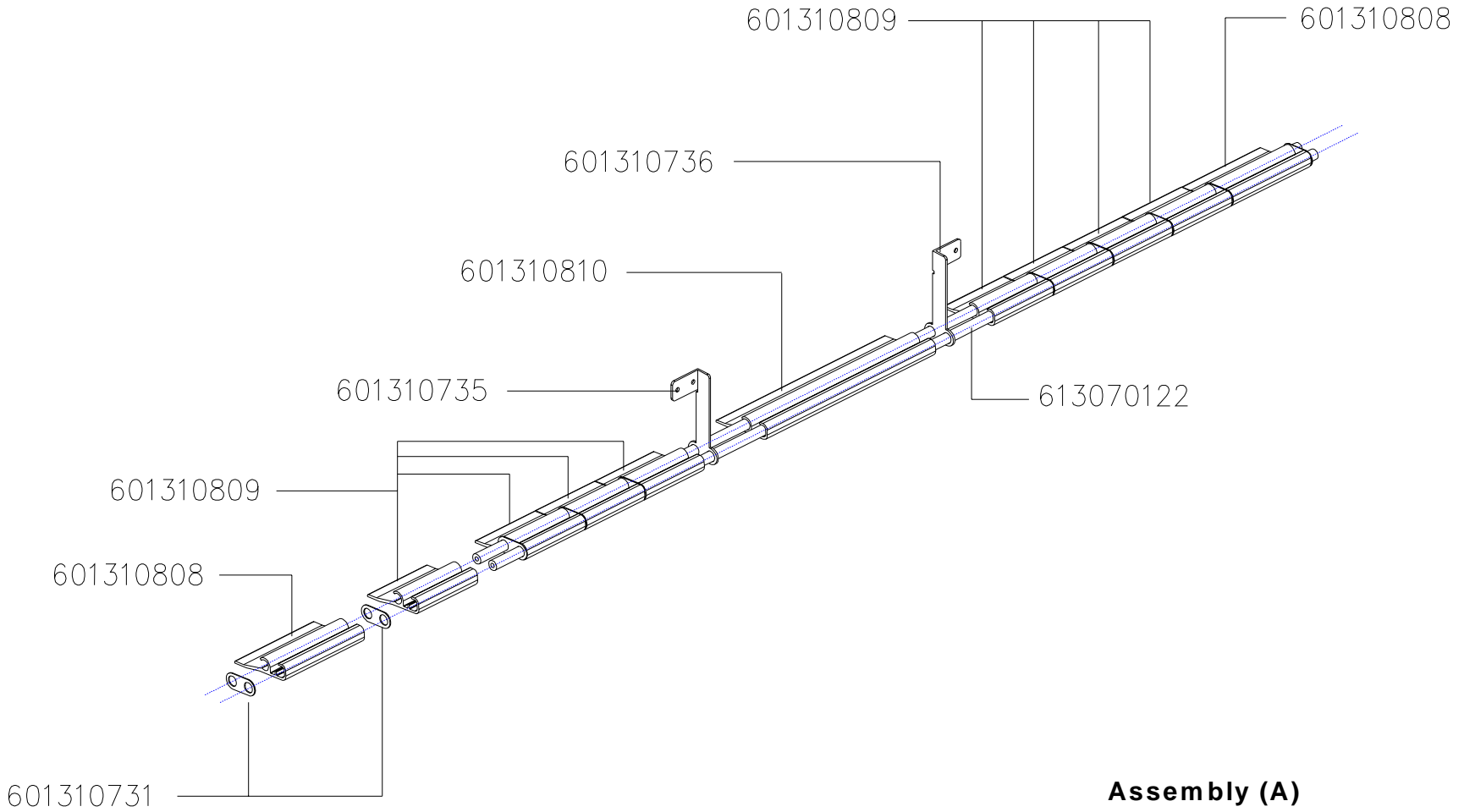
PROPRIETARY
 GBC PRO-TECH CLAIMS PROPRIETARY RIGHTS TO THE MATERIAL DISCLOSED ON THIS DRAWING. IT IS ISSUED IN CONFIDENCE FOR ENGINEERING INFORMATION ONLY AND SHALL NOT BE REPRODUCED, COPIED OR DISCLOSED IN WHOLE OR IN PART, OR USED FOR MANUFACTURE OR FOR ANY OTHER PURPOSE WITHOUT WRITTEN PERMISSION FROM GBC PRO-TECH

UNLESS OTHERWISE SPECIFIED TOLERANCE		FINISH TO BE		ANGLES	
DM-AS SHOWN	TOL.	125	√	DATE	DRAWN BY
ZIX	±.124			07/13/00	N/A
X	±.050			DWG SCALE	DWG
XX	±.010			N/A	N/A
XXX	±.020				DC - 007
XXXX	±.005				

This print is the property of GBC Films Group. The information therein is rendered in confidence.
GBC Films Group
 4151 Anderson Road, DeForest, WI 53532
TITLE :
 Digital Cutter: Rewind option assembly

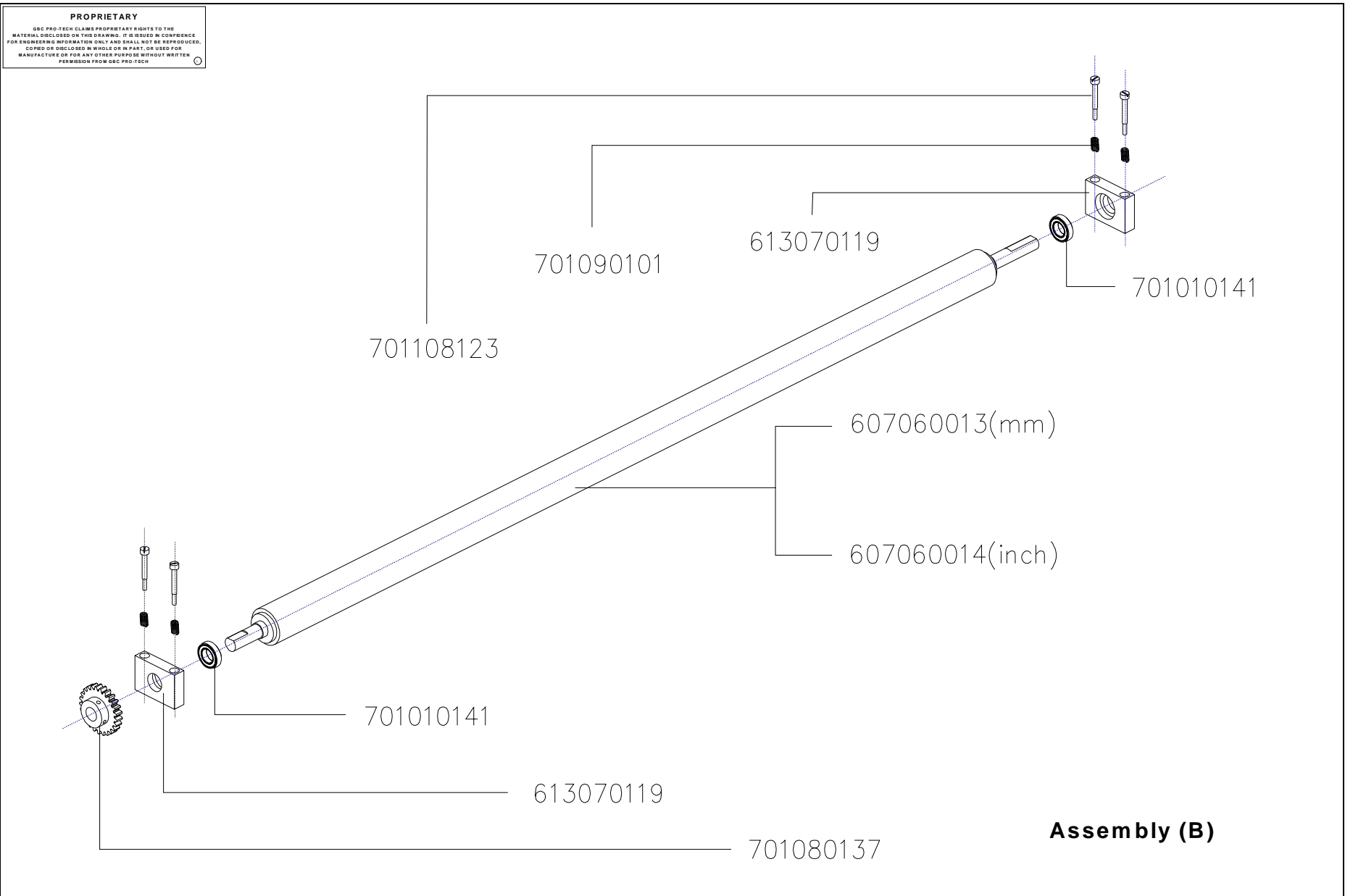
PROPRIETARY

GBC PRO-TECH CLAIMS PROPRIETARY RIGHTS TO THE MATERIAL DISCLOSED ON THIS DRAWING. IT IS ISSUED IN CONFIDENCE FOR ENGINEERING INFORMATION ONLY AND SHALL NOT BE REPRODUCED, COPIED OR DISCLOSED IN WHOLE OR IN PART, OR USED FOR MANUFACTURE OR FOR ANY OTHER PURPOSE WITHOUT WRITTEN PERMISSION FROM GBC PRO-TECH.



Assembly (A)

<small>This grid is the property of GBC Films Group. The information herein is not tied to confidentiality.</small>			
GBC Films Group 4151 Anderson Road, DeForest, WI 53532			TITLE : Digital Cutter: Hold finger assembly
DATE : 07/13/00 DRAWN BY : N/A DWG SCALE : N/A DWG : DC - 008			
UNLESS OTHERWISE SPECIFIED TOLERANCE			
DM. AS SHOWN	TOL.	FINISH TO BE	
0.00	±.004	125	
.00	±.005		
.00	±.010		
.00	±.020		
.00	±.005	ANGLES	±.1°

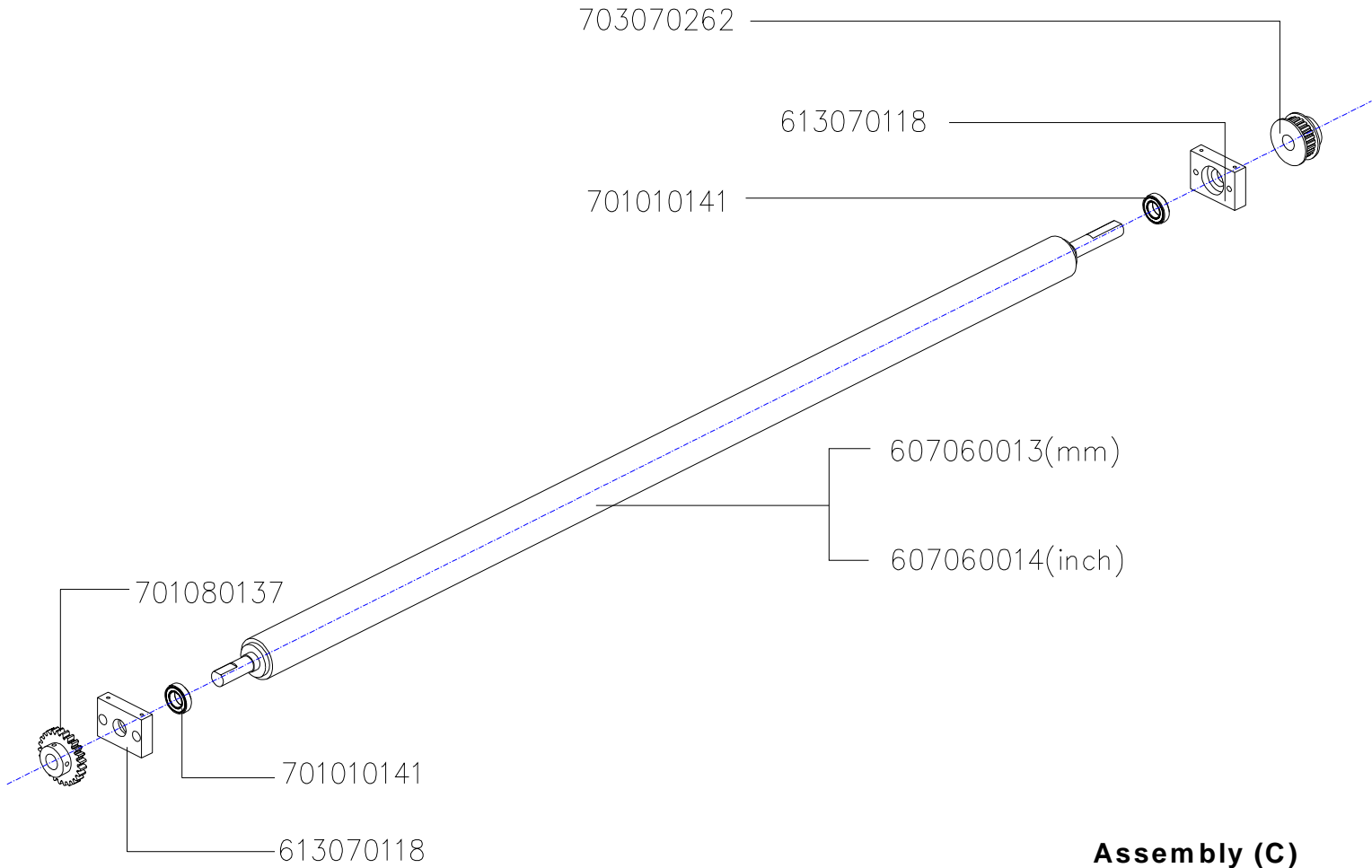


PROPRIETARY
 GBC PRO-TECH CLAIMS PROPRIETARY RIGHTS TO THE MATERIAL DISCLOSED ON THIS DRAWING. IT IS ISSUED IN CONFIDENCE FOR ENGINEERING INFORMATION ONLY AND SHALL NOT BE REPRODUCED, COPIED OR DISCLOSED IN WHOLE OR IN PART, OR USED FOR MANUFACTURE OR FOR ANY OTHER PURPOSE WITHOUT WRITTEN PERMISSION FROM GBC PRO-TECH.

Assembly (B)

UNLESS OTHERWISE SPECIFIED TOLERANCE		FINISH TO BE		GBC Films Group 4151 Anderson Road, DeForest, WI 53532			
DM AS SHOWN	TOL.	√	125	TITLE : Digital Cutter: Upper feed roller			
XIX	±.154			DATE :	DRAWN BY :	DWG SCALE :	DWG :
X	±.050			07/13/00	N/A	N/A	DC - 009
XX	±.010			ANGLES			
XXX	±.005	3/10					
XXXX	±.003						

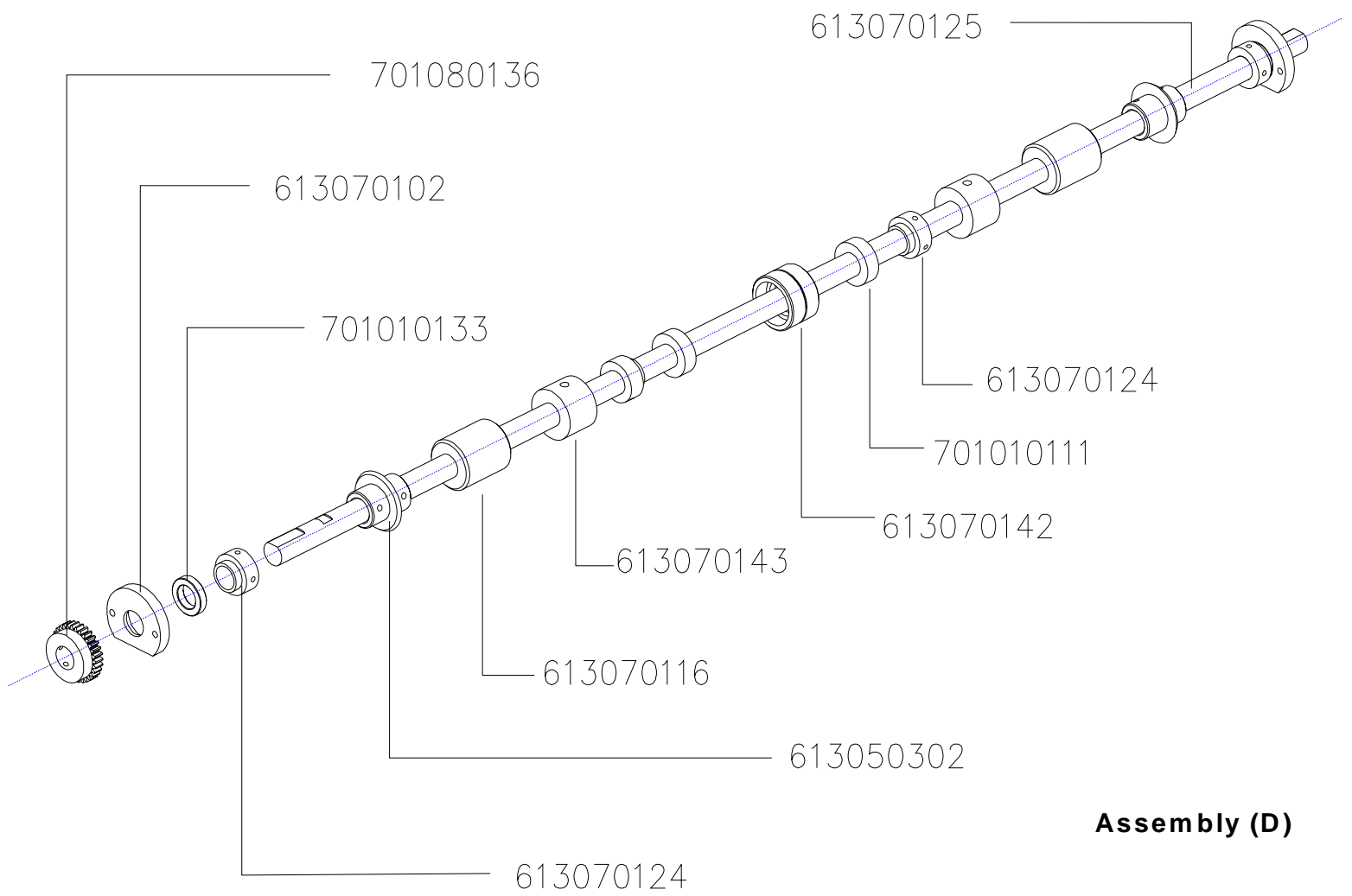
PROPRIETARY
 GBC PRO-TECH CLAIMS PROPRIETARY RIGHTS TO THE MATERIAL DISCLOSED ON THIS DRAWING. IT IS ISSUED IN CONFIDENCE FOR ENGINEERING INFORMATION ONLY AND SHALL NOT BE REPRODUCED, COPIED OR DISCLOSED IN WHOLE OR IN PART, OR USED FOR MANUFACTURE OR FOR ANY OTHER PURPOSE WITHOUT WRITTEN PERMISSION FROM GBC PRO-TECH



Assembly (C)

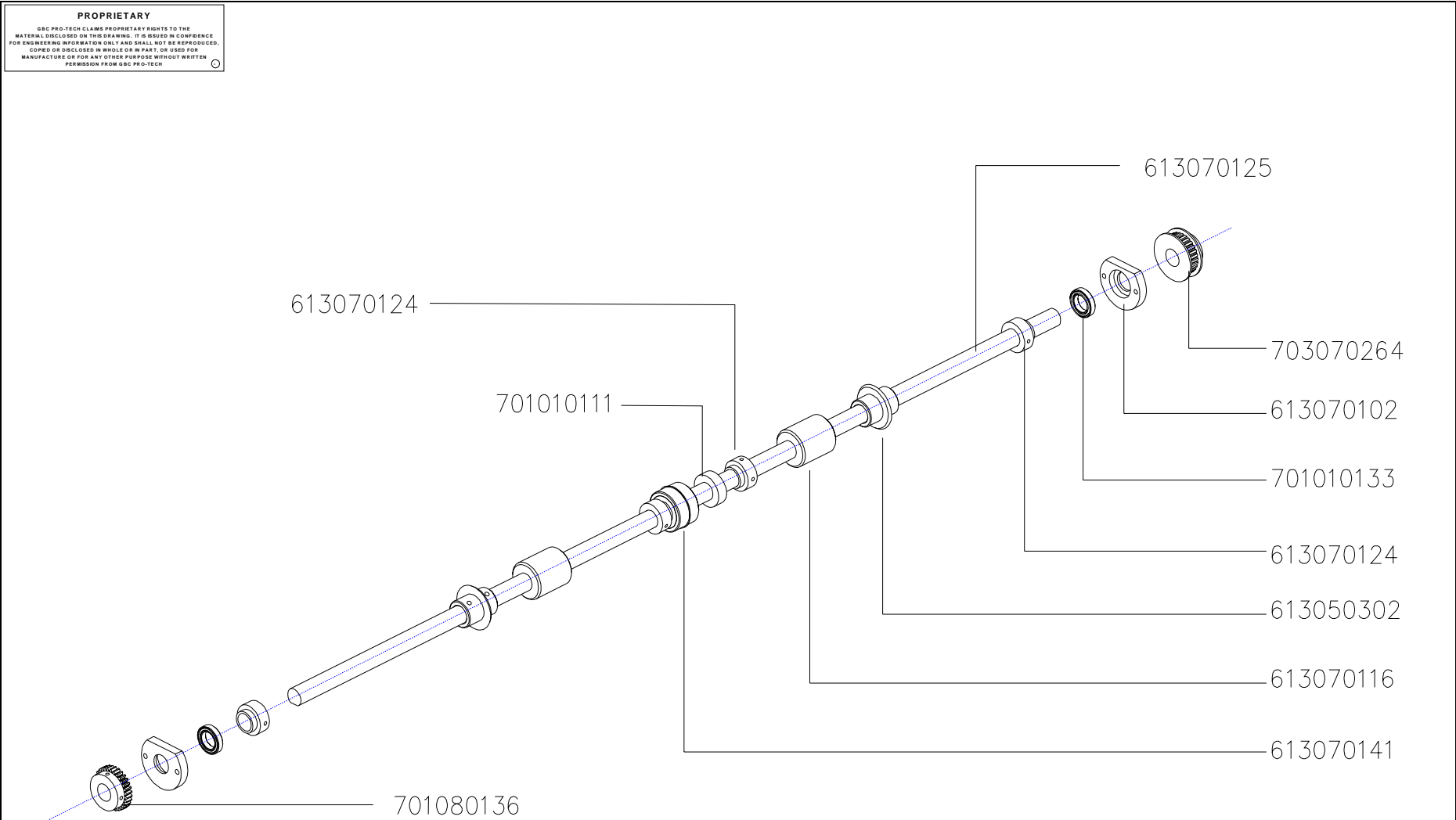
UNLESS OTHERWISE SPECIFIED TOLERANCE				The print is the property of GBC Film Group. The information thereon is restricted in confidence.			
GBC Films Group 4151 Anderson Road, DeForest, WI 53532				TITLE : Digital Cutter: Lower feed roller			
DATE : 07/13/00				DRAWN BY : N/A		DWG SCALE : N/A	
DWG NO : 010				DC - 010			

PROPRIETARY
 GBC PRO-TECH CLAIMS PROPRIETARY RIGHTS TO THE MATERIAL DISCLOSED ON THIS DRAWING. IT IS ISSUED IN CONFIDENCE FOR ENGINEERING INFORMATION ONLY AND SHALL NOT BE REPRODUCED, COPIED OR DISCLOSED IN WHOLE OR IN PART, OR USED FOR MANUFACTURE OR FOR ANY OTHER PURPOSE WITHOUT WRITTEN PERMISSION FROM GBC PRO-TECH



Assembly (D)

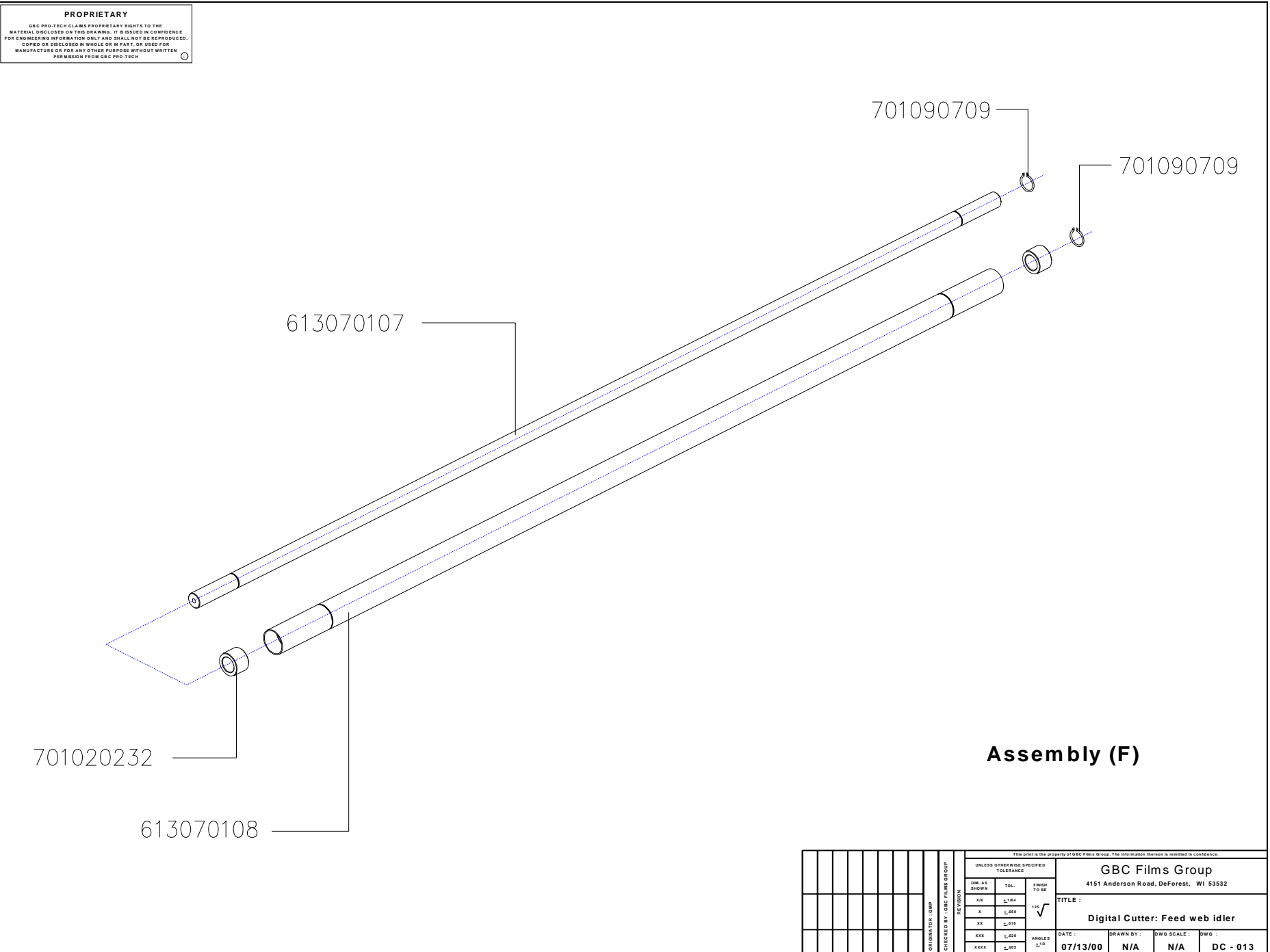
UNLESS OTHERWISE SPECIFIED TOLERANCE		FINISH TO BE		ANGLES		DATE:		DRAWN BY:		DWG SCALE:		DWG:	
DM	AS SHOWN	TOL.	±.154	125	√	07/13/00	N/A	N/A	N/A	DC - 011			
XX	X	±.050											
XX	XX	±.010											
XXX	XXX	±.020											
XXXX	XXXX	±.005											



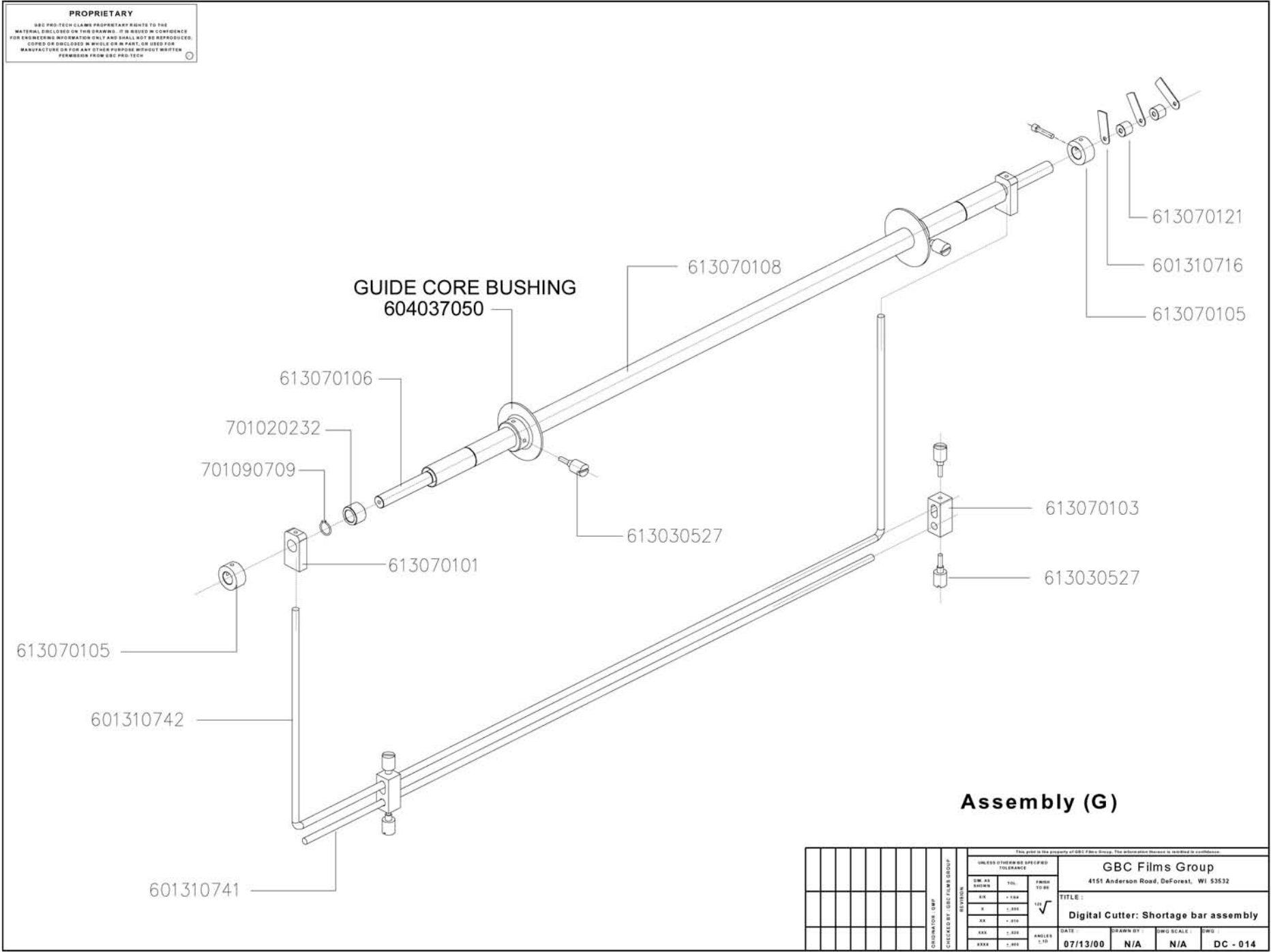
Assembly (E)

<small>The print is the property of GBC Film Group. The information thereon is not to be released in confidence.</small>			
GBC Films Group 4151 Anderson Road, DeForest, WI 53532			TITLE : Digital Cutter: Lower feed slitter idler
UNLESS OTHERWISE SPECIFIED TOLERANCE			
DIM. AS SHOWN	TOL.	FINISH TO BE	DATE : 07/13/00 DRAWN BY : N/A DWG SCALE : N/A DWG : DC - 012
XX	±.124	125	
X	±.050	√	
XX	±.010		
XXX	±.020	ANGLES	
XXXX	±.005	±1/2	
REVISION	DATE	BY	
APPROVED BY: J. B. BAZZANI			
DESIGNED BY: J. B. BAZZANI			
DRAWN BY: J. B. BAZZANI			

PROPRIETARY
 GBC PRO-TECH CLAIMS PROPRIETARY RIGHTS TO THE MATERIAL DISCLOSED ON THIS DRAWING. IT IS ISSUED IN CONFIDENCE FOR ENGINEERING INFORMATION ONLY AND SHALL NOT BE REPRODUCED, COPIED OR DISCLOSED IN WHOLE OR IN PART, OR USED FOR MANUFACTURE OR FOR ANY OTHER PURPOSE WITHOUT WRITTEN PERMISSION FROM GBC PRO-TECH



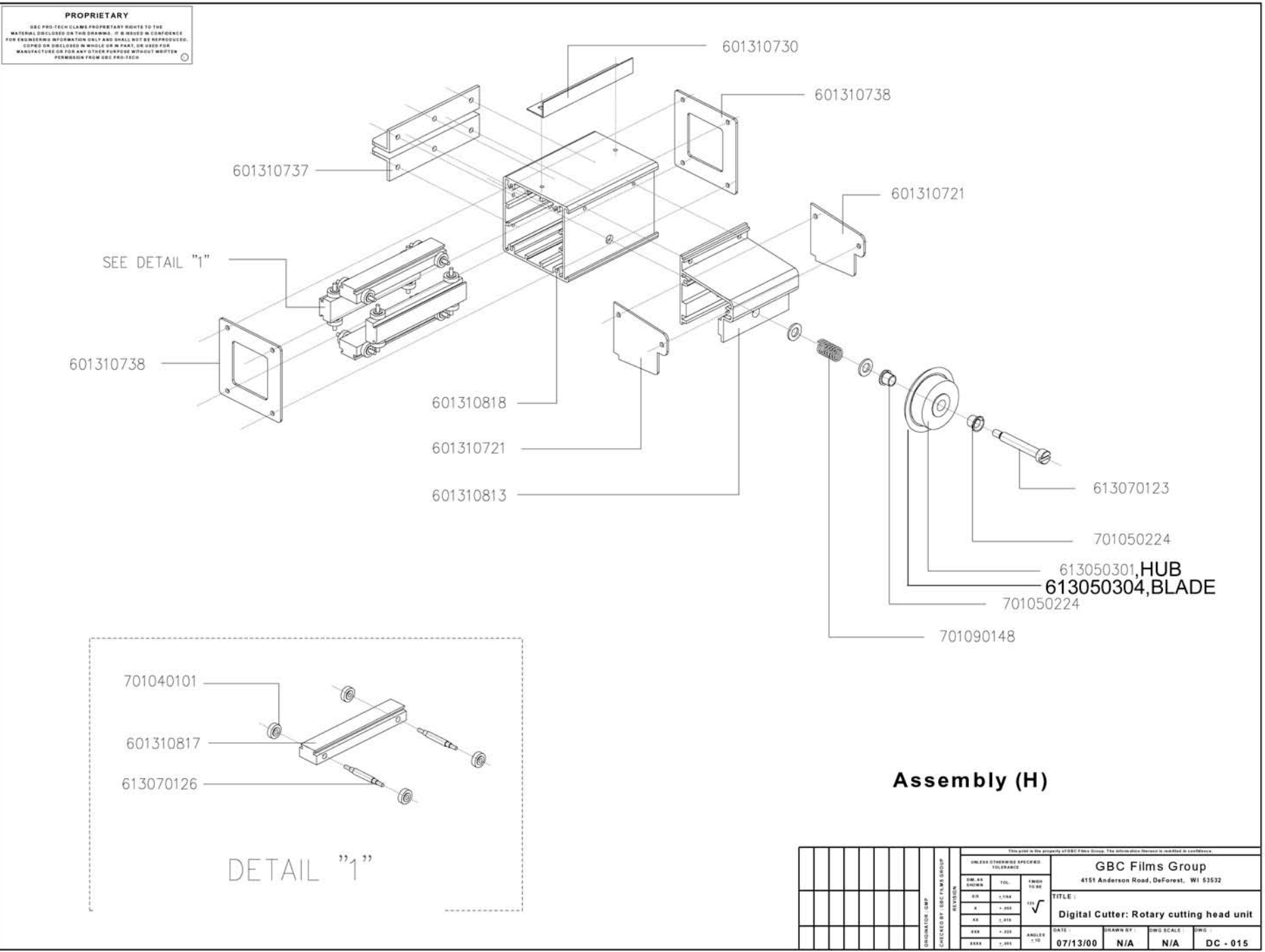
PROPRIETARY
 GBC PRO-TECH CLAIMS PROPRIETARY RIGHTS TO THE MATERIAL DISCLOSED ON THIS DRAWING. IT IS ISSUED IN CONFIDENCE FOR ENGINEERING INFORMATION ONLY AND SHALL NOT BE REPRODUCED, COPIED OR DISCLOSED IN WHOLE OR IN PART, OR USED FOR MANUFACTURE OR FOR ANY OTHER PURPOSE WITHOUT WRITTEN PERMISSION FROM GBC PRO-TECH



Assembly (G)

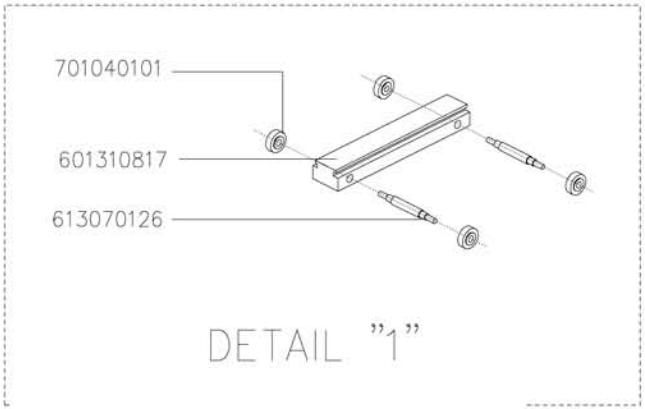
<small>This detail is the property of GBC Films Group. The information therein is intended in confidence.</small>			
UNLESS OTHERWISE SPECIFIED TOLERANCE		GBC Films Group 4151 Anderson Road, DeForest, WI 53532	
DW. AS BROWN	TOL. + .004 - .000 - .010	FMSH TO BE 120	TITLE: Digital Cutter: Shortage bar assembly
DATE: 07/13/00	DRAWN BY: N/A	DWG SCALE: N/A	DWG: DC - 014

PROPRIETARY
 GBC PRO-TECH CLAIMS PROPRIETARY RIGHTS TO THE MATERIAL ENCLOSED ON THIS DRAWING. IT IS HEREBY IN CONFIDENCE FOR ENGINEERING INFORMATION ONLY AND SHALL NOT BE REPRODUCED, COPIED OR DISCLOSED IN WHOLE OR IN PART, OR USED FOR MANUFACTURE OR FOR ANY OTHER PURPOSE WITHOUT WRITTEN PERMISSION FROM GBC PRO-TECH.



Assembly (H)

PROPRIETARY
 GBC PRO-TECH CLAIMS PROPRIETARY RIGHTS TO THE MATERIALS DISCLOSED ON THIS DRAWING. IT IS HEREBY IN CONFIDENCE FOR ENGINEERING INFORMATION ONLY AND SHALL NOT BE REPRODUCED, COPIED OR DISCLOSED IN WHOLE OR IN PART, OR USED FOR MANUFACTURE OR FOR ANY OTHER PURPOSE WITHOUT WRITTEN PERMISSION FROM GBC PRO-TECH

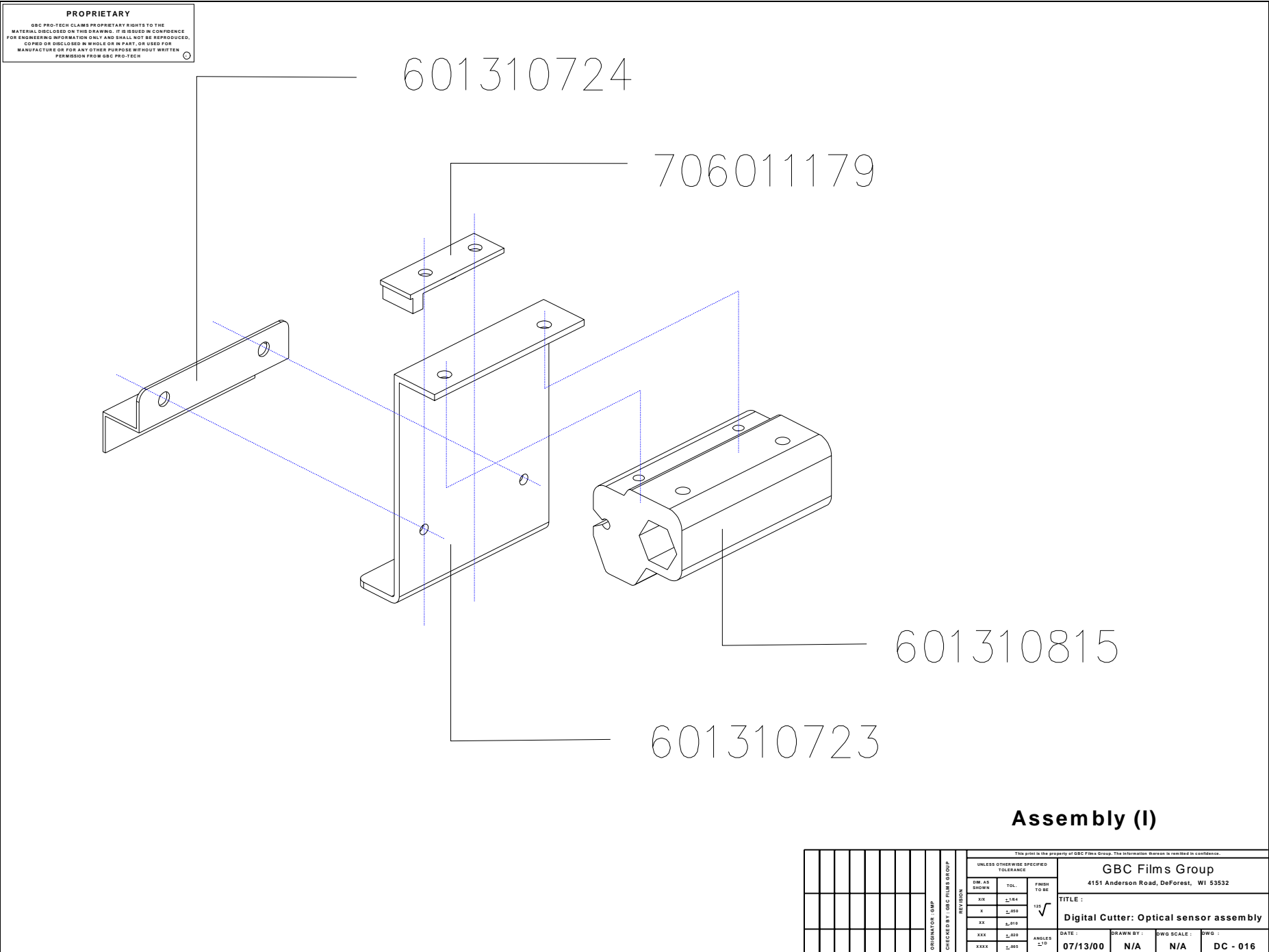


UNLESS OTHERWISE SPECIFIED TOLERANCES		FRACTIONS TO BE		DATE		DRAWN BY		DWG SCALE		DWG NO	
MM-AS SHOWN	FOL	1/16	1/32	07/13/00	N/A	N/A	N/A	DC - 015			
XX	-.154										
X	+.002										
XX	-.010										
XXX	+.002	ANGLES	-.10								
XXXX	-.002										

This part is the property of GBC Films Group. The information therein is intended for use only by GBC Films Group.

GBC Films Group
 4151 Anderson Road, DeForest, WI 53532

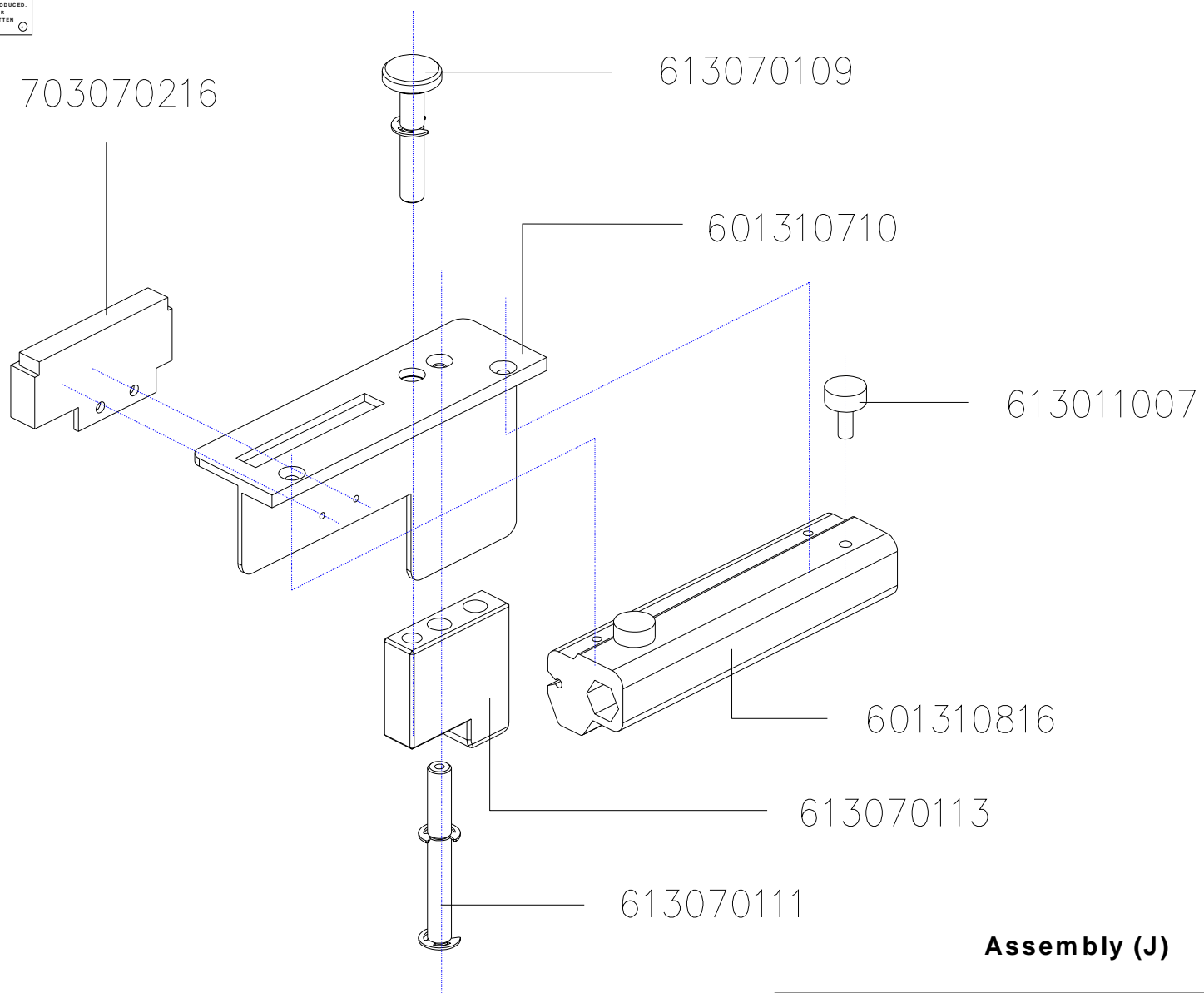
TITLE:
Digital Cutter: Rotary cutting head unit



Assembly (I)

<small>This print is the property of GBC Films Group. The information herein is rendered in confidence.</small>			
UNLESS OTHERWISE SPECIFIED TOLERANCE			GBC Films Group 4151 Anderson Road, DeForest, WI 53532
DATE AS SHOWN	TOL.	FINISH TO BE	TITLE :
XX	$\pm .04$	125 $\sqrt{\quad}$	Digital Cutter: Optical sensor assembly
X	$\pm .050$		DATE :
XX	$\pm .010$		DRAWN BY :
XXX	$\pm .020$	ANGLES ± 10	DWG SCALE :
XXXX	$\pm .005$		DWG : DC - 016
07/13/00	N/A	N/A	

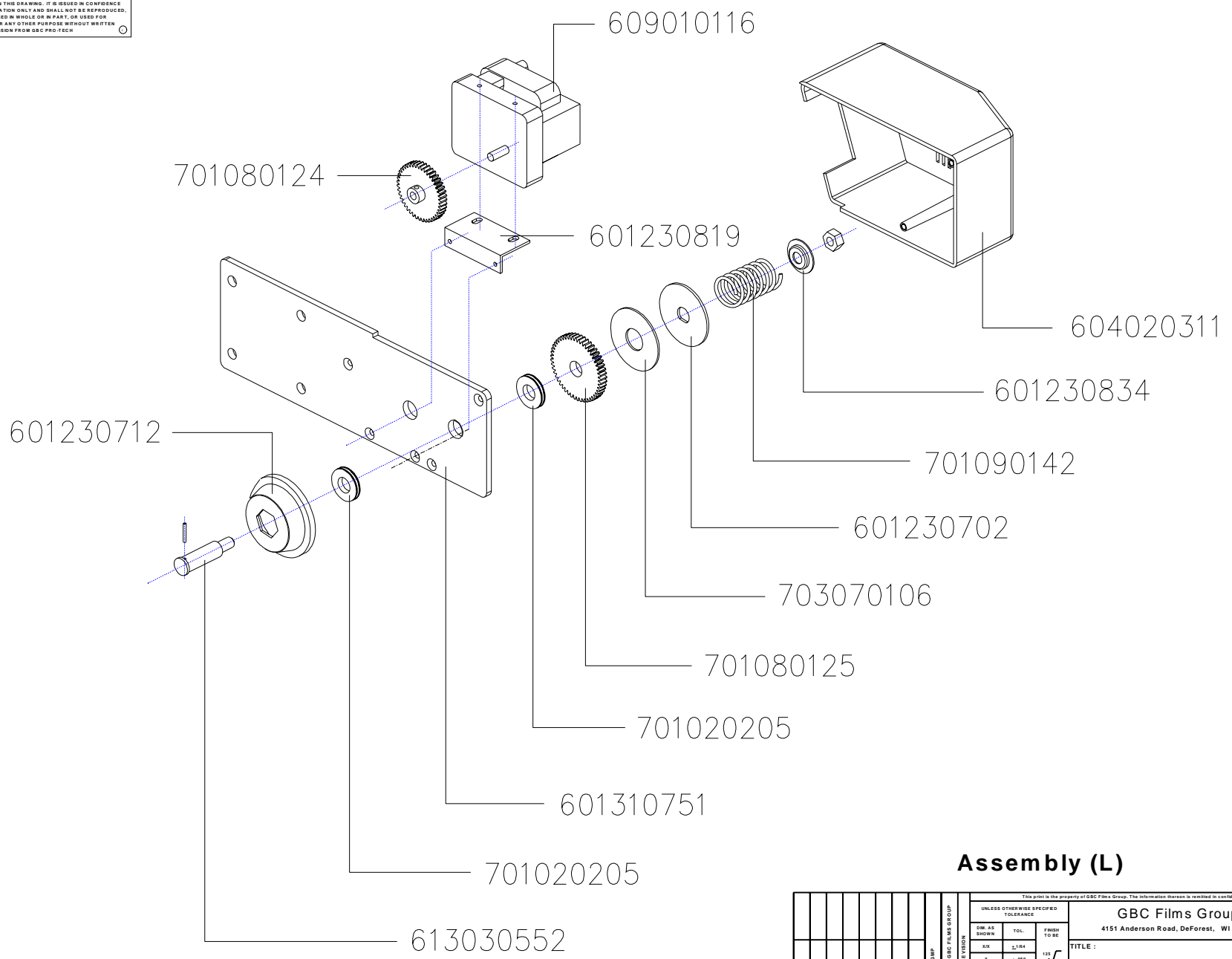
PROPRIETARY
 GBC PRO-TECH CLAIMS PROPRIETARY RIGHTS TO THE MATERIAL DISCLOSED ON THIS DRAWING. IT IS ISSUED IN CONFIDENCE FOR ENGINEERING INFORMATION ONLY AND SHALL NOT BE REPRODUCED, COPIED OR DISCLOSED IN WHOLE OR IN PART, OR USED FOR MANUFACTURE OR FOR ANY OTHER PURPOSE WITHOUT WRITTEN PERMISSION FROM GBC PRO-TECH



Assembly (J)

UNLESS OTHERWISE SPECIFIED TOLERANCE				THIS PRINT IS THE PROPERTY OF GBC FILMS GROUP. THE INFORMATION THEREON IS RESTRICTED IN CONFIDENCE.			
DM: AS SHOWN	TOL.	FINISH TO BE		GBC Films Group 4151 Anderson Road, DeForest, WI 53532			
XX	±.124	✓		TITLE :			
X	±.059		Digital Cutter: Crop mark reader sensor				
XX	±.019			DATE:	DRAWN BY:	DWG SCALE:	DWG :
XXX	±.020	ANGLES		07/13/00	N/A	N/A	DC - 017
XXXX	±.005	±15					

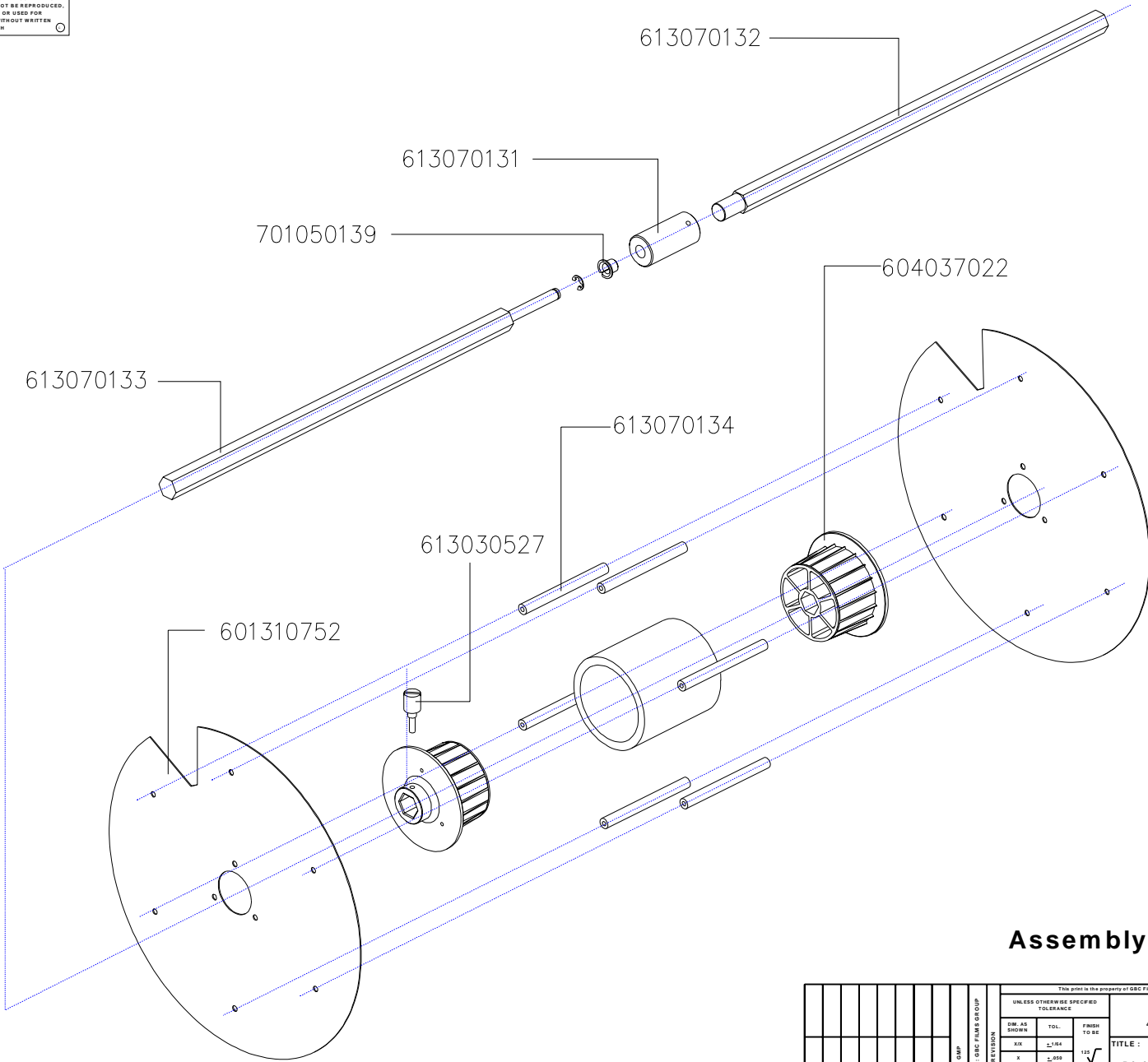
PROPRIETARY
 GBC PRO-TECH CLAIMS PROPRIETARY RIGHTS TO THE MATERIAL DISCLOSED ON THIS DRAWING. IT IS ISSUED IN CONFIDENCE FOR ENGINEERING INFORMATION ONLY AND SHALL NOT BE REPRODUCED, COPIED OR DISCLOSED IN WHOLE OR IN PART, OR USED FOR MANUFACTURE OR FOR ANY OTHER PURPOSE WITHOUT WRITTEN PERMISSION FROM GBC PRO-TECH



Assembly (L)

UNLESS OTHERWISE SPECIFIED TOLERANCE		FINISH TO BE		TITLE :			
DM. AS SHOWN	TOL.	XX	√	GBC Films Group 4151 Anderson Road, DeForest, WI 53532			
XX	±.164	X	√	Digital Cutter: Rewind drive assembly			
X	±.469	XX	√	DATE :	DRAWN BY :	DWG SCALE :	DWG :
XXX	±.420	XXXX	√	07/13/00	N/A	N/A	DC - 019
XXXX	±.469						

PROPRIETARY
 GBC PRO-TECH CLAIMS PROPRIETARY RIGHTS TO THE MATERIAL DISCLOSED ON THIS DRAWING. IT IS ISSUED IN CONFIDENCE FOR ENGINEERING INFORMATION ONLY AND SHALL NOT BE REPRODUCED, COPIED OR DISCLOSED IN WHOLE OR IN PART, OR USED FOR MANUFACTURE OR FOR ANY OTHER PURPOSE WITHOUT WRITTEN PERMISSION FROM GBC PRO-TECH

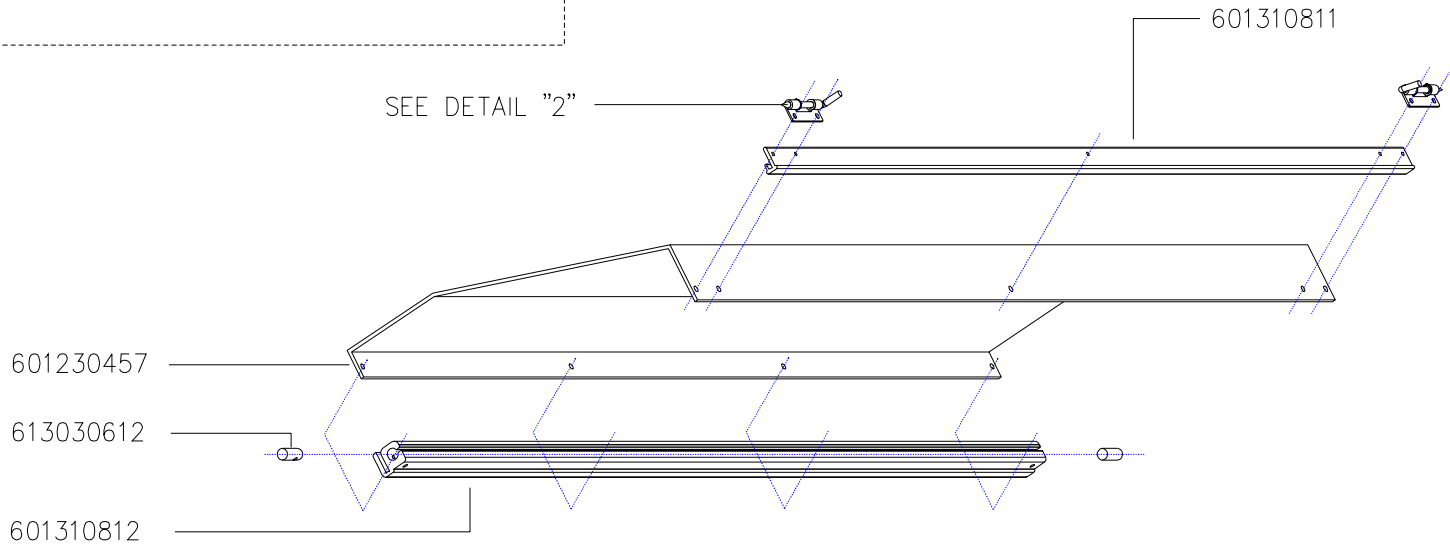
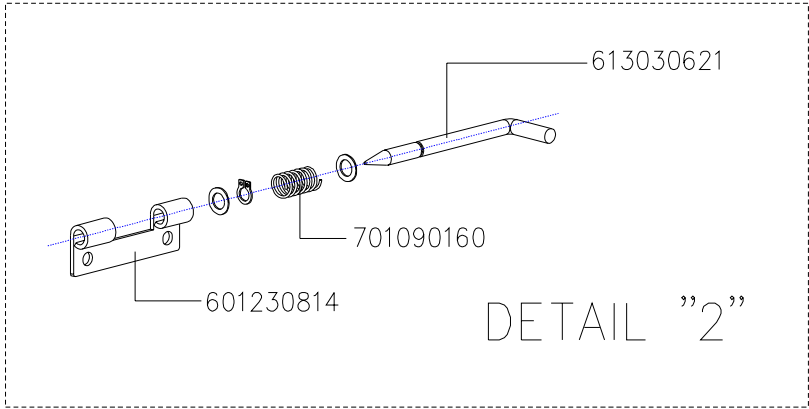


Assembly (M)

<small>The print is the property of GBC Films Group. The information therein is restricted to confidence.</small>			
UNLESS OTHERWISE SPECIFIED TOLERANCE		GBC Films Group 4151 Anderson Road, DeForest, WI 53532	
FINISH TO BE	TOL.	TITLE :	
XX	±.184	Digital Cutter: Rewind shaft assembly	
X	±.050	DATE :	DRAWN BY :
XX	±.010	07/13/00	N/A
XXX	±.020	DWG SCALE :	DWG :
XXXX	±.005	N/A	DC - 020
REVISION		ANGLES	
DRAWN BY: GBC / J. B. B. / J. B. B.		1/16	
CHKD BY: GBC / J. B. B. / J. B. B.			
APP. NO. 100101010			

PROPRIETARY

GBC PRO-TECH CLAIMS PROPRIETARY RIGHTS TO THE MATERIAL DISCLOSED ON THIS DRAWING. IT IS ISSUED IN CONFIDENCE FOR ENGINEERING INFORMATION ONLY AND SHALL NOT BE REPRODUCED, COPIED OR DISCLOSED IN WHOLE OR IN PART, OR USED FOR MANUFACTURE OR FOR ANY OTHER PURPOSE WITHOUT WRITTEN PERMISSION FROM GBC PRO-TECH



Assembly (N)

UNLESS OTHERWISE SPECIFIED TOLERANCE				The print is the property of GBC Films Group. The information therein is restricted in confidence.			
DM. AS SHOWN	TOL.	FINISH TO BE	<input checked="" type="checkbox"/>	GBC Films Group 4151 Anderson Road, DeForest, WI 53532			
XX	±.124			TITLE :			
X	±.059			Digital Cutter: Safety shield assembly			
XX	±.019			DATE:	DRAWN BY:	DWG SCALE:	DWG :
XXX	±.020	ANGLES					
XXXX	±.005	±.5°		07/13/00	N/A	N/A	DC - 021