

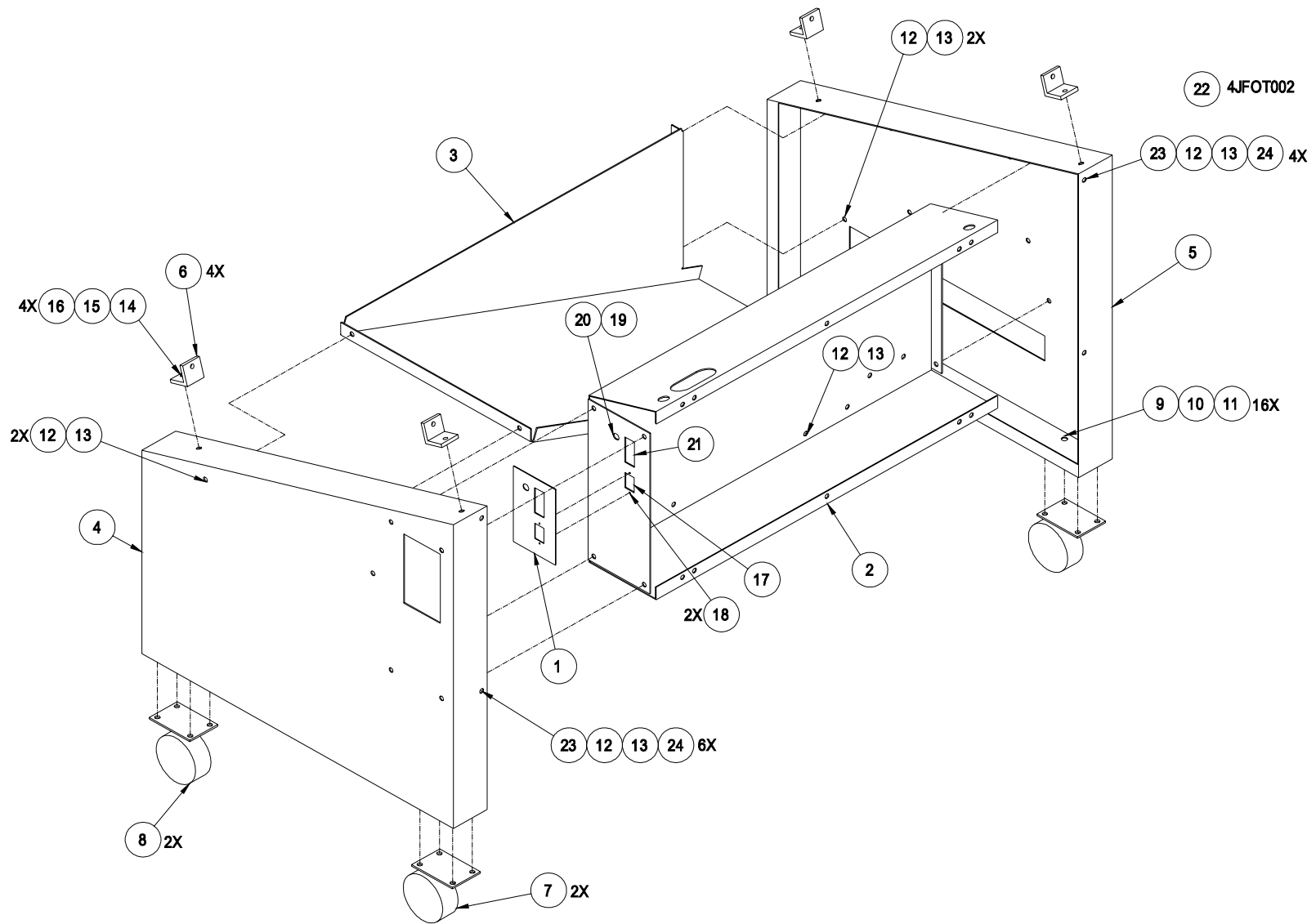


**FIGURE 8.1 COVERS**

Find #	Item ID	Qty	Item Name
1	1730215	1	LEFT COVER
2	31NYR010	2	RETAINING WASHER NYLON #10, 11/64ID X 29/64OD X 0.063THK
3	1730467	5	ROUND SPACER ALUMINUM 1/2OD X #10ID X 1/2L
4	1730390	7	INTERNAL TOOTH LOCK WASHER 401 STAINLESS #10, 0.204ID X 0.381OD X 0.020THK
5	1730446	5	TRUSS HEAD PHILLIPS MACHINE SCREW 18-8 STAINLESS #10-32 X 1
6	CC068L00	1	OUTPUT TRAY BRACKET, LEFT
7	CC068R00	1	OUTPUT TRAY BRACKET, RIGHT
8	32HSRI50	4	HEX HEAD SCREW, SERRATED WASHER FLANGE, ZINC PLATED STEEL, 1/4-20 X 1/2"
9	1730568	1	OUTPUT TRAY
10	1730448	4	HEX NUT 18-8 STAINLESS 1/4-20
11	1730393	23	SPRING LOCK WASHER REGULAR, 18-8 STAINLESS 1/4"
12	1730388	23	FLAT WASHER MS 15795 MIL, STAINLESS 1/4, 0.281ID X 0.625OD X 0.080THK
13	1730222	1	NUT BLOCK
14	1730251	1	BACKSTOP
15	1730464	1	DOWEL PIN 3ADCS975 1/4 X 3/4
16	1730487	1	PLASTIC KNOB WITH 1/4-20 X 3/4 STUD
17	1730331	1	ELECTRICAL CONDUIT
18	1730477	2	ROUND STANDOFF, ALUMINUM, 5/8OD X #10-32ID X 1L
19	1722548	8	FLAT WASHER MS 15795 MIL, STAINLESS #10, 0.219ID X 0.438OD X 0.065THK
20	1926063	14	SPRING LOCK WASHER REGULAR, 18-8 STAINLESS #10
21	1722549	8	SOCKET CAP SCREW 18-8 STAINLESS #10-32 X 1/2
22	1730562	1	SPINEFORMER STORAGE TRAY
23	1730435	14	SOCKET CAP SCREW 18-8 STAINLESS #1/4-20 X 3/4
24	1730320	1	ELECTRICAL CONDUIT COVER
25	1730444	2	TRUSS HEAD PHILLIPS MACHINE SCREW 18-8 STAINLESS #10-32 X 1/2

26	1730214	1	REAR COVER
27	1730391	16	INTERNAL TOOTH LOCK WASHER 401 STAINLESS 1/4, 0.267ID X 0.478OD X 0.023THK
28	1722550	16	BUTTON HEAD SOCKET CAP SCREW 18-8 STAINLESS #10-32 X 1/2
29	1730263	5	REAR COVER STANDOFF
30	1730330	1	ELECTRICAL BOX COVER
31	3VGBC059	1	WARNING LABEL ENGLISH PRESSURE SENSITIVE ADHESIVE 1.50 X 3.75
32	1730262	5	FRONT COVER STANDOFF
33	1730575	1	FRONT COVER
34	9950376000	1	NYLON INSERT HEX LOCK NUT 18-8 STAINLESS 1/4-20
35	7500880	1	KNURLED KNOB PLASTIC, BRASS INSERT 3/8ID X 2.36OD
36	1730489	1	HANDLE, REVOLVING W/ STUD, 1/4-20 X 0.47, 1.57L HANDLE X 0.71 DIA
37	1730235	1	KNURLED KNOB W/ HANDLE
38	1925080	4	FINISHED FLAT WASHER STEEL, CASE-HARDENED, THICK #10, 13/64ID X 1/2OD X 3/32 THK
39	31RCW031	4	CUSHIONING WASHER, PURE-RUBBER, 5/16, 0.330ID X 3/4OD
40	3CRSS5A3	4	ROUND SPACER, STAINLESS, 5/16OD X #10 X 3/16L
41	CC104010	1	JOG SHELF
42	CC148010	1	COIL LOADING BRACKET
43	1922114	2	SOCKET CAP SCREW 18-8 STAINLESS #10-32 X 5/8
44	9950341000	1	CORNER CUBE REFLECTOR 2.07 X 2.36 X 0.3THK
45	CCS03000	1	LEXAN COVER AND LABEL, SPARE
46	1722552	2	SPRING LOCK WASHER REGULAR, 18-8 STAINLESS #6
47	1730416	2	SOCKET CAP SCREW 18-8 STAINLESS #6-32 X 5/16
48	1771435	2	ROUND HANDLE PULL ALUMINUM, NATURAL FINISH 3" X 1-5/16 X 5/16ROD
49	1730382	2	FENDER WASHER 18-8 STAINLESS #10, 13/64ID X 11/16OD X 0.050THK
50	1926062	2	SPRING LOCK WASHER REGULAR, 18-8 STAINLESS #8
51	1730442	2	TRUSS HEAD PHILLIPS MACHINE SCREW 18-8 STAINLESS #8-32 X 1/2
52	1730383	3	FINISHED FLAT WASHER STEEL, CASE-HARDENED, THICK 1/4, 9/32ID X 5/8OD X 1/8THK

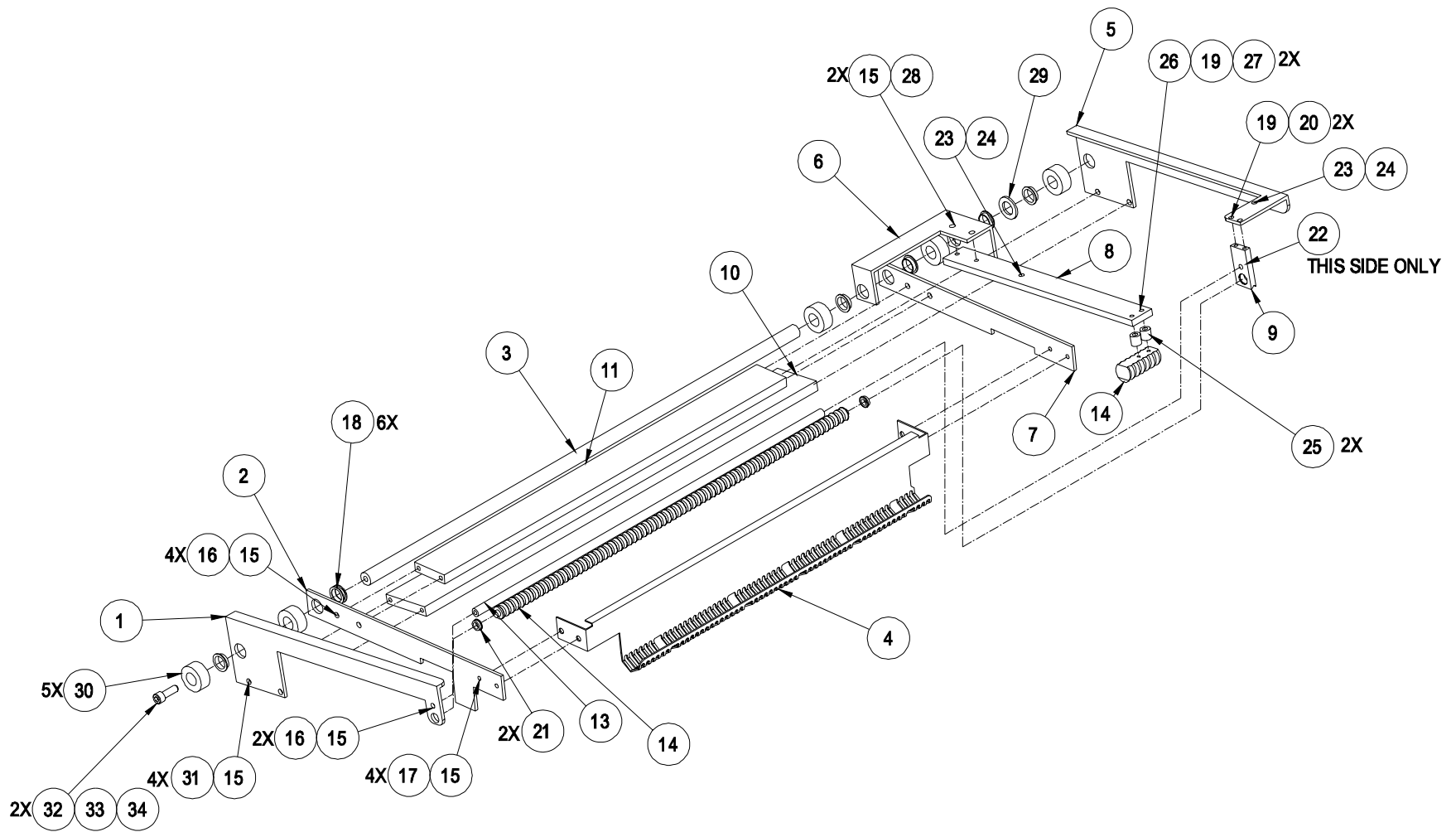
53	1730395	3	NEOPRENE SEALING WASHER STAINLESS/NEOPRENE .200 ID X 5/8 OD
54	1730445	3	TRUSS HEAD PHILLIPS MACHINE SCREW 18-8 STAINLESS #10-32 X 3/4
55	1730305	1	CLEAR COVER PIVOT SHAFT
56	1730387	2	FLAT WASHER MS 15795 MIL, STAINLESS #8, 0.188ID X 0.375OD X0.065THK
57	1922111	2	SOCKET CAP SCREW 18-8 STAINLESS #8-32 X 1/2
58	1730246	1	SPINEFORMER ACCESS COVER
59	9950220	4	NYLON FLAT WASHER, REGULAR NATURAL COLOR 1/2, 0.505 X 0.750 X 0.062 THK
60	1730455	1	BRASS TIPPED SOCKET SET SCREW ALLOY STEEL, BLACK FINISH #10-32 X 3/16 LGTH
61	1730460	1	SHAFT COLLAR, SET SCREW STYLE, ZINC PLATED STEEL, 1/2 ID X 1 OD X 7/16 W
62	9950160	4	FLANGED PLAIN BEARING NYLON 0.5010 ID X 0.5620 HOUSING BORE 7/32L
63	1730266	1	OUTPUT SWITCH CAM
64	1730329	1	SPINEFORMER COVER PIVOT SHAFT
65	3VGBC083	1	DIGI-COIL KNIFE ADJUST, A, LABEL
66	3VGBC080	1	DIGI-COIL KNIFE ADJUST, B, LABEL
67	3VGBC085	1	BINDING ELEMENT SIZE LABEL
68	9950201000	2	E-STYLE RETAINING RING SPRING STEEL, ZINC PLATED 1/2 SHAFT
70	3VGBC055	3	CRUSH FINGERS LABEL PRESSURE SENSITIVE ADHESIVE
71	3VGBC078	1	CENTER SPINE FORMER LOCATION GUIDE
72	3VGBC079	1	DIGI-COIL LOGO LABEL
73	1730321	1	OUTPUT GUARD PLATE
74	1730426	4	SOCKET CAP SCREW 18-8 STAINLESS #10-32 X 3/4
75	1730492	2	SOLID STEM BUMPER, RUBBER, 5/16OD X 3/8L X 3/16 STEM
76	1730434	4	SOCKET CAP SCREW 18-8 STAINLESS #1/4-20 X 5/8



**FIGURE 8.2 BASE ASSEMBLY**

**FIGURE 8.2 BASE ASSEMBLY**

Find #	Item ID	Qty	Item Name
1	3VGBC081	1	POWER INLET LABEL
2	1730223	1	ELECTRICAL BOX
3	1730226	1	WASTE CHUTE
4	1730261	1	LEFT BASE LEG
5	1730201	1	RIGHT BASE LEG
6	CC039000	4	LEG MOUNT BRACKET
7	9950104	2	SWIVEL CASTOR 3 1/2 "
8	1730490	2	RIGID PLATE CASTOR 3 1/2 "
9	1730389	16	FLAT WASHER MS 15795 MIL, STAINLESS 5/16, 0.344ID X 0.688OD X 0.080THK
10	1726065	16	SPRING LOCK WASHER REGULAR, 18-8 STAINLESS 5/16"
11	1730410	16	HEX HEAD SCREW GRADE 5 5/16-18 X 3/4
12	1730391	15	INTERNAL TOOTH LOCK WASHER 401 STAINLESS 1/4, 0.267ID X 0.478OD X 0.023THK
13	1730403	15	BUTTON HEAD SOCKET CAP SCREW 18-8 STAINLESS #1/4-20 X 1/2
14	1730388	4	FLAT WASHER MS 15795 MIL, STAINLESS 1/4, 0.281ID X 0.625OD X 0.080THK
15	1730393	4	SPRING LOCK WASHER REGULAR, 18-8 STAINLESS 1/4"
16	1730434	4	SOCKET CAP SCREW 18-8 STAINLESS #1/4-20 X 5/8
17	9950039	1	AC INLET CONNECTOR
18	1730408	2	FLAT HEAD SOCKET CAP SCREW 18-8 STAINLESS #4-40 X 1/4
19	4F360038	1	SLOW BLOW FUSE 250V, 1/2X 1-1/4 (3AG), 0.375A
20	1132343	1	SLOTTED PANEL FUSE HOLDER BLACK 1/4 X 1 1/4 (3AG)
21	9950239	1	CIRCUIT BREAKER DPST 10.0 AMP
22	1730525	1	PNEUMATIC SWITCH
23	1730381	10	EXTERNAL TOOTH LOCK WASHER 410 STAINLESS 1/4, 0.267ID X 0.510OD X 0.023THK
24	1730448	10	HEX NUT 18-8 STAINLESS 1/4-20

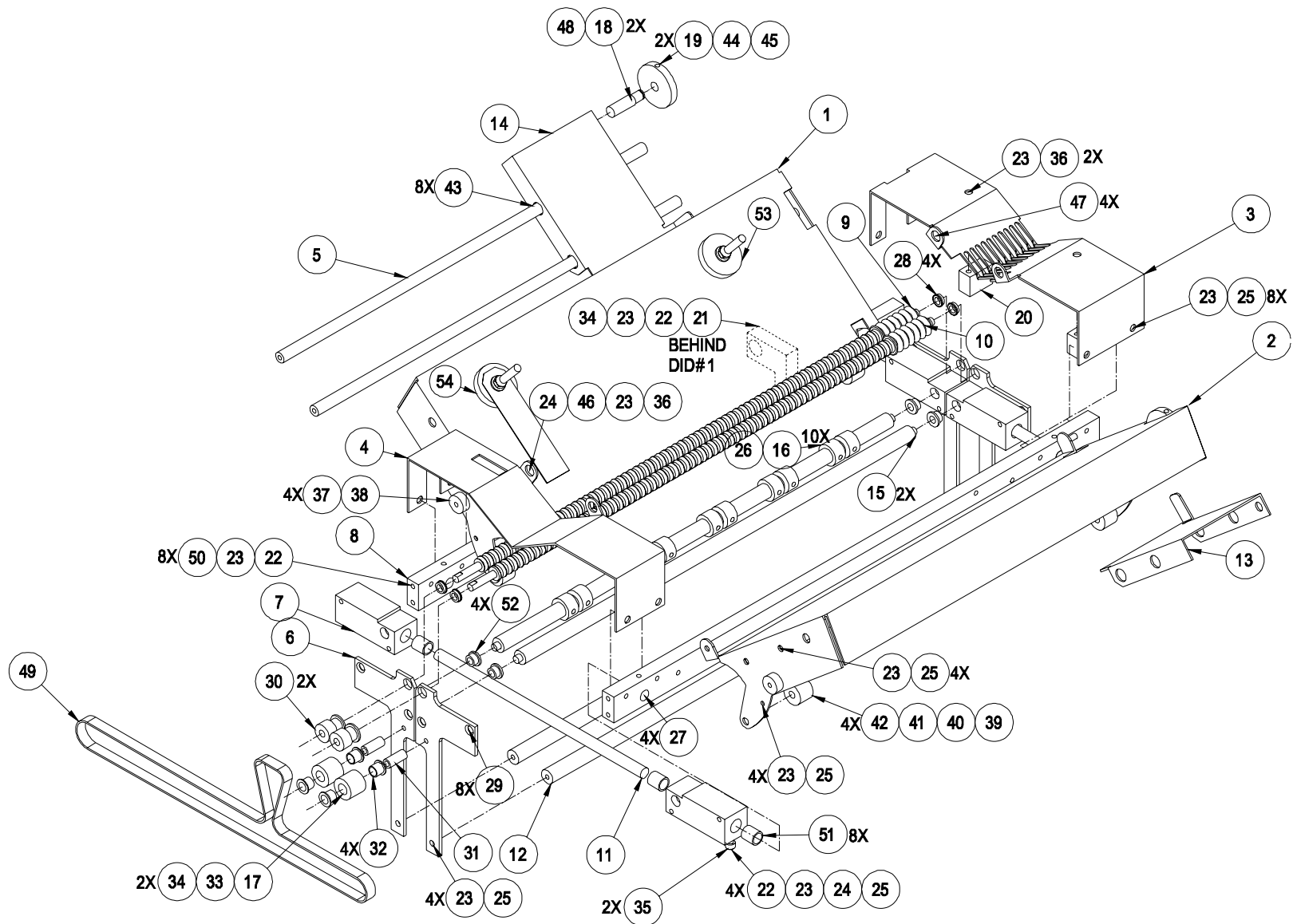


**FIGURE 8.3 PIVOT SHAFT ASSEMBLY**

**FIGURE 8.3 PIVOT SHAFT ASSEMBLY**

<b>Find #</b>	<b>Item ID</b>	<b>Qty</b>	<b>Item Name</b>
1	1730554	1	IDLER PIVOT ARM REAR
2	1730211	1	STRIPPER BRACKET REAR ARM
3	1730212	1	LOADING PIVOT SHAFT
4	1730200	1	STRIPPER BRACKET
5	1730574	1	IDLER PIVOT ARM FRONT
6	1730203	1	DETECT PIVOT BRACKET
7	1730237	1	STRIPPER BRACKET FRONT ARM
8	1730216	1	DETECT ARM
9	1730572	1	BEARING BLOCK
10	1730213	1	CROSS BAR
11	1730313	1	CROSS BAR
12	1730229	1	STANDOFF ROD
13	1730552	1	GROOVED ROLLER IDLER
14	1730205	1	ROUND DETECT DRIVE
15	1926063	16	SPRING LOCK WASHER REGULAR, 18-8 STAINLESS #10
16	1722549	6	SOCKET CAP SCREW 18-8 STAINLESS #10-32 X 1/2
17	1730424	4	SOCKET CAP SCREW 18-8 STAINLESS #10-32 X 1/4
18	1730540	6	SNAP IN SLEEVE BEARING, NYLON, 1/2ID X 9/16OD X 0.140T
19	1722552	4	SPRING LOCK WASHER REGULAR, 18-8 STAINLESS #6
20	1922103000	2	SOCKET CAP SCREW 18-8 STAINLESS #6-32 X 1/2
21	0147080024	2	FLANGED RADIAL BALL BEARING STAINLESS, PRECISION 1/4ID X 3/8OD
22	1722548	1	FLAT WASHER MS 15795 MIL, STAINLESS #10, 0.219ID X 0.438OD X 0.065THK

23	1730448	2	HEX NUT 18-8 STAINLESS 1/4-20
24	1730411	2	KNURLED HEAD SLOTTED THUMB SCREW NYLON 1/4 - 20 X 1
25	9950266000	2	ROUND SPACER ALUMINUM 3/8OD X #10ID X 3/8L
26	1730386	2	FLAT WASHER MS 15795 MIL, STAINLESS #6, 0.156ID X 0.375OD X 0.065THK
27	1730419	2	SOCKET CAP SCREW 18-8 STAINLESS #6-32 X 1
28	1730425	2	SOCKET CAP SCREW 18-8 STAINLESS #10-32 X 3/8
29	9950220	1	NYLON FLAT WASHER, REGULAR NATURAL COLOR 1/2, 0.505 X 0.750 X 0.062 THK
30	1730460	5	SHAFT COLLAR, SET SCREW STYLE, ZINC PLATED STEEL, 1/2 ID X 1 OD X 7/16 W
31	1722550	4	BUTTON HEAD SOCKET CAP SCREW 18-8 STAINLESS #10-32 X 1/2
32	1730388	2	FLAT WASHER MS 15795 MIL, STAINLESS 1/4, 0.281ID X 0.625OD X 0.080THK
33	1730393	2	SPRING LOCK WASHER REGULAR, 18-8 STAINLESS 1/4"
34	1730435	2	SOCKET CAP SCREW 18-8 STAINLESS #1/4-20 X 3/4



**FIGURE 8.4 DOCUMENT INSERTION AREA**

Find #	Item ID	Qty	Item Name
1	1730318	1	PAPER SUPPORT TRAY RIGHT
2	1730317	1	PAPER SUPPORT TRAY LEFT
3	CC067010	1	COIL LOAD BRACKET
4	1730228	1	REAR ROLLER GUARD BRACKET
5	1730312	4	DECK GUIDE ROD
6	CC019000	4	ROLLER PLATE
7	CC013000	4	LINEAR BEARING BLOCK
8	1730204	2	SHAFT MOUNT BAR
9	CC083000	1	ROLLER SUB-ASSEMBLY, RIGHT
10	CC080000	1	ROLLER SUB-ASSEMBLY, LEFT
11	1730576	2	LINEAR GUIDE SHAFT
12	1730558	2	LONG STANDOFF
13	1730570	1	PAPER DECK EDGE GUIDE LH
14	1730571	1	PAPER DECK EDGE GUIDE RH
15	1730274	2	SPINE FORMER STOP ROLLER
16	1730282	10	SPINE FORMER GUIDE ROLLER
17	1730202	2	IDLER
18	1730227	2	DECK ADJUST THREADED ROD
19	1730230	2	KNURLED KNOB
20	CC190000	2	MOUNT BLOCK
21	1730309	1	SHAFT PIVOT BRACKET
22	1722548	14	FLAT WASHER MS 15795 MIL, STAINLESS #10, 0.219ID X 0.438OD X 0.065THK
23	1926063	42	SPRING LOCK WASHER REGULAR, 18-8 STAINLESS #10
24	33HXA32	8	HEX NUT 18-8 STAINLESS #10-32
25	1722549	24	SOCKET CAP SCREW 18-8 STAINLESS #10-32 X 1/2
26	1730454	10	CUP POINT SOCKET SET SCREW, STAINLESS STEEL, #10-32 X 0.125

27	1730455	4	BRASS TIPPED SOCKET SET SCREW ALLOY STEEL, BLACK FINISH #10-32 X 3/16 LGTH
28	0147080024	4	FLANGED RADIAL BALL BEARING STAINLESS, PRECISION 1/4ID X 3/8OD
29	1730409	8	FLAT HEAD SOCKET CAP SCREW 18-8 STAINLESS #10-32 X 1/2
30	1730545	2	TIMING PULLEY, BLACK POLYCARBONATE, 18MXL, 0.250B
31	1730475	2	ROUND SPACER, STAINLESS, 5/16OD X #10 ID X 3/4L
32	1730541	4	FLANGED PLAIN BEARING, NYLON, TEP 642, 5/16"ID, 5/16"LG
33	1730382	2	FENDER WASHER 18-8 STAINLESS #10, 13/64ID X 11/16OD X 0.050THK
34	1730428	4	SOCKET CAP SCREW 18-8 STAINLESS #10-32 X 1
35	1730483	2	EXTENSION SPRING 3/8OD X .037WD X 3.00LG, MUSIC WIRE
36	1722550	4	BUTTON HEAD SOCKET CAP SCREW 18-8 STAINLESS #10-32 X 1/2
37	1730415	4	SOCKET CAP SCREW 18-8 STAINLESS #6-32 X 1/4
38	1730491	4	RECESSED BUMPER RUBBER 5/8OD X 5/32ID X 9/32H
39	1730448	4	HEX NUT 18-8 STAINLESS 1/4-20
40	1730993	4	SPRING LOCK WASHER REGULAR, 18-8 STAINLESS 1/4"
41	0147021000	4	YOKE STYLE CAM FOLLOWER SEALED 3/4OD X 1/4B X 1/2W
42	1730406	4	BUTTON HEAD SOCKET CAP SCREW 18-8 STAINLESS #1/4-20 X 7/8
43	1771123000	8	SNAP-IN SLEEVE BEARING NYLON 3/8ID X 7/16OD X 0.078T
44	1730451	2	CUP POINT SOCKET SET SCREW ALLOY STEEL, BLACK FINISH #10-32 X 3/16
45	1730456	2	E-STYLE RETAINING RING SPRING STEEL, ZINC PLATED 5/16 SHAFT
46	1730474	4	ROUND SPACER, STAINLESS, 5/16OD X #10 X 3/16L
47	1730539	4	SNAP IN SLEEVE BEARING, NYLON, 5/16ID X 3/8 OD X 0.078T
48	1730397	2	NYLON FLAT WASHER, 5/16" NARROW RIM
49	1730543	1	TIMING BELT, URETHANE
50	1730426	8	SOCKET CAP SCREW 18-8 STAINLESS #10-32 X 3/4
51	1730538	8	SLEEVE BEARING, STEEL BACKED TEFLON, 3/8ID X 15/32OD X 1/2L
52	1730533	4	OIL IMP BRG SIN BRONZE, FLANGED, 1/4ID X 3/8OD X 1/4L
53	1730367	1	INSERT OVERTRAVEL STOP ASSEMBLY
53	CCS08000	1	BOOK DROP EDGE GUIDE, SPARE
54	CCS09000	1	INSERT OVERTRAVEL STOP, SPARE
54	1730366	1	BOOK DROP EDGE GUIDE ASSEMBLY

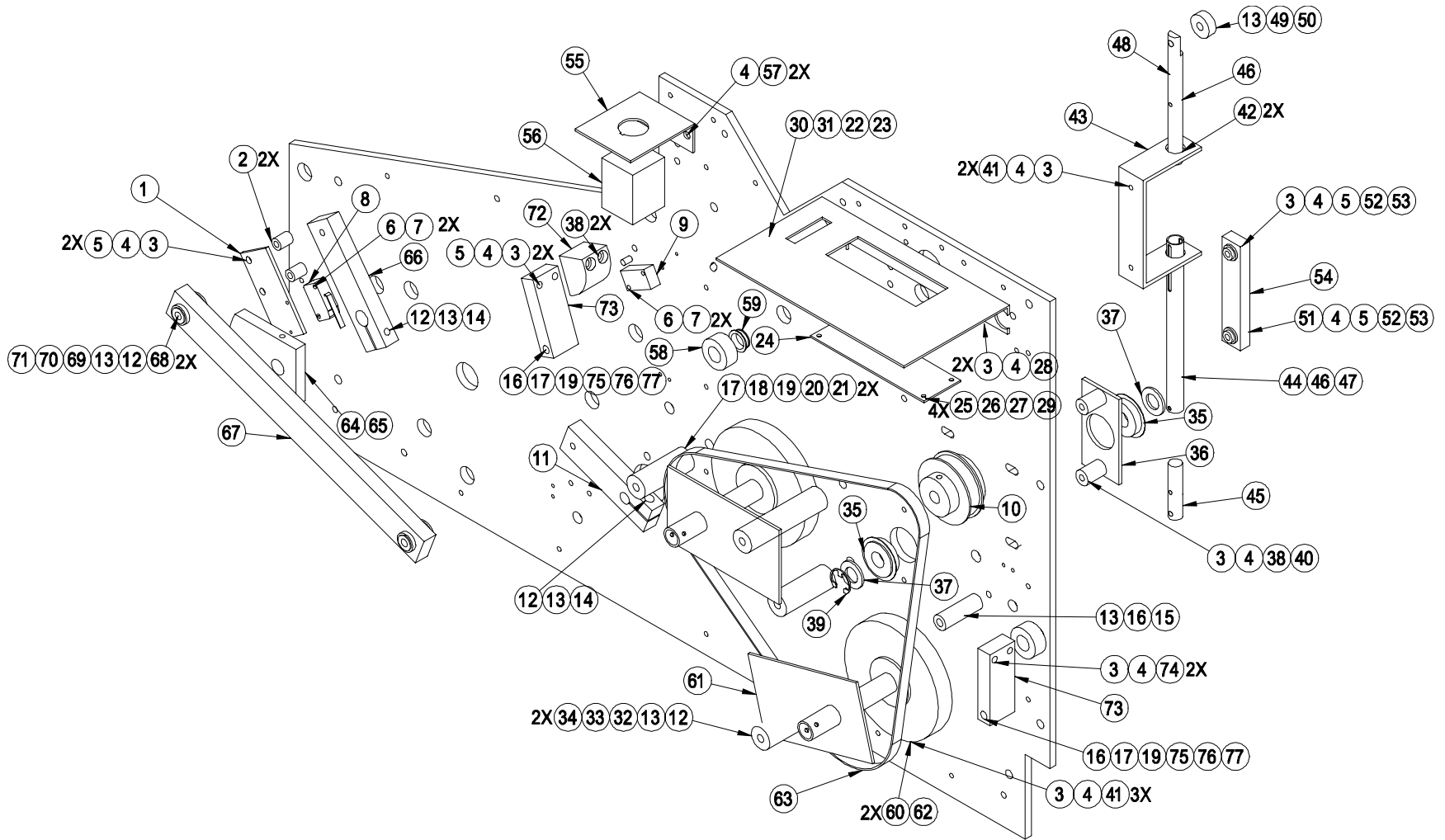


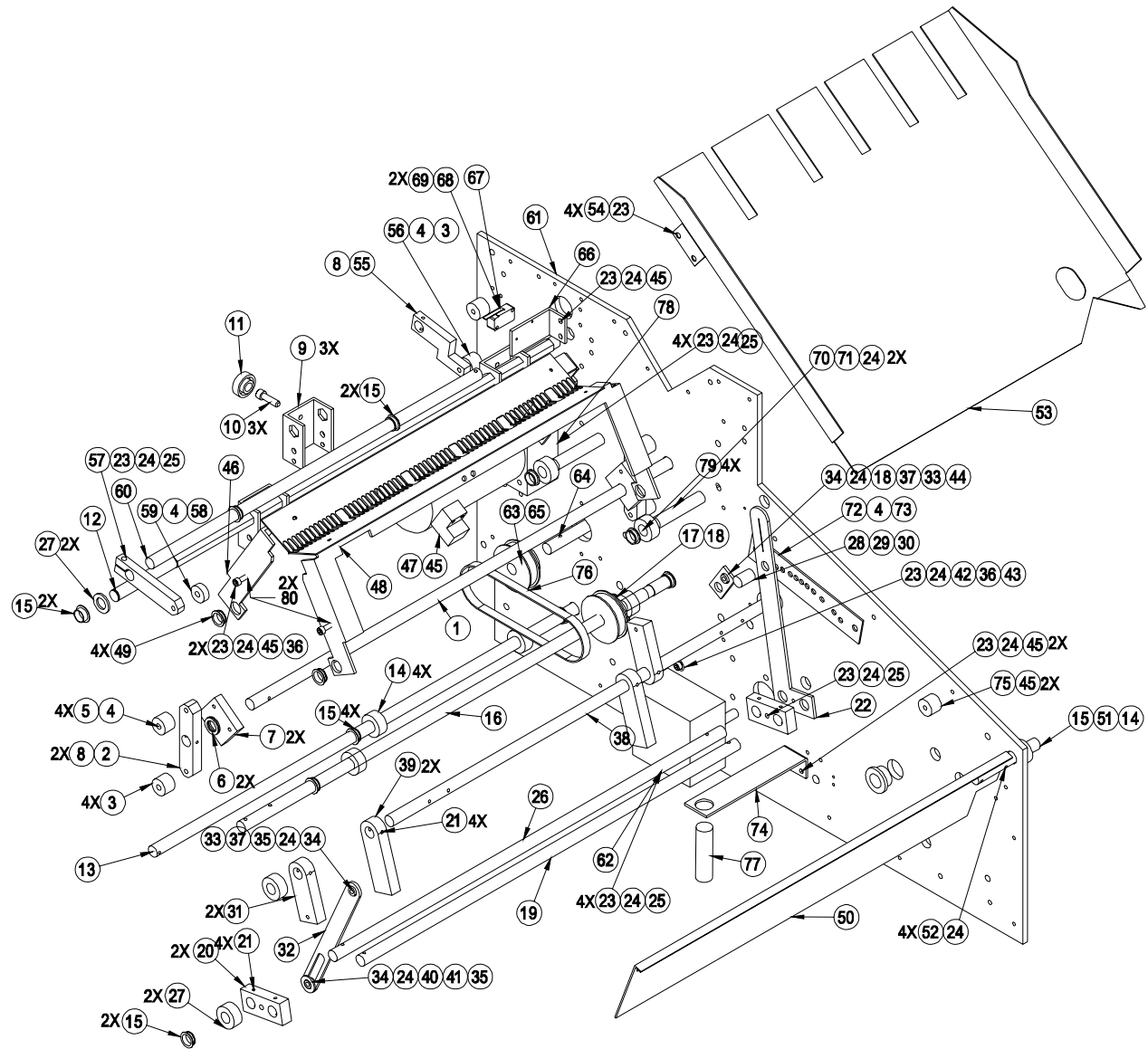
FIGURE 8.5 FRONT PANEL ASSEMBLY

**FIGURE 8.5 FRONT PANEL ASSEMBLY**

Find #	Item ID	Qty	Item Name
1	1730295	1	SWITCH MOUNT PLATE
2	9950080	2	ROUND SPACER ALUMINUM 3/8 OD X #10 X 1/2 L
3	1722548	19	FLAT WASHER MS 15795 MIL, STAINLESS #10, 0.219ID X 0.438OD X 0.065THK
4	1926063	22	SPRING LOCK WASHER REGULAR, 18-8 STAINLESS #10
5	1730428	6	SOCKET CAP SCREW 18-8 STAINLESS #10-32 X 1
6	1926060	4	SPRING LOCK WASHER REGULAR, 18-8 STAINLESS #4
7	1903300	4	PAN HEAD PHILLIPS MACHINE SCREW 18-8 STAINLESS #4-40 X 5/8
8	1771456	1	MINIATURE BATT SWITCH HIGH FORCE 1.40 STRAIGHT BATT
9	9950054000	1	MINATURE ROLLER SWITCH INTERLOCK APPROVED ROLLER ACTUATOR
10	1730232	1	MAIN MOTOR PULLEY
11	1730561	1	CRIMP MOTOR ARM
12	1730388	6	FLAT WASHER MS 15795 MIL, STAINLESS 1/4, 0.281ID X 0.625OD X 0.080THK
13	1730393	8	SPRING LOCK WASHER REGULAR, 18-8 STAINLESS 1/4"
14	1730437	2	SOCKET CAP SCREW 18-8 STAINLESS #1/4-20 X 1
15	1730469	1	ROUND SPACER ALUMINUM 1/2OD X 1/4ID X 1-1/2L
16	1730388	4	FLAT WASHER MS 15795 MIL, STAINLESS 5/16, 0.344ID X 0.688OD X 0.080THK
16	1730438	1	SOCKET CAP SCREW 18-8 STAINLESS #1/4-20 X 2
17	1926065	4	SPRING LOCK WASHER REGULAR, 18-8 STAINLESS 5/16"
18	1730440	2	SOCKET CAP SCREW 18-8 STAINLESS 5/16-18 X 1
19	9950109	4	BALL STUD FOR GAS SPRING 10MM BALL, 5/16-18 STUD
20	1730271	2	GAS SPRING STANDOFF
22	CC103010	1	KEYBOARD BRACKET
23	CC240000	1	KEYBOARD DISPLAY
24	CC242000	1	DISPLAY COVER

25	1730385	4	FLAT WASHER STAINLESS #2
26	1730392	4	SPLIT LOCK WASHER STAINLESS #2
27	1730447	4	MACHINE SCREW NUT STAINLESS 2-56
28	1922114	2	SOCKET CAP SCREW 18-8 STAINLESS #10-32 X 5/8
29	9950230	4	ROUND SPACER NYLON 1/4OD X#2ID X 3/16L
30	3VGBC082	1	KEYBOARD DECAL
31	1730683	1	KEYPAD W/TACTILE FEEDBACK
32	1730435	2	SOCKET CAP SCREW 18-8 STAINLESS #1/4-20 X 3/4
33	9950212	2	DOWEL PIN ALLOY STEEL, HARDENED AND GROUND 1/4 X 1 1/4
34	1730247	2	CLUTCH ANTIROTATION POST
35	1771425000	2	RADIAL BALL BEARING SEALED 1/2ID X 1-1/8OD X 5/16W
36	1730240	1	BEARING PLATE
37	9950195	2	MACHINERY BUSHING LOW-CARBON MILD STEEL 1/2ID X 7/8OD X 0.075THK
38	1730429	4	SOCKET CAP SCREW 18-8 STAINLESS #10-32 X 1-1/4
39	9950201000	1	E-STYLE RETAINING RING SPRING STEEL, ZINC PLATED 1/2 SHAFT
40	9950081	2	ROUND SPACER ALUMINUM 3/8OD X #10ID X 3/4L
41	1722549	8	SOCKET CAP SCREW 18-8 STAINLESS #10-32 X 1/2
42	1730540	2	SNAP IN SLEEVE BEARING, NYLON, 1/2ID X 9/16OD X 0.140T
43	1730334	1	GUIDE BRACKET
44	1730307	1	TUBE
45	1730573	1	PLUNGER PIVOT PIN
46	1730461	2	COILED SPRING PIN CARBON STEEL, PLAIN FINISH 1/8 X 1/2
47	1730478	1	COMPRESSION SPRING, MUSIC WIRE, 0.360OD X 0.042W X 3.50L
48	1730563	1	PLUNGER
49	1730404	1	BUTTON HEAD SOCKET CAP SCREW 18-8 STAINLESS #1/4-20 X 5/8
50	1730542	1	RADIAL BALL BEARING, DOUBLE SEALED, 1/4ID X 3/4OD X 9/32L
51	1730382	1	FENDER WASHER 18-8 STAINLESS #10, 13/64ID X 11/16OD X 0.050THK
52	1730531	2	OIL IMP BRG SIN BRONZE 3/8ID X 1/2OD X 1/2L PLAIN

53	1730471	2	ROUND SPACER, ZINC PLATED STEEL, 3/8OD X #10 ID X 5/8L
54	1730335	1	DETECT LINK ARM
55	1730254	1	E STOP SWITCH BRACKET
56	9950249	1	ROUND MAINTAINED MUSHROOM OPERATOR RED
57	1730425	2	SOCKET CAP SCREW 18-8 STAINLESS #10-32 X 3/8
58	1730460	1	SHAFT COLLAR, SET SCREW STYLE, ZINC PLATED STEEL, 1/2 ID X 1 OD X 7/16 W
59	9950160	1	FLANGED PLAIN BEARING NYLON 0.5010 ID X 0.5620 HOUSING BORE 7/32L
60	1771089	2	WEDGE CLUTCH PULLEY
61	1730233	2	CLUTCH MODIFIED
62	9950206	2	COILED SPRING PIN CARBON STEEL, PLAIN FINISH 1/8 X 1-1/2
63	1730544	1	TIMING BELT RUBBER 330XL037
64	1730243	1	CRIMP HOME SWITCH ACTUATOR
65	1730452	1	CUP POINT SOCKET SET SCREW ALLOY STEEL, BLACK FINISH #10-32 X 1/2
66	1730553	1	CRIMP DRIVEN ARM
67	1730316	1	CRIMP LINK ARM
68	1730535	2	OIL IMP BRG SIN BRONZE, 1/2ID X 5/8OD X 3/4L, FLANGED
69	9950220	2	NYLON FLAT WASHER, REGULAR NATURAL COLOR 1/2, 0.505 X 0.750 X 0.062 THK
70	1922125	2	SOCKET CAP SCREW 18-8 STAINLESS #1/4-20 X 1-1/2
71	1730473	2	ROUND SPACER, ZINC PLATED STEEL, 1/2OD X 1/4ID X 7/8L
72	1730306	1	INTERLOCK ACTUATOR
73	1730209	2	GAS SPRING ARM
74	1730427	2	SOCKET CAP SCREW 18-8 STAINLESS #10-32 X 7/8
75	1730494	2	FIXED FORCE GAS SPRING, 20 LB, 2.36 STROKE
76	9950108	4	METAL BALL SOCKET END FITTING FOR M6 MALE THREAD 10MM BALL
77	1730495	4	SAFETY CLIP FOR GAS SPRING END FITTING



**FIGURE 8.6 CENTER ASSEMBLY**

**FIGURE 8.6 CENTER ASSEMBLY**

Find #	Item ID	Qty	Item Name
1	1730210	1	ROLLER OPENER SHAFT
2	1730578	2	ROLLER OPEN CRANK ARM
3	0147021000	5	YOKE STYLE CAM FOLLOWER SEALED 3/4OD X 1/4B X 1/2W
4	1730393	8	SPRING LOCK WASHER REGULAR, 18-8 STAINLESS 1/4"
5	1730407	4	BUTTON HEAD SOCKET CAP SCREW 18-8 STAINLESS #1/4-20 X 1
6	9950220	2	NYLON FLAT WASHER, REGULAR NATURAL COLOR 1/2, 0.505 X 0.750 X 0.062 THK
7	1730314	2	CHUTE PIVOT BEARING
8	9950204	3	COILED SPRING PIN CARBON STEEL, PLAIN FINISH 1/8 X 3/4
9	CCS02000	1	SPINE FORMER MOUNT BRACKET WITH PINS, SPARE
10	1730434	3	SOCKET CAP SCREW 18-8 STAINLESS #1/4-20 X 5/8
11	1730488	1	KNURLED PRESS ON THUMB KNOB, BLACK PLASTIC, 1/4 SCREW 1.0 OD X 5/16 H
12	1730252	1	SPINE FORMER HEX SHAFT
13	1730264	1	CLUTCH 1 SHAFT
14	1730460	7	SHAFT COLLAR, SET SCREW STYLE, ZINC PLATED STEEL, 1/2 ID X 1 OD X 7/16 W
15	9950160	14	FLANGED PLAIN BEARING NYLON 0.5010 ID X 0.5620 HOUSING BORE 7/32L
16	1730569	1	CLUTCH 2 SHAFT
17	1730547	1	TIMING PULLEY CLR ANOD ALUM 30XL037, 1/2B
18	1922114	3	SOCKET CAP SCREW 18-8 STAINLESS #10-32 X 5/8
19	1730220	1	CRIMP INFEED SUPPORT ROD
20	1730346	2	CRIMP INFEED SUPPORT ARM
21	9950205000	8	COILED SPRING PIN CARBON STEEL, PLAIN FINISH 1/8 X 1
22	1730332	1	CRIMP DETENT LEVER
23	1722548	23	FLAT WASHER MS 15795 MIL, STAINLESS #10, 0.219ID X 0.438OD X 0.065THK
24	1926063	28	SPRING LOCK WASHER REGULAR, 18-8 STAINLESS #10

25	1730426	8	SOCKET CAP SCREW 18-8 STAINLESS #10-32 X 3/4
26	1730219	1	CRIMP INFEED PIVOT ROD
27	9950195	4	MACHINERY BUSHING LOW-CARBON MILD STEEL 1/2ID X 7/8OD X 0.075THK
28	30SLW050	1	SPRING LOCK WASHER REGULAR, 18-8 STAINLESS 1/2"
29	33HJSF13	1	HEX JAM NUT 18-8 STAINLESS 1/2-13
30	1730485	1	BALL PLUNGER, 1/2-13, 12 LB
31	1730290	2	TRAY LEVER ARM
32	1730289	1	CHUTE LINK ARM
33	9950163	2	SNAP IN NYLINER BEARING NYLON 0.375 ID X 0.0437 OD X 0.140L
34	1730427	3	FENDER WASHER 18-8 STAINLESS #10, 13/64ID X 11/16OD X 0.050THK
35	1926730	2	SOCKET CAP SCREW 18-8 STAINLESS #10-32 X 7/8
36	1730470	5	HEX NUT 18-8 STAINLESS #10-32
37	1730301	2	ROUND SPACER STEEL 3/8OD X #10ID X 1/4L
38	1730241	1	CHUTE LIFT SHAFT
39	1730394	2	CHUTE LIFT ARM
40	9950196000	1	DRILL BUSHING, HEADLESS, PRESS FIT, 0.2031ID X 3/8 OD X 1/4L
41	1722549	1	NYLON FLAT WASHER, REGULAR NATURAL COLOR 3/8, 0.390ID X 0.75OD X 0.062THK
42	32SHSFA5	1	SOCKET CAP SCREW 18-8 STAINLESS #10-32 X 1-1/2
43	3GM085D0	1	EXTENSION SPRING, MUSIC WIRE, 1.000OD X 0.085W X 4L
44	CC171000	1	SPRING SWIVEL
45	32SHSF50	14	SOCKET CAP SCREW 18-8 STAINLESS #10-32 X 1/2
46	CCS04R00	1	PLATTEN AND BRACKET, RIGHT, SPARE
47	CC082000	2	PIVOT DRIVE BLOCK
48	CCS04L00	1	PLATTEN AND BRACKET, LEFT, SPARE
49	1730540	4	SNAP IN SLEEVE BEARING, NYLON, 1/2ID X 9/16OD X 0.140T
50	1730268	1	OUTPUT PIVOTING GUARD
51	1730269	1	OUTPUT STUB SHAFT
52	1722550	4	BUTTON HEAD SOCKET CAP SCREW 18-8 STAINLESS #10-32 X 1/2

53	1730207	1	CHUTE
54	1730425	4	SOCKET CAP SCREW 18-8 STAINLESS #10-32 X 3/8
55	1730324	1	STRIPPER LOCATE ARM
56	1730406	1	BUTTON HEAD SOCKET CAP SCREW 18-8 STAINLESS #1/4-20 X 7/8
57	1730217	1	STRIPPER BRACKET SETTING ARM
58	32BHSI75	1	BUTTON HEAD SOCKET CAP SCREW 18-8 STAINLESS #1/4-20 X 3/4
59	1730542	1	RADIAL BALL BEARING, DOUBLE SEALED, 1/4ID X 3/4OD X 9/32L
60	1730278	1	STRIPPER BRACKET POSITIONING SHAFT
61	1730206	1	FRONT PLATE
62	1730528	1	GEARMOTOR, SPLIT PHASE, CAPACITOR START, 65RPM, 4.5A, 115V, 60HZ
63	1730248	1	DETECT DRIVE TIMING PULLEY
64	1730218	1	DETECT LIFT SHAFT
65	1730462	1	COILED SPRING PIN CARBON STEEL, PLAIN FINISH 1/8 X 1-1/4
66	1730253	1	SWITCH MOUNT BRACKET
67	1771456	1	MINIATURE BATT SWITCH HIGH FORCE 1.40 STRAIGHT BATT
68	1926060	2	SPRING LOCK WASHER REGULAR, 18-8 STAINLESS #4
69	32SHS856	2	SOCKET CAP SCREW 18-8 STAINLESS #4-40 X 9/16
70	1730249	2	LONG STUB SHAFT
71	1925080	2	FINISHED FLAT WASHER STEEL, CASE-HARDENED, THICK #10, 13/64ID X 1/2OD X 3/32 THK
72	1730333	1	CRIMP DETENT PLATE
73	1730433	2	SOCKET CAP SCREW 18-8 STAINLESS #1/4-20 X 1/2
74	1730345	1	SENSOR BRACKET
75	9950106000	2	RECESSED BUMPER RUBBER W/STL WASHER 3/4OD X 3/16ID X 9/16H
76	9950360000	1	TIMING BELT RUBBER 160XL037
77	4LDR0003	1	RETROREFLECTIVE PHOTOELECTRIC SENSOR NPN, SELECTABLE ON/OFF 10-30VDC
78	1730527	1	AC GEAR MOTOR, 60 RPM, 120V, 60HZ, 0.46A, 3.7NM, W/O CAPACITOR
79	9950012	4	ONE-PIECE CLAMP STYLE COLLAR STEEL, BLACK FINISH 1/2ID X 1-1/8OD X 13/32W
80	3GMC2AB5	2	EXTENSION SPRING, MUSIC WIRE, STEEL, 5/16OD X 0.020W X 2.5L



**FIGURE 8.7 REAR ASSEMBLY**

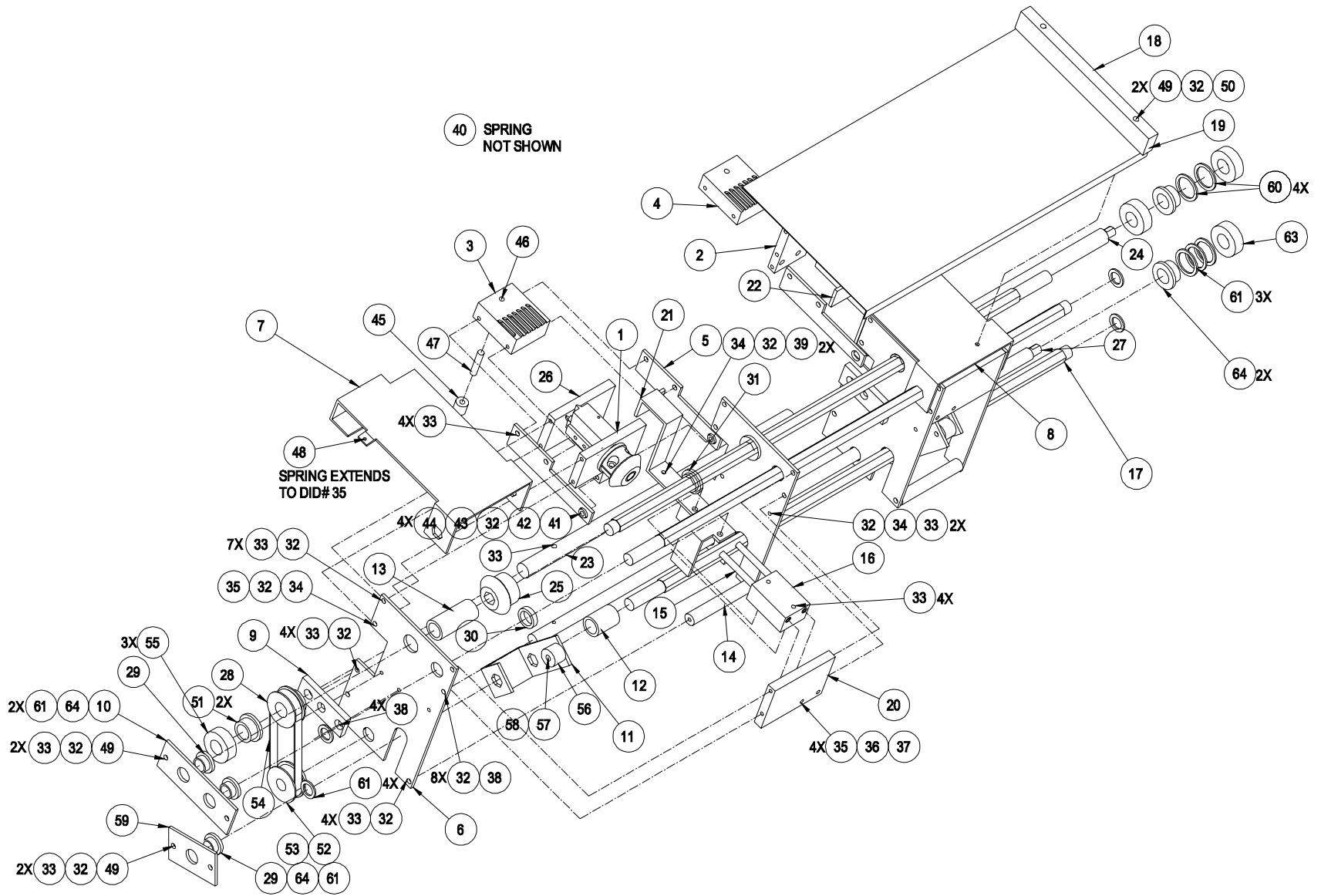
Find #	Item ID	Qty	Item Name
1	1730208	1	REAR PLATE
2	1730529	1	SYNCHRONOUS GEARMOTOR, 30RPM, 115V, 60HZ
3	1730387	9	FLAT WASHER MS 15795 MIL, STAINLESS #8, 0.188ID X 0.375OD X 0.065THK
4	1926062	9	SPRING LOCK WASHER REGULAR, 18-8 STAINLESS #8
5	1730400	4	BUTTON HEAD SOCKET CAP SCREW 18-8 STAINLESS #8-32 X 1/2
6	9950106000	2	RECESSED BUMPER RUBBER W/STL WASHER 3/4OD X 3/16ID X 9/16H
7	1722549	2	SOCKET CAP SCREW 18-8 STAINLESS #10-32 X 1/2
8	1730240	2	BEARING PLATE
9	1771425000	6	RADIAL BALL BEARING SEALED 1/2ID X 1-1/8OD X 5/16W
10	9950226	4	ROUND SPACER ALUMINUM 3/8OD X #10ID X 1L
11	1722548	22	FLAT WASHER MS 15795 MIL, STAINLESS #10, 0.219ID X 0.438OD X 0.065THK
12	1726063	32	SPRING LOCK WASHER REGULAR, 18-8 STAINLESS #10
13	1730430	12	SOCKET CAP SCREW 18-8 STAINLESS #10-32 X 1-1/2
14	1730250	2	SHORT STUB SHAFT
15	1925080	6	FINISHED FLAT WASHER STEEL, CASE-HARDENED, THICK #10, 13/64ID X 1/2OD X 3/32 THK
16	1730426	8	SOCKET CAP SCREW 18-8 STAINLESS #10-32 X 3/4
17	1730382	10	FENDER WASHER 18-8 STAINLESS #10, 13/64ID X 11/16OD X 0.050THK
18	1730541	2	FLANGED PLAIN BEARING, NYLON, TEP 642, 5/16"ID, 5/16"LG
19	1730475	1	ROUND SPACER, STAINLESS, 5/16OD X #10 ID X 3/4L
20	1730202	1	IDLER
21	1730449	2	NYLON INSERT HEX LOCK NUT 18-8 STAINLESS #10-32
22	1730379	1	MOTOR ASSEMBLY
23	1730421	4	SOCKET CAP SCREW 18-8 STAINLESS #8-32 X 5/8

24	1730303	1	INSERT CLUTCH PLATE
25	0147080024	2	FLANGED RADIAL BALL BEARING STAINLESS, PRECISION 1/4ID X 3/8OD
26	1730302	1	INSERT CLUTCH SHAFT
27	1730458	1	SELF-LOCKING EXTERNAL RETAINING RING SPRING STEEL, ZINC PLATED 1/4 SHAFT
28	1730546	1	TIMING PULLEY, BLACK POLYCARBONATE, 36MXL, 1/4B
29	9950271000	4	ROUND SPACER STEEL 1/2OD X #10ID X 1L
30	1730548	1	POWER ON BRAKE
31	1730413	4	SOCKET CAP SCREW 18-8 STAINLESS #4-40 X 1/4
32	1926060	12	SPRING LOCK WASHER REGULAR, 18-8 STAINLESS #4
33	1730288	1	CHUTE STUB SHAFT
34	9950205000	6	COILED SPRING PIN CARBON STEEL, PLAIN FINISH 1/8 X 1
35	1730297	1	CLAMP LIFT STUB SHAFT
36	1730299	1	CLAMP LIFT CRANK ARM
37	9950195	12	MACHINERY BUSHING LOW-CARBON MILD STEEL 1/2ID X 7/8OD X 0.075THK
38	1730425	6	SOCKET CAP SCREW 18-8 STAINLESS #10-32 X 3/8
39	9950201000	3	E-STYLE RETAINING RING SPRING STEEL, ZINC PLATED 1/2 SHAFT
40	9950178	4	TIMING PULLEY CLR ANOD ALUM 20XL037, 1/2B
41	1730267	1	OUTPUT MOTOR CAM
42	1730452	2	CUP POINT SOCKET SET SCREW ALLOY STEEL, BLACK FINISH #10-32 X 1/2
43	9950054000	2	MINATURE ROLLER SWITCH INTERLOCK APPROVED ROLLER ACTUATOR
44	1903300	8	PAN HEAD PHILLIPS MACHINE SCREW 18-8 STAINLESS #4-40 X 5/8
45	9950231	1	ROUND STANDOFF ALUMINUM 1/2OD X #10-32 X 1-1/2L
46	1730295	2	SWITCH MOUNT PLATE
47	1771456	2	MINIATURE BATT SWITCH HIGH FORCE 1.40 STRAIGHT BATT
48	9950081	2	ROUND SPACER ALUMINUM 3/8OD X #10ID X 3/4L
49	1730466	4	ROUND SPACER, ALUMINUM, 0.375OD X 0.192ID X 2L
50	1730429	3	SOCKET CAP SCREW 18-8 STAINLESS #10-32 X 1-1/4
51	1730432	4	SOCKET CAP SCREW 18-8 STAINLESS #10-32 X 2-1/2

52	1730275	1	BEARING PLATE
53	1730294	1	SPINE FORMER CRANK ARM
54	1730277	1	SPINE FORMER LIFT STUB SHAFT
55	0147021000	2	TIMING BELT RUBBER 150XL037
55	9950066	1	TIMING BELT RUBBER 170XL037
56	1730293	1	STRIPPER BRACKET LIFT CAM
57	1730549	1	POWER ON CLUTCH
58	1730311	1	INSERT DRIVE CLUTCH PULLEY
59	1730450	2	CUP POINT SOCKET SET SCREW ALLOY STEEL, BLACK FINISH #6-32 X 1/8
60	1730537	1	BRONZE OILITE, PLAIN, 1/4ID X 5/16 OD X 1/2 LG
61	014701000	1	TIMING BELT RUBBER 100XL037
62	1730555	1	INSERT MOTOR PULLEY
63	1730423	1	SOCKET CAP SCREW, 18-8 STAINLESS, #8-32 X 2-1/2
64	1722553	1	HEX NUT 18-8 STAINLESS #8-32
65	1726730	6	HEX NUT 18-8 STAINLESS #10-32
66	1730431	2	SOCKET CAP SCREW 18-8 STAINLESS #10-32 X 1 3/4
67	1730234	1	EXIT GUIDE
68	1926065	2	SPRING LOCK WASHER REGULAR, 18-8 STAINLESS 5/16"
69	32SHSKA3	1	SOCKET CAP SCREW, 18-8 STAINLESS, 5/16-18 X 1-1/4
70	9950170	1	YOKE STYLE CAM FOLLOWER SEALED 1OD X 5/16B X 5/8W
71	1730280	1	TENSION ARM
72	1730389	1	FLAT WASHER MS 15795 MIL, STAINLESS 5/16, 0.344ID X 0.688OD X 0.080THK
73	1730439	1	SOCKET CAP SCREW, 18-8 STAINLESS, 5/16-18 X 0.75
74	CCS06000	1	TIMING PULLEY WITH PINS, SPARE
75	9950206	1	COILED SPRING PIN CARBON STEEL, PLAIN FINISH 1/8 X 1-1/2
76	1771218	1	PULLEY
77	9950067	1	TIMING BELT RUBBER 290XL037
78	CCS07000	1	STRIP CRANK ARM WITH PINS, SPARE

79	1730236	1	CLAMP ROCKER ARM
80	1730393	3	SPRING LOCK WASHER REGULAR, 18-8 STAINLESS 1/4"
81	1730437	3	SOCKET CAP SCREW 18-8 STAINLESS #1/4-20 X 1
82	0147021000	1	YOKE STYLE CAM FOLLOWER SEALED 3/4OD X 1/4B X 1/2W
83	1730388	2	FLAT WASHER MS 15795 MIL, STAINLESS 1/4, 0.281ID X 0.625OD X 0.080THK
84	1730308	1	STRIP ROCKER ARM
85	1730337	1	CLAMP LIFT LINK
86	9950163	5	SNAP IN NYLINER BEARING NYLON 0.375 ID X 0.0437 OD X 0.140L
87	1730470	6	ROUND SPACER STEEL 3/8OD X #10ID X 1/4L
88	1730540	1	SNAP IN SLEEVE BEARING, NYLON, 1/2ID X 9/16OD X 0.140T
89	1730347	1	STRIP LINK
90	1730470	1	ROUND SPACER, STEEL, 0.500 OD X 0.192 ID X 0.625 LG
91	1730394	2	DRILL BUSHING, HEADLESS, PRESS FIT, 0.2031ID X 3/8 OD X 1/4L
92	1925221	4	NYLON FLAT WASHER, NARROW RIM NATURAL COLOR 3/8ID X 9/16 X 1/32THK
93	1730270	1	SPINEFORMER CLAMPED ARM
94	1730248	2	SOCKET CAP SCREW 18-8 STAINLESS #10-32 X 1
95	CCS05000	1	SPINE FORMER ACTUATE BAR, SPARE
96	9950220	2	NYLON FLAT WASHER, REGULAR NATURAL COLOR 1/2, 0.505 X 0.750 X 0.062 THK
97	9950233	1	EXTENSION SPRING MUSIC WIRE 0.375OD X 0.031W X 2.25L
98	1730484	1	EXTENSION SPRING, MUSIC WIRE, 0.500OD X 0.049W X 2L
99	1730325	1	SPINE FORMER LINKAGE
100	1922114	1	SOCKET CAP SCREW 18-8 STAINLESS #10-32 X 5/8
101	1730396	2	NYLON FLAT WASHER, NARROW RIM, NATURAL COLOR, 5/16ID X 1/2OD X 0.031
102	1730242	1	OUTPUT CAM ARM
103	9950080	1	ROUND SPACER ALUMINUM 3/8 OD X #10 X 1/2 L
104	1730269	1	OUTPUT STUB SHAFT
105	1730266	1	OUTPUT SWITCH CAM
106	1730455	1	BRASS TIPPED SOCKET SET SCREW ALLOY STEEL, BLACK FINISH #10-32 X 3/16 LGTH

107	9950204	1	COILED SPRING PIN CARBON STEEL, PLAIN FINISH 1/8 X 3/4
108	1730281	1	OUTPUT CRANK ARM
109	1730265	1	OUTPUT LINK ARM
110	1730427	1	SOCKET CAP SCREW 18-8 STAINLESS #10-32 X 7/8
111	9950079	1	ROUND SPACER ALUMINUM 5/16OD X #10ID X 1/4L
112	1730483	1	EXTENSION SPRING 3/8OD X .037WD X 3.00LG, MUSIC WIRE
113	1730323	1	STRIPPER FOLLOWER ARM
114	1730460	1	SHAFT COLLAR, SET SCREW STYLE, ZINC PLATED STEEL, 1/2 ID X 1 OD X 7/16 W
115	1730287	1	CHUTE CRANK ARM



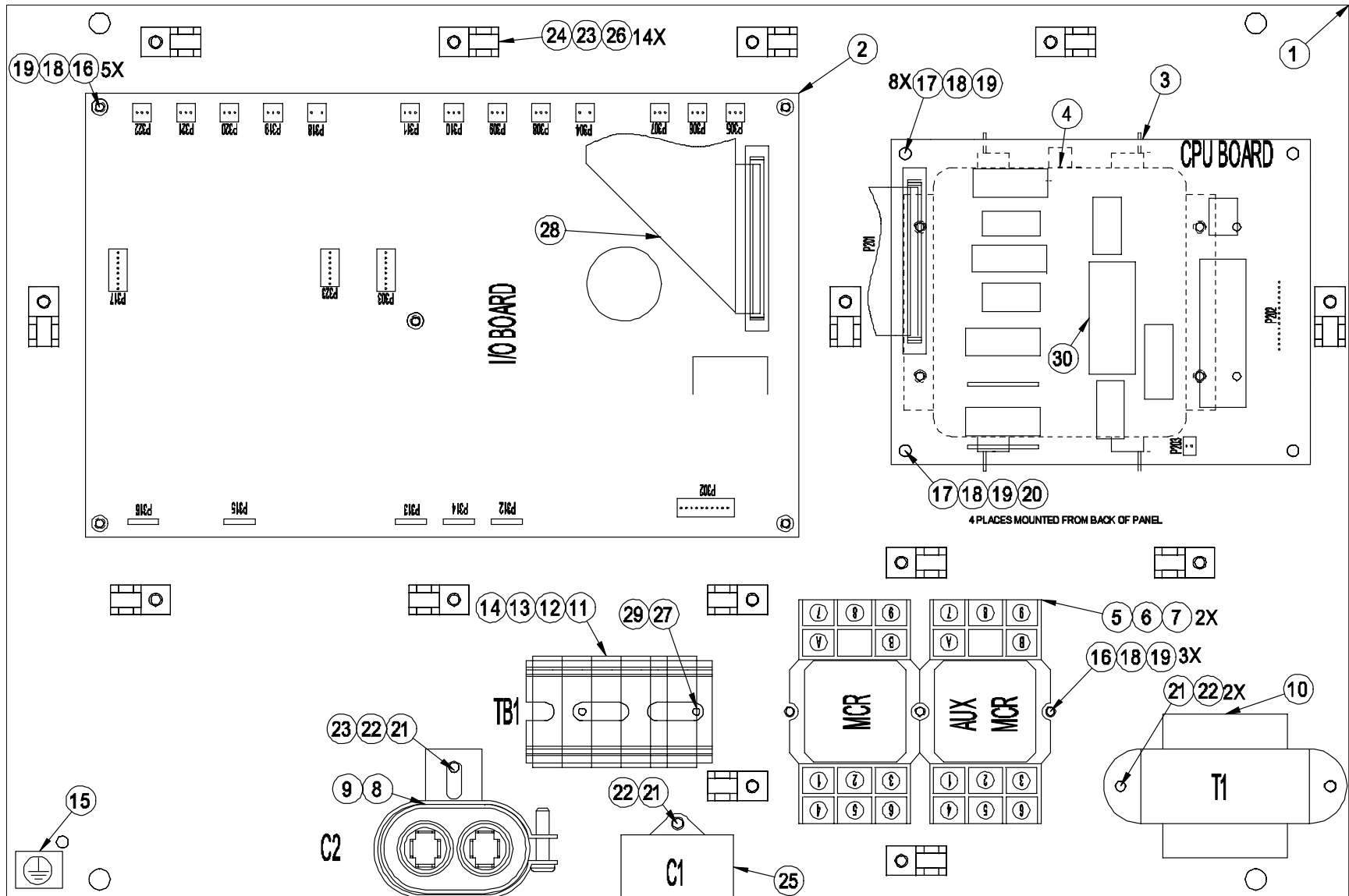
**FIGURE 8.8 CUT & CRIMP ASSEMBLY**

**FIGURE 8.8 CUT & CRIMP ASSEMBLY**

<b>Find #</b>	<b>Item ID</b>	<b>Qty</b>	<b>Item Name</b>
1	1730624	1	CRIMPER SUBASSEMBLY, REAR, SPARE
2	1730623	1	CRIMPER SUBASSEMBLY, FRONT, SPARE
3	1730341	1	CRIMP GUIDE BLOCK REAR
4	1730319	1	CRIMP GUIDE BLOCK FRONT
5	1730559	4	BLOCK PIVOT PLATE
6	1730310	4	CRIMP SIDE PLATE
7	1730300	1	REAR CLAMP BRACKET
8	1730296	1	FRONT CLAMP BRACKET
9	1730291	2	NUT PLATE
10	1730292	1	SCAB PLATE
11	1730315	2	CRIMP STRIP DRIVE BRACKET
12	1730322	2	CRIMP SPACER
13	1730336	2	GEAR SPACER
14	1730304	2	CRIMP SIDE PLATE STANDOFF
15	1730326	4	CRIMP STRIP GUIDE ROD
16	1730556	2	CRIMP STRIPPER BRACKET BLOCK
17	1730342	3	CLAMP LIFT HEX SHAFT
18	1730239	1	EXIT EDGE GUIDE
19	1730221	1	CRIMP DECK PLATE
20	1730284	2	CRIMP OUTPUT PLATE
21	1730344	1	CRIMP STRIPPER BRACKET REAR
22	1730343	1	CRIMP STRIPPER BRACKET FRONT
23	1730564	1	CRIMP ADJUST THREADED ROD REAR
24	1730565	1	CRIMP ADJUST THREADED ROD FRONT
25	1730579	2	HEX BROACHED MITER GEAR

26	1730276	2	CRIMPER STIFFENER BAR
27	1730340	1	CRIMP ADJUST TRANSFER ROD
28	1730339	1	CRIMP ADJUST PULLEY
29	1730534	3	OIL IMP BRG SIN BRONZE, 1/2ID X 5/8OD X 3/8L, FLANGED
30	1730231	4	CRIMP CLAMP SPACER
31	1730557	4	HEX BUSHING
32	1926063	42	SPRING LOCK WASHER REGULAR, 18-8 STAINLESS #10
33	1722549	38	SOCKET CAP SCREW 18-8 STAINLESS #10-32 X 1/2
34	1926730	5	HEX NUT 18-8 STAINLESS #10-32
35	1730387	4	FLAT WASHER MS 15795 MIL, STAINLESS #8, 0.188ID X 0.375OD X 0.065THK
35	1730428	1	SOCKET CAP SCREW 18-8 STAINLESS #10-32 X 1
36	1926062	4	SPRING LOCK WASHER REGULAR, 18-8 STAINLESS #8
37	1730422	4	SOCKET CAP SCREW 18-8 STAINLESS #8-32 X 3/4
38	1722550	8	BUTTON HEAD SOCKET CAP SCREW 18-8 STAINLESS #10-32 X 1/2
38	1730409	4	FLAT HEAD SOCKET CAP SCREW 18-8 STAINLESS #10-32 X 1/2
39	1730401	2	BUTTON HEAD SOCKET CAP SCREW 18-8 STAINLESS #10-32 X 3/8
40	1730482	2	EXTENSION SPRING, MUSIC WIRE, STEEL, 11/32OD X 0.025W X 1-7/8L
41	9950163	4	SNAP IN NYLINER BEARING NYLON 0.375 ID X 0.0437 OD X 0.140L
42	1925221	4	NYLON FLAT WASHER, NARROW RIM NATURAL COLOR 3/8ID X 9/16 X 1/32THK
43	1730470	4	ROUND SPACER STEEL 3/8OD X #10ID X 1/4L
44	1922114	4	SOCKET CAP SCREW 18-8 STAINLESS #10-32 X 5/8
45	1730448	2	HEX NUT 18-8 STAINLESS 1/4-20
46	1730453	2	CUP POINT SOCKET SET SCREW, ALLOY STEEL, BLACK FINISH, 1/4-20 X 1-1/4
47	1730476	2	HEX STANDOFF, NYLON, 1/2L X 1/2W X 1/4-20
48	6178009	1	EXTENSION SPRING MUSIC WIRE, PLATED 3/8OD X 0.026W X 1-1/2L
49	1722548	6	FLAT WASHER MS 15795 MIL, STAINLESS #10, 0.219ID X 0.438OD X 0.065THK
50	1730430	2	SOCKET CAP SCREW 18-8 STAINLESS #10-32 X 1-1/2
51	1730536	2	PLAIN BEARING, BRONZE, OILITE, FLANGED, 5/8ID X 7/8OD X 1/2L

52	1771218	1	PULLEY
53	9950205000	1	COILED SPRING PIN CARBON STEEL, PLAIN FINISH 1/8 X 1
54	0147010300	1	TIMING BELT RUBBER 110XL037
55	1730459	3	ONE-PIECE CLAMP STYLE COLLAR ALUMINUM 5/8ID X 1-5/16OD X 7/16W
56	0147010300	2	YOKE STYLE CAM FOLLOWER SEALED 3/4OD X 1/4B X 1/2W
57	1730393	2	SPRING LOCK WASHER REGULAR, 18-8 STAINLESS 1/4"
58	1730436	2	SOCKET CAP SCREW 18-8 STAINLESS #1/4-20 X 7/8
59	1730259	1	PLATE
60	31NYF088	4	NYLON FLAT WASHER, REGULAR, NATURAL COLOR, 7/8 X 1-1/8 X 1/16 THK
61	9950195	10	MACHINERY BUSHING LOW-CARBON MILD STEEL 1/2ID X 7/8OD X 0.075THK
62	1730398	2	NYLON FLAT WASHER, NARROW RIM NATURAL COLOR 5/8ID X 13/16OD X 1/32THK
63	1730460	1	SHAFT COLLAR, SET SCREW STYLE, ZINC PLATED STEEL, 1/2 ID X 1 OD X 7/16 W
64	9950160	6	FLANGED PLAIN BEARING NYLON 0.5010 ID X 0.5620 HOUSING BORE 7/32L
65	1730540	2	SNAP IN SLEEVE BEARING, NYLON, 1/2ID X 9/16OD X 0.140T



**8.9 ELECTRICAL PANEL**

## 8.9 ELECTRICAL PANEL

Find #	Item ID	Qty	Item Name
1	1730257	1	ELECTRICAL PANEL
2	1730530	1	I/O CIRCUIT BOARD ASSEMBLY, COLOR COIL
3	1774516	1	CPU CIRCUIT BOARD ASSY P2
4	1771410	1	LINE FILTER
5	1771399	2	SQUARE RELAY SOCKET DIN/SCRW MOUNT, SCREW TERMINALS 11 PIN 300VAC 15A
6	9950052	4	HOLD DOWN SPRING STEEL FITS 4H100005
7	6240007	2	SQUARE BASE SOCKET MOUNT RELAY 3PDT
8	1730523	1	CAPACITOR, 15MFD, 370V
9	1771386000	1	CAPACITOR MOUNTING KIT
10	6207003	1	TRANSFORMER
11	9950118000	3	DOUBLE TERMINAL BLOCK GREY THERMOSET 4 CONDUCTOR
12	9950117000	1	TERMINAL BLOCK END PLATE GREY THERMOSET 2 CONDUCTOR
13	9950311000	2	MOUNTING ADAPTER GREY
14	CC245000	1	DIN RAIL
15	1128410000	1	GROUND LABEL VINYL COVERED PAPER 5/8 X 5/8
16	1730418	12	SOCKET CAP SCREW 18-8 STAINLESS #6-32 X 5/8
17	1730417	8	SOCKET CAP SCREW 18-8 STAINLESS #6-32 X 7/16
18	1722552	20	SPRING LOCK WASHER REGULAR, 18-8 STAINLESS #6
19	1730386	20	FLAT WASHER MS 15795 MIL, STAINLESS #6, 0.156ID X 0.375OD X 0.065THK
20	1771413	4	HEX STANDOFF ZINC PLATE BRASS 1/4HEX X #6-32 X 2L
21	1730420	4	SOCKET CAP SCREW 18-8 STAINLESS #8-32 X 3/8
22	1926062	18	SPRING LOCK WASHER REGULAR, 18-8 STAINLESS #8
23	1730387	3	FLAT WASHER MS 15795 MIL, STAINLESS #8, 0.188ID X 0.375OD X 0.065THK

24	1730399	14	BUTTON HEAD SOCKET CAP SCREW 18-8 STAINLESS #8-32 X 1/4
25	1730522	1	CAPACITOR, 6.5MF, INCLUDED W/MOTOR 4T-BCC-004
26	9950304000	14	SCREW CABLE TIE HOLDER WHITE NYLON #8 HOLE
27	1730443	2	TRUSS HEAD PHILLIPS MACHINE SCREW 18-8 STAINLESS #10-32 X 3/8
28	1774859	1	CPU TO I/O RIBBON CABLE 40 PIN 6.75 IN
29	1926063	2	SPRING LOCK WASHER REGULAR, 18-8 STAINLESS #10
30	1730369	1	PROGRAMMED EPROM, 60HZ

**NOTE: 3FMU16A0 - 1730479 SPRINGS FOR CUT CRIMP ASSY.  
1722847 – LH ROLLER PLATE W/ BEARING  
1722848 - RH ROLLER PLATE W/ BEARING**

## 9. DIGICOIL CROSS REFERENCE PARTS LIST

GBC P/N	ASTERISK P/N	Description
0147000300	2ZADTUM8	UHMW POLYETHYLENE TAPE ACRYLIC ADHESIVE 0.008" X 1.000"
014701000	6BTX410R	TIMING BELT RUBBER 100XL037
0147010300	6BTX411R	TIMING BELT RUBBER 110XL037
0147010700	6BTX415R	TIMING BELT RUBBER 150XL037
0147021000	63CYS075	YOKE STYLE CAM FOLLOWER SEALED 3/4OD X 1/4B X 1/2W
0147080024	61RIF460	FLANGED RADIAL BALL BEARING STAINLESS, PRECISION 1/4ID X 3/8OD
1128410000	3VGBC008	GROUND LABEL VINYL COVERED PAPER 5/8 X 5/8
1132343	4FZPM001	SLOTTED PANEL FUSE HOLDER BLACK 1/4 X 1 1/4 (3AG)
1722548	30FMS130	FLAT WASHER MS 15795 MIL, STAINLESS #10, 0.219ID X 0.438OD X 0.065THK
1722549	32SHSF50	SOCKET CAP SCREW 18-8 STAINLESS #10-32 X 1/2
1722550	32BHSF50	BUTTON HEAD SOCKET CAP SCREW 18-8 STAINLESS #10-32 X 1/2
1722552	30SLW006	SPRING LOCK WASHER REGULAR, 18-8 STAINLESS #6
1722553	33HXS832	HEX NUT 18-8 STAINLESS #8-32
1730200	CC038000	STRIPPER BRACKET
1730201	CC039000	LEG MOUNT BRACKET
1730202	CC040000	IDLER
1730203	CC041000	DETECT PIVOT BRACKET
1730204	CC042000	SHAFT MOUNT BAR
1730205	CC043000	ROUND DETECT DRIVE
1730206	CC044000	FRONT PLATE
1730207	CC045000	CHUTE
1730208	CC046000	REAR PLATE
1730209	CC047000	GAS SPRING ARM
1730210	CC049000	ROLLER OPENER SHAFT
1730211	CC050000	STRIPPER BRACKET REAR ARM
1730212	CC051000	LOADING PIVOT SHAFT
1730213	CC052000	CROSS BAR
1730214	CC053000	REAR COVER
1730215	CC054000	LEFT COVER
1730216	CC055000	DETECT ARM
1730217	CC056000	STRIPPER BRACKET SETTING ARM
1730218	CC057000	DETECT LIFT SHAFT
1730219	CC059000	CRIMP INFEED PIVOT ROD
1730220	CC060000	CRIMP INFEED SUPPORT ROD
1730221	CC061000	CRIMP DECK PLATE
1730222	CC064000	NUT BLOCK
1730223	CC066000	ELECTRICAL BOX
1730224	CC067000	LOADING GUIDE BRACKET
1730225	CC068000	OUTPUT TRAY BRACKET
1730226	CC069000	WASTE CHUTE
1730227	CC070000	DECK ADJUST THREADED ROD
1730228	CC071000	REAR ROLLER GUARD BRACKET
1730229	CC072000	STANDOFF ROD
1730230	CC074000	KNURLED KNOB
1730231	CC075000	CRIMP CLAMP SPACER
1730232	CC076000	MAIN MOTOR PULLEY
1730233	CC077000	CLUTCH MODIFIED
1730234	CC078000	EXIT GUIDE
1730235	CC079000	KNURLED KNOB W/ HANDLE
1730236	CC084000	CLAMP ROCKER ARM
1730237	CC085000	STRIPPER BRACKET FRONT ARM
1730238	CC086000	CLAMPING BEVEL GEAR
1730239	CC087000	EXIT EDGE GUIDE
1730240	CC088000	BEARING PLATE

1730241	CC089000	CHUTE LIFT ARM
1730242	CC090000	OUTPUT CAM ARM
1730243	CC091000	CRIMP HOME SWITCH ACTUATOR
1730244	CC092000	CRIMP PLATE REAR
1730245	CC093000	CRIMP PLATE FRONT
1730246	CC094000	SPINEFORMER ACCESS COVER
1730247	CC095000	CLUTCH ANTIROTATION POST
1730248	CC096000	DETECT DRIVE TIMING PULLEY
1730249	CC097000	LONG STUB SHAFT
1730250	CC098000	SHORT STUB SHAFT
1730251	CC099000	BACKSTOP
1730252	CC100000	SPINE FORMER HEX SHAFT
1730253	CC101000	SWITCH MOUNT BRACKET
1730254	CC102000	E STOP SWITCH BRACKET
1730255	CC103000	KEYBOARD BRACKET
1730256	CC104000	JOG SHELF
1730257	CC106000	ELECTRICAL PANEL
1730258	CC107000	TRIPLE 40T TIMING PULLEY
1730259	CC108000	PLATE
1730260	CC109000	LEFT BASE LEG
1730261	CC110000	RIGHT BASE LEG
1730262	CC111000	FRONT COVER STANDOFF
1730263	CC112000	REAR COVER STANDOFF
1730264	CC113000	CLUTCH 1 SHAFT
1730265	CC115000	OUTPUT LINK ARM
1730266	CC117000	OUTPUT SWITCH CAM
1730267	CC118000	OUTPUT MOTOR CAM
1730268	CC119000	OUTPUT PIVOTING GUARD
1730269	CC120000	OUTPUT STUB SHAFT
1730270	CC121000	SPINEFORMER CLAMPED ARM
1730271	CC122000	GAS SPRING STANDOFF
1730272	CC135000	SPINE FORMER MOUNT BRACKET
1730273	CC136000	SPINE FORMER ACTUATE BAR
1730274	CC137000	SPINE FORMER STOP ROLLER
1730275	CC138000	BEARING PLATE
1730276	CC139000	CRIMPER STIFFENER BAR
1730277	CC140000	SPINE FORMER LIFT STUB SHAFT
1730278	CC141000	STRIPPER BRACKET POSITIONING SHAFT
1730279	CC142000	CRIMP DRIVE HEX SHAFT
1730280	CC143000	TENSION ARM
1730281	CC144000	OUTPUT CRANK ARM
1730282	CC146000	SPINE FORMER GUIDE ROLLER
1730283	CC148000	COIL LOAD BRACKET
1730284	CC151000	CRIMP OUTPUT PLATE
1730285	CC152000	CRIMP BLOCK
1730286	CC153000	STATIONARY CLAMP
1730287	CC154000	CHUTE CRANK ARM
1730288	CC155000	CHUTE STUB SHAFT
1730289	CC156000	CHUTE LINK ARM
1730290	CC157000	TRAY LEVER ARM
1730291	CC158000	NUT PLATE
1730292	CC159000	SCAB PLATE
1730293	CC160000	STRIPPER BRACKET LIFT CAM
1730294	CC161000	SPINE FORMER CRANK ARM
1730295	CC162000	SWITCH MOUNT PLATE
1730296	CC165000	FRONT CLAMP BRACKET
1730297	CC166000	CLAMP LIFT STUB SHAFT
1730298	CC167000	STRIP CRANK ARM
1730299	CC168000	CLAMP LIFT CRANK ARM

1730300	CC169000	REAR CLAMP BRACKET
1730301	CC170000	CHUTE LIFT SHAFT
1730302	CC172000	INSERT CLUTCH SHAFT
1730303	CC173000	INSERT CLUTCH PLATE
1730304	CC178000	CRIMP SIDE PLATE STANDOFF
1730305	CC180000	CLEAR COVER PIVOT SHAFT
1730306	CC181000	INTERLOCK ACTUATOR
1730307	CC182000	TUBE
1730308	CC184000	STRIP ROCKER ARM
1730309	CC185000	SHAFT PIVOT BRACKET
1730310	CC189000	CRIMP SIDE PLATE
1730311	CC193000	INSERT DRIVE CLUTCH PULLEY
1730312	CC195000	DECK GUIDE ROD
1730313	CC196000	CROSS BAR
1730314	CC198000	CHUTE PIVOT BEARING
1730315	CC199000	CRIMP STRIP DRIVE BRACKET
1730316	CC201000	CRIMP LINK ARM
1730317	CC202000	PAPER SUPPORT TRAY LEFT
1730318	CC203000	PAPER SUPPORT TRAY RIGHT
1730319	CC204000	CRIMP GUIDE BLOCK FRONT
1730320	CC205000	ELECTRICAL CONDUIT COVER
1730321	CC207000	OUTPUT GUARD PLATE
1730322	CC208000	CRIMP SPACER
1730323	CC209000	STRIPPER FOLLOWER ARM
1730324	CC210000	STRIPPER LOCATE ARM
1730325	CC211000	SPINE FORMER LINKAGE
1730326	CC212000	CRIMP STRIP GUIDE ROD
1730327	CC213000	CRIMP CLAMP ARM
1730328	CC215000	SUPPORT BRACKET
1730329	CC217000	SPINEFORMER COVER PIVOT SHAFT
1730330	CC218000	ELECTRICAL BOX COVER
1730331	CC219000	ELECTRICAL CONDUIT
1730332	CC220000	CRIMP DETENT LEVER
1730333	CC221000	CRIMP DETENT PLATE
1730334	CC224000	GUIDE BRACKET
1730335	CC226000	DETECT LINK ARM
1730336	CC227000	GEAR SPACER
1730337	CC229000	CLAMP LIFT LINK
1730338	CC230000	CRIMP CUT SHAFT
1730339	CC233000	CRIMP ADJUST PULLEY
1730340	CC234000	CRIMP ADJUST TRANSFER ROD
1730341	CC235000	CRIMP GUIDE BLOCK REAR
1730342	CC236000	CLAMP LIFT HEX SHAFT
1730343	CC238F00	CRIMP STRIPPER BRACKET FRONT
1730344	CC238R00	CRIMP STRIPPER BRACKET REAR
1730345	CC239000	SENSOR BRACKET
1730346	CC243000	CRIMP INFEED SUPPORT ARM
1730347	CC244000	STRIP LINK
1730348	CC248000	OUTPUT LID
1730349	CC908000	8MM SPINE FORMER
1730350	CC910000	10MM SPINE FORMER
1730351	CC911000	11MM SPINE FORMER
1730352	CC912000	12MM SPINE FORMER
1730353	CC913000	13MM SPINE FORMER
1730354	CC914000	14MM SPINE FORMER
1730355	CC916000	16MM SPINE FORMER
1730356	CC918000	18MM SPINE FORMER
1730357	CC920000	20MM SPINE FORMER
1730358	CC922000	22MM SPINE FORMER

1730359	CC925000	25MM SPINE FORMER
1730360	CC930000	30MM SPINE FORMER
1730361	CC933000	33MM SPINE FORMER
1730362	CCA70000	WIRED ELECTRICAL PANEL ASSEMBLY
1730363	CCA72000	COLOR COIL WIRE HARNESS
1730364	CCA78000	KEYPAD RIBBON CABLE
1730365	CCA79000	LCD RIBBON CABLE
1730366	CCA80000	BOOK DROP EDGE GUIDE ASSEMBLY
1730367	CCA81000	INSERT OVERTRAVEL STOP ASSEMBLY
1730368	CCA82000	SET OF SPINEFORMERS
1730369	CCE01000	PROGRAMMED EPROM, 60HZ
1730379	WSA71000	MOTOR ASSEMBLY
1730380	2CSD1015	DELTRIN (ACETAL) STRIP, 0.015 X 1.00 WIDE
1730381	30ETS025	EXTERNAL TOOTH LOCK WASHER 410 STAINLESS 1/4, 0.267ID X 0.510OD X 0.023THK
1730382	30FDS103	FENDER WASHER 18-8 STAINLESS #10, 13/64ID X 11/16OD X 0.050THK
1730383	30FFH025	FINISHED FLAT WASHER STEEL, CASE-HARDENED, THICK 1/4, 9/32ID X 5/8OD X 1/8THK
1730384	30FFH063	FINISHED FLAT WASHER, STEEL, CASE-HARDENED, THICK, 5/8, 21/32 ID X 1-3/8 OD X 1/8 THK
1730385	30FMS100	FLAT WASHER STAINLESS #2
1730386	30FMS116	FLAT WASHER MS 15795 MIL, STAINLESS #6, 0.156ID X 0.375OD X 0.065THK
1730387	30FMS125	FLAT WASHER MS 15795 MIL, STAINLESS #8, 0.188ID X 0.375OD X 0.065THK
1730388	30FMS155	FLAT WASHER MS 15795 MIL, STAINLESS 1/4, 0.281ID X 0.625OD X 0.080THK
1730389	30FMS185	FLAT WASHER MS 15795 MIL, STAINLESS 5/16, 0.344ID X 0.688OD X 0.080THK
1730390	30ITS010	INTERNAL TOOTH LOCK WASHER 401 STAINLESS #10, 0.204ID X 0.381OD X 0.020THK
1730391	30ITS025	INTERNAL TOOTH LOCK WASHER 401 STAINLESS 1/4, 0.267ID X 0.478OD X 0.023THK
1730392	30SLW002	SPLIT LOCK WASHER STAINLESS #2
1730393	30SLW025	SPRING LOCK WASHER REGULAR, 18-8 STAINLESS 1/4"
1730394	31DRB004	DRILL BUSHING, HEADLESS, PRESS FIT, 0.2031ID X 3/8 OD X 1/4L
1730395	31NSW311	NEOPRENE SEALING WASHER STAINLESS/NEOPRENE .200 ID X 5/8 OD
1730396	31NYF031	NYLON FLAT WASHER, NARROW RIM, NATURAL COLOR, 5/16ID X 1/2OD X 0.031
1730397	31NYN031	NYLON FLAT WASHER, 5/16" NARROW RIM
1730398	31NYN210	NYLON FLAT WASHER, NARROW RIM NATURAL COLOR 5/8ID X 13/16OD X 1/32THK
1730399	32BHSE25	BUTTON HEAD SOCKET CAP SCREW 18-8 STAINLESS #8-32 X 1/4
1730400	32BHSE50	BUTTON HEAD SOCKET CAP SCREW 18-8 STAINLESS #8-32 X 1/2
1730401	32BHSF38	BUTTON HEAD SOCKET CAP SCREW 18-8 STAINLESS #10-32 X 3/8
1730402	32BHSFA5	BUTTON HEAD SOCKET CAP SCREW 18-8 STAINLESS #10-32 X 1 1/2
1730403	32BHSA150	BUTTON HEAD SOCKET CAP SCREW 18-8 STAINLESS #1/4-20 X 1/2
1730404	32BHSA163	BUTTON HEAD SOCKET CAP SCREW 18-8 STAINLESS #1/4-20 X 5/8
1730405	32BHSA175	BUTTON HEAD SOCKET CAP SCREW 18-8 STAINLESS #1/4-20 X 3/4
1730406	32BHSA188	BUTTON HEAD SOCKET CAP SCREW 18-8 STAINLESS #1/4-20 X 7/8
1730407	32BHSA1A0	BUTTON HEAD SOCKET CAP SCREW 18-8 STAINLESS #1/4-20 X 1
1730408	32FHSA825	FLAT HEAD SOCKET CAP SCREW 18-8 STAINLESS #4-40 X 1/4
1730409	32FHSAF50	FLAT HEAD SOCKET CAP SCREW 18-8 STAINLESS #10-32 X 1/2
1730410	32HHSK75	HEX HEAD SCREW GRADE 5 5/16-18 X 3/4
1730411	32KHSIA0	KNURLED HEAD SLOTTED THUMB SCREW NYLON 1/4 - 20 X 1
1730412	32SHCF50	SOCKET CAP SCREW, ALLOY STEEL, #10-32 X 1/2
1730413	32SHSA825	SOCKET CAP SCREW 18-8 STAINLESS #4-40 X 1/4
1730414	32SHSA863	SOCKET CAP SCREW 18-8 STAINLESS #4-40 X 5/8
1730415	32SHSC25	SOCKET CAP SCREW 18-8 STAINLESS #6-32 X 1/4
1730416	32SHSC31	SOCKET CAP SCREW 18-8 STAINLESS #6-32 X 5/16

1730417	32SHSC44	SOCKET CAP SCREW 18-8 STAINLESS #6-32 X 7/16
1730418	32SHSC63	SOCKET CAP SCREW 18-8 STAINLESS #6-32 X 5/8
1730419	32SHSCA0	SOCKET CAP SCREW 18-8 STAINLESS #6-32 X 1
1730420	32SHSE38	SOCKET CAP SCREW 18-8 STAINLESS #8-32 X 3/8
1730421	32SHSE63	SOCKET CAP SCREW 18-8 STAINLESS #8-32 X 5/8
1730422	32SHSE75	SOCKET CAP SCREW 18-8 STAINLESS #8-32 X 3/4
1730423	32SHSEB5	SOCKET CAP SCREW, 18-8 STAINLESS, #8-32 X 2-1/2
1730424	32SHSF25	SOCKET CAP SCREW 18-8 STAINLESS #10-32 X 1/4
1730425	32SHSF38	SOCKET CAP SCREW 18-8 STAINLESS #10-32 X 3/8
1730426	32SHSF75	SOCKET CAP SCREW 18-8 STAINLESS #10-32 X 3/4
1730427	32SHSF88	SOCKET CAP SCREW 18-8 STAINLESS #10-32 X 7/8
1730428	32SHSFA0	SOCKET CAP SCREW 18-8 STAINLESS #10-32 X 1
1730429	32SHSFA3	SOCKET CAP SCREW 18-8 STAINLESS #10-32 X 1-1/4
1730430	32SHSFA5	SOCKET CAP SCREW 18-8 STAINLESS #10-32 X 1-1/2
1730431	32SHSFA8	SOCKET CAP SCREW 18-8 STAINLESS #10-32 X 1 3/4
1730432	32SHSFB5	SOCKET CAP SCREW 18-8 STAINLESS #10-32 X 2-1/2
1730433	32SHSI50	SOCKET CAP SCREW 18-8 STAINLESS #1/4-20 X 1/2
1730434	32SHSI63	SOCKET CAP SCREW 18-8 STAINLESS #1/4-20 X 5/8
1730435	32SHSI75	SOCKET CAP SCREW 18-8 STAINLESS #1/4-20 X 3/4
1730436	32SHSI88	SOCKET CAP SCREW 18-8 STAINLESS #1/4-20 X 7/8
1730437	32SHSIA0	SOCKET CAP SCREW 18-8 STAINLESS #1/4-20 X 1
1730438	32SHSIB0	SOCKET CAP SCREW 18-8 STAINLESS #1/4-20 X 2
1730439	32SHSK75	SOCKET CAP SCREW, 18-8 STAINLESS, 5/16-18 X 0.75
1730440	32SHSKA0	SOCKET CAP SCREW 18-8 STAINLESS 5/16-18 X 1
1730441	32SHSKA5	SOCKET CAP SCREW, 18-8 STAINLESS, 5/16-18 X 1-1/2
1730442	32THME50	TRUSS HEAD PHILLIPS MACHINE SCREW 18-8 STAINLESS #8-32 X 1/2
1730443	32THMF38	TRUSS HEAD PHILLIPS MACHINE SCREW 18-8 STAINLESS #10-32 X 3/8
1730444	32THMF50	TRUSS HEAD PHILLIPS MACHINE SCREW 18-8 STAINLESS #10-32 X 1/2
1730445	32THMF75	TRUSS HEAD PHILLIPS MACHINE SCREW 18-8 STAINLESS #10-32 X 3/4
1730446	32THMFA0	TRUSS HEAD PHILLIPS MACHINE SCREW 18-8 STAINLESS #10-32 X 1
1730447	33HXS256	MACHINE SCREW NUT STAINLESS 2-56
1730448	33HXSB20	HEX NUT 18-8 STAINLESS 1/4-20
1730449	33NLSA32	NYLON INSERT HEX LOCK NUT 18-8 STAINLESS #10-32
1730450	34CPAC13	CUP POINT SOCKET SET SCREW ALLOY STEEL, BLACK FINISH #6-32 X 1/8
1730451	34CPAF19	CUP POINT SOCKET SET SCREW ALLOY STEEL, BLACK FINISH #10-32 X 3/16
1730452	34CPAF50	CUP POINT SOCKET SET SCREW ALLOY STEEL, BLACK FINISH #10-32 X 1/2
1730453	34CPAIA3	CUP POINT SOCKET SET SCREW, ALLOY STEEL, BLACK FINISH, 1/4-20 X 1-1/4
1730454	34CPSF13	CUP POINT SOCKET SET SCREW, STAINLESS STEEL, #10-32 X 0.125
1730455	34SPBF19	BRASS TIPPED SOCKET SET SCREW ALLOY STEEL, BLACK FINISH #10-32 X 3/16 LGTH
1730456	3710Z313	E-STYLE RETAINING RING SPRING STEEL, ZINC PLATED 5/16 SHAFT
1730457	3771S375	SELF-LOCKING EXTERNAL RETAINING RING, STAINLESS STEEL, 3/8
1730458	3771Z250	SELF-LOCKING EXTERNAL RETAINING RING SPRING STEEL, ZINC PLATED 1/4 SHAFT
1730459	38C1A625	ONE-PIECE CLAMP STYLE COLLAR ALUMINUM 5/8ID X 1-5/16OD X 7/16W
1730460	38SSI500	SHAFT COLLAR, SET SCREW STYLE, ZINC PLATED STEEL, 1/2 ID X 1 OD X 7/16 W
1730461	3ACCS550	COILED SPRING PIN CARBON STEEL, PLAIN FINISH 1/8 X 1/2
1730462	3ACCS5A3	COILED SPRING PIN CARBON STEEL, PLAIN FINISH 1/8 X 1-1/4
1730463	3ADCS950	DOWEL PIN ALLOY STEEL, HARDENED AND GROUND 1/4 X 1/2
1730464	3ADCS975	DOWEL PIN 3ADCS975 1/4 X 3/4
1730465	3ADSS475	DOWEL PIN, STAINLESS STEEL, 3/32 X 3/4L
1730466	3CRSA6AW	ROUND SPACER, ALUMINUM, 0.375OD X 0.192ID X 2L
1730467	3CRSA8A8	ROUND SPACER ALUMINUM 1/2OD X #10ID X 1/2L
1730468	3CRSA8C6	ROUND SPACER ALUMINUM 1/2OD X 1/4ID X 3/8L
1730469	3CRSA8CO	ROUND SPACER ALUMINUM 1/2OD X 1/4ID X 1-1/2L
1730470	3CRSC6A2	ROUND SPACER STEEL 3/8OD X #10ID X 1/4L
1730471	3CRSC6AA	ROUND SPACER, ZINC PLATED STEEL, 3/8OD X #10 ID X 5/8L

1730472	3CRSC8AA	ROUND SPACER, STEEL, 0.500 OD X 0.192 ID X 0.625 LG
1730473	3CRSC8CE	ROUND SPACER, ZINC PLATED STEEL, 1/2OD X 1/4ID X 7/8L
1730474	3CRSS5A3	ROUND SPACER, STAINLESS, 5/16OD X #10 X 3/16L
1730475	3CRSS5AC	ROUND SPACER, STAINLESS, 5/16OD X #10 ID X 3/4L
1730476	3DHSN8C8	HEX STANDOFF, NYLON, 1/2L X 1/2W X 1/4-20
1730477	3DRSAABG	ROUND STANDOFF, ALUMINUM, 5/8OD X #10-32ID X 1L
1730478	3FMA42C5	COMPRESSION SPRING, MUSIC WIRE, 0.360OD X 0.042W X 3.50L
1730479	3FMV16A0	COMPRESSION SPRING, MUSIC WIRE, 5/32OD X 0.016W X 1L
1730480	3GM085D0	EXTENSION SPRING, MUSIC WIRE, 1.000OD X 0.085W X 4L
1730481	3GMC2AB5	EXTENSION SPRING, MUSIC WIRE, STEEL, 5/16OD X 0.020W X 2.5L
1730482	3GME25A9	EXTENSION SPRING, MUSIC WIRE, STEEL, 11/32OD X 0.025W X 1-7/8L
1730483	3GMF37C0	EXTENSION SPRING 3/8OD X .037WD X 3.00LG, MUSIC WIRE
1730484	3GMK49B0	EXTENSION SPRING, MUSIC WIRE, 0.500OD X 0.049W X 2L
1730485	3KSTDA29	BALL PLUNGER, 1/2-13, 12 LB
1730486	3MAXPM32	CERAMIC POT MAGNET, 1.400"DIA X 0.275"L X 0.188" B X 12LBS PULL
1730487	3NKNP085	PLASTIC KNOB WITH 1/4-20 X 3/4 STUD
1730488	3NPTKKBB	KNURLED PRESS ON THUMB KNOB, BLACK PLASTIC, 1/4 SCREW 1.0 OD X 5/16 H
1730489	3NREV001	HANDLE, REVOLVING W/ STUD, 1/4-20 X 0.47, 1.57L HANDLE X 0.71 DIA
1730490	3PCST008	RIGID PLATE CASTOR 3 1/2 "
1730491	3QRSR014	RECESSED BUMPER RUBBER 5/8OD X 5/32ID X 9/32H
1730492	3QSTA019	SOLID STEM BUMPER, RUBBER, 5/16OD X 3/8L X 3/16 STEM
1730493	3TVNL288	VINYL STRETCHABLE CAP, 3/16"ID X 1"L
1730494	3ZGSS011	FIXED FORCE GAS SPRING, 20 LB, 2.36 STROKE
1730495	3ZGSS077	SAFETY CLIP FOR GAS SPRING END FITTING
1730496	401HSD1R	STRANDED HOOK-UP WIRE RED PVC INSULATION 18 AWG
1730497	401HSD1W	STRANDED HOOK-UP WIRE WHITE PVC INSULATION 18 AWG
1730498	401HSE1D	STRANDED HOOK-UP WIRE GREEN/YELLOW PVC INSULATION 16 AWG
1730499	401HSE1L	STRANDED HOOK-UP WIRE BLUE PVC INSULATION 16 AWG
1730500	401HSE1N	STRANDED HOOK-UP WIRE BROWN PVC INSULATION 16 AWG
1730501	409RC680	RIBBON CABLE, 28 AWG, 7/36 STRANDED TINNED COPPER, 8 CONDUCTORS
1730502	409RC6E0	FLAT RIBBON CABLE COLOR CODED PVC INSULATION 28AWG/14
1730503	40PR8E3B	RT ANGLE POWER CORD SET, SJT, BLACK, 13 AMPS, MYLAR 9'10", 16/3,
1730504	42NLCB19	LOOP CLAMP BLACK NYLON 3/16
1730505	42NLCB25	LOOP CLAMP BLACK NYLON 1/4
1730506	42NLCB38	LOOP CLAMP BLACK NYLON 3/8
1730507	42SPV188	SHRINK TUBING PVC, BLACK 3/16
1730508	42SPV250	THIN WALL SHRINK TUBING PVC, BLACK 1/4
1730509	42WMS000	SLEEVE MARKER "0" FOR 0.051-0.118WIRE
1730510	42WMS001	SLEEVE MARKER "1" FOR 0.051-0.118WIRE
1730511	42WMS002	SLEEVE MARKER "2" FOR 0.051-0.118WIRE
1730512	42WMS003	SLEEVE MARKER "3" FOR 0.051-0.118WIRE
1730513	42WMS004	SLEEVE MARKER "4" FOR 0.051-0.118WIRE
1730514	42WMS005	SLEEVE MARKER "5" FOR 0.051-0.118WIRE
1730515	42WMS006	SLEEVE MARKER "6" FOR 0.051-0.118WIRE
1730516	42WMS007	SLEEVE MARKER "7" FOR 0.051-0.118WIRE
1730517	42WMS008	SLEEVE MARKER "8" FOR 0.051-0.118WIRE
1730518	42WMS009	SLEEVE MARKER "9" FOR 0.051-0.118WIRE
1730519	45AMP010	MALE CRIMP TO WIRE PIN, 28-32 AWG, GOLD FINISH
1730520	45MLX015	SINGLE ROW MINI-LATCH HOUSING, 0.100" CENTERS, 8 POSITION
1730521	45TAB006	90 DEG. FEMALE INSULATED DISCONNECT 18-22AWG, 0.250SPADE
1730522	4CMS0001	CAPACITOR, 6.5MF, INCLUDED W/MOTOR 4T-BCC-004
1730523	4CMS0159	CAPACITOR, 15MFD, 370V
1730524	4JFOT001	FOOT PEDAL
1730525	4JFOT002	PNEUMATIC SWITCH
1730526	4KV3L001	MECHANICALLY ACTIVATED, MINIATURE BASIC SWITCH, LONG STRAIGHT LEVER, 5 AMP
1730527	4TBCC005	AC GEAR MOTOR, 60 RPM, 120V, 60HZ, 0.46A, 3.7NM, W/O CAPACITOR
1730528	4TGC0001	GEARMOTOR, SPLIT PHASE, CAPACITOR START, 65RPM, 4.5A, 115V, 60HZ

1730529	4TSYG007	SYNCHRONOUS GEARMOTOR, 30RPM, 115V, 60HZ
1730530	4ZCBA008	I/O CIRCUIT BOARD ASSEMBLY, COLOR COIL
1730531	60BS0688	OIL IMP BRG SIN BRONZE 3/8ID X 1/2OD X 1/2L PLAIN
1730532	60BS08AA	PLAIN BEARING, BRONZE, OILITE, 1/2ID X 5/8OD X 5/8L
1730533	60BSF464	OIL IMP BRG SIN BRONZE, FLANGED, 1/4ID X 3/8OD X 1/4L
1730534	60BSF8A6	OIL IMP BRG SIN BRONZE, 1/2ID X 5/8OD X 3/8L, FLANGED
1730535	60BSF8AC	OIL IMP BRG SIN BRONZE, 1/2ID X 5/8OD X 3/4L, FLANGED
1730536	60BSFAE5	PLAIN BEARING, BRONZE, OILITE, FLANGED, 5/8ID X 7/8OD X 1/2L
1730537	60BSO458	BRONZE OILITE, PLAIN, 1/4ID X 5/16 OD X 1/2 LG
1730538	60LSBK63	SLEEVE BEARING, STEEL BACKED TEFLON, 3/8ID X 15/32OD X 1/2L
1730539	60TH756S	SNAP IN SLEEVE BEARING, NYLON, 5/16ID X 3/8 OD X 0.078T
1730540	60TH7892	SNAP IN SLEEVE BEARING, NYLON, 1/2ID X 9/16OD X 0.140T
1730541	60TS5575	FLANGED PLAIN BEARING, NYLON, TEP 642, 5/16"ID, 5/16"LG
1730542	61RI04C1	RADIAL BALL BEARING, DOUBLE SEALED, 1/4ID X 3/4OD X 9/32L
1730543	6BTM332U	TIMING BELT, URETHANE
1730544	6BTX433R	TIMING BELT RUBBER 330XL037
1730545	6DTBM184	TIMING PULLEY, BLACK POLYCARBONATE, 18MXL, 0.250B
1730546	6DTBM364	TIMING PULLEY, BLACK POLYCARBONATE, 36MXL, 1/4B
1730547	6DTD4308	TIMING PULLEY CLR ANOD ALUM 30XL037, 1/2B
1730548	6JPNB001	POWER ON BRAKE
1730549	6JPNC001	POWER ON CLUTCH
1730550	CC001000	GROOVED ROLLER RH
1730551	CC002000	GROOVED ROLLER LH
1730552	CC003000	GROOVED ROLLER IDLER
1730553	CC004000	CRIMP DRIVEN ARM
1730554	CC005000	IDLER PIVOT ARM REAR
1730555	CC006000	INSERT MOTOR PULLEY
1730556	CC007000	CRIMP STRIPPER BRACKET BLOCK
1730557	CC008000	HEX BUSHING
1730558	CC010000	LONG STANDOFF
1730559	CC012000	BLOCK PIVOT PLATE
1730560	CC013000	LINEAR BEARING BLOCK
1730561	CC014000	CRIMP MOTOR ARM
1730562	CC015000	SPINEFORMER STORAGE TRAY
1730563	CC016000	PLUNGER
1730564	CC017000	CRIMP ADJUST THREADED ROD REAR
1730565	CC018000	CRIMP ADJUST THREADED ROD FRONT
1730566	CC019000	ROLLER PLATE
1730567	CC020000	RIGHT GROOVED DRIVE ROLLER
1730568	CC022000	OUTPUT TRAY
1730569	CC023000	CLUTCH 2 SHAFT
1730570	CC024L00	PAPER DECK EDGE GUIDE LH
1730571	CC024R00	PAPER DECK EDGE GUIDE RH
1730572	CC025000	BEARING BLOCK
1730573	CC027000	PLUNGER PIVOT PIN
1730574	CC030000	IDLER PIVOT ARM FRONT
1730575	CC031000	FRONT COVER
1730576	CC032000	LINEAR GUIDE SHAFT
1730577	CC033000	SUPPORT PLATE
1730578	CC034000	ROLLER OPEN CRANK ARM
1730579	CC035000	HEX BROACHED MITER GEAR
1730580	CC036000	LEFT GROOVED DRIVE ROLLER
1771089	AP032000	WEDGE CLUTCH PULLEY
1771123000	60TH7671	SNAP-IN SLEEVE BEARING NYLON 3/8ID X 7/16OD X 0.078T
1771218	AP153000	PULLEY
1771386000	4CZ00000	CAPACITOR MOUNTING KIT
1771399	4H200002	SQUARE RELAY SOCKET DIN/SCRW MOUNT, SCREW TERMINALS 11 PIN 300VAC 15A
1771401	45MLX003	TERMINAL HOUSING, CRIMP 3 PIN 0.100 CENTERS

1771403	45MLX014	TERMINAL HOUSING, CRIMP 14 PIN 0.100 CENTERS
1771405	45MLX000	FEMALE PIN CRIMP TERMINAL 0.100 CENTERS TIN PLATE
1771408000	45MLX101	FEMALE QUICK CONNECT, INSULATED INSULATED 22-18 AWG, 0.250 X 0.032
1771409	45MLX103	FEMALE QUICK CONNECT, INSULATED INSULATED 22-18 AWG, 0.187 X 0.020
1771410	4ZPST101	LINE FILTER
1771412000	45MLX201	RING TERMINAL, INTERNAL LOCK 16-18 GA FOR #10 SCREW
1771413	3DHSB46W	HEX STANDOFF ZINC PLATE BRASS 1/4HEX X #6-32 X 2L
1771418000	42TIE004	CABLE TIE NATURAL NYLON 0.1 X 4
1771419000	42TIS408	SCREW MOUNT CABLE TIE NYLON 3/16 X 8 FOR #10
1771425000	61RI0815	RADIAL BALL BEARING SEALED 1/2ID X 1-1/8OD X 5/16W
1771435	3NRHP001	ROUND HANDLE PULL ALUMINUM, NATURAL FINISH 3" X 1-5/16 X 5/16ROD
1771456	4JMBT002	MINIATURE BATT SWITCH HIGH FORCE 1.40 STRAIGHT BATT
1774516	4ZCBA006	CPU CIRCUIT BOARD ASSY P2
1774857	P2266000	KEYBOARD DISPLAY
1774859	P2A89000	CPU TO I/O RIBBON CABLE 40 PIN 6.75 IN
1774860	P2124000	DISPLAY COVER
1903300	32PHM863	PAN HEAD PHILLIPS MACHINE SCREW 18-8 STAINLESS #4-40 X 5/8
1922102000	32SHSC38	SOCKET CAP SCREW 18-8 STAINLESS #6-32 X 3/8
1922103000	32SHSC50	SOCKET CAP SCREW 18-8 STAINLESS #6-32 X 1/2
1922111	32SHSE50	SOCKET CAP SCREW 18-8 STAINLESS #8-32 X 1/2
1922114	32SHSF63	SOCKET CAP SCREW 18-8 STAINLESS #10-32 X 5/8
1922125	32SHSIA5	SOCKET CAP SCREW 18-8 STAINLESS #1/4-20 X 1-1/2
1925080	30FFH010	FINISHED FLAT WASHER STEEL, CASE-HARDENED, THICK #10, 13/64ID X 1/2OD X 3/32 THK
1925221	31NYN140	NYLON FLAT WASHER, NARROW RIM NATURAL COLOR 3/8ID X 9/16 X 1/32THK
1926060	30SLW004	SPRING LOCK WASHER REGULAR, 18-8 STAINLESS #4
1926062	30SLW008	SPRING LOCK WASHER REGULAR, 18-8 STAINLESS #8
1926063	30SLW010	SPRING LOCK WASHER REGULAR, 18-8 STAINLESS #10
1926065	30SLW031	SPRING LOCK WASHER REGULAR, 18-8 STAINLESS 5/16"
1926730	33HXS32	HEX NUT 18-8 STAINLESS #10-32
6178009	3GSF26A5	EXTENSION SPRING MUSIC WIRE, PLATED 3/8OD X 0.026W X 1-1/2L
6196004	44EUR036	EUROSTYLE FEED-THRU TERMINAL BLOCK NYLON 0.394 CC X 6 CONDUCTOR
6207003	4PSGN001	TRANSFORMER
6240007	4H100005	SQUARE BASE SOCKET MOUNT RELAY 3PDT
7500880	3NKNP003	KNURLED KNOB PLASTIC, BRASS INSERT 3/8ID X 2.36OD
9950012	38C1C500	ONE-PIECE CLAMP STYLE COLLAR STEEL, BLACK FINISH 1/2ID X 1-1/8OD X 13/32W
9950026000	401HSB1W	STRANDED HOOK-UP WIRE WHITE PVC INSULATION 22 AWG
9950032000	42SPV125	THIN WALL SHRINK TUBING PVC 1/8
9950035	45MLX002	TERMINAL HOUSING, CRIMP 2 PIN 0.100 CENTERS
9950036	45MLX008	TERMINAL HOUSING, CRIMP 8 PIN 0.100 CENTERS
9950037	45MLX010	TERMINAL HOUSING, CRIMP 10 PIN 0.100 CENTERS
9950039	45SHU001	AC INLET CONNECTOR
9950049	4F660025	SLOW-BLOW FUSE 0.25 AMP, CERAMIC 250V, 1/4 X 1-1/4 (3AG)
9950052	4H300001	HOLD DOWN SPRING STEEL FITS 4H100005
9950054000	4JMBT005	MINIATURE ROLLER SWITCH INTERLOCK APPROVED ROLLER ACTUATOR
9950066	6BTX417R	TIMING BELT RUBBER 170XL037
9950067	6BTX429R	TIMING BELT RUBBER 290XL037
9950079	3CRSA5A2	ROUND SPACER ALUMINUM 5/16OD X #10ID X 1/4L
9950080	3CRSA6A8	ROUND SPACER ALUMINUM 3/8 OD X #10 X 1/2 L
9950081	3CRSA6AC	ROUND SPACER ALUMINUM 3/8OD X #10ID X 3/4L
9950104	3PCST007	SWIVEL CASTOR 3 1/2 "
9950106000	3QRSR056	RECESSED BUMPER RUBBER W/STL WASHER 3/4OD X 3/16ID X 9/16H
9950108	3ZGSS071	METAL BALL SOCKET END FITTING FOR M6 MALE THREAD 10MM BALL
9950109	3ZGSS073	BALL STUD FOR GAS SPRING 10MM BALL, 5/16-18 STUD

9950111000	41DIN003	DIN MOUNTING RAIL ZINC-PLATED STEEL DIN3, 35MM
9950117000	44WAG002	TERMINAL BLOCK END PLATE GREY THERMOSET 2 CONDUCTOR
9950118000	44WAG005	DOUBLE TERMINAL BLOCK GREY THERMOSET 4 CONDUCTOR
9950160	60TH5822	FLANGED PLAIN BEARING NYLON 0.5010 ID X 0.5620 HOUSING BORE 7/32L
9950163	60TNI672	SNAP IN NYLINER BEARING NYLON 0.375 ID X 0.0437 OD X 0.140L
9950170	63CYS100	YOKE STYLE CAM FOLLOWER SEALED 1OD X 5/16B X 5/8W
9950178	6DTA4208	TIMING PULLEY CLR ANOD ALUM 20XL037, 1/2B
9950192	31DRB003	DRILL BUSHING HEADLESS, PRESS FIT 3/8ID X 5/8OD X 1/2L
9950195	31MBC121	MACHINERY BUSHING LOW-CARBON MILD STEEL 1/2ID X 7/8OD X 0.075THK
9950196000	31NYF170	NYLON FLAT WASHER, REGULAR NATURAL COLOR 3/8, 0.390ID X 0.75OD X 0.062THK
9950201000	3710Z500	E-STYLE RETAINING RING SPRING STEEL, ZINC PLATED 1/2 SHAFT
9950204	3ACCS575	COILED SPRING PIN CARBON STEEL, PLAIN FINISH 1/8 X 3/4
9950205000	3ACCS5A0	COILED SPRING PIN CARBON STEEL, PLAIN FINISH 1/8 X 1
9950206	3ACCS5A5	COILED SPRING PIN CARBON STEEL, PLAIN FINISH 1/8 X 1-1/2
9950212	3ADCS9A3	DOWEL PIN ALLOY STEEL, HARDENED AND GROUND 1/4 X 1 1/4
9950220	31NYF187	NYLON FLAT WASHER, REGULAR NATURAL COLOR 1/2, 0.505 X 0.750 X 0.062 THK
9950226	3CRSA6AG	ROUND SPACER ALUMINUM 3/8OD X #10ID X 1L
9950230	3CRSN423	ROUND SPACER NYLON 1/4OD X#2ID X 3/16L
9950231	3DRSA8BO	ROUND STANDOFF ALUMINUM 1/2OD X #10-32 X 1-1/2L
9950233	3GMF31B3	EXTENSION SPRING MUSIC WIRE 0.375OD X 0.031W X 2.25L
9950238	3VGBC039	AP-2 POWER INLET LABEL
9950239	4FBETA02	CIRCUIT BREAKER DPST 10.0 AMP
9950246000	4DSLRO01	DIODE
9950247	4JPG8004	CONTACT BLOCK SCREW TERMINALS 1 NC
9950249	4JPG8033	ROUND MAINTAINED MUSHROOM OPERATOR RED
9950266000	3CRSA6A6	ROUND SPACER ALUMINUM 3/8OD X #10ID X 3/8L
9950271000	3CRSC8AG	ROUND SPACER STEEL 1/2OD X #10ID X 1L
9950304000	42THD001	SCREW CABLE TIE HOLDER WHITE NYLON #8 HOLE
9950307000	42THD006	RIBBON CABLE CLAMP PVC, ADHESIVE MOUNT
9950311000	44WAG008	MOUNTING ADAPTER GREY
9950315	45MLX106	FEMALE QUICK CONNECT INSULATED 14-16 AWG 0.250 X 0.032
9950316	45MLX107	FEMALE QUICK CONNECT INSULATED 14-16 AWG 0.187 X 0.020
9950341000	4LRFS010	CORNER CUBE REFLECTOR 2.07 X 2.36 X 0.3THK
9950360000	6BTX416R	TIMING BELT RUBBER 160XL037
9950370	44EUR033	EUROSTYLE FEED-THRU TERMINAL BLOCK NYLON 0.394 CC X 3 CONDUCTOR
9950376000	33NLSB20	NYLON INSERT HEX LOCK NUT 18-8 STAINLESS 1/4-20

Asterisk #	Item Name	GBC #
3771Z250	SELF-LOCKING EXTERNAL RETAINING RING SPRING STEEL, ZINC PLATED 1/4 SHAFT	1730458
38C1A625	ONE-PIECE CLAMP STYLE COLLAR ALUMINUM 5/8ID X 1-5/16OD X 7/16W	1730459
38C1C500	ONE-PIECE CLAMP STYLE COLLAR STEEL, BLACK FINISH 1/2ID X 1-1/8OD X 13/32W	9950012
38SSI500	SHAFT COLLAR, SET SCREW STYLE, ZINC PLATED STEEL, 1/2 ID X 1 OD X 7/16 W	1730460
3ACCS550	COILED SPRING PIN CARBON STEEL, PLAIN FINISH 1/8 X 1/2	1931534
3ACCS575	COILED SPRING PIN CARBON STEEL, PLAIN FINISH 1/8 X 3/4	1930533
3ACCS5A0	COILED SPRING PIN CARBON STEEL, PLAIN FINISH 1/8 X 1	1930522
3ACCS5A3	COILED SPRING PIN CARBON STEEL, PLAIN FINISH 1/8 X 1-1/4	1929218
3ACCS5A5	COILED SPRING PIN CARBON STEEL, PLAIN FINISH 1/8 X 1-1/2	1931535
3CRSA5A2	ROUND SPACER ALUMINUM 5/16OD X #10ID X 1/4L	1924817
3CRSA6A6	ROUND SPACER ALUMINUM 3/8OD X #10ID X 3/8L	1924818
3CRSA6A8	ROUND SPACER ALUMINUM 3/8 OD X #10 X 1/2 L	1924819
3CRSA6AC	ROUND SPACER ALUMINUM 3/8OD X #10ID X 3/4L	1924820
3CRSA6AG	ROUND SPACER ALUMINUM 3/8OD X #10ID X 1L	9950226
3CRSA6AW	ROUND SPACER, ALUMINUM, 0.375OD X 0.192ID X 2L	1730466
3CRSA8A8	ROUND SPACER ALUMINUM 1/2OD X #10ID X 1/2L	1730467
3CRSA8C6	ROUND SPACER ALUMINUM 1/2OD X 1/4ID X 3/8L	1730468
3CRSA8CO	ROUND SPACER ALUMINUM 1/2OD X 1/4ID X 1-1/2L	1730469
3CRSC6A2	ROUND SPACER STEEL 3/8OD X #10ID X 1/4L	1730470
3CRSC6AA	ROUND SPACER, ZINC PLATED STEEL, 3/8OD X #10 ID X 5/8L	1730471
3CRSC8AA	ROUND SPACER, STEEL, 0.500 OD X 0.192 ID X 0.625 LG	1730472
3CRSC8AG	ROUND SPACER STEEL 1/2OD X #10ID X 1L	9950271
3CRSC8CE	ROUND SPACER, ZINC PLATED STEEL, 1/2OD X 1/4ID X 7/8L	1730473
3CRSN423	ROUND SPACER NYLON 1/4OD X#2ID X 3/16L	1925306
3CRSS5A3	ROUND SPACER, STAINLESS, 5/16OD X #10 X 3/16L	1730474
3CRSS5AC	ROUND SPACER, STAINLESS, 5/16OD X #10 ID X 3/4L	1730475
3DHSN8C8	HEX STANDOFF, NYLON, 1/2L X 1/2W X 1/4-20	1730476
3DRSA8BO	ROUND STANDOFF ALUMINUM 1/2OD X #10-32 X 1-1/2L	1924838
3DRSAABG	ROUND STANDOFF, ALUMINUM, 5/8OD X #10-32ID X 1L	1730477
3FMA42C5	COMPRESSION SPRING, MUSIC WIRE, 0.360OD X 0.042W X 3.50L	1730478
3GM085D0	EXTENSION SPRING, MUSIC WIRE, 1.000OD X 0.085W X 4L	1730480
3GMC2AB5	EXTENSION SPRING, MUSIC WIRE, STEEL, 5/16OD X 0.020W X 2.5L	1730481
3GME25A9	EXTENSION SPRING, MUSIC WIRE, STEEL, 11/32OD X 0.025W X 1-7/8L	1730482
3GMF31B3	EXTENSION SPRING MUSIC WIRE 0.375OD X 0.031W X 2.25L	1935315
3GMF37C0	EXTENSION SPRING 3/8OD X .037WD X 3.00LG, MUSIC WIRE	1730483
3GMK49B0	EXTENSION SPRING, MUSIC WIRE, 0.500OD X 0.049W X 2L	1730484
3GSF26A5	EXTENSION SPRING MUSIC WIRE, PLATED 3/8OD X 0.026W X 1-1/2L	1935320
3KSTDA29	BALL PLUNGER, 1/2-13, 12 LB	1730485
3NKNP003	KNURLED KNOB PLASTIC, BRASS INSERT 3/8ID X 2.36OD	7500880
3NKNP085	PLASTIC KNOB WITH 1/4-20 X 3/4 STUD	1730487
3NRHP001	ROUND HANDLE PULL ALUMINUM, NATURAL FINISH 3" X 1-5/16 X 5/16ROD	1771435
3PCST007	SWIVEL CASTOR 3 1/2 "	9950104
3PCST008	RIGID PLATE CASTOR 3 1/2 "	1730490
3QRSR014	RECESSED BUMPER RUBBER 5/8OD X 5/32ID X 9/32H	1730491
3QRSR056	RECESSED BUMPER RUBBER W/STL WASHER 3/4OD X 3/16ID X 9/16H	9950106
3QSTA019	SOLID STEM BUMPER, RUBBER, 5/16OD X 3/8L X 3/16 STEM	1730492
3VGBC055	CRUSH FINGERS LABEL PRESSURE SENSITIVE ADHESIVE	6009277
3VGBC059	WARNING LABEL ENGLISH PRESSURE SENSITIVE ADHESIVE 1.50 X 3.75	6009146000
3VGBC060	WARNING LABEL GERMAN PRESSURE SENSITIVE ADHESIVE 1.5 X 2.75	6009147000
3ZGSS011	FIXED FORCE GAS SPRING, 20 LB, 2.36 STROKE	1730600

ASTERISK #	ITEM NAME	GBC #
4ZPST101	LINE FILTER	1771410
60TH5822	FLANGED PLAIN BEARING NYLON 0.5010 ID X 0.5620 HOUSING BORE 7/32L	1953639
60TH756S	SNAP IN SLEEVE BEARING, NYLON, 5/16ID X 3/8 OD X 0.078T	1730539
60TH7671	SNAP-IN SLEEVE BEARING NYLON 3/8ID X 7/16OD X 0.078T	1953603
60TH7892	SNAP IN SLEEVE BEARING, NYLON, 1/2ID X 9/16OD X 0.140T	1730540
60TNI672	SNAP IN NYLINER BEARING NYLON 0.375 ID X 0.0437 OD X 0.140L	1953604
60TS5575	FLANGED PLAIN BEARING, NYLON, TEP 642, 5/16"ID, 5/16"LG	1730541
61RI04C1	RADIAL BALL BEARING, DOUBLE SEALED, 1/4ID X 3/4OD X 9/32L	1730542
61RI0815	RADIAL BALL BEARING SEALED 1/2ID X 1-1/8OD X 5/16W	1771425
61RIF460	FLANGED RADIAL BALL BEARING STAINLESS, PRECISION 1/4ID X 3/8OD	0147080024
63CYS075	YOKE STYLE CAM FOLLOWER SEALED 3/4OD X 1/4B X 1/2W	0147021000
63CYS100	YOKE STYLE CAM FOLLOWER SEALED 1OD X 5/16B X 5/8W	9950170
6BTM332U	TIMING BELT, URETHANE	1730543
6BTX410R	TIMING BELT RUBBER 100XL037	0147010000
6BTX411R	TIMING BELT RUBBER 110XL037	0147010300
6BTX415R	TIMING BELT RUBBER 150XL037	0147010700
6BTX416R	TIMING BELT RUBBER 160XL037	9950360
6BTX417R	TIMING BELT RUBBER 170XL037	9950066
6BTX429R	TIMING BELT RUBBER 290XL037	9950067
6BTX433R	TIMING BELT RUBBER 330XL037	1730544
6DTA4208	TIMING PULLEY CLR ANOD ALUM 20XL037, 1/2B	9950178
6DTBM184	TIMING PULLEY, BLACK POLYCARBONATE, 18MXL, 0.250B	1730545
6DTBM364	TIMING PULLEY, BLACK POLYCARBONATE, 36MXL, 1/4B	1730546
6DTD4308	TIMING PULLEY CLR ANOD ALUM 30XL037, 1/2B	1730547
6JPNB001	POWER ON BRAKE	1730548
6JPNC001	POWER ON CLUTCH	1730549
AP032000	WEDGE CLUTCH PULLEY	1771089
AP153000	PULLEY	1771218
CC003000	GROOVED ROLLER IDLER	1730552
CC004000	CRIMP DRIVEN ARM	1730553
CC006000	INSERT MOTOR PULLEY	1730555
CC022000	OUTPUT TRAY	1730568
CC024L00	PAPER DECK EDGE GUIDE LH	1730570
CC024R00	PAPER DECK EDGE GUIDE RH	1730571
CC025000	BEARING BLOCK	1730572
CC038000	STRIPPER BRACKET	1730200
CC043000	ROUND DETECT DRIVE	1730205
CC045000	CHUTE	1730207
CC056000	STRIPPER BRACKET SETTING ARM	1730217
CC061000	CRIMP DECK PLATE	1730221
CC067020	COIL LOAD BRACKET	1730612
CC068L00	OUTPUT TRAY BRACKET, LEFT	1730613
CC068R00	OUTPUT TRAY BRACKET, RIGHT	1730614
CC071000	REAR ROLLER GUARD BRACKET	1730228
CC076000	MAIN MOTOR PULLEY	1730232
CC077000	CLUTCH MODIFIED	1730233
CC080000	ROLLER SUB-ASSEMBLY, LEFT	1730714
CC083000	ROLLER SUB-ASSEMBLY, RIGHT	1730715
CC084000	CLAMP ROCKER ARM	1730236
CC087000	EXIT EDGE GUIDE	1730239
CC090000	OUTPUT CAM ARM	1730242

Asterisk #	Item Name	GBC #
CCS10000	KEYBOARD ASSEMBLY, SPARE	1730634
CCS11000	KNOB ASSEMBLY, SPARE	1730635
CCS12000	CRIMP LINK ARM ASSEMBLY, SPARE	1730636
P2A89000	CPU TO I/O RIBBON CABLE 40 PIN 6.75 IN	1774859

**1730709**      **Insert Adjust Tool**  
**1730590**      **Cut and Crimp Motor Retrofit Kit CCK02000**