



CC2700

Parts List



GBC IS AN ACCO BRANDS COMPANY

8.0 PARTS LIST - CC2700 ELECTRIC BINDER

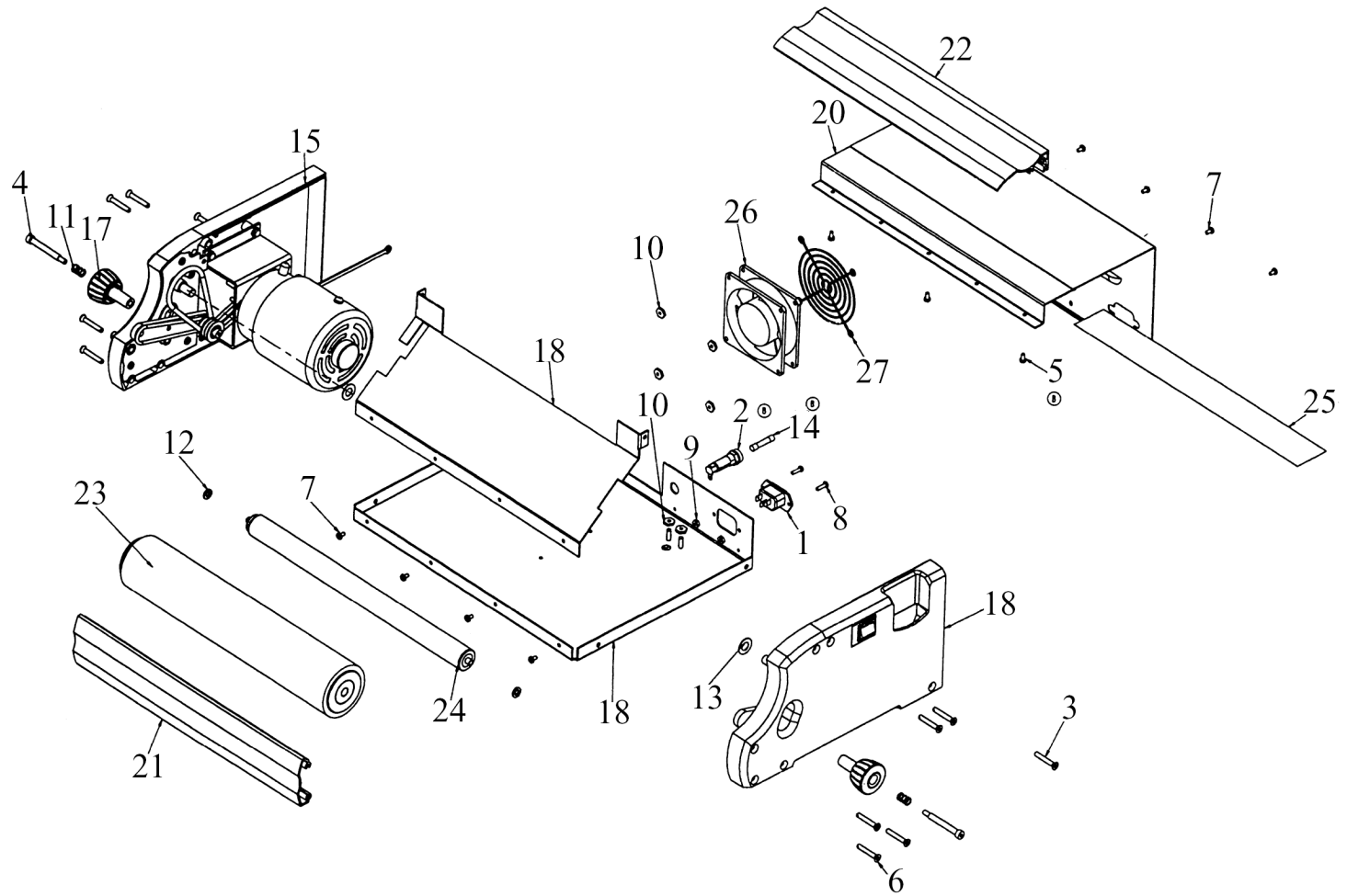


Figure 8-1 - CC2700 Parts

8.0 PARTS LIST - CC2700 ELECTRIC BINDER

8.1 Parts Listing

Index	Part Number	Description	Qty
1	1132289	POWER RECEPTACLE	1
2	1132343	FUSE HOLDER	1
3	1900609	SCREW, 10-32 x 1.25 S.H.C.	4
4	1900816	SCREW, SHOULDER SOC ¼ x 1 ¾	2
5	1901204	SCREW, SELF TAP PAN HD #6-18x5/16	3
6	1908802	SCREW, SHCS SELF TAP #10-32 x 1.25	8
7	1911109	SCREW, PAN HEAD SEMS #6-32 x ¼	8
8	1911121	SCREW, SEMS PAN HEAD #6-32 x 1/2	2
9	1926801	NUT, KEPS #6-32	2
10	1926802	NUT, KEPS #8-32	6
11	1935209	SPRING, CENTURY 71086	5
12	1953519	BRNZ THST BRG .255 x .458 x .062	2
13	1953509	BRNZ THST BRG .390 x .750 x .031	2
14	1970120	FUSE, 3 AMP (for 115V model)	1
14	1970118	FUSE, 1.5 AMP (for 230V model)	1
15	See Fig. 8.2	LEFT END CAP ASSEMBLY	1
16	See Fig. 8.3	RIGHT END CAP ASSEMBLY	1
17	7301104	KNOB, CC2700	2
18	7301112	BASE	1
19	7301113	SHIELD, FRONT	1
20	7301114	HOUSING	1
21	7301115	EXTRUSION, FRONT	1
22	7301116	EXTRUSION, TOP	1
23	7301118	ROLLER ASSEMBLY, LARGE	1
24	7301151	ROLLER ASSEMBLY, SMALL	1
25	7301133	LABEL, CC2700	1
26	7301136	FAN, 115V	1
26	7301138	FAN, 230V	1
26	7301153	WIRE LEADS FOR 230V FAN	1
27	7301137	GUARD, FAN	1
28	7301152	WIRE KIT, CC2700	1

8.0 PARTS LIST - CC2700 ELECTRIC BINDER

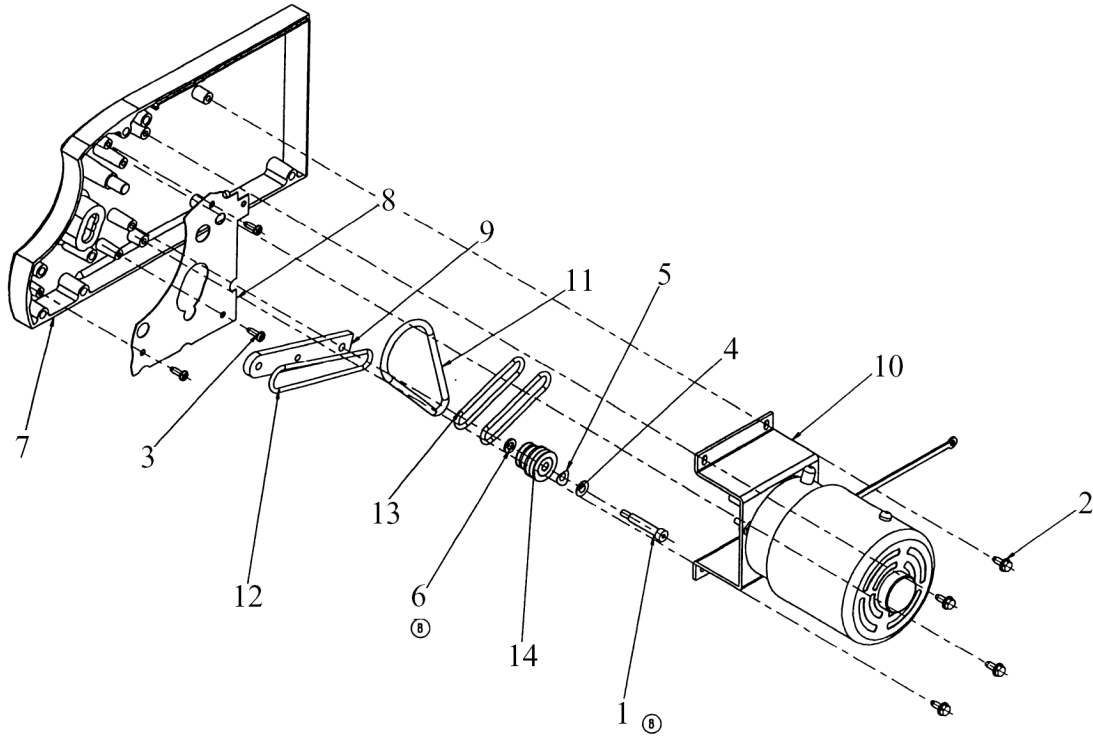


Figure 8-2 – Left End Cap Assembly

8.0 PARTS LIST - CC2700 ELECTRIC BINDER

8.2 Parts Listing, Left End Cap Assembly

Index	Part Number	Description	Qty
1	1900828	SCREW, SOCKET SHOULDER ¼ x 1-1/4	1
2	1907105	SCREW, 10-32 x ½ HEX T/23 EXT SEM	4
3	1907906	SCREW, 8-32 x 3/8 PHIL PAN HD TCS TYPE 23	3
4	1925107	WASHER .255 x .500 x .015 STEEL WASHER	1
5	1926312	WASHER, FORMED SPRING .250 x .500	1
6	1953509	BRNZ THST BRG .255 x .458 x .062	1
7	7301098	END CAP, LEFT CC2700	1
8	7301100	SHIELD, ENDCAP	1
9	7301102	PIVOT BRACKET	1
10	7301107	MOTOR, 115V	1
10	7301108	MOTOR, 230V	1
11	7301130	O-RING DRIVE BELT	1
12	7301131	O-RING DRIVE BELT	1
13	7301132	O-RING DRIVE BELT	2
14	7301135	IDLER PULLEY ASSEMBLY	1

8.0 PARTS LIST - CC2700 ELECTRIC BINDER

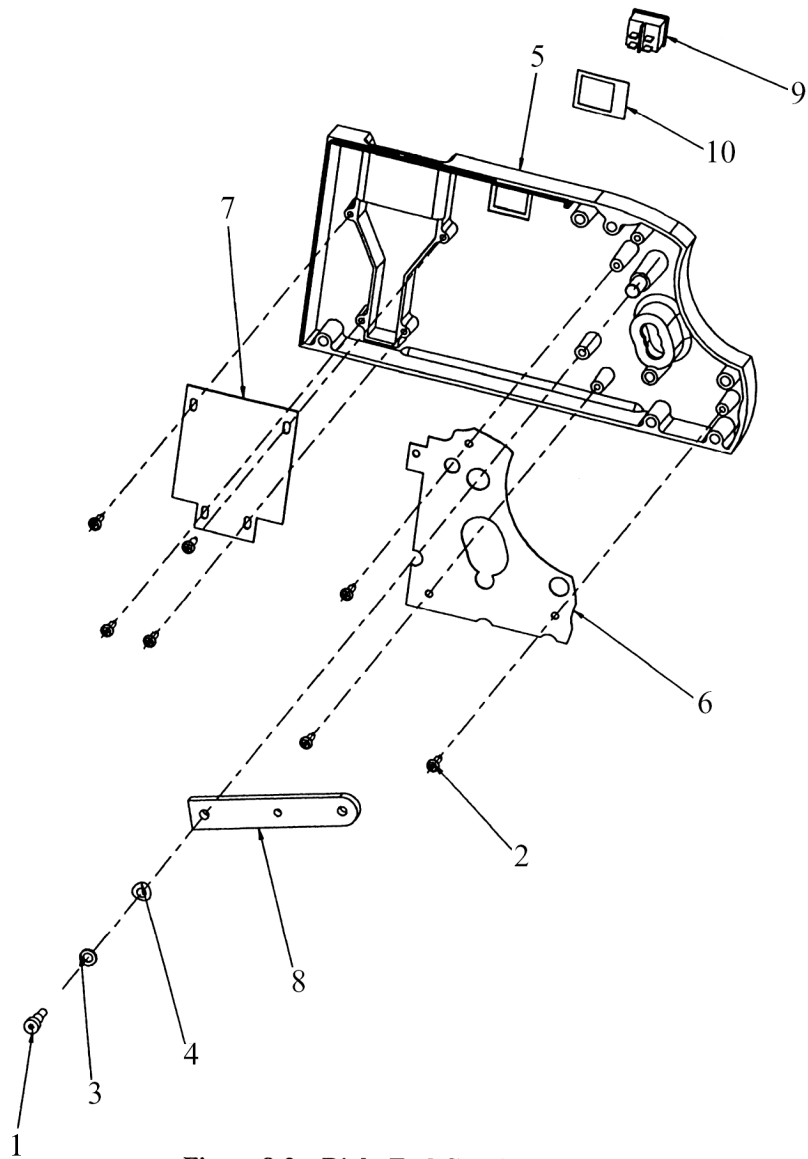


Figure 8-3 – Right End Cap Assembly

8.0 PARTS LIST - CC2700 ELECTRIC BINDER

8.3 Parts Listing, Right End Cap Assembly

Index	Part Number	Description	Qty
1	1900806	SCREW, SHOULDER SOCKET 1/4 x 3/8	1
2	1907906	SCREW, 8-32 x 3/8 PHIL PAN HD TCS TYPE 23	7
3	1925132	WASHER, STEEL .255 x .437 x .065	1
4	1926312	WASHER, FORMED SPRING .250 x .500	1
5	7301099	END CAP, RIGHT CC2700	1
6	7301100	SHIELD, END CAP	1
7	7301101	SHIELD, CRIMPER POCKET	1
8	7301102	PIVOT BRACKET	1
9	7301117	SWITCH, CC2700	1
10	7301134	LABEL, SWITCH, CC2700	1

8.0 PARTS LIST - CC2700 ELECTRIC BINDER

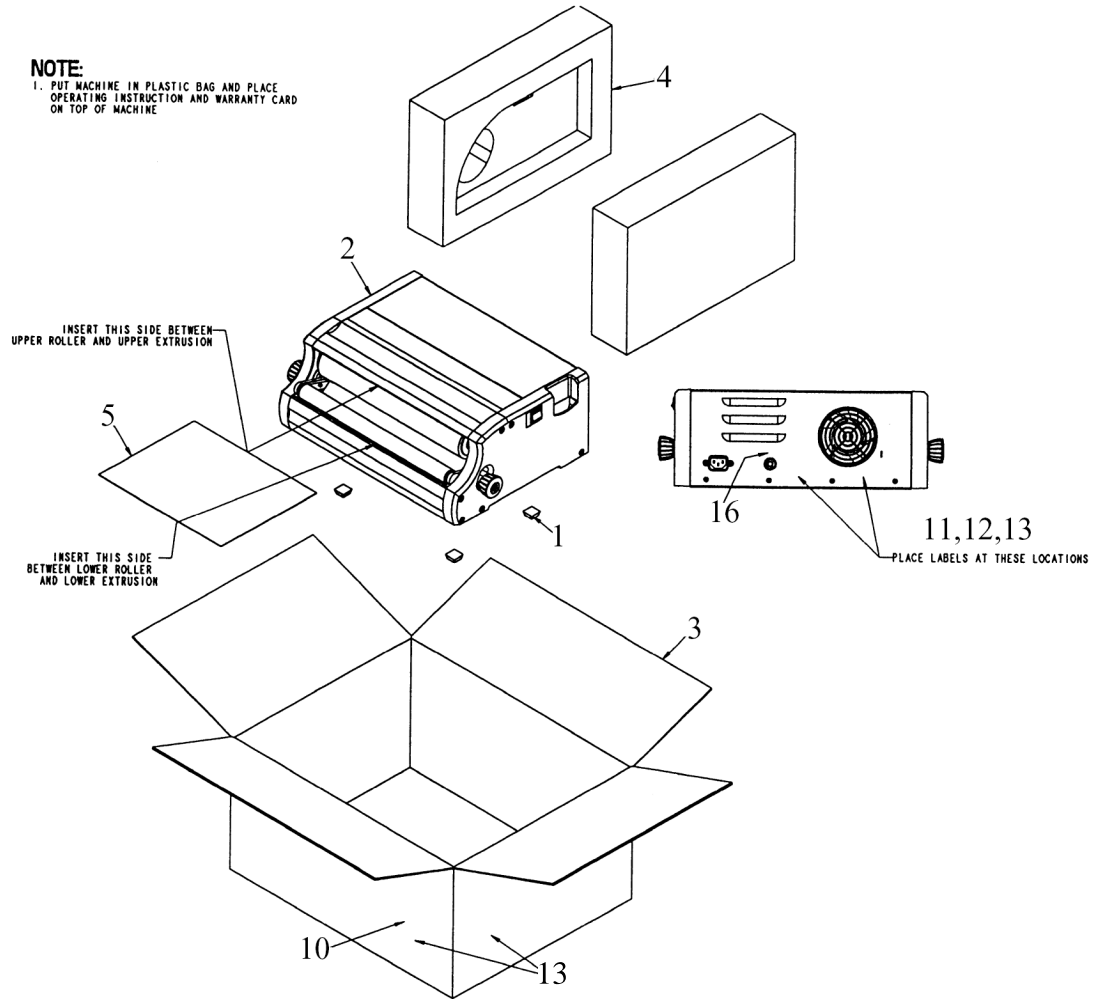


Figure 8-4 – Packaging Materials – CC2700

8.0 PARTS LIST - CC2700 ELECTRIC BINDER

8.4 Parts Listing, Packaging Materials – CC2700

Index	Part Number	Description	Qty
1	7300499	RUBBER FOOT	4
2	7301081	FINAL ASSEMBLY (115 VAC)	1
2	7301091	FINAL ASSEMBLY (230 VAC)	1
3	7301162	CARTON	1
4	7301163	END CAP SET	1
5	7301164	ROLLER SPACER	1
6	7300551	PLIERS, HAND CUT & CRIMP	1
7	7301082	PLASTIC BAG	1
8	7301166	OPERATING INSTRUCTIONS	1
9	6200001	CORD SET – 115 VAC NORTH AMERICA	1
9	6200002	CORD SET – 230V EUROPE	1
9	6200014	CORD SET – 230V UNITED KINGDOM	1
9	6200016	CORD SET – 240V AUSTRALIA	1
9	6200017	CORD SET – 100V JAPAN	1
10	6009242	NTTL/C SHIPPING LABEL	1
11	6009146	LABEL, SHOCK	1
12	6009078	CSA NRTL/C LABEL	1
13	1155000	MATERIAL LISTING	1
14	1155022	WARRANTY CARD	1
15	1963141	TAPE	5
16	1963905	FUSE LABEL	1