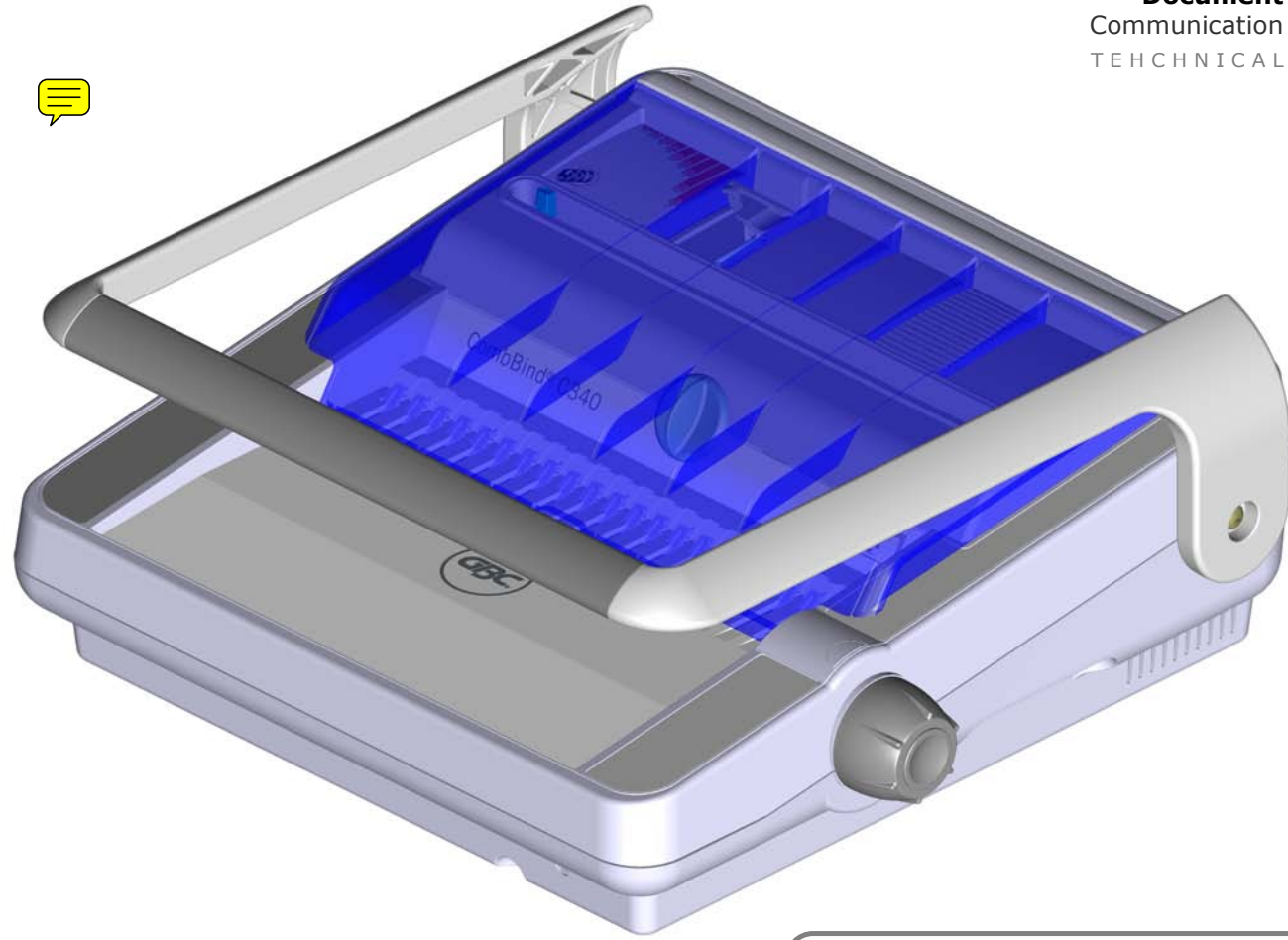
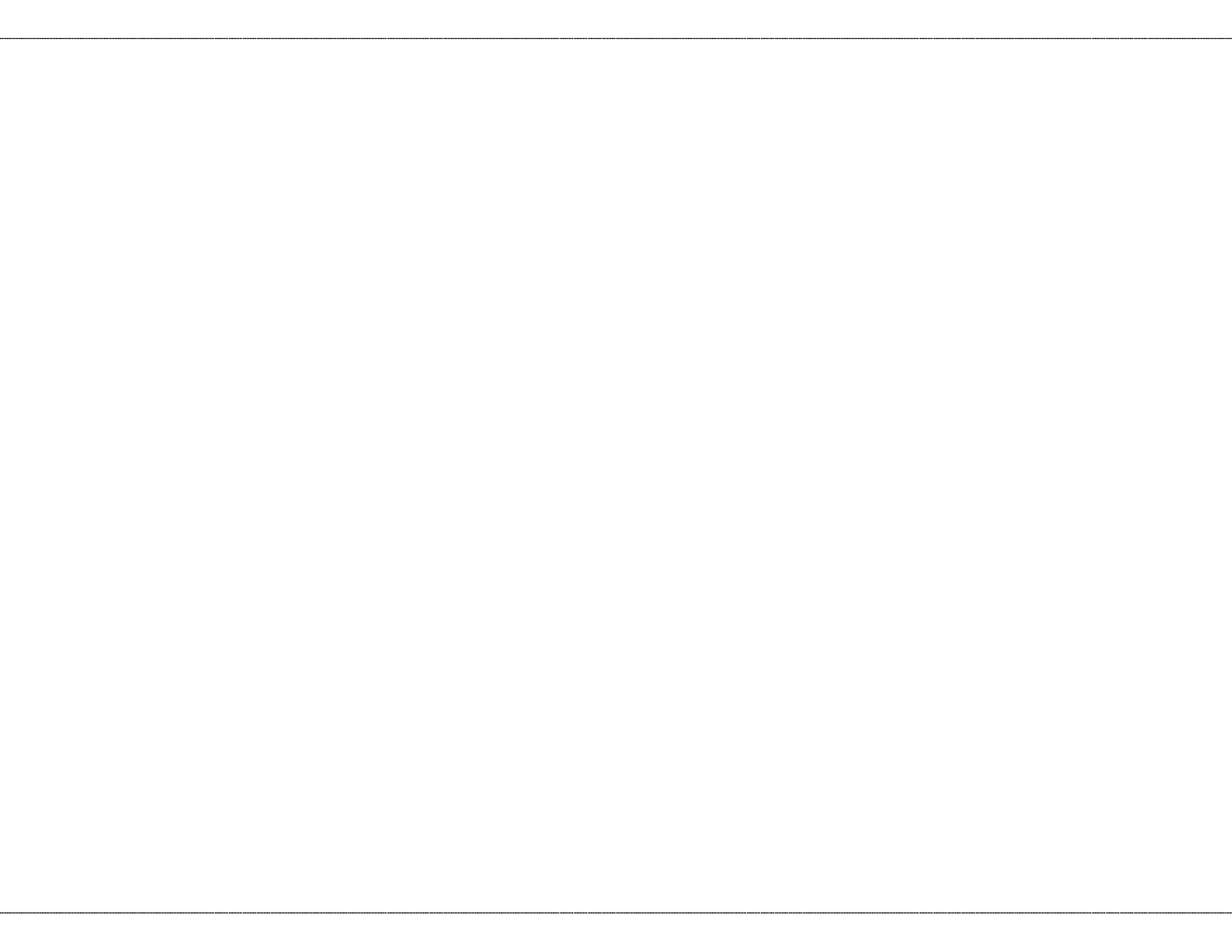


**S**ERVICE  
**M**ANUAL



**c450€**

<b>Product:</b> C450e Precision Pnch CB System	<b>Product code:</b> 7709100	<b>Serial No.:</b> UE00001P	<b>Date:</b> May 2008	<b>Edition:</b> 1
--	------------------------------	-----------------------------	-----------------------	-------------------





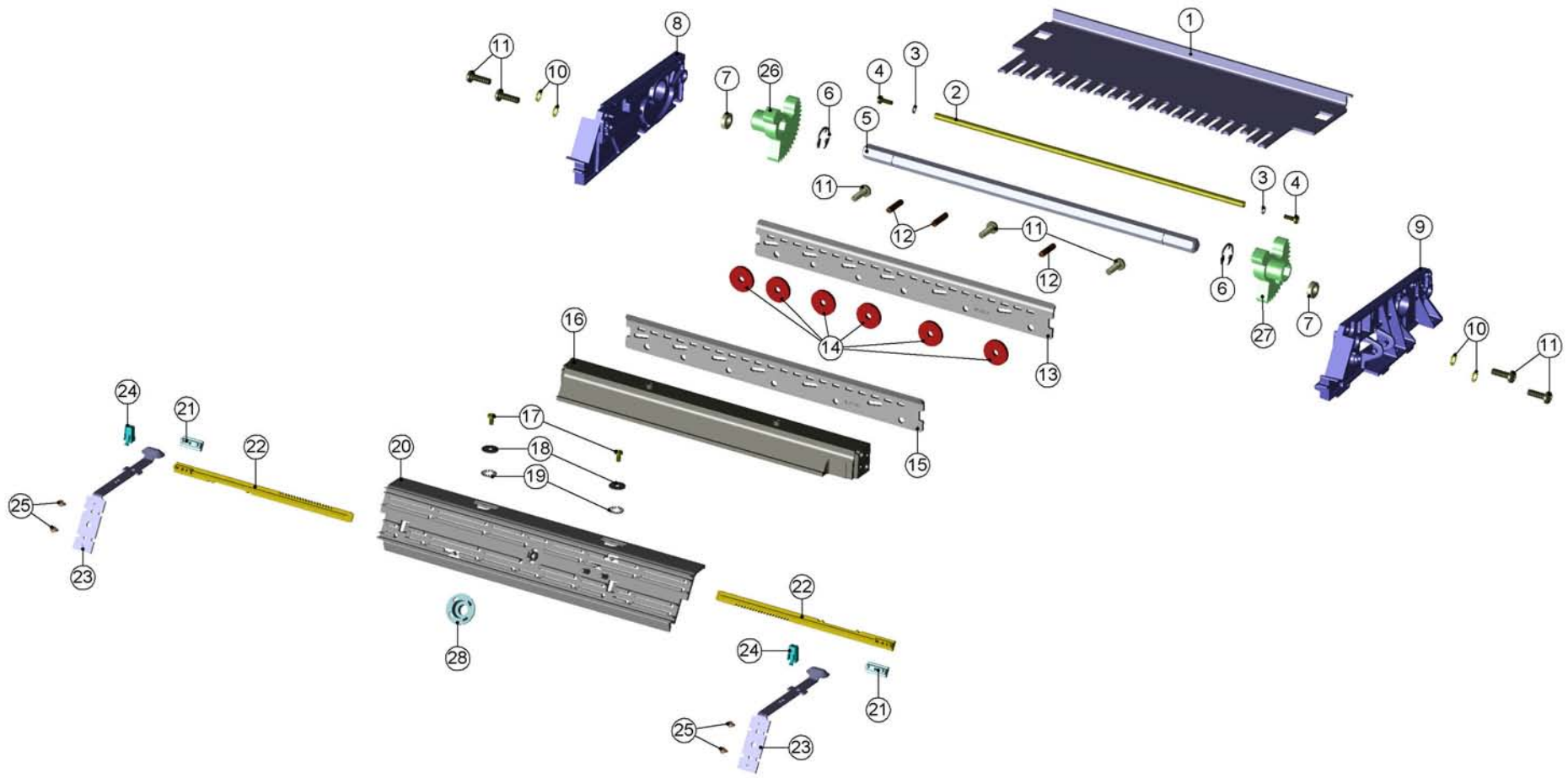
**Product:** C450e Precision Pnch CB System

**Product code:** 7709100

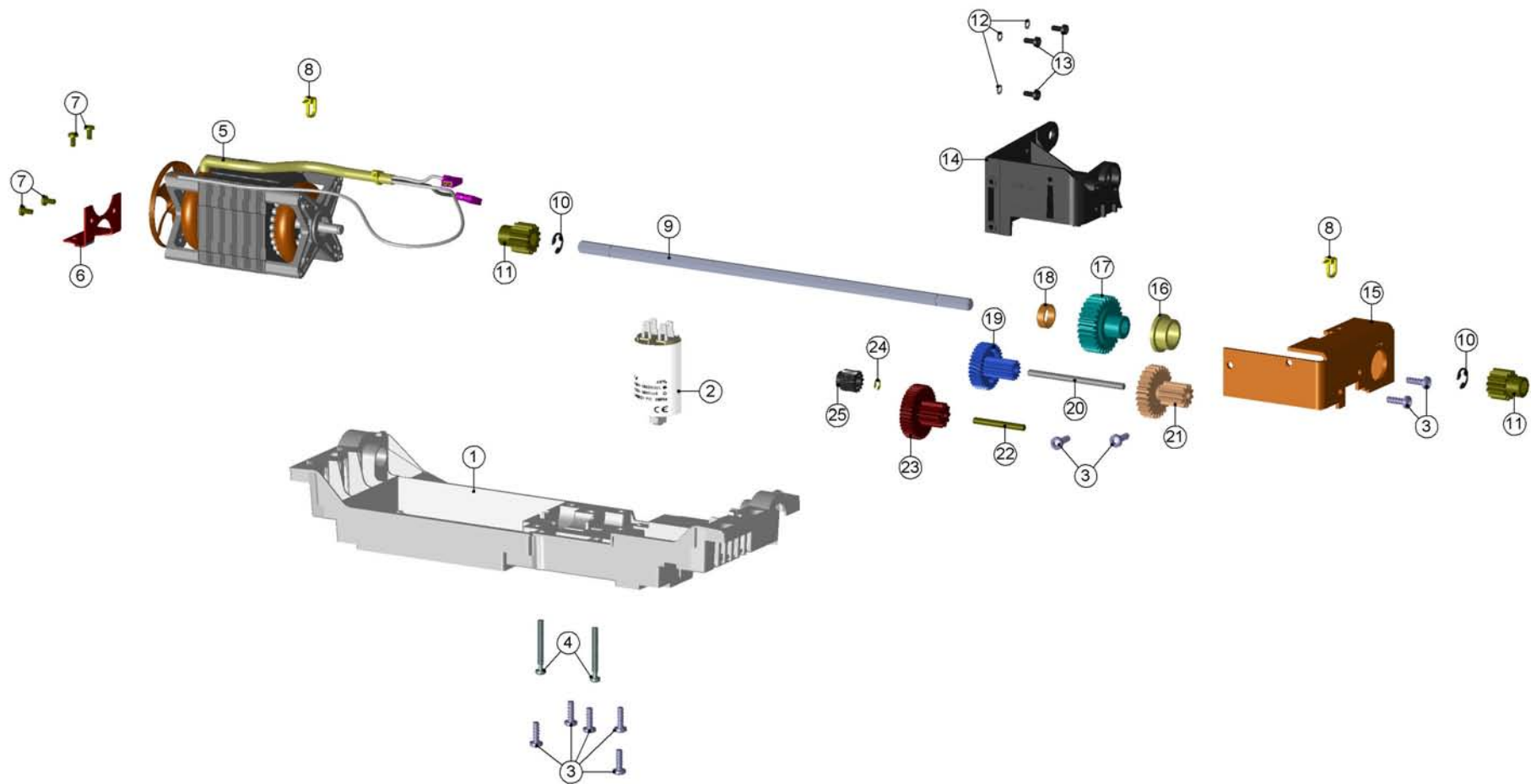
**Serial No.:** UE00001P

**Date:** May 2008

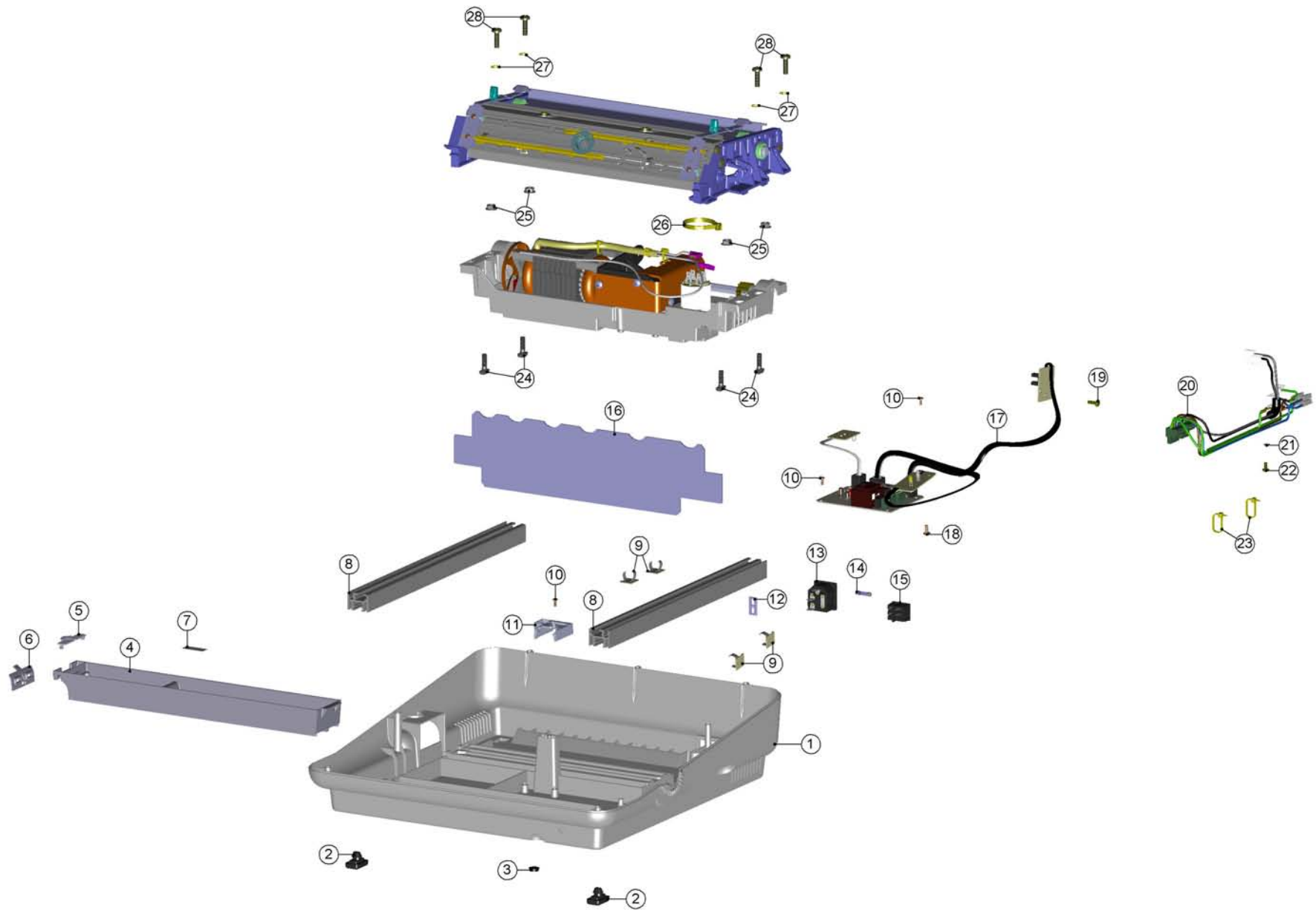
**Page:** 3 / 17



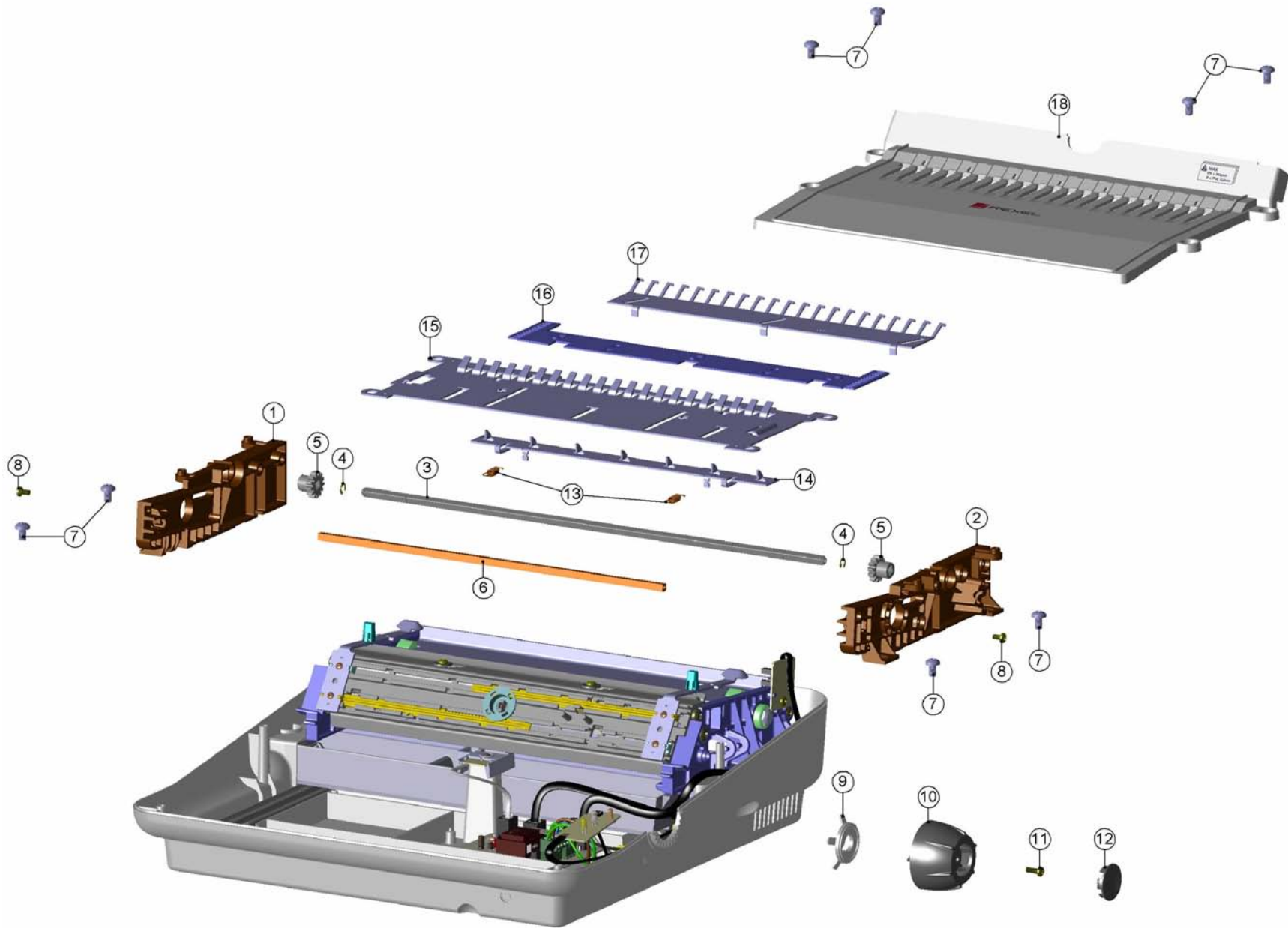
<b>Item</b>	<b>New Part No.</b>	<b>Old Part No.</b>	<b>Notes</b>	<b>Pre-Assemble Set</b>	<b>Description</b>
1	2-4644	----	----	----	CB Knife US - No Selector
2	2-4657	1000541	----	----	Punch mech tie bar
3	9-9415	SHK2	DIN 6797 A / M4	----	Toothed lock washer
4	9-9059	SCM160	DIN 7500 C / M4x12	----	Self drilling torx
5	2-4656	1000538	----	----	Punch shaft electric
6	9-9511	TRU98	DIN 6799 / A12	----	E-clip A12
7	2-4639	D55198	----	----	Buffer
8	2-4631	1000526	----	----	R/H punch side cheek
9	2-4630	1000525	----	----	L/H punch side cheek
10	9-9422	1000721	DIN 6798 A / M5x5,3	----	M6 int loc washer steel ZC1D
11	9-9184	SCM157	DIN 7500 C / M6x20	----	Pan torx taptite ZB
12	9-9600	PEG94	DIN 7344 / 6x24	----	Heavy duty spirol pin
13	2-4635	D55051	----	----	CB stripper plate
14	2-4652	D55100	----	----	Spacer washer
15	2-4634	D55050	----	----	CB die plate
16	2-4632	1000576	----	----	CB die support block
17	9-9058	1000872	DIN 7500 C / M4x8	----	Self drilling torx
18	9-9337	20438	DIN 125 A / M4(3)x16x1	----	Flat washer
19	9-9403	SHK11	DIN 6797 J / M8	----	Lock washer
20	2-4620	1000544	----	1-4620.90	Paper centering housing
21	2-4622	1000565	----	----	Paper centering support runner
22	2-4621	1000545	----	1-4620.90	Paper centering rack
23	2-4619	1000550	----	----	Side guide
24	2-4623	1000546	----	----	Paper centering guides
25	9-9186	10117	BN 20040 / 30x8	----	Plasform screw
26	2-4663	1000559	----	----	Quad gear L/H
27	2-4664	1000560	----	----	Quad gear R/H
28	2-4624	1000548	----	1-4620.90	Gear



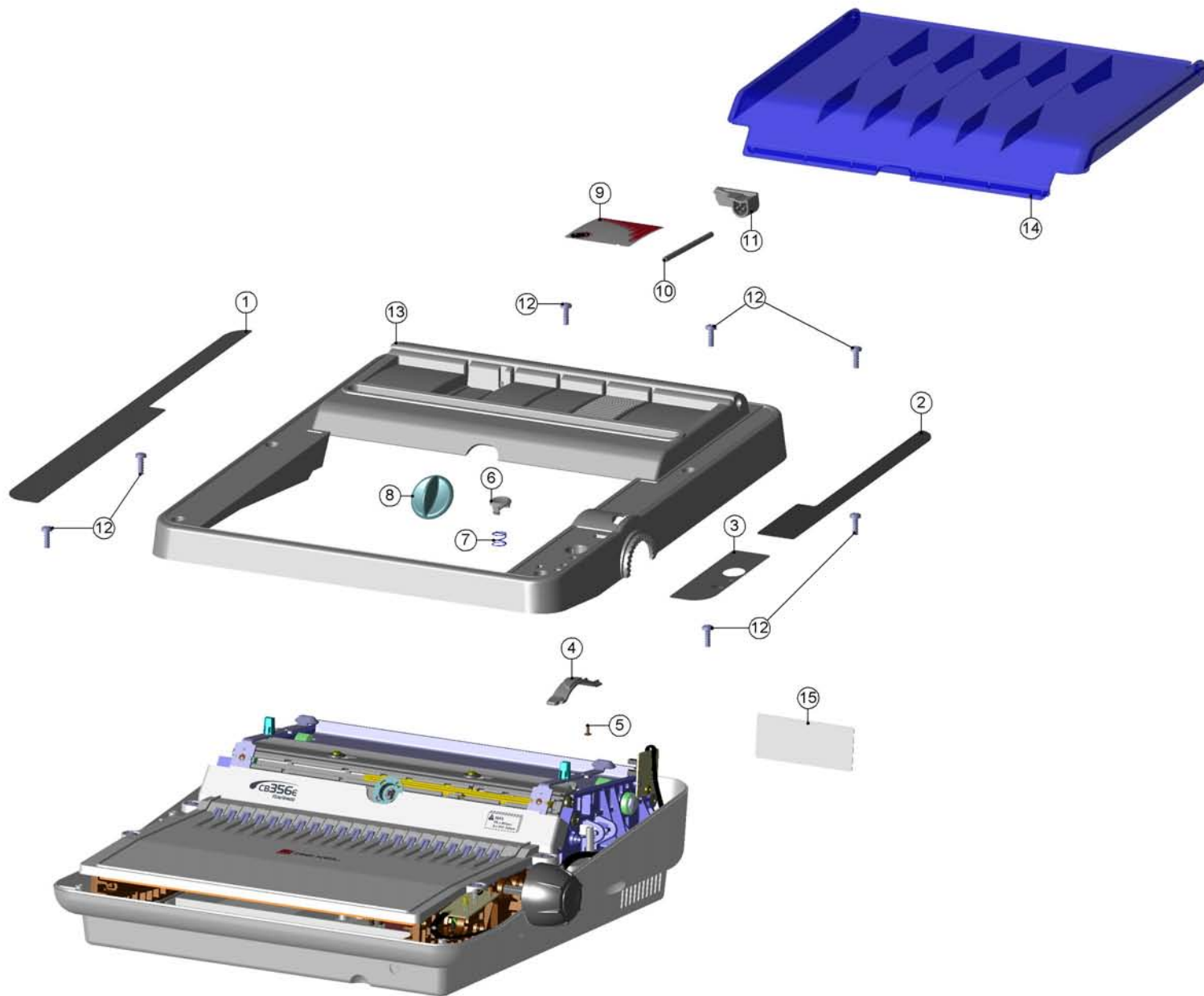
<b>Item</b>	<b>New Part No.</b>	<b>Old Part No.</b>	<b>Notes</b>	<b>Pre-Assemble Set</b>	<b>Description</b>
1	2-4772	1000434	----	----	Chassis
2	2-4781	SL6-76	----	----	25MFD CAP. 400V STUD MOUNT
3	9-9185	SCR722	BN 13577 / KA50x16	----	Pan plasfix BZP
4	9-9188	1000717	KA 50x40	----	TX STL PT screw
5	2-4771	----	----	----	140W 120V MOTOR
6	2-4779	1000878	----	----	Motor support bracket
7	9-9058	1000872	DIN 7500 C / M4x8	----	Self drilling torx
8	2-2835	----	----	----	Cable binder
9	2-4773	1000422	----	----	Gear box shaft
10	9-9534	Tru100	DIN 6799 / 8	----	E-Clip
11	2-4775	1000423	----	----	Drive gear
12	9-9415	SHK2	DIN 6797 A / M4	----	Toothed lock washer
13	9-9137	----	DIN 7500 C / M4x10	----	Self drilling torx
14	2-4790	D55073	----	----	Gearbox top casing
15	2-4776	1000438	----	----	Bearing mounting plate
16	2-4788	BSH79	----	----	Oilite bearing (12 mm long)
17	2-4784	D55191	----	----	Spur gear 29T (PM2126)
18	2-4787	BSH78	----	----	Oilite bearing (6,5 mm long)
19	2-4783	D55189	----	----	Compound gear 34/13T
20	2-4615	D55072	Ø5x85	----	Gear shaft long
21	2-4785	D55215	----	----	Compound gear 26/10T (PM2125)
22	2-4789	D55163	----	----	Gear shaft short
23	2-4786	D55240	----	----	41/10T Compound gear sintered
24	9-9510	TRU99	DIN 6799 / A5	----	Retaining washer
25	2-4782	D55162	----	----	Motor pinion helical



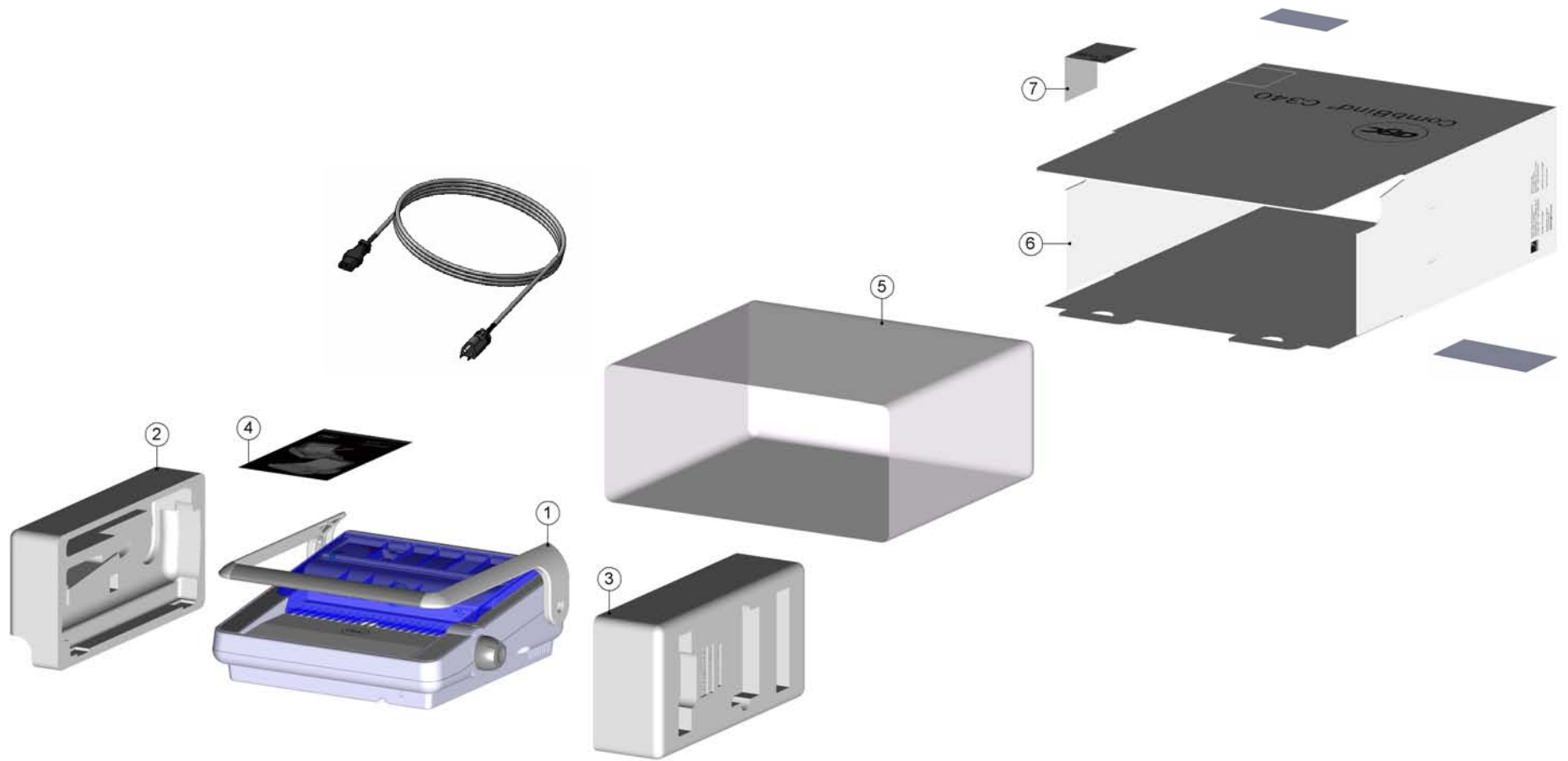
<i>Item</i>	<i>New Part No.</i>	<i>Old Part No.</i>	<i>Notes</i>	<i>Pre-Assemble Set</i>	<i>Description</i>
1	2-4700	1000705	----	----	Bottom case UL
2	2-4616	D55203	----	----	Rubber foot front
3	2-4779	1000878	----	----	Motor support bracket
4	2-4710	1000587	----	1-4711.90	Clipping tray UL
5	2-4712	----	----	1-4711.90	Clip UL
6	2-4711	----	----	1-4711.90	Clippings tray cover UL
7	2-4774	1000743	----	----	Clip tray reflector label
8	2-4609	1000436	----	----	Module mounting section
9	2-4855	1000766	----	----	Ali cable retainer
10	9-9186	10117	BN 20040 / 30x8	----	Plasform screw
11	2-4797	1000884	----	----	Clips tray sensor shroud UL
12	2-4617	20160	----	----	Kensington lock plate
13	2-4792	11287	----	----	Black Euro-socket
14	2-4798	10336	----	----	Anti-surge 3.15 Amp fuse
15	2-4791	21019	----	----	On/Off rocker switch
16	2-4713	1000588	----	----	Inner wall rear
17	1-4791.90	----	----	----	Sensor PCB Assy US
18	9-9100	SCR718	BN 82428 / KA 40x10	----	PT Cross rec. rais. ch. H.
19	9-9059	SCM160	DIN 7500 C / M4x12	----	Self drilling torx
20	1-4793.90	----	----	----	Harness for FlowLine Pro US
21	9-9415	SHK2	DIN 6797 A / M4	----	Toothed lock washer
22	9-9058	1000872	DIN 7500 C / M4x8	----	Self drilling torx
23	2-2835	----	----	----	Cable binder
24	9-9192	1000455	M6x20	----	T-bolt
25	9-9200	1000456	DIN 439 B / M6	----	Flange nut
26	2-4857	20286	----	----	Cable tie large
27	9-9184	SCM157	DIN 7500 C / M6x20	----	Pan torx taptite ZB
28	9-9184	SCM157	DIN 7500 C / M6x20	----	Pan torx taptite ZB



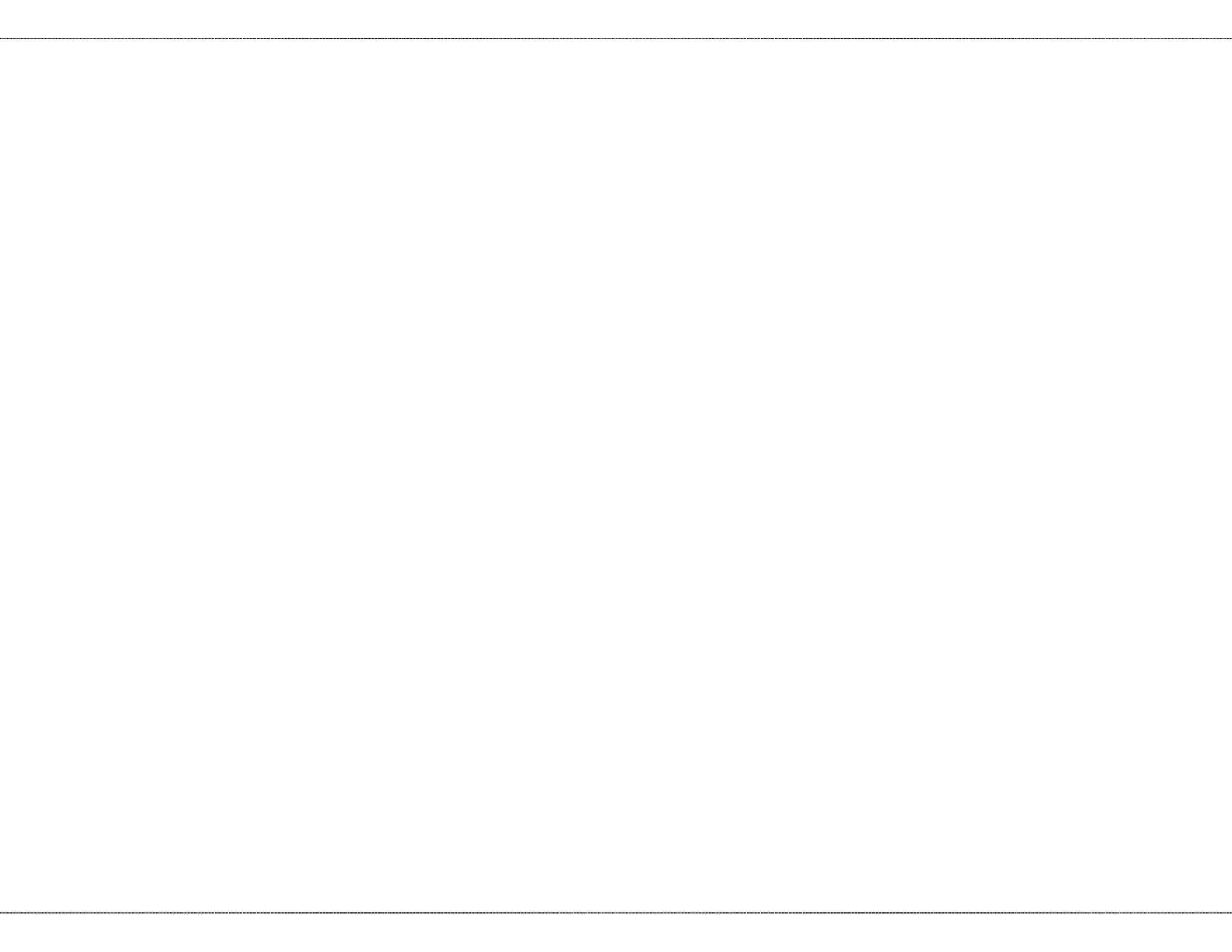
<b>Item</b>	<b>New Part No.</b>	<b>Old Part No.</b>	<b>Notes</b>	<b>Pre-Assemble Set</b>	<b>Description</b>
1	2-4678	1000465	----	----	CWB side cheek L/H
2	2-4679	1000466	----	----	CWB side cheek R/H
3	2-4686				
4	9-9510	TRU99	DIN 6799 / A5	----	Retaining washer
5	2-4689	D47010	----	----	13T gear
6	2-4688				
7	9-9181	1000690	DIN 7500 C / M6x10	----	Rec pan steel tritap ZC1D
8	9-9058	1000872	DIN 7500 C / M4x8	----	Self drilling torx
9	2-4732	1000519	----	----	Spider
10	2-4731	1000445	----	----	Knob comb / Wire opening
11	9-9059	SCM160	DIN 7500 C / M4x12	----	Self drilling torx
12	2-4730	1000557	----	----	Cap
13	2-4687	D55091	----	----	Comb opening clamp spring
14	2-4685	D55078	----	----	Clamp plate
15	2-4682	D55079	----	----	Comb opening base plate
16	2-4683	D55076	----	----	Comb opening drive plate
17	2-4684	D55077	----	----	Comb opening finger plate
18	2-4675.10	----		----	Infill panel CB356E/CB366 FR

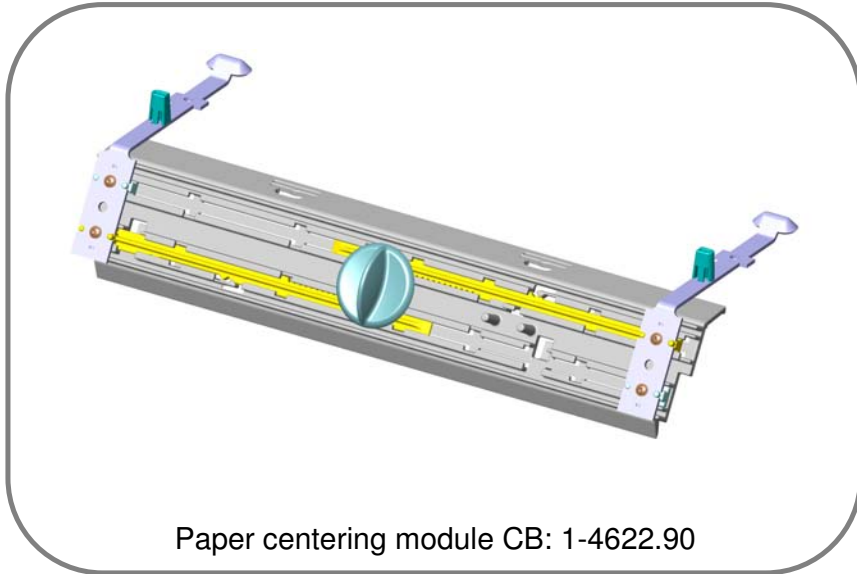


<b>Item.</b>	<b>New Part No.</b>	<b>Old Part No.</b>	<b>Notes</b>	<b>Pre-Assemble Set</b>	<b>Description</b>
1	2-4800	1000594	----	----	Decor panel LH mid grey
2	2-4802	1000595	----	----	Decor panel RH mid grey
3	2-4806	1000597	----	----	Decor label MG electric
4	2-4618	1000708	----	----	Lens cool grey
5	9-9186	10117	BN 20040 / 30x8	----	Plasform screw
6	2-4777	1000572	----	----	Punch button
7	2-4778	1000735	----	----	Compression spring
8	2-4625	1000547	----	----	Knob – Paper centering
9	2-4819	----	----	----	Picto label C340&C450e
10	2-4615	D55072	Ø5x85	----	Gear shaft long
11	2-4614	1000724	----	----	Paper segregator – 20 sheets
12	9-9185	SCR722	BN 13577 / KA50x16	----	Pan plasfix BZP
13	2-4701	1000706	----	----	Top case UL
14	2-4602	1000543	----	----	Hopper cover blue
15	2-4849	----	----	----	RATING LABEL C450e GBC

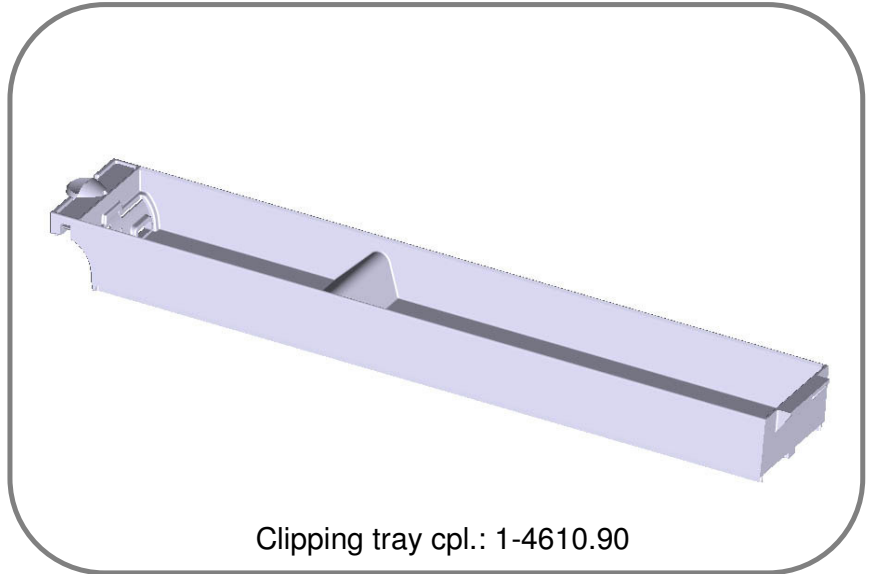


<i>Item.</i>	<i>New Part No.</i>	<i>Old Part No.</i>	<i>Notes</i>	<i>Pre-Assemble Set</i>	<i>Description</i>
1	7709100	7709100	----	----	C450e Precision Pnch CB System
2	8-4600	1000694	----	----	LH - EPS inserts – binder 2
3	8-4600	1000694	----	----	RH - EPS inserts – binder 2
4	8-4616	----	----	----	C340 & C450e Manual
5	8-8034	20071	----	----	Dust bag
6	8-4606	1000822	----	----	C340 / C450e Carton
7	8-4641	----	----	----	Sign off label C450e
8	8-4661	----	----	----	C450e CARTON STICKER
9	2-4048	----	----	----	Power cord USA

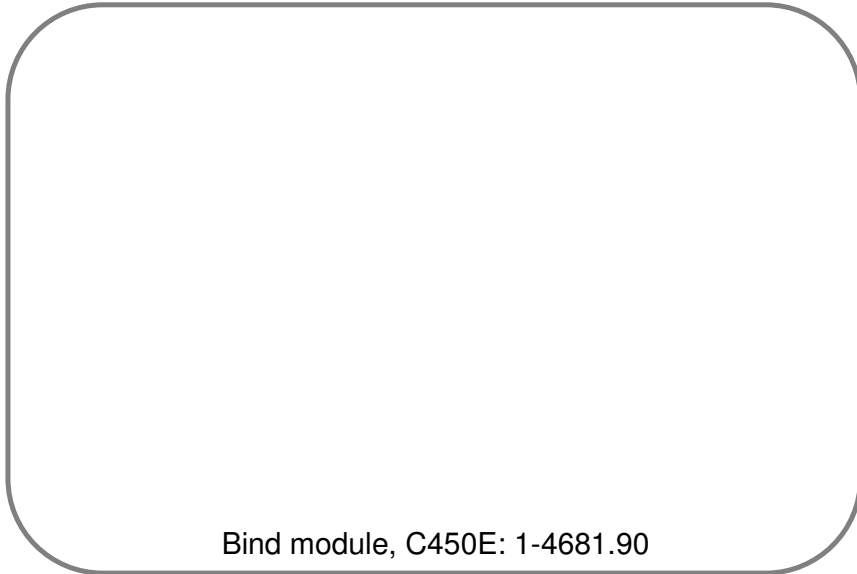




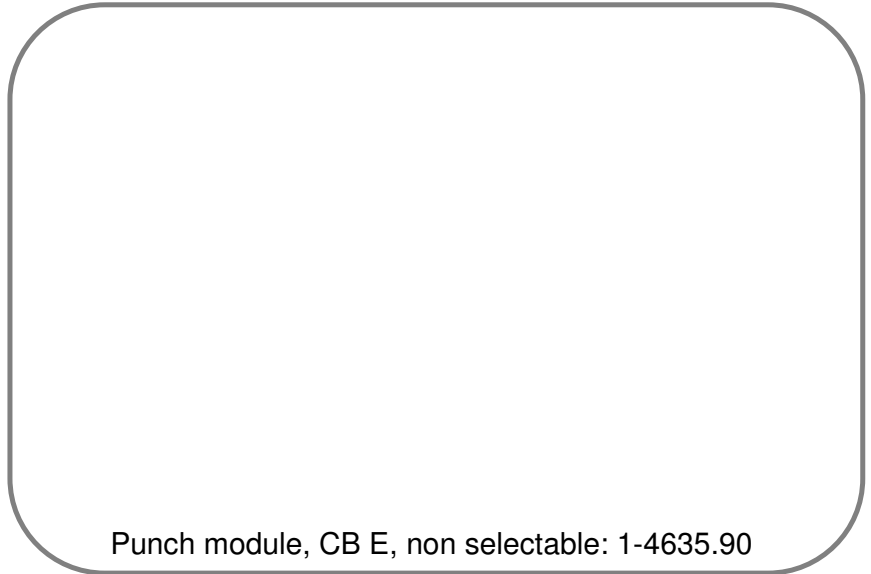
Paper centering module CB: 1-4622.90



Clipping tray cpl.: 1-4610.90



Bind module, C450E: 1-4681.90



Punch module, CB E, non selectable: 1-4635.90