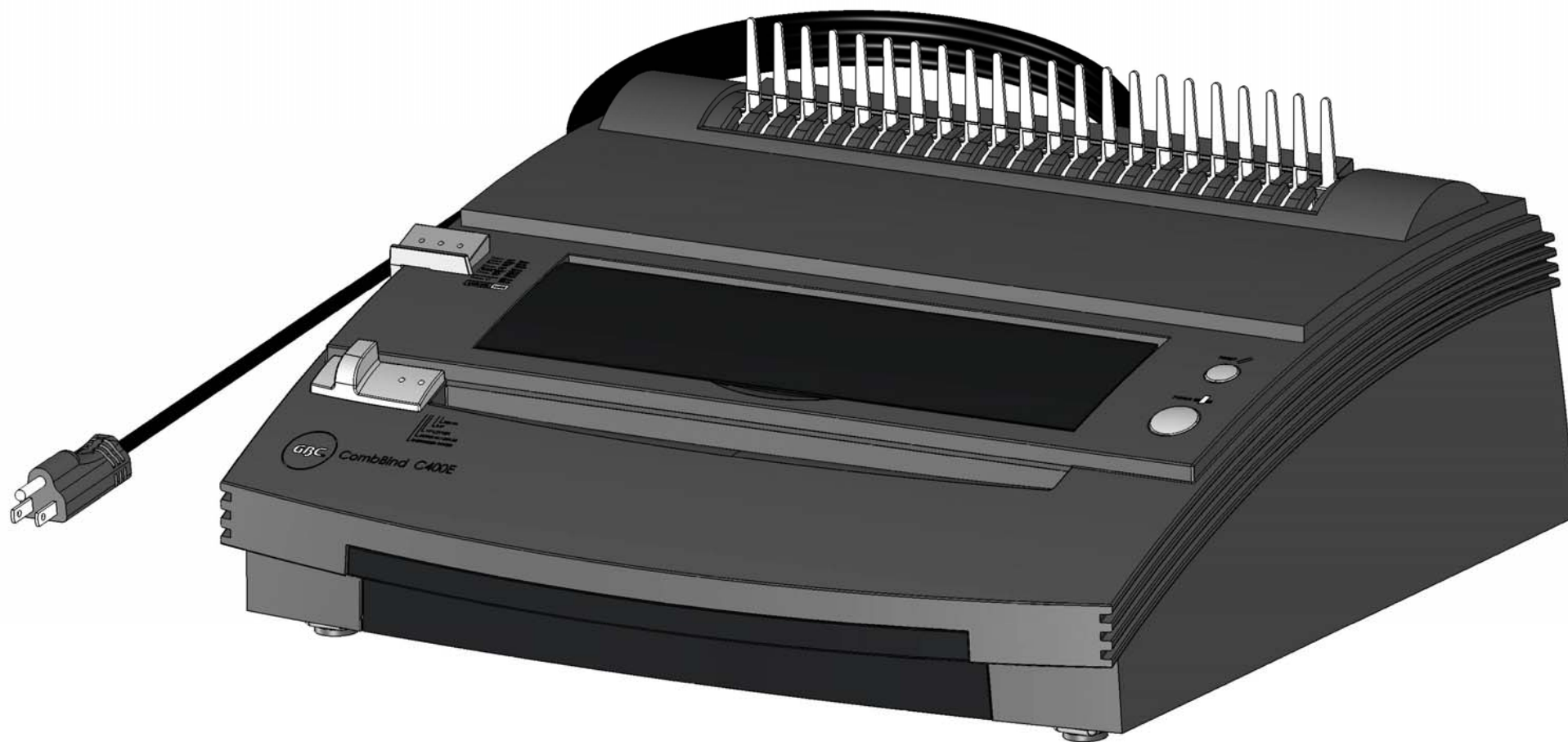
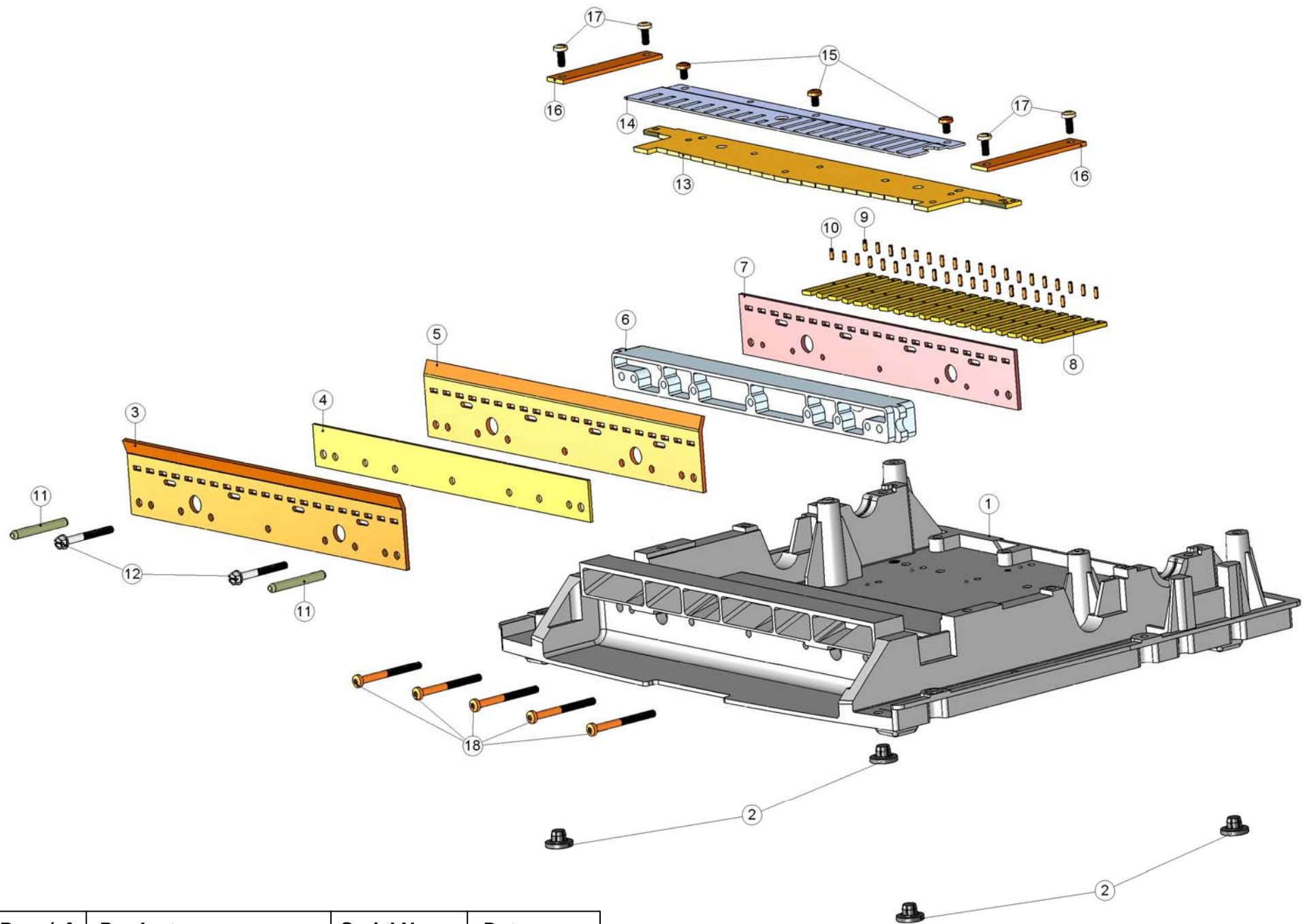


CombBind C400e 20Sh (USA)



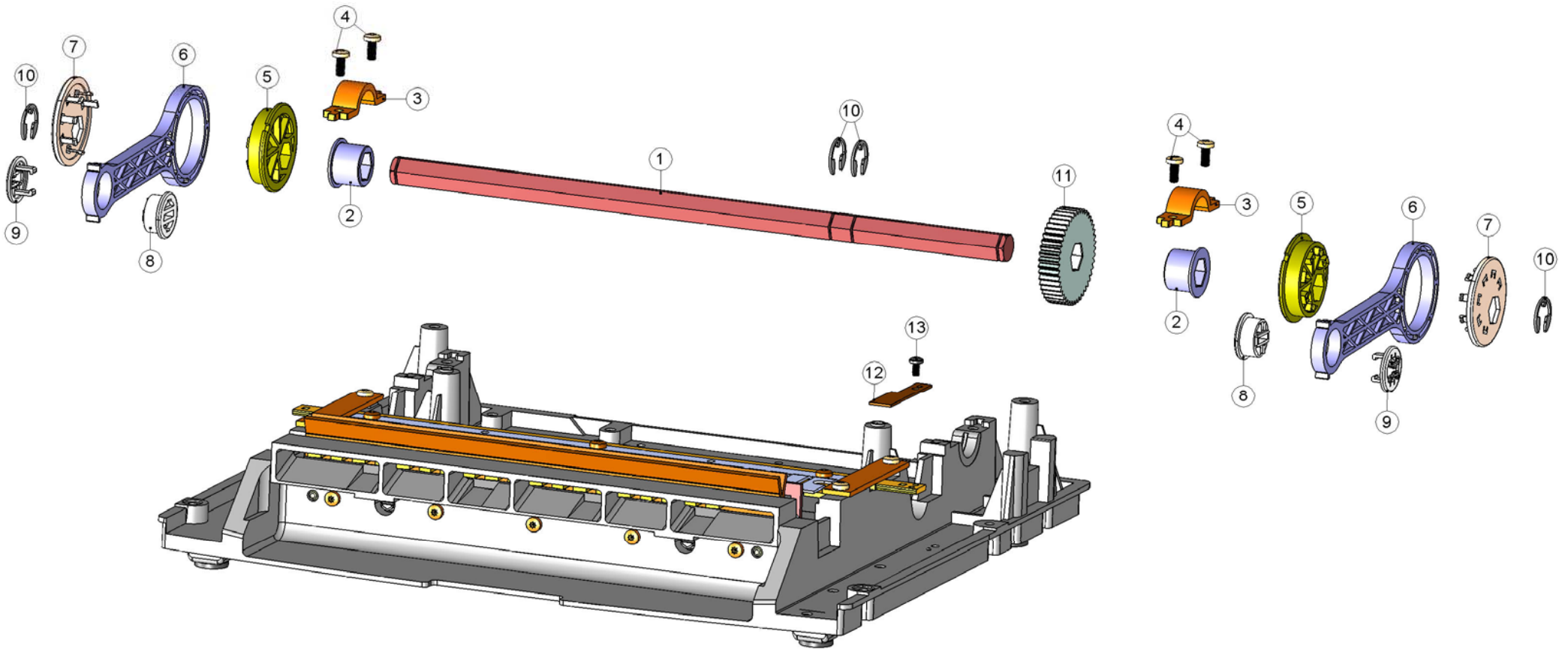
Ersatzteilkatalog
Spare parts catalogue
Catalogue des pièces détachées
Catálogo de peças

Edition	Serial No.	Date	Name
1	RGP0001-	July 2005	GBC Portuguesa



Page/of	Product	Serial No.	Date
4 / 15	CombBind C400e USA 20Sh	RGP0001-	July 2005

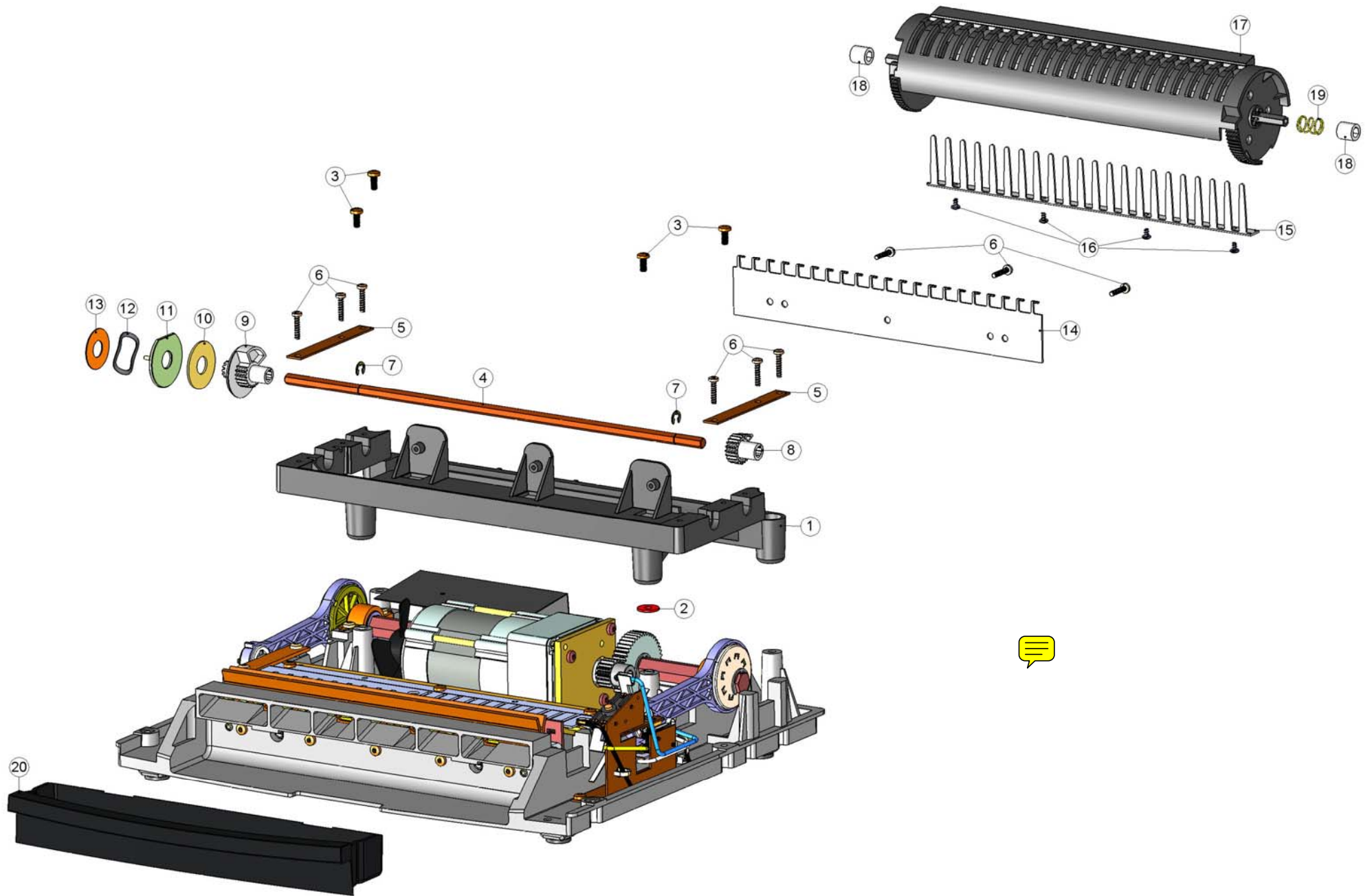
<i>Pos.</i>	<i>New Part No.</i>	<i>Old Part No.</i>	<i>Notes</i>	<i>Pre-Assemble Set</i>	<i>Description</i>
1	PT2800020	7703542	----	----	Base, punch - machined
2	PT2450710	----	----	----	Foot
3	----	7703532	----	1-8013.90	Die plate
4	----	7703633	----	1-8013.90	Lower spacer
5	----	7703543	----	1-8013.90	Die plate
6	----	7703534	----	1-8013.90	Spacer, upper
7	----	7703539	----	1-8013.90	Die plate
8	----	7703537	----	1-8013.90	Punch pin
9	----	1931508	----	1-8013.90	Pin-spirol
10	----	1931509	----	1-8013.90	Pin-spirol
11	----	1954103	----	1-8013.90	Dowel pin 1/4x2.00
12	----	1907410	----	1-8013.90	Scr 10-32x1 Sems HX HD M
13	PT2800829	7703538	----	----	Pressure bar
14	PT2800920	7703549	----	----	Stripper
15	PT9905400	1907105	DIN 7500C / M5x8	----	Self drilling torx screw
16	PT2801629	----	----	----	Slide
17	PT9904600	----	DIN 7500C / M5x12	----	Self drilling torx screw
18	PT9917510	1907411	DIN 7985	----	Scr 10-32x2 1/4 Sems HX washer Hd TAP



<i>Page/of</i>	<i>Product</i>	<i>Serial No.</i>	<i>Date</i>
6 / 15	CombBind C400e USA 20Sh	RGP0001-	July 2005

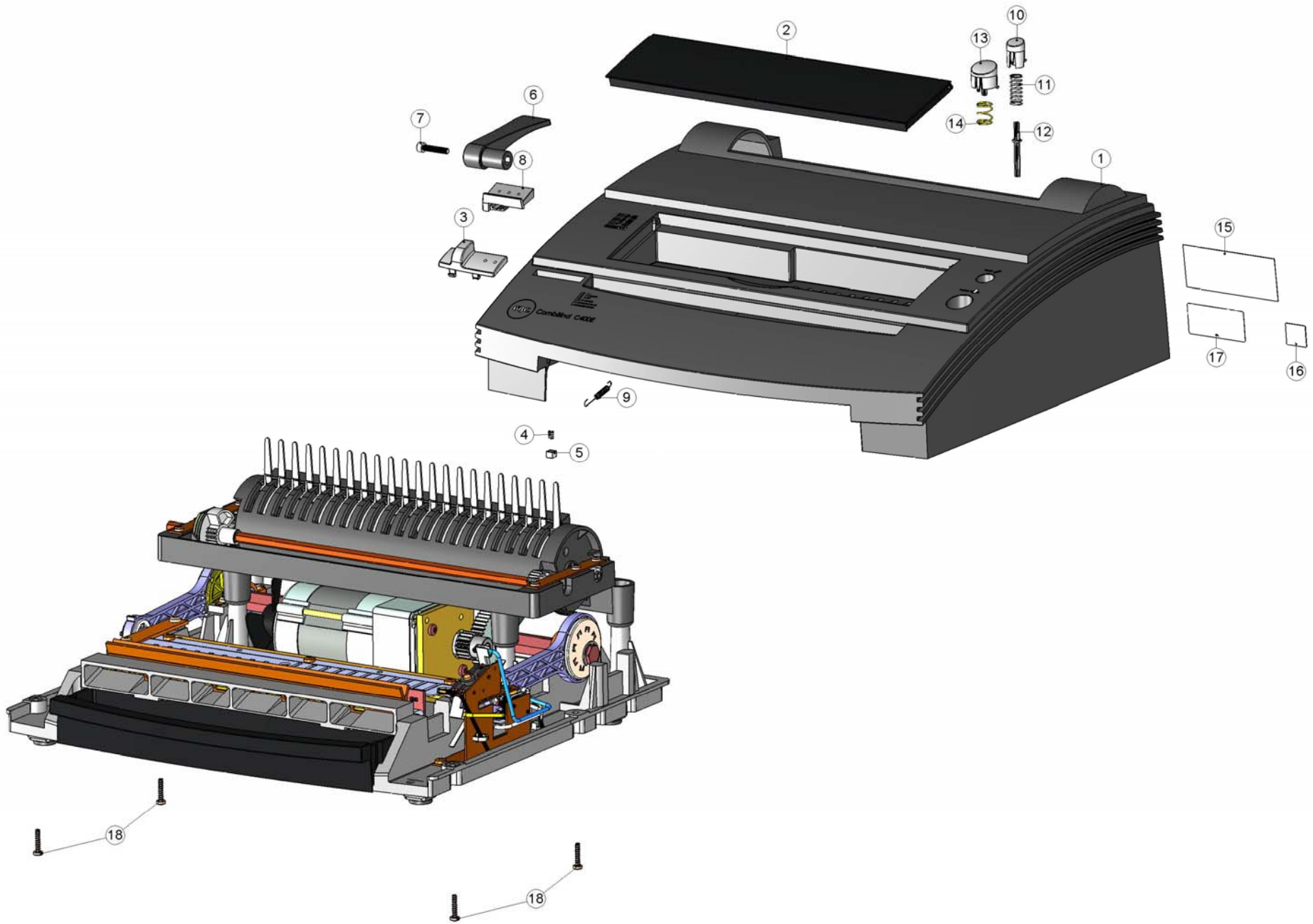
<i>Pos.</i>	<i>New Part No.</i>	<i>Old Part No.</i>	<i>Notes</i>	<i>Pre-Assemble Set</i>	<i>Description</i>
1	PT2805510	7706057	----	----	Drive shaft
2	PT2800510	----	----	----	Bearing
3	PT2800429	----	----	----	Bearing cap
4	PT9904600	----	DIN 7500C / M5x12	----	Self drilling torx screw
5		7703547	----	1-8004.90	Eccentric
6		7703544	----	1-8004.90	Connecting link
7		----	----	1-8004.90	Eccentric cap
8		----	----	1-8004.90	Press beam bushing
9		----	----	1-8004.90	Bushing cap
10	PT9951100	1930554	DIN 6799 / A12	----	E-clip
11	PT2804310	7703631	----	----	Drive gear 45T
12	PT2825429	7703641	----	----	Actuator arm
13	PT9905800	1907805	DIN 7500C / M4x8	----	Self drilling Torx screw

Pos.	New Part No.	Old Part No.	Notes	Pre-Assemble Set	Description
1	PT2804500	7703612	----	----	Motor 115V P300 (USA)
2	PT2804920	7703635	----	----	Bracket, motor P300
3	PT2818020	1852815	----	----	Key
4	PT2805210	7703699	----	----	Gear, pinion 17T case harden
5	PT99190	----	DIN 7500C / M5x20	----	Self drilling torx screw
6	PT9911500	1900026	DIN 913 / M5x8	----	Hex. sock. thread. pin, cone
7	PT9912300	1907102	DIN 7500C / M5x16	----	Self drilling torx screw
8	PT2802900	6205037	----	----	Capacitor, motor 25uF
9	PT2803100	6205041	----	----	Bracket capacitor 40mm
10	PT9905400	1907105	DIN 7500C / M5x8	----	Self drilling torx screw
11	PT2802120	7703655	----	----	Bracket electrical panel
12	PT2802510	6190015	----	----	Socket cord (USA)
13	PT2802210	7703639	----	----	Shield electrical
14	PT2822200	1929603	----	----	Plastic rivet
15	PT9940100	----	DIN 7980 / M5	----	Spring lock washer
16	PT2803520	7703606	----	----	Bracket, punch switch
17	PT2803610	1118972	----	----	Release switch spacer
18	PT2803300	7703640	----	----	Micro switch
19	PT2803420	7703638	----	----	Punch switch
20	PT9918000	1902834	DIN 7500C / M3x16	----	Duo-Taptite screw w. ch. h.
21	PT9917900	1907840	DIN 7500 / M3x20	----	Srew 6-32x1 Pan HD TAP
22	PT2810500	1932123	----	----	Wire tie
23	PT1805090	7703627	----	----	Wire kit P300 / TL300
24	PT26183	----	----	----	Cable binder, UL



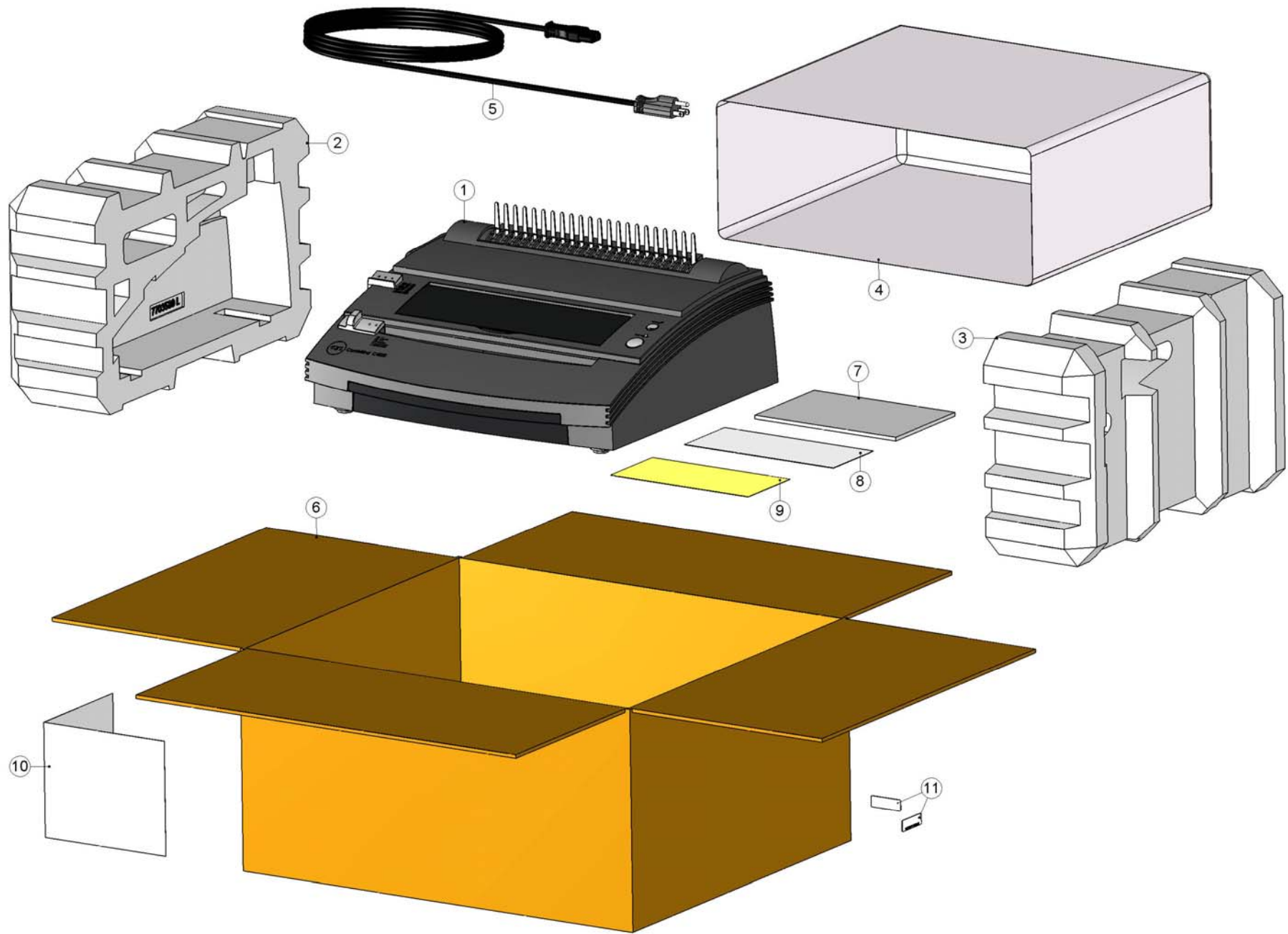
Page/of	Product	Serial No.	Date
10 / 15	CombBind C400e USA 20Sh	RGP0001-	July 2005

Pos.	New Part No.	Old Part No.	Notes	Pre-Assemble Set	Description
1	PT2806010	7703554	----	----	Bind base
2	PT9930300	1925140	DIN 9021A / M6	----	Washer
3	PT9904600	----	DIN 7500C / M5x12	----	Self drilling torx screw
4	PT2806229	7703558	----	----	Drive gear shaft
5	PT2806929	7703563	----	----	Strap
6	PT9914700	1901206	BN 82428 / KA 40x20	----	Pt-cross rec. rais. ch. h..., zinc pl.
7	PT9953300	1930514	DIN 6799 / A6	----	E-clip
8	PT2806410	7703581	----	----	Idler gear
9	PT2806310	7703556	----	----	Cam gear
10	PT2806510	7703566	----	----	Friction disc
11	PT2806610	7703555	----	----	Friction plate
12	PT9942600	1926510	----	----	Wavy washer
13	PT9934100	1925158	14x34x0,8	----	Washer
14	PT2806120	7703557	----	----	Hook plate
15	PT2805820	7703560	----	----	Comb, silver
16	PT9917300	1901202	BN 82428 / KA 35x6	----	Pan head eco-syn screw
17	PT2805710	7703560	----	----	Shroud, black (USA)
18	PT2806710	7703562	----	----	Guide bearing
19	PT2806810	7703629	----	----	Spring, punch switch button
20	PT2808110	7703570	----	----	Chip tray, black (UL)



Page/of	Product	Serial No.	Date
12 / 15	CombBind C400e USA 20Sh	RGP0001-	July 2005

Pos.	New Part No.	Old Part No.	Notes	Pre-Assemble Set	Description
1	PT2807370	7703678	----	----	Housing,black CombBind C400e (printed)
2	PT2810810	7703571	----	----	Door, pull pins, black (UL)
3	PT2807710	7703577	----	----	Edge guide, grey
4	PT2808310	7703577	----	----	Spring, edge guide
5	PT2808410	7703578	----	----	Slide, edge guide
6	PT2800249	7703536	----	----	Bind handle - painted, black
7	PT9918900	1907406	M5x25	----	Hex. socket h. cap screw
8	PT2807910	7703573	----	----	Binder sizer, grey
9	PT2808210	7703575	----	----	Spring, binder sizer
10	PT2808910	7703647	----	----	Reverse switch button, grey
11	PT2808510	7703649	----	----	Spring, reverse switch button
12	PT2810910	7703648	----	----	Stem, reverse switch button
13	PT2808710	7703628	----	----	Punch switch button, grey
14	PT2806810	7703629	----	----	Spring, punch switch button
15	PT2565310	6009146	----	----	Label " Warning ", USA
16	PT2817110	6009078	----	----	CSA NRTL/C label
17	PT2815710	----	----	----	Type label CombBind C400e 20Sh
18	PT9914700	1911001	BN 82428 / KA 40x20	----	PTcross rec. rais. ch. h.



Page/of	Product	Serial No.	Date
14 / 15	CombBind C400e USA 20Sh	RGP0001-	July 2005

Pos.	New Part No.	Old Part No.	Notes	Pre-Assemble Set	Description
1	7703770	7703770	----	----	CombBind C400e 115 V USA 20Sh
2	PT8836010	7703580	----	----	Foam end cap (left)
3	PT8836010	7703580	----	----	Foam end cap (right)
4	PT8803400	----	----	----	Dust bag
5	PT2404810	----	----	----	Power cord USA
6	PT8850510	7703679	----	----	P400 Brown carton
7	PT8826510	----	----	----	Instruc. manual CombBind C400e 20Sh
8	PT8531310	----	----	----	Warranty card (USA)
9	PT8815510	----	----	----	Packing sheet caution
10	PT8800810	----	----	----	Label CombBind C400e 20Sh
11	PT8882610	----	----	----	Self adh. Nr Combbind C400e 20Sh