



**Ersatzteilkatalog**  
**Spare parts catalogue**  
**Catalogue des pièces détachées**  
**Catálogo de peças**

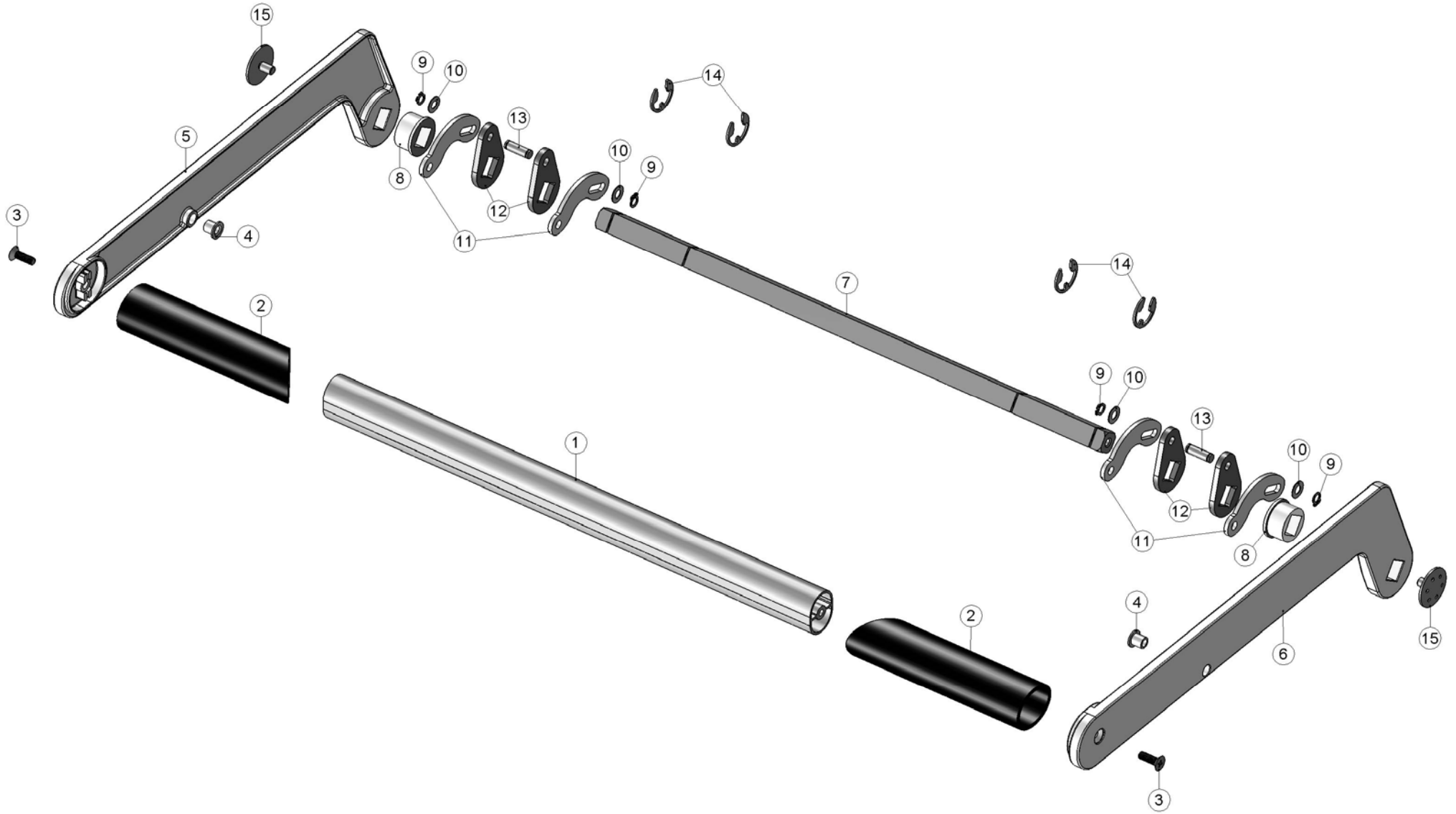
<b>Edition</b>	<b>Serial No.</b>	<b>Date</b>	<b>Name</b>
1	QGP0001-	July 2004	GBC Portuguesa



	<i>Version</i>	<i>Product No.</i>
	CombBind C300	27112

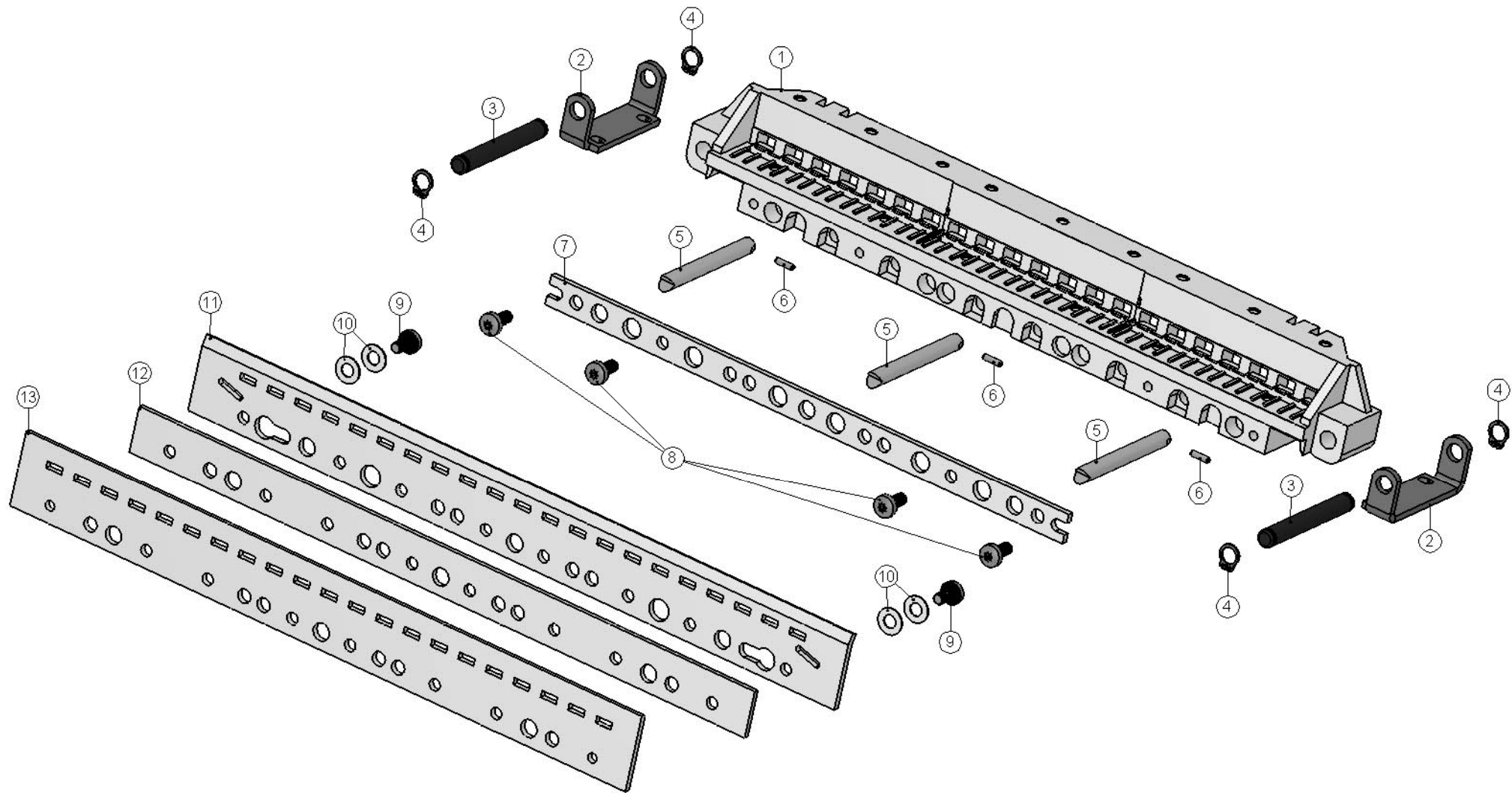


Product CombBind C300	Serial No. QGP0001-	Date July 2004	Page / of 3 / 23
--------------------------	------------------------	-------------------	---------------------



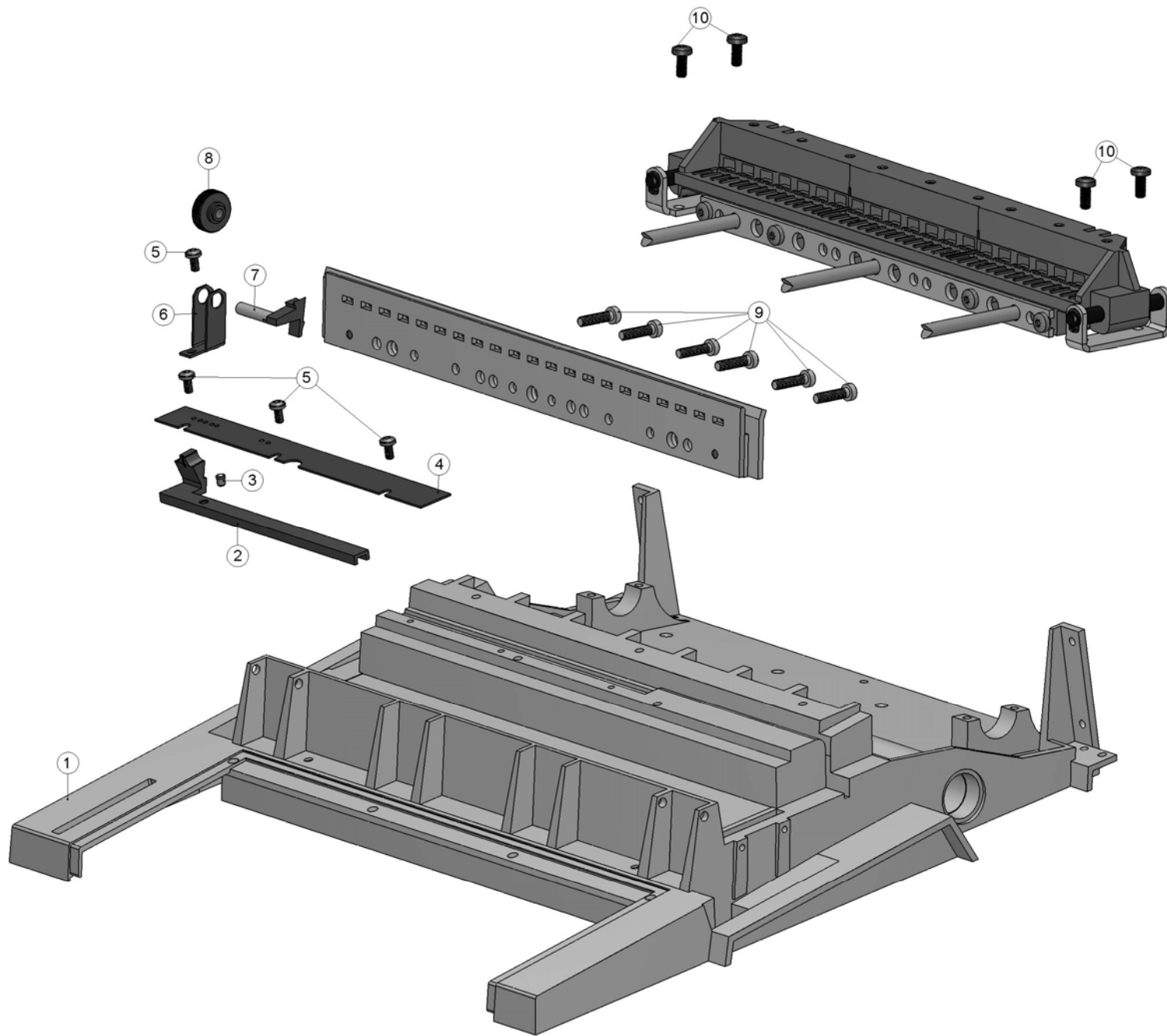
<i>Page/of</i>	<i>Product</i>	<i>Serial No.</i>	<i>Date</i>
4 / 23	CombBind C300	QGP0001-	July 2004

<b>Pos.</b>	<b>Part No.</b>	<b>Notes</b>	<b>Description</b>
1	PT2553745	-----	Handle
2	PT2553810	-----	Handle cover
3	PT9915900	DIN 7500 M ( M5x16 )	Thread roll. count. h. screw
4	PT2563910	-----	Centre bushing D=7
5	PT2561645	-----	Lever left
6	PT2561745	-----	Lever right
7	PT2561890	-----	Drive shaft-punching
8	PT2553510	-----	Bearing bush
9	PT9950000	DIN 471 ( A 6 )	Retaining ring
10	PT9933800	DIN 988 ( 6x12/0.5 )	Shim ring
11	PT2553029	-----	Connecting lever
12	PT2553320	-----	Driving lever
13	PT2553110	-----	Bolt for drive punching
14	PT9951100	DIN 6799 ( A12 )	E-clip
15	PT2561410	-----	Cover for lever



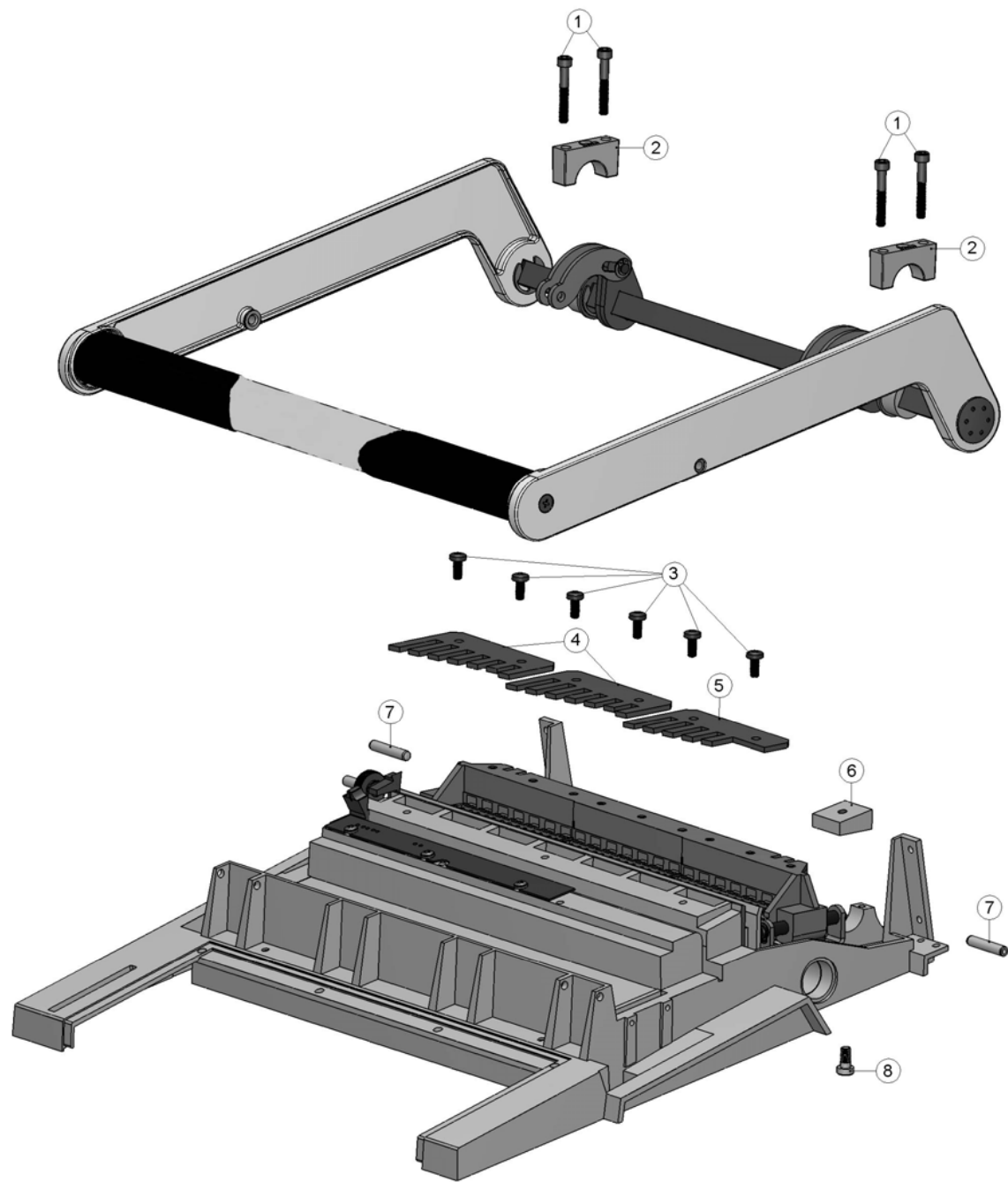
Page/of	Product	Serial No.	Date
6 / 23	CombBind C300	QGP0001-	July 2004

<b>Pos.</b>	<b>Part No.</b>	<b>Notes</b>	<b>Description</b>
1	PT2551310	-----	Support
2	PT2552429	-----	Guiding angle
3	PT2552529	-----	Guiding round
4	PT9950200	DIN 471 ( A8 )	Retaining ring
5	PT2555310	-----	Hole puncher D=7,0 US
6	PT9965200	DIN 8750 ( 2.5x9 )	Spiral pin
7	PT2555529	-----	Hold up for hole puncher
8	PT9904600	DIN 7500 C ( M5x12 )	Self drilling torx screw
9	PT9912700	DIN 7500 C ( M5x10 )	Self drilling torx screw
10	PT9933800	DIN 988 ( 6x12/0.5 )	Shim ring
11	PT2552720	-----	Stripping device
12	PT2559129	-----	Distance plate
13	PT2552929	-----	Matrix



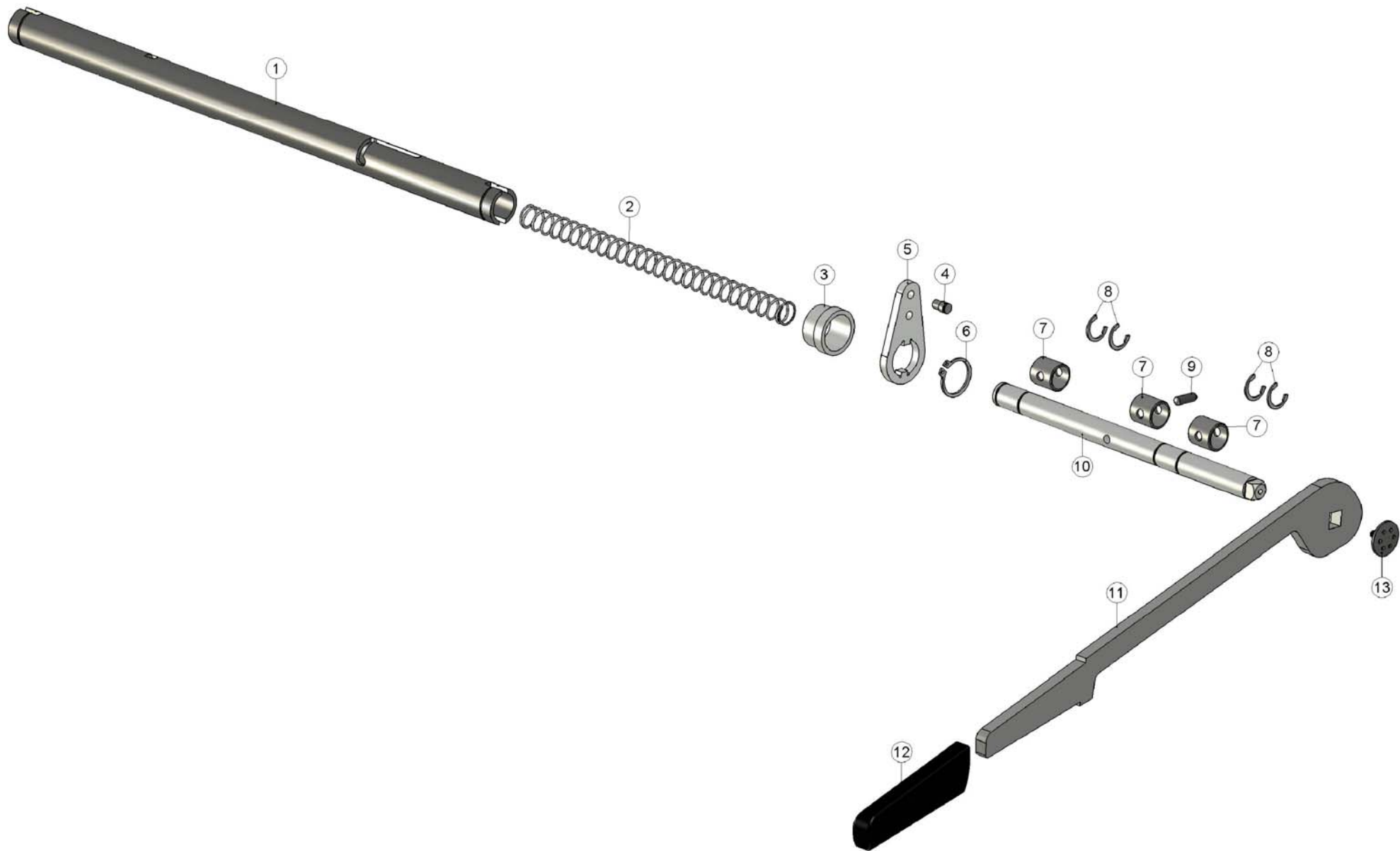
<i>Page/of</i>	<i>Product</i>	<i>Serial No.</i>	<i>Date</i>
8 / 23	CombBind C300	QGP0001-	July 2004

<b>Pos.</b>	<b>Part No.</b>	<b>Notes</b>	<b>Description</b>
1	PT2553254	-----	Housing bottom 300 (EURO/US)
2	PT2555110	-----	Side stop punch cpl.
3	PT99720	HWN 208 N4	Pressure spring
4	PT2560820	-----	Raster sheet metal f. side stop
5	PT9905800	DIN 7500 C ( M4x8 )	Self drilling torx screw
6	PT2554129	-----	Holder for side stop
7	PT2554210	-----	Circular slide
8	PT2554410	-----	Regulator
9	PT9915600	DIN 6912 ( M5x20 )	Hex. socket cap screw w. low h.
10	PT9904600	DIN 7500 C ( M5x12 )	Self drilling torx screw



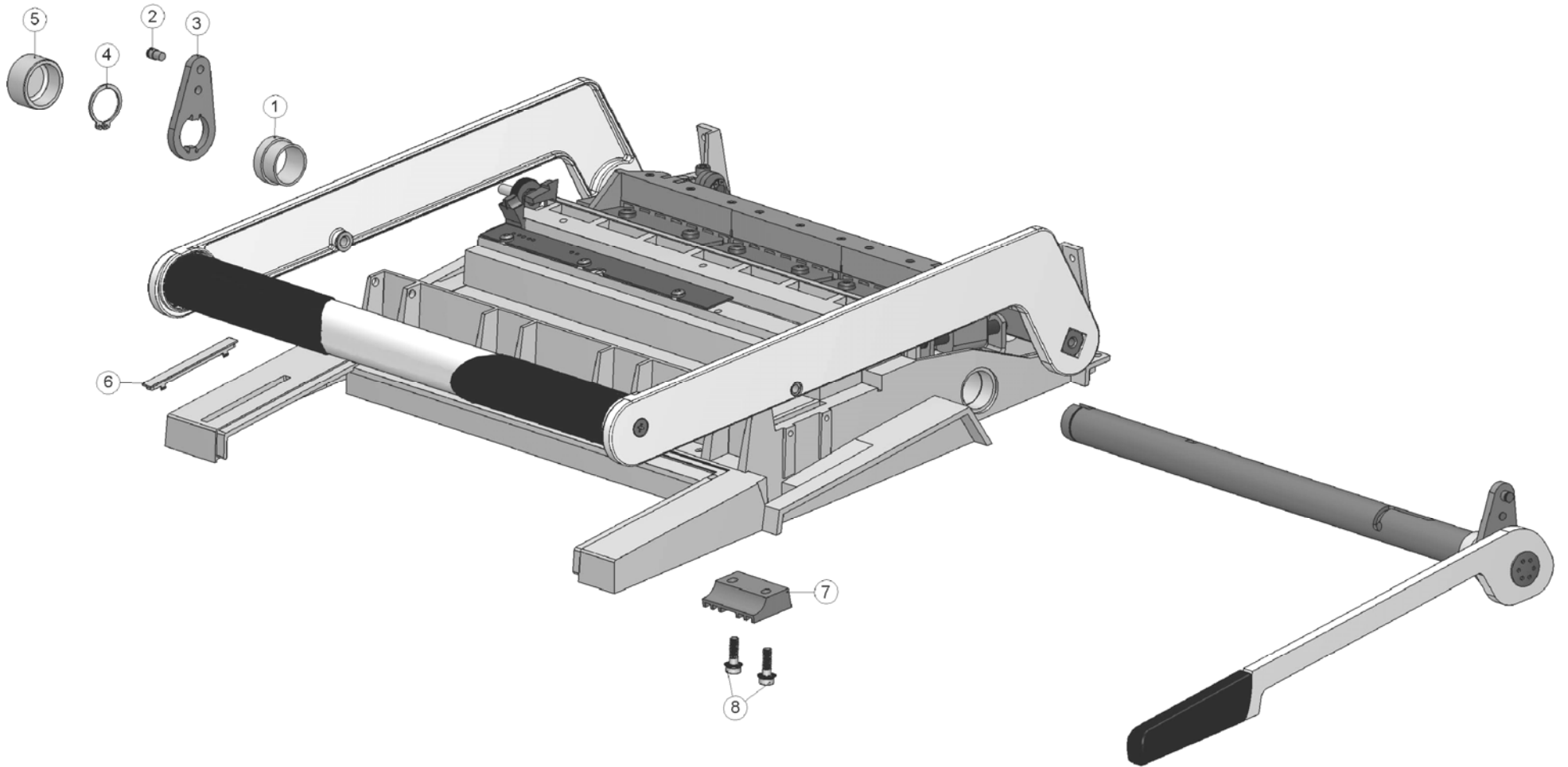
<i>Page/of</i>	<i>Product</i>	<i>Serial No.</i>	<i>Date</i>
10 / 23	CombBind C300	QGP0001-	July 2004

<b>Pos.</b>	<b>Part No.</b>	<b>Notes</b>	<b>Description</b>
1	PT9900600	DIN 912 8.8 ( M5x35 )	Hex. socket head cap screw
2	PT2553910	-----	Bearing shell
3	PT9904600	DIN 7500 C ( M5x12 )	Self drilling torx screw
4	PT2559020	-----	Punching knife segment
5	PT2558929	-----	Punching knife segment US basic
6	PT2563510	-----	Stop back for punch. Lever
7	PT9965100	DIN 7979 D ( 6x32 )	Parallel pin, form
8	PT9909100	DIN 6910 ( 6x12 )	Hex. socket head cap screw



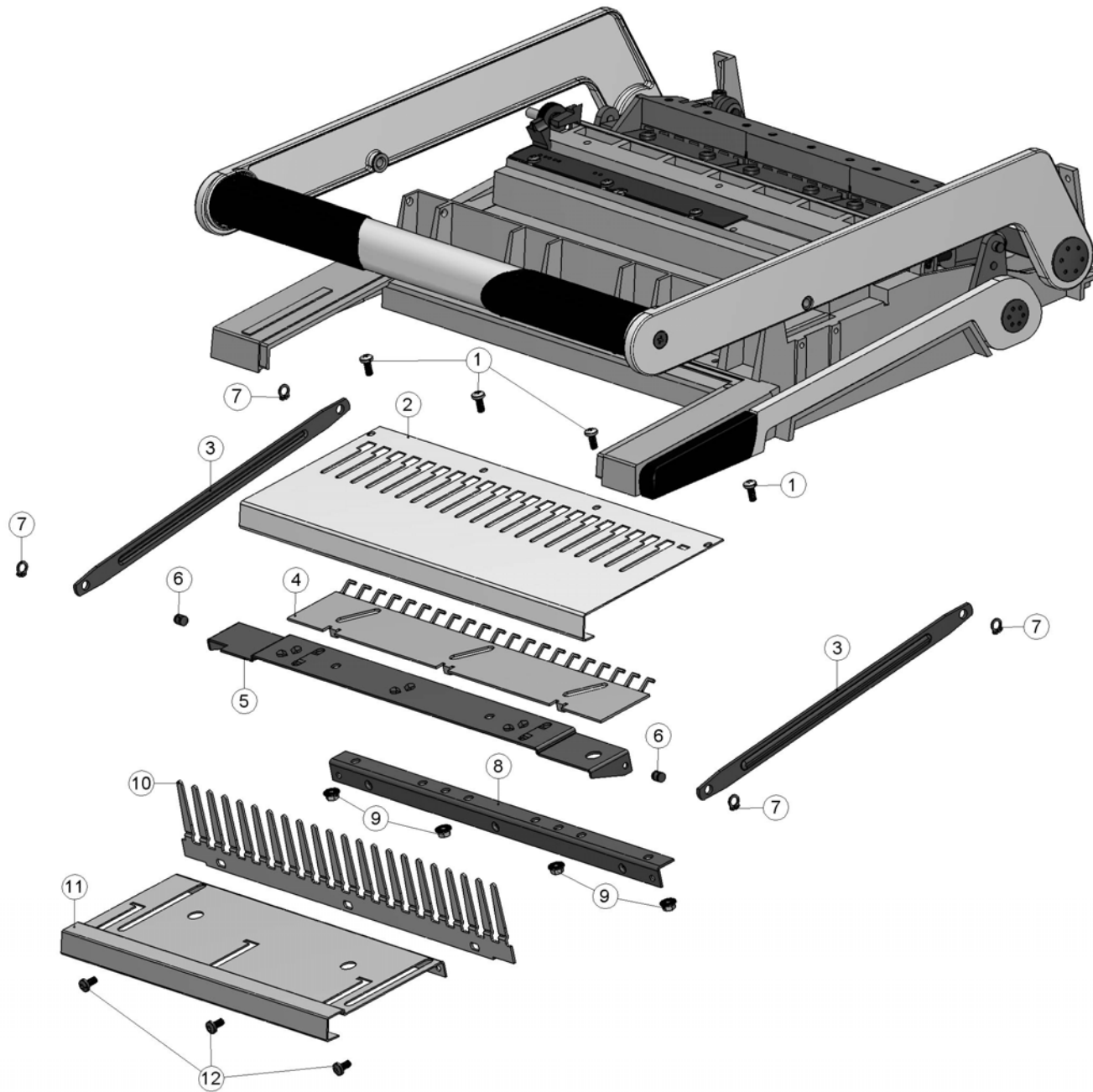
<b>Page/of</b>	<b>Product</b>	<b>Serial No.</b>	<b>Date</b>
12 / 23	CombBind C300	QGP0001-	July 2004

<b>Pos.</b>	<b>Part No.</b>	<b>Notes</b>	<b>Description</b>
1	PT2555620	-----	Pipe
2	PT2565000	D-179 J-05	Pressure spring
3	PT2555710	-----	Bearing bush
4	PT2562110	-----	Bolt for lever
5	PT2556420	-----	Lever
6	PT9950600	DIN 471 ( A22 )	Retaining ring
7	PT2556310	-----	Bushing f. drive binding mech.
8	PT9952500	BN 831 ( H14 )	Halfmoon-shaped ret. ring
9	PT9963000	DIN 6325 ( 5x16 )	Parallel pin
10	PT2556210	-----	Shaft for binding mechanism
11	PT2556010	-----	Binding lever
12	PT2556110	-----	Handle for binding lever
13	PT2561310	-----	Cover



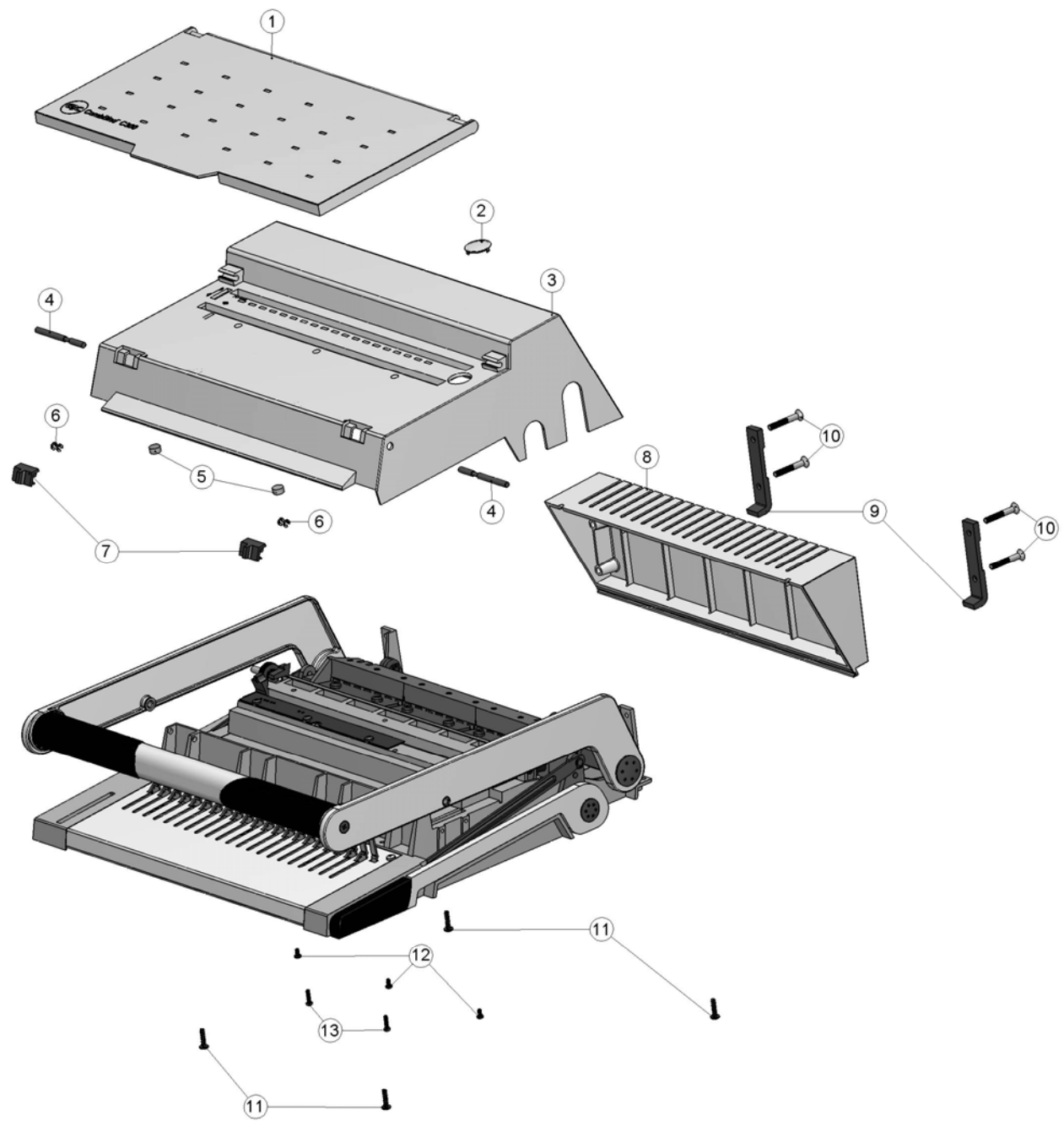
<b>Page/of</b>	<b>Product</b>	<b>Serial No.</b>	<b>Date</b>
14 / 23	CombBind C300	QGP0001-	July 2004

<b>Pos.</b>	<b>Part No.</b>	<b>Notes</b>	<b>Description</b>
1	PT2555710	-----	Bearing bush
2	PT2562110	-----	Bolt for lever
3	PT2556420	-----	Lever
4	PT9950600	DIN 471 ( A22 )	Retaining ring
5	PT2563110	-----	Side strip
6	PT2562929	-----	Cover for pre-regulation
7	PT2563210	-----	Brake-binding –mechanis
8	PT9906400	BN 3873 ( M5x16 )	Safety-sc. w. Inbus ripp



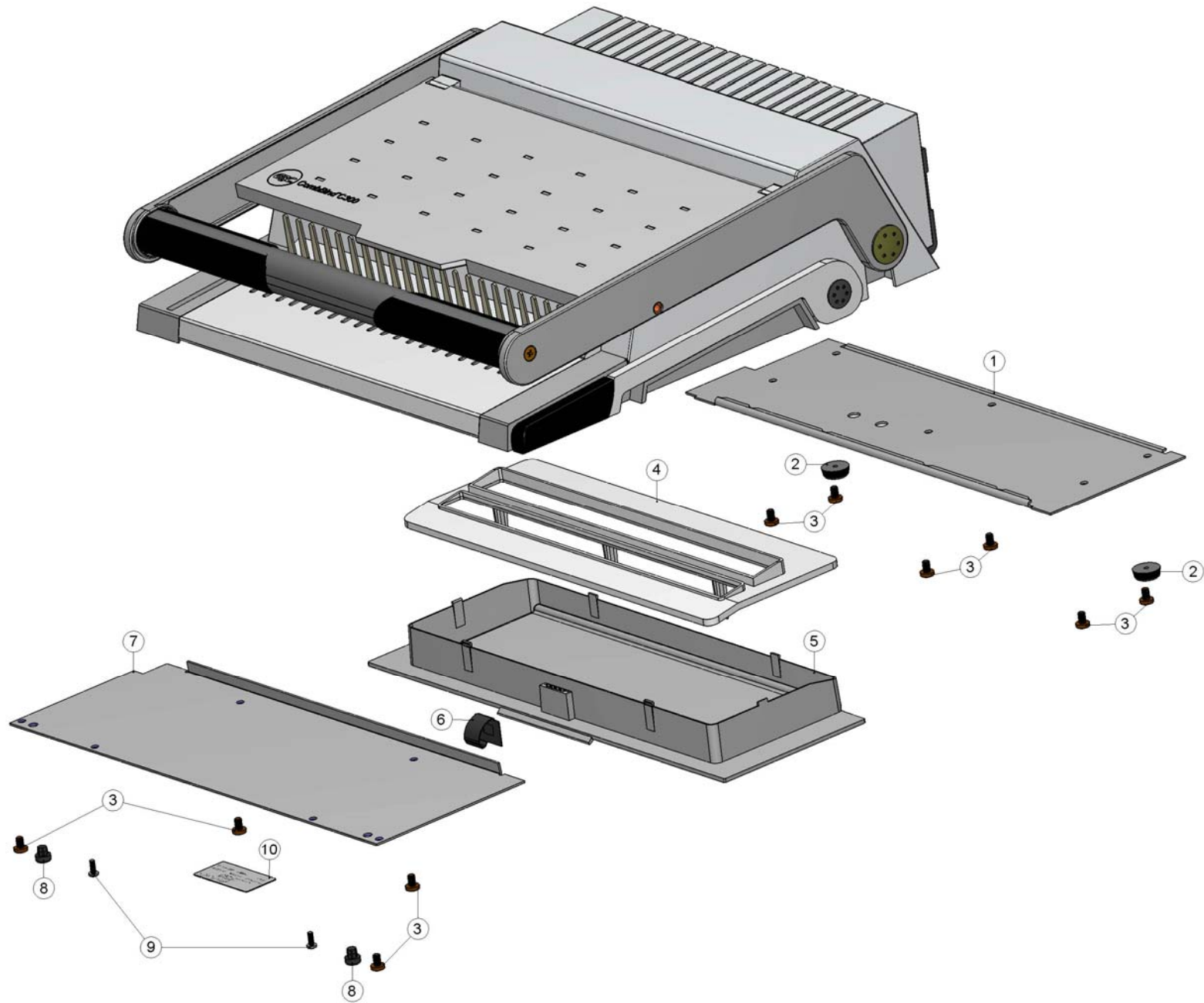
<b>Page/of</b>	<b>Product</b>	<b>Serial No.</b>	<b>Date</b>
16 / 23	CombBind C300	QGP0001-	July 2004

<b>Pos.</b>	<b>Part No.</b>	<b>Notes</b>	<b>Description</b>
1	PT9915800	BN 381 ( M4x10 )	Hex.soc.cross rec. screw
2	PT2557920	-----	Cover plate
3	PT2558629	-----	Rod for pushing
4	PT2230320	-----	Slide 21
5	PT2558020	-----	Carrier
6	PT2562300	-----	Bolt for carrier
7	PT9950000	DIN 471 ( A 6 )	Retaining ring
8	PT2231120	-----	Bracket
9	PT9921700	BN 2798 ( M4 )	Hexagon stop tooth nut
10	PT2231020	-----	Comb 21
11	PT2558129	-----	Guiding sheet metal
12	PT9905800	DIN 7500 C ( M4x8 )	Self drilling torx screw



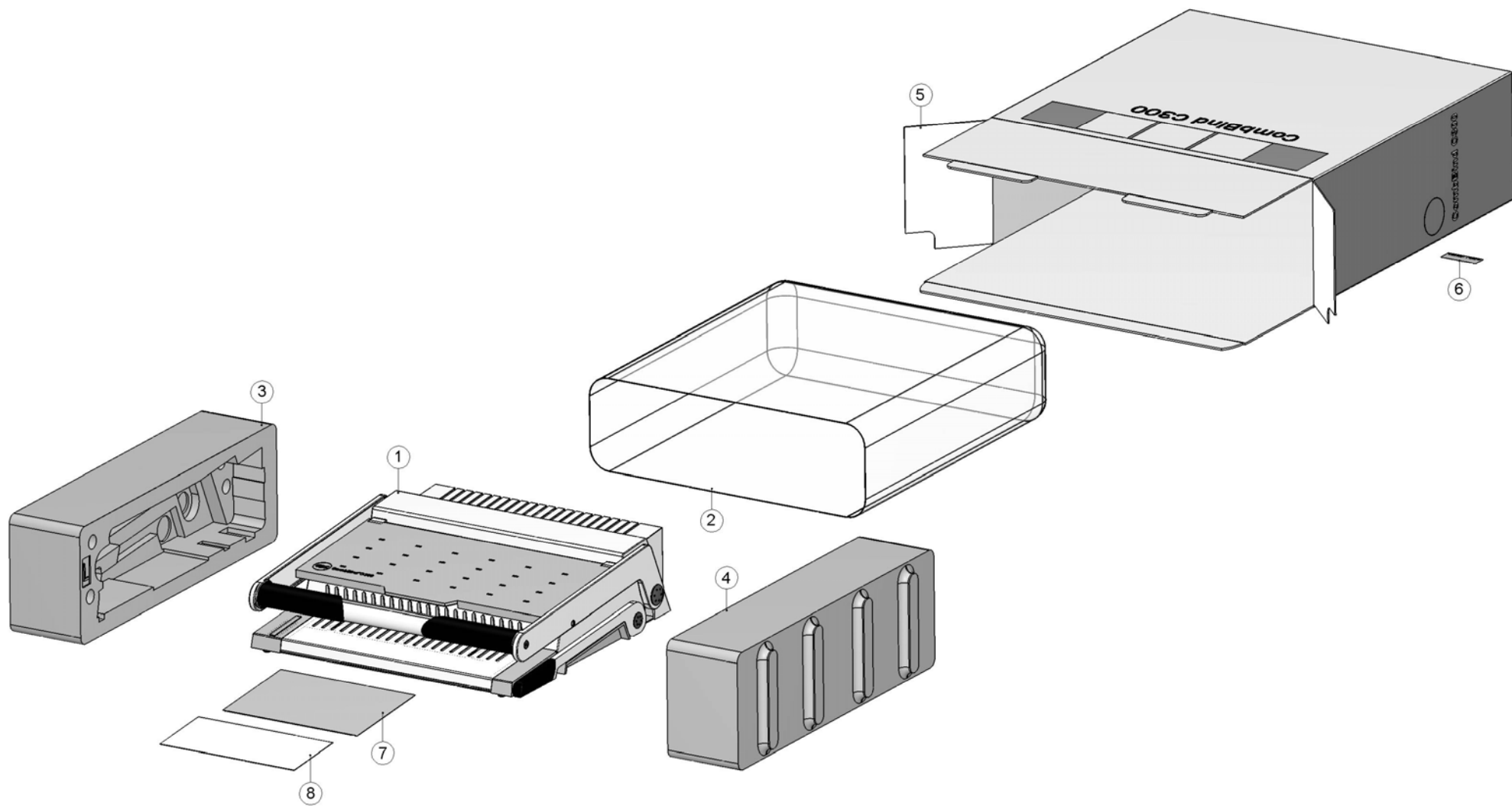
<i>Page/of</i>	<i>Product</i>	<i>Serial No.</i>	<i>Date</i>
18 / 23	CombBind C300	QGP0001-	July 2004

<b>Pos.</b>	<b>Part No.</b>	<b>Notes</b>	<b>Description</b>
1	PT1551170	-----	Cover cpl. CombBind C300
2	PT2562710	-----	Cover for bracketing
3	PT2564470	-----	Housing top basic US version
4	PT2561510	-----	Pin for bolt
5	PT2566010	-----	Metalkernel
6	PT9950800	DIN 6799	Retaining washer, loose 3,2
7	PT2551110	-----	Slide f. bolt
8	PT2550610	-----	Back cover
9	PT2560510	-----	Unwind stirrup
10	PT9915400	DIN 965 A ( M5x35 )	Cross rec.count.head sc.
11	PT9910200	BN 82428 ( KA 40x16 )	PT cross rec.raised.ch.h.
12	PT9916000	BN 82428 ( KA 30x6 )	PT-raised cheese h.sc.
13	PT9916400	BN 82428 ( KA 30x12 )	PT-raised ch.head scr.



<b>Page/of</b>	<b>Product</b>	<b>Serial No.</b>	<b>Date</b>
20 / 23	CombBind C300	QGP0001-	July 2004

<b>Pos.</b>	<b>Part No.</b>	<b>Notes</b>	<b>Description</b>
1	PT2560620	-----	Bottom plate back
2	PT2218210	-----	Rubber foot
3	PT9905400	DIN 7500 C ( M5x8 )	Self drilling torx screw
4	PT2560310	-----	Dust bag housing top
5	PT2550210	-----	Dust bag bottom
6	PT2550310	-----	Stop for dust bag
7	PT2550120	-----	Bottom plate front
8	PT2531910	-----	Foot
9	PT9907500	DIN 7504 N ( 3.5x 9.5 )	Self-dril.rais.ch.h.s.
10	PT2582510	-----	Type label CombBind C300



<i>Page/of</i>	<i>Product</i>	<i>Serial No.</i>	<i>Date</i>
22 / 23	CombBind C300	QGP0001-	July 2004

<b>Pos.</b>	<b>Part No.</b>	<b>Notes</b>	<b>Description</b>
1	27112	----	CombBind C300
2	PT8803400	----	Dust bag
3	PT8550110	----	Foam end cap (left)
4	PT8550110	----	Foam end cap (right)
5	PT8365510	----	Printed box CombBind C300
6	PT8360310	----	UPC code/SN CombBind C300
7	PT8551610	----	Operating manual CombBind C300
8	PT8815510	----	Packing sheet caution