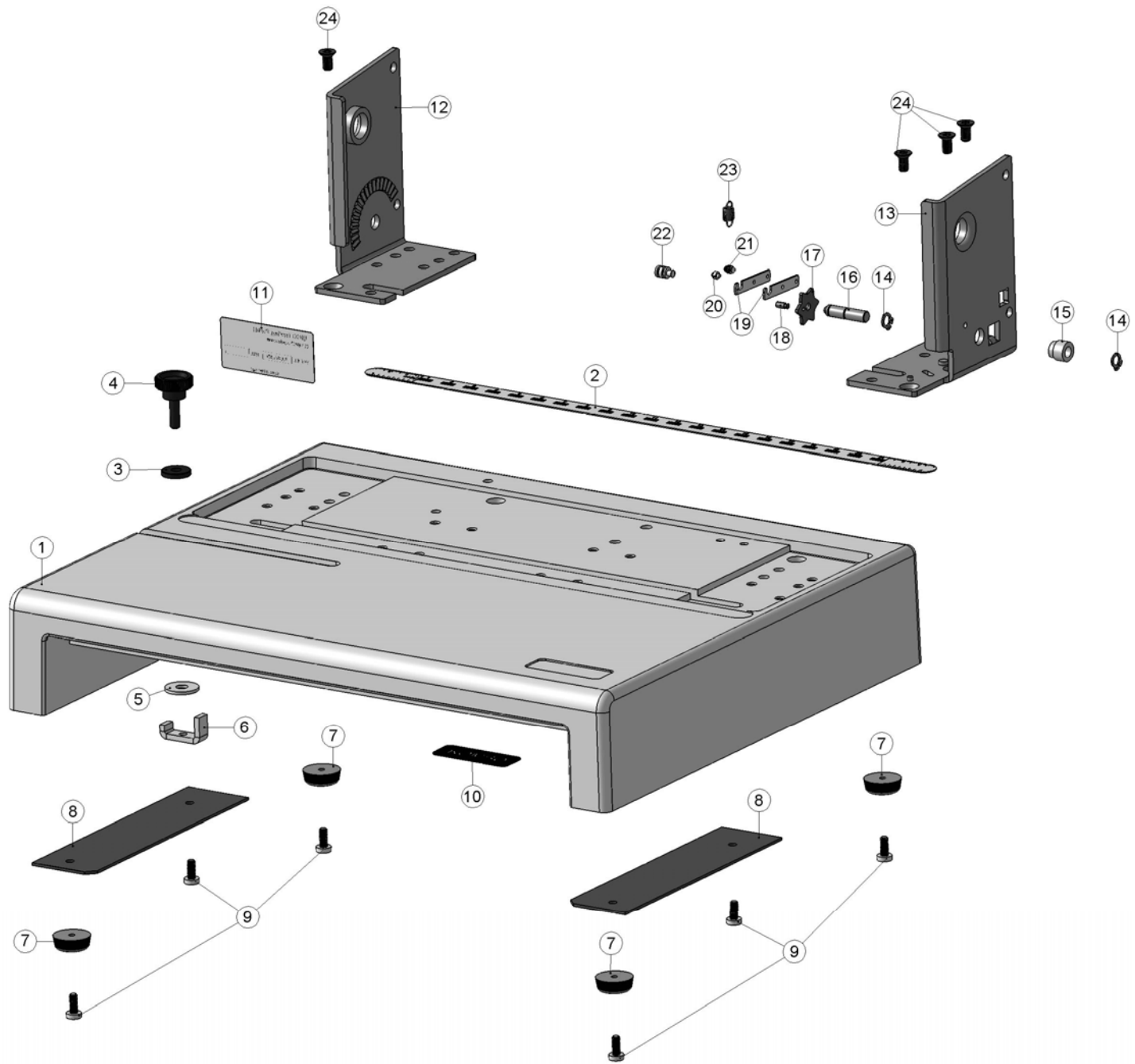


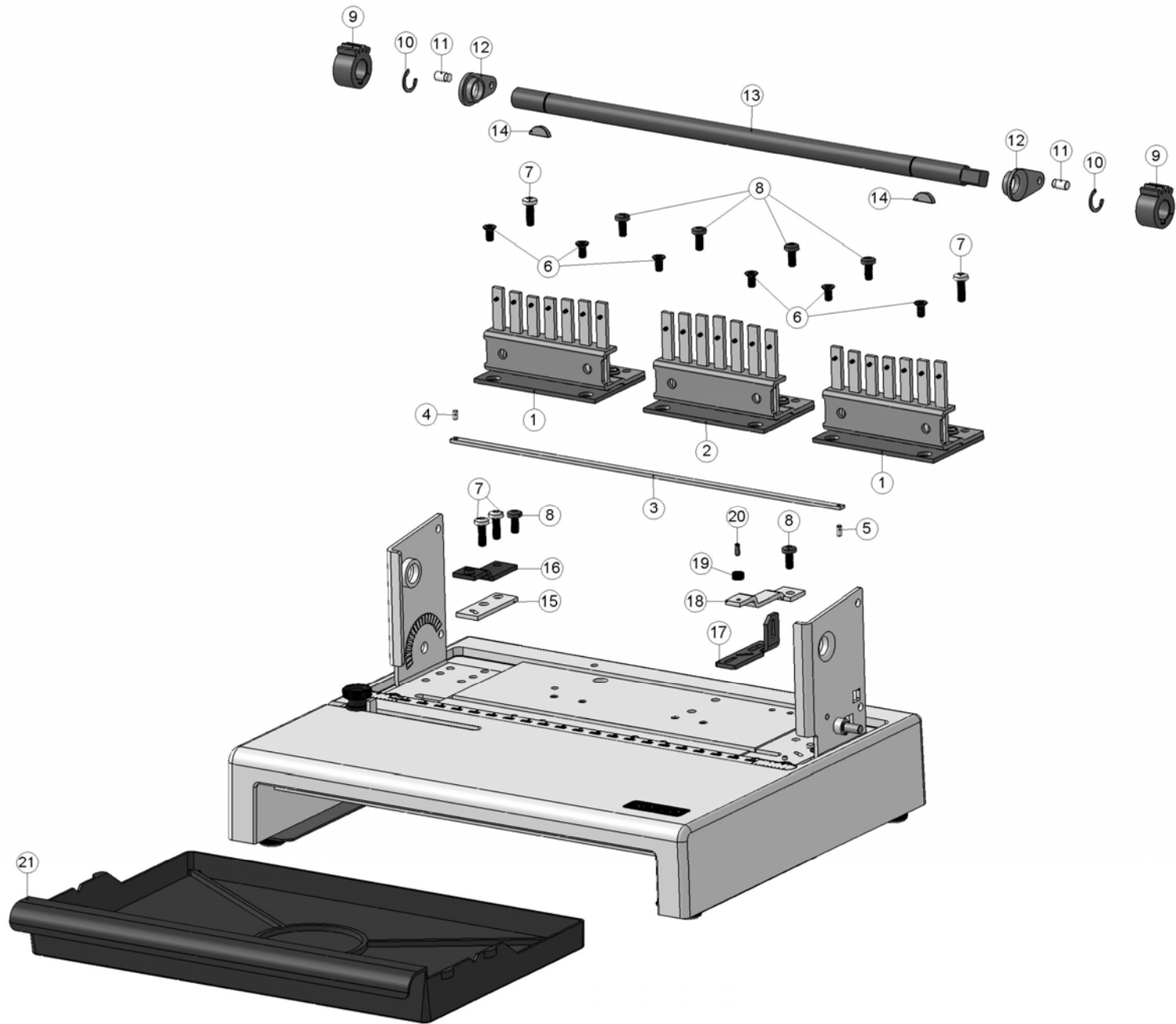
itzteilkatalog  
Spare parts catalogue  
Catalogue des pièces détachées  
Catálogo de peças

<b>Edition</b>	<b>Serial No.</b>	<b>Date</b>	<b>Name</b>
1	QFP0001-	June 2004	GBC Portuguesa



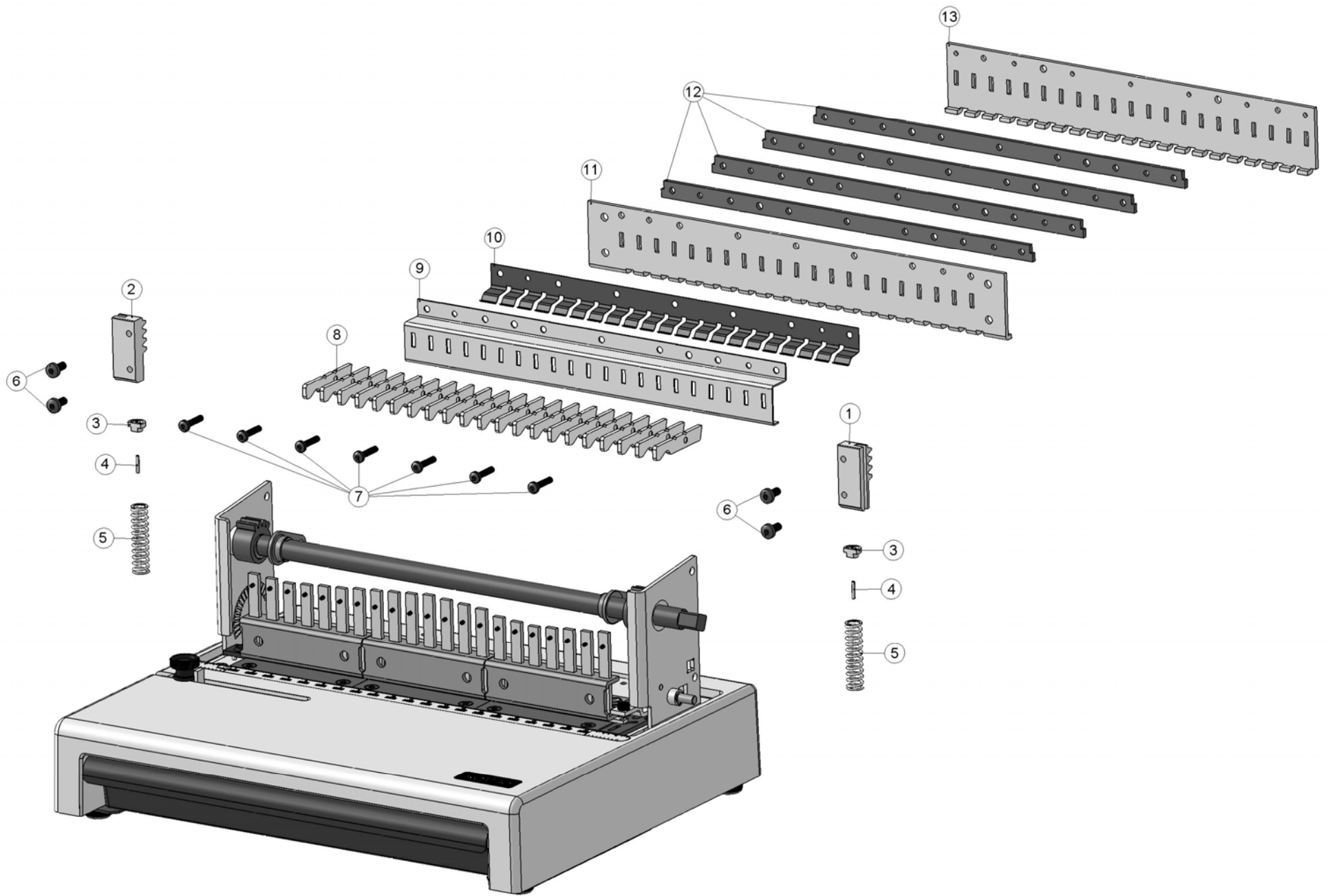
<i>Page/of</i>	<i>Product</i>	<i>Serial No.</i>	<i>Date</i>
4 / 15	CombBind C250 USA	QFP0001-	June 2004

<i>Pos.</i>	<i>New Part No.</i>	<i>Old Part No.</i>	<i>Notes</i>	<i>Pre-Assemble Set</i>	<i>Description</i>
1	PT2230010	----	----	----	Chassis
2	PT2211510	----	----	----	Scale 21 USA (PB21)
3	PT2216110	----	----	----	Washer
4	PT2215910	----	----	----	Adjusting screw
5	PT9930300	----	DIN 9021 A ( M6 )	----	Washer
6	PT2216029	----	----	----	Stop
7	PT2218210	----	----	----	Rubber foot
8	PT2232020	----	----	----	Drawer guide
9	PT9913700	----	DIN 7500 C ( M4x10 )	----	Duo-taptite screw w. ch. h.
10	PT2206110	----	----	----	Logotype CombBind C250
11	PT2582310	----	----	----	Type label CombBind C250
12	PT2209629	----	----	----	Bearing bracket , left
13	PT2209729	----	----	----	Bearing bracket , right
14	PT9950000	----	DIN 471 ( A6 )	----	Retaining ring
15	PT2214510	----	----	----	Bearing
16	PT2214110	----	----	1-1150.29	Stop axle 24
17	PT22148	----	----	1-1150.29	Stop wheel
18	PT2215010	----	----	1-1150.29	Carrier bolt
19	PT2214229	----	----	1-1141.90	Stop lever
20	PT2214310	----	----	1-1141.90	Roll
21	PT2214410	----	----	1-1141.90	Rivet roll
22	PT2212310	----	----	----	Bolt
23	PT2215510	----	----	----	Tension spring
24	PT9900700	----	DIN 7500 M ( M5x10 )	----	Torx head screw



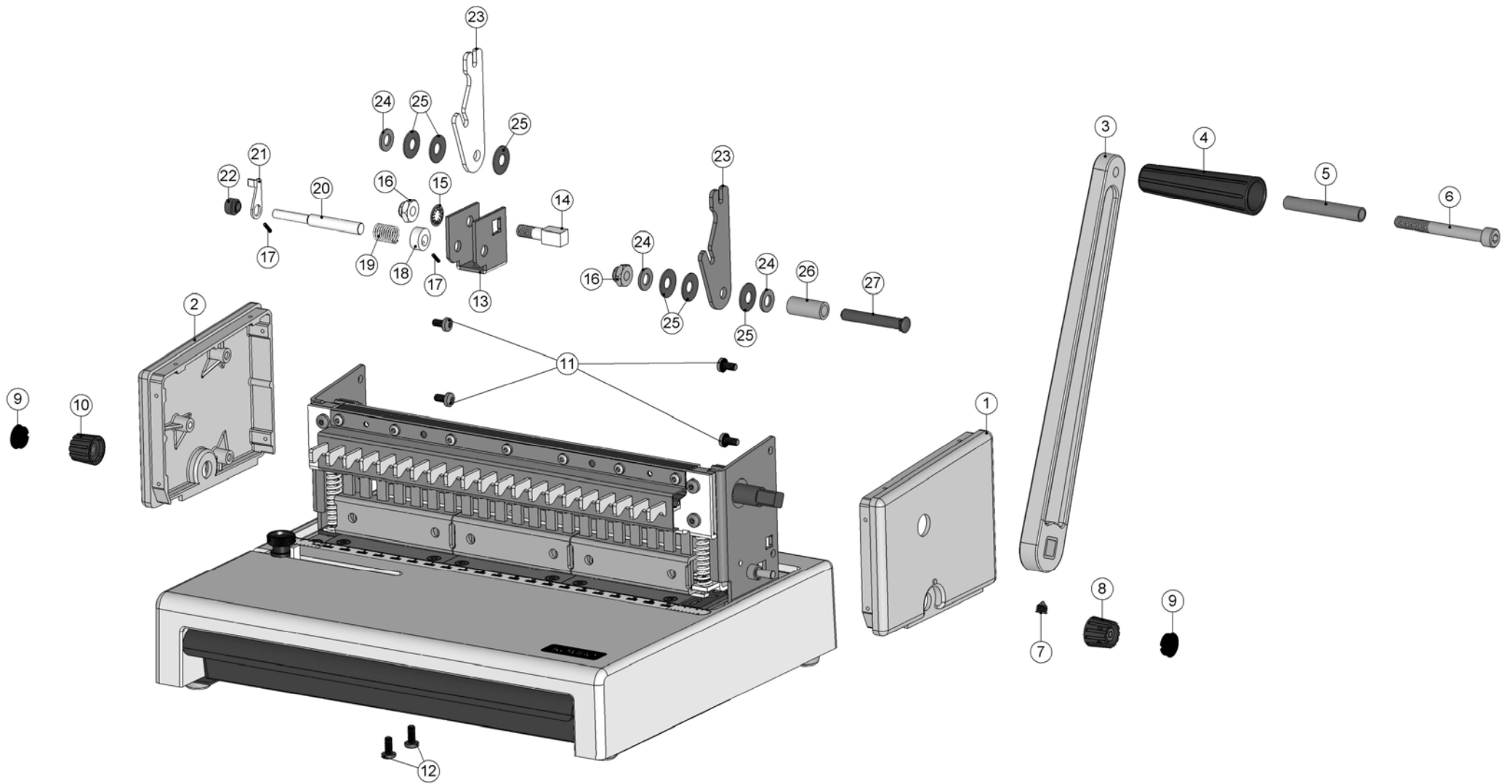
<b>Page/of</b>	<b>Product</b>	<b>Serial No.</b>	<b>Date</b>
6 / 15	CombBind C250 USA	QFP0001-	June 2004





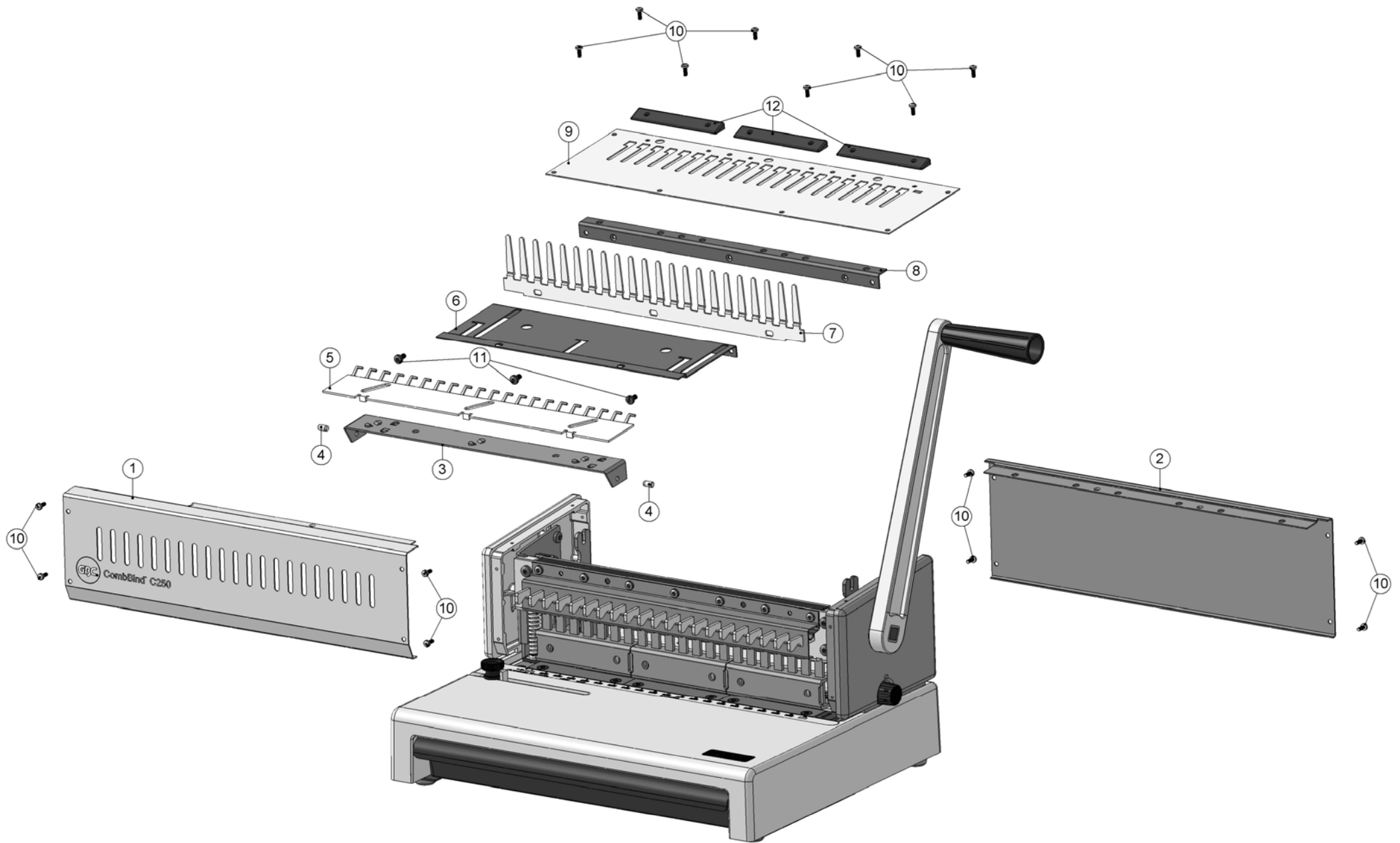
Page/of	Product	Serial No.	Date
8 / 15	CombBind C250 USA	QFP0001-	June 2004

<i>Pos.</i>	<i>New Part No.</i>	<i>Old Part No.</i>	<i>Notes</i>	<i>Pre-Assemble Set</i>	<i>Description</i>
1	PT2213429	----	----	----	Toothed rack, right
2	PT2213529	----	----	----	Toothed rack, left
3	PT2213710	----	----	----	Spring guide, stop
4	PT9961200	----	DIN 7343 ( 2x12 )	----	Spiral pin
5	PT2213610	----	----	----	Pressure spring
6	PT9912700	----	DIN 7500 C ( M5x10 )	----	Self drilling torx screw
7	PT9906500	----	DIN 7500 C ( M4x20 )	----	Self drilling torx screw
8	PT2213320	----	----	----	Slide
9	PT2213020	----	----	----	Guide
10	PT2213220	----	----	----	Spring
11	PT2212820	----	----	----	Bracket front
12	PT2213129	----	----	----	Distance plate
13	PT2212920	----	----	----	Bracket back



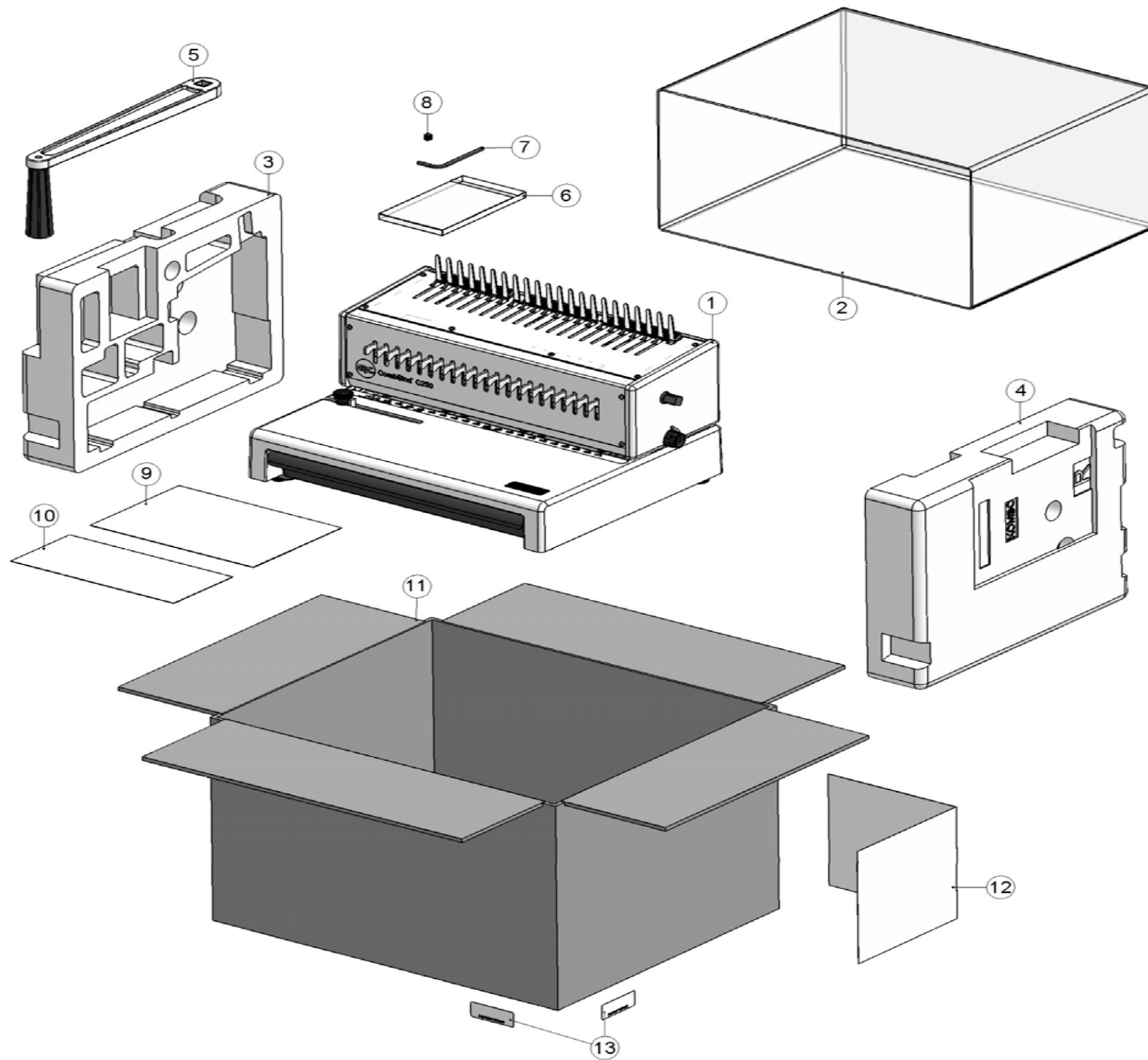
<b>Page/of</b>	<b>Product</b>	<b>Serial No.</b>	<b>Date</b>
10 / 15	CombBind C250 USA	QFP0001-	June 2004





<b>Page/of</b>	<b>Product</b>	<b>Serial No.</b>	<b>Date</b>
12 / 15	CombBind C250 USA	QFP0001-	June 2004





<i>Page/of</i>	<i>Product</i>	<i>Serial No.</i>	<i>Date</i>
14 / 15	CombBind C250 USA	QFP0001-	June 2004

<b>Pos.</b>	<b>New Part No.</b>	<b>Old Part No.</b>	<b>Notes</b>	<b>Pre-Assemble Set</b>	<b>Description</b>
1	27140	----	----	----	CombBind C250 USA
2	PT8803400	----	----	----	Dust bag
3	PT8802310	----	----	----	Pair side padding, left
4	PT8802310	----	----	----	Pair side padding, right
5	<del>PT1132210</del>	----	----	----	Lever cpl.
6	PT8803100	----	----	----	Minicrip bag
7	PT9970000	----	DIN 911 ( SW 4 )	----	Socket wrench
8	PT9903700	----	DIN 913 ( M8x6 )	----	Hex. socket set screw w. cone p
9	PT8359810	----	----	----	Instruction manual CombBind C250
10	PT8815510	----	----	----	Packing sheet caution
11	PT8800910	----	----	----	Outer brown carton
12	PT8801010	----	----	----	Label CombBind C250
13	PT8362010	----	----	----	UPC-code/SN CombBind C250