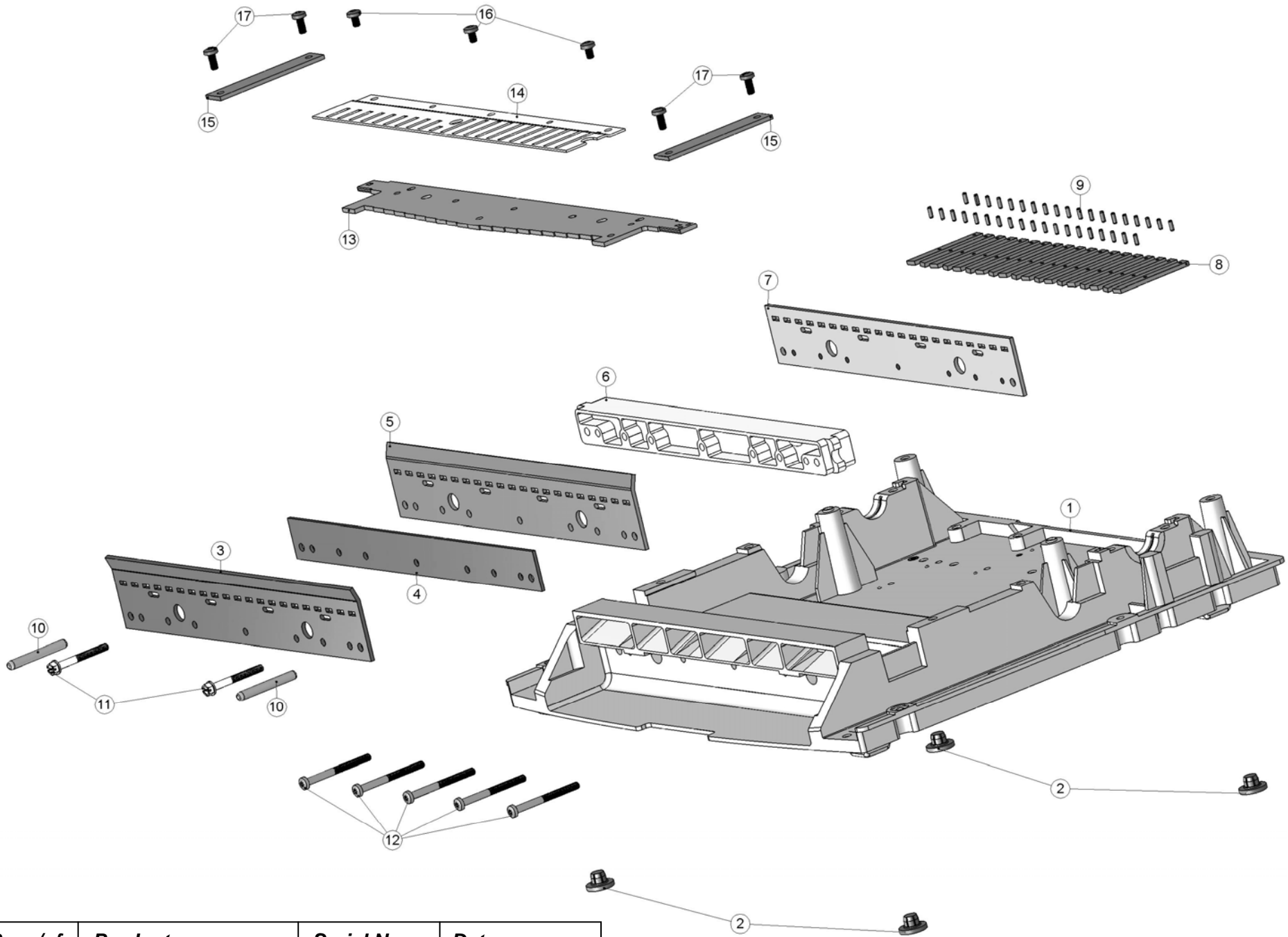


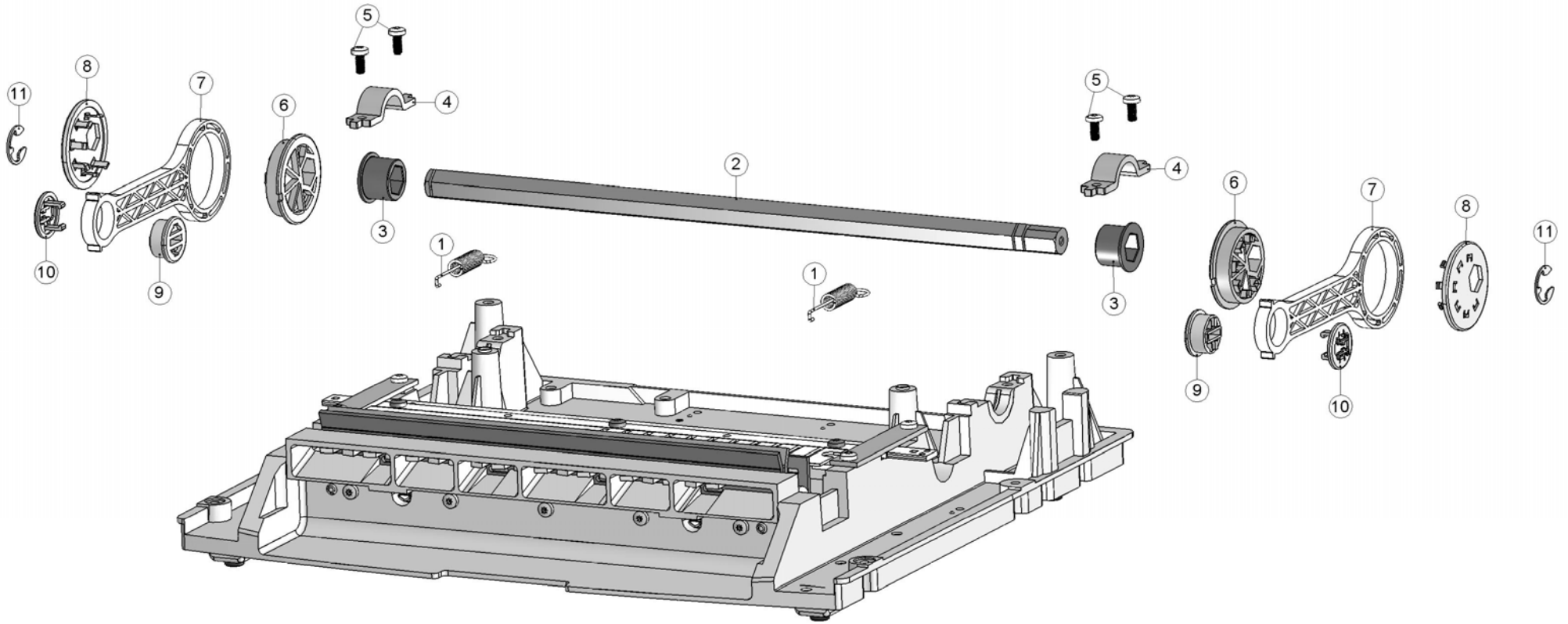
**Ersatzteilkatalog**  
**Spare parts catalogue**  
**Catalogue des pièces détachées**  
**Catálogo de peças**

<b>Edition</b>	<b>Serial No.</b>	<b>Date</b>	<b>Name</b>
1	QEP0200-	July 2004	GBC Portuguesa



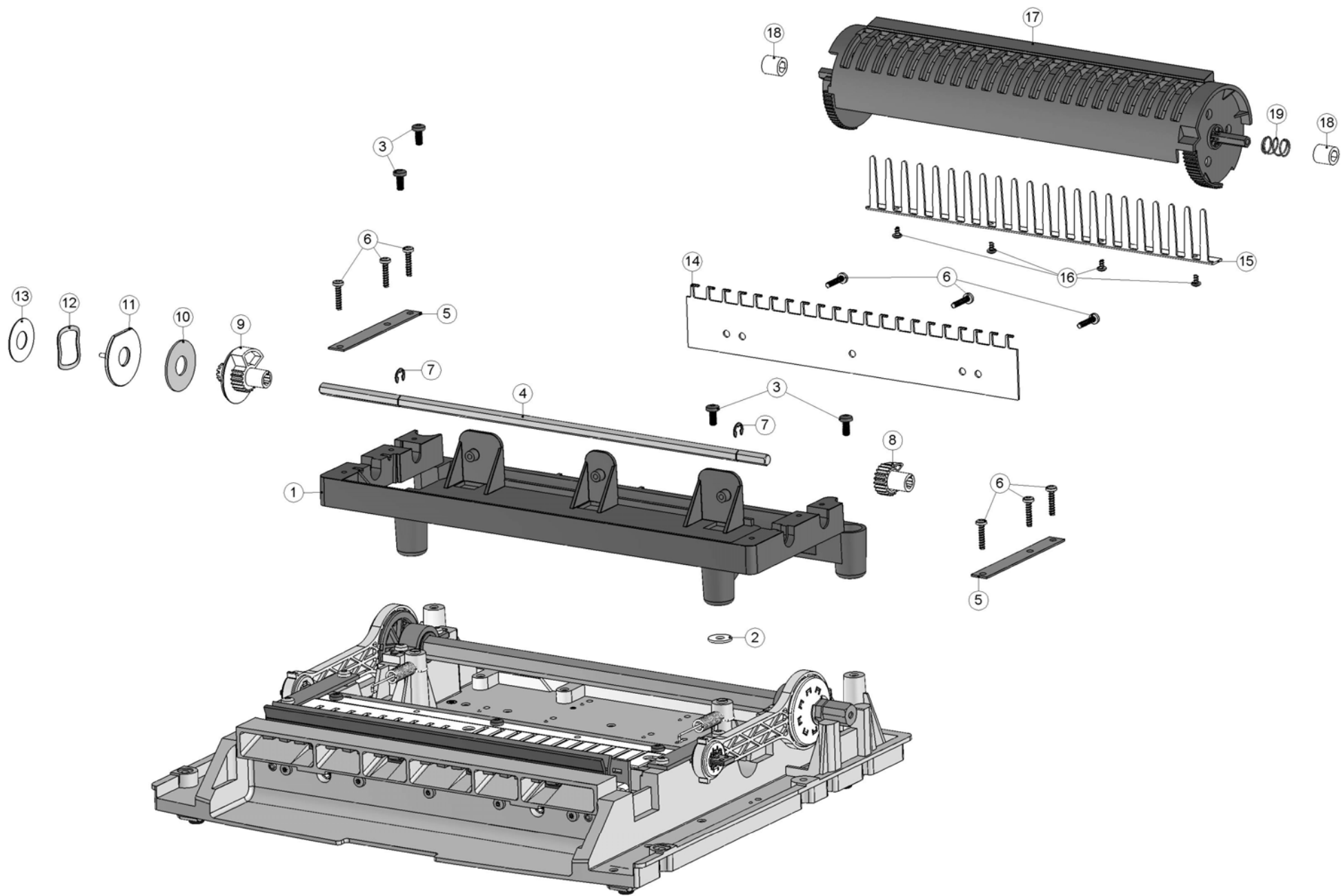
<b>Page/of</b>	<b>Product</b>	<b>Serial No.</b>	<b>Date</b>
4 / 13	CombBind C200 USA	QEP0200-	July 2004

<i>Pos.</i>	<i>New Part No.</i>	<i>Old Part No.</i>	<i>Notes</i>	<i>Pre-Assemble Set</i>	<i>Description</i>
1	PT2800020	7703542	----	----	Base, punch - machined
2	PT2450710	----	----	----	Foot
3	----	7703532	----	1-8006.90	Die plate
4	----	7703553	----	1-8006.90	Lower spaced, manual model
5	----	7703543	----	1-8006.90	Die plate
6	----	7703534	----	1-8006.90	Spacer, upper
7	----	7703539	----	1-8006.90	Die plate
8	----	7703537	----	1-8006.90	Punch pin
9	----	1931508	----	1-8006.90	Pin-spirol
10	PT99660	1954103	----	1-8006.90	Dowel pin 1/4x2.00
11	PT99199	1907410	----	1-8006.90	Scr 10-32x1 Sems HX HD M
12	PT9917510	1907411	DIN 7985	----	Scr 10-32x2 1/4 Sems HX WSH HD
13	PT28008	7703538	----	----	Pressure bar
14	PT28009	7703549	----	----	Stripper
15	PT2801629	----	----	----	Slide
16	PT99054	1907105	DIN 7500C / M5x8	----	Self drilling torx screw
17	PT99046	----	DIN 7500C / M5x12	----	Self drilling torx screw



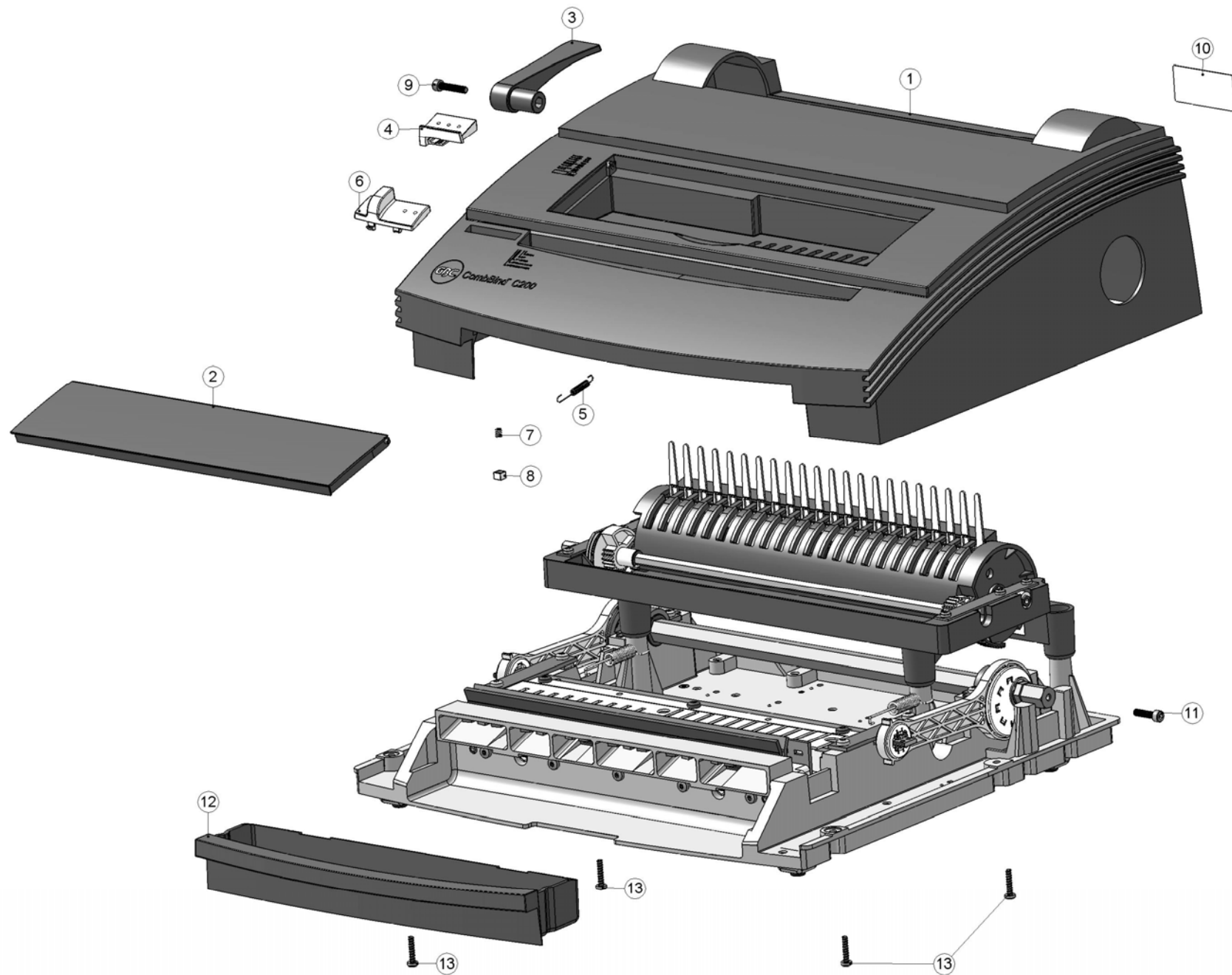
<b>Page/of</b>	<b>Product</b>	<b>Serial No.</b>	<b>Date</b>
6 / 13	CombBind C200 USA	QEP0200-	July 2004

<b>Pos.</b>	<b>New Part No.</b>	<b>Old Part No.</b>	<b>Notes</b>	<b>Pre-Assemble Set</b>	<b>Description</b>
1	PT28018	7703533	----	----	Spring handle
2	PT28003	7703565	----	----	Shaft
3	PT2800510	----	----	----	Bearing
4	PT2800429	----	----	----	Bearing cap
5	PT99046	----	DIN 7500C / M5x12	----	Self drilling torx screw
6	PT28007	7703547	----	1-8004.90	Eccentric
7	PT28006	7703544	----	1-8004.90	Connecting link
8	PT28191	----	----	1-8004.90	Eccentric cap
9	PT28190	----	----	1-8004.90	Press beam bushing
10	PT28192	----	----	1-8004.90	Bushing cap
11	PT9951100	1930554	DIN 6799 / A12	----	E-clip



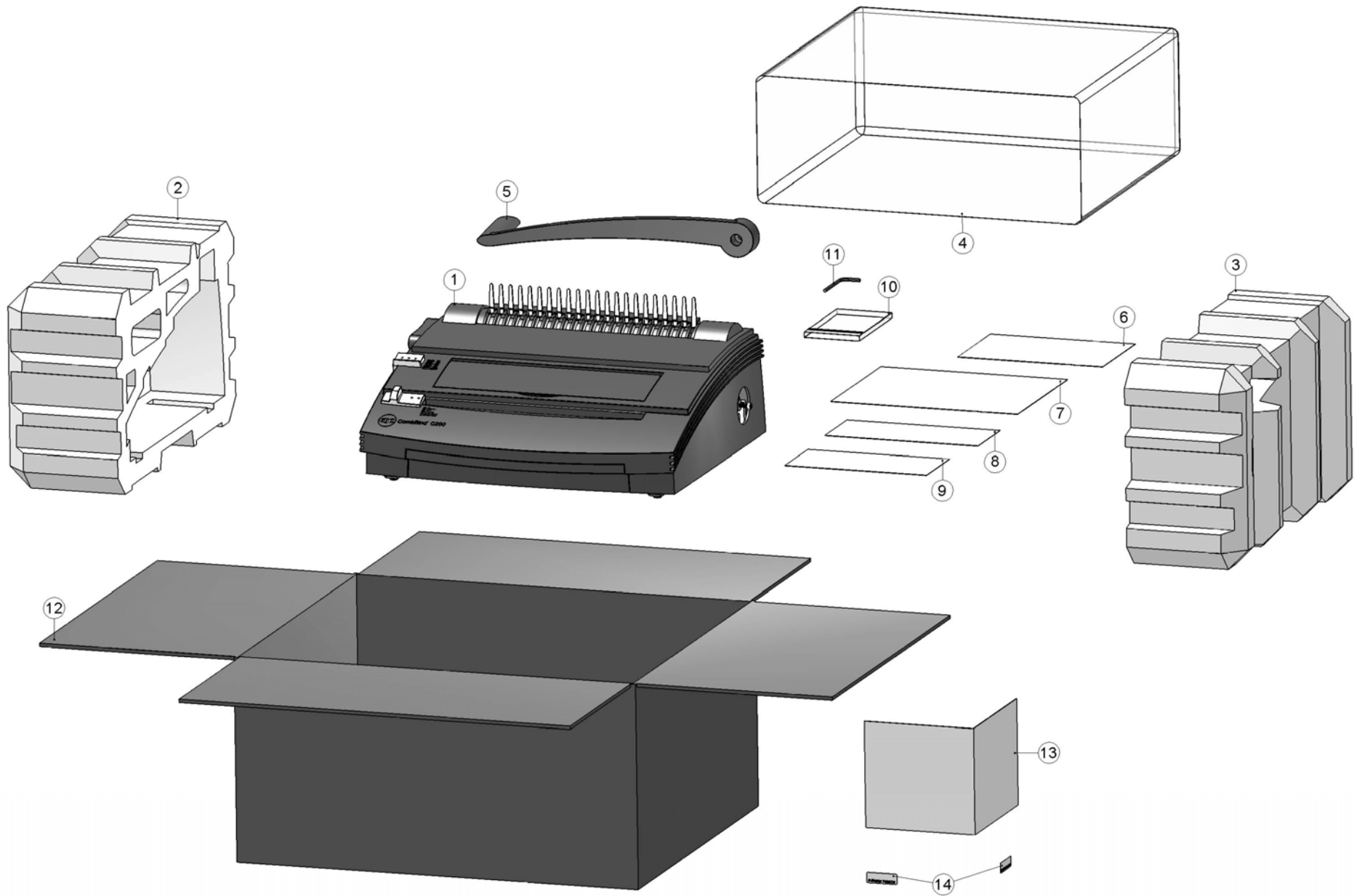
<b>Page/of</b>	<b>Product</b>	<b>Serial No.</b>	<b>Date</b>
8 / 13	CombBind C200 USA	QEP0200-	July 2004

<i>Pos.</i>	<i>New Part No.</i>	<i>Old Part No.</i>	<i>Notes</i>	<i>Pre-Assemble Set</i>	<i>Description</i>
1	PT2806010	7703554	----	----	Bind base
2	PT99303	1925140	DIN 9021 / M6	----	Washer
3	PT99046	1907102	DIN 7500C / M5x12	----	Self drilling torx screw
4	PT2806210	7703558	----	----	Drive gear shaft
5	PT2806929	7703563	----	----	Strap
6	PT9914700	1901206	BN 82428 / KA 40x20	----	PTcross rec. rais. ch. h.
7	PT9953300	1930514	DIN 6799 / A6	----	E-clip
8	PT2806410	7703581	----	----	Idler gear
9	PT2806310	7703556	----	----	Can gear
10	PT2806510	7703566	----	----	Friction disc
11	PT2806610	7703555	----	----	Friction plate
12	PT9942600	1926510	----	----	Wavy washer
13	PT9934100	1925158	----	----	Washer
14	PT2806120	7703557	----	----	Hook plate
15	PT2805820	7703734	----	----	Comb, silver
16	PT9917300	1901202	BN 82428 / KA 82428	----	Pan head eco-syn screw
17	PT2805710	7703560	----	----	Shroud, black ( USA )
18	PT2806710	7703562	----	----	Guide bearing
19	PT2806810	7703629	----	----	Spring, punch switch button



<b>Page/of</b>	<b>Product</b>	<b>Serial No.</b>	<b>Date</b>
10 / 13	CombBind C200 USA	QEP0200-	July 2004

<b>Pos.</b>	<b>New Part No.</b>	<b>Old Part No.</b>	<b>Notes</b>	<b>Pre-Assemble Set</b>	<b>Description</b>
1	PT2807170	7703545	----	----	Housing, black CombBind C200, printed
2	PT2811110	----	----	----	Door, pull pins, black
3	PT2800249	7703536	----	----	Bind handle-painted, black
4	PT2807910	7703573	----	----	Binder sizer, grey
5	PT2808210	7703575	----	----	Spring, binder sizer
6	PT2807710	7703574	----	----	Edge guide, grey
7	PT2808310	7703577	----	----	Spring, edge guide
8	PT2808410	7703578	----	----	Slide, edge guide
9	PT9918900	1907406	M5x25	----	Hex. socket h. cap screw
10	PT2815210	----	----	----	Type label CombBind C200 ( USA )
11	PT9901110	----	DIN 912 / M5x20	----	Hex. socket h. cap screw
12	PT2811210	----	----	----	Chip tray, black
13	PT9914700+	----	BN 82428 / KA 40x20	----	Self drilling torx screw



<i>Page/of</i>	<i>Product</i>	<i>Serial No.</i>	<i>Date</i>
12 / 13	CombBind C200 USA	QEP0200-	July 2004

<b>Pos.</b>	<b>New Part No.</b>	<b>Old Part No.</b>	<b>Notes</b>	<b>Pre-Assemble Set</b>	<b>Description</b>
1	7703500	7703500	----	----	CombBind C200 USA
2	PT8836010	7703580	----	----	Foam end cap (left)
3	PT8836010	7703580	----	----	Foam end cap (right)
4	PT8803400	----	----	----	Dust bag
5	PT2800149	7703535	----	----	Handle, punch - painted, black
6	PT8825110	7703504	----	----	Instruction manual CombBind C200
7	PT8831510	7703505	----	----	Handle installation instruction
8	PT8531310	----	----	----	Warranty card ( USA )
9	PT8815510	----	----	----	Packing sheet caution
10	PT8803100	----	----	----	Minicrip bag
11	PT9970000	----	DIN 911 / SW4	----	Socket wrench
12	PT8850510	7703679	----	----	P400 Brown carton
13	PT8801310	----	----	----	Label CombBind C200
14	PT8883310	----	----	----	Self adh. Nr. CombBind C200