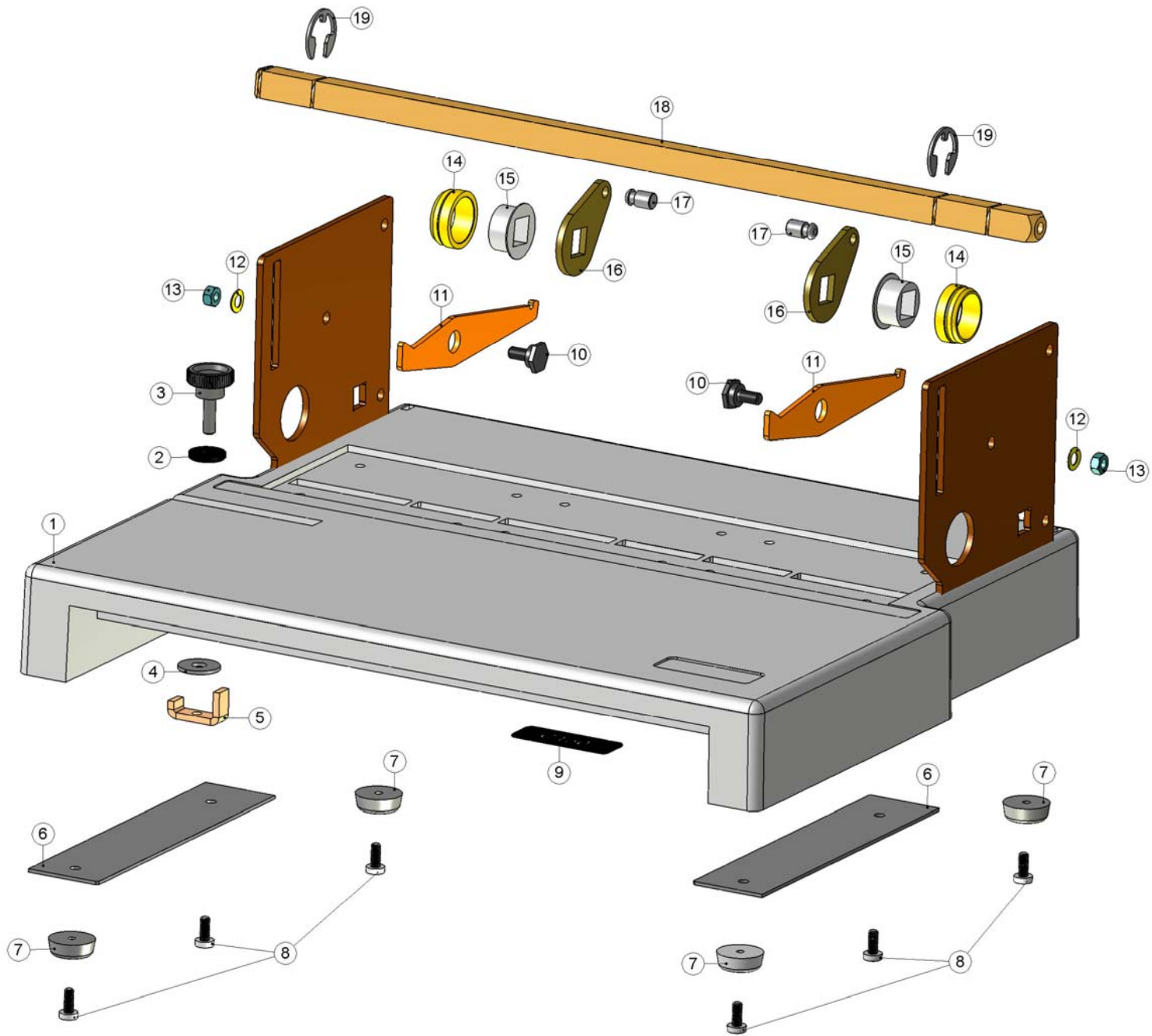


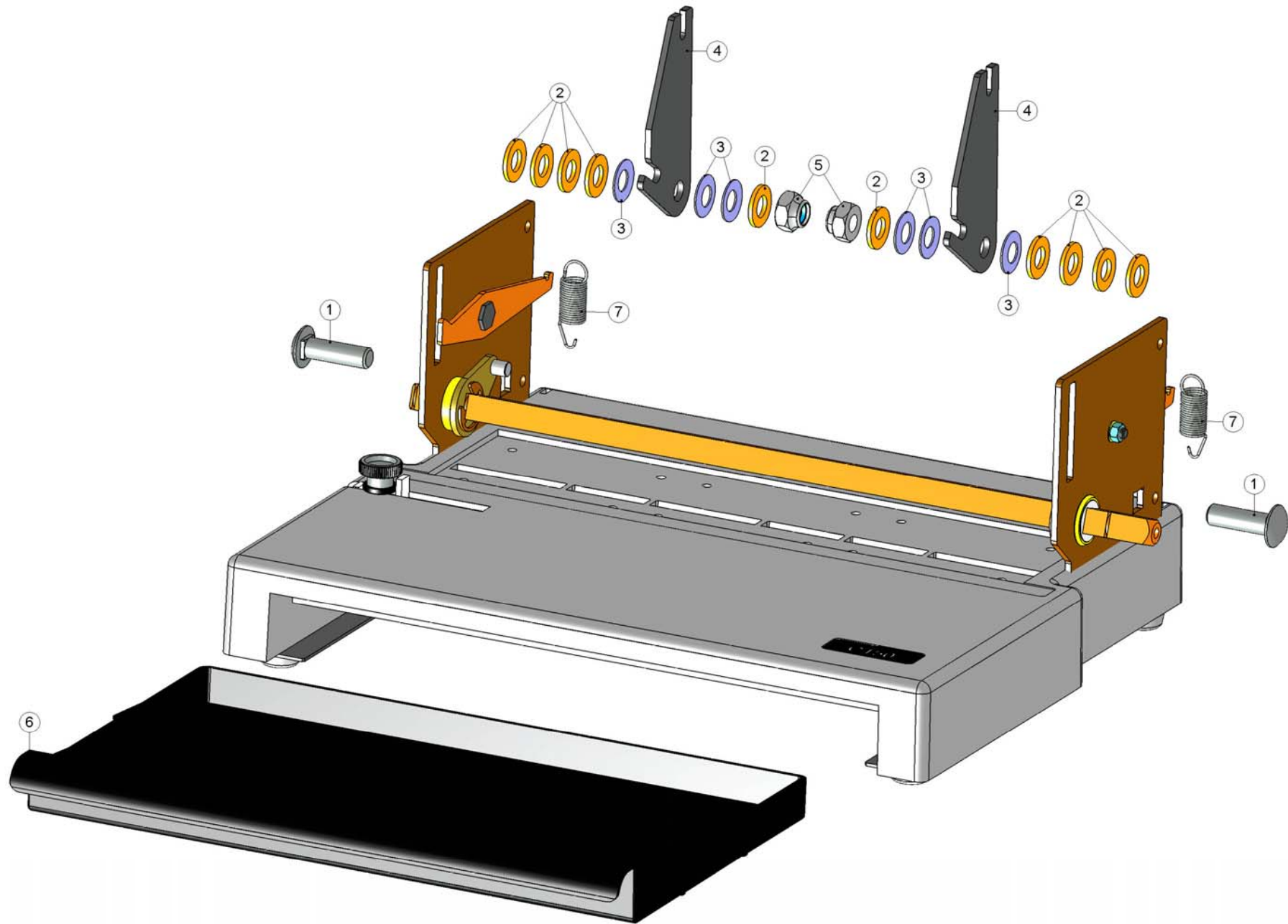
Ersatzteilkatalog
Spare parts catalogue
Catalogue des pièces détachées
Catálogo de peças

Edition	Serial No.	Date	Name
1	QDP0001-	April 2004	GBC Portuguesa



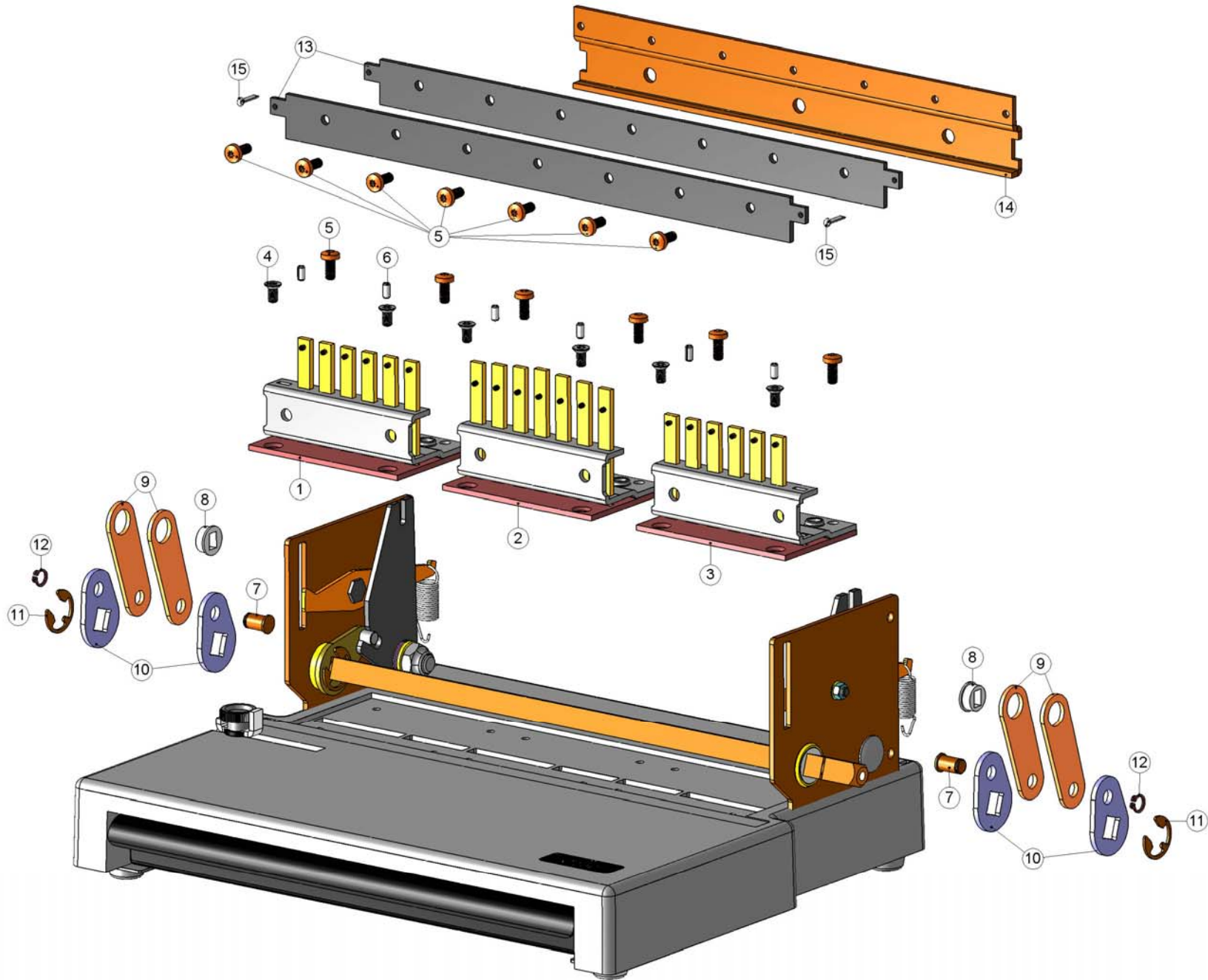
Page/of	Product	Serial No.	Date
4 / 15	CombBind C150 USA	QDP0001-	April 2004

<i>Pos.</i>	<i>New Part No.</i>	<i>Old Part No.</i>	<i>Notes</i>	<i>Pre-Assemble Set</i>	<i>Description</i>
1	PT2200210	----	----	----	Chassis lbimatic
2	PT2216110	----	----	----	Washer
3	PT2215910	----	----	----	Adjusting screw
4	PT9930300	----	DIN 9021 A (M6)	----	Washer
5	PT2216029	----	----	----	Stop
6	PT2232020	----	----	----	Drawer guide
7	PT2218210	----	----	----	Rubber foot
8	PT9913700	----	DIN 7500 C (M4x10)	----	Duo-taptite-screw w.ch.h.
9	PT2206410	----	----	----	Logotype CombBind C150
10	PT2201010	----	----	----	Bearing screw
11	PT2200929	----	----	----	Lever
12	PT9941000	----	DIN 137 A (M5)	----	Curved spring washer
13	PT9920500	----	DIN 934 (M5)	----	Hexagon thin nut, browned
14	PT2200729	----	----	----	Bearing ring
15	PT2200810	----	----	----	Bearing
16	PT2201120	----	----	1-1013.29	Hinge arm
17	PT2201210	----	----	1-1013.29	Hinge bolt
18	PT2203829	----	----	----	Axle
19	PT9951100	----	DIN 6799	----	Retaining washer, loose



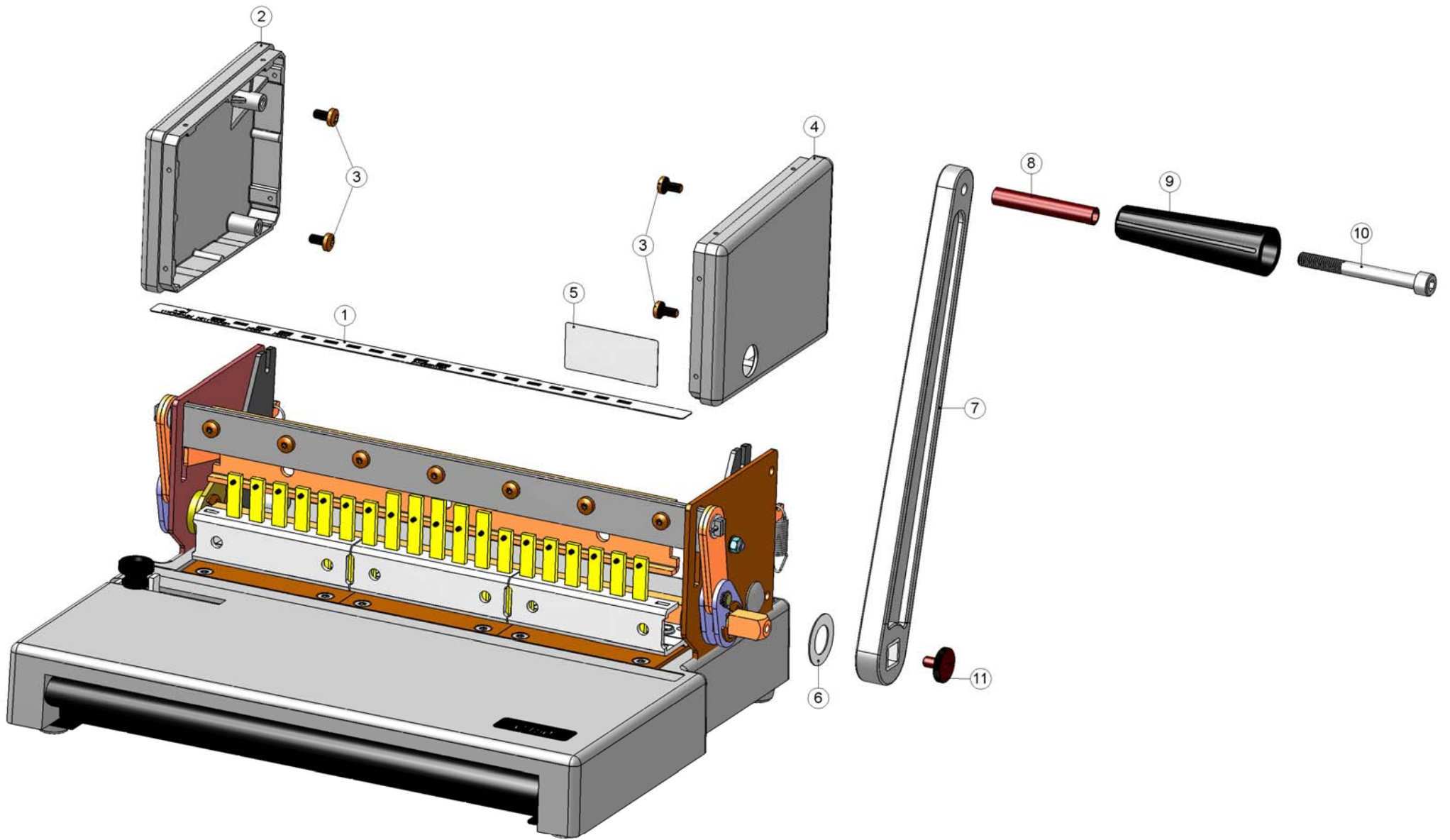
<i>Page/of</i>	<i>Product</i>	<i>Serial No.</i>	<i>Date</i>
6 / 15	CombBind C150 USA	QDP0001-	April 2004

Pos.	New Part No.	Old Part No.	Notes	Pre-Assemble Set	Description
1	PT9916700	----	M5x50	----	Round head / square neck
2	PT9932200	----	DIN 125 A (M10)	----	Washer
3	PT9941300	----	DIN 2093 B (20x10.2x0.8)	----	Disc spring
4	PT2201529	----	----	----	Hinge
5	PT9922400	----	DIN 985 (M10)	----	Nut
6	PT2201610	----	----	----	Drawer
7	PT2203110	----	----	----	Tension spring



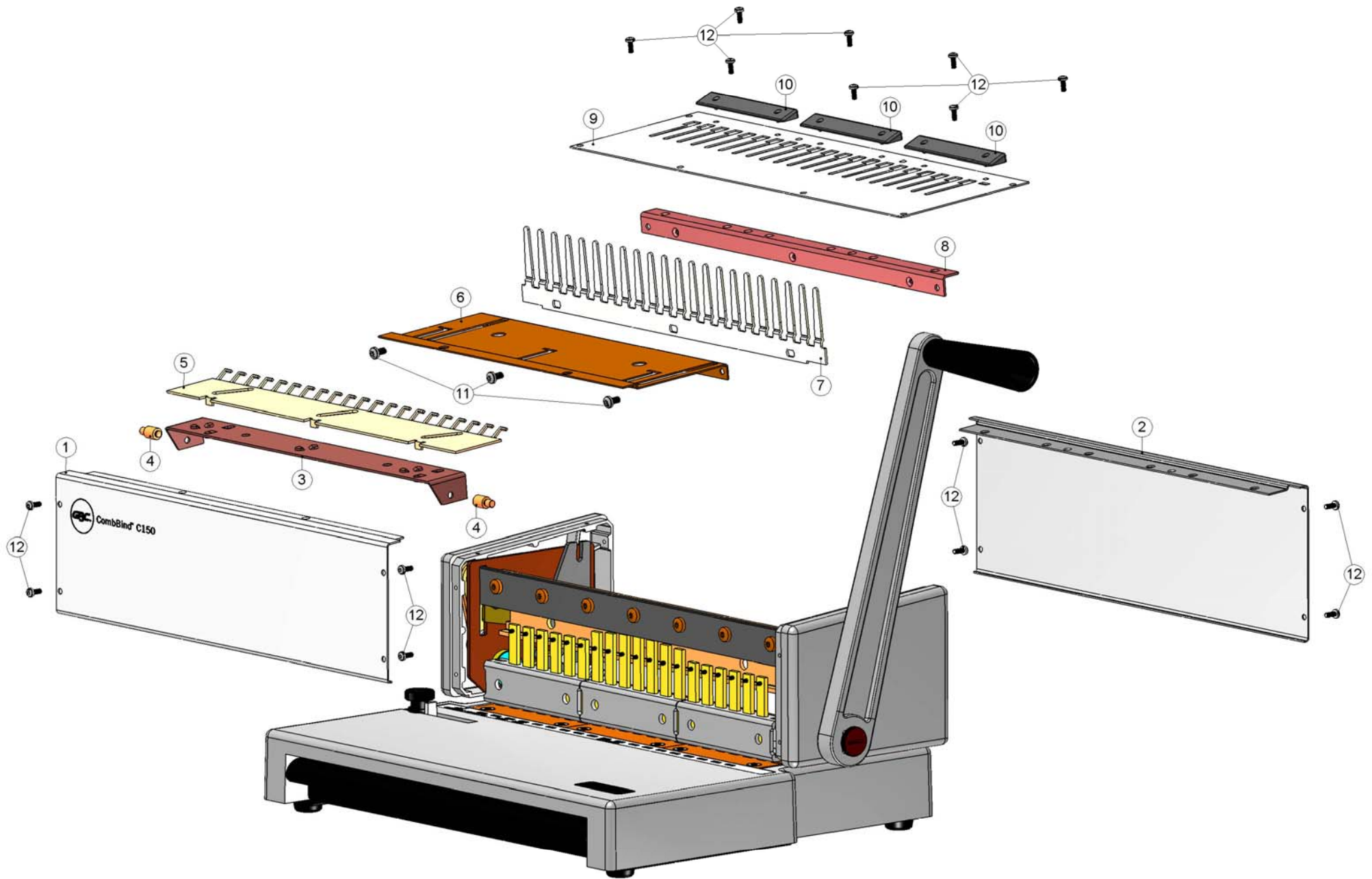
<i>Page/of</i>	<i>Product</i>	<i>Serial No.</i>	<i>Date</i>
8 / 15	CombBind C150 USA	QDP0001-	April 2004

<i>Pos.</i>	<i>New Part No.</i>	<i>Old Part No.</i>	<i>Notes</i>	<i>Pre-Assemble Set</i>	<i>Description</i>
1	PT1103390	----	----	1-1033.90	Punching block cpl., left
2	PT1103390	----	----	1-1033.90	Punching block cpl., centre
3	PT1103390	----	----	1-1033.90	Punching block cpl., rigt
4	PT9900700	----	DIN 7500 M (M5x10)	----	Torx head screw
5	PT9904600	----	DIN 7500 C (M5x12)	----	Self drilling torx screw
6	PT9965300	----	DIN 1481 (3.5x8)	----	Slotted spring pin
7	PT2200600	----	----	----	Joint pin
8	PT2236310	----	----	----	Bushing
9	PT2236229	----	----	----	Joint arm
10	PT2200410	----	----	----	Arm, outside
11	PT9951100	----	DIN 6799	----	Retaining washer, loose
12	PT9950200	----	DIN 471 (A8)	----	Retaining ring
13	PT2236029	----	----	----	Press beam front
14	PT2236120	----	----	----	Press beam back
15	PT9965500	----	DIN 94 (2.5x10	----	Split pin



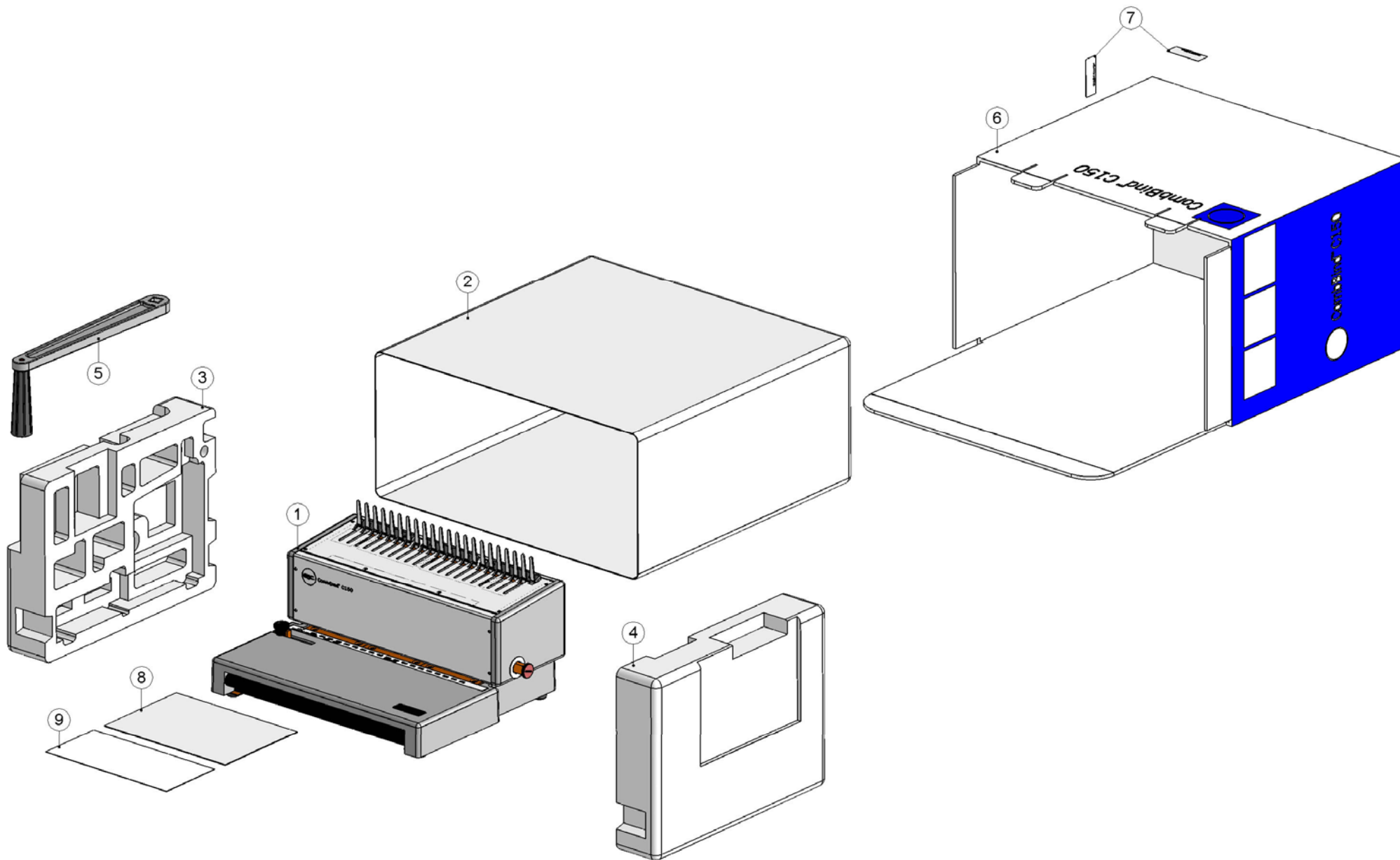
<i>Page/of</i>	<i>Product</i>	<i>Serial No.</i>	<i>Date</i>
10 / 15	CombBind C150 USA	QDP0001-	April 2004

<i>Pos.</i>	<i>New Part No.</i>	<i>Old Part No.</i>	<i>Notes</i>	<i>Pre-Assemble Set</i>	<i>Description</i>
1	PT2204710	----	----	----	Scale 19 USA (K`rella)
2	PT2201720	----	----	----	Cover plate, left
3	PT9912700	----	DIN 7500 (M5x10)	----	Torx screw washer
4	PT2201820	----	----	----	Cover plate, right
5	PT2582010	----	----	----	Type label CombBind C150
6	PT2204010	----	----	----	PVC washer
7	PT2202920	----	----	----	Lever
8	PT2234610	----	----	----	Distance tube
9	PT2234010	----	----	----	Handle
10	PT9900800	----	DIN 912 8.8 (M8x75)	----	Hex. sock. head cap sc., browned
11	PT2204129	----	----	----	Knurled screw



<i>Page/of</i>	<i>Product</i>	<i>Serial No.</i>	<i>Date</i>
12 / 15	CombBind C150 USA	QDP0001-	April 2004

<i>Pos.</i>	<i>New Part No.</i>	<i>Old Part No.</i>	<i>Notes</i>	<i>Pre-Assemble Set</i>	<i>Description</i>
1	PT2208570	----	----	----	Front cover CombBind C150, printed
2	PT2202020	----	----	----	Back cover
3	PT2230420	----	----	1-1021.29	Carrier 21
4	PT2202210	----	----	1-1021.29	Bolt
5	PT2230320	----	----	----	Slide 21
6	PT2230229	----	----	----	Guide plate
7	PT2231020	----	----	----	Comb 21
8	PT2231120	----	----	----	Bracket
9	PT2202320	----	----	----	Cover plate
10	PT2233410	----	----	----	Wedge
11	PT9905800	----	DIN 7500 C (M4x8)	----	Self drilling torx screw
12	PT9903000	----	DIN 7500 C (M3x8)	----	Duo-tapt. screw w. ch. head, z. pl.



Page/of	Product	Serial No.	Date
14 / 15	CombBind C150 USA	QDP0001-	April 2004

Pos.	New Part No.	Old Part No.	Notes	Pre-Assemble Set	Description
1	27110	----	----	----	CombBind C150 USA
2	PT8803400	----	----	----	Dust bag
3	PT8802410	----	----	----	Foam end cap (left)
4	PT8802410	----	----	----	Foam end cap (right)
5	PT11031	----	----	----	Lever cpl.
6	PT8364910	----	----	----	Printed box CombBind C150
7	PT8360910	----	----	----	UPC-Code / SN CombBind C150
8	PT8803910	----	----	----	Intruaction manual CombBind C150
9	PT8815510	----	----	----	Packing sheet caution