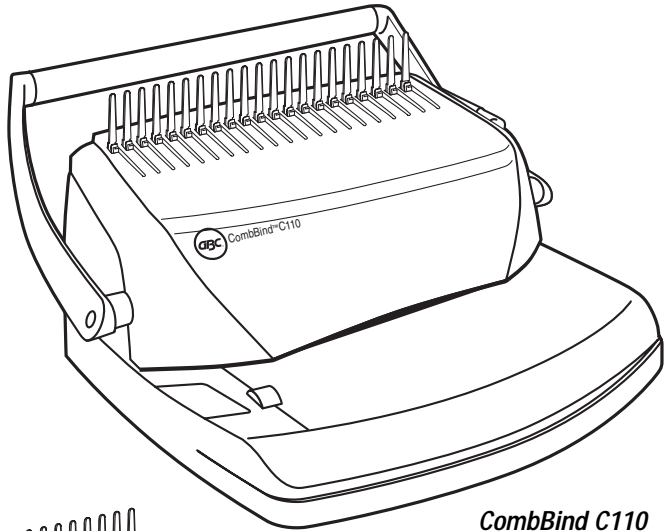
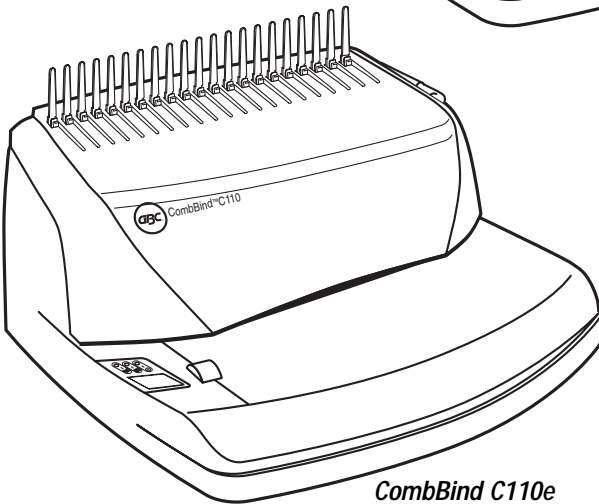


**CombBind C110  
CombBind C110e  
Binding System**



**CombBind C110**



**CombBind C110e**

**Instruction Manual**

**E** Manual de instrucciones

**F** Manuel d'utilisation

**IMPORTANT**

To register this product go to [www.gbc.com](http://www.gbc.com)

**IMPORTANTE**

Para registrar este producto dirijase a [www.gbc.com](http://www.gbc.com)

**IMPORTANT**

Pour enregistrer ce produit, veuillez vous rendre à [www.gbc.com](http://www.gbc.com)



CombBind 110 Only

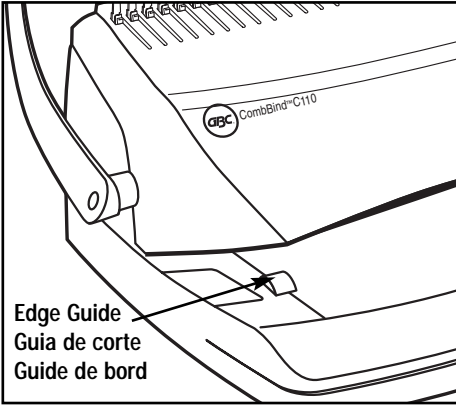


Figure 1  
Figura 1

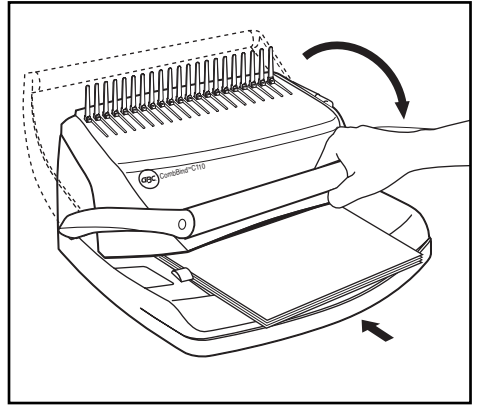


Figure 2  
Figura 2

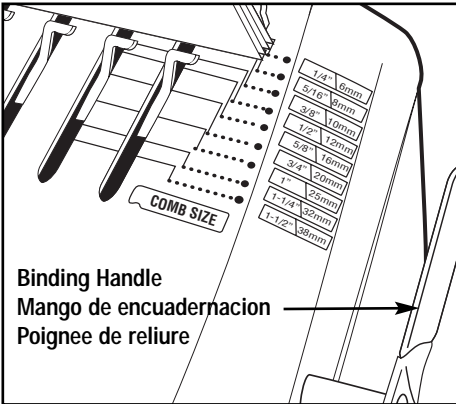


Figure 3  
Figura 3

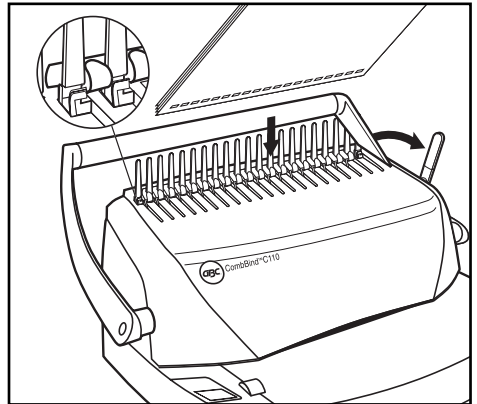


Figure 4  
Figura 4

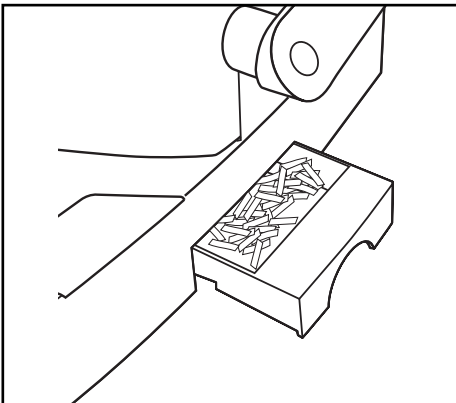


Figure 5  
Figura 5

Please read these instructions carefully and keep them in a safe place for later reference.

#### A. DETERMINE SHEET WIDTH:

1. Rotate the edge guide to the paper / cover size you wish to bind. Letter (8-1/2" x 11") A-4 (297mm x 210mm) **Oversized** (8-3/4" 222mm x 11-1/4" 286mm) (see figure 1). When using oversized covers, rotate the edge guide to the oversize position, punch all of the covers for your documents and set aside. Rotate the edge guide to either Letter or A-4 position and punch the paper for your document.

#### B. PUNCHING PAPER: (see figure 2)

1. Jog or align the sheets or covers and insert the edge to be punched into the punch throat opening.
2. Fully insert the sheets into the throat opening and against the edge guide.
3. To punch, pull the punching handle down towards you until the handle bottoms and the punching is complete. The CombBind C-110 will punch up to 15 sheets of 20 lb. / 80 gsm paper. Do not punch more than (1) clear cover at a time to prevent jams.

#### C. DETERMINE PLASTIC COMB SIZE: (see fig. 3)

1. Rotate the binding handle towards you to open the hooks away from the comb support.
2. Place the document including the covers straight up against the comb support to the right side aligning with the binding size scale. Rotate the binding lever away from you to close the hooks until they make contact with the document.
3. Read the line closest to the document follow it to the right to the corresponding comb binding element size. This is the comb binding element size required to bind the document. Your CombBind C-110 can bind books up to 300 sheets. Or 1-1/2" (38mm). For best results, always use GBC brand covers with GBC color-coordinated binding combs.

#### D. BINDING (see figure 4)

1. Before starting make sure hooks are in the home position.
2. Place the plastic comb binding element behind the vertical comb with the open portion of the element facing you.
3. Rotate the binding lever toward you until the comb binding element opens sufficiently to insert your document.
4. Place the front cover (finished side down) onto the opened binding element fingers. Place the document pages (face down) onto the element. Repeat for larger documents as required. Place the back cover (finished side up) on the open binding element fingers last.
5. Rotate the binding lever away from you, back to its original position to close the binding element.
6. Remove the book by lifting upward. Your document is now complete.
7. Once you become familiar with your CombBind C-110 you will find that you can bind as you punch, increasing your productivity.

#### E. EMPTY CHIP DRAWER: (see figure 5)

1. Your CombBind C-110 has a chip drawer located on the right side of the machine. When it is full of punched paper chad Gently pull the drawer to open it and remove from machine, empty and re-insert the drawer back in machine until it snaps in place.

#### F. Service:

1. Contact an authorized GBC service representative for any required repairs.

## Specifications C110

Max. width of paper:	11.7" (297mm - A4)
Punching capacity, paper:	15 sheets (20 lb./80gsm)
Binding capacity:	300 sheets (1-1/2"/38mm)
Net weight:	15.6 lbs. (7.1 kg.)
Dimensions (H x W x D):	18-1/2" (470mm) x 14" (356mm) x 13" (330mm)

Subject to technical changes without prior notice.

Sírvase leer estas instrucciones atentamente y guardarlas en un lugar seguro para futuras consultas.

#### A. DETERMINE EL ANCHO DE LA HOJA:

1. Gire la guía de corte para el tamaño de papel/tapa que desee encuadernar. Carta (8-1/2" 216 mm x 11" 279 mm) A-4 (297 mm x 210 mm) **Grande** (8-3/4" 222 mm x 11-1/4" 286 mm) (ver la figura 1). Cuando utilice tapas grandes, gire la guía de corte hacia la posición grande, perforo todas las tapas para sus documentos y deje a un lado. Gire la guía de corte hacia la posición Carta o bien A-4 y perforo el papel para su documento.

#### B. CÓMO PERFORAR PAPEL: (ver la figura 2)

1. Empareje o alinee las hojas o tapas e introduzca el borde que desee perforar en la abertura del cuello de perforación.
2. Introduzca las hojas hasta el fondo, en la abertura del cuello y contra la guía de corte.
3. Para perforar, tire del mango de perforación hacia abajo y hacia usted hasta que el mango haga tope y la perforación esté completa. La CombBind C-110 perforará hasta 15 hojas de papel de 20 lb./80 gsm. No perforo más de 1 tapas transparentes a la vez para evitar atascos.

#### C. CÓMO DETERMINAR EL TAMAÑO DEL ESPIRAL DE PLÁSTICO: (ver la figura 3)

1. Gire el mango de encuadernación hacia usted para apartar los ganchos del soporte del espiral.
2. Coloque el documento derecho, incluyendo las tapas, contra el soporte del espiral hacia el lado derecho, alineándolo con la escala de tamaños para encuadernación. Gire la palanca de encuadernación hacia el lado opuesto para cerrar los ganchos hasta que hagan contacto con el documento.
3. Lea la línea más próxima al documento y sigala hacia la derecha hasta el tamaño correspondiente del elemento de encuadernación del espiral. Ése es el tamaño del elemento de encuadernación del espiral adecuado para encuadernar el documento. Su CombBind C-110 puede encuadernar libros de hasta 300 hojas. Ó 1-1/2" (38 mm). Para lograr mejores resultados, siempre use tapas marca GBC con espirales de encuadernación en colores combinados GBC.

#### D. ENCUADERNACIÓN (ver la figura 4)

1. Antes de comenzar, asegúrese de que los ganchos estén en la posición de inicio.
2. Coloque el espiral de encuadernación de plástico detrás del espiral vertical con la parte abierta del elemento hacia usted.
3. Gire la palanca de encuadernación hacia usted hasta que el espiral de encuadernación se abra lo suficiente como para introducir su documento.
4. Coloque la tapa delantera (la parte terminada hacia abajo) sobre los dientes abiertos de encuadernación. Coloque las páginas del documento (hacia abajo) sobre el accesorio. Repita la acción para documentos más extensos según sea necesario. Coloque la tapa trasera (la parte terminada hacia arriba) sobre los dientes abiertos de encuadernación.
5. Gire la palanca de encuadernación hacia el lado opuesto, hacia su posición original para cerrar el accesorio de encuadernación.
6. Retire el libro levantándolo hacia arriba. Su documento queda entonces completo.
7. Una vez que se familiarice con el funcionamiento de su CombBind C-110, se dará cuenta de que puede encuadernar a la misma vez que perfora, aumentando así su productividad.

#### E. CÓMO VACIAR EL CAJÓN DE PAPEL: (ver la figura 5)

1. Su CombBind C-110 tiene un cajón de papel ubicado sobre el lado derecho de la máquina. Cuando esté lleno de restos de papel perforado, se encenderá una luz roja (ver la figura 2). Tire del cajón con suavidad para abrirlo y retírelo de la máquina, vacíelo y vuelva a introducirlo en la máquina hasta que quede colocado en su lugar.

#### F. Servicio:

1. Póngase en contacto con un representante de servicio autorizado de GBC por cualquier reparación necesaria.

## Especificaciones C110

Ancho máximo de papel:	11,7" (297 mm - A4)
Capacidad de perforación, papel:	15 hojas (20 lb./80 gsm)
Capacidad de encuadernación:	300 hojas (1-1/2"/38 mm)
Peso neto:	15,6 lbs. (7,1 kg)
Dimensiones (H x A x P):	18-1/2" (470 mm) x 14" (356 mm) x 13" (330 mm)
Sujeto a cambios técnicos sin previo aviso.	

**Veillez lire attentivement ces instructions et les conserver en lieu sûr à titre de référence.**

#### **A. DÉTERMINEZ LA LARGEUR DE LA FEUILLE :**

1. Tournez le guide de bord à la taille de papier / couverture que vous désirez relier. Lettre (8 1/2 po x 11 po) A-4 (297 mm x 210 mm) Surdimensionné (8 3/4 po 222 mm x 11 1/4 po 286 mm) (voir la figure 1). En utilisant des couvertures surdimensionnées, tournez le guide de bord à la position surdimension, percez toutes les couvertures de vos documents et mettez-les de côté. Tournez le guide de bord soit à la position Lettre ou A-4 et percez le papier de votre document.

#### **B. PERFORER LE PAPIER : (voir la figure 2)**

1. Secouez ou alignez les feuilles ou couvertures et insérez le bord à perforer dans l'ouverture de la bouche de perforation.
2. Insérez entièrement les feuilles dans l'ouverture de la bouche et contre le guide de bord.
3. Pour perforer, tirez la poignée de perforation vers le bas et vers vous jusqu'au bout et jusqu'à la fin de la perforation. Le CombBind C-110 perforera jusqu'à 15 feuilles de 20 lb / 80 gsm de papier. Ne percez pas plus de (1) couvertures transparentes à la fois pour éviter les blocages.

#### **C. DÉTERMINEZ LA TAILLE DU PEIGNE DE PLASTIQUE (voir la fig. 3)**

1. Tournez la poignée de reliure vers vous pour ouvrir les crochets en les éloignant du support de peigne.
2. Placez le document (y compris les couvertures) droit contre le support de peigne du côté droit en alignant l'échelle de taille de reliure. Tournez le levier de reliure loin de vous pour refermer les crochets jusqu'à ce qu'ils entrent en contact avec le document.
3. Lisez la ligne la plus rapproche du document et suivez-la jusqu'à la droite de la taille d'élément de reliure à peigne correspondante. C'est la taille d'élément de reliure à peigne requise pour relier ce document. Votre CombBind C-110 peut relier des livres jusqu'à 300 feuilles. Ou 1 1/2 po (38 mm). Pour de meilleurs résultats, utilisez toujours les couvertures de marque GBC avec les peignes de reliure de couleur assortie GBC.

#### **D. RELIER (voir la figure 4)**

1. Avant de commencer, assurez-vous que les crochets soient dans la position de départ.
2. Placez l'élément de reliure à peigne de plastique derrière le peigne vertical avec la partie ouverte de l'élément face à vous.
3. Tournez le levier de reliure vers vous jusqu'à ce que l'élément de reliure à peigne s'ouvre suffisamment pour insérer votre document.
4. Placez la couverture avant (côté fini vers le bas) sur les doigts d'élément de reliure ouverts. Placez les pages du document (face vers le bas) sur l'élément. Répétez pour les documents plus larges tel que requis. Placez la couverture arrière (côté fini vers le haut) sur les doigts d'élément de reliure ouverts, à la fin.
5. Tournez le levier de reliure en l'éloignant de vous pour le remettre en position originale afin de fermer l'élément de reliure.
6. Retirez le livre en soulevant vers le haut. Votre document est maintenant terminé.
7. Lorsque vous vous êtes familiarisé avec votre CombBind C-110 vous trouverez que vous pouvez relier en perforant ce qui augmentera votre productivité.

#### **E. VIDER LE TIROIR À REBUTS (voir la figure 5)**

1. Votre CombBind C-110 a un tiroir de rebuts du côté droit de l'appareil. Lorsqu'il est plein de retailles de papier perforé, tirez-le délicatement pour l'ouvrir et retirez-le de la machine, videz-le et remettez-le en place jusqu'à ce qu'il s'engage dans la machine.

#### **F. Service :**

1. Pour toute réparation, contactez un représentant de service autorisé GBC.

## **Spécifications C110**

Largeur max. de papier :	11,7 po (297 mm - A4)
Capacité du perforateur, papier :	15 feuilles (20 lb / 80 gsm)
Capacité de reliure :	300 feuilles ( 1 1/2 po / 38 mm)
Poids net :	15,6 lb / 7,1 kg
Dimensions (H x Larg x Prof) :	18 1/2 po (470 mm) x 14 po (356 mm) x 13 po (330 mm)
Sujet à changements techniques sans préavis.	

## FCC Class A Notice - Notification pour les Etats-Unis

Note: This equipment has been tested and found to comply with the limits for a Class A digital device, pursuant to part 15 of the FCC rules. These limits are designed to provide reasonable protection against harmful interference when the equipment is operated in a commercial environment. This equipment generates, uses, and can radiated radio frequency energy and, if not installed and used in accordance with the instruction manual, may cause harmful interference to radio communications. Operation of this equipment in a residential area is likely to cause harmful interference in which case the user will be required to correct the interference at his own expense.

Canada Class A Notice - Avis Canada, Classe A

This Class A digital apparatus complies with Canadian ICES-003.

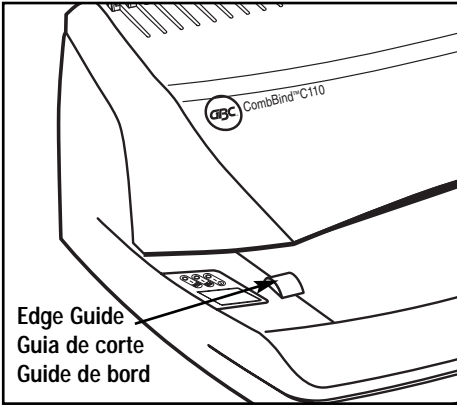
Cet appareil numérique de la classe A est conforme à la norme NMB-003 du Canada.

### Modifications

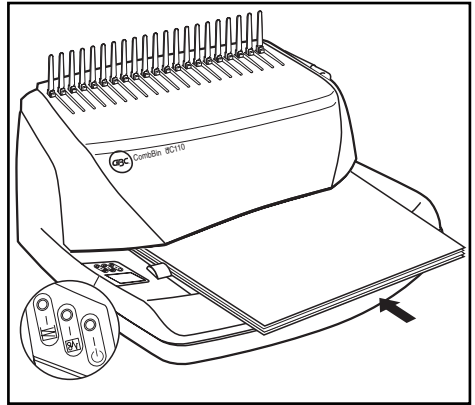
Any modifications made to this device that are not approved by General Binding Corporation may void the authority granted to the user by the FCC and/or by Industry Canada to operate this equipment.

Toutes modifications apportées à ce dispositif et non approuvées par General Binding Corporation annuleront le droit accordé à l'utilisateur par le FCC et/ou par Industrie Canada de faire fonctionner cet équipement.

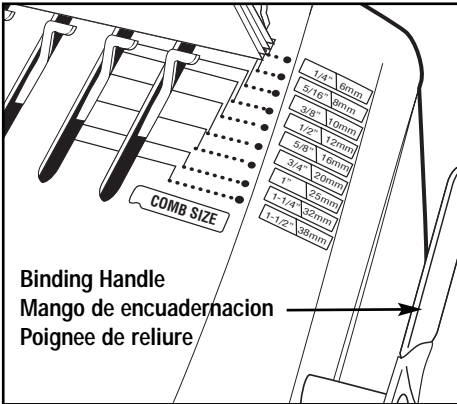
**CombBind 110e Only**



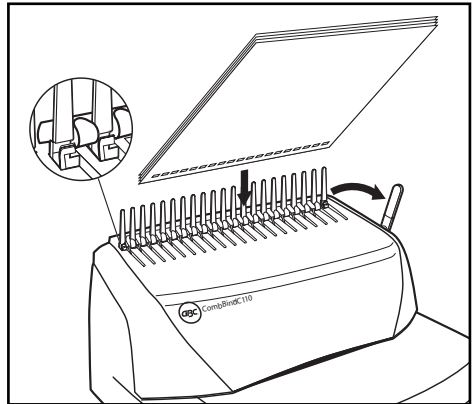
**Figure 1**  
**Figura 1**



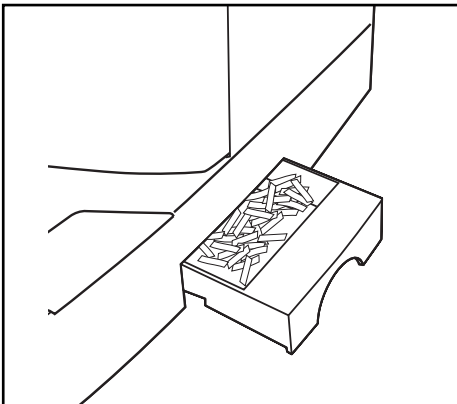
**Figure 2**  
**Figura 2**



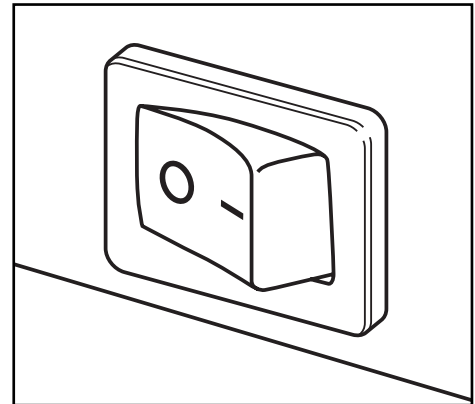
**Figure 3**  
**Figura 3**



**Figure 4**  
**Figura 4**



**Figure 5**  
**Figura 5**




**Figure 6**  
**Figura 6**

## Safety Instructions for CombBind C110e Only

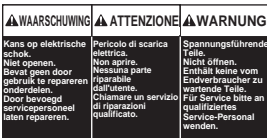
### SAFETY MESSAGES

Your safety as well as the safety of others is important to GBC. In this Operator Manual and on the product are important safety messages. Read these messages carefully.

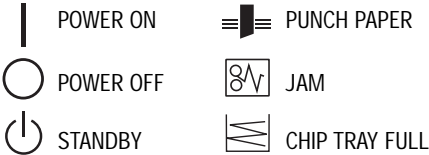
 The safety alert symbol precedes each safety message in this Operator Manual. This symbol indicates a potential personal safety hazard that could hurt you or others, as well as cause product or property damage.


The following warning is found on this unit:

This safety message means you could be seriously hurt or killed if you open the product and expose yourself to hazardous voltage.



The following symbols appear on this product, and their meaning is as follows:



 **WARNING:** For your protection, do not connect the CombBind C110e to electrical power until you read these instructions completely. Keep these instructions in a convenient location for future reference. To guard against injury, the following basic safety precautions must be observed in the set-up and use of this product.

### IMPORTANT SAFEGUARDS

#### GENERAL SAFEGUARDS


- Use the CombBind C110e only for its intended purpose of punching and binding paper and covers according to the indicated specifications.
- Do not place anything in the punch opening of

the machine other than paper and cover stock.

- Place unit on a secure, stable work area to prevent the machine falling and possibly causing personal injury and damage to the unit.
- Follow all warnings and instructions marked on the product.
- Lift the machine from the bottom, not the cover.
- Do not lift the machine by the cover or paper holder wire.

### ELECTRICAL SAFEGUARDS

The CombBind C110e must be connected to a supply voltage corresponding to the electrical rating of the machine as indicated on the serial/rating plate or in this manual.


 **CAUTION: THE POWER RECEPTACLE MUST BE LOCATED NEAR THE EQUIPMENT AND BE EASILY ACCESSIBLE.**

- Unplug the CombBind C110e before moving it, or when it is not in use for an extended period of time.
- Do not operate with a damaged supply cord or plug, after it malfunctions, or after it has been damaged in any manner.
- Do not overload electrical outlets beyond their capacity as this can result in fire or electrical shock.
- Do not alter attachment plug. Plug is configured for the appropriate electrical supply.
- The unit is intended for indoor use only.
- Never push objects into this product through cabinet slots. Do not spill liquid of any kind on this product.
- Do not operate if the product has been exposed to rain or water.

### SERVICE

Do not attempt to service or repair the CombBind C110e yourself. Unplug the unit and contact an authorized GBC service representative for any repairs.

### CLEANING

 **CAUTION:** Unplug this product before cleaning. Wipe exterior only with a damp cloth. Do not use detergents or solvents.

Please read these instructions carefully and keep them in a safe place for later reference.



#### A. GETTING STARTED:

1. Plug the power cord into an appropriate power receptacle

#### B. DETERMINE SHEET WIDTH: (see figure 1)

1. Rotate the edge guide to the paper / cover size you wish to bind. Letter (8-1/2" x 11") A-4 (297mm x 210mm) Oversized (8-3/4" 222mm x 11-1/4" 286mm) (See figure 1). When using oversized covers, rotate the edge guide to the covers position, punch all of the covers for your documents and set aside. Rotate the edge guide to either Letter or A-4 position and punch the paper for your document.

#### C. PUNCHING PAPER: (see figure 2)

1. To turn the machine "ON" press the on / off switch located in the rear of the machine. A green light will illuminate to indicate that the power is on.
2. Jog or align the sheets or covers and insert the edge to be punched into the punch throat opening.
3. Fully insert the sheets into the throat opening and against the edge guide.
4. To punch, press the punch button . The CombBind C-110e will punch up to 15 sheets of 20 lb. / 80 gsm paper. Do not punch more than (1) clear cover at a time to prevent jams.
5. If the punch jams the red jam light  will illuminate to indicate that the machine has jammed. The machine will automatically reverse the punches to clear the jam and the red jam light will remain illuminated. Remove the paper and push the punch button to re-set the machine. The red jam light will turn off indicating that the machine is ready to punch. Reduce some of the sheets and repeat steps 2 to 4 to avoid jams on additional lifts.
6. When finished punching turn the machine OFF by pressing the ON / OFF switch located at the rear of the machine.

#### D. DETERMINE PLASTIC COMB SIZE: (see figure 3)

1. Rotate the binding handle towards you to open the hooks away from the comb support.
2. Place the document including the covers straight

up against the comb support to the right side aligning with the binding size scale. Rotate the binding lever away from you to close the hooks until they make contact with the document.

3. Read the line closest to the document follow it to the right to the corresponding comb binding element size. This is the comb binding element size required to bind the document. Your CombBind C-110e can bind books up to 300 sheets. Or 1-1/2" (38mm). For best results, always use GBC brand covers with GBC color-coordinated binding combs.

#### E. BINDING (see figure 4)

1. Place the plastic comb binding element behind the vertical comb with the open portion of the element facing you.
2. Rotate the binding lever toward you until the comb binding element opens sufficiently to insert your document.
3. Place the front cover (finished side down) onto the opened binding element fingers. Place the document pages (face down) onto the element. Repeat for larger documents as required. Place the back cover (finished side up) on the open binding element fingers last.
4. Rotate the binding lever away from you, back to its original position to close the binding element.
5. Remove the book by lifting upward. Your document is now complete.
6. Once you become familiar with your CombBind C-110e you will find that you can bind as you punch, increasing your productivity.

#### F. EMPTY CHIP DRAWER: (see figure 2 & 5)

1. Your CombBind C-110e has a chip drawer located on the right side of the machine (see figure 5). When it is full of punched paper chad a red light (see figure 2) will illuminate. Gently pull the drawer to open it and remove from machine, empty and re-insert the drawer back in machine until it snaps in place.

#### G. SERVICE

1. Contact an authorized GBC service representative for any required repairs.

## Specifications C110e

Max. width of paper:	11.7" (297mm - A4)
Punching capacity, paper:	15 sheets (20 lb./80gsm)
Binding capacity:	300 sheets (1-1/2"/38mm)
Net weight:	20 lbs. (9.1 kg.)
Dimensions (H x W x D):	16" (406mm) x 14" (356mm) x 9" (229mm)
Subject to technical changes without prior notice.	

## Instrucciones de seguridad para la CombBind C110e solamente

### MENSAJES DE SEGURIDAD

Su seguridad así como la de los demás es importante para GBC. En este Manual del Operador y en el producto encontrará mensajes de seguridad importantes. Lea estos mensajes atentamente.

El símbolo de alerta de seguridad precede a cada mensaje de seguridad que se incluye en este Manual del Operador. Este símbolo indica un peligro potencial a la seguridad personal que podría lesionarlo a usted o a otros, además de provocar daños al producto o a la propiedad. La siguiente advertencia aparece en la unidad: Este mensaje de seguridad significa que usted podría perder la vida o resultar gravemente herido si abre el producto y se expone a voltajes peligrosos.



⚠️ WAARSCHUWING	⚠️ ATTENZIONE	⚠️ WARNING
Kans op elektrische schok. Niet openen. Gevel geen door gebruik te repareren onderdelen. Door bevoegd servicepersoneel laten repareren.	Pericolo di scarica elettrica. Non aprire. Nessuna parte riparabile dall'utente. Chiamare un servizio di riparazioni qualificato.	Spannungsführende Teile. Nicht öffnen. Enthält keine vom Endverbraucher zu wartende Teile. Für Service bitte an qualifiziertes Service-Personal wenden.

Los siguientes símbolos aparecen en este producto y significan lo siguiente:

	ENCENDIDO		PERFORAR PAPEL
	APAGADO		ATASCO
	EN ESPERA		BANDEJA DE PAPEL LLENA

**ADVERTENCIA:** Para su protección, no conecte la CombBind C110e a la corriente eléctrica hasta leer estas instrucciones por completo. Guarde estas instrucciones en una ubicación adecuada para futuras consultas. Para protegerse contra lesiones debe seguir las siguientes precauciones de seguridad y uso de este producto.

### PRECAUCIONES IMPORTANTES PRECAUCIONES GENERALES

- Utilice la CombBind C110e únicamente para el uso para el cual fue diseñada, es decir para perforar y encuadernar papel y tapas, de acuerdo con las especificaciones que se indican.
- No coloque nada en la abertura de perforación de la máquina que no sea papel o tapas.

- Coloque la unidad en un área de trabajo segura y estable para evitar que la máquina se caiga provocando lesiones personales o daño a la unidad.
- Siga todas las advertencias e instrucciones que figuran en el producto.
- Levante la máquina por la parte posterior, no por la tapa.
- No levante la máquina por la tapa ni por el cable del soporte del papel.

### PRECAUCIONES ELÉCTRICAS

La CombBind C110e debe estar conectada a una fuente de voltaje que corresponda con la clasificación eléctrica de la máquina según lo indicado en la placa con el número de serie/clasificación o en este manual.

**⚠️ PRECAUCIÓN: EL TOMACORRIENTE DEBE ESTAR UBICADO CERCA DEL EQUIPO Y DEBE SER DE FÁCIL ACCESO.**

- Desenchufe la CombBind C110e antes de moverla, o cuando no vaya a usarla durante un largo periodo de tiempo.
- No ponga la máquina en funcionamiento si el cable o el enchufe de alimentación están en mal estado, después de una falla en el funcionamiento, o después de que hayan sido dañados de alguna manera.
- No sobrecargue los tomacorrientes eléctricos ya que esto puede resultar en un incendio o choque eléctrico.
- No altere el enchufe de conexión. El enchufe está configurado para el suministro eléctrico apropiado.
- La unidad está diseñada para usarse en espacios interiores únicamente.
- Nunca introduzca objetos dentro del producto a través de las ranuras del mueble. No derrame líquidos de ningún tipo sobre el producto.
- No ponga el producto en funcionamiento si ha sido expuesto al agua o la lluvia.

### SERVICE

Do not attempt to service or repair the CombBind C110e yourself. Unplug the unit and contact an authorized GBC service representative for any repairs.

### LIMPIEZA

**⚠️ PRECAUCIÓN:** Desenchufe este producto antes de limpiarlo.

Limpie la parte exterior únicamente con un paño húmedo. No use detergentes ni solventes.

Sírvase leer estas instrucciones atentamente y guardarlas en un lugar seguro para futuras consultas.

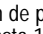

#### A. INTRODUCCIÓN:

1. Conecte el cable de corriente en un tomacorriente adecuado

#### B. DETERMINE EL ANCHO DE LA HOJA: (ver la figura 1)

1. Gire la guía de corte para el tamaño de papel/tapa que desee encuadernar. Carta (8-1/2" 216 mm x 11" 279 mm) A-4 (297 mm x 210 mm) Grande (8-3/4" 222 mm x 11-1/4" 286 mm) (ver la figura 1). Cuando utilice tapas grandes, gire la guía de corte hacia la posición de las tapas, perforo todas las tapas para sus documentos y deje a un lado. Gire la guía de corte hacia la posición Carta o bien A-4 y perforo el papel para su documento.

#### C. CÓMO PERFORAR PAPEL: (ver la figura 2)

1. Para encender la máquina, presione el interruptor de encendido/apagado (on/off) ubicado en la parte trasera de la máquina. Se encenderá una luz verde para indicar que la máquina está encendida.
2. Empareje o alinee las hojas o tapas e introduzca el borde que desee perforar en la abertura del cuello de perforación.
3. Introduzca las hojas hasta el fondo, en la abertura del cuello y contra la guía de corte.
4. Para perforar, presione el botón de perforar:  La CombBind C-110e perforará hasta 15 hojas de papel de 20 lb./80 gsm. No perforo más de 1 tapas transparentes a la vez para evitar atascos.
5. Si la perforadora se atasca , la luz roja de atascos se encenderá para indicar que la máquina se ha atascado. La máquina perforará en sentido contrario automáticamente para eliminar el atasco y la luz roja de atasco permanecerá encendida. Retire el papel y presione el botón de perforar para volver a configurar la máquina. La luz roja de atasco se apagará indicando que la máquina está lista para perforar. Reduzca un poco la cantidad de hojas y repita los pasos del 2 al 4 para evitar atascos en cargas adicionales.
6. Cuando termine de perforar, APAGUE la máquina presionando el interruptor de ENCENDIDO/APAGADO (ON/OFF) ubicado en la parte trasera de la máquina.

#### D. CÓMO DETERMINAR EL TAMAÑO DEL ESPIRAL DE PLÁSTICO: (ver la figura 3)

1. Gire el mango de encuadernación hacia usted para apartar los ganchos del soporte del espiral.
2. Coloque el documento derecho, incluyendo las tapas, contra el soporte del espiral hacia el lado derecho, alineándolo con la escala de tamaños para encuadernación. Gire la palanca de encuadernación

hacia el lado opuesto para cerrar los ganchos hasta que hagan contacto con el documento.

3. Lea la línea más próxima al documento y sígala hacia la derecha hasta el tamaño correspondiente del elemento de encuadernación del espiral. Ése es el tamaño del elemento de encuadernación del espiral adecuado para encuadernar el documento. Su CombBind C-110e puede encuadernar libros de hasta 300 hojas. O 1-1/2" (38 mm). Para lograr mejores resultados, siempre use tapas marca GBC con espirales de encuadernación en colores combinados GBC.

#### E. ENCUADERNACIÓN (ver la figura 4)

1. Coloque el espiral de encuadernación de plástico detrás del espiral vertical con la parte abierta del elemento hacia usted.
2. Gire la palanca de encuadernación hacia usted hasta que el espiral de encuadernación se abra lo suficiente como para introducir su documento.
3. Coloque la tapa delantera (la parte terminada hacia abajo) sobre los dientes de encuadernación abiertos. Coloque las páginas del documento (hacia abajo) sobre el accesorio. Repita la acción para documentos más extensos según sea necesario. Coloque la tapa trasera (la parte terminada hacia arriba) sobre los dientes de encuadernación abiertos.
4. Gire la palanca de encuadernación hacia el lado opuesto, hacia su posición original para cerrar el accesorio de encuadernación.
5. Retire el libro levantándolo hacia arriba. Su documento queda entonces completo.
6. Una vez que se familiarice con el funcionamiento de su CombBind C-110e, se dará cuenta de que puede encuadernar a la misma vez que perfora, aumentando así su productividad.

#### F. CÓMO VACIAR EL CAJÓN DE PAPEL: (ver la figura 2 y 5)

1. Su CombBind C-110e tiene un cajón de papel ubicado sobre el lado derecho de la máquina (ver la figura 5). Cuando esté lleno de restos de papel perforado, se encenderá una luz roja (ver la figura 2). Tire del cajón con suavidad para abrirlo y retírelo de la máquina, vacíelo y vuelva a introducirlo en la máquina hasta que quede colocado en su lugar.

#### G. SERVICIO

1. Póngase en contacto con un representante de servicio autorizado de GBC por cualquier reparación necesaria.


## Especificaciones C110e

Ancho máximo de papel:	11,7" (297 mm - A4)
Capacidad de perforación, papel:	15 hojas (20 lb./80 gsm)
Capacidad de encuadernación:	300 hojas (1-1/2"/38 mm)
Peso neto:	20 lbs. (9,1 kg)
Dimensiones (H x A x P):	16" (406 mm) x 14" (356 mm) x 9" (229 mm)
Sujeto a cambios técnicos sin previo aviso.	

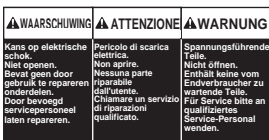
## Instructions de sécurité pour le CombBind C110e seulement

### MESSAGES DE SÉCURITÉ

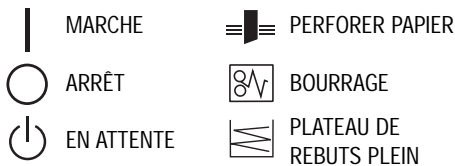
Votre sécurité et celles des autres est très importante pour GBC. Dans ce manuel de l'opérateur et sur le produit, vous trouverez des messages de sécurité importants. Veuillez les lire attentivement.


 Le symbole de sécurité précède chaque message de sécurité dans ce manuel d'instructions. Ce symbole indique un danger possible pour la sécurité personnelle qui pourrait mener à des blessures pour vous ou pour d'autres en plus de provoquer des dommages au produit ou à la propriété.

L'avertissement suivant se trouve sur cette unité : Ce message de sécurité signifie que vous pourriez être blessé gravement ou tué si vous ouvrez le produit et vous exposez à une tension dangereuse.



Les symboles suivants apparaissent sur ce produit et voici ce qu'ils signifient :



 **AVERTISSEMENT** : Pour votre protection, ne branchez pas le CombBind C110e au courant électrique avant d'avoir lu toutes ces instructions. Conservez ces instructions à titre de référence future dans un lieu pratique. Pour éviter toute blessure, veuillez suivre les précautions de sécurité suivantes pendant l'installation et l'utilisation de ce produit.


### MESURES DE PROTECTION IMPORTANTES MESURES DE PROTECTION GÉNÉRALES

- Utilisez le CombBind C110e seulement à ses fins prévues soit pour perforer et relier le papier et les couvertures conformément aux spécifications indiquées.
- Ne placez rien dans l'ouverture du perforateur de la machine autre que du papier et du carton de couverture.

- Placez l'unité sur une surface stable, fixe pour éviter que l'appareil ne tombe provoquant ainsi des blessures ou des dommages à l'appareil.
- Suivez tous les avertissements et les instructions indiqués sur le produit.
- Soulevez la machine par le bas, non pas par le couvercle.
- Ne soulevez pas la machine par le couvercle ou par le fil du porte-papier.

### MESURES DE PROTECTION ÉLECTRIQUES

Le CombBind C110e doit être branché à une source de tension correspondant à la capacité nominale électrique de la machine tel qu'indiqué sur la plaque de numéro de série/capacité nominale ou dans ce manuel.

 **MISE EN GARDE : LA PRISE DOIT ÊTRE INSTALLÉE PRÈS DE L'ÉQUIPEMENT ET FACILE D'ACCÈS.**

- Débranchez le CombBind C110e avant de le déplacer ou lorsqu'il ne sera pas utilisé pendant une longue période de temps.
- Ne faites pas fonctionner la machine avec un cordon d'alimentation ou une fiche endommagé(e), après toute défaillance ou après tout dommage quelconque.
- Ne surchargez pas les prises électriques en dépassant leur capacité car ceci pourrait mener à des chocs électriques ou à un incendie.
- Ne modifiez pas la fiche. Elle est configurée pour l'alimentation électrique appropriée.
- Cet appareil est conçu seulement pour une utilisation à l'intérieur.
- Ne poussez jamais d'objets par les fentes du boîtier. Ne déversez pas de liquide quelconque sur ce produit.
- Ne faites pas fonctionner le produit s'il a été exposé à la pluie ou à l'eau.

### ENTRETIEN ET RÉPARATION

N'essayez pas de faire l'entretien ou de réparer le CombBind C110e vous-même. Pour toute réparation, débranchez l'appareil et contactez un représentant de service autorisé GBC.

### NETTOYAGE

**MISE EN GARDE** : Débranchez ce produit avant son nettoyage.  
Essayez l'extérieur seulement avec un chiffon humide. N'utilisez pas de détergents ou de solvants.

**Veillez lire attentivement ces instructions et les conserver en lieu sûr à titre de référence.**

#### A. COMMENCEZ :

1. Branchez le cordon d'alimentation dans la prise appropriée de courant.

#### B. DÉTERMINEZ LA LARGEUR DES FEUILLES : (voir la figure 1)

1. Tournez le guide de bord à la taille de papier / couverture que vous désirez relier. Lettre (8 1/2 po x 11 po) A-4 (297 mm x 210 mm) Surdimensionné (8 3/4 po 222 mm x 11 1/4 po 286 mm) (voir la figure 1). En utilisant des couvertures surdimensionnées, tournez les guide de bord à la position surdimension, percez toutes les couvertures de vos documents et mettez-les de côté. Tournez le guide de bord soit à la position Lettre ou A-4 et percez le papier de votre document.

#### C. PERFORER LE PAPIER : (voir la figure 2)

1. Pour mettre la machine en marche, appuyez sur l'interrupteur marche / arrêt (on / off) à l'arrière de la machine. Un voyant vert s'allume pour indiquer que la machine est sous tension.
2. Secouez ou alignez les feuilles ou couvertures et insérez le bord à perforer dans l'ouverture de la bouche de perforation.
3. Insérez entièrement les feuilles dans l'ouverture de la bouche et contre le guide de bord.
4. Pour perforer, appuyez sur le bouton de perforation. Le CombBind C-110 perforera jusqu'à 15 feuilles de 20 lb / 80 gsm de papier. Ne percez pas plus de (1) couvertures transparentes à la fois pour éviter les blocages.
5. Si le perforateur se bloque, le voyant rouge s'allume pour indiquer que la machine est bloquée. La machine inversera automatiquement les poinçons pour débloquer l'appareil et le voyant rouge restera allumé. Retirez le papier et poussez le bouton de perforation pour réinitialiser la machine. Le voyant rouge s'éteindra indiquant que la machine est prête à perforer. Réduisez le nombre de feuilles et répétez les étapes 2 à 4 pour éviter les blocages pour les passages suivants.
6. À la fin de la perforation, éteignez la machine en appuyant sur l'interrupteur MARCHE / ARRÊT (ON / OFF) à l'arrière de la machine.

#### D. DÉTERMINEZ LA TAILLE DU PEIGNE DE PLASTIQUE (voir la figure 3)

1. Tournez la poignée de reliure vers vous pour ouvrir les crochets en les éloignant du support de peigne.

2. Placez le document (y compris les couvertures) droit contre le support de peigne du côté droit en alignant l'échelle de taille de reliure. Tournez le levier de reliure loin de vous pour refermer les crochets jusqu'à ce qu'ils entrent en contact avec le document.
3. Lisez la ligne la plus rapproché du document et suivez-la jusqu'à la droite de la taille d'élément de reliure à peigne correspondante. C'est la taille d'élément de reliure à peigne requise pour relier ce document. Votre CombBind C-110 peut relier des livres jusqu'à 300 feuilles. Ou 1 1/2 po (38 mm). Pour de meilleurs résultats, utilisez toujours les couvertures de marque GBC avec les peignes de reliure de couleur assortie GBC.

#### E. RELIER (voir la figure 4)

1. Placez l'élément de reliure à peigne de plastique derrière le peigne vertical avec la partie ouverte de l'élément face à vous.
2. Tournez le levier de reliure vers vous jusqu'à ce que l'élément de reliure à peigne s'ouvre suffisamment pour insérer votre document.
3. Placez la couverture avant (côté fini vers le bas) sur les doigts d'élément de reliure ouverts. Placez les pages du document (face vers le bas) sur l'élément. Répétez pour les documents plus larges tel que requis. Placez la couverture arrière (côté fini vers le haut) sur les doigts d'élément de reliure ouverts, à la fin.
4. Tournez le levier de reliure en l'éloignant de vous pour le remettre en position originale afin de fermer l'élément de reliure.
5. Retirez le livre en soulevant vers le haut. Votre document est maintenant terminé.
6. Lorsque vous vous êtes familiarisé avec votre CombBind C-110 vous trouverez que vous pouvez relier en perforant ce qui augmentera votre productivité.

#### F. VIDEZ LE TIROIR À REBUTS (voir les figures 2 et 5)

1. Votre CombBind C-110 a un tiroir de rebuts du côté droit de l'appareil (voir la figure 5). Lorsqu'il est plein de retailles de papier perforé, un voyant rouge s'allume (voir la figure 2). Tirez-le délicatement pour l'ouvrir et retirez-le de la machine, videz-le et remettez-le en place jusqu'à ce qu'il s'engage dans la machine.

#### G. ENTRETIEN ET RÉPARATION

1. Pour toute réparation, contactez un représentant de service autorisé GBC.

## Spécifications C110e

Largeur max. de papier :	11,7 po (297 mm - A4)
Capacité du perforateur, papier :	15 feuilles (20 lb / 80 gsm)
Capacité de reliure :	300 feuilles ( 1 1/2 po / 38 mm)
Poids net :	20 lb / 9,1 kg
Dimensions (H x Larg x Prof) :	16 po (406 mm) x 14 po (356 mm) x 9 po (229 mm)
Sujet à changements techniques sans préavis.	



## Limited Guarantee

This machine is guaranteed for one year, subject to normal use. The determination of what is 'normal use' and whether or not a product is judged to be faulty, either through normal wear and tear or by being defective at the point of purchase or otherwise, is entirely at the discretion of the General Binding Corporation, on a case-by-case basis. Proof of date of purchase will be required. Repairs or alterations made by persons not authorized by GBC will invalidate the guarantee. It is our aim to ensure that our products perform to the specifications stated. This guarantee does not affect the legal rights which consumers have under applicable national legislation governing the sale of goods.

---

### E

## Garantía Limitada

Esta máquina está garantizada durante 1 año bajo un uso normal. La determinación de lo que significa "uso normal" y si un producto se considera defectuoso, ya sea a través del uso y desgaste normal o por estar defectuoso en el punto de compra o de otro modo, queda a total criterio de General Binding Corporation, basándose en cada caso en particular. Se requerirá una prueba de la fecha de compra. Las reparaciones o modificaciones realizadas por personas no autorizadas por GBC invalidarán la garantía. Nuestro objetivo es que nuestros productos funcionen según las especificaciones indicadas. Esta garantía no afecta los derechos legales que los consumidores tengan bajo la legislación nacional vigente sobre la venta de artículos.

---

### F

## Garantie limitée

Le fonctionnement de cette machine est garanti pendant un an à compter de la date d'achat, sous réserve de conditions normales d'utilisation. General Binding Corporation sera seule responsable de déterminer de manière ponctuelle ce qui constitue un « usage normal » et si le produit est défectueux ou non, suite à une usure normale ou à un défaut au point d'achat ou autre. La preuve de la date d'achat sera demandée. Les réparations ou modifications effectuées par des personnes non autorisées par GBC invalideront la garantie. Notre objectif est de nous assurer que nos produits réalisent les performances déclarées. Cette garantie n'affecte pas les droits légaux des consommateurs au titre de la législation nationale en vigueur régissant la vente des biens de consommation.



Commercial &  
Consumer Group

Skokie, IL 60077

[www.gbc.com](http://www.gbc.com)

Made in/Fabriqué en/Hecho en/China