



**BOARD TRIM 50
&
Vertical Foam Trim PLUS 125**

Parts List



GBC IS AN ACCO BRANDS COMPANY



Board Trim 50

**Newer models =
Neolt Vertical Foam Trim Plus 125
(see drawings before parts list)**

**Older models =
Neolt Vertical Foam Trim 125
(see drawings after parts list)**



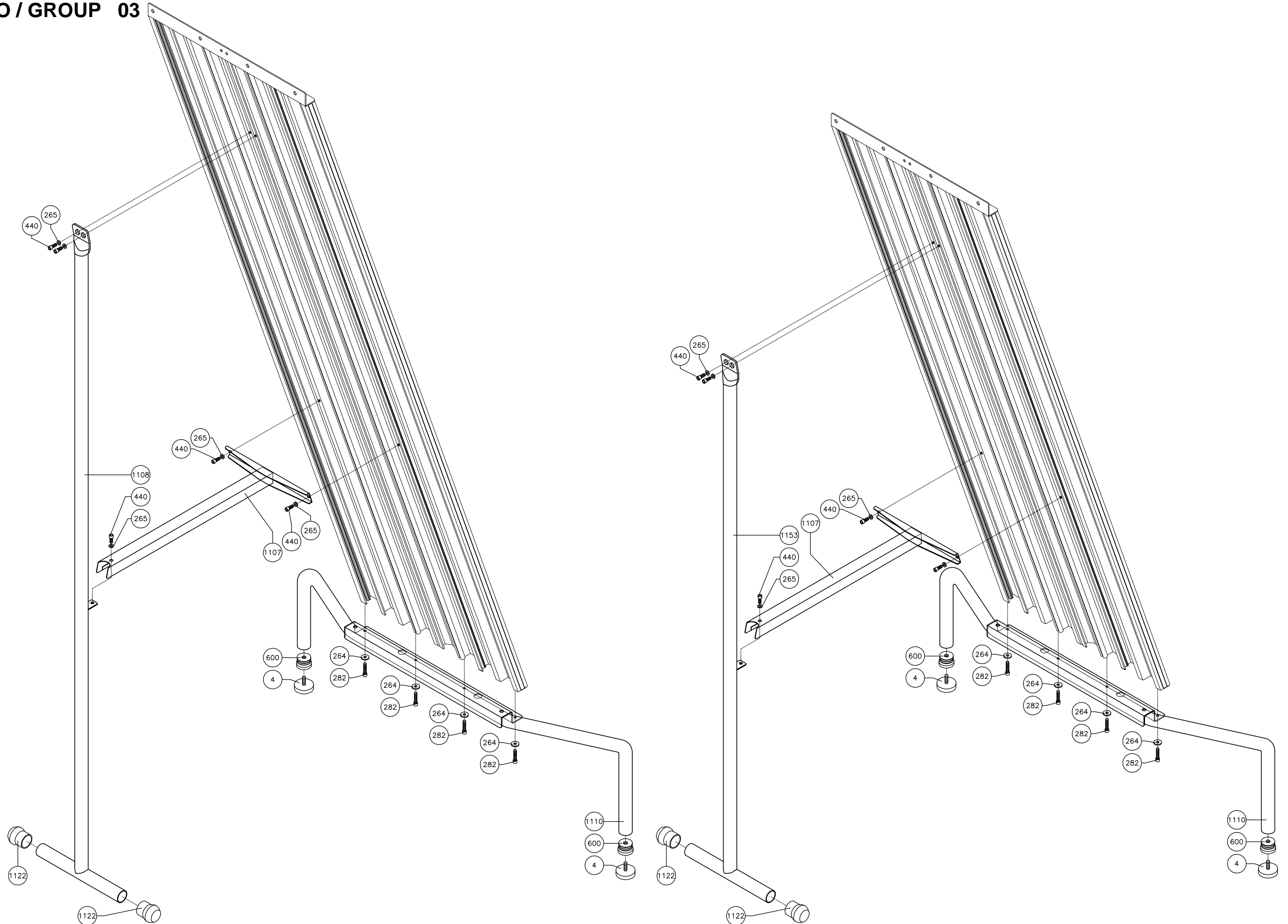
GBC IS AN ACCO BRANDS COMPANY

C

vertical foam trim PLUS 125 160

- REV.2 - 01/2003

GRUPPO / GROUP 03



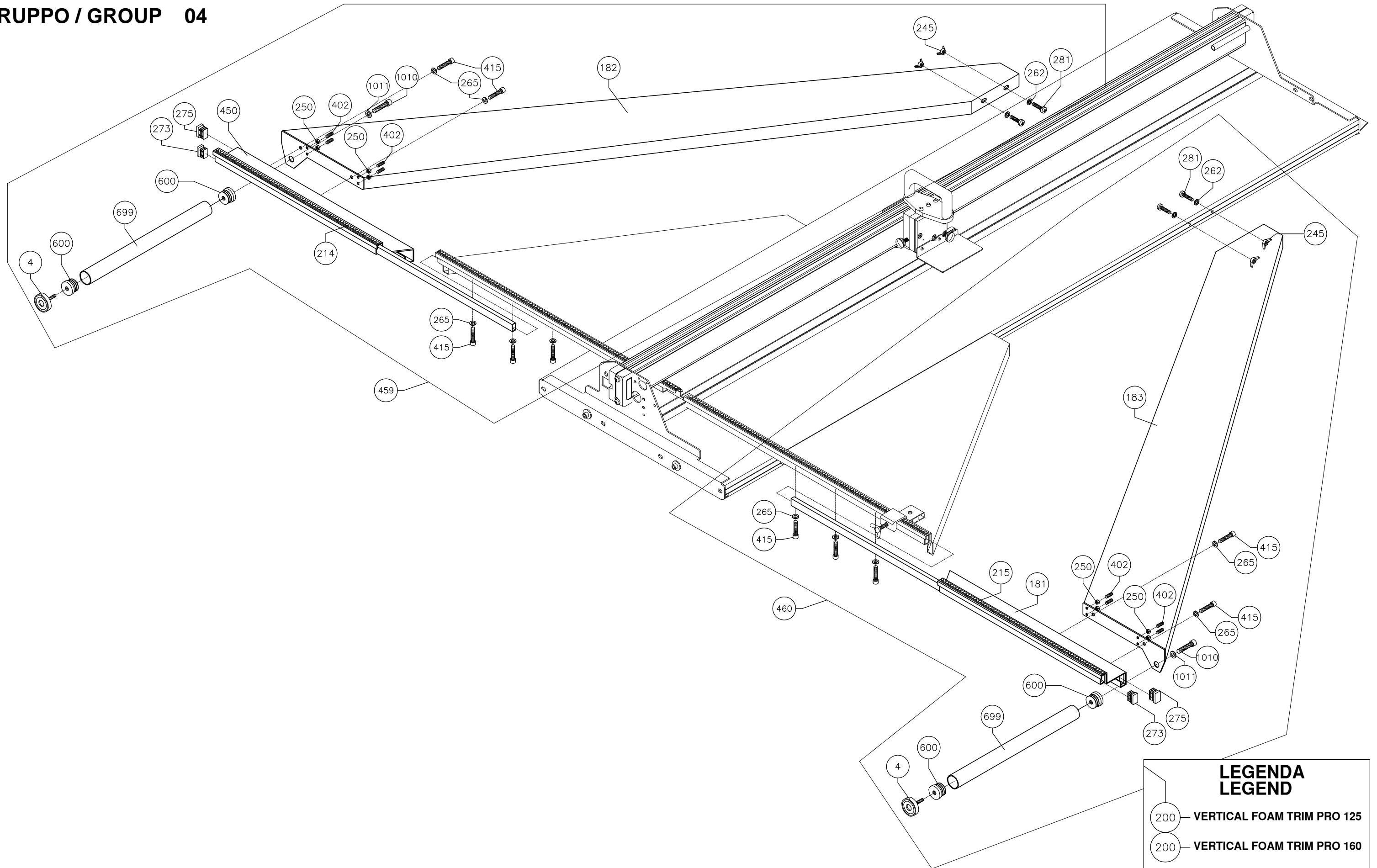


vertical foam trim PLUS 125 160

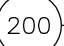
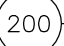

- OPTIONAL

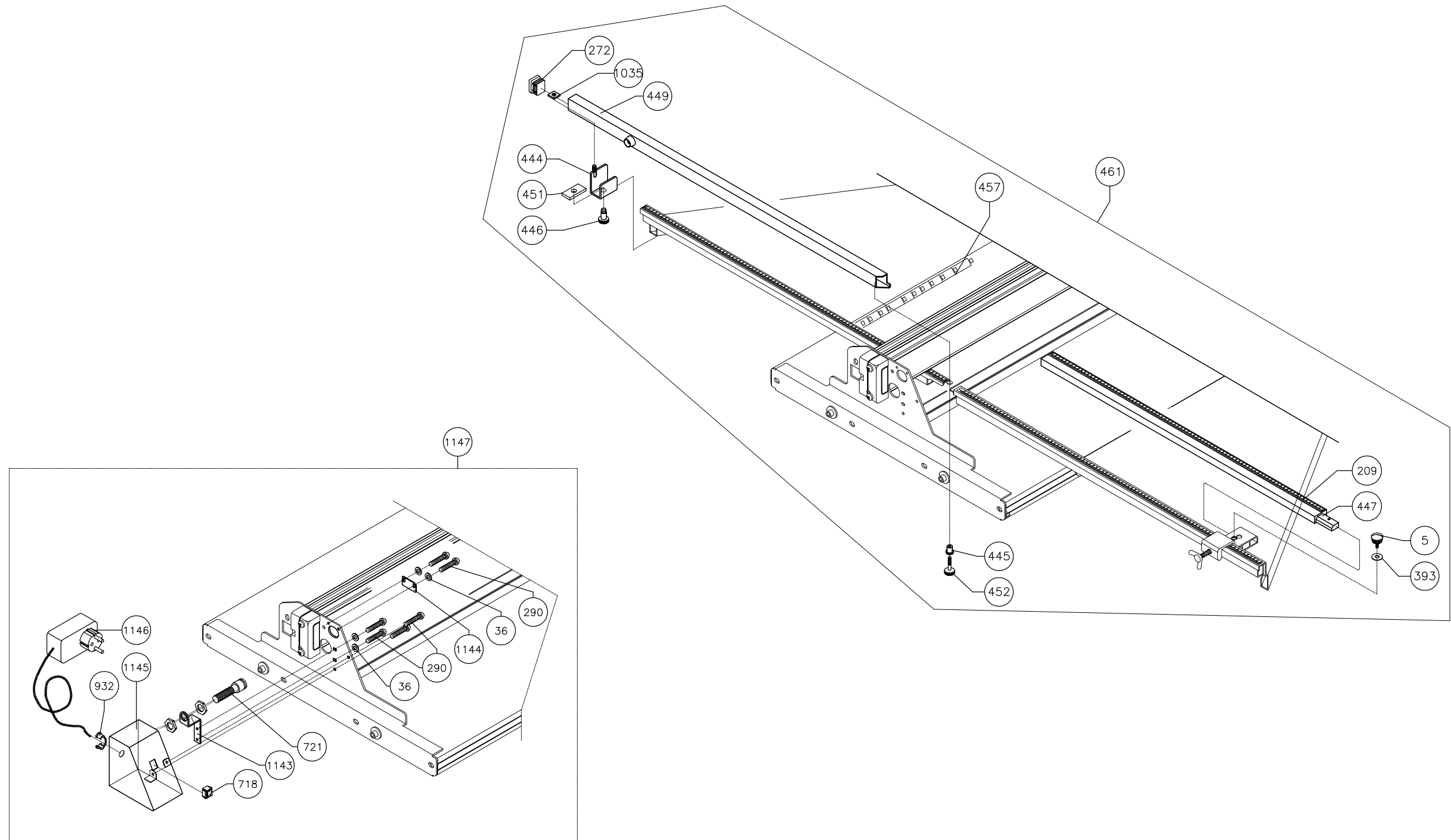
- REV.1-2002

GRUPPO / GROUP 04



**LEGENDA
LEGEND**

-  VERTICAL FOAM TRIM PRO 125
-  VERTICAL FOAM TRIM PRO 160
-  ASSIEME
ASSEMBLY

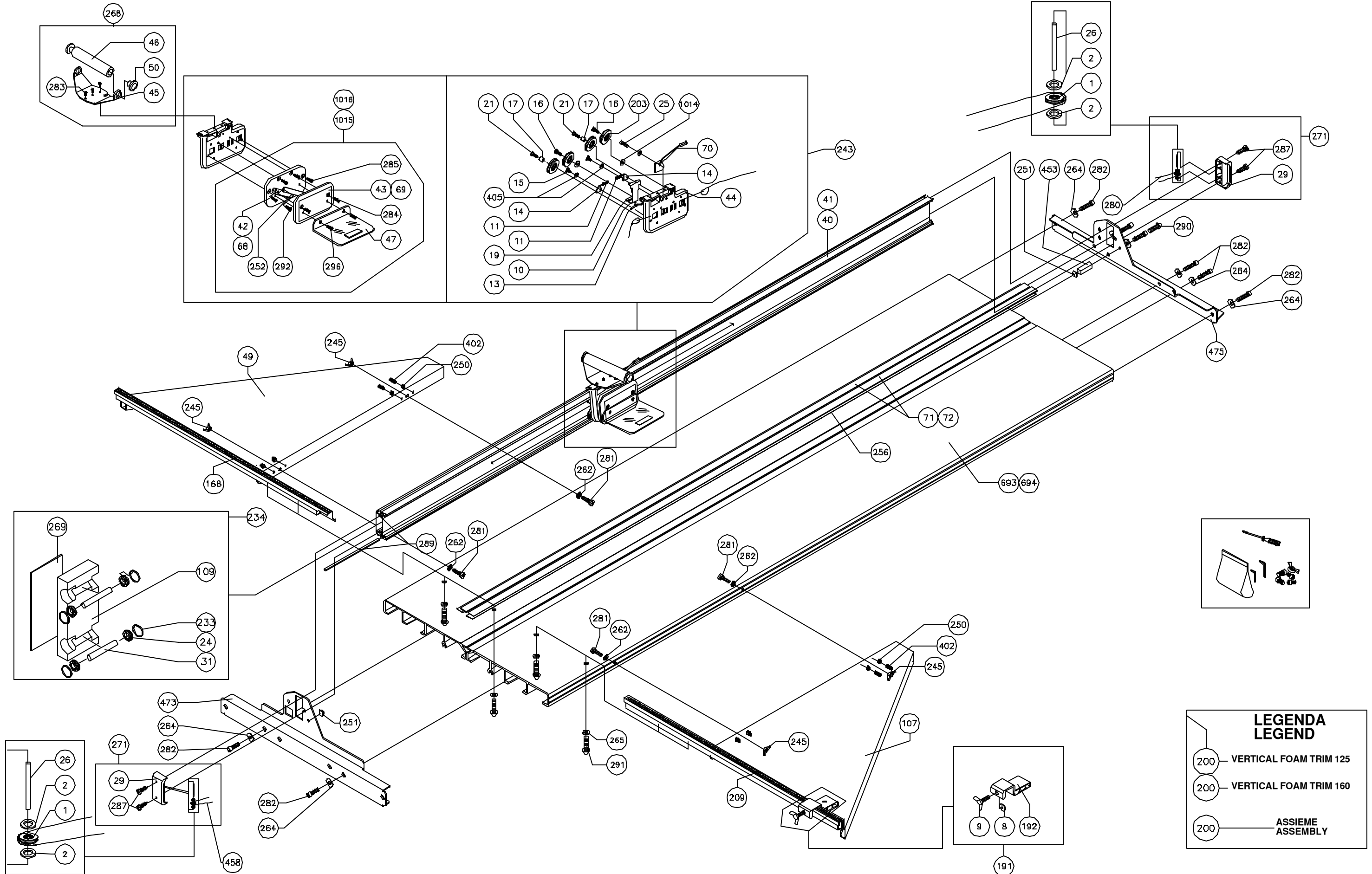


LEGENDA LEGEND	
(200)	VERTICAL FOAM TRIM PRO 125
(200)	VERTICAL FOAM TRIM PRO 160
(200)	ASSIEME ASSEMBLY

B vertical foam trim 125 160

- REV.2-2001

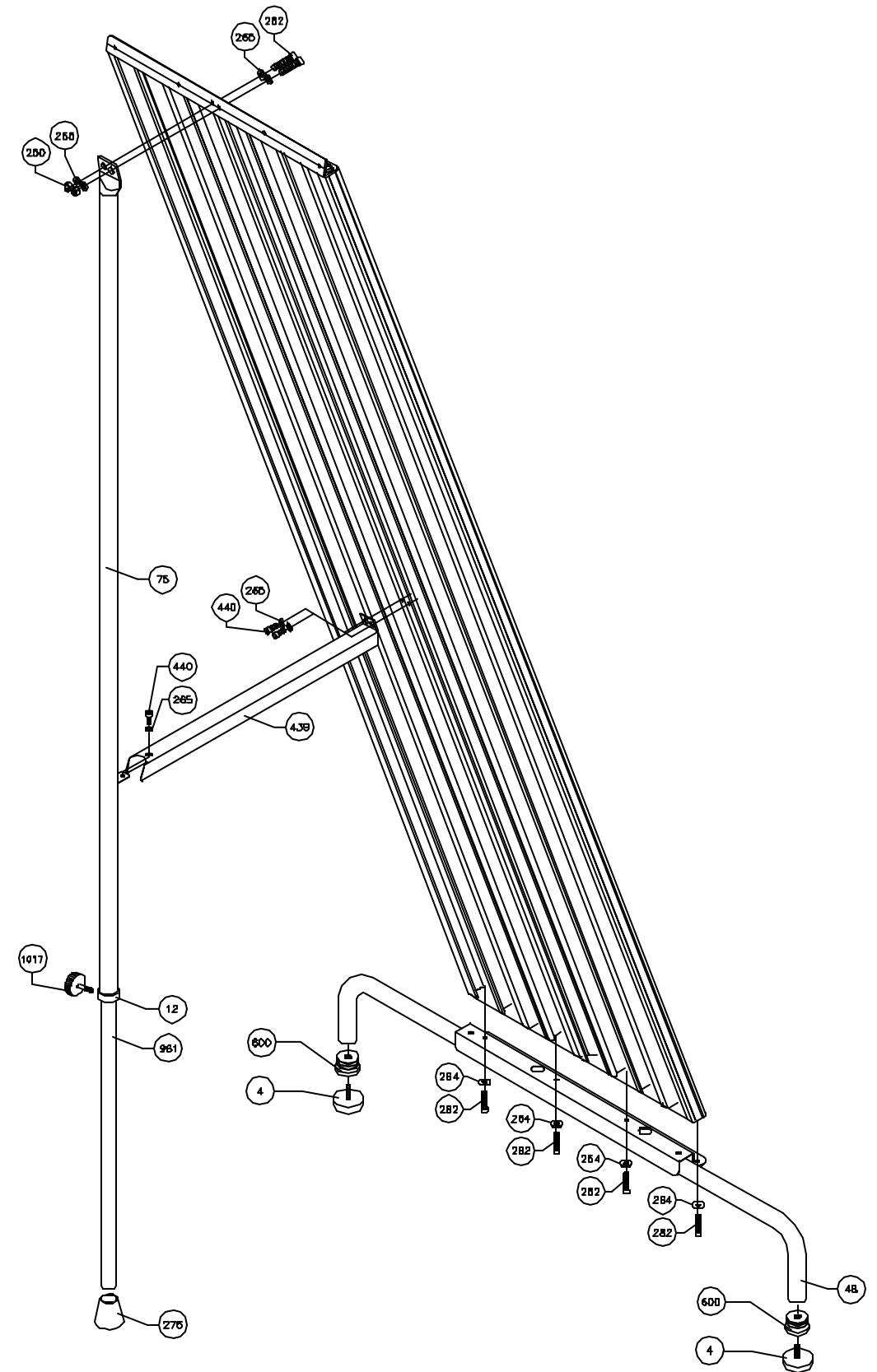
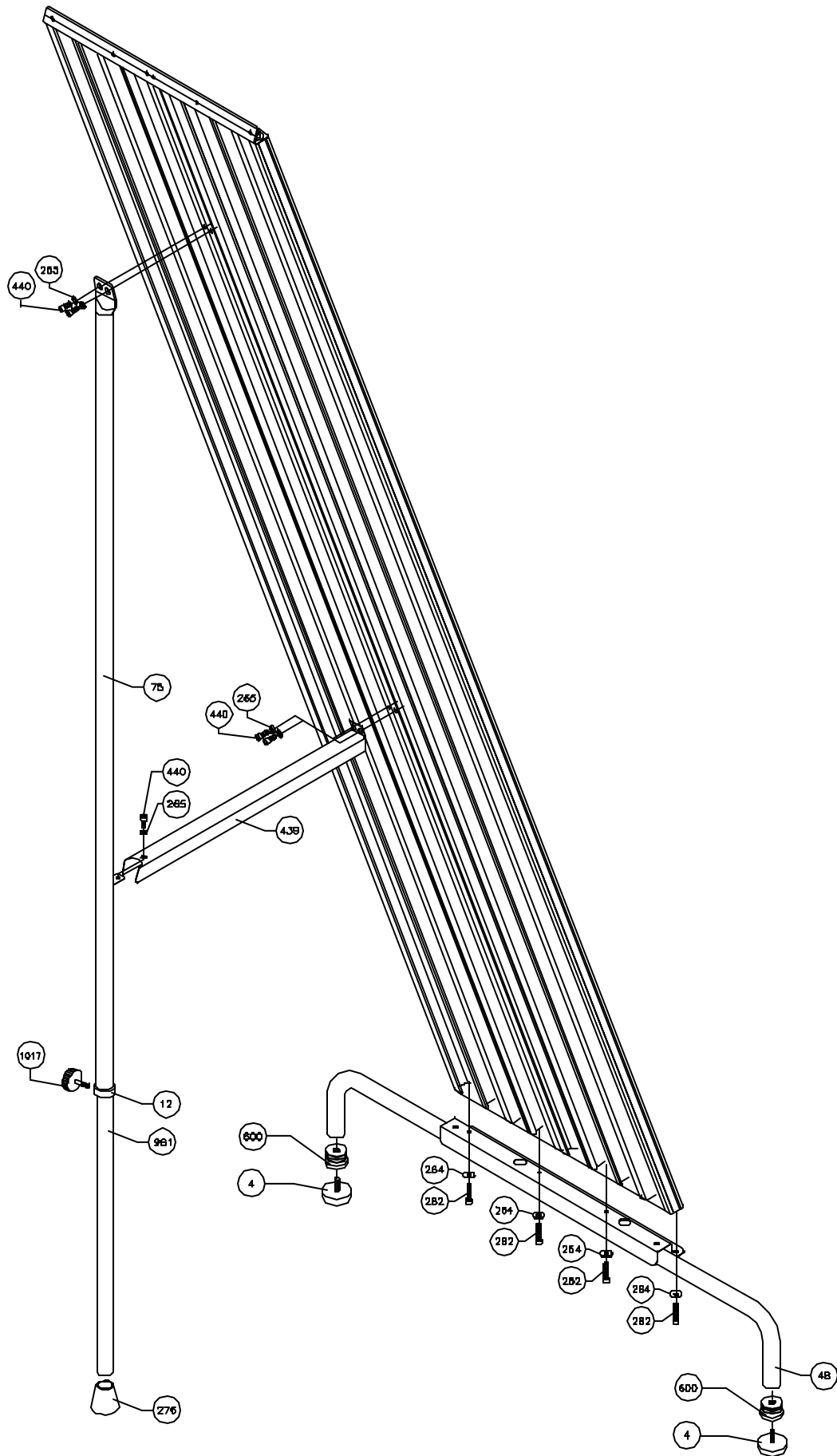
GRUPPO / GROUP 01



B vertical foam trim 125 160

- REV.3 - 2001

GRUPPO / GROUP 03

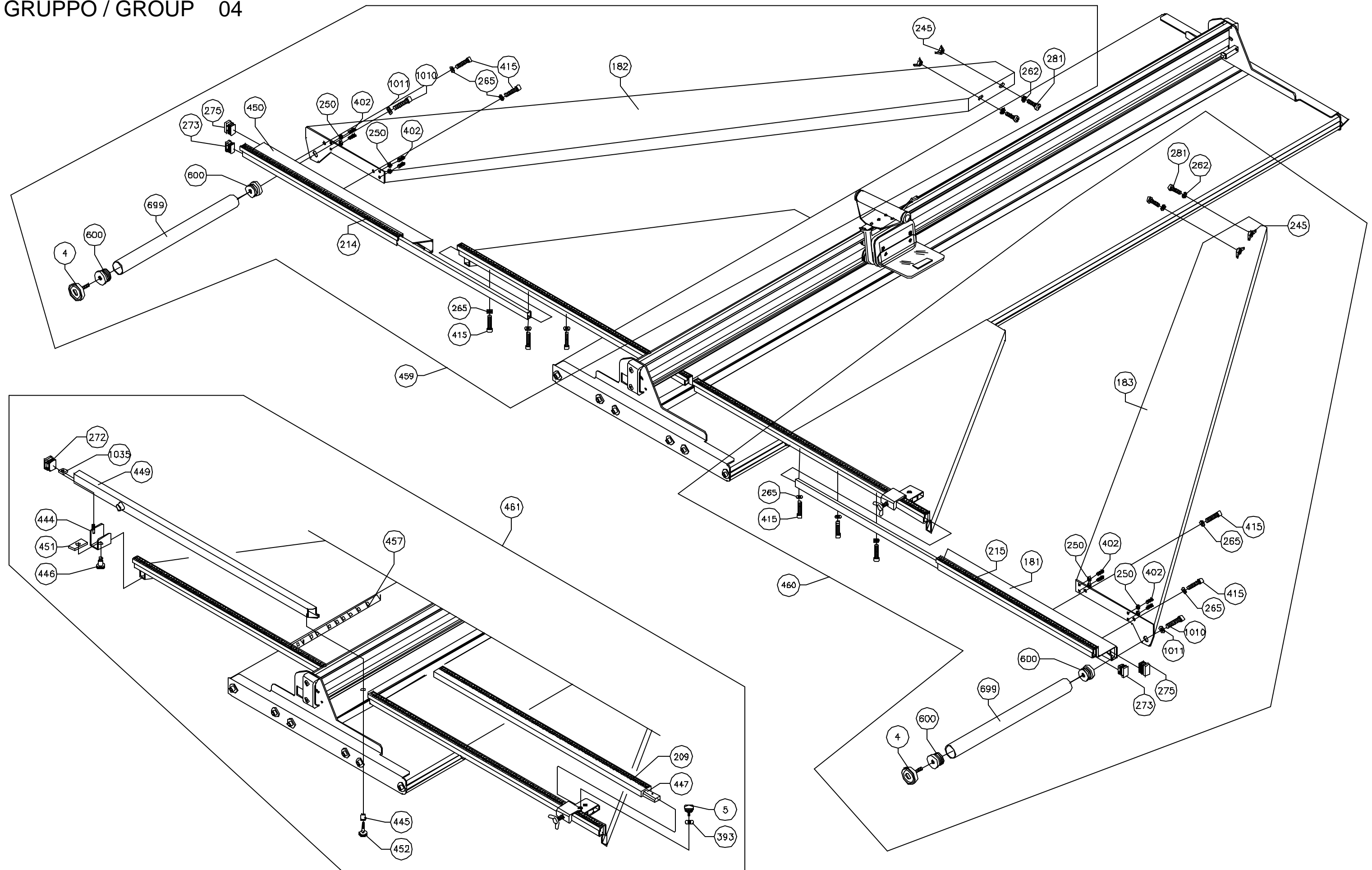


B vertical foam trim 125 160

- OPTIONAL

- REV.3-2001

GRUPPO / GROUP 04





TECHNICAL SERVICE & SUPPORT BULLETIN

500 Bond St.
Lincolnshire, IL. 60069

T.S.S.B. NO.	15000	DATE:	7/2/04
MODEL:	BOARD TRIM 50		
SUBJECT:	BLADE PART NUMBER	PAGE:	1 OF 1

Some of the Board Trim 50's may cut boards leaving a ragged edge because the bevel on the blade is less than acceptable. Changing the **BLADE (P/N 1740579)** will rectify this problem.