

9.0 Parts Information

The parts list is in numerical order. The parts illustration are in assembly order. If a part you require does not exist in the parts list or in the parts illustration section, contact you local service representative for assistance.



WARNING: Illustrated parts drawings are to be used only for ordering parts. They should not be used to perform repair work yourself. Contact your local service representative for service.



INFORMATION: The numeric value in the (), represent quantity per machine, not per assembly.

9.1 Parts list

| Part Number | Item Description | Qty. |
|-------------|--|------|
| 601211157 | SURE BACK COVER SUPPORT | 2 |
| 601230131 | DC655 Base | 1 |
| 601230221 | Anti-Curl Device Side Panel(Left) | 1 |
| 601230222 | Anti-Curl Device Side Panel(Right) | 1 |
| 601230311 | HRS Anti-Curl Device Outer Case(Left) | 1 |
| 601230312 | HRS Anti-Curl Device Outer Case(Right) | 1 |
| 601230501 | Eccentric Hook(Left) | 1 |
| 601230502 | Eccentric Hook(Right) | 1 |
| 601230521 | Infrared Heater Support | 2 |
| 601230525 | Hot Roller Hook | 2 |
| 601230527 | Pull Roller Hook | 2 |
| 601230702 | Inner Tension Plate | 3 |
| 601230708 | TENSION BLOCK STOPPER | 2 |
| 601230802 | Film Shaft Support Plate | 2 |
| 601230813 | OFFICE HRS Auxiliary Gear Support | 1 |
| 601230820 | DC Bearing Support(L) | 1 |
| 601230823 | DC Bearing Support(R) | 1 |
| 601230825 | Gear Support | 1 |
| 601230849 | DECURLING BAR SUPPORT(L) | 1 |
| 601230850 | DECURLING BAR SUPPORT(R) | 1 |
| 601250101 | SENSOR BRACKET | 1 |
| 601250102 | SIDE PLATE(L) | 1 |
| 601250103 | SIDE PLATE(R) | 1 |
| 601250104 | H/R SUPPORT | 2 |
| 601250105 | P/R SUPPORT | 2 |
| 601250107 | OUTSIDE TENSION PALTE | 2 |
| 601250171 | MAGNETIC BRACKET(R) | 1 |
| 601250172 | MAGNETIC BRACKET(L) | 1 |

| Part Number | Item Description | Qty. |
|-------------|-----------------------------------|------|
| 601250173 | ROLLER COVER BLOCK | 2 |
| 601250174 | ROLLER COVER SUPPORT(R) | 1 |
| 601250175 | ROLLER COVER SUPPORT(L) | 1 |
| 601250177 | ROLLER COVER BRACKET(FRONT) | 2 |
| 601250178 | TABLE LEVER | 1 |
| 601250179 | TABLE LEVER BRACKET | 1 |
| 601250181 | J-CHANNEL COVER(L) | 1 |
| 601250182 | J-CHANNEL COVER(R) | 1 |
| 601250191 | DC SHIELD COVER BRACKET(L) | 1 |
| 601250192 | DC SHIELD COVER BRACKET(R) | 1 |
| 601250193 | DC SHIELD COVER | 1 |
| 601310508 | MICRO S/W Support | 1 |
| 604022032 | PAPER GUIDE KNOB | 2 |
| 604022101 | SIDE COVER(L) | 1 |
| 604022102 | SIDE COVER(L) | 1 |
| 604022103 | TENSION KNOB | 2 |
| 604022106 | PAPER GUIDE | 1 |
| 604022109 | TABLE LEVER GUIDE | 1 |
| 604036111 | 655 FRONT COVER | 1 |
| 604036115 | 655 ROLLER COVER CAP | 1 |
| 604036116 | 655 FRONT TABLE | 1 |
| 604036117 | 655 REAR TABLE | 1 |
| 604036119 | 655 ROLLER COVER | 1 |
| 604036171 | DC655 REAR COVER | 1 |
| 604036172 | DC655 ROLLER COVER CAP | 1 |
| 604036173 | DC655 REAR TABLE | 1 |
| 604037021 | AL 1"CORE BUSHING | 4 |
| 604620102 | MATAL MAGNET | 2 |
| 607040503 | P/ROLLER | 2 |
| 607040513 | H/ROLLER | 1 |
| 607040522 | DC-655 T/ROLLER | 1 |
| 607040541 | DC-655Q FEEDING ROLLER(UP) | 1 |
| 607040542 | 650HRS SLIDING ROLLER(LOW) | 1 |
| 6090202 | DC GEARED MOTOR(DM010) | 1 |
| 609040201 | Cooling Fan AC 80mm(Square) | 5 |
| 609040206 | Cooling Fan AC (230V) | 5 |
| 610010210 | TRANSFORMER(230V) | 1 |
| 610010211 | TRANSFORMER GM6635A-12 | 1 |
| 613010905 | OFFICE HRS Roller Hook(Upper)(PL) | 2 |
| 613010906 | OFFICE HRS Roller Hook(Lower)(PL) | 2 |
| 613011005 | ROLL Eccentric Lever Stopper (PL) | 1 |
| 613011011 | Eccentric Bushing(PL) | 2 |
| 613011012 | Eccentric Lever(PL) | 1 |
| 613011050 | DC Eccentric Bushing(PL) | 2 |
| 613030121 | Front Tray Support Rod(PL) | 1 |
| 613030123 | OFFICE 650HRS Auxiliary Rod(PL) | 1 |

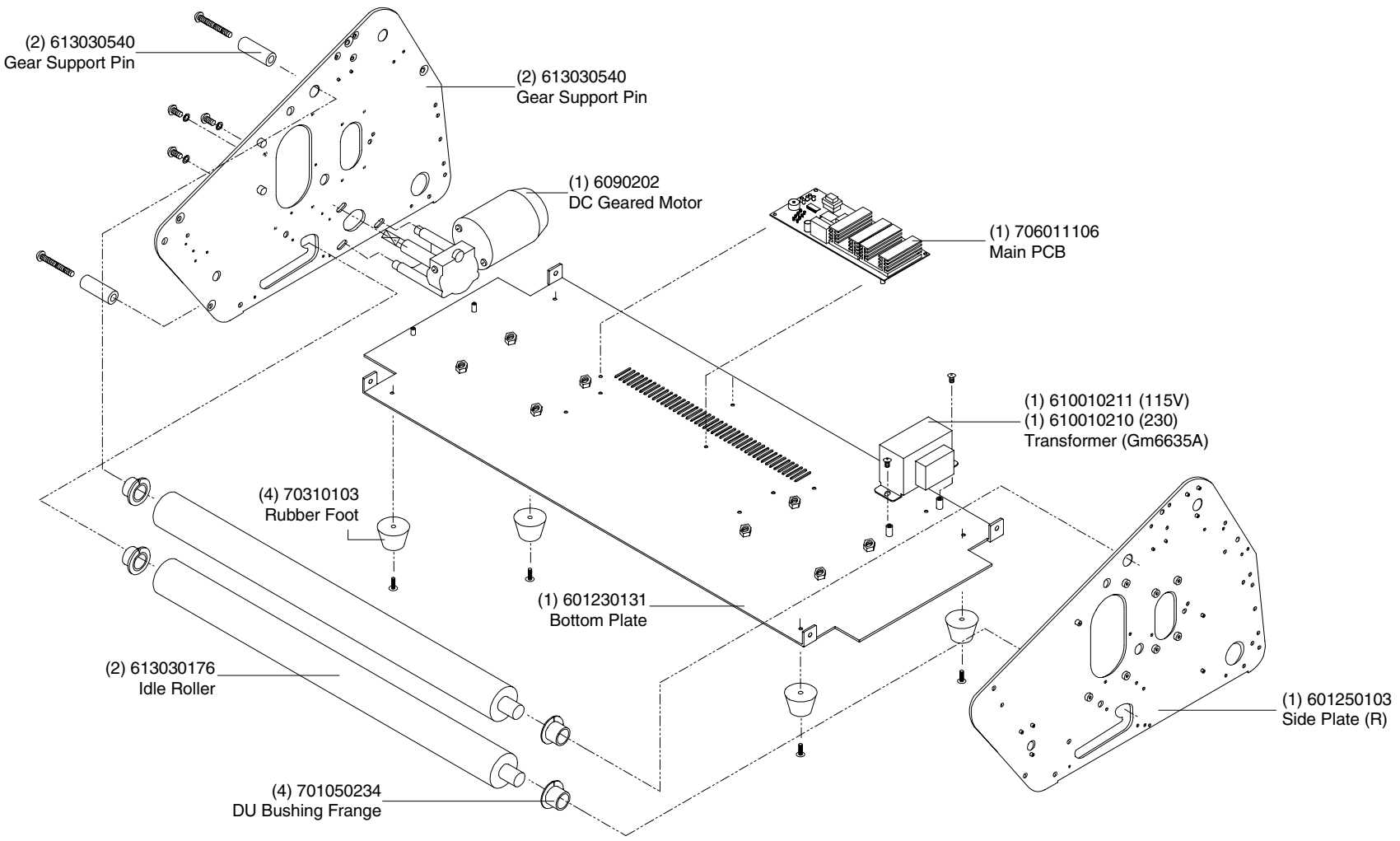
| Part Number | Item Description | Qty. |
|-------------|--|------|
| 613030124 | DC-655Q TIE BAR(PL) | 1 |
| 613030144 | DC-655Q DECURLING BAR(PL) | 1 |
| 613030145 | DC Auxiliary Support Gear Pin(PL) | 1 |
| 613030176 | Idler Bar(PL) | 2 |
| 613030202 | HEX FILM SHAFT(PL) | 2 |
| 613030301 | Film Shaft Bushing(PL) | 3 |
| 613030304 | OFFICE-ROLL H/R Bushing(PL) | 4 |
| 613030305 | OFFICE-ROLL P/R Bushing(PL) | 4 |
| 613030402 | Eccentric Shaft(PL) | 1 |
| 613030408 | DC-655Q Eccentric Shaft(PL) | 1 |
| 613030522 | OFFICE HRS Tension Control Handle(PL) | 1 |
| 613030523 | OFFICE HRS Friction Support(PL) | 2 |
| 613030527 | CORE BUSH BOLT(PL) | 4 |
| 613030530 | Tension Control Block(PL) | 2 |
| 613030536 | DC Roller Pressure Lever(PL) | 1 |
| 613030537 | Film Tension Bolt(PL) | 2 |
| 613030540 | GBC4265 Auxiliary Gear Support Pin(PL) | 2 |
| 6130452 | Auxiliary Gear Bushing HR | 1 |
| 6380203 | START KIT 655Q/(25mm) | 2 |
| 701010104 | BALL BEARING | 2 |
| 701010105 | BALL BEARING | 2 |
| 701020210 | NIDDLE ROLL BEARING | 2 |
| 701050234 | DU BUSHING FRANGE | 4 |
| 701050239 | DU BUSHING FRANGE | 4 |
| 701050265 | DU BUSHING FRANGE | 4 |
| 701060207 | OILLESS BUSHING FRANGE | 2 |
| 701070131 | ROLLER CHAIN | 1 |
| 701070136 | ROLLER CHAIN | 1 |
| 701080117 | STEEL SPUR GEAR | 1 |
| 701080207 | STEEL 1/4CHAIN GEAR | 1 |
| 701080271 | STEEL 1/4CHAIN GEAR | 1 |
| 701080301 | STEEL SPUR+CHAIN GEAR | 1 |
| 701080303 | STEEL SPUR+CHAIN GEAR | 1 |
| 701080304 | STEEL SPUR+CHAIN GEAR | 1 |
| 701090101 | ROLLER SPRING | 2 |
| 701090103 | ROLLER SPRING | 8 |
| 701090141 | ROLL Film Pipe Spring | 1 |
| 701090142 | Film Pipe Spring | 3 |
| 701090158 | Compressed Coil Spring | 2 |
| 701090169 | LEVER SPRING | 1 |
| 701090606 | SPRING E RING | 2 |
| 701090706 | SPRING S RING | 2 |
| 701090710 | SPRING S RING | 4 |
| 701090714 | SPRING S RING | 2 |
| 701090716 | SPRING S RING | 4 |
| 701100212 | M/S ROUND HEAD M3.0RH | 4 |

| Part Number | Item Description | Qty. |
|-------------|------------------------------|------|
| 701100320 | M/S ROUND HEAD M4.0RH | 3 |
| 701100424 | M/S ROUND HEAD M5.0RH | 2 |
| 701100806 | M/S FLAT HEAD M3.0FH | 3 |
| 701100904 | M/S FLAT HEAD M4.0FH | 1 |
| 701102004 | T/S ROUND HEAD 1CLASS T3.0RH | 2 |
| 701102508 | T/S FLAT HEAD 1CLASS T4.0FH | 8 |
| 701104112 | T/S ROUND HEAD 2CLASS T4.0RH | 6 |
| 701104507 | T/S FLAT HEAD 2CLASS T4.0FH | 6 |
| 701104803 | T/S TRUSS HEAD 2CLASS T3.0TH | 8 |
| 701104901 | T/S TRUSS HEAD 2CLASS T4.0TH | 13 |
| 701104903 | T/S TRUSS HEAD 2CLASS T4.0TH | 10 |
| 701106302 | SET SCREW HEXAGON SOCKET M5 | 4 |
| 701108022 | BRASS SCREW M-RH | 1 |
| 701108113 | M/S ROUND HEAD M4.0RH | 8 |
| 701108122 | M/S SHOULDER HEAD M4.0FH | 3 |
| 701108133 | SQUARE HEAD M5 | 2 |
| 701109102 | M/S SAMS M4.0RH | 4 |
| 701109104 | M/S SAMS M4.0RH | 23 |
| 701109111 | M/S SAMS M3.0RH | 4 |
| 701109113 | M/S SAMS M5.0RH | 8 |
| 701109114 | M/S SAMS M5.0RH | 8 |
| 701109121 | T/S SAMS 2CLASS T4.0TH | 15 |
| 701109123 | T/S SAMS 2CLASS T4.0RH | 18 |
| 701109131 | M/S SAMS M6.0RH | 3 |
| 701110101 | NUT | 2 |
| 701110102 | NUT | 8 |
| 701110103 | NUT | 5 |
| 701110105 | NUT | 1 |
| 701110202 | PLATE WASHER | 2 |
| 701110203 | PLATE WASHER | 4 |
| 701110204 | PLATE WASHER | 7 |
| 701110402 | STAR WASHER | 1 |
| 703010103 | Rubber Foot (HR/PHOTONEX) | 4 |
| 703010211 | Wire Protection Ring | 2 |
| 703010332 | HOLDER | 4 |
| 703021051 | Eccentric Lever Handle(ROLL) | 1 |
| 703070101 | Friction Plate (Leather) | 6 |
| 704030316 | Cord Plug 125V UL | 1 |
| 704030416 | Cord Plug (230V) | 1 |
| 704060504 | CLOSE END CONNECTOR | 3 |
| 704090102 | POWER S/W ROCKER | 1 |
| 704090111 | POWER S/W ROCKER | 1 |
| 704090320 | RUBBER S/W | 1 |
| 704090411 | MICRO SWITCH | 1 |
| 704090423 | MICRO SWITCH | 2 |
| 704091045 | CIRCUIT BREAKER 10A | 1 |

| Part Number | Item Description | Qty. |
|-------------|----------------------------------|------|
| 704091048 | CIRCUIT BREAKER | 1 |
| 704140403 | CORD STOPPER | 1 |
| 704140601 | CABLE TIE | 10 |
| 704150101 | BI-METAL THERMOSTAT | 2 |
| 704161803 | WIRE ASS'Y EAGLE | 1 |
| 704161809 | WIRE ASS'Y EAGLE | 1 |
| 704161815 | WIRE ASS'Y EAGLE35/65 | 1 |
| 704161831 | WIRE ASS'Y EAGLE35/65SS | 1 |
| 704161832 | WIRE ASS'Y EAGLE35/65SS | 1 |
| 704164703 | WIRE ASS'Y EXCELAM II | 1 |
| 704164707 | WIRE ASS'Y EXCELAM II-655 | 1 |
| 704164709 | WIRE ASS'Y EXCELAM II-655 | 1 |
| 704164710 | WIRE ASS'Y EXCELAM II-655 | 1 |
| 704164711 | WIRE ASS'Y EXCELAM II-655 | 1 |
| 704164712 | WIRE ASS'Y EXCELAM II-655 | 1 |
| 704164719 | WIRE ASS'Y EXCELAM II-655(110V) | 1 |
| 704164720 | WIRE ASS'Y EXCELAM II-655/1055 | 1 |
| 704164727 | WIRE ASS'Y EXCELAM II-DC655 | 1 |
| 704165356 | WIRE ASS'Y SPARTAN | 2 |
| 705031302 | EMI Filter | 1 |
| 705200201 | INFRARED SENSOR | 1 |
| 706011106 | PCB ASS'Y EXCELAM II MAIN | 1 |
| 706011107 | PCB ASS'Y EXCELAM II DISPLAY | 1 |
| 706025063 | INFRARED HEATER ASS'Y(N) | 2 |
| 801010872 | C/T BOX EXCELAM II-655 | 1 |
| 8010410 | Styrofoam EAGLE | 1 |
| 801060111 | Vinyl Warp OFICE-650HRP | 1 |
| 802040339 | GBC AQUILA NAME STICKER | 1 |
| 802105047 | CONTROL PANEL STICKER/EXCELAM II | 1 |
| 803040315 | ROLLER TENSION STICKER | 1 |
| 803040323 | WARNING STICKER | 2 |
| 803040325 | WARNING STICKER | 1 |
| 803040326 | WARNING STICKER | 1 |
| 803040327 | WARNING STICKER | 2 |
| 803040329 | WARNING STICKER | 1 |
| 803040421 | TENSION STICKER | 2 |
| 803040422 | PRESSURE STICKER(LOW) | 1 |
| 803040423 | PRESSURE STICKER(UP) | 1 |

9.2 Illustrated Parts

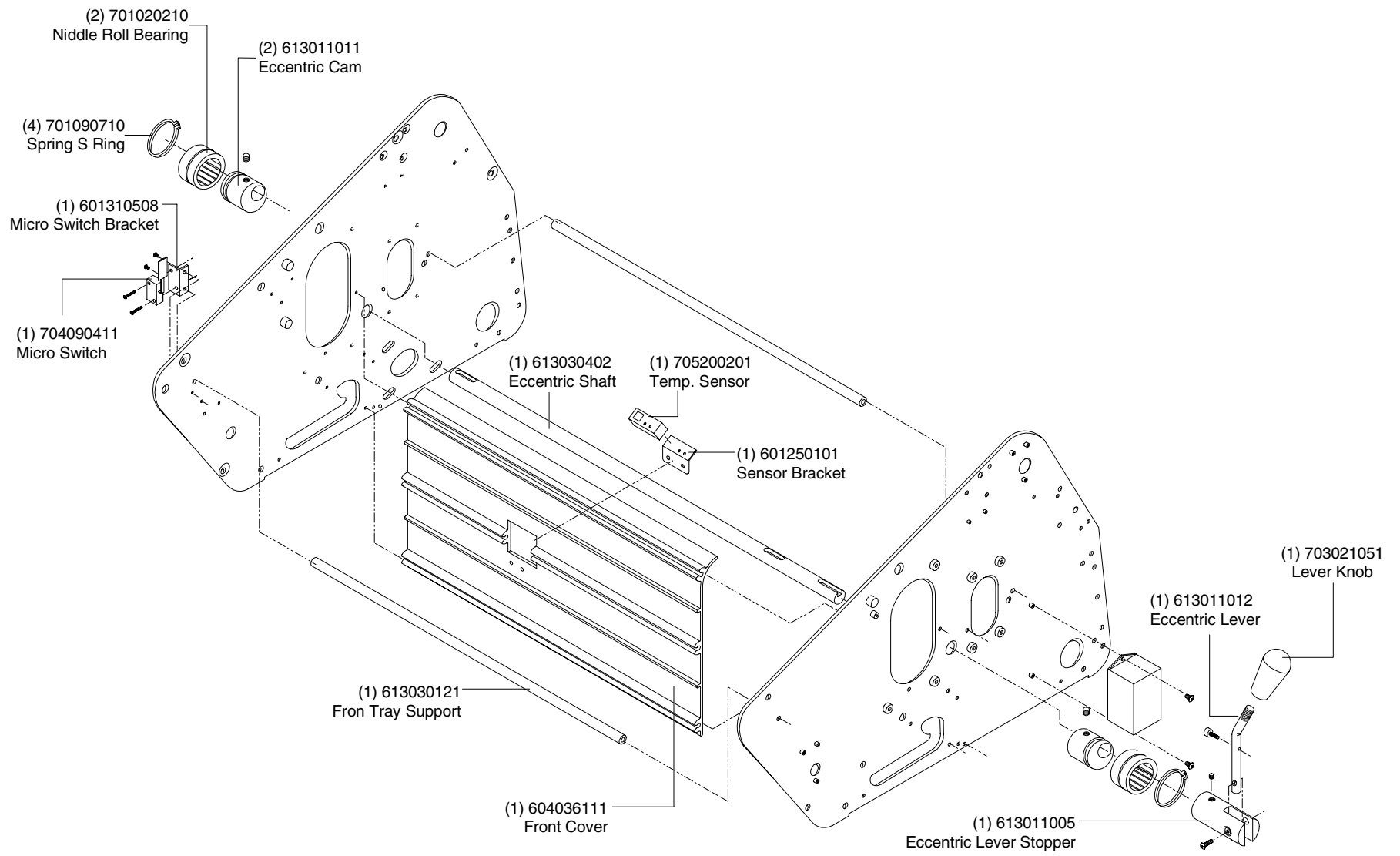
PROPRIETARY
 GBC CLAIMS PROPRIETARY RIGHTS TO THE MATERIAL DISCLOSED ON THIS DRAWING. IT IS ISSUED IN CONFIDENCE FOR ENGINEERING INFORMATION ONLY AND SHALL NOT BE REPRODUCED, COPIED OR DISCLOSED IN WHOLE OR IN PART, OR USED FOR MANUFACTURE OR FOR ANY OTHER PURPOSE WITHOUT WRITTEN PERMISSION FROM GBC. ©



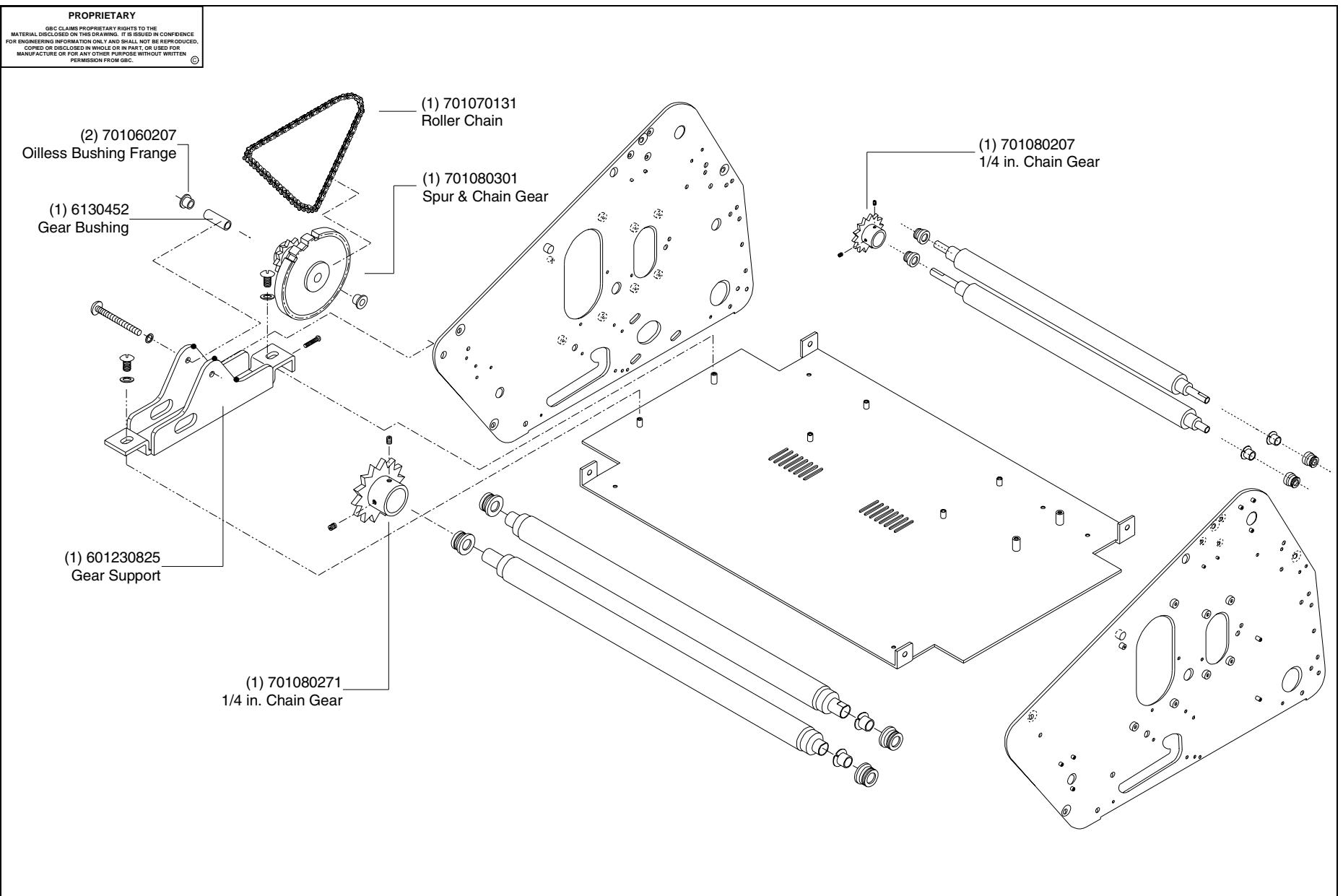
| | | | | | | | |
|--------------------------------------|-------|--------------|------|--|--|--|--|
| UNLESS OTHERWISE SPECIFIED TOLERANCE | | | | INDUSTRIAL PRINT & FINISHING GROUP 4151 Anderson Road, DeForest, WI 53532 | | | |
| DM. AS SHOWN | TOL. | FINISH TO BE | 1/25 | TITLE : Frame Assembly GBC Aquila | | | |
| XX | ±.184 | | | DATE : 01/24/03 | | | |
| X | ±.050 | | | DRAWN BY : N/A | | | |
| XX | ±.010 | | | DWG SCALE : N/A | | | |
| XXX | ±.020 | ANGLES | | DWG : AQU - 001 | | | |
| XXXX | ±.005 | ±.0° | | | | | |

PROPRIETARY

GBC CLAIMS PROPRIETARY RIGHTS TO THE MATERIAL DISCLOSED ON THIS DRAWING. IT IS ISSUED IN CONFIDENCE FOR ENGINEERING INFORMATION ONLY AND SHALL NOT BE REPRODUCED, COPIED OR DISCLOSED IN WHOLE OR IN PART, OR USED FOR MANUFACTURE OR FOR ANY OTHER PURPOSE WITHOUT WRITTEN PERMISSION FROM GBC.



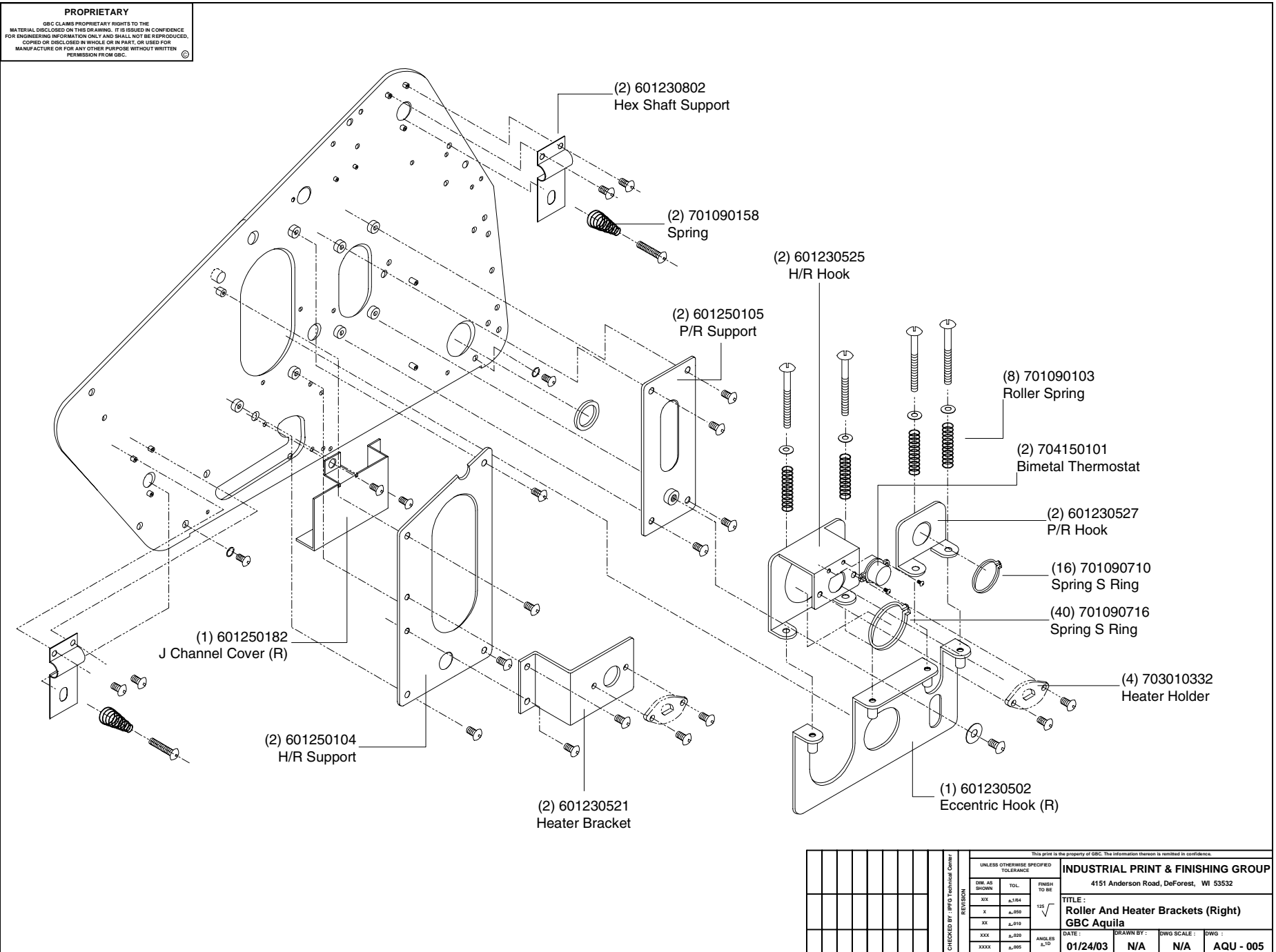
| UNLESS OTHERWISE SPECIFIED TOLERANCE | | | INDUSTRIAL PRINT & FINISHING GROUP | |
|--------------------------------------|-------|--------------|--|--|
| DM. AS SHOWN | TOL. | FINISH TO BE | 4151 Anderson Road, DeForest, WI 53532 | |
| XX | ±.184 | 1/25 | TITLE : Lifting Mechanism And Sensor GBC Aquila | |
| X | ±.050 | | | |
| XX | ±.010 | | | |
| XXX | ±.020 | ANGLES 8-10 | DATE : 01/24/03 DRAWN BY : N/A DWG SCALE : N/A DWG : AQU - 002 | |
| XXXX | ±.005 | | | |



PROPRIETARY
 GBC CLAIMS PROPRIETARY RIGHTS TO THE MATERIAL DISCLOSED ON THIS DRAWING. IT IS ISSUED IN CONFIDENCE FOR ENGINEERING INFORMATION ONLY AND SHALL NOT BE REPRODUCED, COPIED OR DISCLOSED IN WHOLE OR IN PART, OR USED FOR MANUFACTURE OR FOR ANY OTHER PURPOSE WITHOUT WRITTEN PERMISSION FROM GBC.

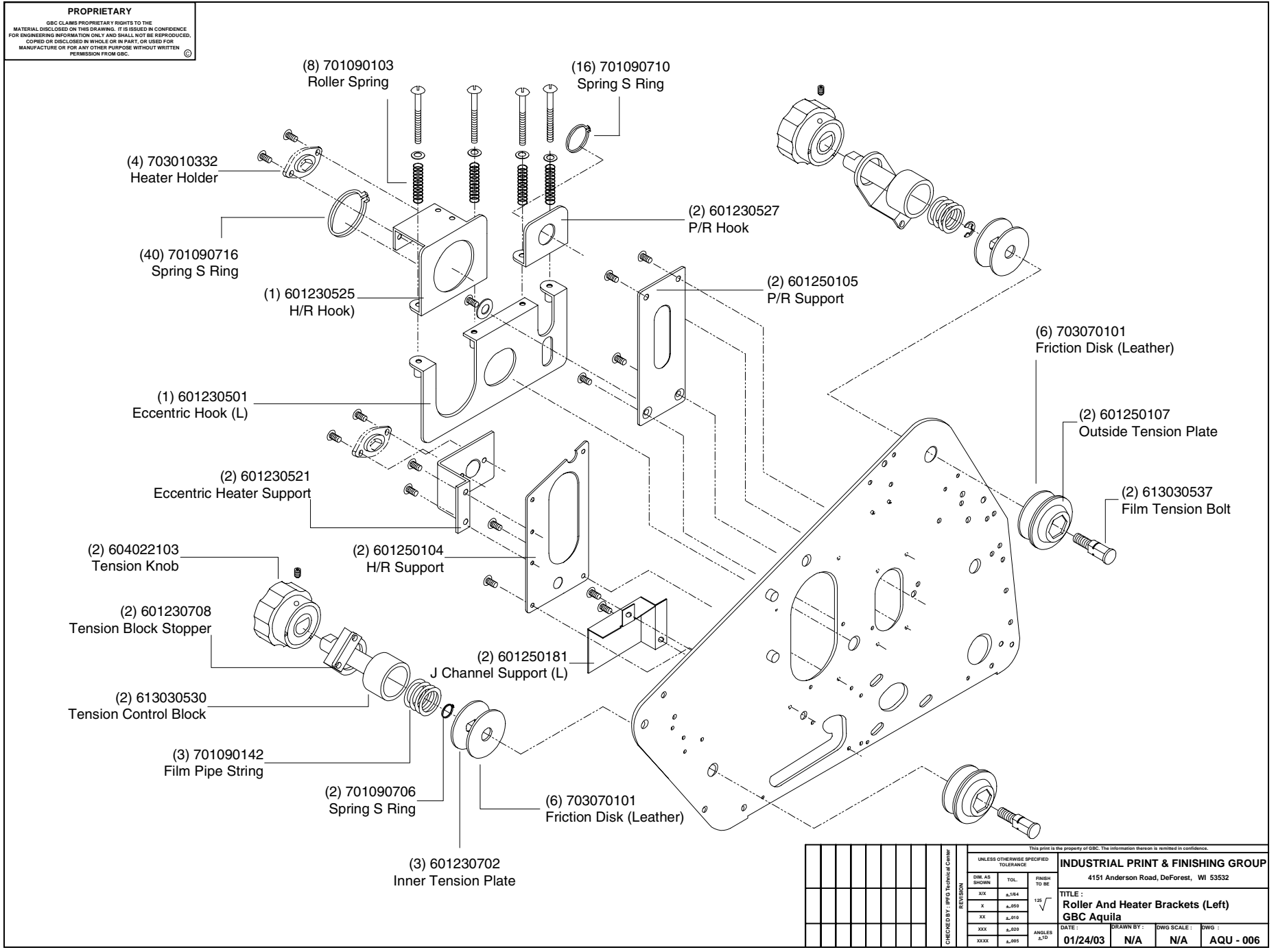
This print is the property of GBC. The information thereon is retained in confidence.

| UNLESS OTHERWISE SPECIFIED TOLERANCE | | | INDUSTRIAL PRINT & FINISHING GROUP | | | |
|--------------------------------------|-------|--------------|--|--|--|--|
| DIM. AS SHOWN | TOL. | FINISH TO BE | 4151 Anderson Road, DeForest, WI 53532 | | | |
| XIX | ±.184 | 1/2√ | TITLE : Chain And Drive Assembly GBC Aquila | | | |
| X | ±.050 | | | | | |
| XX | ±.010 | | | | | |
| XXX | ±.000 | ANGLES 8-10° | DATE : 01/24/03 DRAWN BY : N/A DWG SCALE : N/A DWG : AQU - 004 | | | |
| XXXX | ±.005 | | | | | |

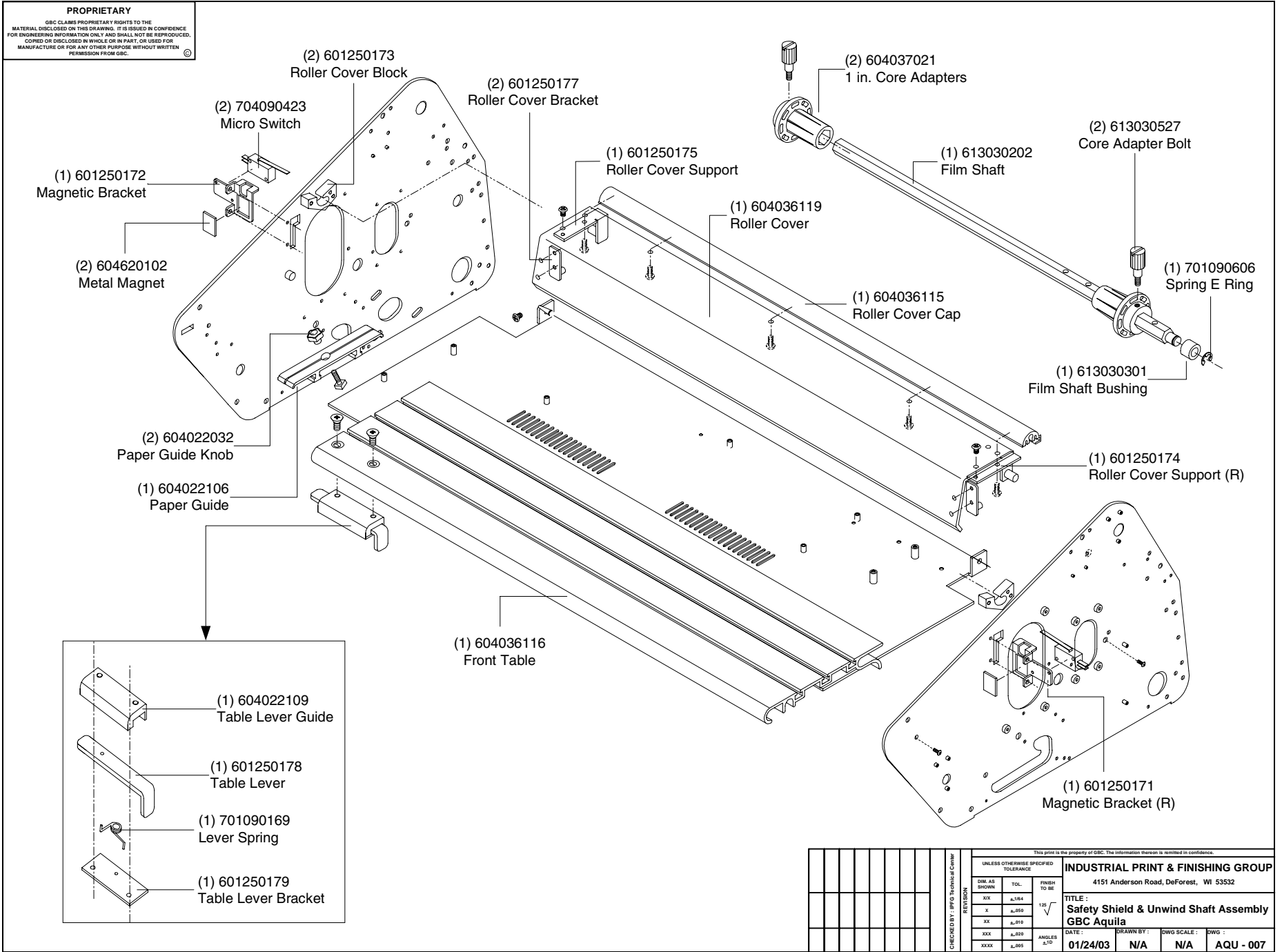


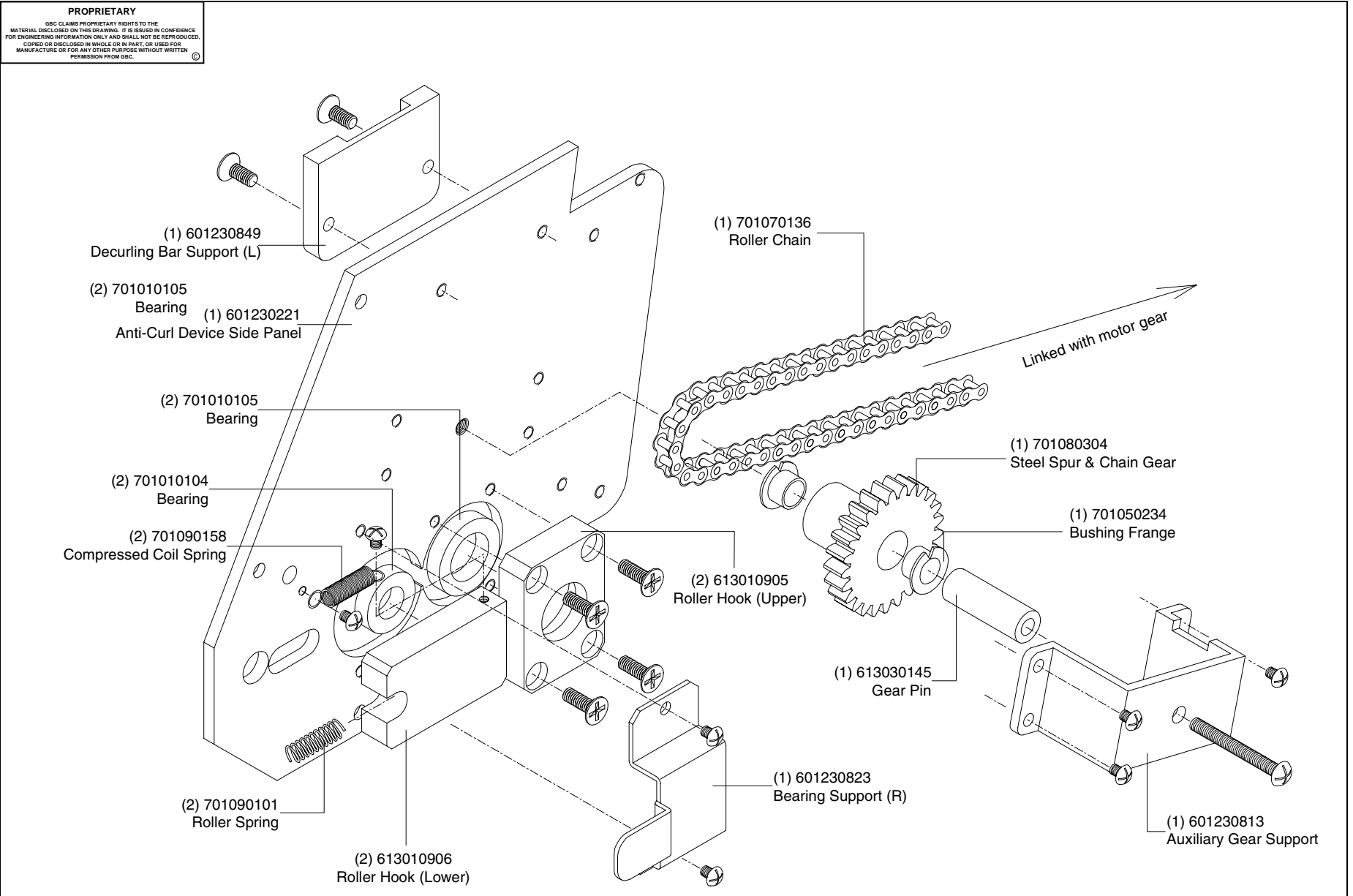
| UNLESS OTHERWISE SPECIFIED TOLERANCE | | | |
|--------------------------------------|-------|--------------|---|
| DWG. AS SHOWN | TOL. | FINGER TO BE | |
| XX | ±.184 | 125 | √ |
| X | ±.050 | | |
| XX | ±.010 | | |
| XXX | ±.020 | ANGLES | |
| XXXX | ±.005 | ±.10 | |

| | | | |
|--|--------------------------|---------------------------|---------------------------|
| This print is the property of GBC. The information thereon is limited in confidence. | | | |
| INDUSTRIAL PRINT & FINISHING GROUP | | | |
| 4151 Anderson Road, DeForest, WI 53532 | | | |
| TITLE : Roller And Heater Brackets (Right) GBC Aquila | | | |
| DATE : 01/24/03 | DRAWN BY : N/A | DWG SCALE : N/A | DWG : AQU - 005 |



| UNLESS OTHERWISE SPECIFIED TOLERANCE | | | INDUSTRIAL PRINT & FINISHING GROUP 4151 Anderson Road, DeForest, WI 53532 | | | |
|--------------------------------------|-------|--------------|---|------|--|--|
| DIM. AS SHOWN | TOL. | FINISH TO BE | TITLE : Roller And Heater Brackets (Left) GBC Aquila DATE : 01/24/03 DRAWN BY : N/A DWG SCALE : N/A DWG : AQU - 006 | | | |
| XX | ±.184 | 125 | | | | |
| X | ±.050 | | | | | |
| XX | ±.010 | | | | | |
| XXX | ±.002 | | | | | |
| XXXX | ±.005 | | ANGLES | ±.50 | | |





PROPRIETARY
 GBC CLAIMS PROPRIETARY RIGHTS TO THE MATERIAL DISCLOSED ON THIS DRAWING. IT IS ISSUED IN CONFIDENCE FOR ENGINEERING INFORMATION ONLY AND SHALL NOT BE REPRODUCED, COPIED OR DISCLOSED IN WHOLE OR IN PART, OR USED FOR MANUFACTURE OR FOR ANY OTHER PURPOSE WITHOUT WRITTEN PERMISSION FROM GBC.

| | | | | |
|--------------------------------------|-------|--|--------------|--|
| UNLESS OTHERWISE SPECIFIED TOLERANCE | | | FINISH TO BE | |
| DIM. AS SHOWN | TOL. | | | |
| XXX | ±.184 | | | |
| X | ±.089 | | | |
| XX | ±.010 | | | |

152 ✓

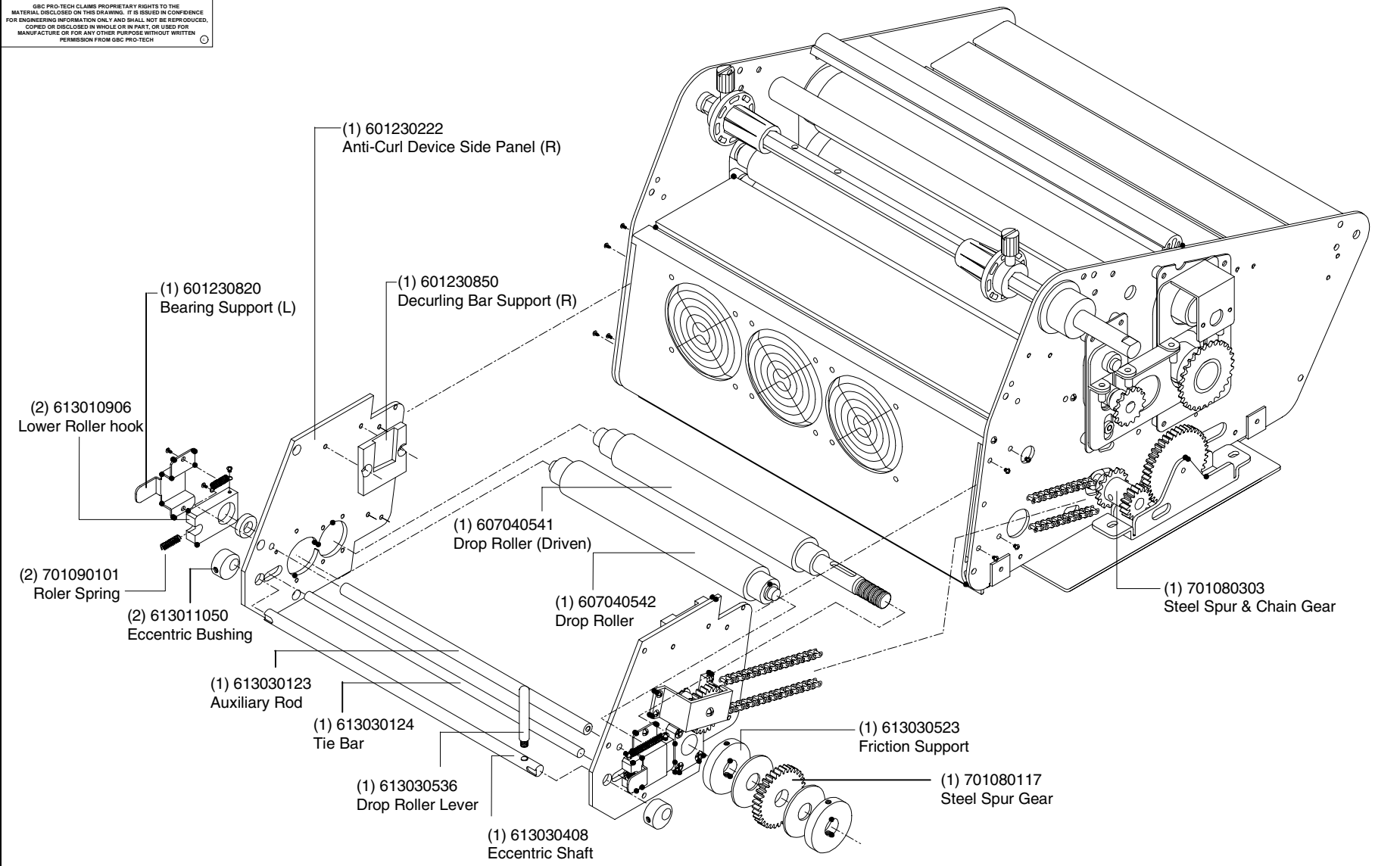
INDUSTRIAL PRINT & FINISHING GROUP
 4151 Anderson Road, DeForest, WI 53532

TITLE:
 Drop Roller Drive Assembly
 GBC Aquila

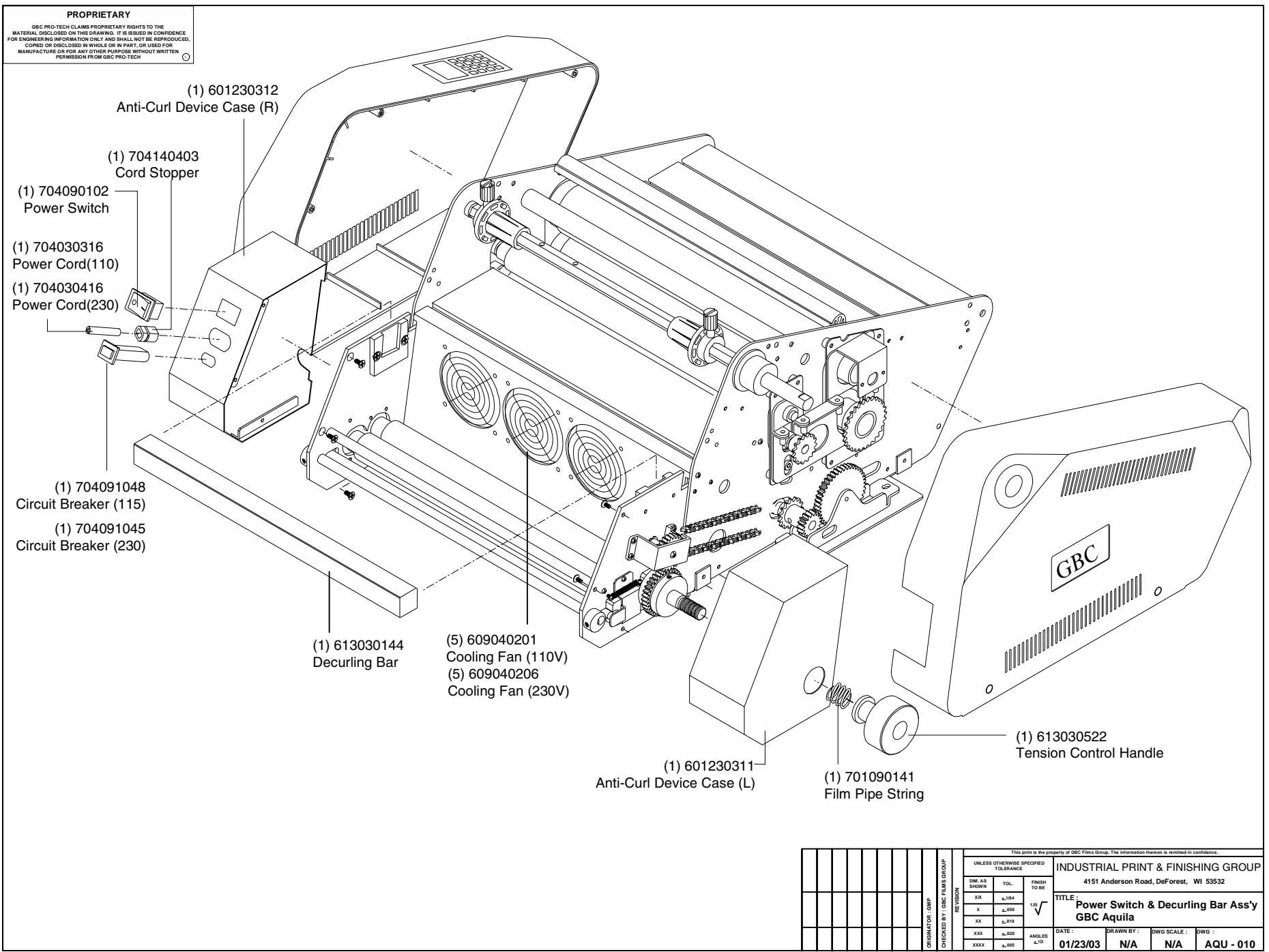
| | | | | | | | | | |
|----------|------------------------|--|--|--|--|--|--|--|--|
| REVISION | | | | | | | | | |
| BY | IP/IB Technical Center | | | | | | | | |

This print is the property of GBC. The information thereon is furnished in confidence.

PROPRIETARY
 GBC PRO-TECH CLAIMS PROPRIETARY RIGHTS TO THE MATERIAL DISCLOSED ON THIS DRAWING. IT IS ISSUED IN CONFIDENCE FOR ENGINEERING INFORMATION ONLY AND SHALL NOT BE REPRODUCED, COPIED OR DISCLOSED IN WHOLE OR IN PART, OR USED FOR MANUFACTURE OR FOR ANY OTHER PURPOSE WITHOUT WRITTEN PERMISSION FROM GBC PRO-TECH.



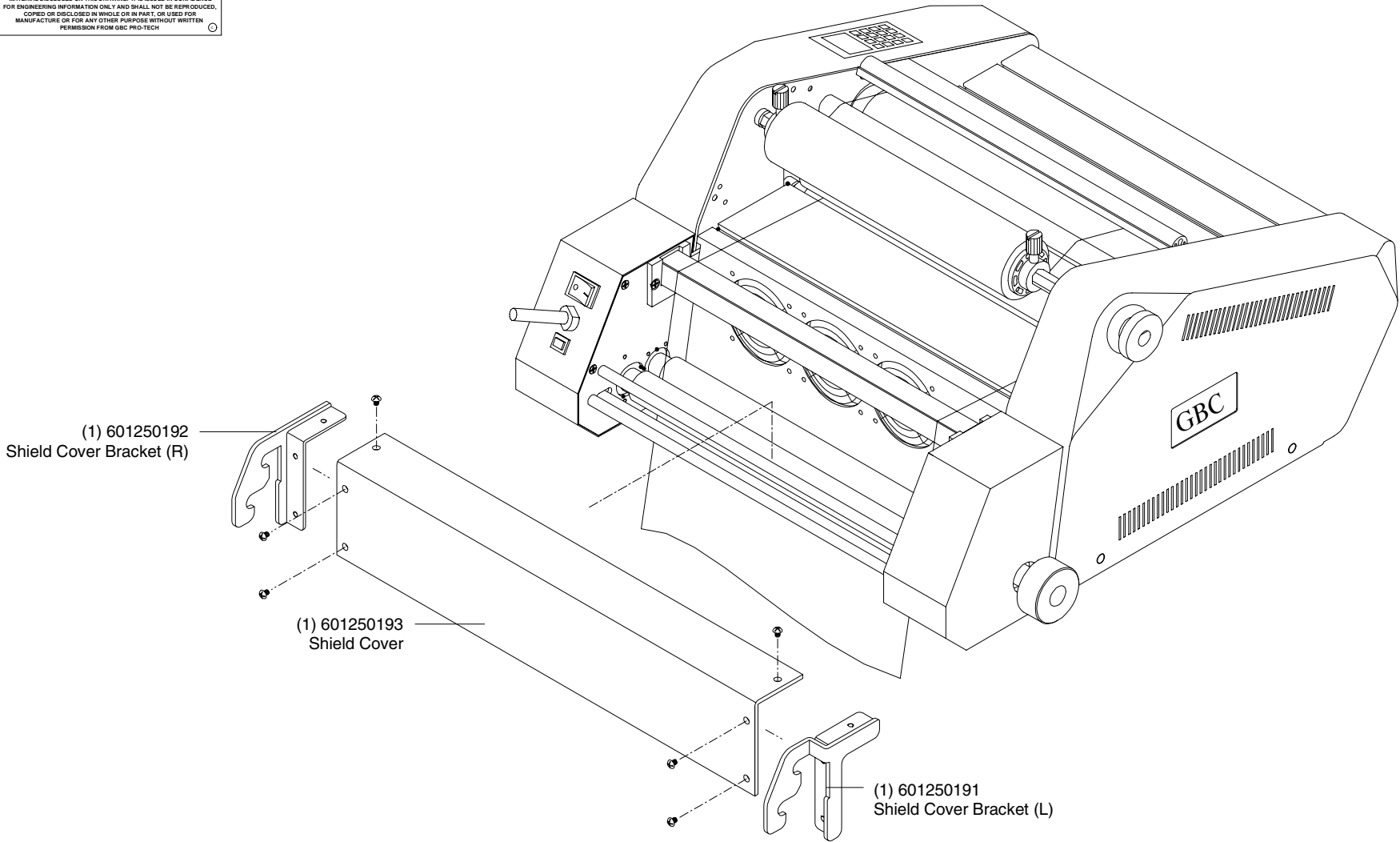
| | | | | | | | |
|--------------------------------------|-------|--------------|--------|--|--|--|--|
| UNLESS OTHERWISE SPECIFIED TOLERANCE | | | | INDUSTRIAL PRINT & FINISHING GROUP 4151 Anderson Road, DeForest, WI 53532 | | | |
| DM. AS SHOWN | TOL. | FINISH TO BE | 1/25 | TITLE : Drop Roller Ass'y Aquila | | | |
| XX | ±.184 | √ | | DATE : 07/01/02 | | | |
| X | ±.050 | | | DRAWN BY : NSG | | | |
| XX | ±.010 | | | DWG SCALE : N/A | | | |
| XXX | ±.020 | | | DWG : AQU-009 | | | |
| XXXX | ±.005 | | ANGLES | R-10 | | | |



| | | | | | |
|--------------------------------------|-------|-----------------|--|--|--|
| UNLESS OTHERWISE SPECIFIED TOLERANCE | | | INDUSTRIAL PRINT & FINISHING GROUP 4151 Anderson Road, DeForest, WI 53532 | | |
| DR. AS SHOWN | TOL. | FINISH TO BE | TITLE: Power Switch & Decurling Bar Ass'y GBC Aquila | | |
| XX | ±.104 | 1.25 √ | DATE: 01/23/03 | | |
| X | ±.050 | | DRAWN BY: N/A | | |
| XX | ±.010 | ANGLES AS SHOWN | DWG SCALE: N/A | | |
| XXX | ±.020 | | DWG: AQU - 010 | | |
| XXXX | ±.005 | | | | |

PROPRIETARY

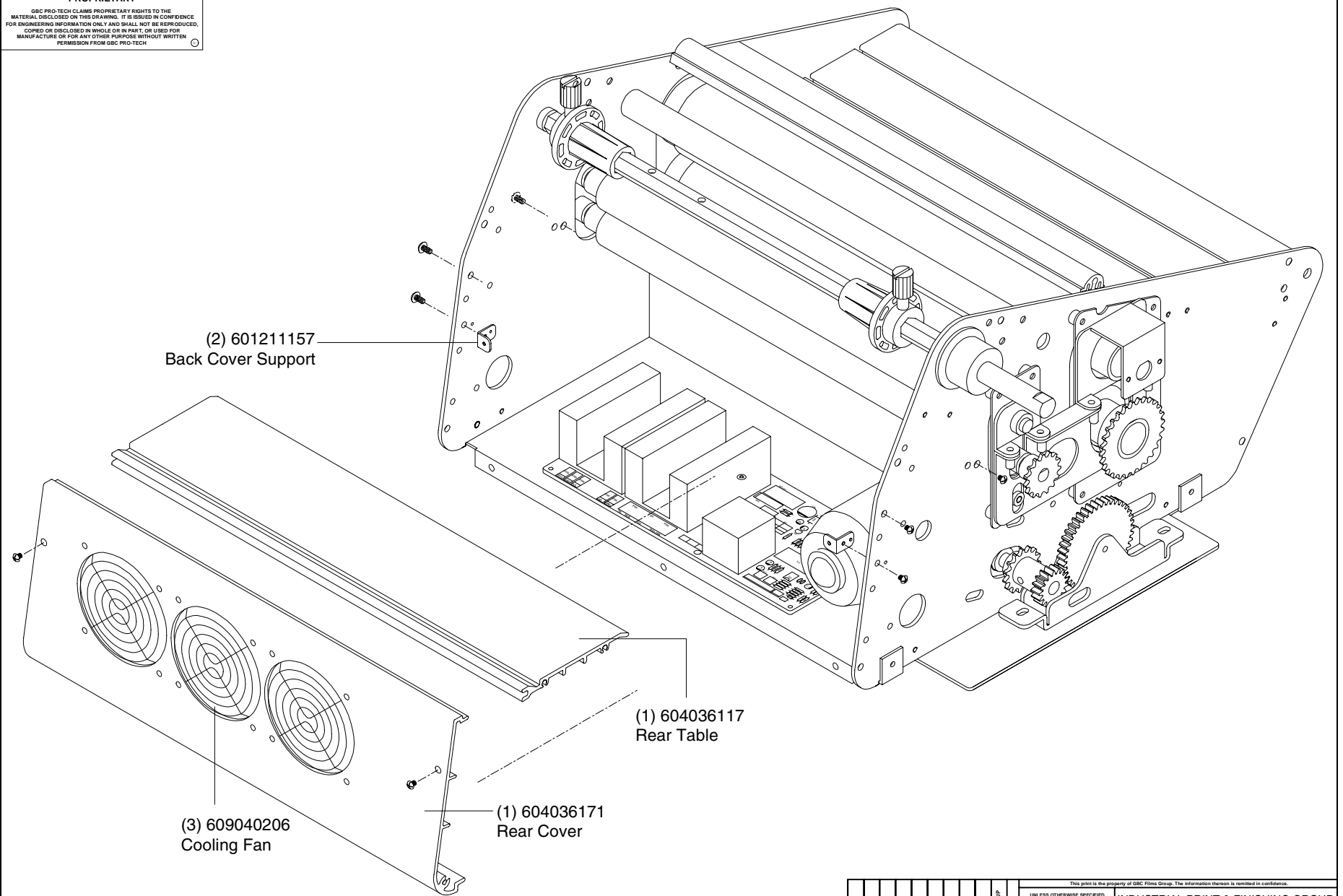
GBC PRO-TECH CLAIMS PROPRIETARY RIGHTS TO THE MATERIAL DISCLOSED ON THIS DRAWING. IT IS ISSUED IN CONFIDENCE FOR ENGINEERING INFORMATION ONLY AND SHALL NOT BE REPRODUCED, COPIED, OR DISCLOSED IN WHOLE OR IN PART, OR USED FOR MANUFACTURE OR FOR ANY OTHER PURPOSE WITHOUT WRITTEN PERMISSION FROM GBC PRO-TECH.



| | | | |
|--|------------|---|---------|
| <small>This print is the property of GBC Films Group. The information thereon is restricted in confidence.</small> | | | |
| UNLESS OTHERWISE SPECIFIED TOLERANCE | | INDUSTRIAL PRINT & FINISHING GROUP | |
| DM. AS SHOWN | TOL. | 4151 Anderson Road, DeForest, WI 53532 | |
| XX | ±.184 | TITLE : Rear Safety Gaurd Aquila | |
| X | ±.050 | | |
| XX | ±.010 | | |
| XXX | ±.005 | | |
| XXXX | ±.005 | | |
| DATE : | DRAWN BY : | DWG SCALE : | DWG : |
| 07/01/02 | NSG | N/A | AQU-011 |

PROPRIETARY

GBC PRO-TECH CLAIMS PROPRIETARY RIGHTS TO THE MATERIAL DISCLOSED ON THIS DRAWING. IT IS ISSUED IN CONFIDENCE FOR ENGINEERING INFORMATION ONLY AND SHALL NOT BE REPRODUCED, COPIED OR DISCLOSED IN WHOLE OR IN PART, OR USED FOR MANUFACTURE OR FOR ANY OTHER PURPOSE WITHOUT WRITTEN PERMISSION FROM GBC PRO-TECH.



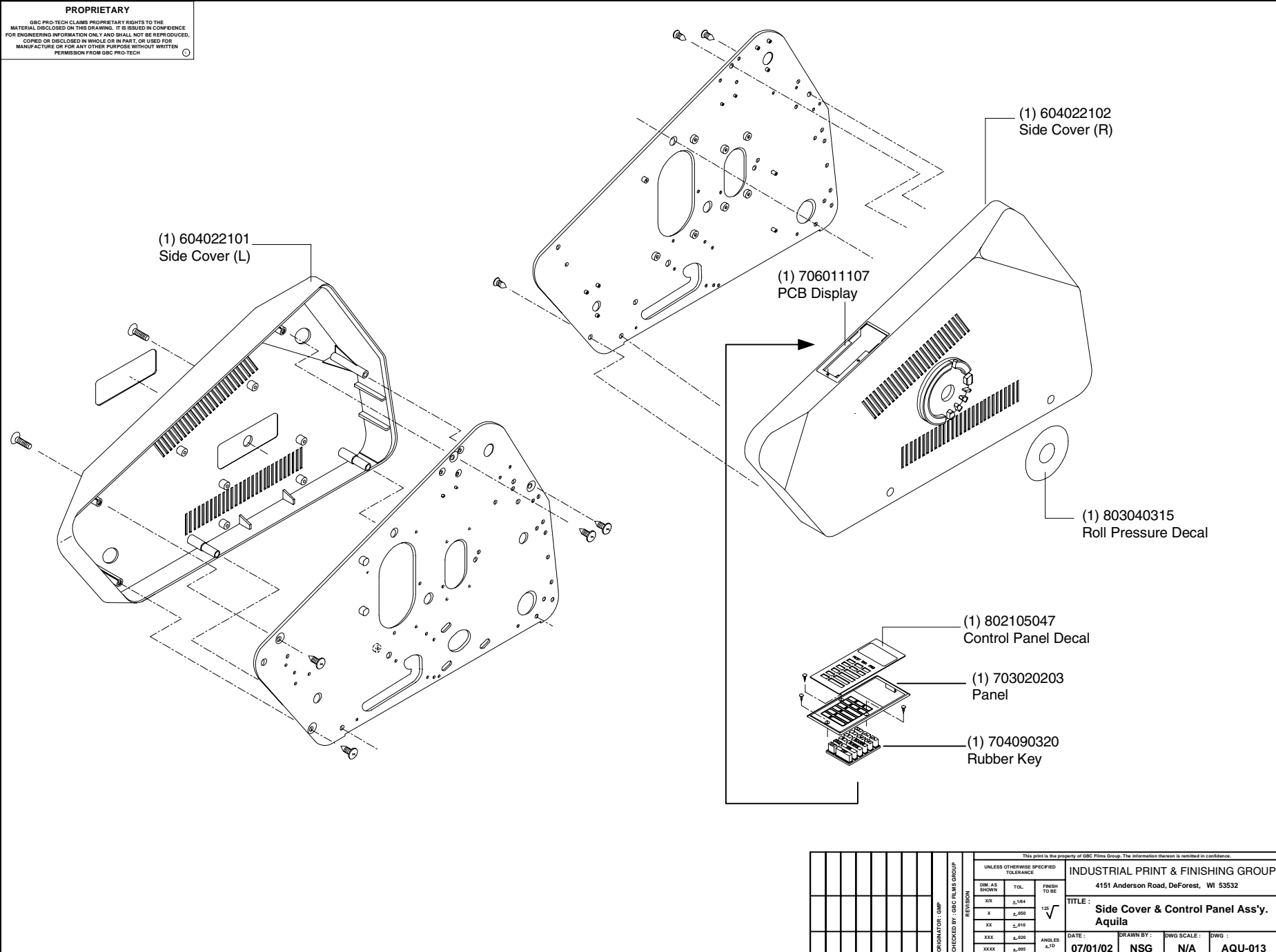
(2) 601211157
Back Cover Support

(3) 609040206
Cooling Fan

(1) 604036117
Rear Table

(1) 604036171
Rear Cover

| | | | | | |
|--------------------------------------|-------|--------------|--|------------|-------------|
| UNLESS OTHERWISE SPECIFIED TOLERANCE | | | INDUSTRIAL PRINT & FINISHING GROUP 4151 Anderson Road, DeForest, WI 53532 | | |
| DM. AS SHOWN | TOL. | FINISH TO BE | TITLE : Rear Table & Cover Ass'y Aquila | | |
| XIX | ±.184 | 1/2 √ | DATE : | DRAWN BY : | DWG SCALE : |
| X | ±.050 | | 07/01/02 | NSG | N/A |
| XX | ±.010 | ANGLES 8-10 | DWG : | AQU-012 | |
| XXX | ±.020 | | | | |
| XXXX | ±.005 | | | | |



PROPRIETARY
 GBC PRO-TECH CLAIMS PROPRIETARY RIGHTS TO THE MATERIAL DISCLOSED ON THIS DRAWING. IT IS ISSUED IN CONFIDENCE FOR ENGINEERING INFORMATION ONLY AND SHALL NOT BE REPRODUCED, COPIED, OR DISCLOSED IN WHOLE OR IN PART, OR USED FOR MANUFACTURE OR FOR ANY OTHER PURPOSE WITHOUT WRITTEN PERMISSION FROM GBC PRO-TECH.

| | | | | | | | |
|--------------------------------------|-------|--------------|------|--|----------------|-----------------|---------------|
| UNLESS OTHERWISE SPECIFIED TOLERANCE | | | | INDUSTRIAL PRINT & FINISHING GROUP 4151 Anderson Road, DeForest, WI 53532 | | | |
| DM. AS SHOWN | TOL. | FINISH TO BE | 1/25 | TITLE : Side Cover & Control Panel Ass'y. Aquila | | | |
| XIX | ±.184 | | | DATE : 07/01/02 | DRAWN BY : NSG | DWG SCALE : N/A | DWG : AQU-013 |
| X | ±.050 | | | | | | |
| XX | ±.010 | | | | | | |
| XXX | ±.020 | ANGLES | | | | | |
| XXXX | ±.005 | ±.010 | | | | | |