

9.0 Parts Information

The parts list is in numerical order. The parts illustration are in assembly order. If a part you require does not exist in the parts list or in the parts illustration section, contact you local service representative for assistance.



WARNING: Illustrated parts drawings are to be used only for ordering parts. They should not be used to perform repair work yourself. Contact your local service representative for service.



INFORMATION: The numeric value in the (), represent quantity per machine, not per assembly.

9.1 Parts list

Part Number	Item Description	Qty.
601211157	SURE BACK COVER SUPPORT	2
601230131	DC655 Base	1
601230221	Anti-Curl Device Side Panel(Left)	1
601230222	Anti-Curl Device Side Panel(Right)	1
601230311	HRS Anti-Curl Device Outer Case(Left)	1
601230312	HRS Anti-Curl Device Outer Case(Right)	1
601230501	Eccentric Hook(Left)	1
601230502	Eccentric Hook(Right)	1
601230521	Infrared Heater Support	2
601230525	Hot Roller Hook	2
601230527	Pull Roller Hook	2
601230702	Inner Tension Plate	3
601230708	TENSION BLOCK STOPPER	2
601230802	Film Shaft Support Plate	2
601230813	OFFICE HRS Auxiliary Gear Support	1
601230820	DC Bearing Support(L)	1
601230823	DC Bearing Support(R)	1
601230825	Gear Support	1
601230849	DECURLING BAR SUPPORT(L)	1
601230850	DECURLING BAR SUPPORT(R)	1
601250101	SENSOR BRACKET	1
601250102	SIDE PLATE(L)	1
601250103	SIDE PLATE(R)	1
601250104	H/R SUPPORT	2
601250105	P/R SUPPORT	2
601250107	OUTSIDE TENSION PALTE	2
601250171	MAGNETIC BRACKET(R)	1
601250172	MAGNETIC BRACKET(L)	1

Part Number	Item Description	Qty.
601250173	ROLLER COVER BLOCK	2
601250174	ROLLER COVER SUPPORT(R)	1
601250175	ROLLER COVER SUPPORT(L)	1
601250177	ROLLER COVER BRACKET(FRONT)	2
601250178	TABLE LEVER	1
601250179	TABLE LEVER BRACKET	1
601250181	J-CHANNEL COVER(L)	1
601250182	J-CHANNEL COVER(R)	1
601250191	DC SHIELD COVER BRACKET(L)	1
601250192	DC SHIELD COVER BRACKET(R)	1
601250193	DC SHIELD COVER	1
601310508	MICRO S/W Support	1
604022032	PAPER GUIDE KNOB	2
604022101	SIDE COVER(L)	1
604022102	SIDE COVER(L)	1
604022103	TENSION KNOB	2
604022106	PAPER GUIDE	1
604022109	TABLE LEVER GUIDE	1
604036111	655 FRONT COVER	1
604036115	655 ROLLER COVER CAP	1
604036116	655 FRONT TABLE	1
604036117	655 REAR TABLE	1
604036119	655 ROLLER COVER	1
604036171	DC655 REAR COVER	1
604036172	DC655 ROLLER COVER CAP	1
604036173	DC655 REAR TABLE	1
604037021	AL 1"CORE BUSHING	4
604620102	MATAL MAGNET	2
607040503	P/ROLLER	2
607040513	H/ROLLER	1
607040522	DC-655 T/ROLLER	1
607040541	DC-655Q FEEDING ROLLER(UP)	1
607040542	650HRS SLIDING ROLLER(LOW)	1
6090202	DC GEARED MOTOR(DM010)	1
609040201	Cooling Fan AC 80mm(Square)	5
609040206	Cooling Fan AC (230V)	5
610010210	TRANSFORMER(230V)	1
610010211	TRANSFORMER GM6635A-12	1
613010905	OFFICE HRS Roller Hook(Upper)(PL)	2
613010906	OFFICE HRS Roller Hook(Lower)(PL)	2
613011005	ROLL Eccentric Lever Stopper (PL)	1
613011011	Eccentric Bushing(PL)	2
613011012	Eccentric Lever(PL)	1
613011050	DC Eccentric Bushing(PL)	2
613030121	Front Tray Support Rod(PL)	1
613030123	OFFICE 650HRS Auxiliary Rod(PL)	1

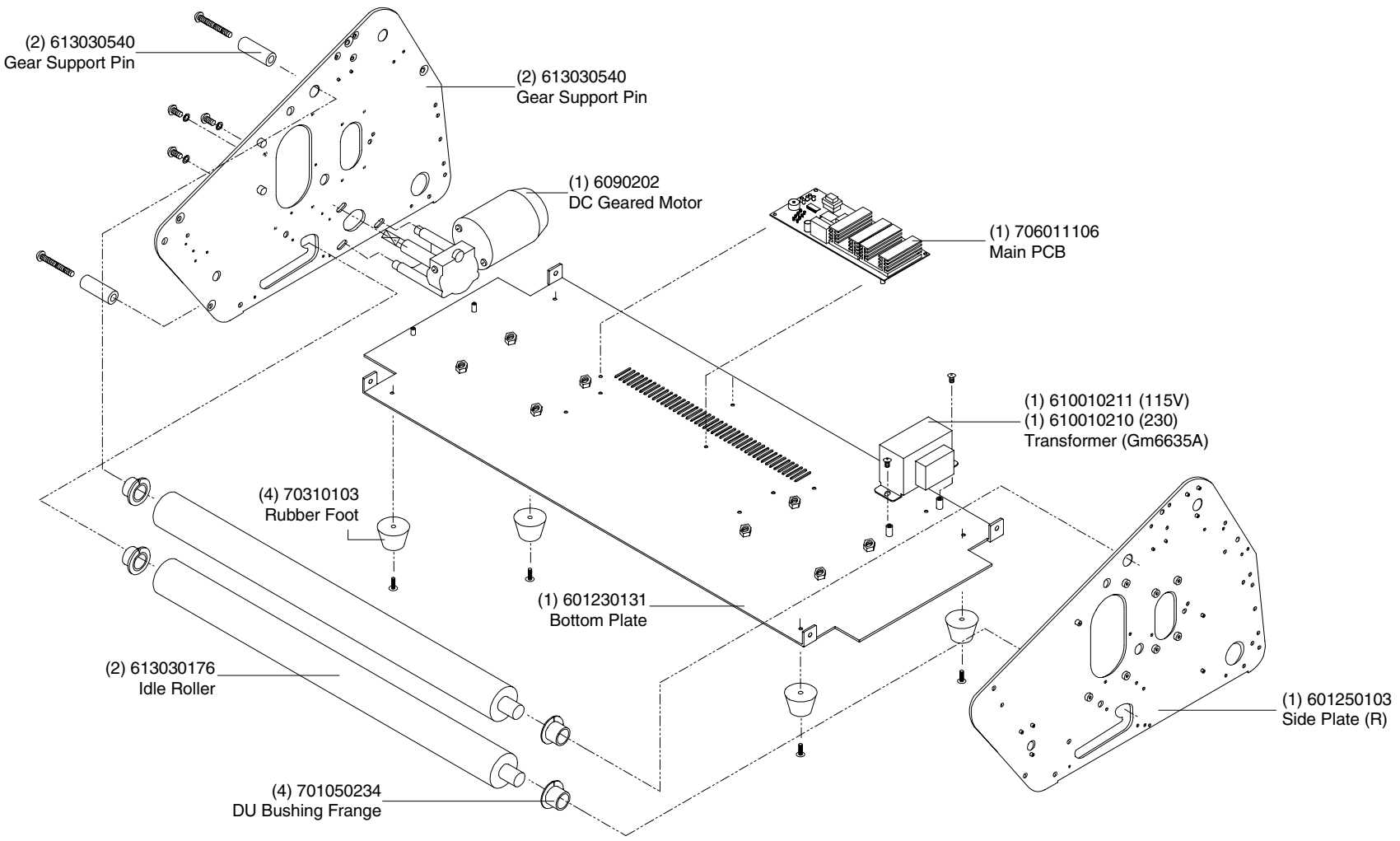
Part Number	Item Description	Qty.
613030124	DC-655Q TIE BAR(PL)	1
613030144	DC-655Q DECURLING BAR(PL)	1
613030145	DC Auxiliary Support Gear Pin(PL)	1
613030176	Idler Bar(PL)	2
613030202	HEX FILM SHAFT(PL)	2
613030301	Film Shaft Bushing(PL)	3
613030304	OFFICE-ROLL H/R Bushing(PL)	4
613030305	OFFICE-ROLL P/R Bushing(PL)	4
613030402	Eccentric Shaft(PL)	1
613030408	DC-655Q Eccentric Shaft(PL)	1
613030522	OFFICE HRS Tension Control Handle(PL)	1
613030523	OFFICE HRS Friction Support(PL)	2
613030527	CORE BUSH BOLT(PL)	4
613030530	Tension Control Block(PL)	2
613030536	DC Roller Pressure Lever(PL)	1
613030537	Film Tension Bolt(PL)	2
613030540	GBC4265 Auxiliary Gear Support Pin(PL)	2
6130452	Auxiliary Gear Bushing HR	1
6380203	START KIT 655Q/(25mm)	2
701010104	BALL BEARING	2
701010105	BALL BEARING	2
701020210	NIDDLE ROLL BEARING	2
701050234	DU BUSHING FRANGE	4
701050239	DU BUSHING FRANGE	4
701050265	DU BUSHING FRANGE	4
701060207	OILLESS BUSHING FRANGE	2
701070131	ROLLER CHAIN	1
701070136	ROLLER CHAIN	1
701080117	STEEL SPUR GEAR	1
701080207	STEEL 1/4CHAIN GEAR	1
701080271	STEEL 1/4CHAIN GEAR	1
701080301	STEEL SPUR+CHAIN GEAR	1
701080303	STEEL SPUR+CHAIN GEAR	1
701080304	STEEL SPUR+CHAIN GEAR	1
701090101	ROLLER SPRING	2
701090103	ROLLER SPRING	8
701090141	ROLL Film Pipe Spring	1
701090142	Film Pipe Spring	3
701090158	Compressed Coil Spring	2
701090169	LEVER SPRING	1
701090606	SPRING E RING	2
701090706	SPRING S RING	2
701090710	SPRING S RING	4
701090714	SPRING S RING	2
701090716	SPRING S RING	4
701100212	M/S ROUND HEAD M3.0RH	4

Part Number	Item Description	Qty.
701100320	M/S ROUND HEAD M4.0RH	3
701100424	M/S ROUND HEAD M5.0RH	2
701100806	M/S FLAT HEAD M3.0FH	3
701100904	M/S FLAT HEAD M4.0FH	1
701102004	T/S ROUND HEAD 1CLASS T3.0RH	2
701102508	T/S FLAT HEAD 1CLASS T4.0FH	8
701104112	T/S ROUND HEAD 2CLASS T4.0RH	6
701104507	T/S FLAT HEAD 2CLASS T4.0FH	6
701104803	T/S TRUSS HEAD 2CLASS T3.0TH	8
701104901	T/S TRUSS HEAD 2CLASS T4.0TH	13
701104903	T/S TRUSS HEAD 2CLASS T4.0TH	10
701106302	SET SCREW HEXAGON SOCKET M5	4
701108022	BRASS SCREW M-RH	1
701108113	M/S ROUND HEAD M4.0RH	8
701108122	M/S SHOULDER HEAD M4.0FH	3
701108133	SQUARE HEAD M5	2
701109102	M/S SAMS M4.0RH	4
701109104	M/S SAMS M4.0RH	23
701109111	M/S SAMS M3.0RH	4
701109113	M/S SAMS M5.0RH	8
701109114	M/S SAMS M5.0RH	8
701109121	T/S SAMS 2CLASS T4.0TH	15
701109123	T/S SAMS 2CLASS T4.0RH	18
701109131	M/S SAMS M6.0RH	3
701110101	NUT	2
701110102	NUT	8
701110103	NUT	5
701110105	NUT	1
701110202	PLATE WASHER	2
701110203	PLATE WASHER	4
701110204	PLATE WASHER	7
701110402	STAR WASHER	1
703010103	Rubber Foot (HR/PHOTONEX)	4
703010211	Wire Protection Ring	2
703010332	HOLDER	4
703021051	Eccentric Lever Handle(ROLL)	1
703070101	Friction Plate (Leather)	6
704030316	Cord Plug 125V UL	1
704030416	Cord Plug (230V)	1
704060504	CLOSE END CONNECTOR	3
704090102	POWER S/W ROCKER	1
704090111	POWER S/W ROCKER	1
704090320	RUBBER S/W	1
704090411	MICRO SWITCH	1
704090423	MICRO SWITCH	2
704091045	CIRCUIT BREAKER 10A	1

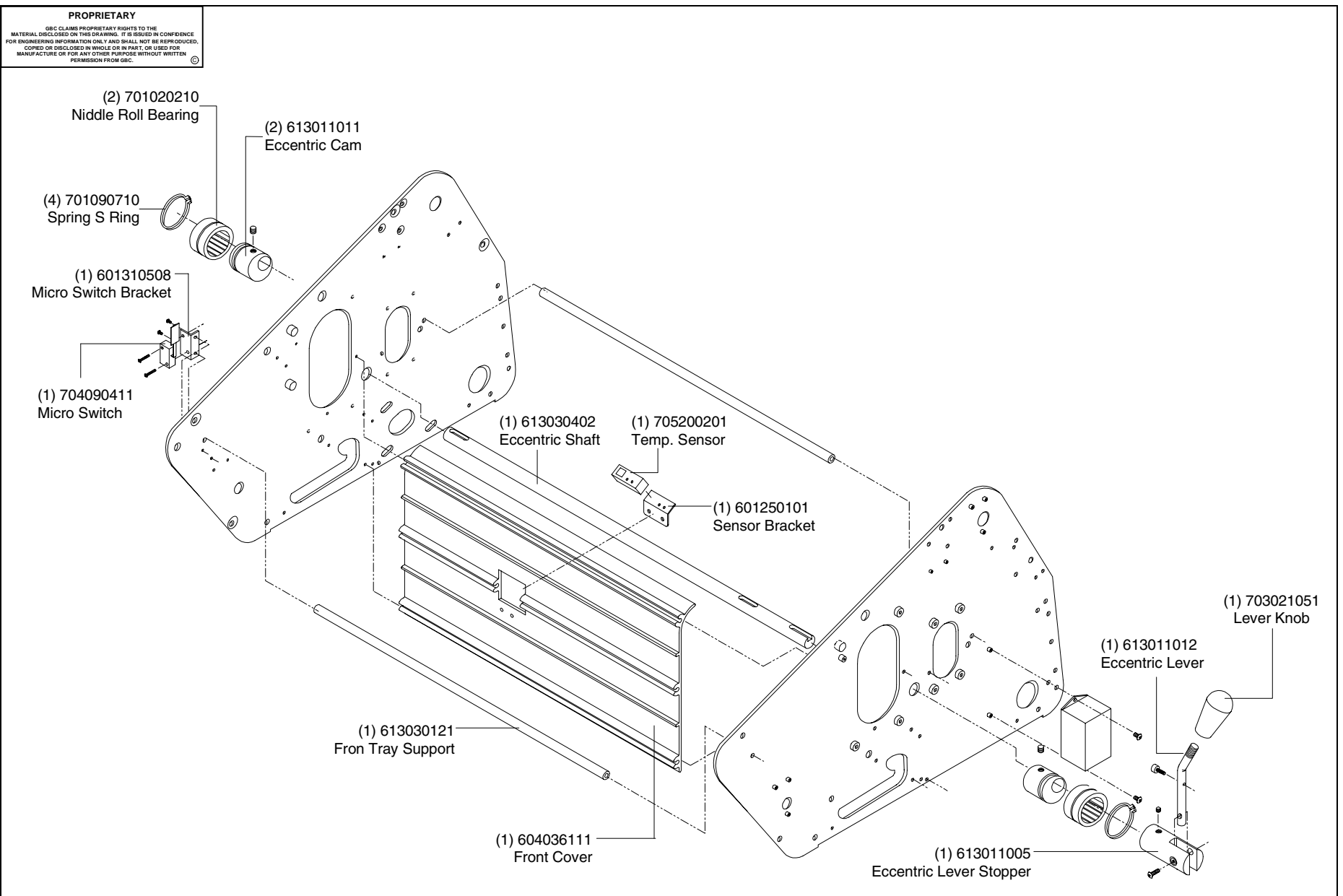
Part Number	Item Description	Qty.
704091048	CIRCUIT BREAKER	1
704140403	CORD STOPPER	1
704140601	CABLE TIE	10
704150101	BI-METAL THERMOSTAT	2
704161803	WIRE ASS'Y EAGLE	1
704161809	WIRE ASS'Y EAGLE	1
704161815	WIRE ASS'Y EAGLE35/65	1
704161831	WIRE ASS'Y EAGLE35/65SS	1
704161832	WIRE ASS'Y EAGLE35/65SS	1
704164703	WIRE ASS'Y EXCELAM II	1
704164707	WIRE ASS'Y EXCELAM II-655	1
704164709	WIRE ASS'Y EXCELAM II-655	1
704164710	WIRE ASS'Y EXCELAM II-655	1
704164711	WIRE ASS'Y EXCELAM II-655	1
704164712	WIRE ASS'Y EXCELAM II-655	1
704164719	WIRE ASS'Y EXCELAM II-655(110V)	1
704164720	WIRE ASS'Y EXCELAM II-655/1055	1
704164727	WIRE ASS'Y EXCELAM II-DC655	1
704165356	WIRE ASS'Y SPARTAN	2
705031302	EMI Filter	1
705200201	INFRARED SENSOR	1
706011106	PCB ASS'Y EXCELAM II MAIN	1
706011107	PCB ASS'Y EXCELAM II DISPLAY	1
706025063	INFRARED HEATER ASS'Y(N)	2
801010872	C/T BOX EXCELAM II-655	1
8010410	Styrofoam EAGLE	1
801060111	Vinyl Warp OFICE-650HRP	1
802040339	GBC AQUILA NAME STICKER	1
802105047	CONTROL PANEL STICKER/EXCELAM II	1
803040315	ROLLER TENSION STICKER	1
803040323	WARNING STICKER	2
803040325	WARNING STICKER	1
803040326	WARNING STICKER	1
803040327	WARNING STICKER	2
803040329	WARNING STICKER	1
803040421	TENSION STICKER	2
803040422	PRESSURE STICKER(LOW)	1
803040423	PRESSURE STICKER(UP)	1

9.2 Illustrated Parts

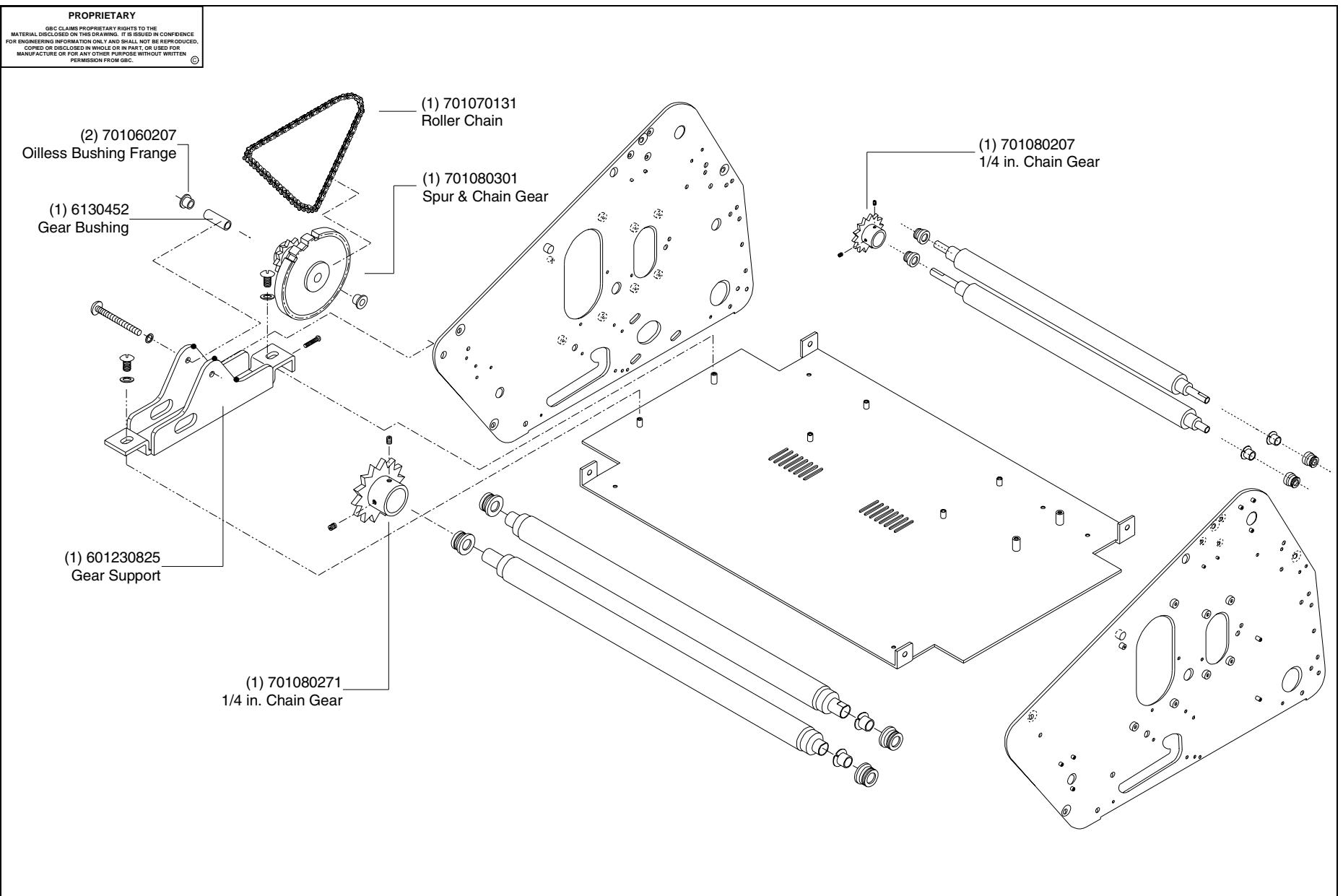
PROPRIETARY
 GBC CLAIMS PROPRIETARY RIGHTS TO THE MATERIAL DISCLOSED ON THIS DRAWING. IT IS ISSUED IN CONFIDENCE FOR ENGINEERING INFORMATION ONLY AND SHALL NOT BE REPRODUCED, COPIED OR DISCLOSED IN WHOLE OR IN PART, OR USED FOR MANUFACTURE OR FOR ANY OTHER PURPOSE WITHOUT WRITTEN PERMISSION FROM GBC. ©



UNLESS OTHERWISE SPECIFIED TOLERANCE				INDUSTRIAL PRINT & FINISHING GROUP 4151 Anderson Road, DeForest, WI 53532			
DM. AS SHOWN	TOL.	FINISH TO BE	1/25	TITLE : Frame Assembly GBC Aquila			
XX	±.184			DATE : 01/24/03			
X	±.050			DRAWN BY : N/A			
XX	±.010			DWG SCALE : N/A			
XXX	±.000	ANGLES		DWG : AQU - 001			
XXXX	±.005	±.0°					



UNLESS OTHERWISE SPECIFIED TOLERANCE			INDUSTRIAL PRINT & FINISHING GROUP		
DM. AS SHOWN	TOL.	FINISH TO BE	4151 Anderson Road, DeForest, WI 53532		
XIX	±.184	1/25	TITLE : Lifting Mechanism And Sensor GBC Aquila		
X	±.050				
XX	±.010				
XXX	±.001	DATE : 01/24/03			
XXXX	±.005	ANGLES ±.0°	DRAWN BY : N/A	DWG SCALE : N/A	DWG : AQU - 002

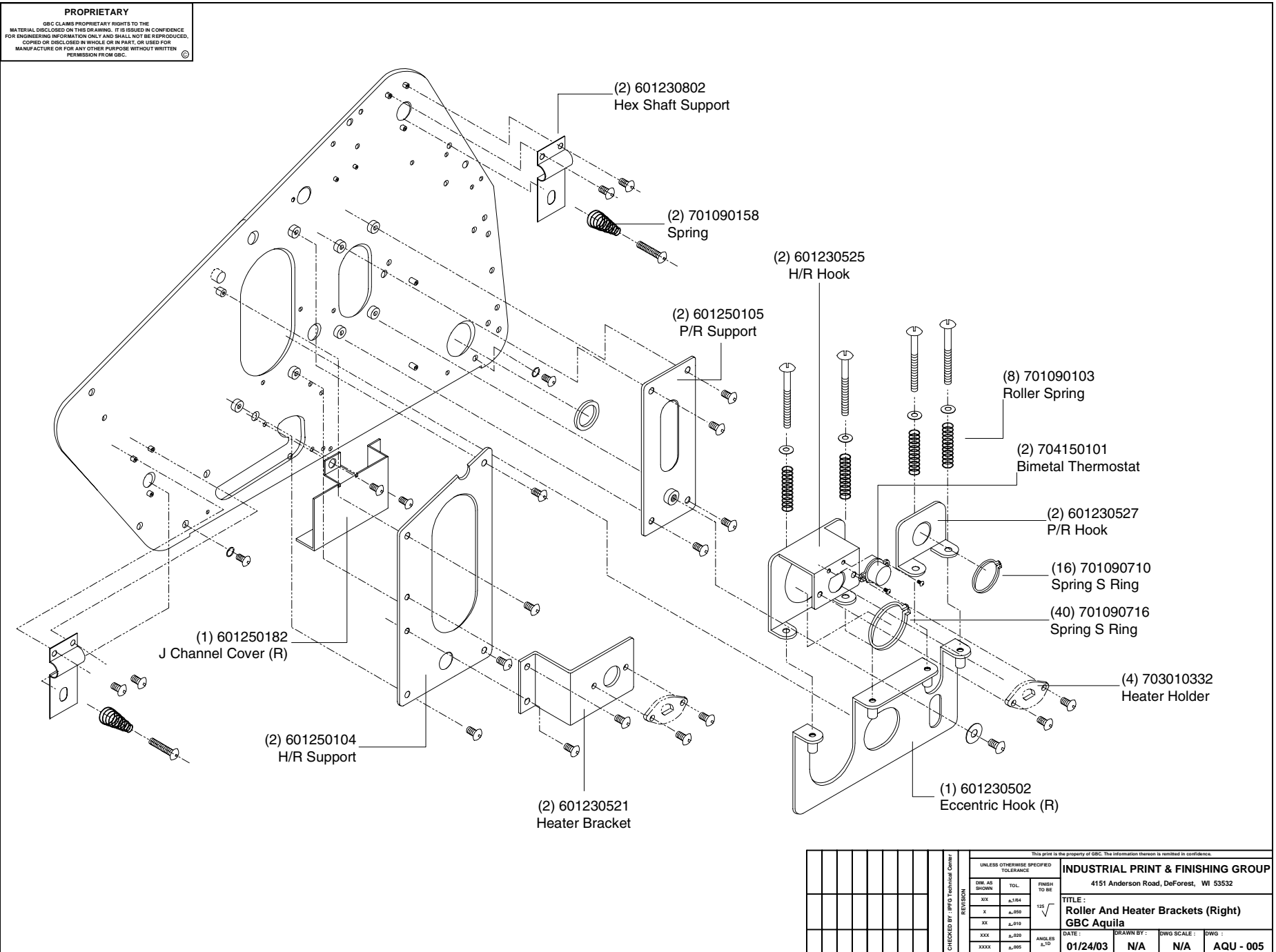


PROPRIETARY
 GBC CLAIMS PROPRIETARY RIGHTS TO THE MATERIAL DISCLOSED ON THIS DRAWING. IT IS ISSUED IN CONFIDENCE FOR ENGINEERING INFORMATION ONLY AND SHALL NOT BE REPRODUCED, COPIED OR DISCLOSED IN WHOLE OR IN PART, OR USED FOR MANUFACTURE OR FOR ANY OTHER PURPOSE WITHOUT WRITTEN PERMISSION FROM GBC.

This print is the property of GBC. The information thereon is retained in confidence.

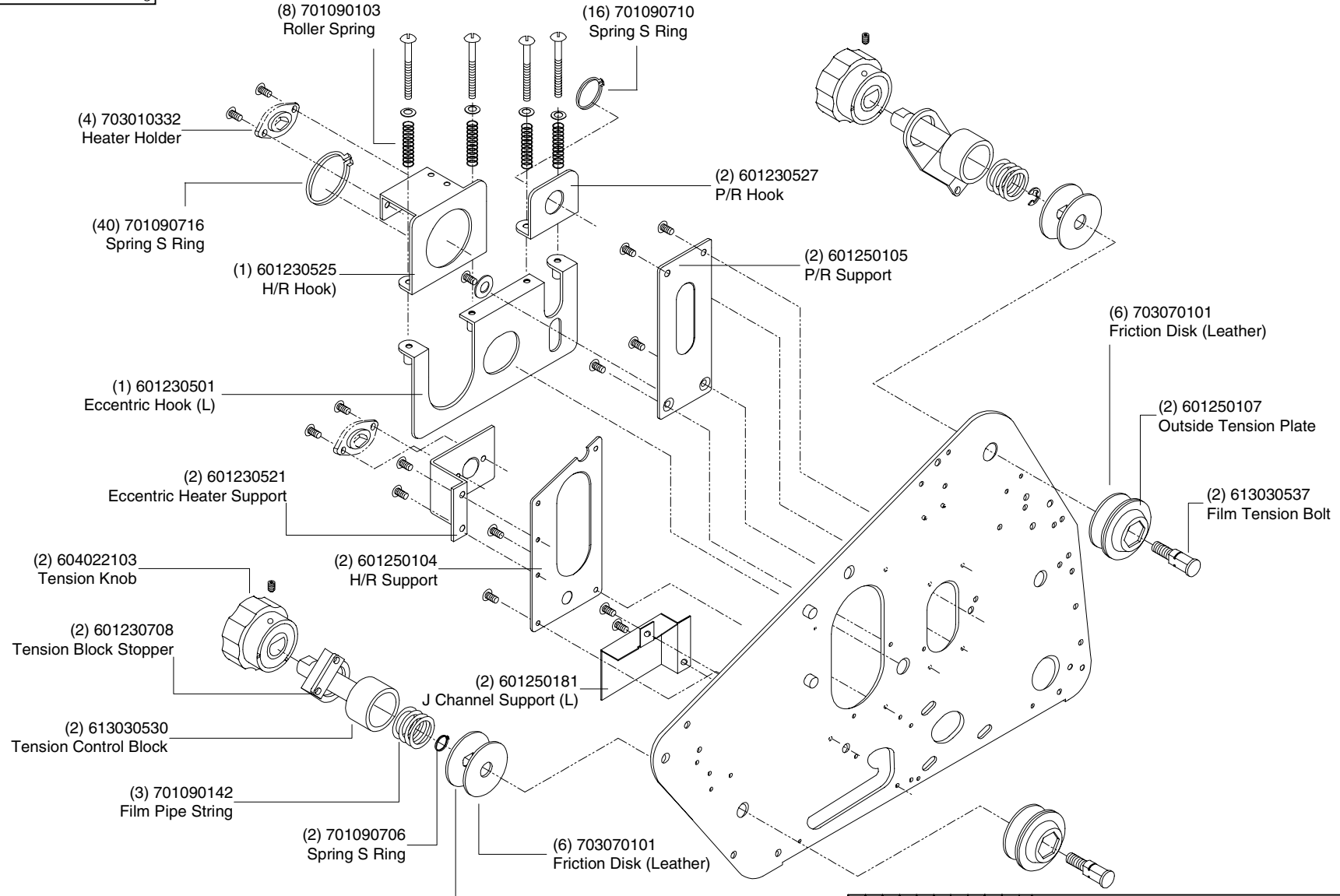
UNLESS OTHERWISE SPECIFIED TOLERANCE			INDUSTRIAL PRINT & FINISHING GROUP			
DM. AS SHOWN	TOL.	FINISH TO BE	4151 Anderson Road, DeForest, WI 53532			
XIX	±.184	1/2√	TITLE : Chain And Drive Assembly GBC Aquila			
X	±.050					
XX	±.010					
XXX	±.001	ANGLES 8-10°	DATE : 01/24/03 DRAWN BY : N/A DWG SCALE : N/A DWG : AQU - 004			
XXXX	±.005					

CHECKED BY: JIPPO Technical Center
 REVISION

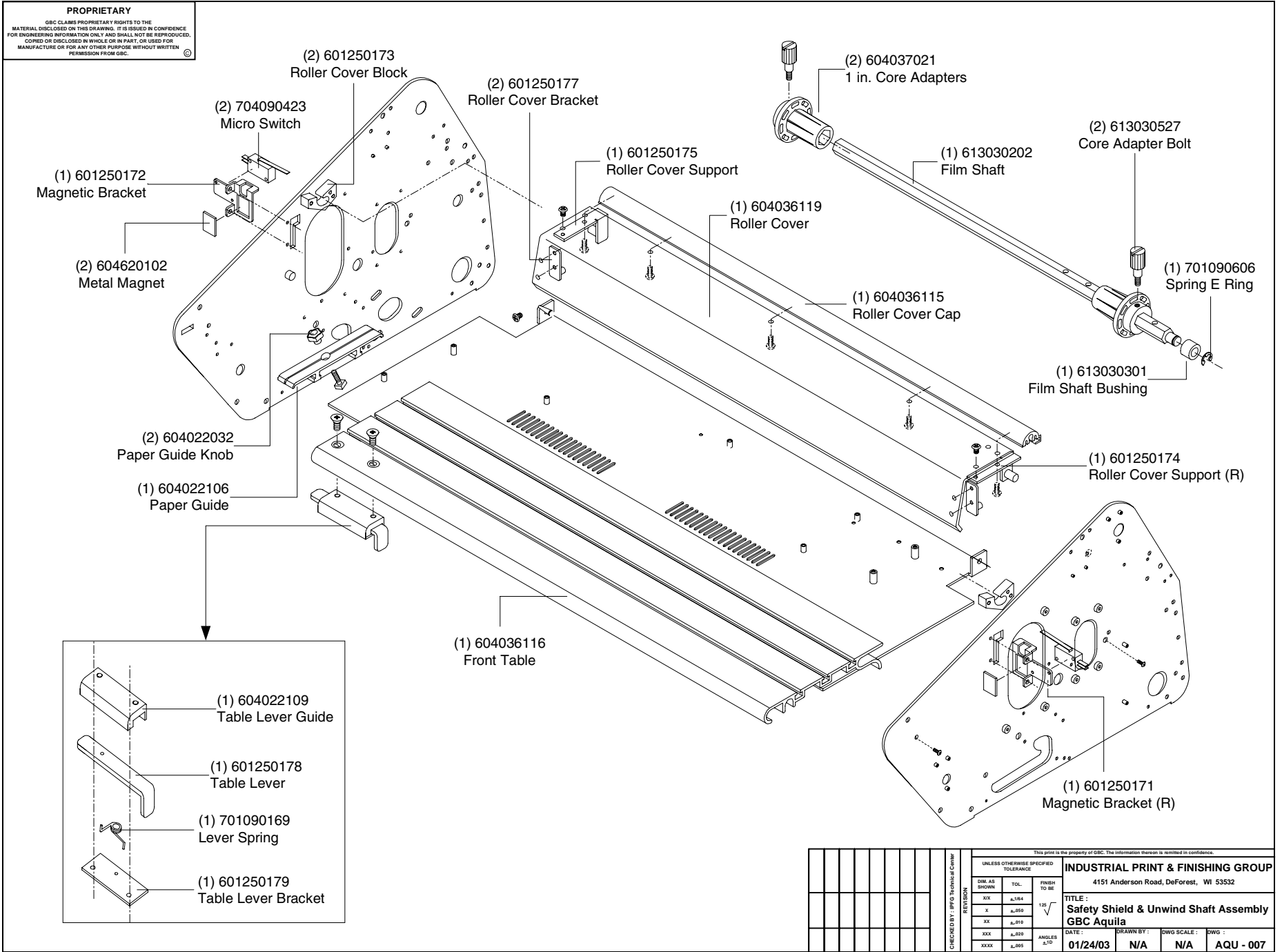


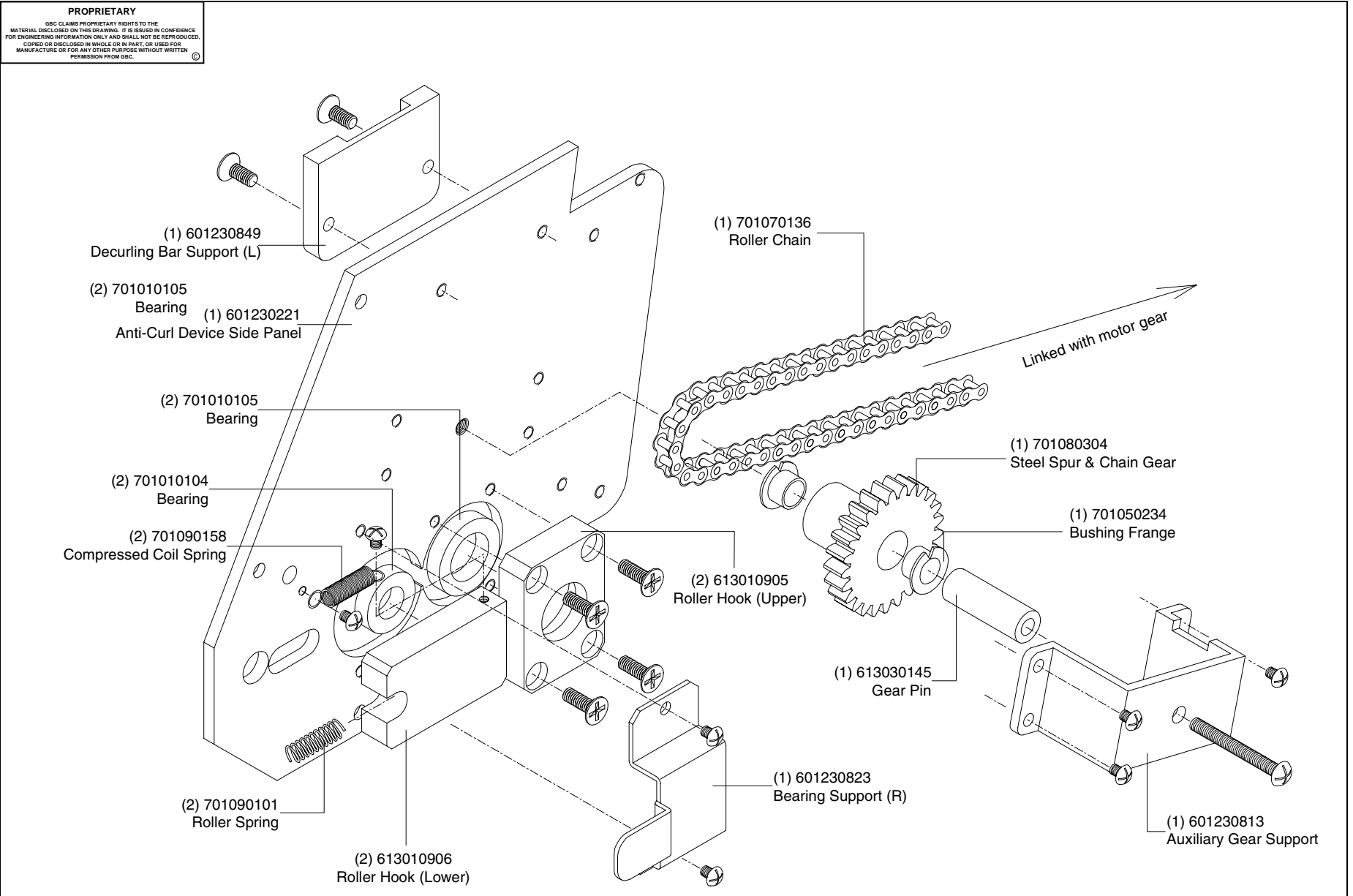
UNLESS OTHERWISE SPECIFIED TOLERANCE			INDUSTRIAL PRINT & FINISHING GROUP 4151 Anderson Road, DeForest, WI 53532		
DWG. AS SHOWN	TOL.	FINGER TO BE	TITLE: Roller And Heater Brackets (Right) GBC Aquila		
XX	±.184	125	DATE:	DRAWN BY:	DWG. SCALE:
X	±.050		01/24/03	N/A	N/A
XX	±.010		ANGLES		DWG : AQU - 005
XXX	±.020				
XXXX	±.005				

PROPRIETARY
 GBC CLAIMS PROPRIETARY RIGHTS TO THE MATERIAL DISCLOSED ON THIS DRAWING. IT IS ISSUED IN CONFIDENCE FOR ENGINEERING INFORMATION ONLY AND SHALL NOT BE REPRODUCED, COPIED OR DISCLOSED IN WHOLE OR IN PART, OR USED FOR MANUFACTURE OR FOR ANY OTHER PURPOSE WITHOUT WRITTEN PERMISSION FROM GBC.



UNLESS OTHERWISE SPECIFIED TOLERANCE			INDUSTRIAL PRINT & FINISHING GROUP 4151 Anderson Road, DeForest, WI 53532			
DIM. AS SHOWN	TOL.	FINISH TO BE	TITLE : Roller And Heater Brackets (Left) GBC Aquila DATE : 01/24/03 DRAWN BY : N/A DWG SCALE : N/A DWG : AQU - 006			
XX	±.184	125				
X	±.050					
XX	±.010					
XXX	±.020					
XXXX	±.005	ANGLES ±.50				





UNLESS OTHERWISE SPECIFIED TOLERANCE			FINISH TO BE	
DIM. AS SHOWN	TOL.			
XXX	±.184			
X	±.089			
XX	±.010			

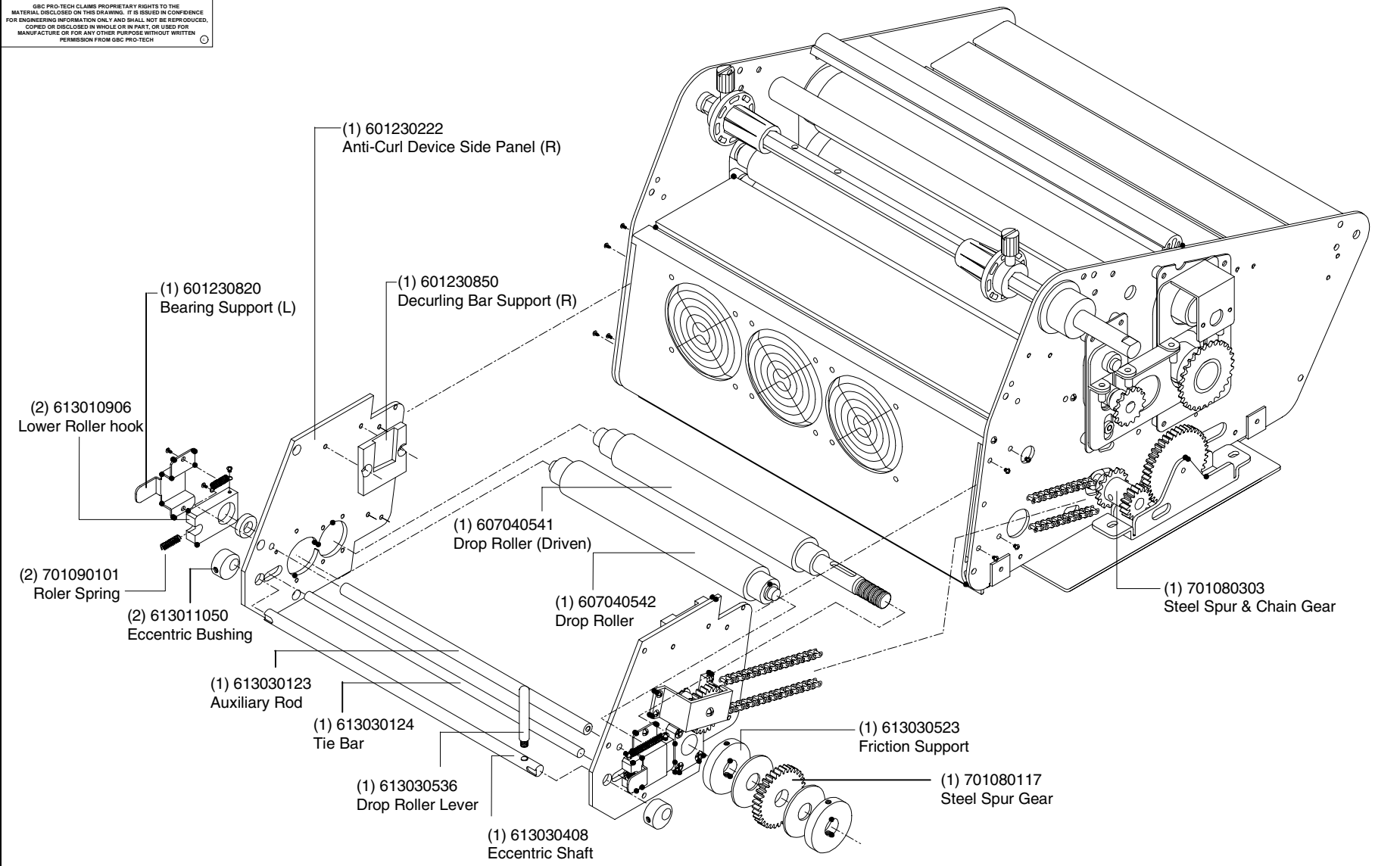
REVISION

D BY: IP/IB Technical Center

INDUSTRIAL PRINT & FINISHING GROUP
 4151 Anderson Road, DeForest, WI 53532

TITLE:
 Drop Roller Drive Assembly
 GBC Aquila

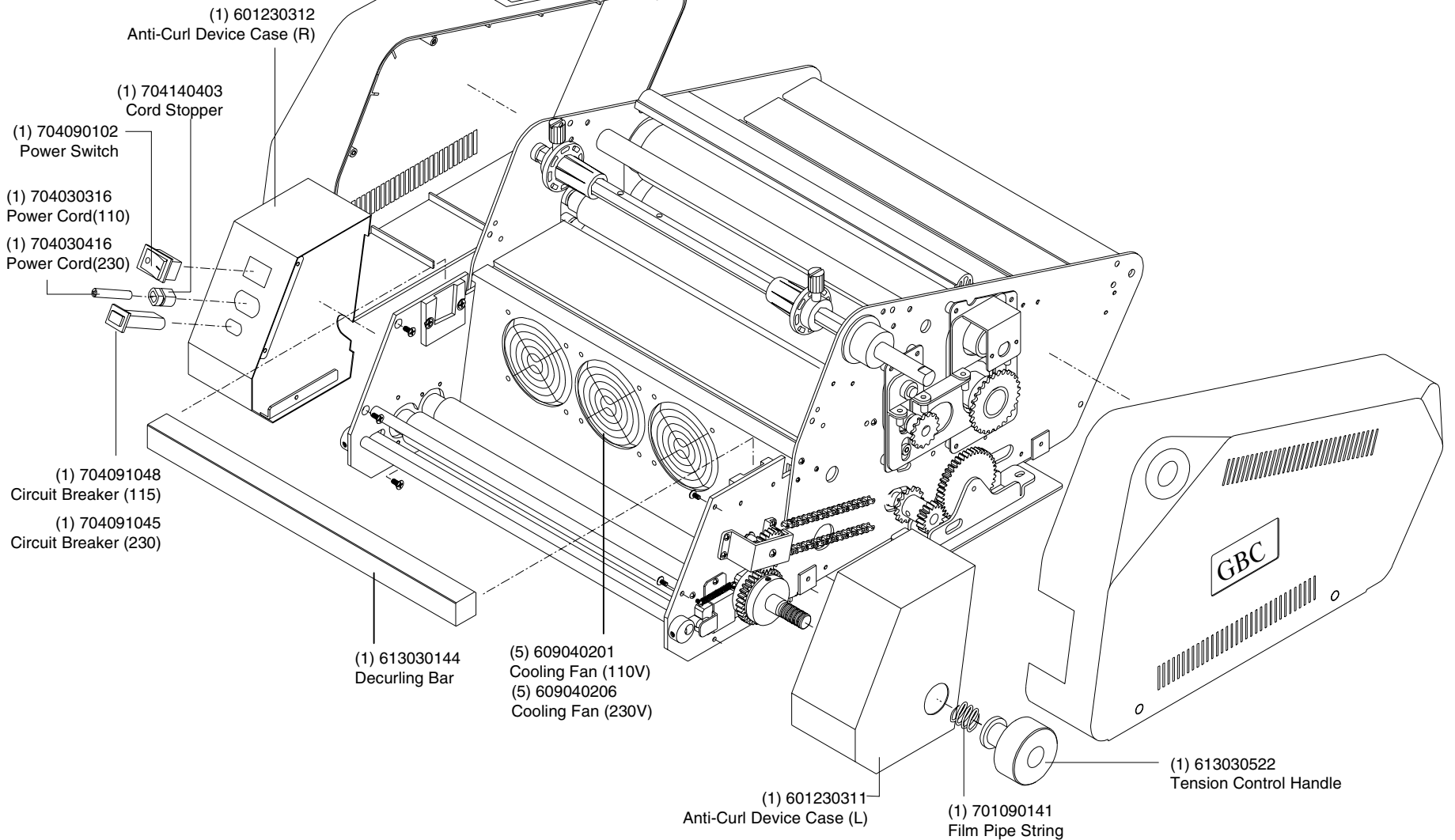
PROPRIETARY
 GBC PRO-TECH CLAIMS PROPRIETARY RIGHTS TO THE MATERIAL DISCLOSED ON THIS DRAWING. IT IS ISSUED IN CONFIDENCE FOR ENGINEERING INFORMATION ONLY AND SHALL NOT BE REPRODUCED, COPIED OR DISCLOSED IN WHOLE OR IN PART, OR USED FOR MANUFACTURE OR FOR ANY OTHER PURPOSE WITHOUT WRITTEN PERMISSION FROM GBC PRO-TECH.



UNLESS OTHERWISE SPECIFIED TOLERANCE				INDUSTRIAL PRINT & FINISHING GROUP 4151 Anderson Road, DeForest, WI 53532			
DM. AS SHOWN	TOL.	FINISH TO BE	1/25	TITLE : Drop Roller Ass'y Aquila			
XX	±.184	√		DATE : 07/01/02			
X	±.050			DRAWN BY : NSG			
XX	±.010			DWG SCALE : N/A			
XXX	±.020			DWG : AQU-009			
XXXX	±.005		ANGLES	R-10			

PROPRIETARY

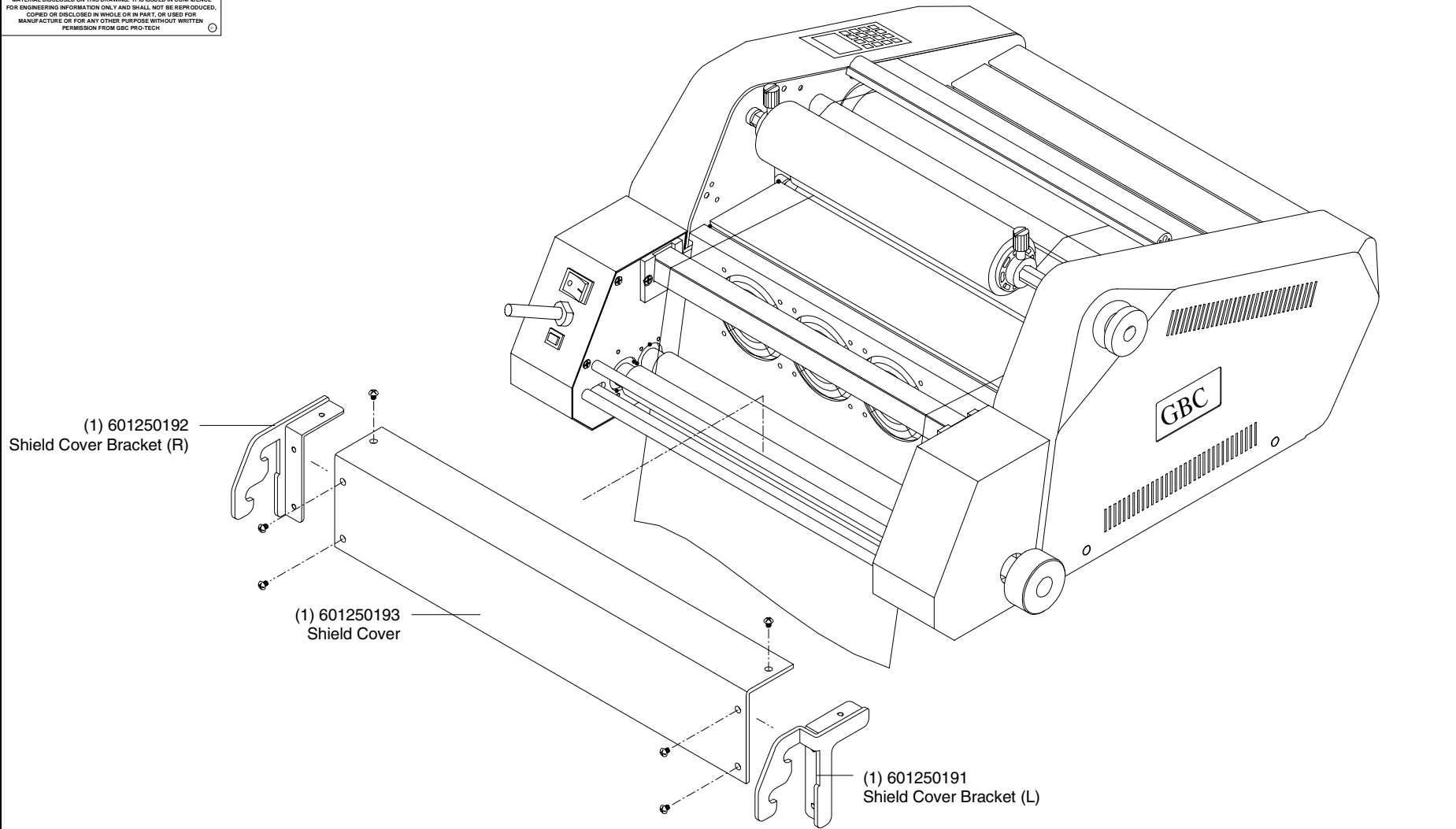
GBC PRO-TECH CLAIMS PROPRIETARY RIGHTS TO THE MATERIAL DISCLOSED ON THIS DRAWING. IT IS ISSUED IN CONFIDENCE, FOR ENGINEERING INFORMATION ONLY AND SHALL NOT BE REPRODUCED, COPIED OR DISCLOSED IN WHOLE OR IN PART, OR USED FOR MANUFACTURE OR FOR ANY OTHER PURPOSE WITHOUT WRITTEN PERMISSION FROM GBC PRO-TECH



UNLESS OTHERWISE SPECIFIED TOLERANCE			INDUSTRIAL PRINT & FINISHING GROUP 4151 Anderson Road, DeForest, WI 53532		
DR. AS SHOWN	TOL.	FINISH TO BE	TITLE: Power Switch & Decurling Bar Ass'y GBC Aquila		
XX	±.104	1.25 √	DATE:	DRAWN BY:	DWG SCALE:
X	±.050		01/23/03	N/A	N/A
XX	±.010		ANGLES		DWG:
XXX	±.020	±10			AQU - 010
XXXX	±.005				

PROPRIETARY

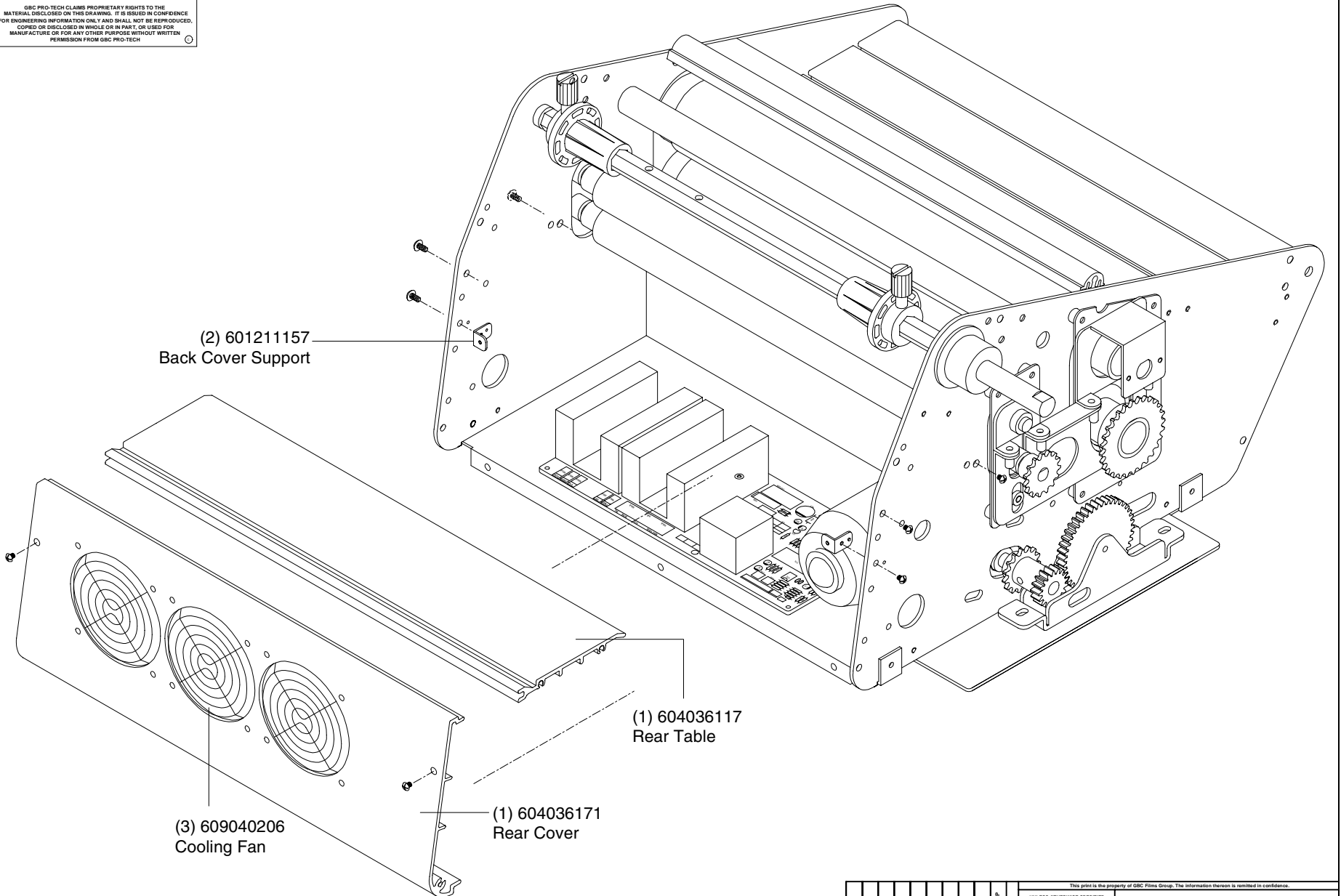
GBC PRO-TECH CLAIMS PROPRIETARY RIGHTS TO THE MATERIAL DISCLOSED ON THIS DRAWING. IT IS ISSUED IN CONFIDENCE FOR ENGINEERING INFORMATION ONLY AND SHALL NOT BE REPRODUCED, COPIED, OR DISCLOSED IN WHOLE OR IN PART, OR USED FOR MANUFACTURE OR FOR ANY OTHER PURPOSE WITHOUT WRITTEN PERMISSION FROM GBC PRO-TECH.



<small>This print is the property of GBC Films Group. The information thereon is revealed in confidence.</small>			
		UNLESS OTHERWISE SPECIFIED TOLERANCE	
DM. AS SHOWN	TOL.	FINISH TO BE	
XX	±.184	1/25	
X	±.050		
XX	±.010		
XXX	±.020		
XXXX	±.005		
		ANGLES 8-10	
		INDUSTRIAL PRINT & FINISHING GROUP	
		4151 Anderson Road, DeForest, WI 53532	
		TITLE : Rear Safety Gaurd Aquila	
DATE :	DRAWN BY :	DWG SCALE :	DWG :
07/01/02	NSG	N/A	AQU-011

PROPRIETARY

GBC PRO-TECH CLAIMS PROPRIETARY RIGHTS TO THE MATERIAL DISCLOSED ON THIS DRAWING. IT IS ISSUED IN CONFIDENCE FOR ENGINEERING INFORMATION ONLY AND SHALL NOT BE REPRODUCED, COPIED OR DISCLOSED IN WHOLE OR IN PART, OR USED FOR MANUFACTURE OR FOR ANY OTHER PURPOSE WITHOUT WRITTEN PERMISSION FROM GBC PRO-TECH.



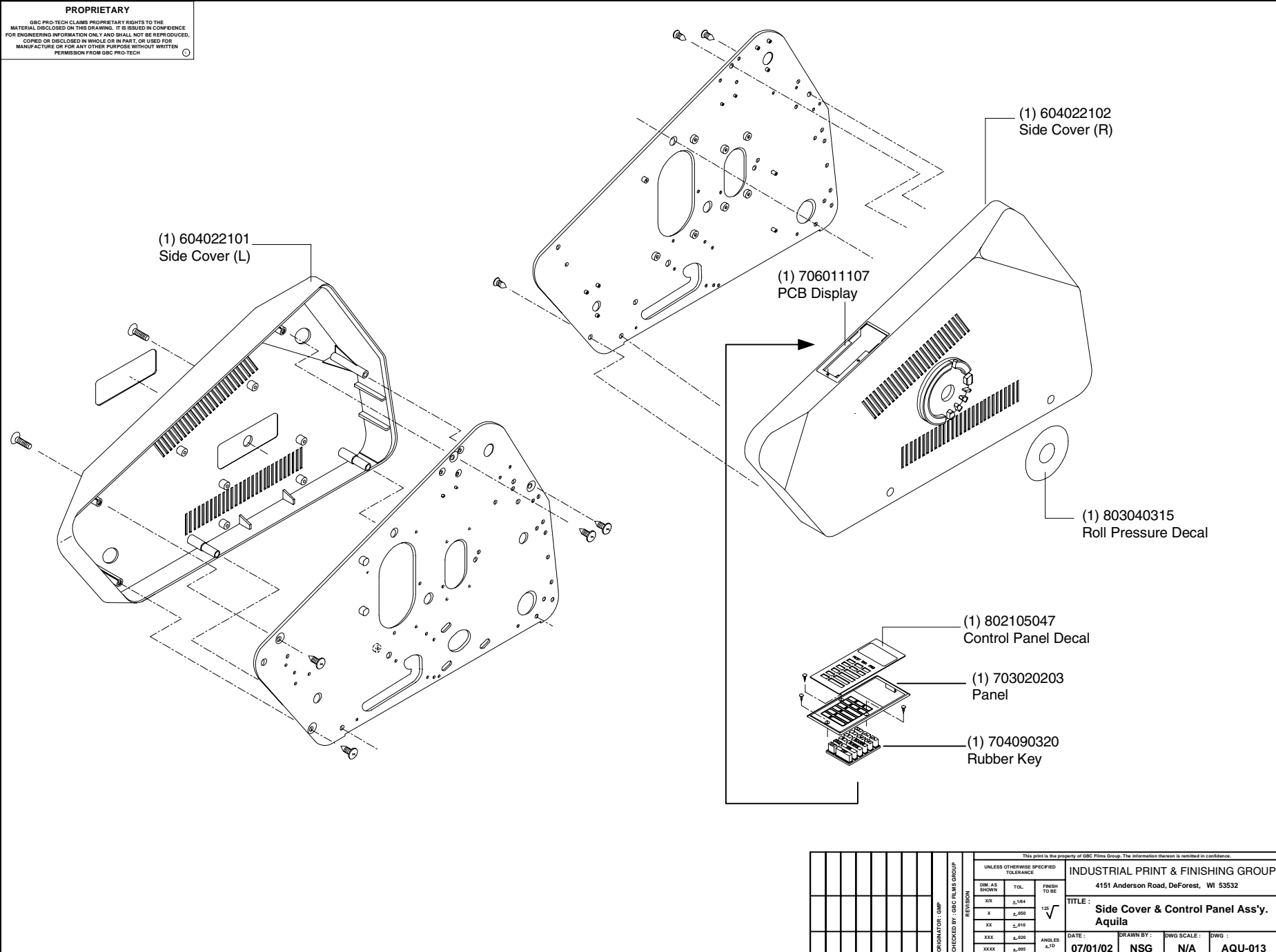
(2) 601211157
Back Cover Support

(3) 609040206
Cooling Fan

(1) 604036117
Rear Table

(1) 604036171
Rear Cover

UNLESS OTHERWISE SPECIFIED TOLERANCE			INDUSTRIAL PRINT & FINISHING GROUP 4151 Anderson Road, DeForest, WI 53532		
DM. AS SHOWN	TOL.	FINISH TO BE	TITLE : Rear Table & Cover Ass'y Aquila		
XIX	±.184	1/2 √	DATE :	DRAWN BY :	DWG SCALE :
X	±.050		07/01/02	NSG	N/A
XX	±.010	ANGLES 8-10	DWG :	AQU-012	
XXX	±.020				
XXXX	±.005				



PROPRIETARY
 GBC PRO-TECH CLAIMS PROPRIETARY RIGHTS TO THE MATERIAL DISCLOSED ON THIS DRAWING. IT IS ISSUED IN CONFIDENCE FOR ENGINEERING INFORMATION ONLY AND SHALL NOT BE REPRODUCED, COPIED, OR DISCLOSED IN WHOLE OR IN PART, OR USED FOR MANUFACTURE OR FOR ANY OTHER PURPOSE WITHOUT WRITTEN PERMISSION FROM GBC PRO-TECH.

UNLESS OTHERWISE SPECIFIED TOLERANCE				INDUSTRIAL PRINT & FINISHING GROUP 4151 Anderson Road, DeForest, WI 53532	
DM. AS SHOWN	TOL.	FINISH TO BE	TITLE : Side Cover & Control Panel Ass'y. Aquila DATE : 07/01/02 DRAWN BY : NSG DWG SCALE : N/A DWG : AQU-013		
XIX	±.184	1/25			
X	±.050				
XX	±.010				
XXX	±.020				
XXXX	±.005	ANGLES 8-10			