



# 955S & 955X PARTS LIST



GBC IS AN ACCO BRANDS COMPANY

---

# 950S

## PARTS LIST



56	XF2700000A	n/a	SPACER #22*16*0.5	1	
55	S1W4F0000E	n/a	SCREW M4*10 P GEAR WASHER	1	
54	S1VKF00000	n/a	SCREW #5*16 B TAPPING SCREW	8	
53	S1VJN0000F	n/a	SCREW #3*12 WASHER TAPPING	3	
52	S1VFF0000E	n/a	SCREW M5*10 B GEAR WASHER	8	
51	S1V7F0000E	n/a	SCREW M4*6 ETO & GEAR WASHER	2	
50	S1M2F00000	n/a	M5*10 B TAPPING SCREW	3	
49	S1LVN00000	n/a	SCREW M5X12	1	
48	S1LHF0000S	n/a	SCREW M5*18+SP	7	
47	S1DJN0000F	n/a	WITH WASHER	1	
46	S1CFN00000	n/a	SCREW M3X14	4	
45	PV300A10FA	1756960	FLAP	1	
44	PV290B20FC	1756961	AUTO PART	1	
43	PH820H0XX0	1756962	AUTO GEAR 32T	1	
42	PH810H0XXA	1756963	REV CAM	1	
41	PH800H0XXA	1756964	CAM	1	
40	PCP30A00FA	1756965	PAPER GUIDE B	1	
39	PCP20A00FA	1756966	PAPER GUIDE A	1	
38	PCNY0A02SA	1756967	BUTTON	1	
37	PCNV0A10FA	1756968	BOTTOM COVER	1	
36	PGG80D3XXA	1756969	GEAR D	2	
35	PGG70D3XXB	1756970	GEAR C	1	
34	PGG60H0XXA	1756971	GEAR B	1	
33	PGG50H0XXA	1756972	GEAR A	1	
32	PAI50H0XXA	1756973	DELAY GEAR-B	1	
31	PAI40H0XXA	1756974	DELAY GEAR-A	1	
30	MP2800000A	1756975	BUSHING	2	
29	MN2800000A	1755732	SWITCH FIXER	1	
28	MC47000000	n/a	#5 E-RING	1	
27	MC46000000	n/a	#12 E-RING	4	
26	MC34000000	1756976	KNIFE SHAFT PIN	2	
25	MASK00000A	1756977	TRIGGER HOLDER	1	
24	MART00000A	1756978	GEAR PIN B	1	
23	MARS00000A	1756979	GEAR PIN A	1	
22	MARP00000B	1756980	SHAFT PIN #7*42.1	1	
21	MARD00000A	1756981	SUPPORT PLATE	2	
20	MARC00000A	1756982	IDLE BRACKET	1	
19	MARB00000A	1756983	SIDE PLATE B (LEFT)	1	
18	MARA00000A	1756984	SIDE PLATE A (RIGHT)	1	
17	MA89000000	n/a	#6 SPRING	1	
16	MA86000000	n/a	#4 "CS"	1	
15	MA84000000	n/a	#1.5 E-RING	2	
14	ESWC03000A	1750294	TRIGGER SW	1	
13	ESWC02280A	1751930	MICRO SW	1	
12	ESWC02270A	6202038	MICRO SW	1	
10	EMTR02690A	1756985	950S AC MOTOR 115V	1	
8	ECAP603000	1756986	CAPACITOR	1	
7	EACC03811A	1756987	AC POWER CORD	1	
6	ASYP13442A	1756988	950S TOP COVER ASS'Y	1	
4	ESWC03250A	1756989	SLIDE SWITCH	1	
3	ASYM13236A	1756990	LED & FUSE PCB ASS'Y	1	
2	ASYM13226A	1756991	950S 6MM KNIFE SHAFT B ASS'Y	1	
1	ASYM13225A	1756992	950S 6MM KNIFE SHAFT A ASS'Y	1	
<b>Item</b>	<b>Reference</b>	<b>GBC P/N</b>	<b>Description</b>	<b>115V</b>	<b>230V</b>

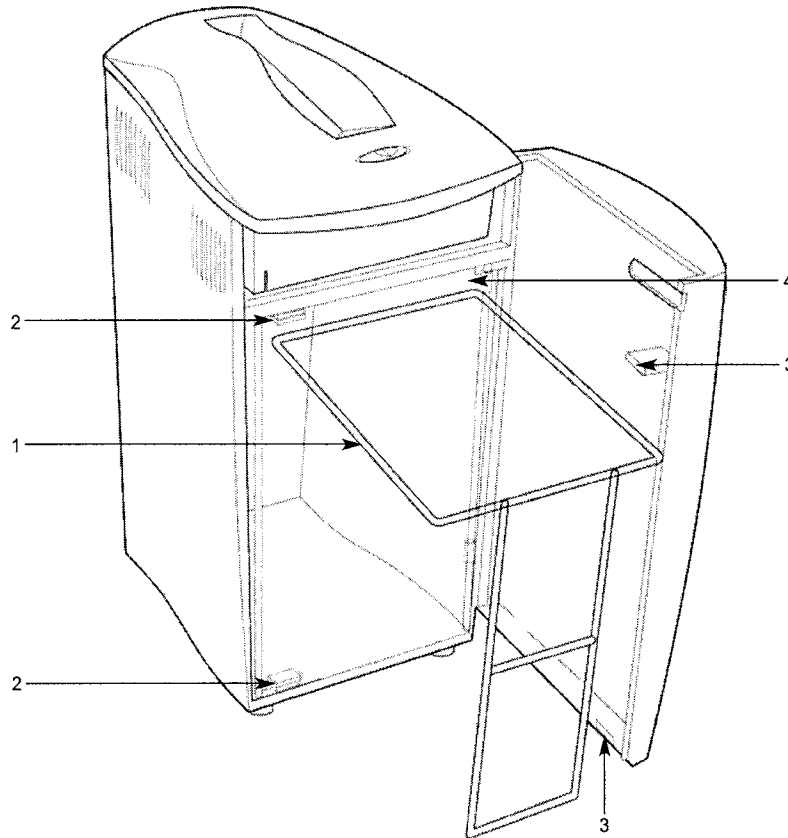
---

# 955X

## PARTS LIST



57	XF2700000A	n/a	SPACER #22*16*0.5	1	
56	S1W4F0000E	n/a	SCREW M4*10 P GEAR WASHER	1	
55	S1VKF00000	n/a	SCREW #5*16 B TAPPING SCREW	8	
54	S1VJN0000F	n/a	SCREW #3*12 WASHER TAPPING	3	
53	S1VFF0000E	n/a	SCREW M5*10 GEAR WASHER	8	
52	S1V7F0000E	n/a	SCREW M4*6 ETO & GEAR WASHER	2	
51	S1M2F00000	n/a	M5*10 B TAPPING SCREW	3	
50	S1LVN00000	n/a	SCREW M5X12	1	
49	S1LHF0000S	n/a	SCREW M5*18+SP	7	
48	S1DJN0000F	n/a	WITH WASHER	1	
47	S1CFN00000	n/a	SCREW M3 X 14	4	
46	PV300A10FA	1756960	FLAP	1	
45	PV290B20FC	1756961	AUTO PART	1	
44	PH820H0XX0	1756962	AUTO GEAR 32T	1	
43	PH810H0XXA	1756963	REV CAM	1	
42	PH800H0XXA	1756964	CAM	1	
41	PCP10A00FA	1756993	PAPER GUIDE B	1	
40	PCP00A00FA	1756994	PAPER GUIDE A	1	
39	PCNY0A02SA	1756967	BUTTON	1	
38	PCNV0A10FA	1756968	BOTTOM COVER	1	
37	PGG70D3XXB	1756970	GEAR C	1	
36	PGG60H0XXA	1756971	GEAR B	1	
35	PGG50H0XXA	1756972	GEAR A	1	
34	PAI50H0XXA	1756973	DELAY GEAR-B	1	
33	PAI40H0XXA	1756974	DELAY GEAR-A	1	
32	MX9300000A	1756995	SHAFT BUSHING	1	
31	MP2800000A	1756975	BUSHING	1	
30	MN2800000A	1755732	SWITCH FIXER	1	
29	MC47000000	n/a	#5 E-RING	1	
28	MC46000000	n/a	#12 E-RING	4	
27	MC34000000	1756976	KNIFE SHAFT PIN	2	
26	MC07000000	1756996	SPUR GEAR - A 20T	2	
25	MASK00000A	1756977	TRIGGER HOLDER	1	
24	MART00000A	1756978	GEAR PIN B	1	
23	MARS00000A	1756979	GEAR PIN A	1	
22	MARP00000B	1756980	SHAFT PIN #7*42.1	1	
21	MARD00000A	1756981	SUPPORT PLATE	2	
20	MARC00000A	1756982	IDLE BRACKET	1	
19	MARB00000A	1756983	SIDE PLATE B(LEFT)	1	
18	MARA00000A	1756984	SIDE PLATE A(RIGHT)	1	
17	MA89000000	n/a	#6 SPRING	1	
16	MA86000000	n/a	#4 "CS"	1	
15	MA84000000	n/a	#1.5 E-RING	2	
14	ESWC03000A	1750294	TRIGGER SW	1	
13	ESWC02280A	1751930	MICRO SW	1	
12	ESWC02270A	6202038	MICRO SW	1	
10	EMTR02700A	1756997	955X AC MOTOR 115V	1	
8	ECAP603000	1756986	CAPACITOR	1	
7	EACC03811A	1756987	AC POWER CORD	1	
6	ASYP13463A	1756998	955X TOP COVER ASS'Y	1	
4	ESWC03250A	1756989	SLIDE SWITCH	1	
3	ASYM13236A	1756990	LED & FUSE PCB ASS'Y	1	
2	ASYM13228A	1756958	955X KNIFE SHAFT B ASS'Y	1	
1	ASYM13227A	1756959	955X KNIFE SHAFT A ASS'Y	1	
Item	Reference	GBC P/N	Description	115V	230V



6	n/a	1756999	Cabinet Assy	1	1
		1757010	Door Kit	1	1
4	PCNZ0J00FA	n/a	Shelf	2	2
3	MM1000000A	1751944	Magnet Plate	2	2
2	XF1500000A	1751943	Magnet Body	2	2
1	MARJ00000A	1756957	Bag Rim	1	1
<b>Item</b>	<b>Reference</b>	<b>GBC P/N</b>	<b>Description</b>	<b>115V</b>	<b>230V</b>

# 950S

PV300A10FA	1756960	FLAP	1	
PV290B20FC	1756961	AUTO PART	1	
PCP30A00FA	1756965	PAPER GUIDE B	1	
PCP20A00FA	1756966	PAPER GUIDE A	1	
PGG80D3XXA	1756969	GEAR D	2	
PGG70D3XXB	1756970	GEAR C	1	
PGG60H0XXA	1756971	GEAR B	1	
PGG50H0XXA	1756972	GEAR A	1	
MP2800000A	1756975	BUSHING	2	
MN2800000A	1755732	SWITCH FIXER	1	
EMTR02690A	1756985	950S AC MOTOR 115V	1	
ECAP603000	1756986	CAPACITOR	1	
ESWC03250A	1756989	SLIDE SWITCH	1	
ASYM13236A	1756990	LED & FUSE PCB ASS'Y	1	
ASYM13226A	1756991	950S 6MM KNIFE SHAFT B ASS'Y	1	
ASYM13225A	1756992	950S 6MM KNIFE SHAFT A ASS'Y	1	
Reference	GBC P/N	Description	115V	230V

# 950X

PV300A10FA	1756960	FLAP	1	
PV290B20FC	1756961	AUTO PART	1	
PCP10A00FA	1756993	PAPER GUIDE B	1	
PCP00A00FA	1756994	PAPER GUIDE A	1	
PGG70D3XXB	1756970	GEAR C	1	
PGG60H0XXA	1756971	GEAR B	1	
PGG50H0XXA	1756972	GEAR A	1	
MX9300000A	1756995	SHAFT BUSHING	1	
MP2800000A	1756975	BUSHING	1	
MN2800000A	1755732	SWITCH FIXER	1	
MC07000000	1756996	SPUR GEAR - A 20T	2	
ESWC02270A	6202038	MICRO SW	1	
EMTR02700A	1756997	955X AC MOTOR 115V	1	
ESWC03250A	1756989	SLIDE SWITCH	1	
ASYM13236A	1756990	LED & FUSE PCB ASS'Y	1	
ASYM13228A	1756958	955X KNIFE SHAFT B ASS'Y	1	
ASYM13227A	1756959	955X KNIFE SHAFT A ASS'Y	1	
Reference	GBC P/N	Description	115V	230V