



# 7330 Auto cutter Parts List

GBC IS AN ACCO BRANDS COMPANY



## 8.0 PARTS LIST

### 7330 AutoCutter

Parts which have been assigned GBC's seven digit part numbers are keyed with an Index Number for reference to the respective Part Number, Part Name and Quantity in the respective parts list. If you need a part which does not have a GBC seven digit part number assigned, you will need to call GBC's National Service Technical Support group to obtain the part information.

Parts listed may be available as either a subassembly or an individual component, however, those parts which make up a subassembly are shown indented in the Part Number column under the description of the subassembly to which they apply.

In some cases subassemblies may not be available as such, but are listed for reference or clarity purposes only. Such subassemblies will be denoted as -REF- in the Part Number column. It will then be necessary to order any separate components indented under the subassembly, as required.

When ordering service parts, always include the following information:

- Machine Model Number
- Machine Serial Number
- Part Name
- Quantity Required

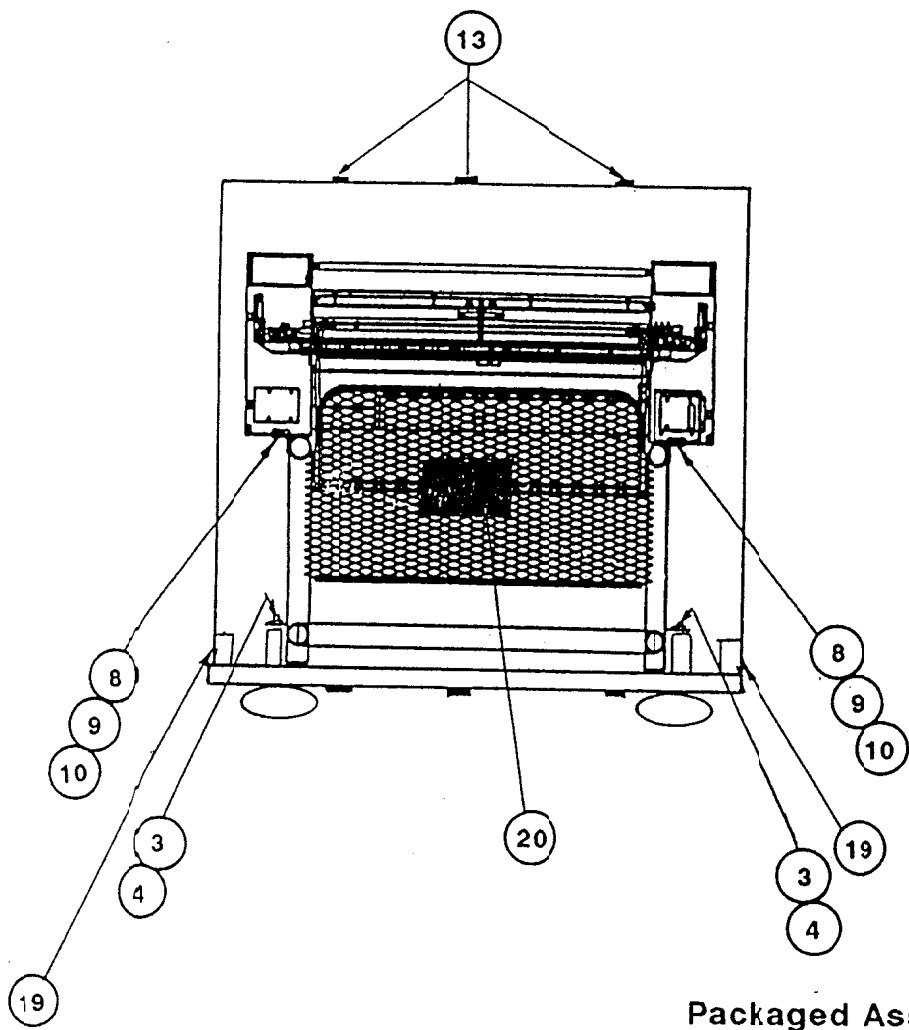
**NOTE:** The Northbrook Service Parts Department does not stock all hardware. To avoid delays, all standard hardware shown in this Parts List should be procured locally whenever possible.

## 8.0 PARTS LIST

### 7330 AutoCutter

Reference the following list of assembly drawings  
for part number identification:

Figure 8.1	Package Assembly
Figure 8.2	Cutter Block Assembly
Figure 8.3	Idle Roller Assembly
Figure 8.4	Counter Blade Mounting Bar Sub Assembly
Figure 8.5	Left Electrical Enclosure Case
Figure 8.6	Front View
Figure 8.7	Front View
Figure 8.8	Back View
Figure 8.9	Rear Guard Mounting
Figure 8.10	Guards - Left Case View
Figure 8.11	Guards - Right Case View
Figure 8.12	Left and Right Dancer Arm
Figure 8.13	Dancer Roller Assembly
Figure 8.14	Pinch Roller Pivot Assembly
Figure 8.15	Catch Tray Assembly
Figure 8.16	Dancer PC Board Mounting Assembly
Figure 8.17	Tolomatic/Cutter Assembly
Figure 8.18	LED Spanner Weldment Assembly
Figure 8.19	Final Assembly
Figure 8.20	Label Placement
Figure 8.21	Pneumatic System
Figure 8.22	Right Control Panel
Figure 8.23	Left Control Panel
Figure 8.24	Power Supply



Packaged Assy

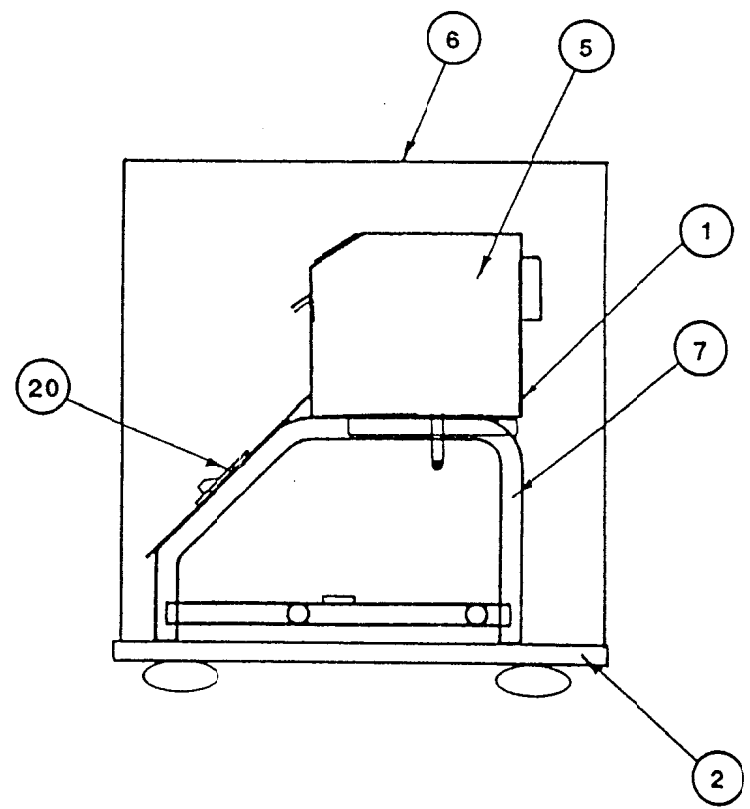
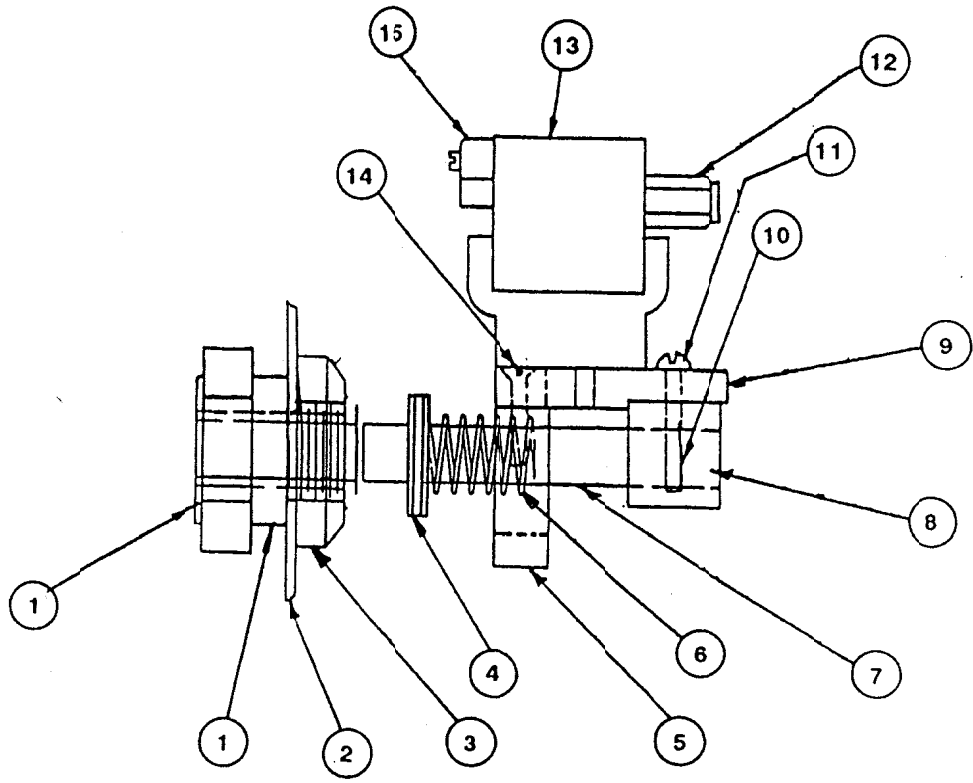


Figure 8.1

**8.0 PARTS LIST**  
**7330 AutoCutter**

FIGURE 8.1

ITEM	PART NO.	DESCRIPTION	QUANTITY PER MODEL		
			100 V (JAPAN)	115 VOLT	230 VOLT
1	1155000	MAST. NAME PLATE ELCT90D .....		1	
2	6900070	WOOD BASE W/SKID .....		1	
3	1925121	SHIM WASHER .....		2	
4	1915702	SCREW WOOD HEXHEAD .....		2	
5	6900001	AUTO CUTTER FIN. ASSY .....		1	
6	6005050	CARTON 7330 AUTO-CUT .....		1	
7	6900037	STAND CUTTER .....		1	
8	1925025	FLATWASHER 5/16 .....		4	
9	1926011	LOCK WASHER .....		4	
10	1951909	H.H. CAP SCREW 5/16-18 .....		4	
11	REF.	2 X 4 WOOD SUPPORT .....		1	
12	1107516	POLY BAG (SHELF) - NOT SHOWN .....		2	
13	1963505	POLYESTER STRAP .....		24'	
14	6000032	OPERATING INSTR.-NOT SHOWN .....		1	
15	1107518	POLY BAG (OP. INST.)-NOT SHOWN .....		2	
16	6176002	LEVELING PAD - NOT SHOWN .....		4	
17	1100458	SMALL PARTS BAG-NOT SHOWN .....		1	
18	1963145	TAPE-NOT SHOWN .....		8YD	
19	1955501	CAP NAIL .....		6	
20	REF	CATCH TRAY ASSY .....		REF	



CUTTER BLOCK ASS'Y

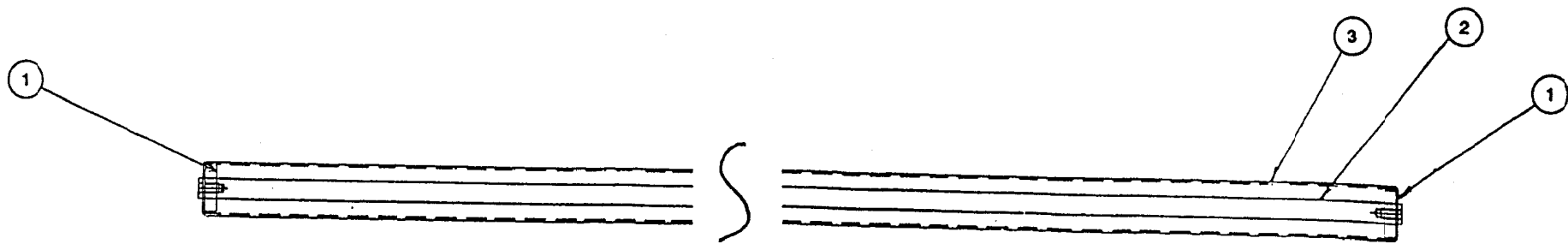
Figure 8.2

## 8.0 PARTS LIST

### 7330 AutoCutter

FIGURE 8.2

ITEM	PART NO.	DESCRIPTION	QUANTITY PER MODEL		
			100 V (JAPAN)	115 VOLT	230 VOLT
1	6900132	ROTARY BLADE MAIN BLOCK SUB AS .....		1	
2	6900060	ROTARY BLADE .....		1	
3	6900059	SELF LOCKING NUT, NO. 3 .....		1	
4	6173003	THRUST BEARING AND WASHERS .....		1	
5	6900053	ROTARY BLADE GUARD .....		1	
6	6178002	SPRING ROTARY BLADE .....		1	
7	6900131	ROTARY BLADE MTG SHAFT .....		1	
8	6900054	ROTARY BLADE MT. SHAFT MT. ....		1	
9	6900055	ROTARY BLADE MT. MAIN PL. ....		1	
10	1900004	SOCKET (HEX) SET SCR 10-32X1/4 .....		6	
11	1911112	10-32 X 3/4 P.H. SEMS PHILLIPS .....		22	
12	6900182	MALE CONNECTOR, 1/8 NPT X 5/16 .....		3	
13	6900169	TOLOMATIC BAND CYL .....		1	
14	1902615	10-32 X 1/2 FHCR .....		7	
15	6900026	WIRE HARNESS MAGNETIC SWITCH .....			REF



IDLE ROLLER ASSY

Figure 8.3

**8.0 PARTS LIST**  
**7330 AutoCutter**

FIGURE 8.3

ITEM	PART NO.	DESCRIPTION	QUANTITY PER MODEL		
			100 V (JAPAN)	115 VOLT	230 VOLT
1	1953402	FLANGED BEARING 3/8" ID .....		4	
2	6900087	SHAFT .....		2	
3	6900085	IDLE ROLLER .....		1	

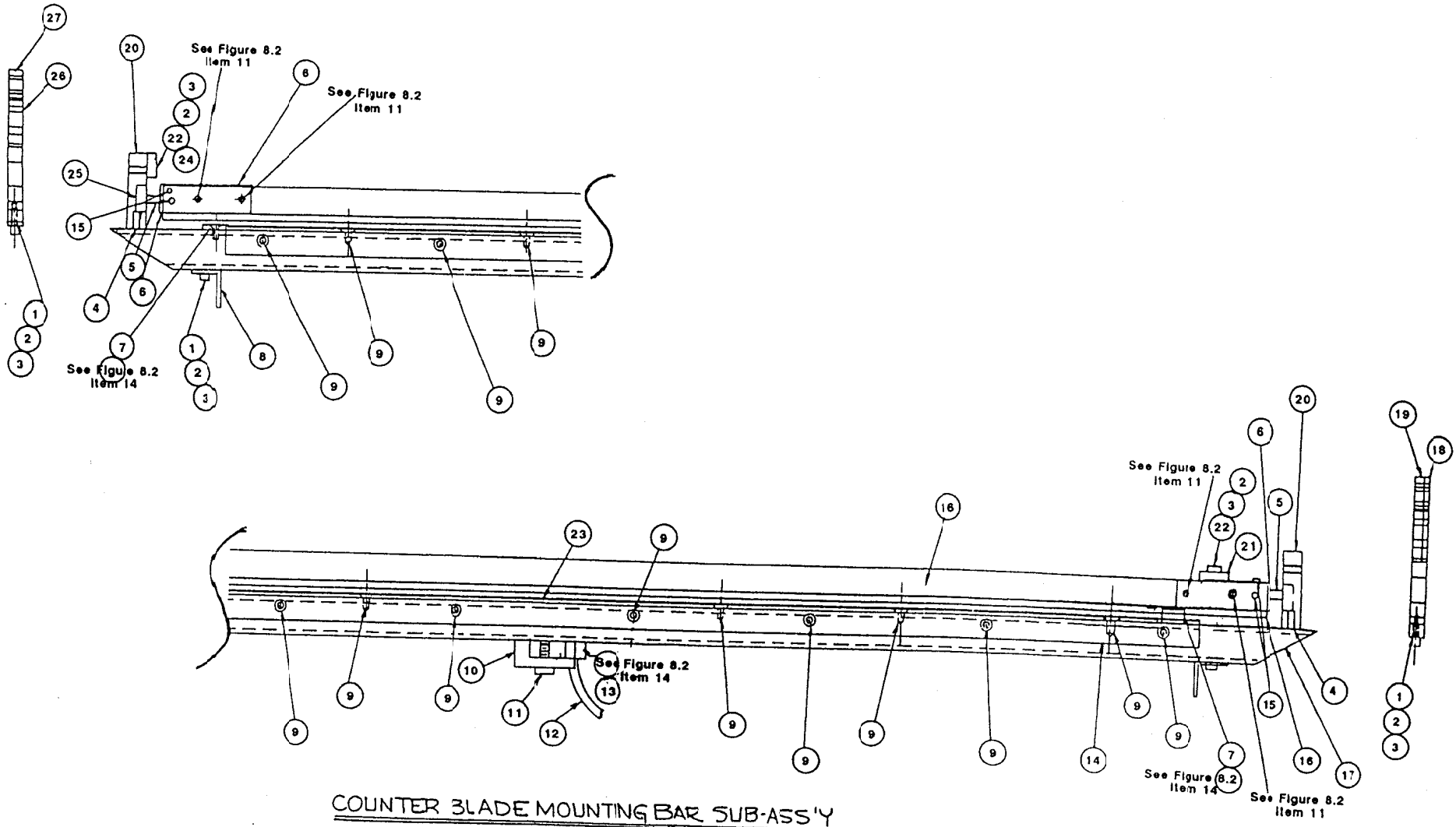


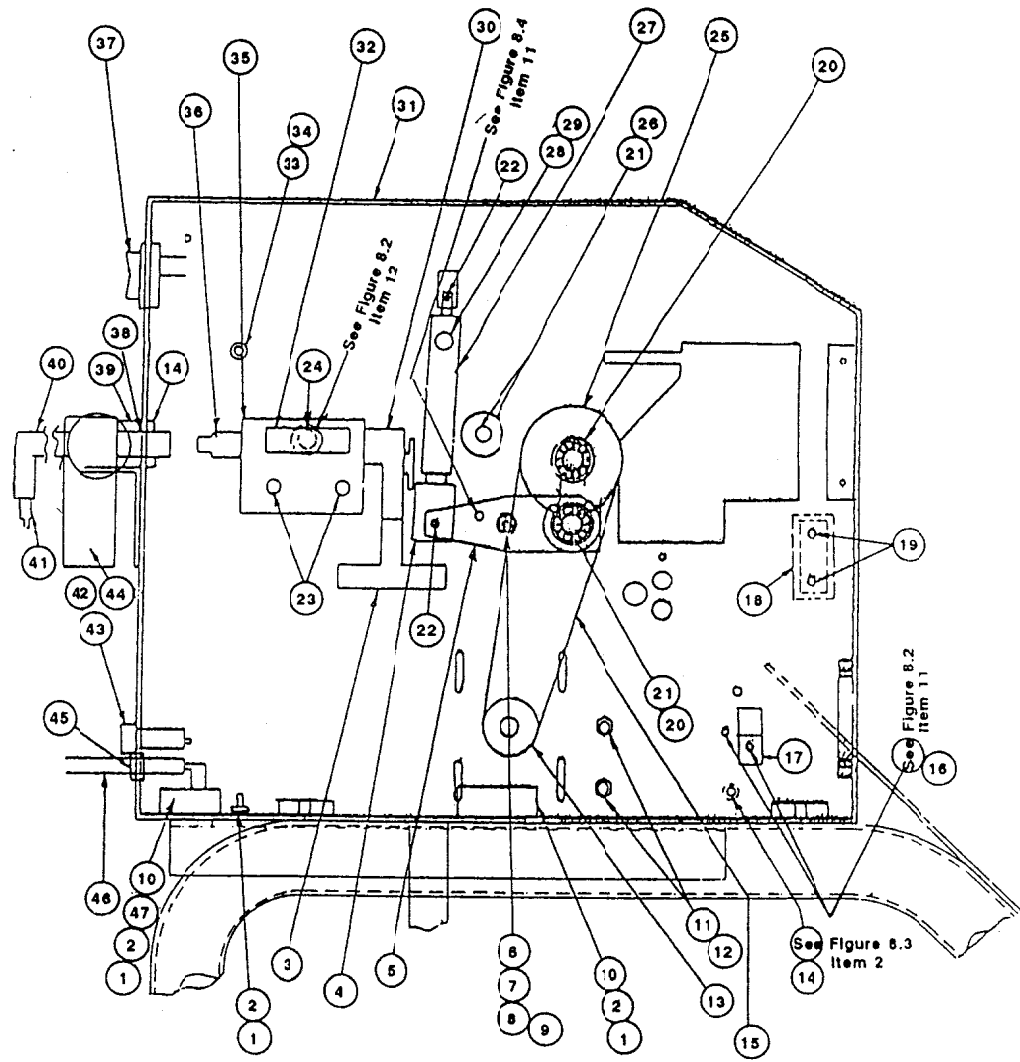
Figure 8.4

## 8.0 PARTS LIST

### 7330 AutoCutter

FIGURE 8.4

ITEM	PART NO.	DESCRIPTION	QUANTITY PER MODEL		
			100 V (JAPAN)	115 VOLT	230 VOLT
1	1900523	10-32 X 5/8 SHCS .....			
2	1925128	WASHER FLAT METAL .....		14	
3	1926016	LOCK WASHER #10 .....		28	
4	1911102	10-32 X 3/8 SEMS .....		18	
5	1954113	DOWEL PIN 1/4 X 3/4 .....		20	
6	6900067	CLAMP MT .....		2	
7	6900092	RAMP .....		2	
8	6900058	CUT BAR MT .....		2	
9	1900631	10-32 X 3/8 TORX FH .....		2	
10	6900114	LOWER LED CASE HOLDER .....		14	
11	1907406	10-32 X 1 HX HD SEMS .....		1	
12	6900015	WIRE HARNESS PH TRNS .....		1	
13	6900187	PHOTO TRANS CASE .....		1	
14	6900149	COUNTER BLADE .....		1	
15	1900002	SET SCREW 8-32 X 1/4 .....		1	
16	6900066	CLAMP .....		5	
17	6900050	COUNTER BLADE MTG BAR .....		1	
18	6900046	RIGHT TOL MT .....		1	
19	6900064	TOLOMATIC ASSY RIGHT .....		1	
20	6900069	CLAMP PIVOT .....		1	
21	6900038	CLAMP WEIGHT .....		2	
22	1900563	SOCKET CAP HD SCREW 10-32X3/4 .....		1	
23	6900051	SLIDE PLATE .....		6	
24	6900039	PIVOT STOP .....		1	
25	1953403	BALL BEARING .250 X .687 .....		1	
26	6900047	LEFT TOL. MTG .....		2	
27	6900065	TOLOMATIC ASSY LEFT .....		1	



LEFT ELECTRICAL ENCLOSURE CASE

Figure 8.5

## 8.0 PARTS LIST

### 7330 AutoCutter

FIGURE 8.5

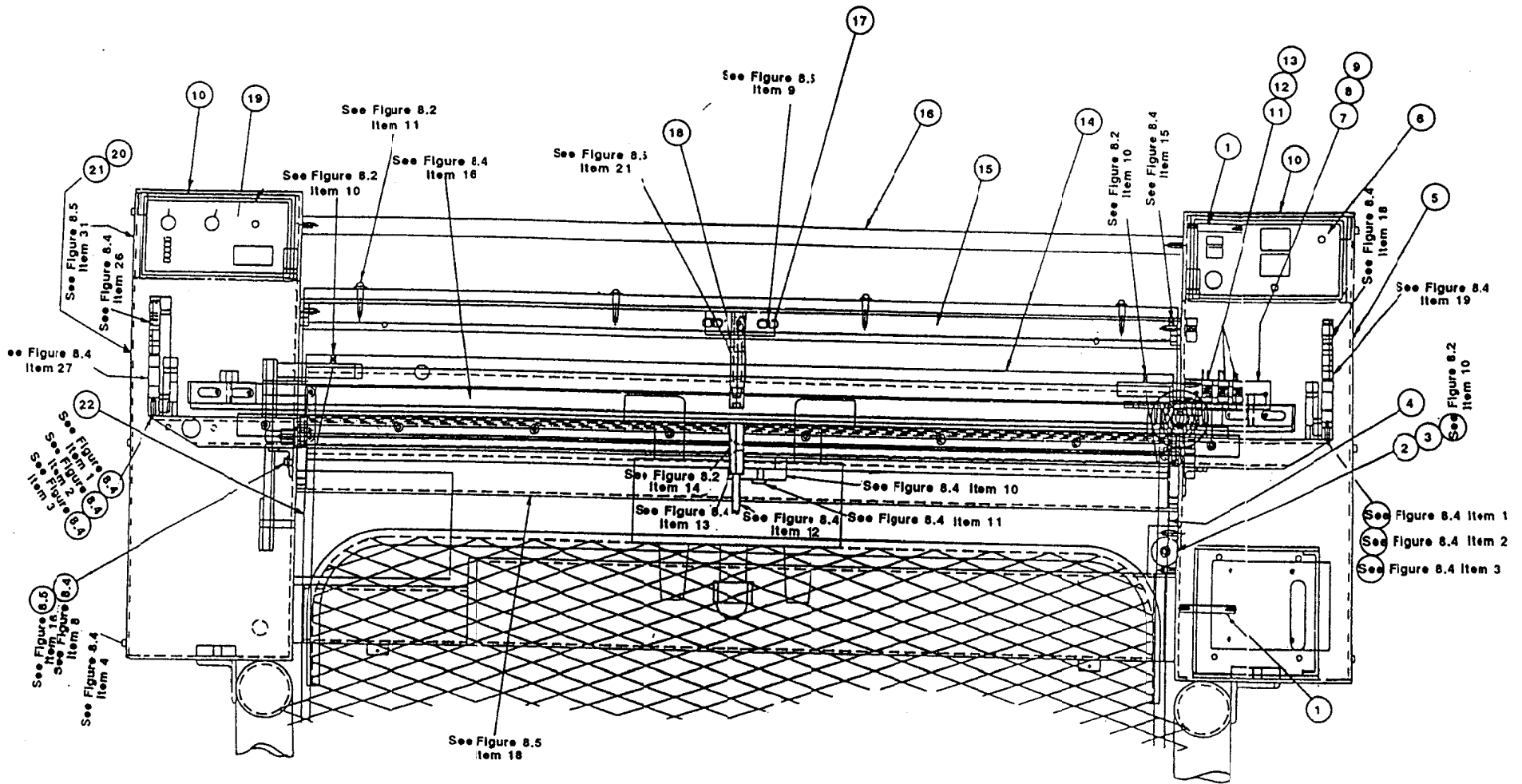
ITEM	PART NO.	DESCRIPTION	QUANTITY PER MODEL		
			100 V (JAPAN)	115 VOLT	230 VOLT
1	1926801	6-32 KEPS NUT .....		7	
2	1902613	6-32 X 5/8 FHCR .....		5	
3	6900165	MALE BRANCH TEE 1/8 NPT .....		1	
4	6900189	CLEVIS D-850, MODIFIED .....		1	
5	6900185	PINCH ROLLER PIVOT .....		2	
6	6900049	PINCH ROLLER PIVOT PIN .....		2	
7	1952027	BRONZE BUSHING .....		2	
8	1931705	COLLAR SHAFT 3/8 .....		2	
9	1911103	10-32 X 1/2 PH SEMS PHILLIPS .....		14	
10	6196003	TERMINAL STRIP .....		2	
11	1926011	5/16 LOCK WASHER .....		4	
12	1951901	HEXAGON HD CAP SCREW 5/16-18 .....		4	
13	6182000	TIMING PULLEY, 16 TOOTH .....		1	
14	1911107	10-32 X 5/8 SEMS .....		4	
15	6184000	TIMING BELT .....		1	
16	1926822	10-32 WIZLOCK NUT .....		5	
17	1931007	CABLE CLAMP - PLASTIC 1/4 .....		3	
18	6900034	FRAME CROSS MEMBER .....		1	
19	1911122	1/4-20 X 3/4 PHCR SEMS .....		4	
20	1953404	BEARING .....		6	
21	1931703	COLLAR SHAFT 1/2" .....		3	
22	1900827	SOCKET HD SCREW 10-24 X .500 .....		6	
23	1902929	8-32 X 1 1/8 RHCR .....		2	
24	6900177	5/16 AIR HOSE TO SOL X 1 1/2" .....		1	
25	6182001	TIMING PULLEY, 32 TOOTH .....		1	
26	6900048	LEFT DANCER PIVOT PIN .....		1	
27	6900190	BIMBA 9/16 CYLINDER-MODIFIED .....		1	
28	6900183	MALE CONNECTOR 10-32 X 1/8 NPT .....		1	
29	6900153	MALE CONNECTOR 1/8 NPT .....		1	
30	6900164	FLOW CONTROL .....		1	
31	6900094	LEFT E. CASE .....		1	
32	6900163	UNION TEE - 5/16 .....		1	
33	1900806	SHOULDER SCREW 10-24 X 3/8 .....		1	
34	1925005	9/32 X 5/8 WASHER .....		2	
35	6900148	SOLENOID VALVE-TERMINATED .....		1	
36	6900162	SPEED CONTROL MUFFLER .....		1	
37	1132274	SWITCH, ROCKET NON .....		1	

## 8.0 PARTS LIST

### 7330 AutoCutter

FIGURE 8.5

ITEM	PART NO.	DESCRIPTION	QUANTITY PER MODEL		
			100 V (JAPAN)	115 VOLT	230 VOLT
38	6900168	PRESS REGULATOR FITTING .....		2	
39	1925162	SPACER WASHER .....		2	
40	6900181	1/4" NPT ELBOW FEMALE TO MALE .....		1	
41	6900193	1/4 NPT MPT AIR PLUG .....		1	
42	1107033	FUSE - 2 AMP .....		1	
43	1132343	FUSE HOLDER .....		1	
44	6900161	PRESSURE REGULATOR .....		1	
45	1952414	CORD STRAIN RELIEF .....		1	
46	6200031	SVC LINE CORD SET .....		1	
47	6190005	JUMPER, TERMINAL BLOCK .....		1	



FRONT VIEW

Figure 8.6

## 8.0 PARTS LIST

### 7330 AutoCutter

FIGURE 8.6

ITEM	PART NO.	DESCRIPTION	QUANTITY PER MODEL		
			100 V (JAPAN)	115 VOLT	230 VOLT
1	1924802	2 3/4" SPACER .....		4	
2	6900076	SHOCK ABSORBER MT .....		1	
3	6900188	SHOCK ABSORBER .....		1	
4	6900090	LEFT ROLLER ARM .....		1	
5	6900099	RIGHT E. CASE .....		1	
6	6900138	RT CTRL PANEL-SEE FIGURE 8.22 .....		1	
7	6900075	DANCER ASSEMBLY PCB MT .....		1	
8	6900020	DANCER PCB ASSY .....		1	
9	1952252	SPACER STD 1/4 .....		2	
10	6900074	PANEL RING .....		2	
11	6900096	FLAG 5/16" .....		1	
12	6900097	FLAG 3/8" .....		1	
13	6900098	FLAG 7/16" .....		1	
14	6900043	DANCER-PIVOT BAR ASSY .....		1	
15	6900040	LED SPANNER WELDMENT .....		1	
16	6900071	SPANENR 5/8" ROUND .....		1	
17	6900113	LED HOLDER MT .....		1	
18	6900112	LED CASE .....		1	
19	6900139	LEFT CTRL PANEL-SEE FIG 8.23 .....		1	
20	6900032	COVER PANEL DOOR .....		2	
21	1156188	LABEL, NO USER S.P. ....		2	
22	6900089	RIGHT ROLLER ARM .....		1	

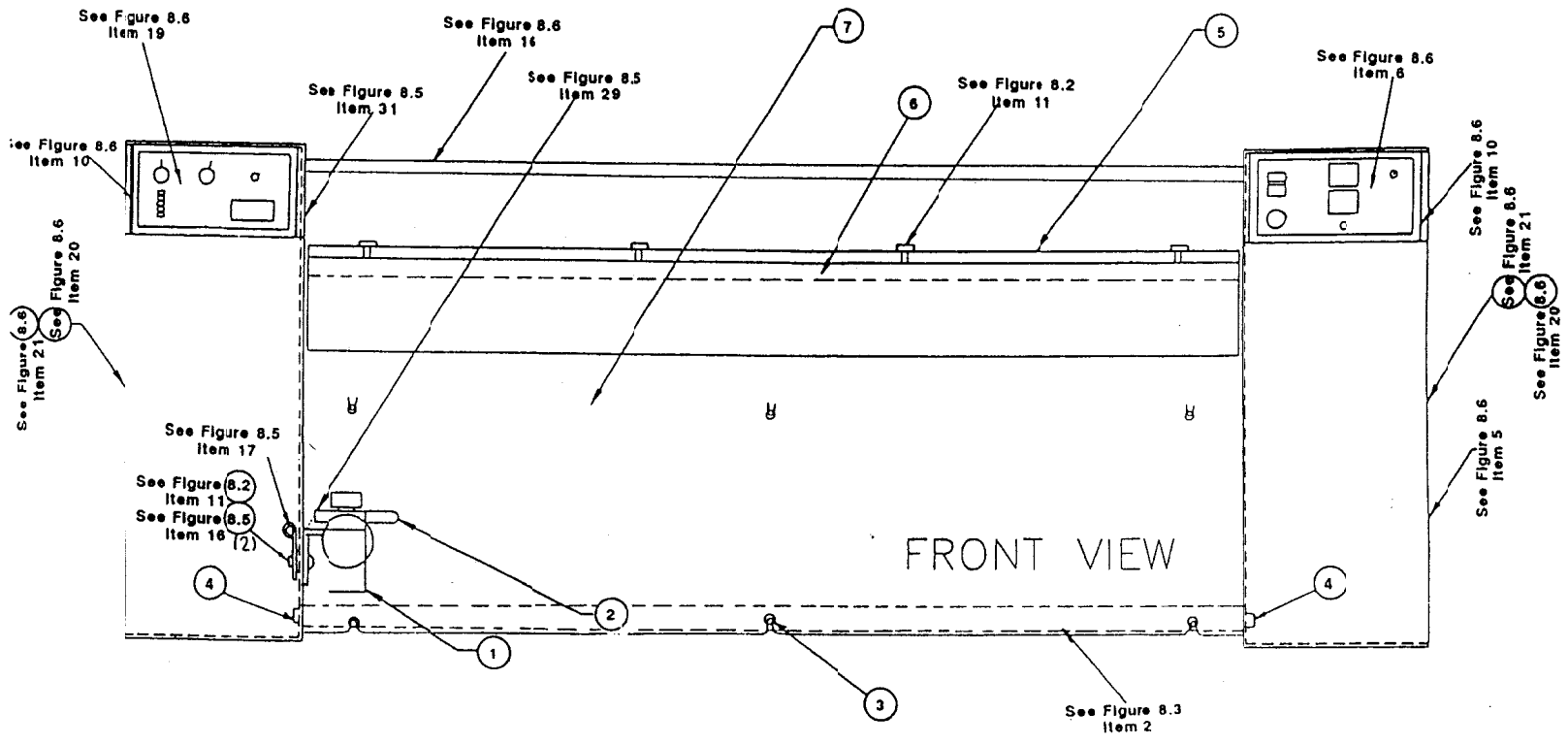


Figure 8.7

**8.0 PARTS LIST**  
**7330 AutoCutter**

FIGURE 8.7

ITEM	PART NO.	DESCRIPTION	QUANTITY PER MODEL		
			100 V (JAPAN)	115 VOLT	230 VOLT
1	6900173	MINI REGULATOR (WITH BRKT) .....		1	
2	6900152	MALE SWIVEL ELBOW 1/8 NPT .....		2	
3	1905009	SHEET METAL PAN HD SCREW .....		8	
4	1902602	10-32 X 5/8 FHCR .....		6	
5	6900072	LID ASSEMBLY .....		1	
6	6900091	LID MOUNT .....		1	
7	6900033	FRONT COVER .....		1	

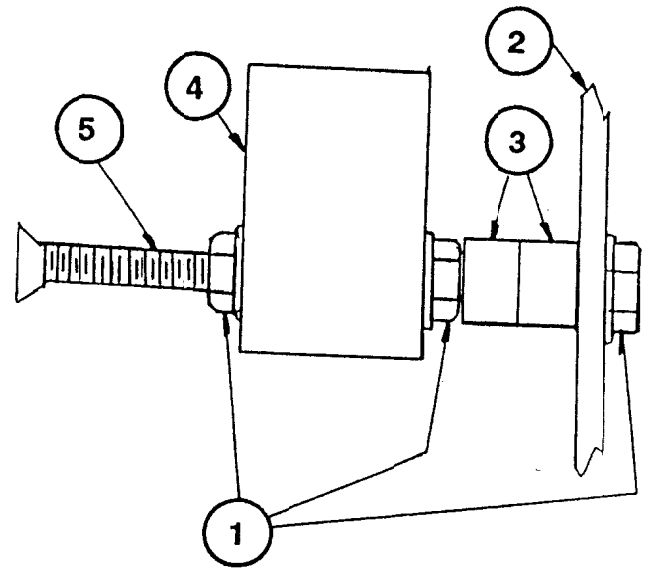


## 8.0 PARTS LIST

### 7330 AutoCutter

FIGURE 8.8

ITEM	PART NO.	DESCRIPTION	QUANTITY PER MODEL		
			100 V (JAPAN)	115 VOLT	230 VOLT
1	6208021	STEPPER MOTOR - TERMINATED .....		1	
2	6900077	RESERVOIR TANK WELDM'T .....		1	
3	6900155	SWIVEL ELBOW 1/4 NPT .....		3	
4	6900159	AIR MUFFLER 1/4 NPT .....		2	
5	6900135	1/4" NPT STREET EL .....		1	
6	6900157	CLOSE NIPPLE 1/4 NPT .....		2	
7	6900124	PINCH ROLLER .....		1	
8	6900123	DRIVE ROLLER .....		1	
9	1900833	10-24 X 5/8 SHOULDER SCREW .....		1	
10	6900093	LEVER - LID SWITCH .....		1	



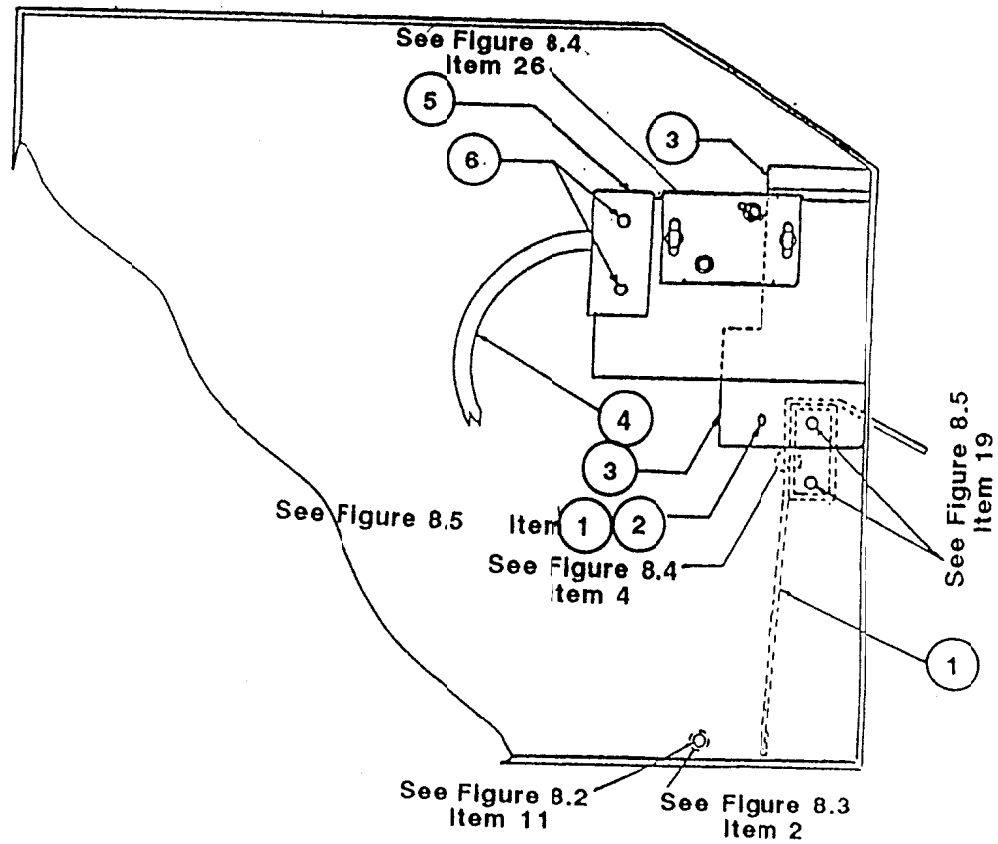
REAR GUARD MOUNTING

Figure 8.9

**8.0 PARTS LIST**  
**7330 AutoCutter**

FIGURE 8.9

ITEM	PART NO.	DESCRIPTION	QUANTITY PER MODEL		
			100 V (JAPAN)	115 VOLT	230 VOLT
1	1926823	1/4 - 20 WIZLOCK .....		6	
2	6900194	REAR MACHINE GUARD .....		1	
3	1925302	3/8" NYLON SPACER .....		4	
4	6900192	SOLENOID, TERMINATED .....		1	
5	1902642	1/4-20 X 4 FHM SCREW .....		2	



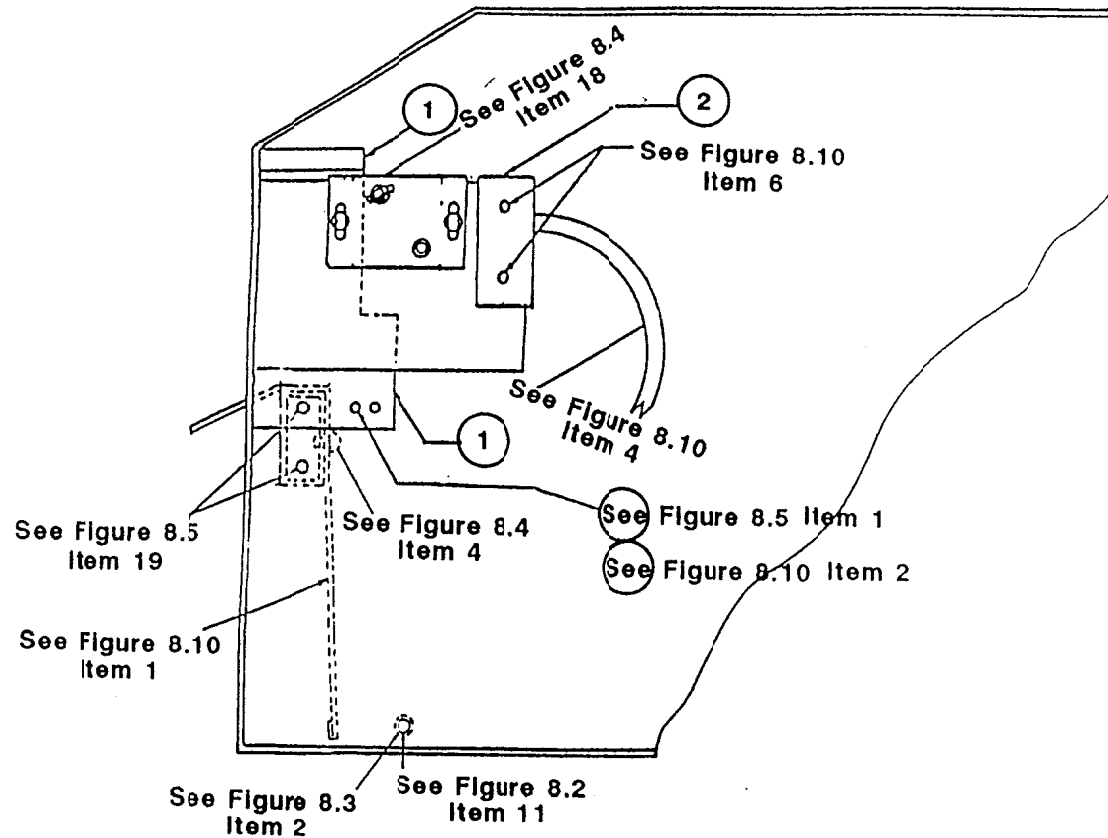
GUARDS - LEFT CASE VIEW

Figure 8.10

**8.0 PARTS LIST**  
**7330 AutoCutter**

FIGURE 8.10

ITEM	PART NO.	DESCRIPTION	QUANTITY PER MODEL		
			100 V (JAPAN)	115 VOLT	230 VOLT
1	6900195	BOTTOM EXIT CHUTE GUARD .....		1	
2	1902815	SCREW 6-32 X 1/2 PHCR .....		22	
3	6900197	LEFT ELECT CASE - FRONT GUARD .....		1	
4	6900175	5/16 AIR HOSE SOLENOID TO BAND .....		3	
5	6900199	LEFT ELECT CASE - REAR GUARD .....		1	
6	1911118	8-32 X 5/8 PH SEMS .....		8	



GUARD-RIGHT CASE VIEW

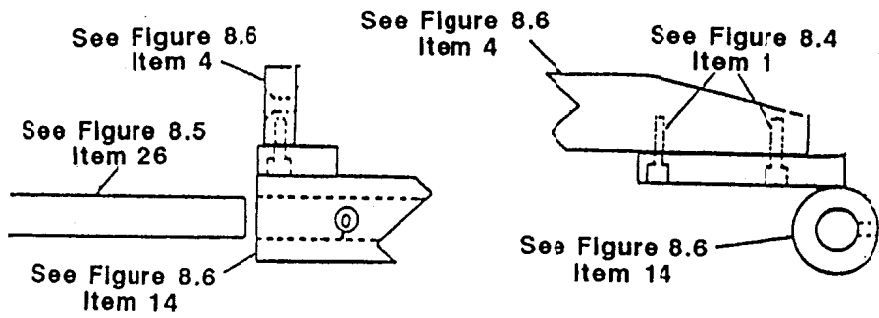
Figure 8.11

## 8.0 PARTS LIST

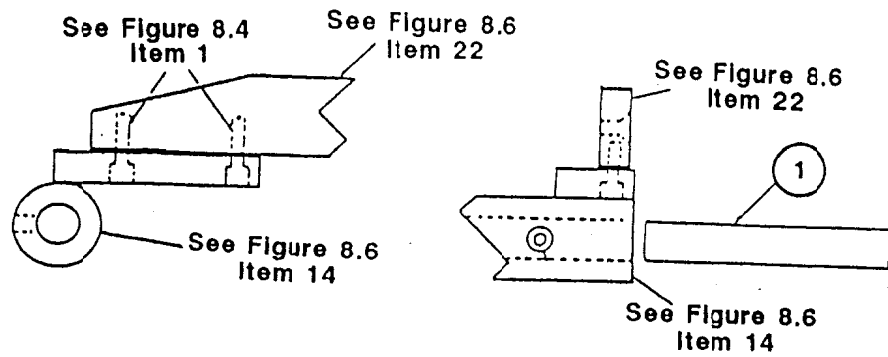
### 7330 AutoCutter

FIGURE 8.11

ITEM	PART NO.	DESCRIPTION	QUANTITY PER MODEL		
			100 V (JAPAN)	115 VOLT	230 VOLT
1	6900196	RIGHT ELECT CASE - FRONT GUARD .....		1	
2	6900198	RIGHT ELECT CASE - REAR GUARD .....		1	



LEFT DANCER ARM



RIGHT DANCER ARM

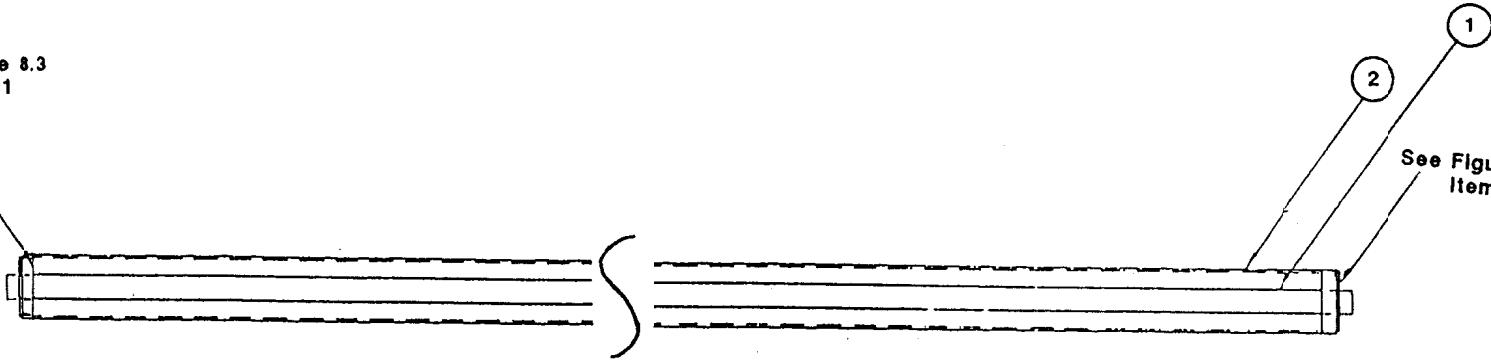
Figure 8.12

**8.0 PARTS LIST**  
**7330 AutoCutter**

FIGURE 8.12

ITEM	PART NO.	DESCRIPTION	QUANTITY PER MODEL		
			100 V (JAPAN)	115 VOLT	230 VOLT
1	6900095	FLAG PIN .....		1	

See Figure 8.3  
Item 1



See Figure 8.3  
Item 1

DANCER ROLLER ASS'Y

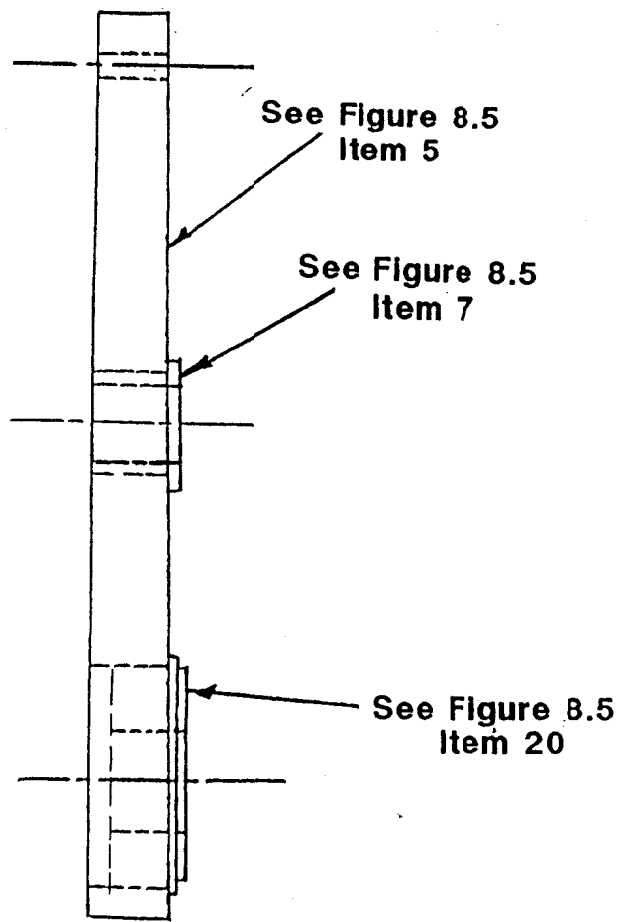
Figure 8.13

# 8.0 PARTS LIST

## 7330 AutoCutter

FIGURE 8.13

ITEM	PART NO.	DESCRIPTION	QUANTITY PER MODEL		
			100 V (JAPAN)	115 VOLT	230 VOLT
1	6900088	DANCER ROLLER SHAFT .....		1	
2	6900086	DANCER ROLLER .....		1	



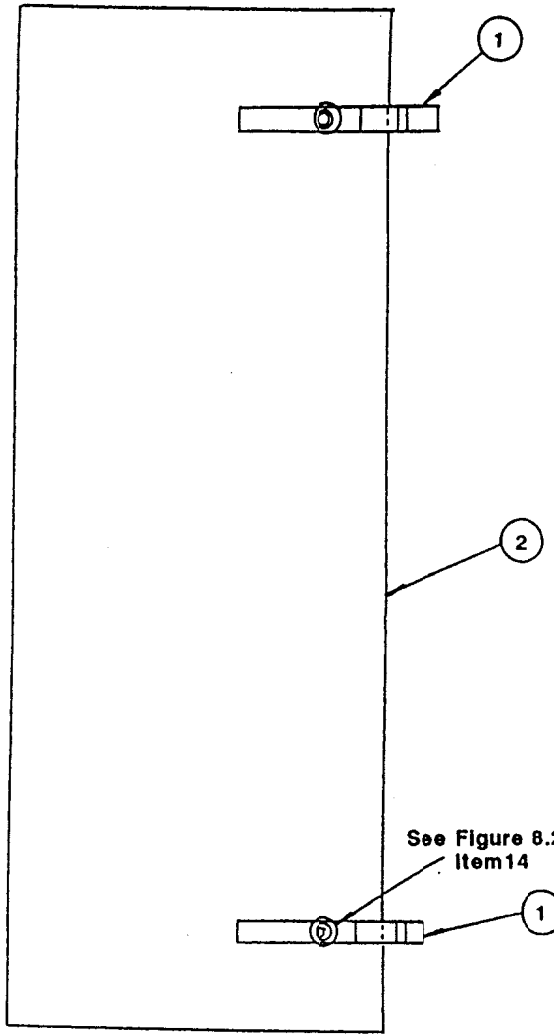
PINCH ROLLER PIVOT ASS'Y

Figure 8.14

**8.0 PARTS LIST**  
**7330 AutoCutter**

FIGURE 8.14

ITEM	PART NO.	DESCRIPTION	QUANTITY PER MODEL		
			100 V	115	230
		REFERENCE OTHER FIGURES .....	(JAPAN)	VOLT	VOLT



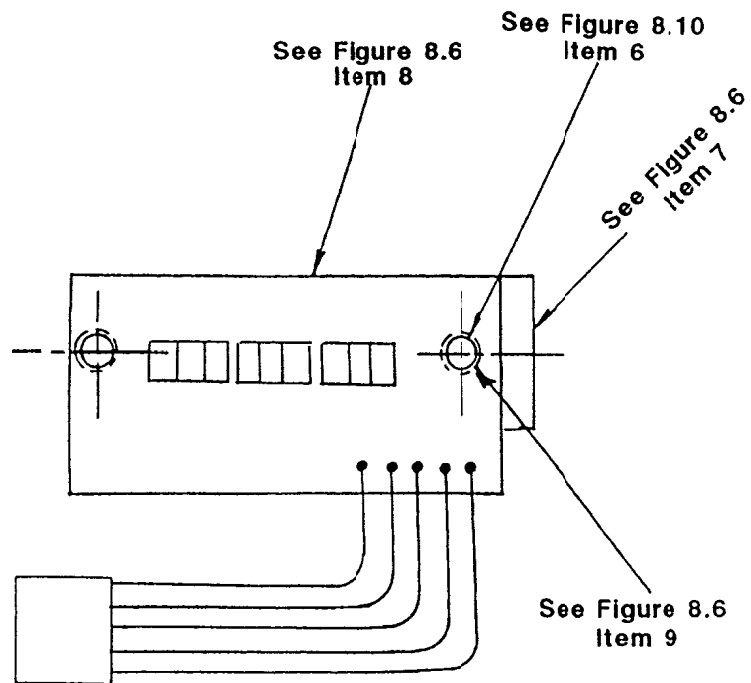
CATCH TRAY ASS'Y

Figure 8.15

**8.0 PARTS LIST**  
**7330 AutoCutter**

FIGURE 8.15

ITEM	PART NO.	DESCRIPTION	QUANTITY PER MODEL		
			100 V (JAPAN)	115 VOLT	230 VOLT
1	6900057	CATCH TRAY ARM .....		2	
2	6900056	CATCH TRAY PLATE .....		1	



DANCER PC BOARD

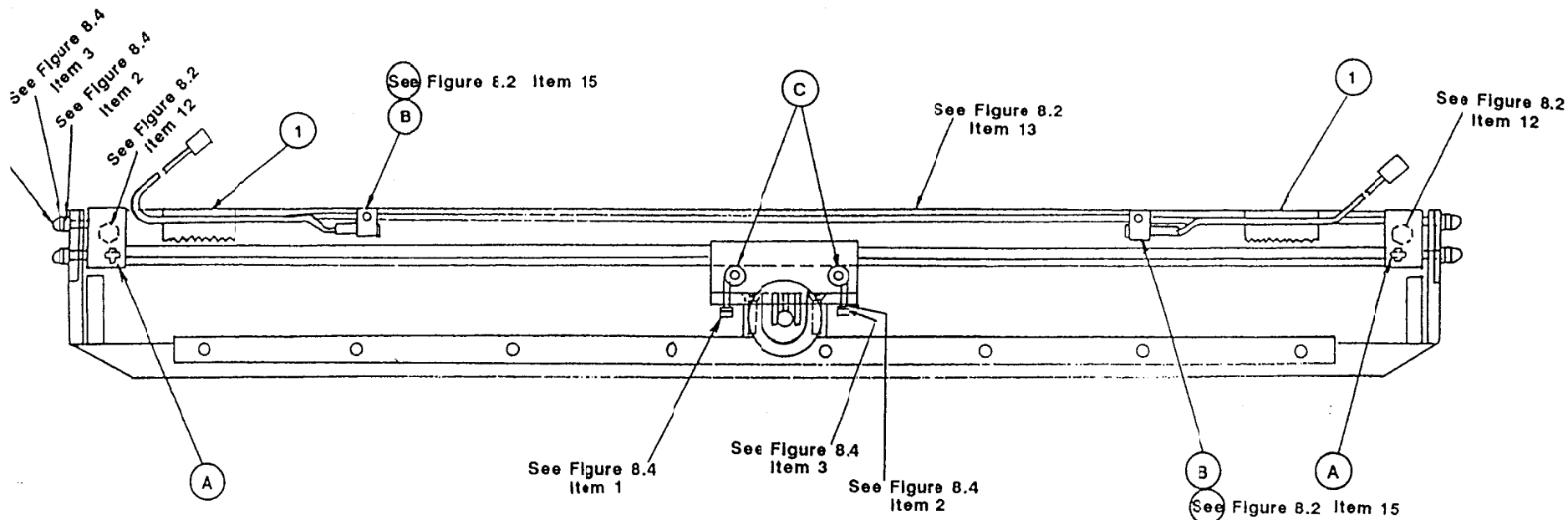
MOUNTING ASS'Y

Figure 8.16

**8.0 PARTS LIST**  
**7330 AutoCutter**

FIGURE 8.16

ITEM	PART NO.	DESCRIPTION	QUANTITY PER MODEL		
			100 V (JAPAN)	115 VOLT	230 VOLT
		REFERENCE OTHER FIGURES .....			



- (A) AIR CLSHION ADJUSTING SCREWS (2)
- (B) REED SWITCHES AND CLAMPS (2)
- (C) SLIDE ACTION ADJUSTING SCREWS (2)

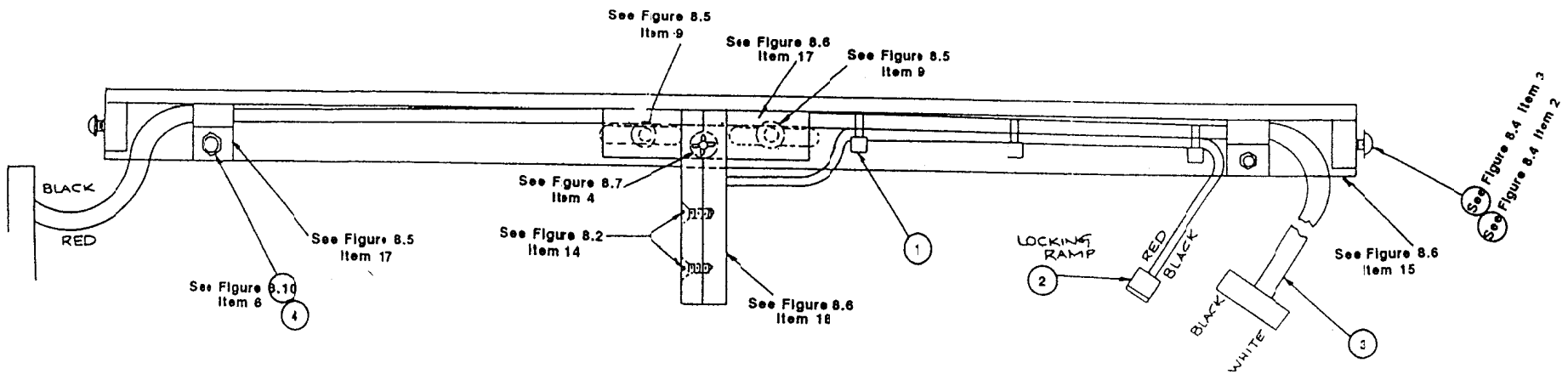
TOLOMATIC/CUTTER ASS'Y

Figure 8.17

**8.0 PARTS LIST**  
**7330 AutoCutter**

FIGURE 8.17

ITEM	PART NO.	DESCRIPTION	QUANTITY PER MODEL		
			100 V (JAPAN)	115 VOLT	230 VOLT
1	1963106	2" CLEAR TAPE .....		1	
2	1902212	SCREW 10-24 X 3/4 CAP SCREW .....		4	



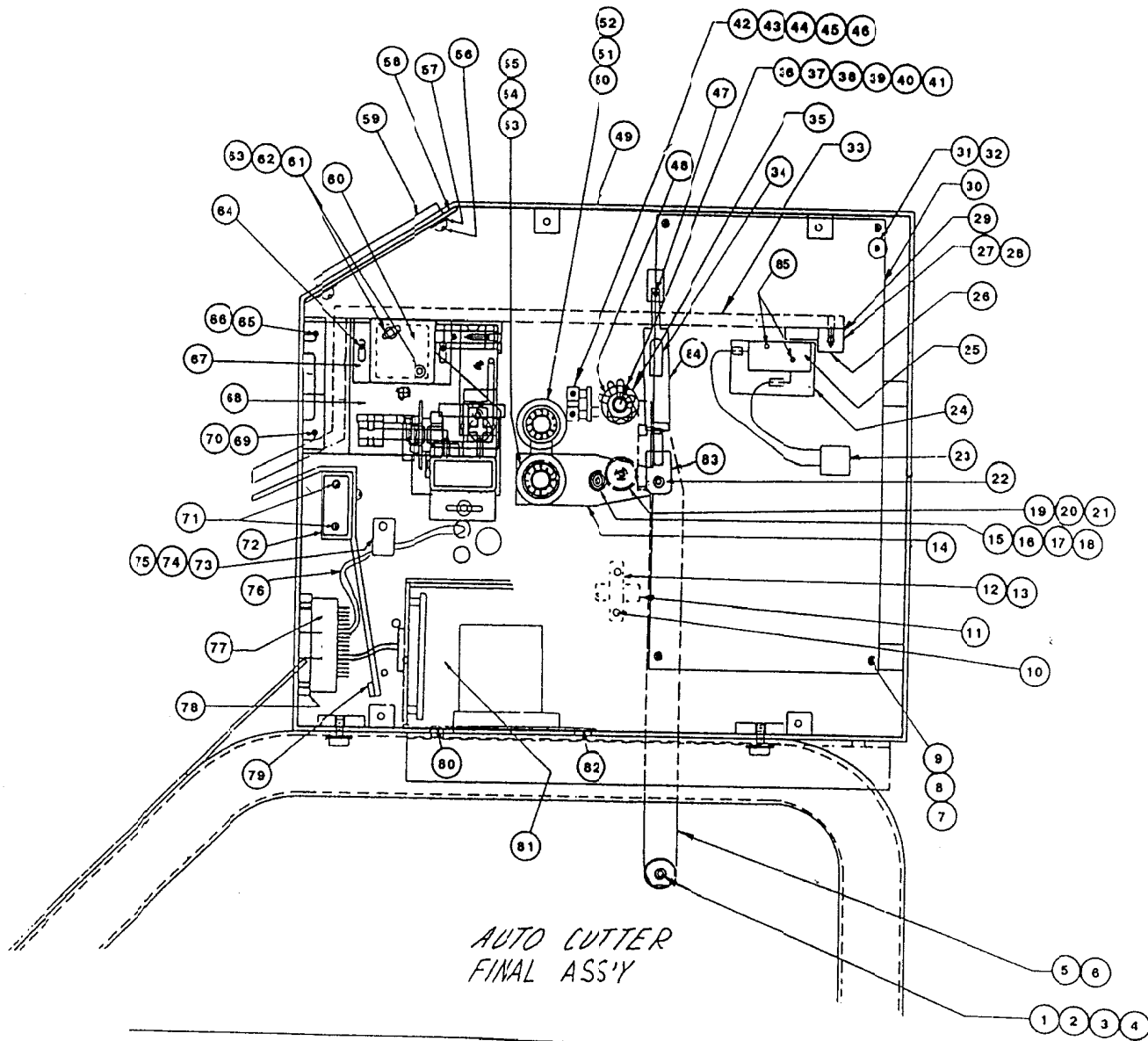
LED SPANNER WELDMENT ASSEMBLY

Figure 8.18

**8.0 PARTS LIST**  
**7330 AutoCutter**

FIGURE 8.18

ITEM	PART NO.	DESCRIPTION	QUANTITY PER MODEL		
			100 V (JAPAN)	115 VOLT	230 VOLT
1	1932121	CABLE TIE .....		3	
2	6900013	WIRE HARNESS PHOTO LED ASSY .....		1	
3	6900012	WIRE HARNESS - TRANS I .....		1	
4	1926802	8-32 KEPS NUT .....		2	



AUTO CUTTER  
FINAL ASS'Y

Figure 8.19

# 8.0 PARTS LIST

## 7330 AutoCutter

FIGURE 8.19

ITEM	PART NO.	DESCRIPTION	QUANTITY PER MODEL		
			100 V (JAPAN)	115 VOLT	230 VOLT
1		SEE FIGURE 8.7 ITEM 4 .....			
2		SEE FIGURE 8.13 ITEM 1 .....			
3		SEE FIGURE 8.13 ITEM 2 .....			
4		SEE FIGURE 8.3 ITEM 1 .....			
5		SEE FIGURE 8.6 ITEM 22 .....			
6		SEE FIGURE 8.6 ITEM 4 .....			
7	1926005	#6 LOCK WASHER .....			18
8	1902818	SCREW 6-32 X 3/8 PHCR .....			12
9		SEE FIGURE 8.6 ITEM 1 .....			
10		SEE FIGURE 8.5 ITEM 9 .....			
11		SEE FIGURE 8.6 ITEM 3 .....			
12		SEE FIGURE 8.6 ITEM 2 .....			
13		SEE FIGURE 8.2 ITEM 10 .....			
14		SEE FIGURE 8.5 ITEM 5 .....			
15		SEE FIGURE 8.5 ITEM 6 .....			
16		SEE FIGURE 8.5 ITEM 7 .....			
17		SEE FIGURE 8.5 ITEM 8 .....			
18		SEE FIGURE 8.5 ITEM 9 .....			
19		SEE FIGURE 8.3 ITEM 3 .....			
20		SEE FIGURE 8.3 ITEM 2 .....			
21		SEE FIGURE 8.7 ITEM 4 .....			
22		SEE FIGURE 8.5 ITEM 22 .....			
23	6900025	WIRE HARNESS LID SWITCH .....			1
24	1146539	LID SWITCH INSULATOR .....			1
25	1131973	LID SWITCH .....			1
26		SEE FIGURE 8.2 ITEM 10 .....			
27		SEE FIGURE 8.8 ITEM 10 .....			
28		SEE FIGURE 8.8 ITEM 9 .....			
29		SEE FIGURE 8.7 ITEM 6 .....			
30	6900021	LOGIC PCB CALIBRATED .....			1
31		SEE FIGURE 8.6 ITEM 16 .....			
32		SEE FIGURE 8.5 ITEM 9 .....			
33		SEE FIGURE 8.7 ITEM 5 .....			
34		SEE FIGURE 8.7 ITEM 2 .....			
35		SEE FIGURE 8.6 ITEM 14 .....			
36		SEE FIGURE 8.6 ITEM 11 .....			
37		SEE FIGURE 8.6 ITEM 12 .....			

# 8.0 PARTS LIST

## 7330 AutoCutter

FIGURE 8.19

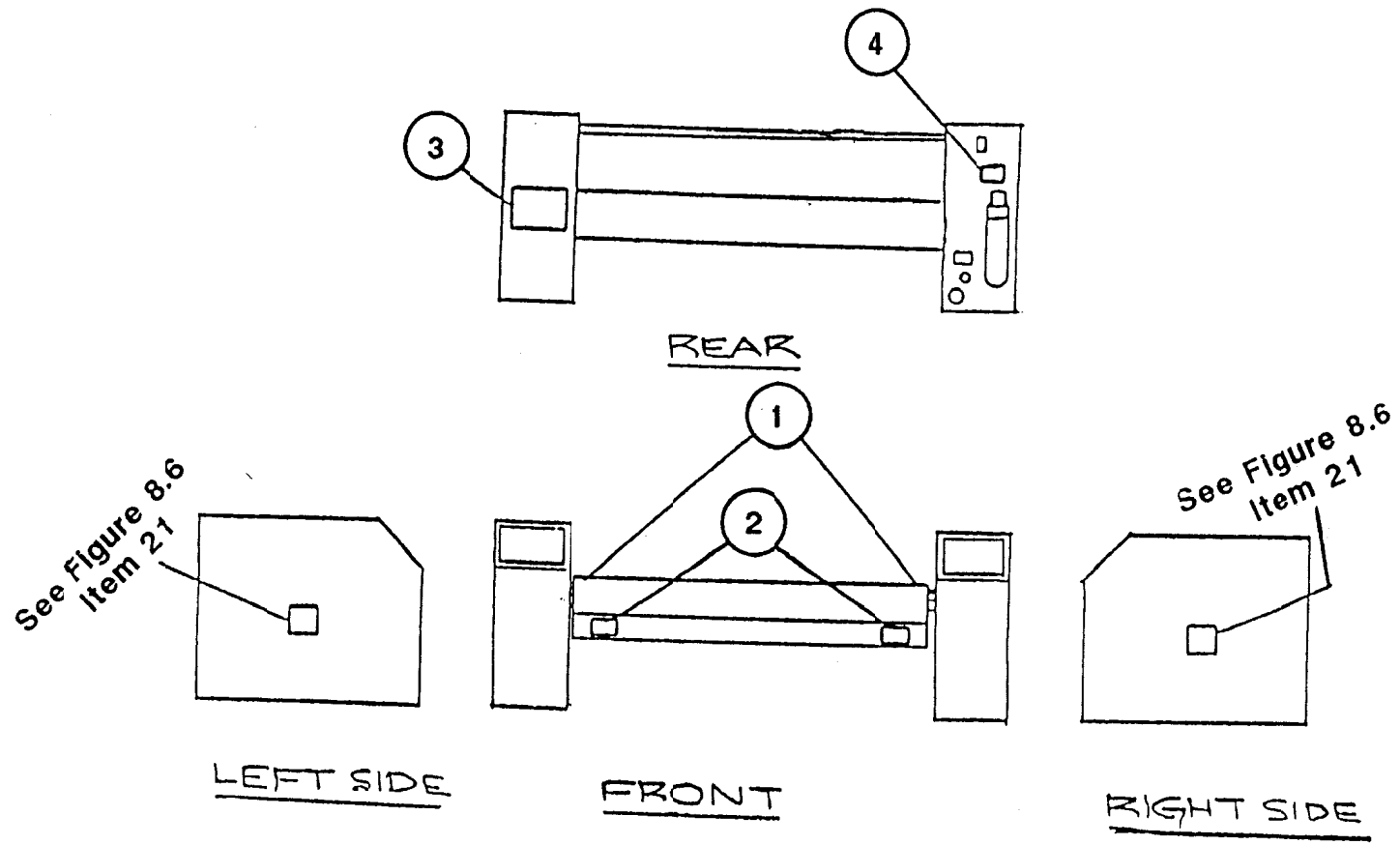
ITEM	PART NO.	DESCRIPTION	QUANTITY PER MODEL		
			100 V	115	230
			(JAPAN)	VOLT	VOLT
38		SEE FIGURE 8.6 ITEM 13 .....			
39		SEE FIGURE 8.12 ITEM 1 .....			
40		SEE FIGURE 8.5 ITEM 21 .....			
41		SEE FIGURE 8.2 ITEM 10 .....			
42		SEE FIGURE 8.6 ITEM 7 .....			
43		SEE FIGURE 8.6 ITEM 9 .....			
44		SEE FIGURE 8.6 ITEM 8 .....			
45		SEE FIGURE 8.5 ITEM 9 .....			
46		SEE FIGURE 8.10 ITEM 6 .....			
47		SEE FIGURE 8.5 ITEM 22 .....			
48		SEE FIGURE 8.5 ITEM 20 .....			
49		SEE FIGURE 8.6 ITEM 5 .....			
50		SEE FIGURE 8.8 ITEM 8 .....			
51		SEE FIGURE 8.5 ITEM 20 .....			
52		SEE FIGURE 8.5 ITEM 21 .....			
53		SEE FIGURE 8.5 ITEM 20 .....			
54		SEE FIGURE 8.8 ITEM 7 .....			
55		SEE FIGURE 8.5 ITEM 21 .....			
56		SEE FIGURE 8.10 ITEM 2 .....			
57		SEE FIGURE 8.19 ITEM 7 .....			
58		SEE FIGURE 8.6 ITEM 6 .....			
59		SEE FIGURE 8.6 ITEM 10 .....			
60		SEE FIGURE 8.2 ITEM 13 .....			
61		SEE FIGURE 8.17 ITEM 2 .....			
62		SEE FIGURE 8.4 ITEM 3 .....			
63		SEE FIGURE 8.4 ITEM 2 .....			
64		SEE FIGURE 8.5 ITEM 9 .....			
65		SEE FIGURE 8.2 ITEM 11 .....			
66		SEE FIGURE 8.4 ITEM 2 .....			
67		SEE FIGURE 8.4 ITEM 18 .....			
68		SEE FIGURE 8.4 ITEM 19 .....			
69		SEE FIGURE 8.2 ITEM 11 .....			
70		SEE FIGURE 8.4 ITEM 2 .....			
71		SEE FIGURE 8.5 ITEM 19 .....			
72		SEE FIGURE 8.5 ITEM 18 .....			
73		SEE FIGURE 8.5 ITEM 17 .....			
74		SEE FIGURE 8.19 ITEM 8 .....			

## 8.0 PARTS LIST

### 7330 AutoCutter

FIGURE 8.19

ITEM	PART NO.	DESCRIPTION	QUANTITY PER MODEL		
			100 V (JAPAN)	115 VOLT	230 VOLT
75		SEE FIGURE 8.5 ITEM 1 .....			
76		SEE FIGURE 8.18 ITEM 3 .....			
77	6190000	TRANSLATOR SUPERIOR .....		1	
78	1903207	HEX HEAD FLANGE LOCK .....		4	
79		SEE FIGURE 8.10 ITEM 1 .....			
80		SEE FIGURE 8.2 ITEM 14 .....			
81	6193003	POWER SUPPLY-SEE FIGURE 8.24 .....		1	
82		SEE FIGURE 8.2 ITEM 14 .....			
83	6900191	PISTON ROD CLEVIS - MODIFIED .....		1	
84	6900166	AIR CYL 3/4 BORE .....		1	
85	1902840	SCREW 4-40 X 3/4 PHCR .....		2	



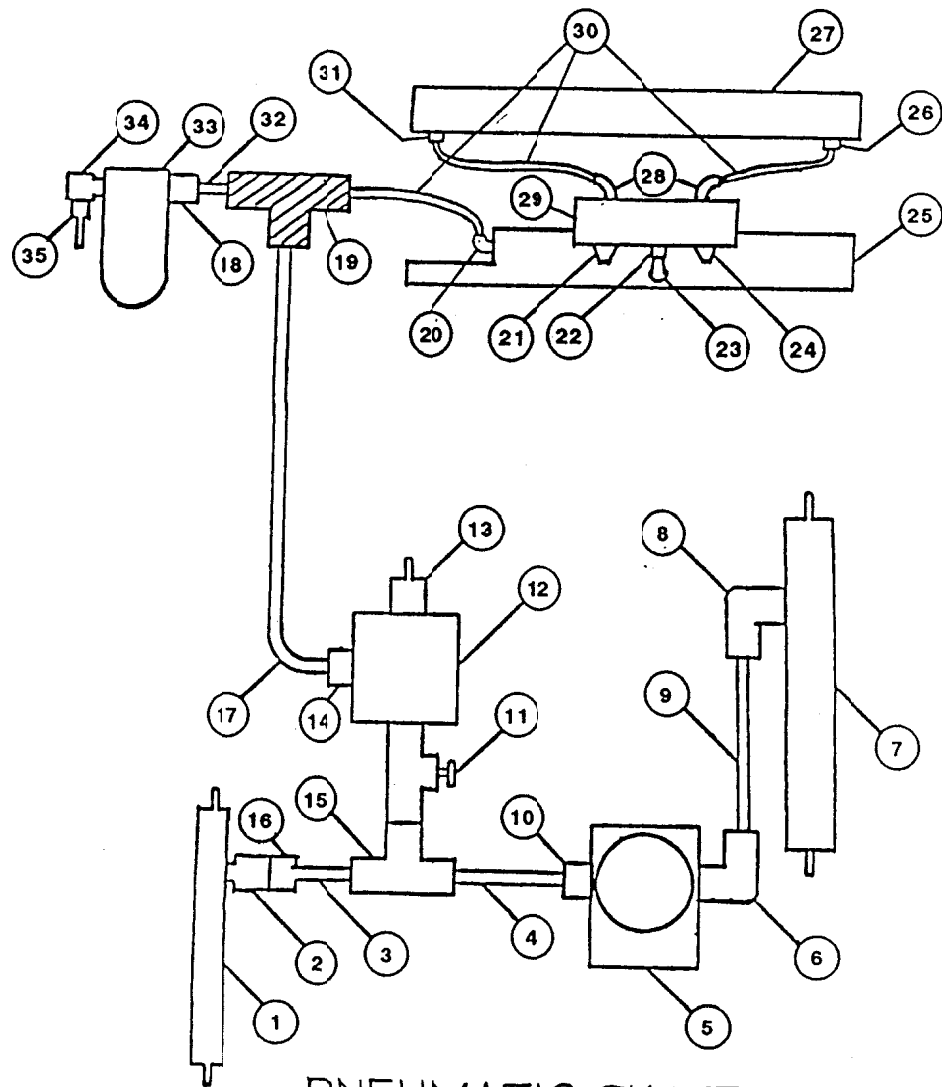
LABEL PLACEMENT

Figure 8.20

**8.0 PARTS LIST**  
**7330 AutoCutter**

FIGURE 8.20

ITEM	PART NO.	DESCRIPTION	QUANTITY PER MODEL		
			100 V (JAPAN)	115 VOLT	230 VOLT
1	1156186	LABEL, SLITTER BLADE .....		2	
2	1154317	CAUTION LABEL .....		2	
3	6009057	INSTRUCTION DECAL .....		1	
4	6009060	CAUTION PRESS LABEL .....		2	



PNEUMATIC SYSTEM

Figure 8.21

## 8.0 PARTS LIST

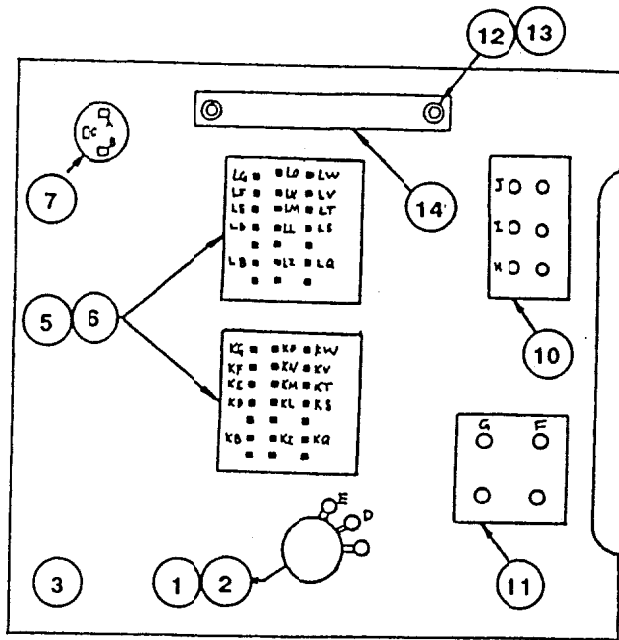
### 7330 AutoCutter

FIGURE 8.21

ITEM	PART NO.	DESCRIPTION	QUANTITY PER MODEL		
			100 V (JAPAN)	115 VOLT	230 VOLT
1		SEE FIGURE 8.5 ITEM 27 .....			
2		SEE FIGURE 8.5 ITEM 28 .....			
3	6900178	5/32 AIR HOSE TO AIR CYL X 8" .....			1
4	6900171	5/32 AIR HOSE TO REG X 22" .....			1
5		SEE FIGURE 8.7 ITEM 1 .....			
6		SEE FIGURE 8.7 ITEM 2 .....			
7		SEE FIGURE 8.19 ITEM 84 .....			
8		SEE FIGURE 8.7 ITEM 2 .....			
9	6900179	5/32 AIR HOSE REG TO AIR CYL .....			1
10		SEE FIGURE 8.5 ITEM 29 .....			
11		SEE FIGURE 8.5 ITEM 30 .....			
12		SEE FIGURE 8.5 ITEM 35 .....			
13		SEE FIGURE 8.5 ITEM 36 .....			
14		SEE FIGURE 8.2 ITEM 12 .....			
15		SEE FIGURE 8.5 ITEM 3 .....			
16		SEE FIGURE 8.5 ITEM 29 .....			
17		SEE FIGURE 8.5 ITEM 24 .....			
18		SEE FIGURE 8.5 ITEM 38 .....			
19		SEE FIGURE 8.5 ITEM 32 .....			
20		SEE FIGURE 8.8 ITEM 3 .....			
21		SEE FIGURE 8.8 ITEM 4 .....			
22		SEE FIGURE 8.8 ITEM 6 .....			
23		SEE FIGURE 8.8 ITEM 5 .....			
24		SEE FIGURE 8.8 ITEM 4 .....			
25		SEE FIGURE 8.8 ITEM 2 .....			
26		SEE FIGURE 8.2 ITEM 12 .....			
27		SEE FIGURE 8.2 ITEM 13 .....			
28		SEE FIGURE 8.8 ITEM 3 .....			
29		SEE FIGURE 8.9 ITEM 4 .....			
30		SEE FIGURE 8.10 ITEM 4 .....			
31		SEE FIGURE 8.2 ITEM 12 .....			
32	6900170	5/16 AIR HOSE, SOLENOID X 3-1/2" .....			1
33		SEE FIGURE 8.5 ITEM 44 .....			
34		SEE FIGURE 8.5 ITEM 40 .....			
35		SEE FIGURE 8.5 ITEM 41 .....			

RIBBON CABLE	CONTACT POINT
BLACK	1-LD
WHITE	2-KD
GRAY	3-LE
VIOLET	4-KE
BLUE	5-LF
GREEN	6-KF
YELLOW	7-LG
ORANGE	8-KG
RED	9-LL
BROWN	10-KL
BLACK	11-LM
WHITE	12-KM
GRAY	13-LN
VIOLET	14-KN
BLUE	15-LO
GREEN	16-KO
YELLOW	17-LS
ORANGE	18-KS
RED	19-LT
BROWN	20-KT
BLACK	21-LV
WHITE	22-KV
GRAY	23-LW
VIOLET	24-KW
BLUE	25-L
GREEN	26-MOLEX
YELLOW	27-A
ORANGE	28-D
RED	29-H
BROWN	30-E
BLACK	31-J
WHITE	32-CUT OFF
GRAY	33-I
VIOLET	34-CUT OFF
BLUE	35-LQ
GREEN	36-KQ
YELLOW	37-CUT OFF
ORANGE	38-CUT OFF
RED	39-C
BROWN	40-MOLEX

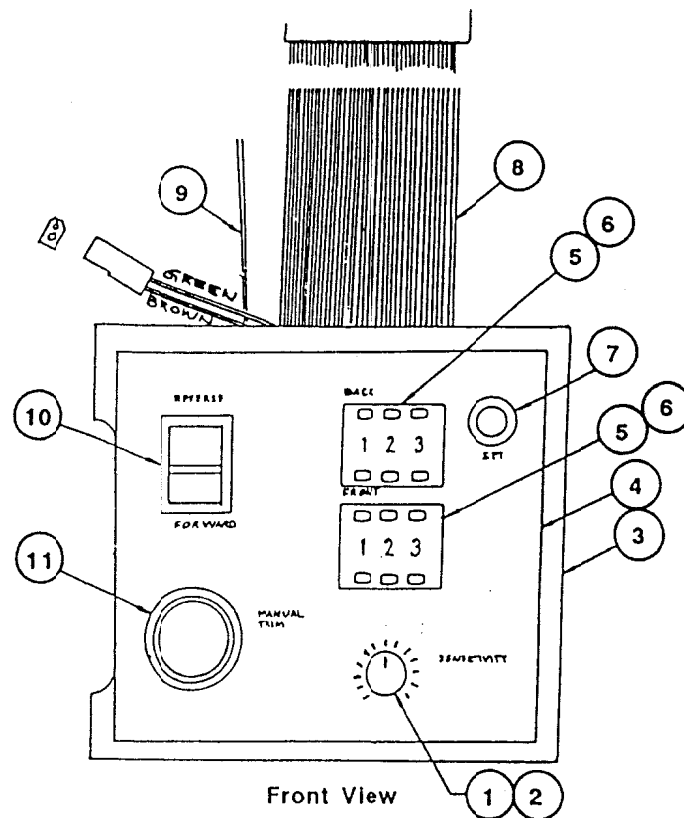
### Right Control Panel



Rear View

WIRE JUMPER KB TO KI TO KQ  
 WIRE JUMPER LB TO LI TO LQ

18" ORANGE FREE WIRE FROM H  
 6" ORANGE I TO F



Front View

**NOTE 1**

1 MUST BE INSTALLED  
 PRIOR TO ASSEMBLY  
 OF 4 LABEL.

Figure 8.22

## 8.0 PARTS LIST

### 7330 AutoCutter

FIGURE 8.22

ITEM	PART NO.	DESCRIPTION	QUANTITY PER MODEL		
			100 V (JAPAN)	115 VOLT	230 VOLT
1	6198004	POTENTIOMETER .....		1	
2	6174005	POTENTIOMETER KNOB, SM .....		1	
3	6900130	RIGHT PANEL PLATE .....		1	
4	6009064	RIGHT STATUS PANEL LABEL .....		1	
5	6202014	THUMBWHEEL SWITCH .....		6	
6	6202020	THUMBWHEEL SW END CAPS, PAIR .....		2	
7	6902011	PUSH BUTTON SWITCH-RESET .....		1	
8	6900014	RIBBON CABLE, LOGIC PCB .....		1	
9	1136436	WIRE 18" X 22 GA ORANGE .....		1	
10	6202010	FWD/REV SWITCH .....		1	
11	6202009	PUSH BUTTON SWITCH CUT .....		1	
12	1926005	#6 LOCKWASHER .....		2	
13	1902815	6-32 X 1/2 PHCR .....		2	
14	6900121	RIGHT PANEL WIRE SUPPORT .....		1	



## 8.0 PARTS LIST

### 7330 AutoCutter

FIGURE 8.23

ITEM	PART NO.	DESCRIPTION	QUANTITY PER MODEL		
			100 V (JAPAN)	115 VOLT	230 VOLT
1	1952252	1/4" SPACER .....		4	
2	1902815	6-32 X 1/2 PHCR SCREW .....		4	
3	6900018	SWITCH PANEL PCB .....		1	
4	6202012	3 POS. SELECTOR SWITCH .....		1	
5	6202013	2 POS. SELECTOR SWITCH .....		1	
6	6900129	LEFT PANEL PLATE .....		1	
7	6198003	POTENTIOMETER .....		1	
8	6900137	COUNT TOTALIZER .....		1	
9	6174001	POTENTIOMETER KNOB, LG .....		1	
10	6009065	LEFT STATUS PANEL LABEL .....		1	

### Power Supply

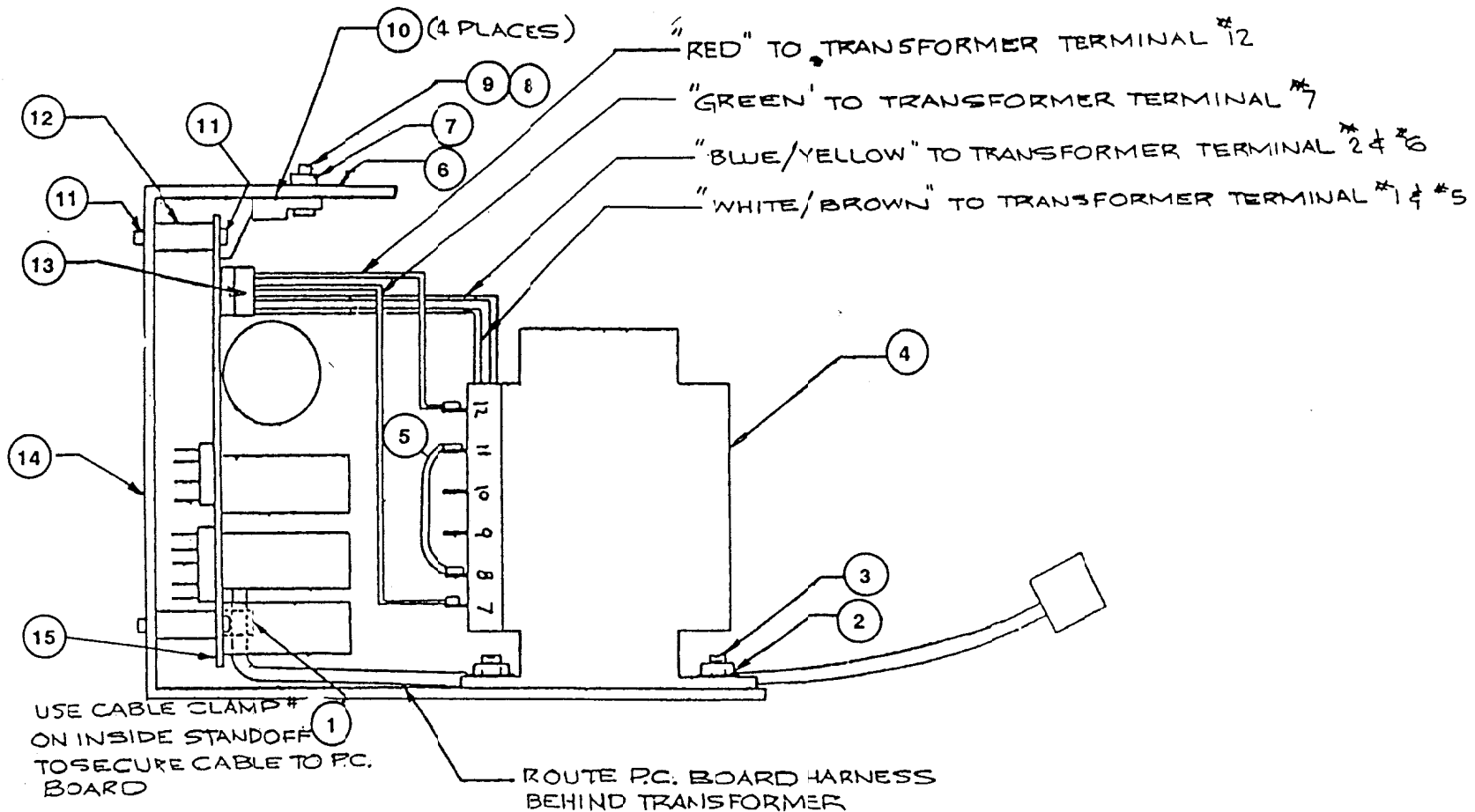


Figure 8.24

## 8.0 PARTS LIST

### 7330 AutoCutter

FIGURE 8.24

ITEM	PART NO.	DESCRIPTION	QUANTITY PER MODEL		
			100 V (JAPAN)	115 VOLT	230 VOLT
1	1931003	3/16" CABLE CLAMP .....		1	
2	1926822	10-32 WITLOCK .....		4	
3	1902615	10-32 X 1/2 FHCR SCREW .....		4	
4	6207002	TRANSFORMER .....		1	
5	1957699	TRANSFORMER WIRE BRIDGE .....		1	
6	1925129	#4 FLAT WASHER .....		4	
7	1926804	4-40 KEPS NUT .....		4	
8	1902834	4-40 5/8 PHCR SCREW .....		1	
9	1902821	4-40 X 1/2 PHCR SCREW .....		1	
10	1954801	THERMAL GREASE .....		.01	
11	1902818	6-32 X 3/8 PHCR SCREW .....		8	
12	1924810	5/8" PCB STANDOFF .....		4	
13	6900022	TRANSFORMER WIRE HARNESS .....		1	
14	6900115	POWER SUPPLY CASE .....		1	
15	6900019	POWER SUPPLY PCB .....		1	