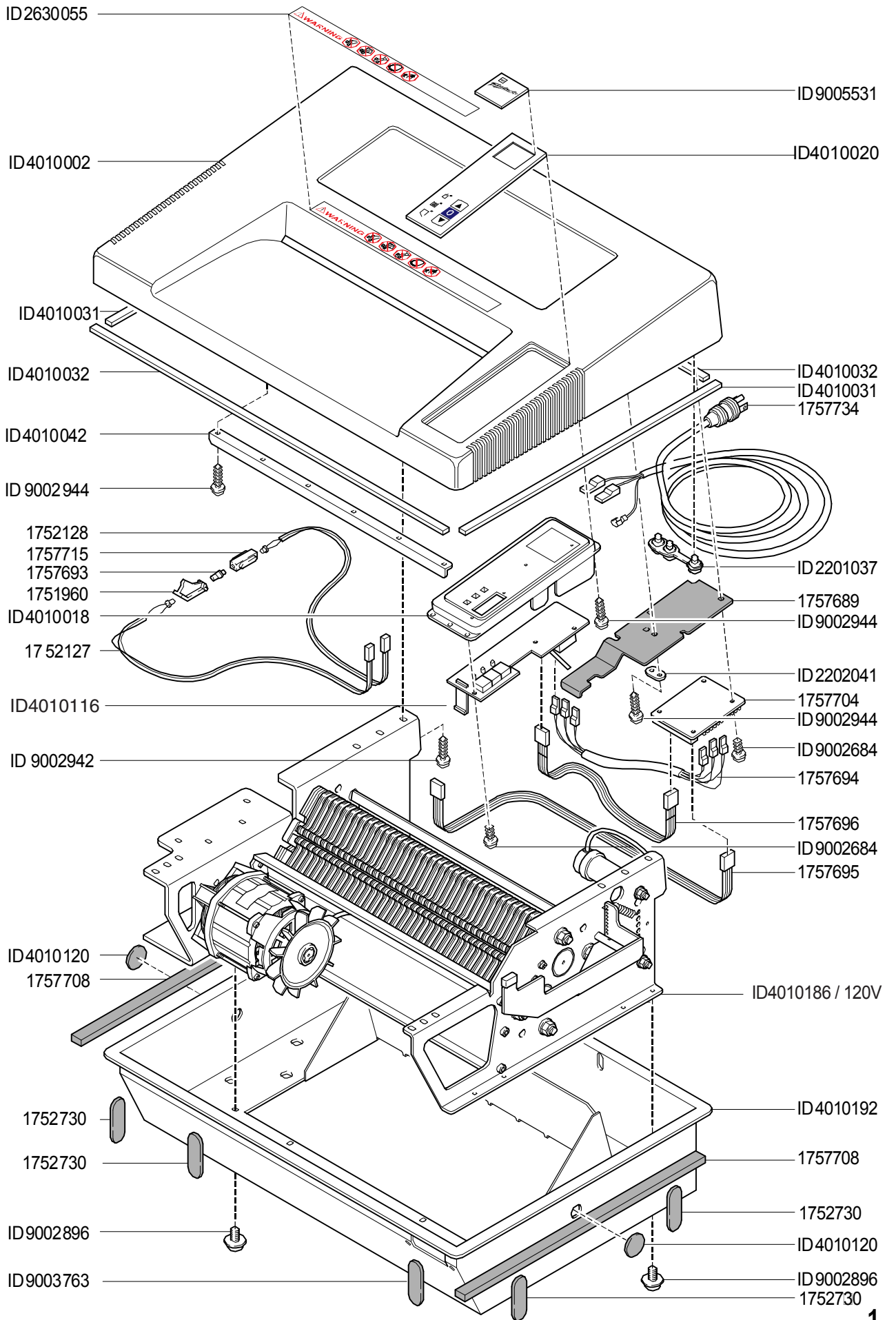


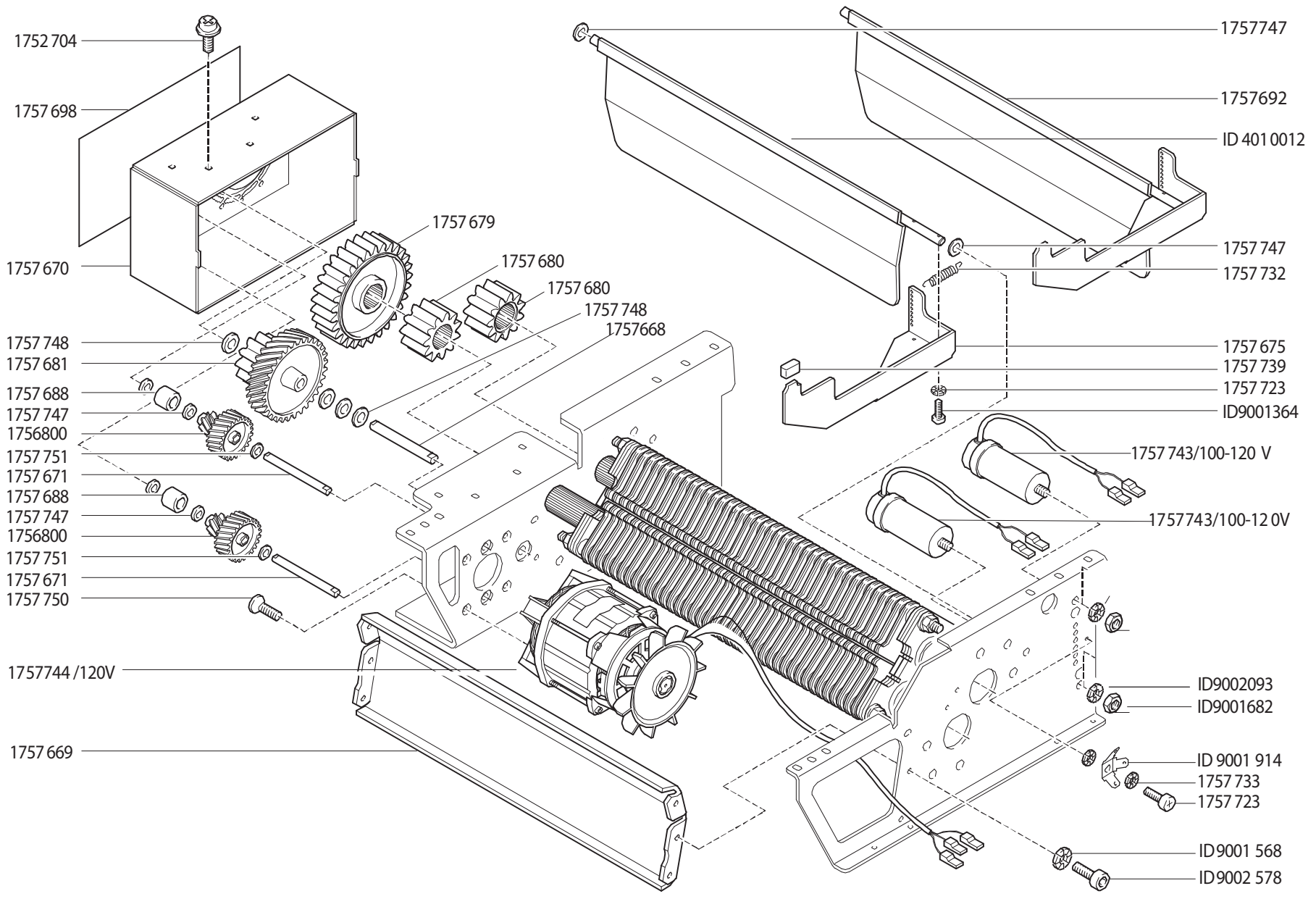


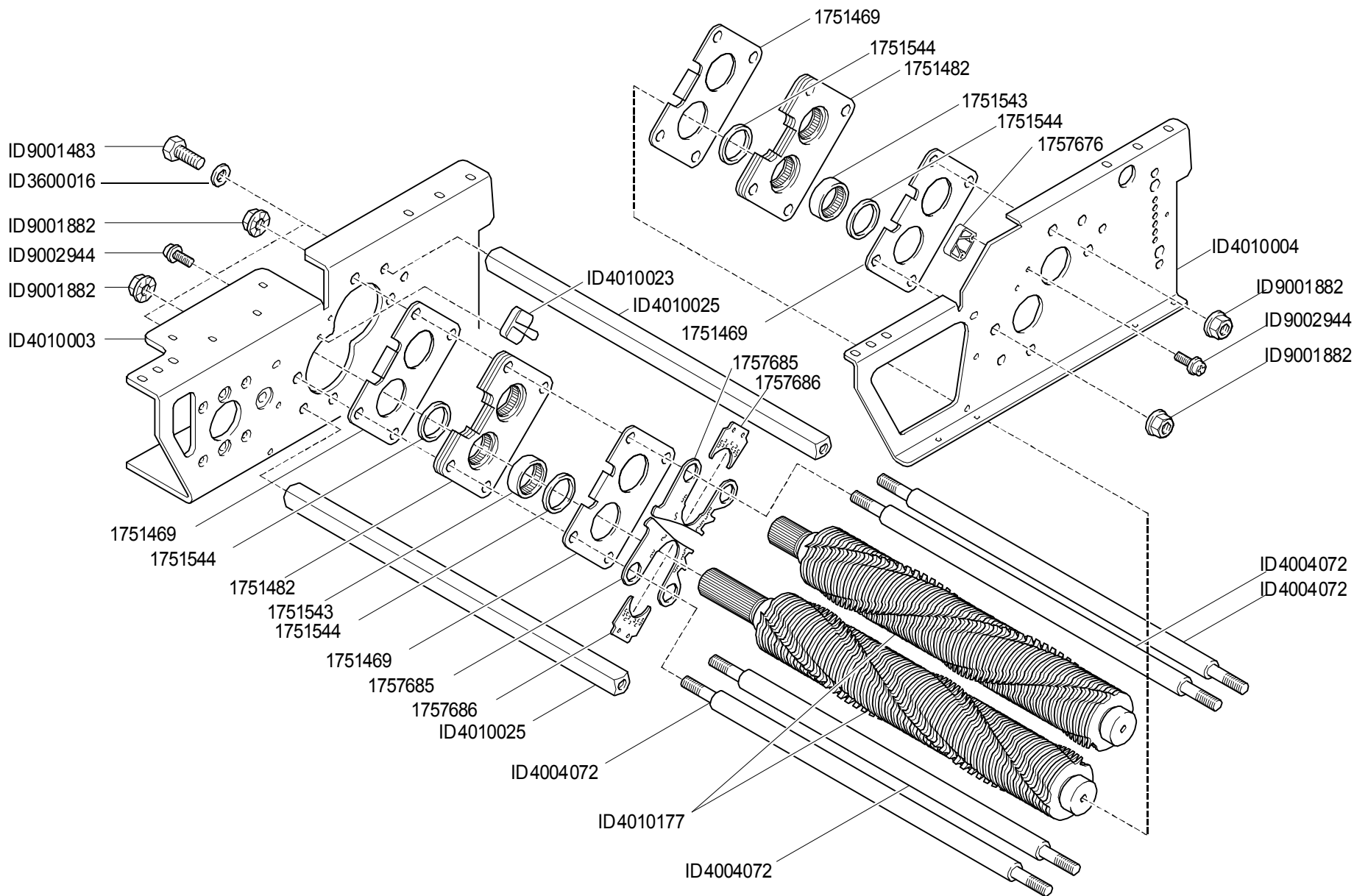
6550X PARTS LIST

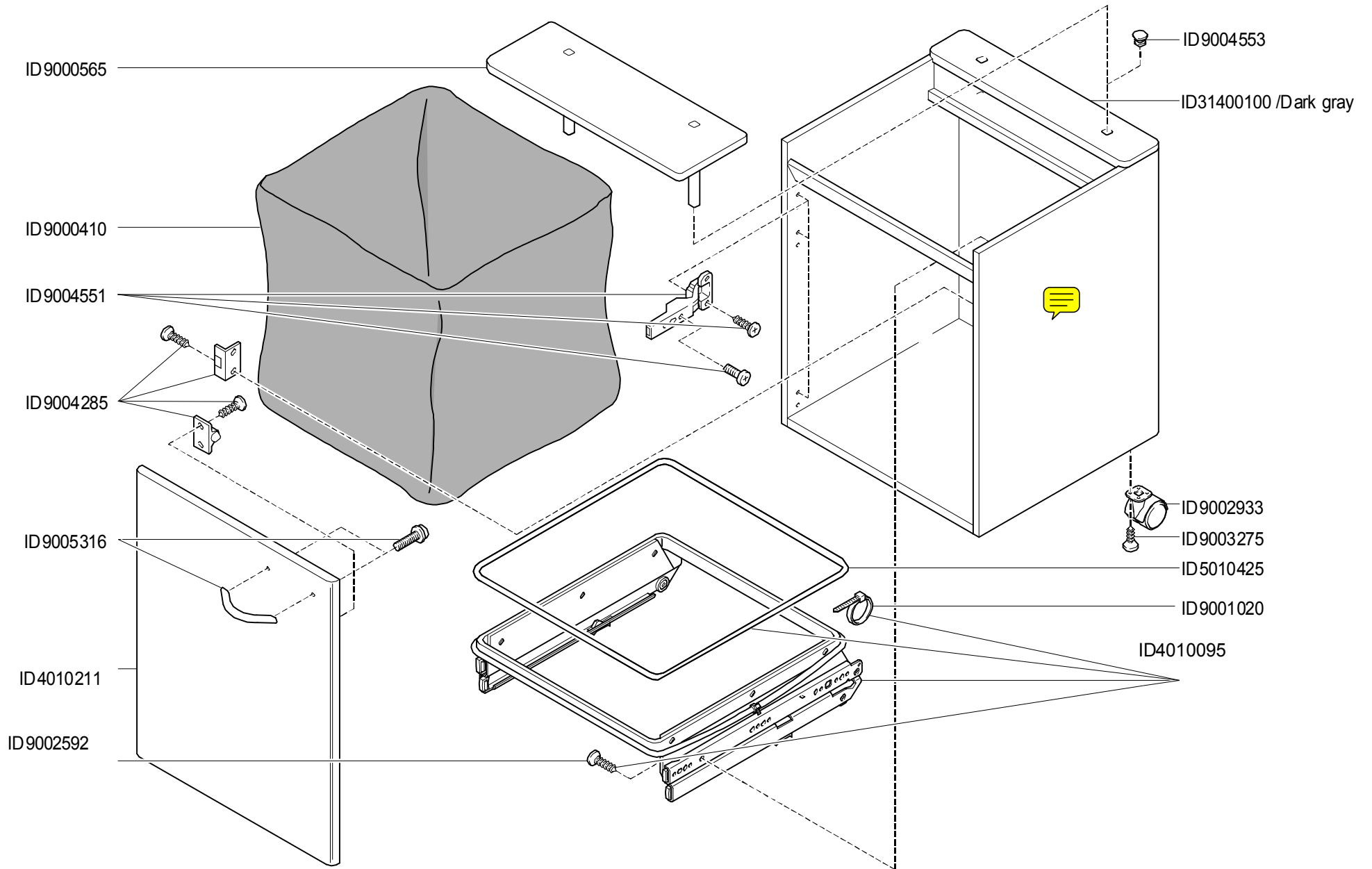


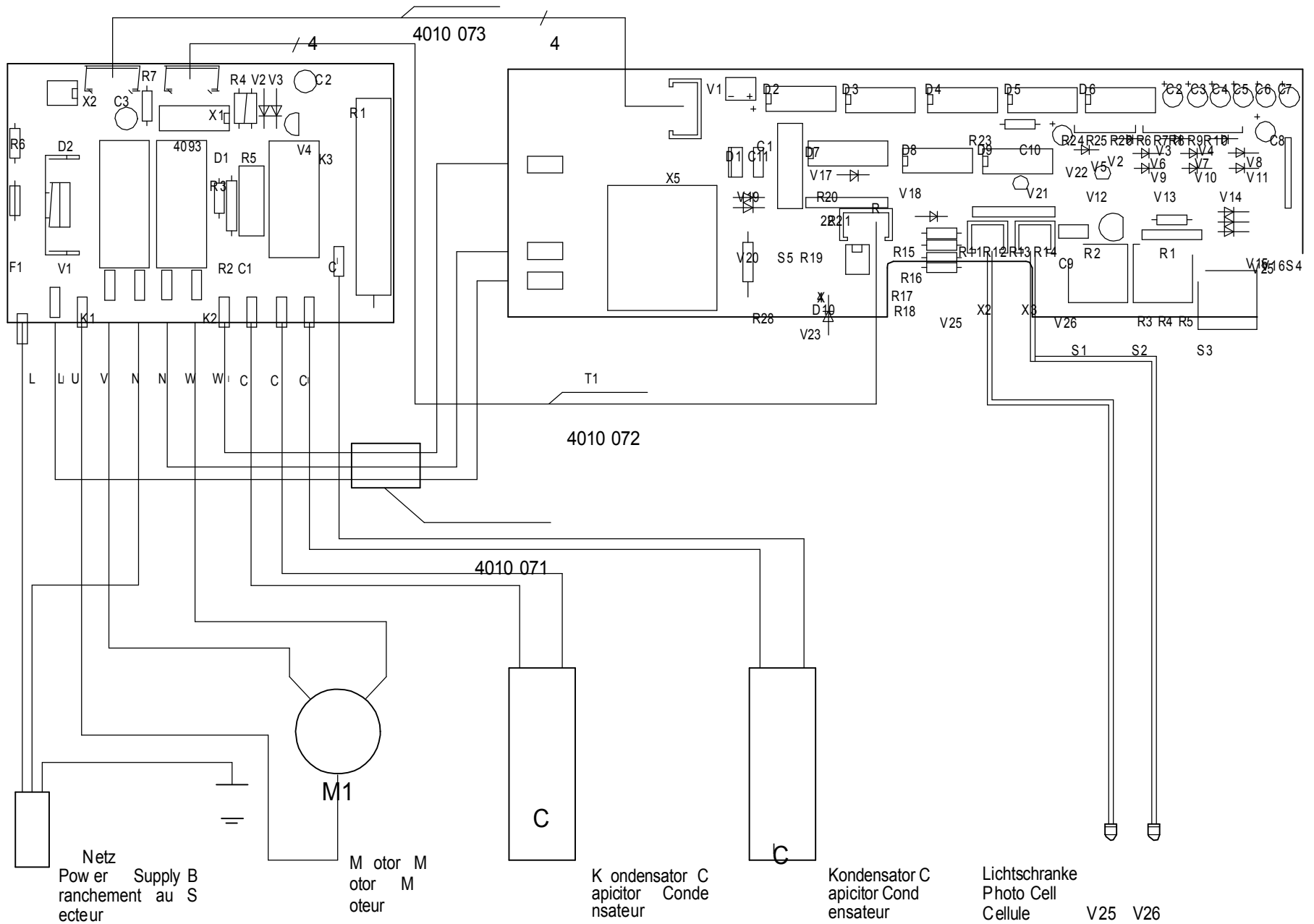
GBC IS AN ACCO BRANDS COMPANY



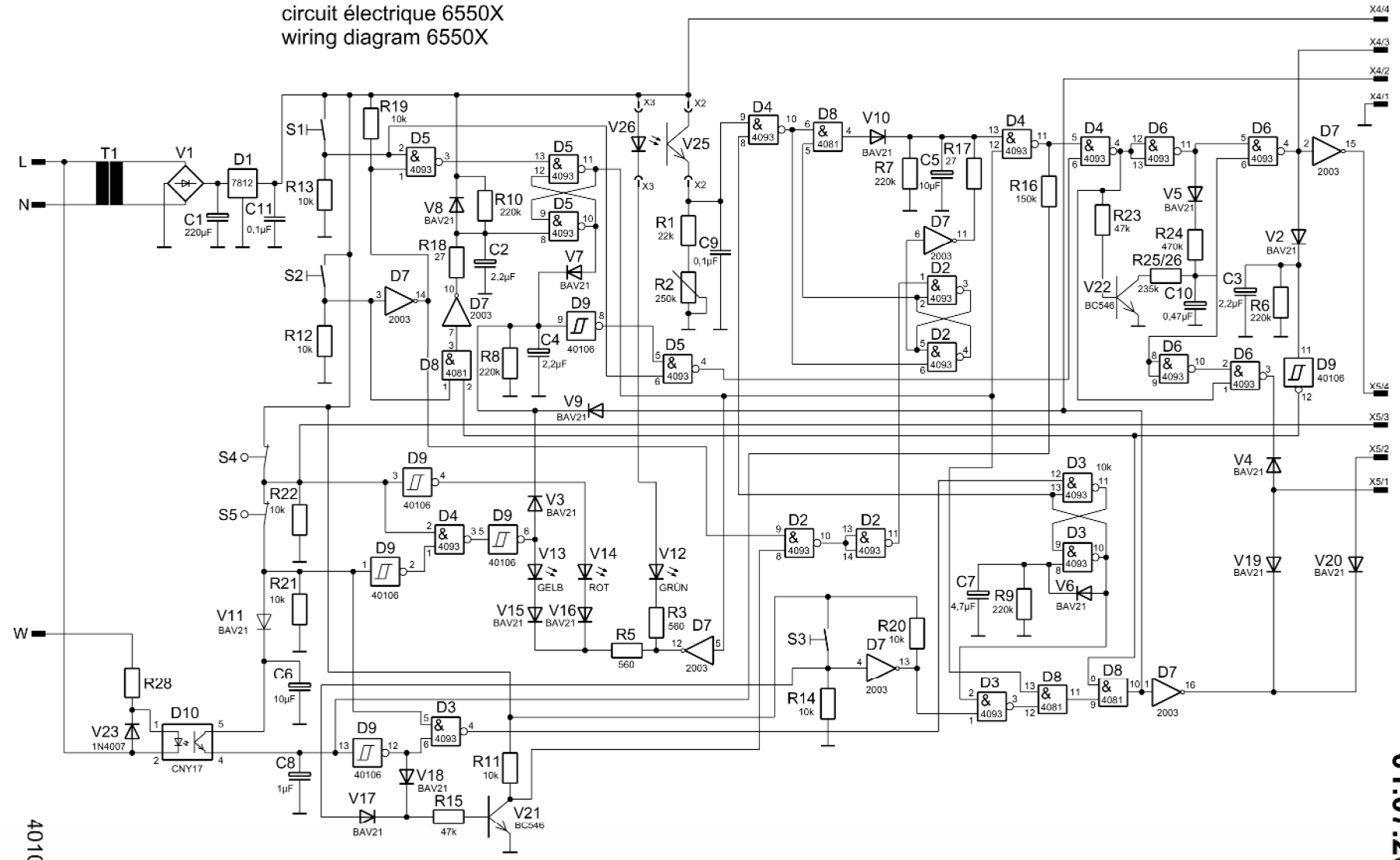






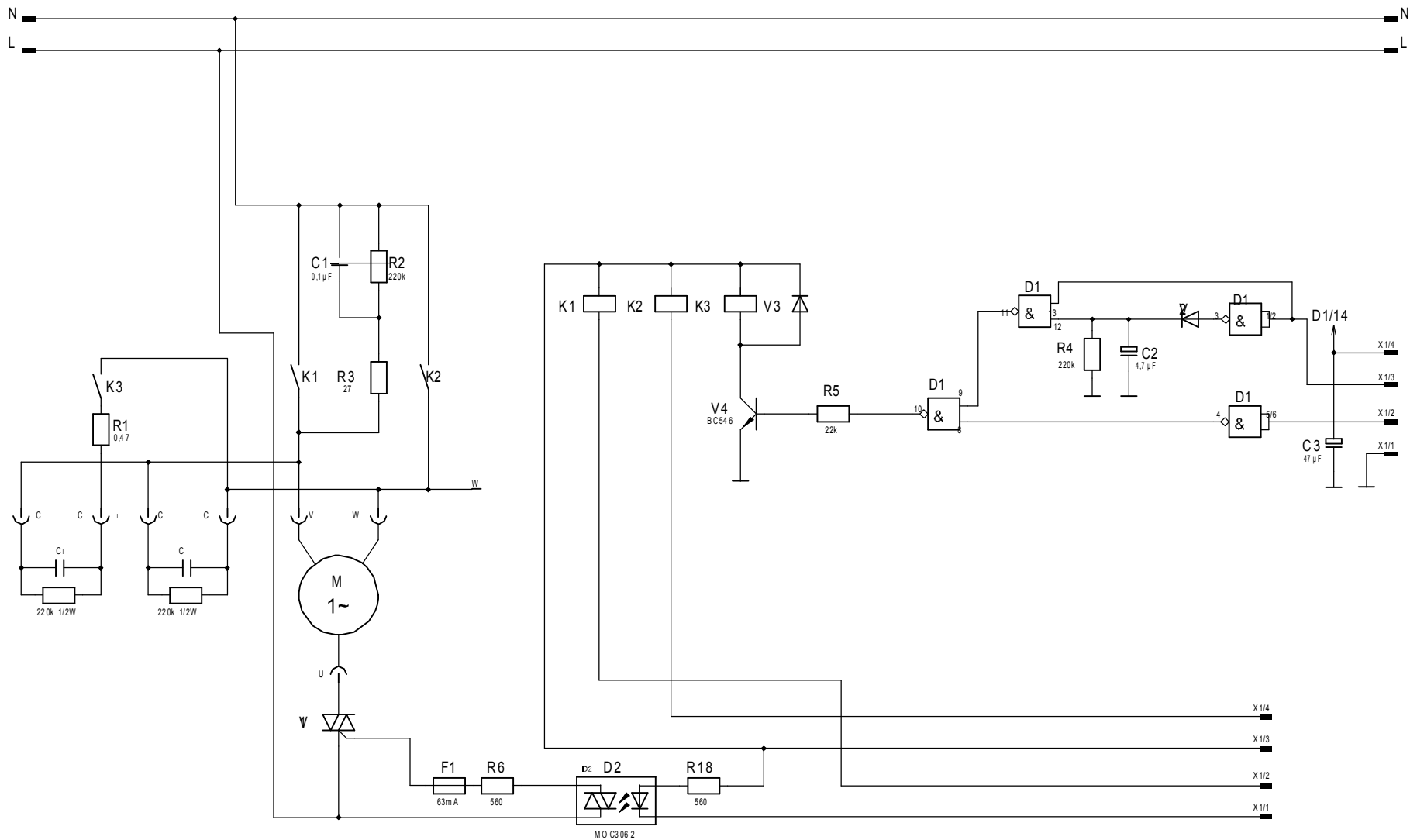


Stromlaufplan 6550X
 schema de
 circuit électrique 6550X
 wiring diagram 6550X



4010 107
 6

CROSS / CUT 4x60mm
Mod. 6550X
 01.07.2005



Stromlaufplan 6550X
 schema de
 circuit électrique 6550X
 wiring diagram 6550X

TECHNICAL SERVICE & SUPPORT BULLETIN

T.S.S.B. NO.	13003B	DATE:	12/12/07
MODEL:	6500S & 6550X SHREDDER MACHINES		
SUBJECT:	NEW MAIN P.C. BOARD	PAGE:	1 of 1

Manufacturing has implemented a new Main P.C. Board for the model 6500-S and 6550-X Shredder machines. Part number is **ID4010314**, and is used in both Shredder models. This applies for all 6500-S Shredders starting with serial number **TF31515J** and for all 6550-X Shredders starting with serial number **TF30284J**. Serial numbers prior to this will continue to use these part numbers, ID4010105 Main P.C. Board, ID4010072 Connecting Cable Large, and ID4010073 Connecting Cable Short.