

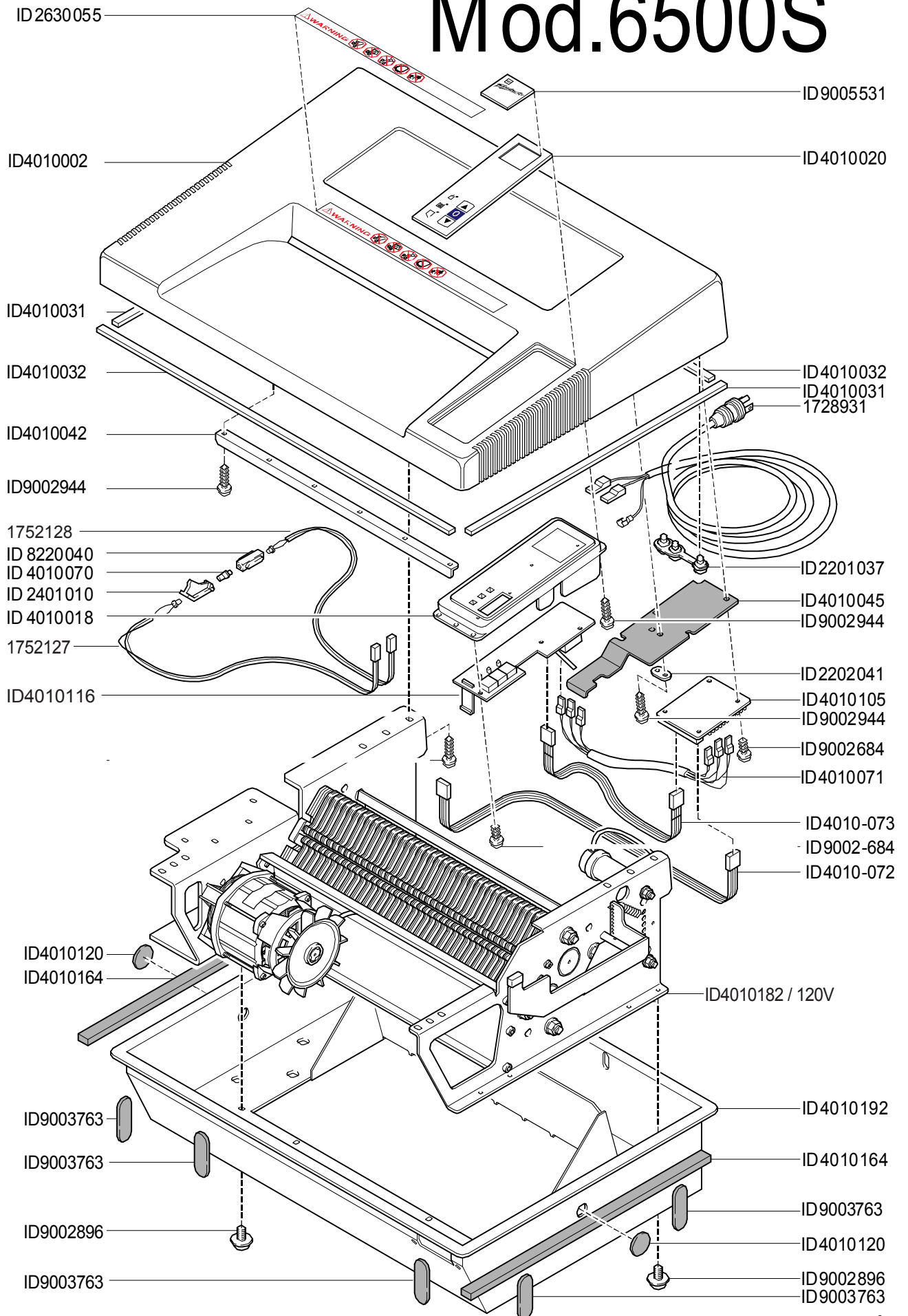


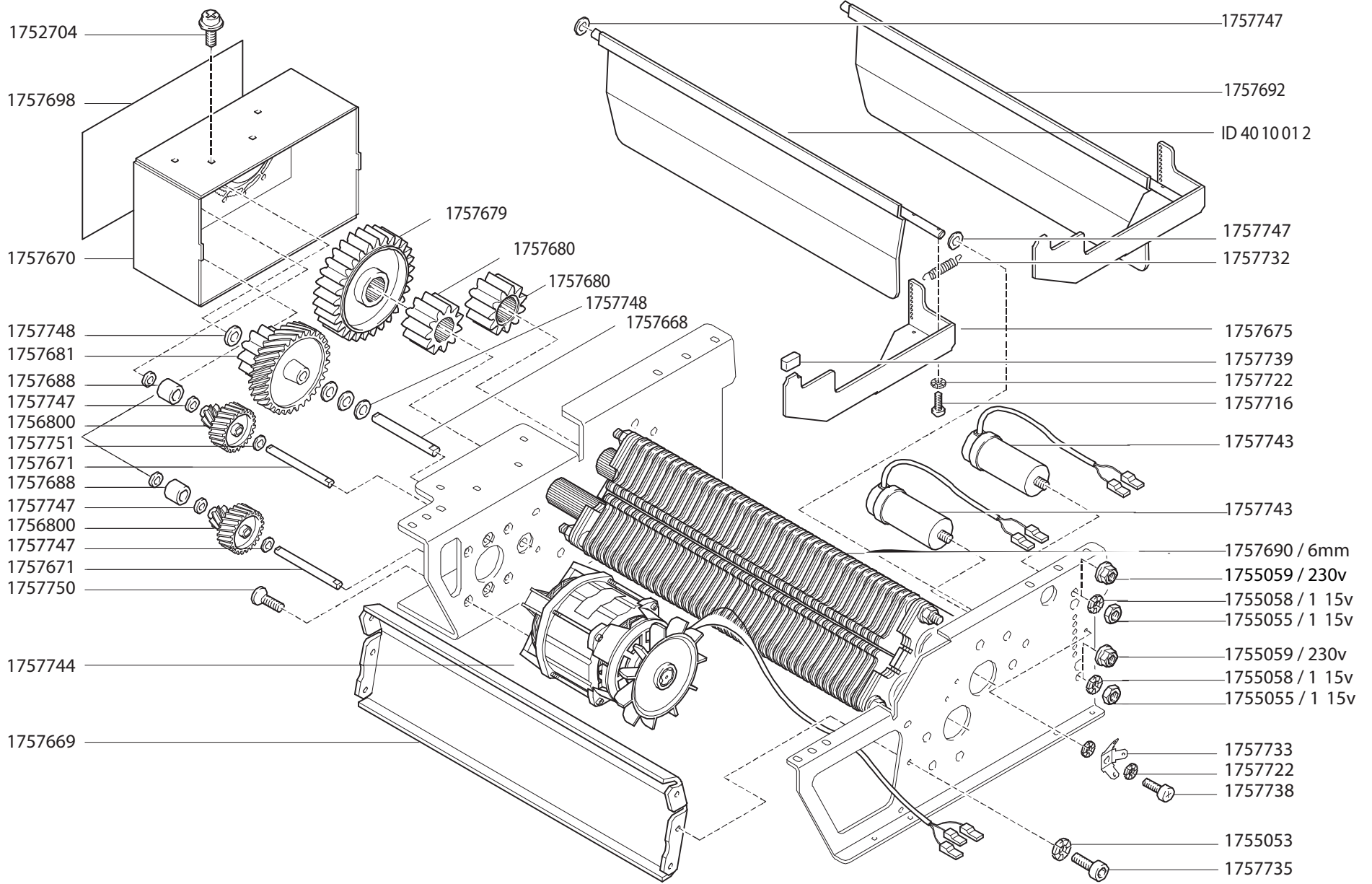
6500S PARTS LIST

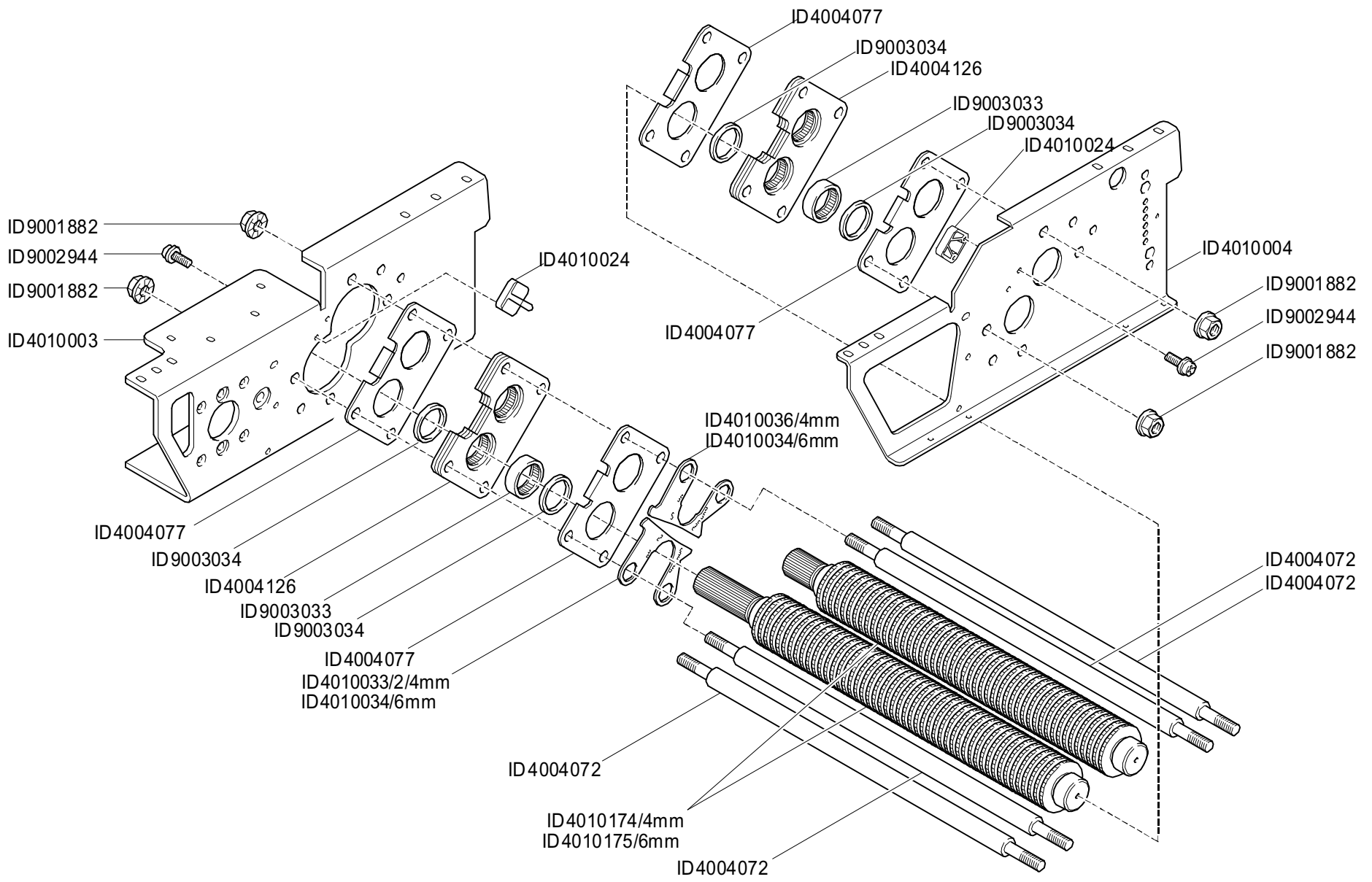


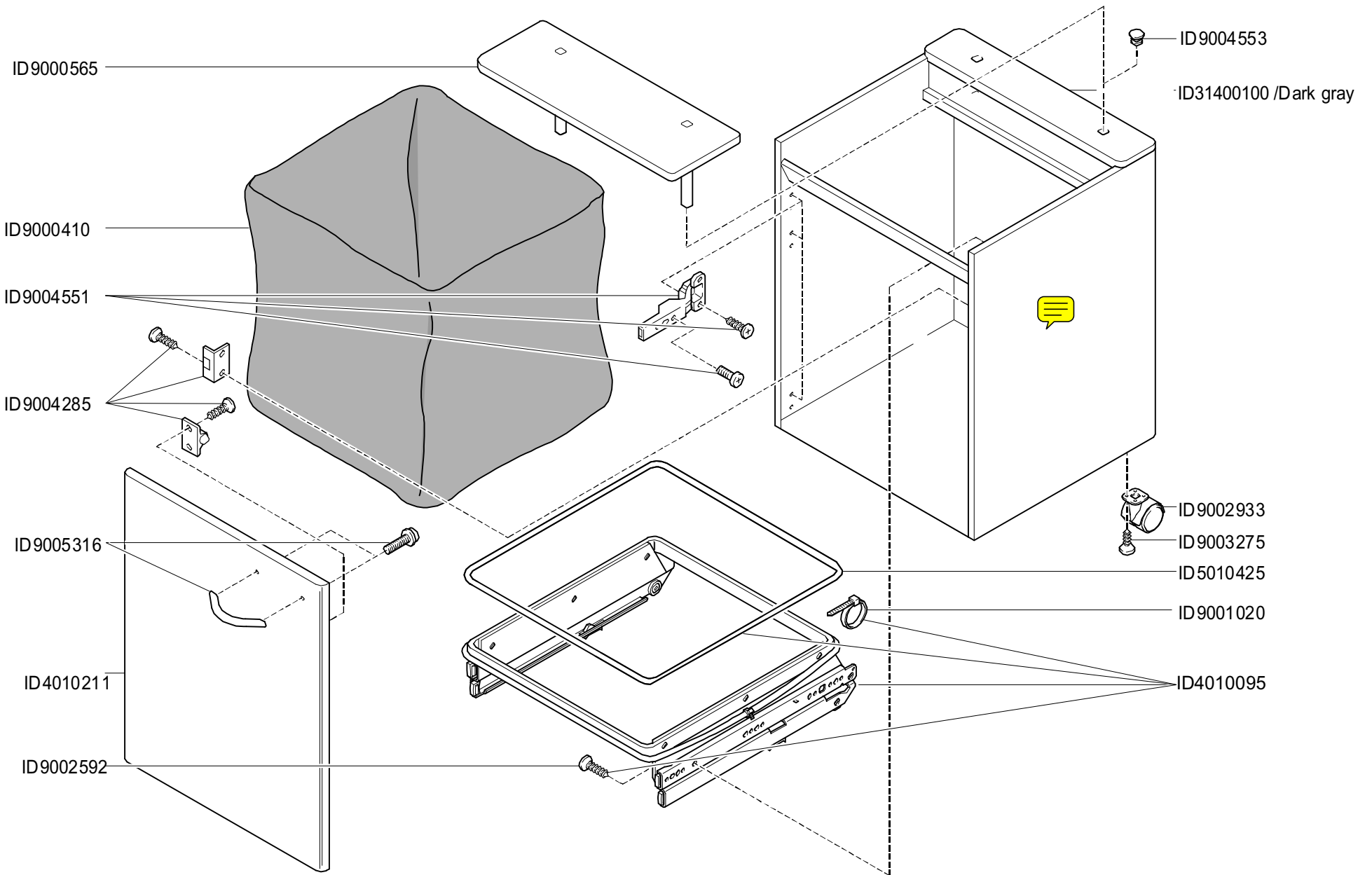
GBC IS AN ACCO BRANDS COMPANY

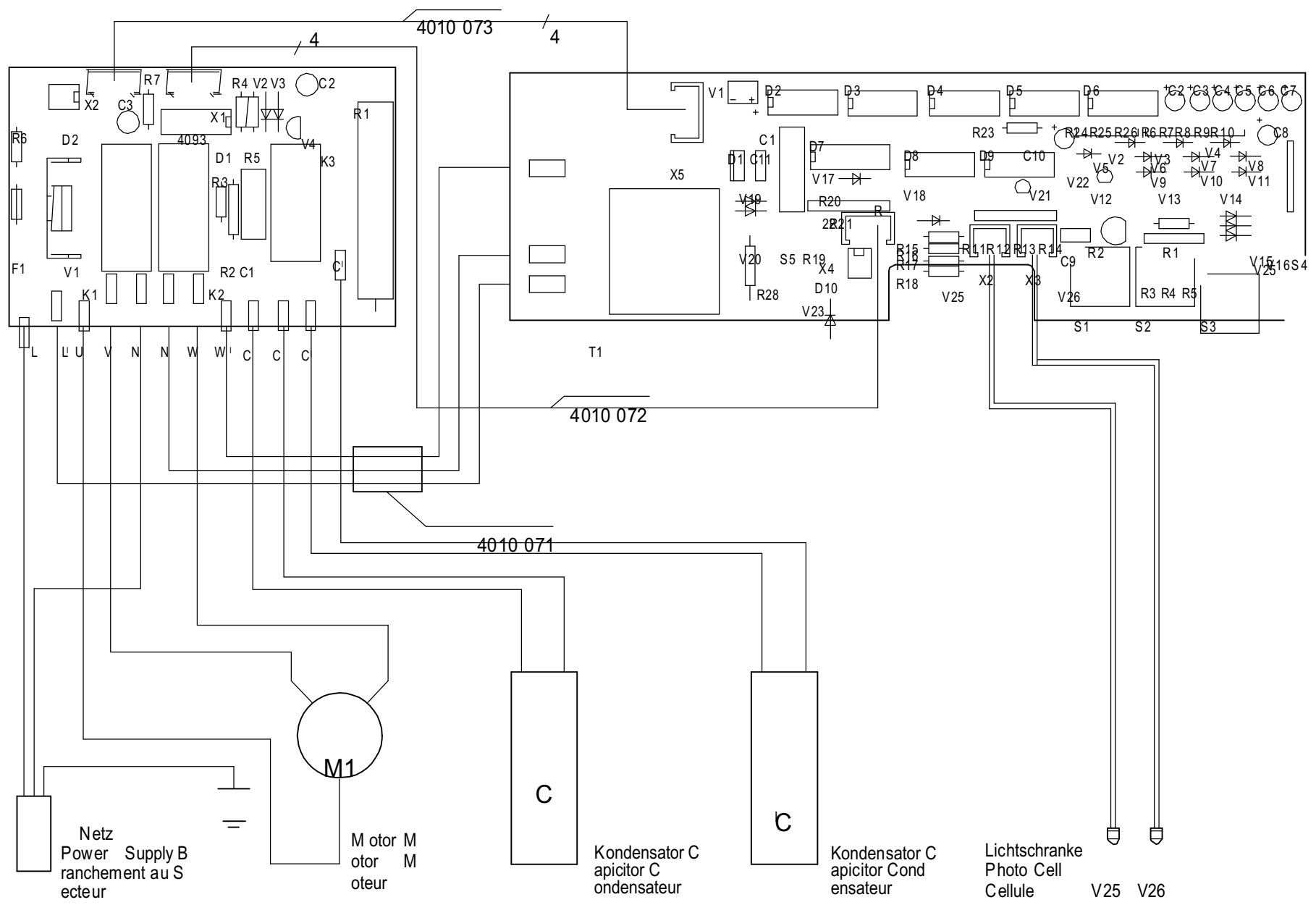
Mod.6500S



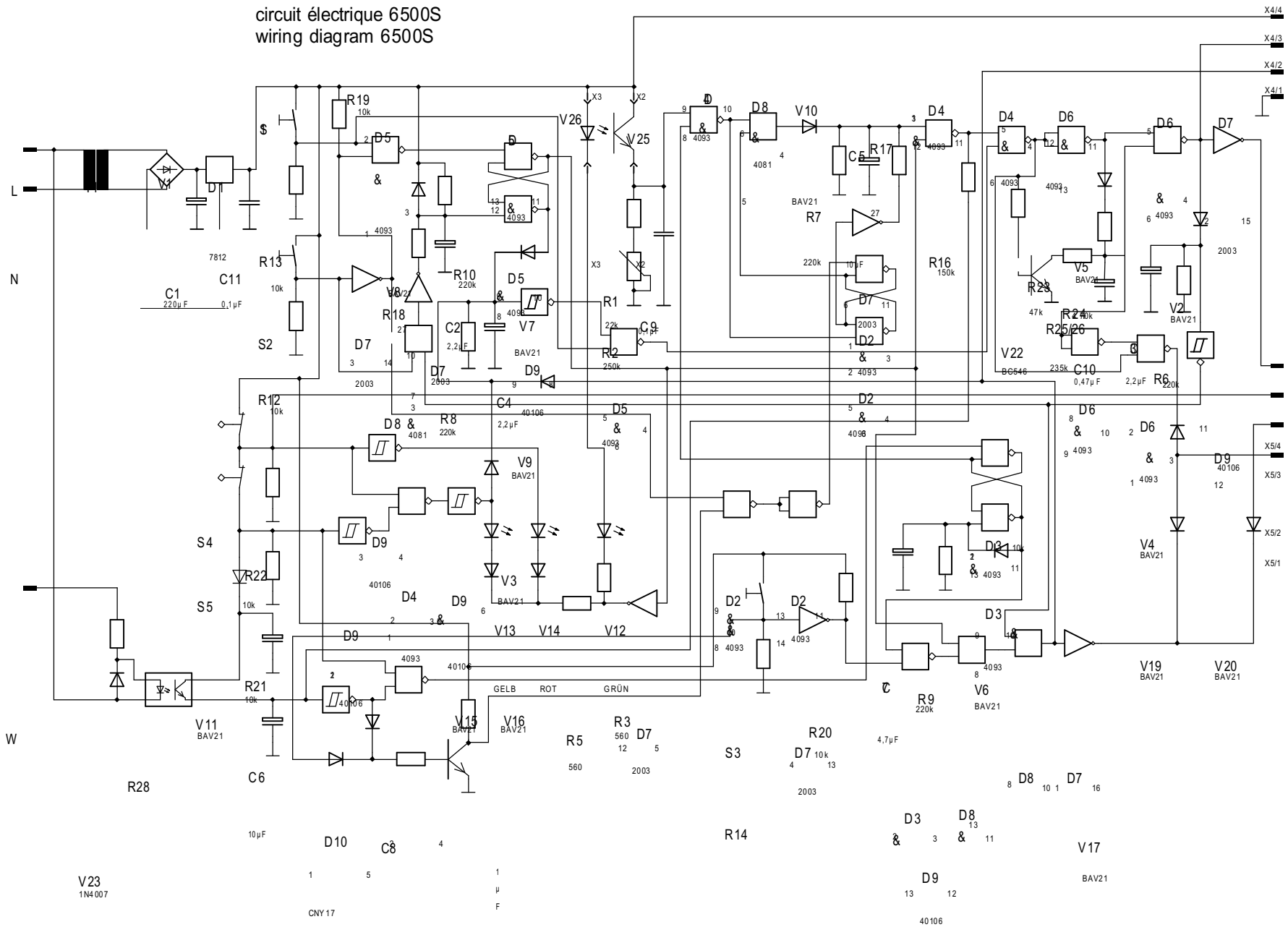








Stromlaufplan 6500S
 schema de
 circuit électrique 6500S
 wiring diagram 6500S



5 D3

4093
081

82

4 2003

1 R

&

9

6 4093

4

4

1

V18
BAV21

R11
10k

0

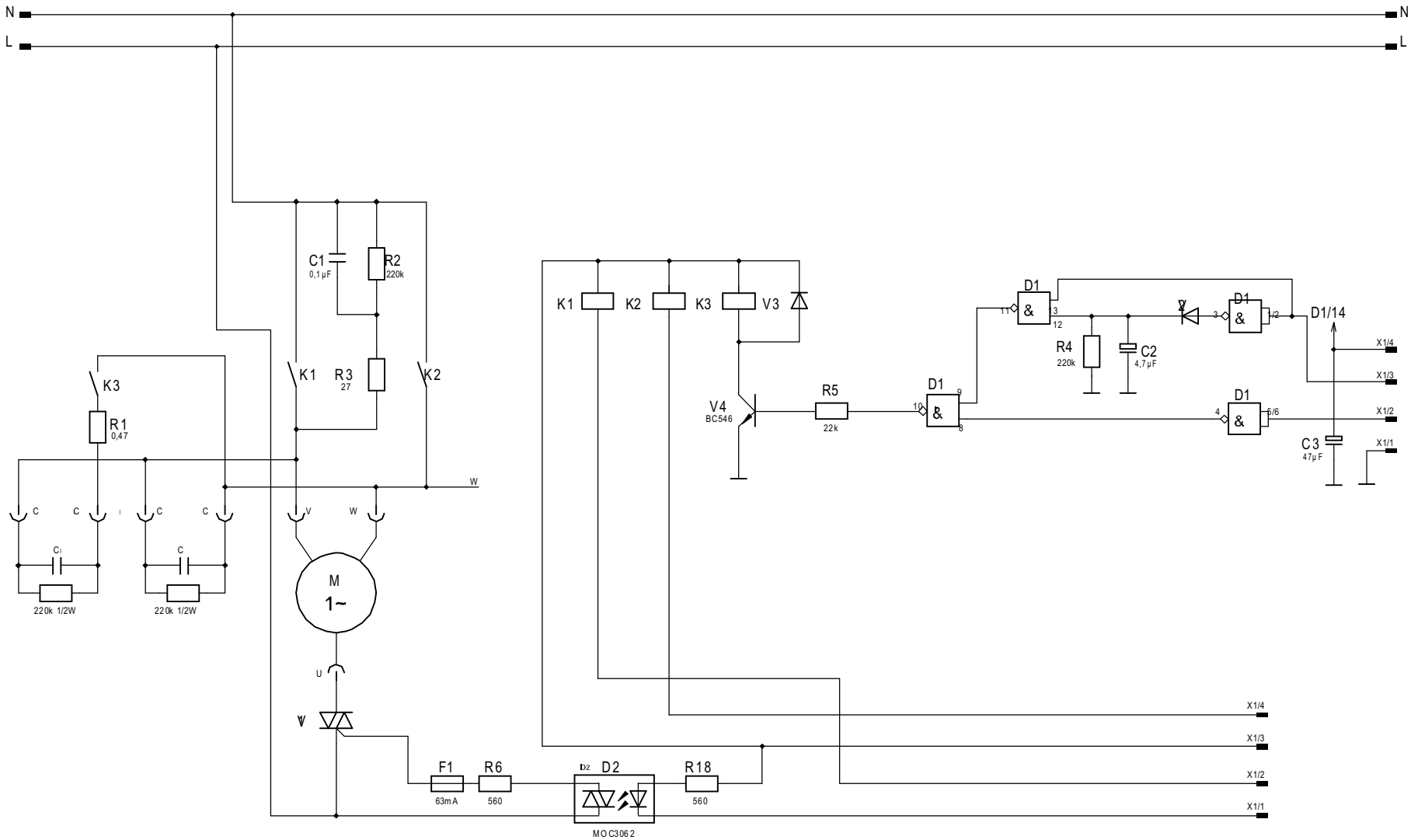
8

1

R15

47k

V21
BC546



Stromlaufplan 6500S
 schema de
 circuit électrique 6500S
 wiring diagram 6500S

TECHNICAL SERVICE & SUPPORT BULLETIN

T.S.S.B. NO. **13003B**

DATE: 12/12/07

MODEL: **6500S & 6550X SHREDDER MACHINES**

SUBJECT: **NEW MAIN P.C. BOARD**

PAGE: 1 of 1

Manufacturing has implemented a new Main P.C. Board for the model 6500-S and 6550-X Shredder machines. Part number is **ID4010314**, and is used in both Shredder models. This applies for all 6500-S Shredders starting with serial number **TF31515J** and for all 6550-X Shredders starting with serial number **TF30284J**. Serial numbers prior to this will continue to use these part numbers, ID4010105 Main P.C. Board, ID4010072 Connecting Cable Large, and ID4010073 Connecting Cable Short.