

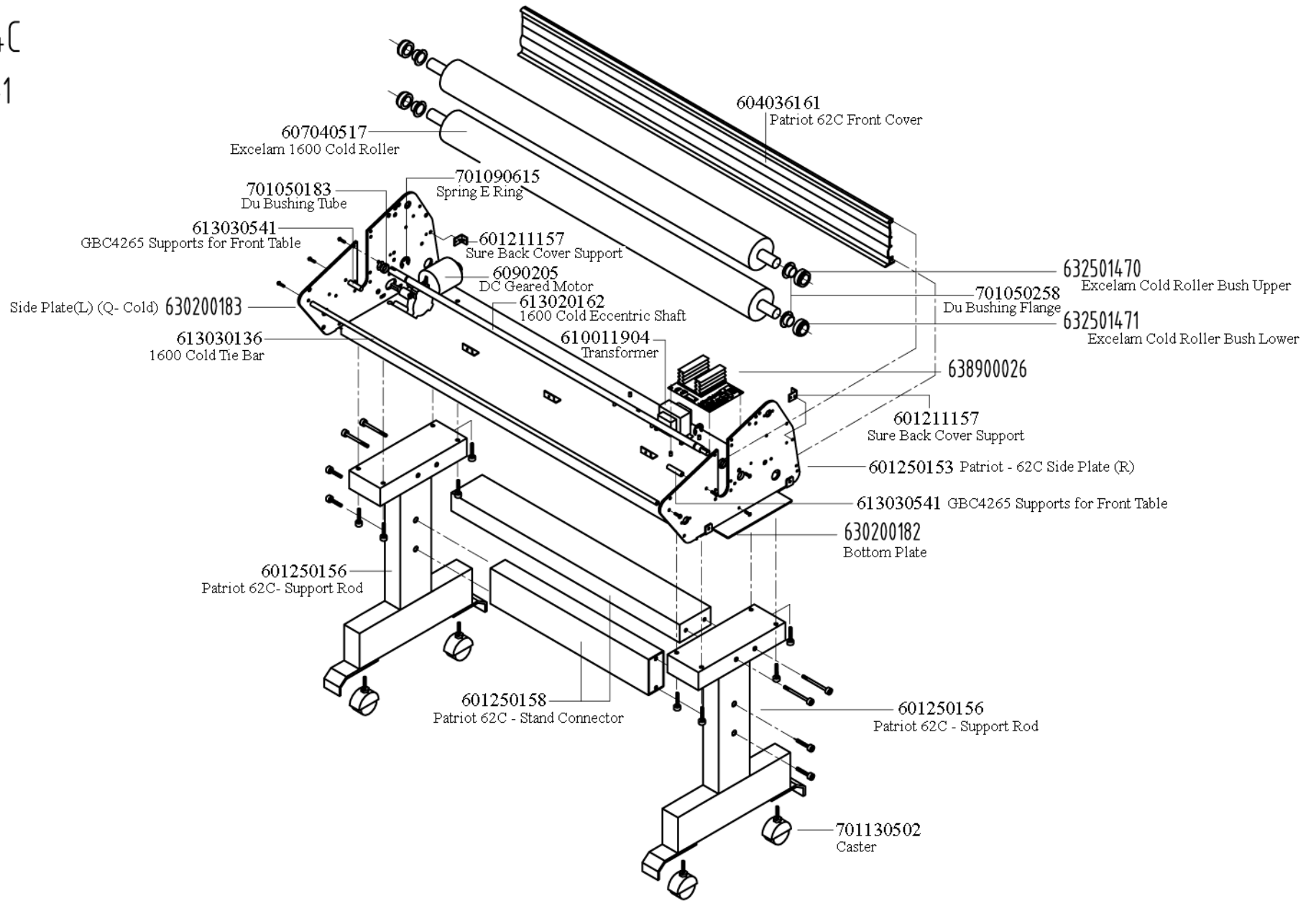


64C Parts List



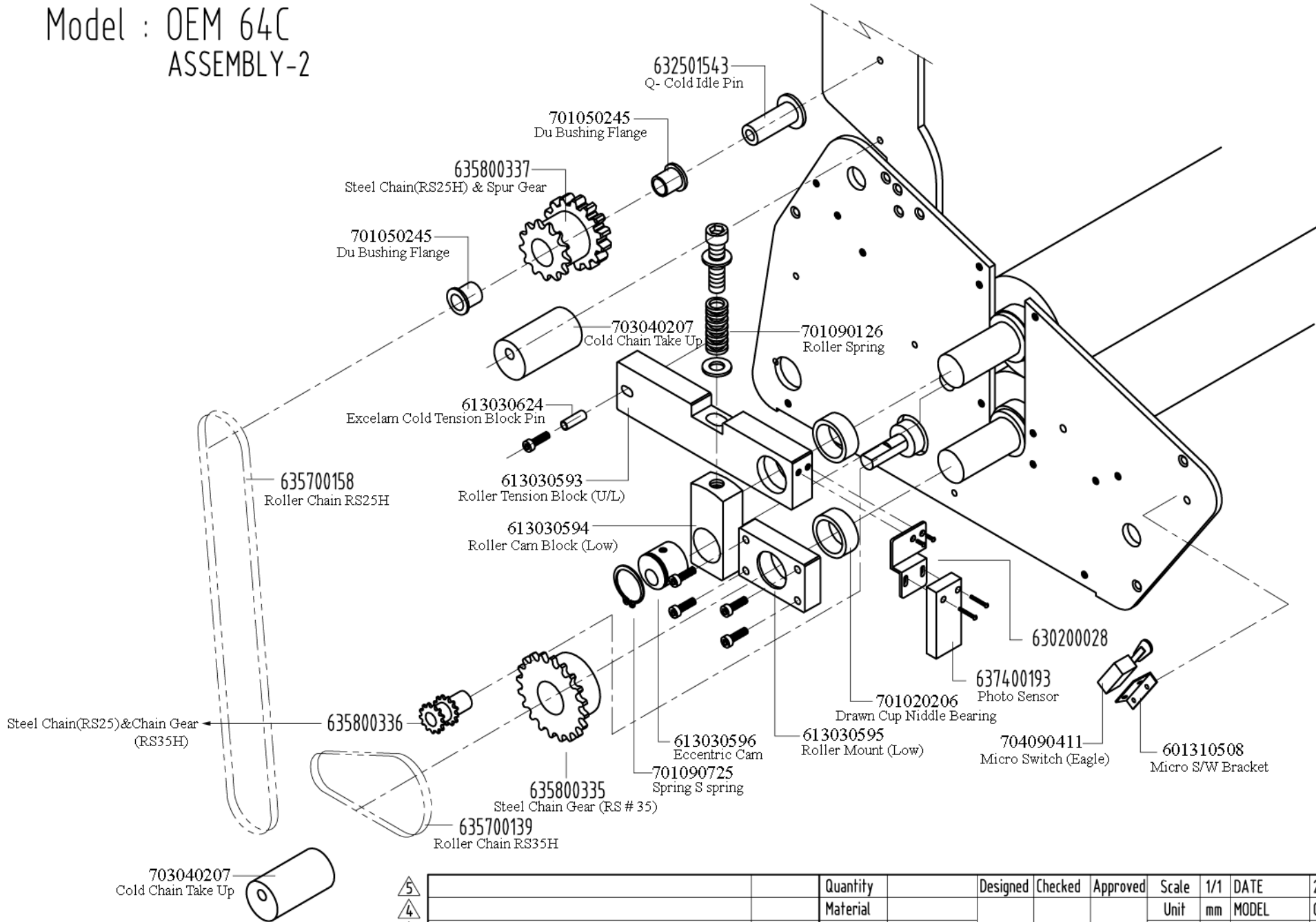
GBC IS AN ACCO BRANDS COMPANY

Model : 64C
ASSEMBLY-1




| | | | | | | | | |
|-----------------------|------------|----------|----------|------------|-----------|---------|-------------|--------------|
| 5 4 3 2 1 | Quantity | Designed | Checked | Approved | Scale | 1/1 | DATE | 2006. 04. 04 |
| | Material | | | | Unit | mm | MODEL | OEM 64C |
| | Sur/finish | | | | Project | 3 | PART NAME | ASSEMBLY-1 |
| | Tolerance | | | | | | DRAWING No. | O64C-E0010 |
| | Chamfer | | | | | | PART CODE | |
| REVISION | DATE | Quantity | Material | Sur/finish | Tolerance | Chamfer | Round | |

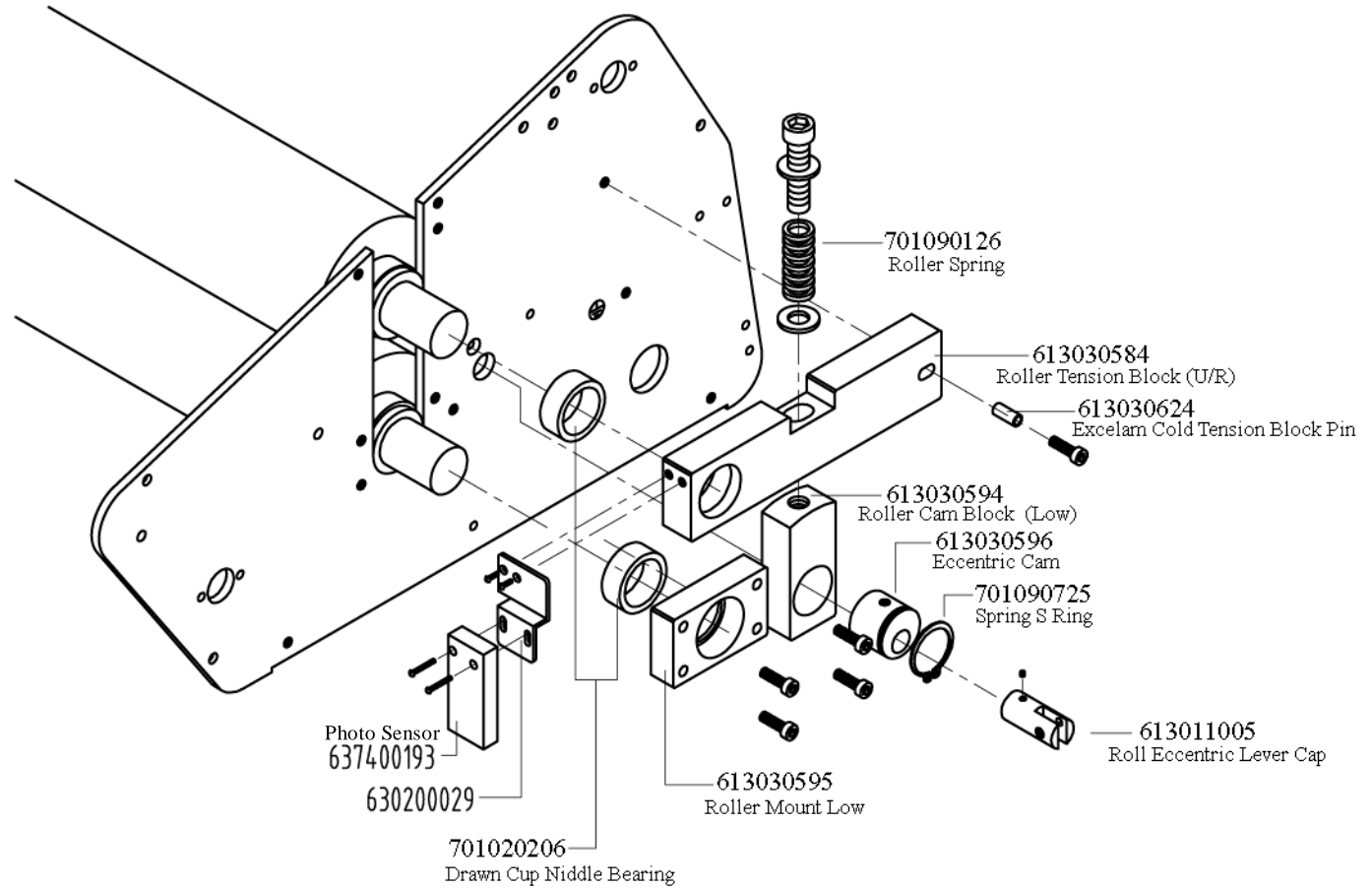
Model : OEM 64C ASSEMBLY-2



- 5
- 4
- 3
- 2
- 1

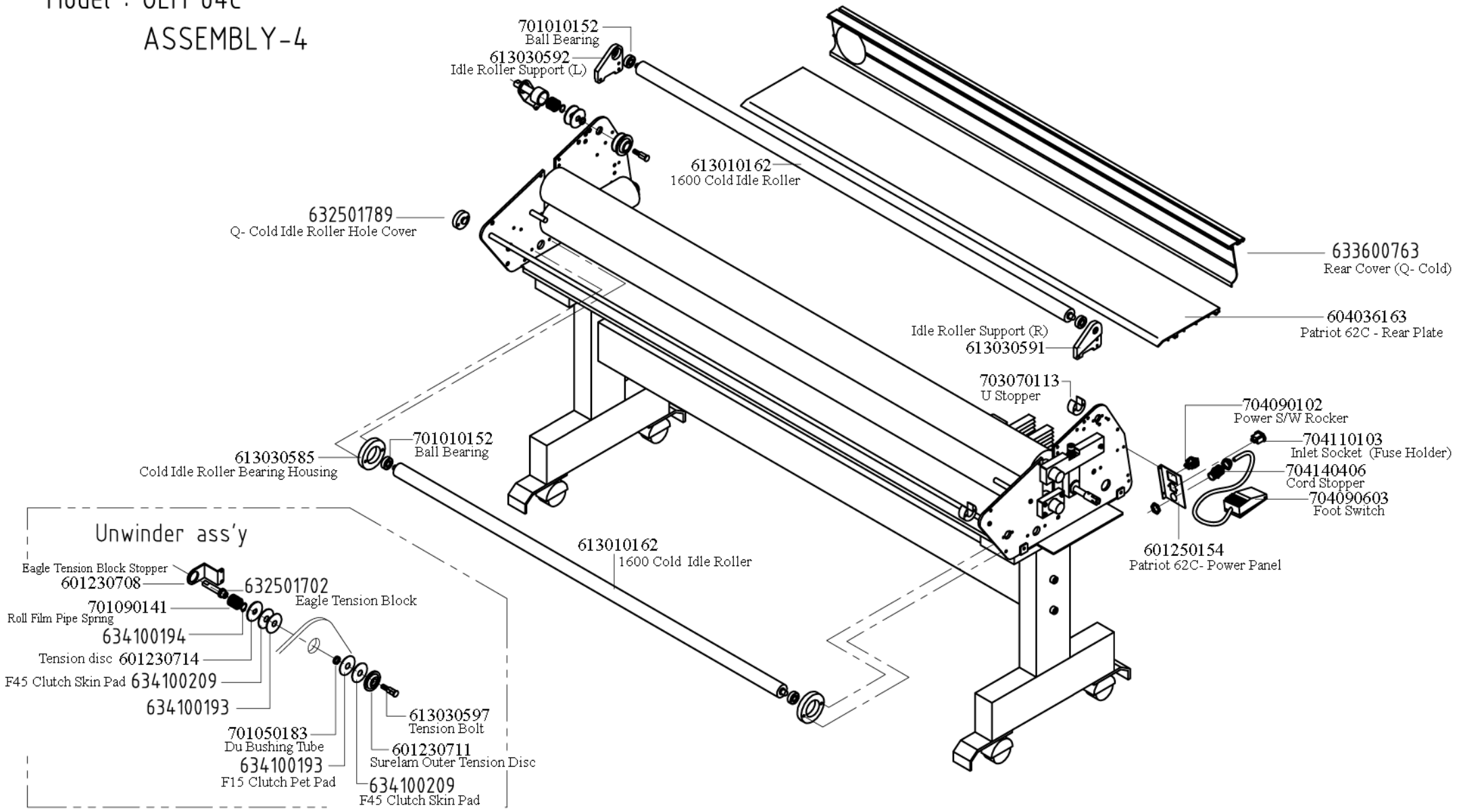
| | | | | | | | | | |
|----------|------|------------|----------|---------|----------|---|-----|-------------|--------------|
| | | Quantity | Designed | Checked | Approved | Scale | 1/1 | DATE | 2006. 04. 04 |
| | | Material | | | | Unit | mm | MODEL | OEM 64C |
| | | Sur/finish | | | | Project | 3 | PART NAME | ASSEMBLY-2 |
| | | Tolerance | | | | | | DRAWING No. | O64C-E0020 |
| | | Chamfer | | | | | | PART CODE | |
| | | Round | | | | | | | |
| REVISION | DATE | | | | |  GMP CO., LTD | | | |

Model : OEM 64C
ASSEMBLY-3



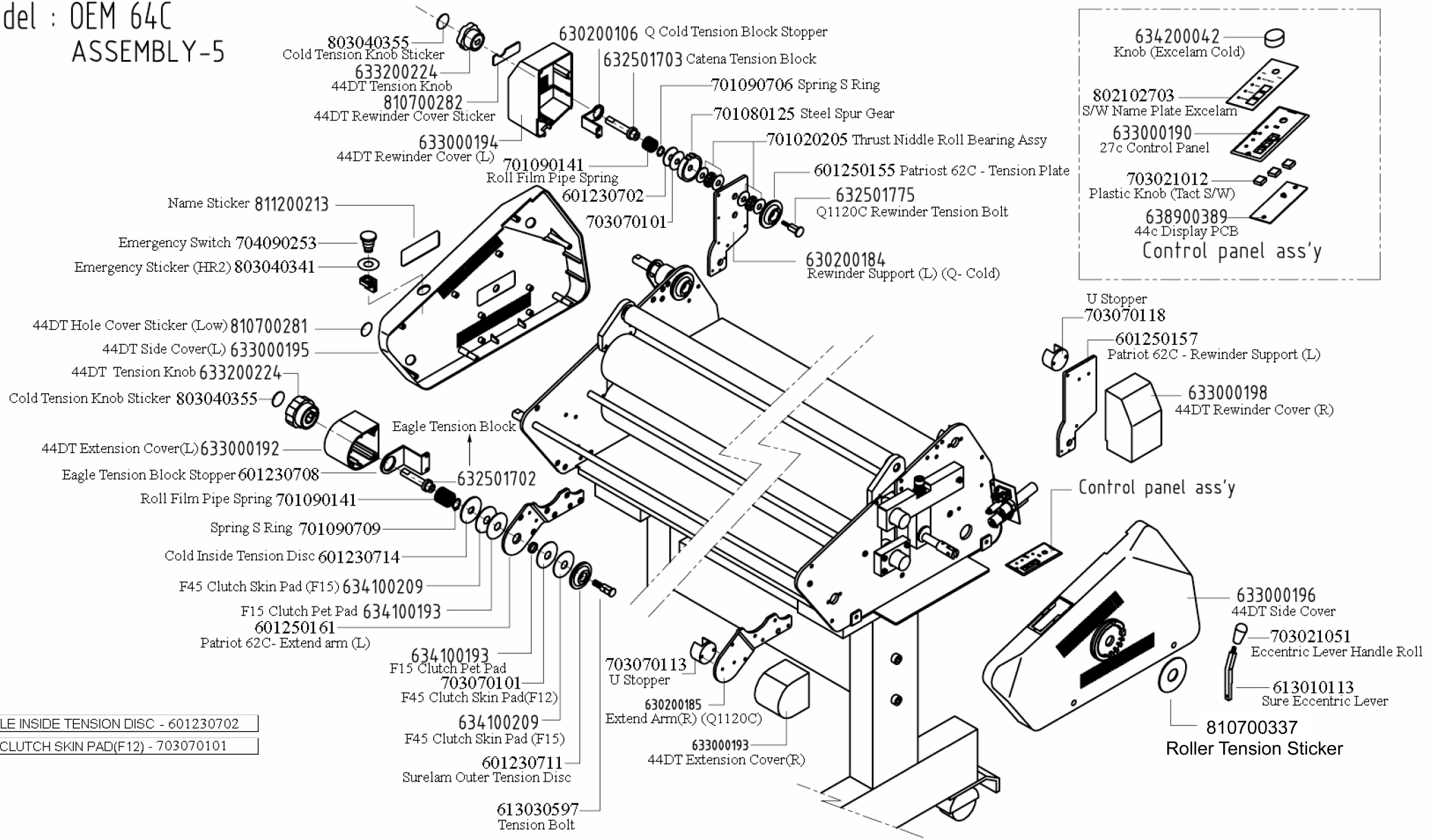
| | | | | | | | | | |
|-----------------------|----------|------------|----------|---------|-----------|---------|-----|-------------|--------------|
| 5 4 3 2 1 | | Quantity | Designed | Checked | Approved | Scale | 1/1 | DATE | 2006. 04. 04 |
| | | Material | | | | Unit | mm | MODEL | OEM 64C |
| | | Sur/finish | | | | Project | 3 | PART NAME | ASSEMBLY-3 |
| | | Tolerance | | | | | | DRAWING No. | O64C-E0030 |
| | | Chamfer | | | PART CODE | | | | |
| | REVISION | DATE | Round | | | | | | |

Model : OEM 64C
ASSEMBLY-4



| | | | | | | | | |
|-----------------------|------------|----------|---------|----------|---------------------|-----|-------------|--------------|
| 5 4 3 2 1 | Quantity | Designed | Checked | Approved | Scale | 1/1 | DATE | 2006. 04. 04 |
| | Material | | | | Unit | mm | MODEL | OEM 64C |
| | Sur/finish | | | | Project | 3 | PART NAME | ASSEMBLY-4 |
| | Tolerance | | | | GMP CO., LTD | | DRAWING No. | 064C-E0040 |
| | Chamfer | | | | | | PART CODE | |
| REVISION | DATE | Round | | | | | | |

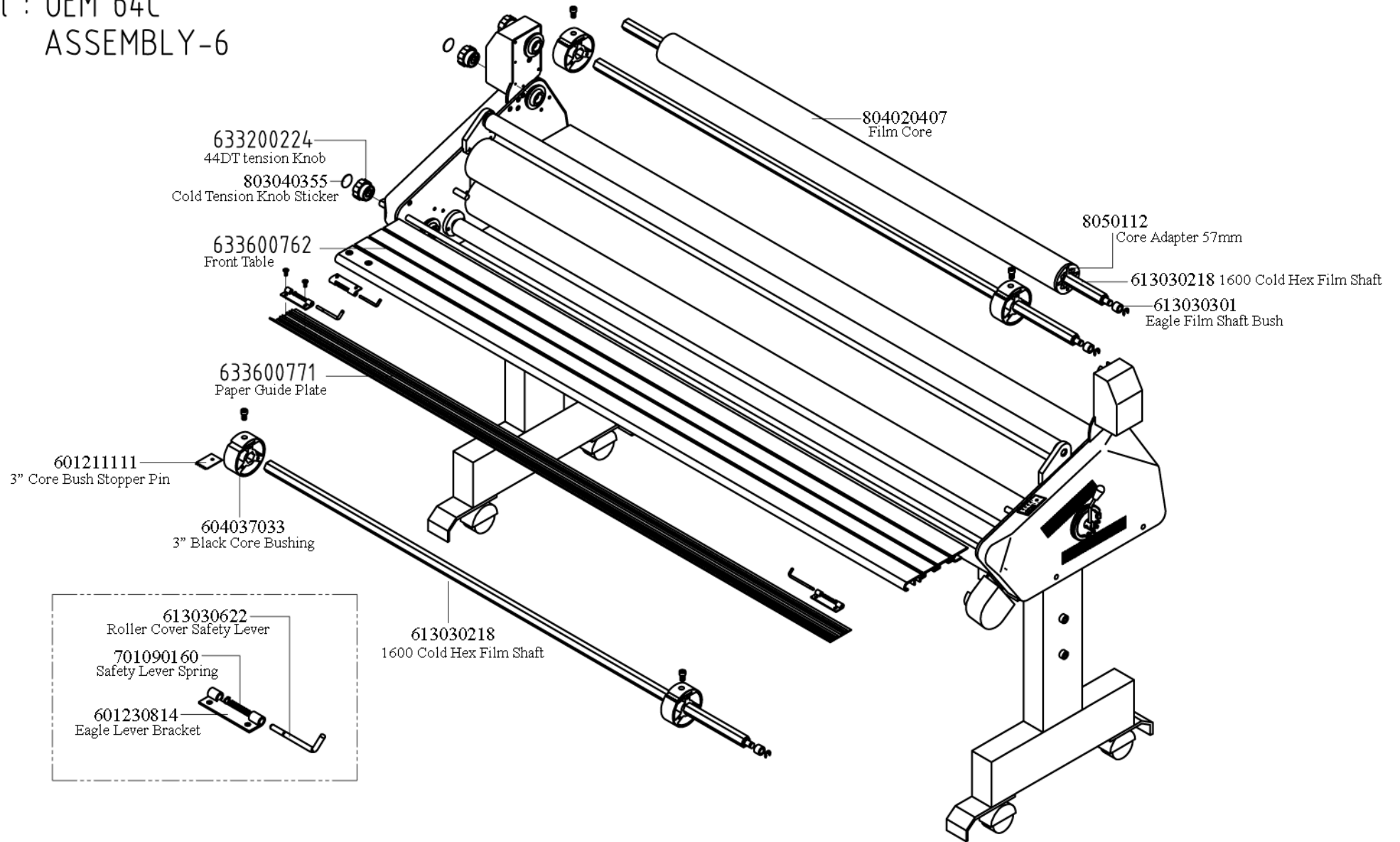
Model : OEM 64C
ASSEMBLY-5




EAGLE INSIDE TENSION DISC - 601230702
F45 CLUTCH SKIN PAD(F12) - 703070101

| | | | | | | | | |
|----------|------------|----------|---------|----------|---------|-----|-------------|--------------|
| | Quantity | Designed | Checked | Approved | Scale | 1/1 | DATE | 2006. 04. 04 |
| | Material | | | | Unit | mm | MODEL | OEM 64C |
| | Sur/finish | | | | Project | 3 | PART NAME | ASSEMBLY-5 |
| | Tolerance | | | | | | DRAWING No. | 064C-E0050 |
| | Chamfer | | | | | | PART CODE | |
| REVISION | DATE | | | | | | | |

Model : OEM 64C
ASSEMBLY-6



| | | | | | | | | | |
|-----------------------|----------|------------|----------|---------|----------|---|-----|-------------|--------------|
| 5 4 3 2 1 | | Quantity | Designed | Checked | Approved | Scale | 1/1 | DATE | 2006. 04. 04 |
| | | Material | | | | Unit | mm | MODEL | ASSEMBLY-6 |
| | | Sur/finish | | | | Project | 3 | PART NAME | OEM 64C |
| | | Tolerance | | | | | | DRAWING No. | O64C-E0060 |
| | | Chamfer | | | | | | PART CODE | |
| | REVISION | DATE | | | |  GMP CO., LTD | | | |