

## Machine Parts list

<b>Part number</b>	<b>Item description</b>
601211111	3 in. Core bushing stopper pin
601230702	Inner tension plate
601230708	Tension block stopper
601230711	Outer tension disk
601230714	Inside tension disk
601230814	Lever fixing plate
601230819	Motor support
601230834	Spring cap
601230843	Cold paper guide plate
601230871	Cold sensor bracket (left)
601230872	Cold sensor bracket (right)
601250112	Rewinder support (left)
601250151	Bottom plate
601250152	Side plate (left)
601250153	Side plate (right)
601250154	Power panel
601250155	Outside tension plate
601250156	Support rod
601250157	Rewinder support (right)
601250158	Stand connector
601250159	Blade rail bracket (left)
601250160	Blade rail bracket (right)
601250161	Extend arm (left)
601250162	Extend arm (right)
604022101	Side cover (left)
604022102	Side cover (right)
604022103	Tension knob
604022131	Rewinder cover (left)
604022132	Rewinder cover (right)
604022133	Film extend cover (left)
604022134	Film extend cover (right)
604036161	Front cover
604036162	Rear cover
604036163	Rear plate
604036164	Blade rail
604036165	Front table
604037033	3 in. Black core bushing
607040517	Cold roller
609010302	A/C Geared
6090202	D/C Geared motor
610010206	Transformer
613010113	Eccentric Lever (PL)
613010162	Cold idler roller (PL)
613011005	Eccentric lever stopper (PL)
613020162	Cold eccentric shaft (PL)

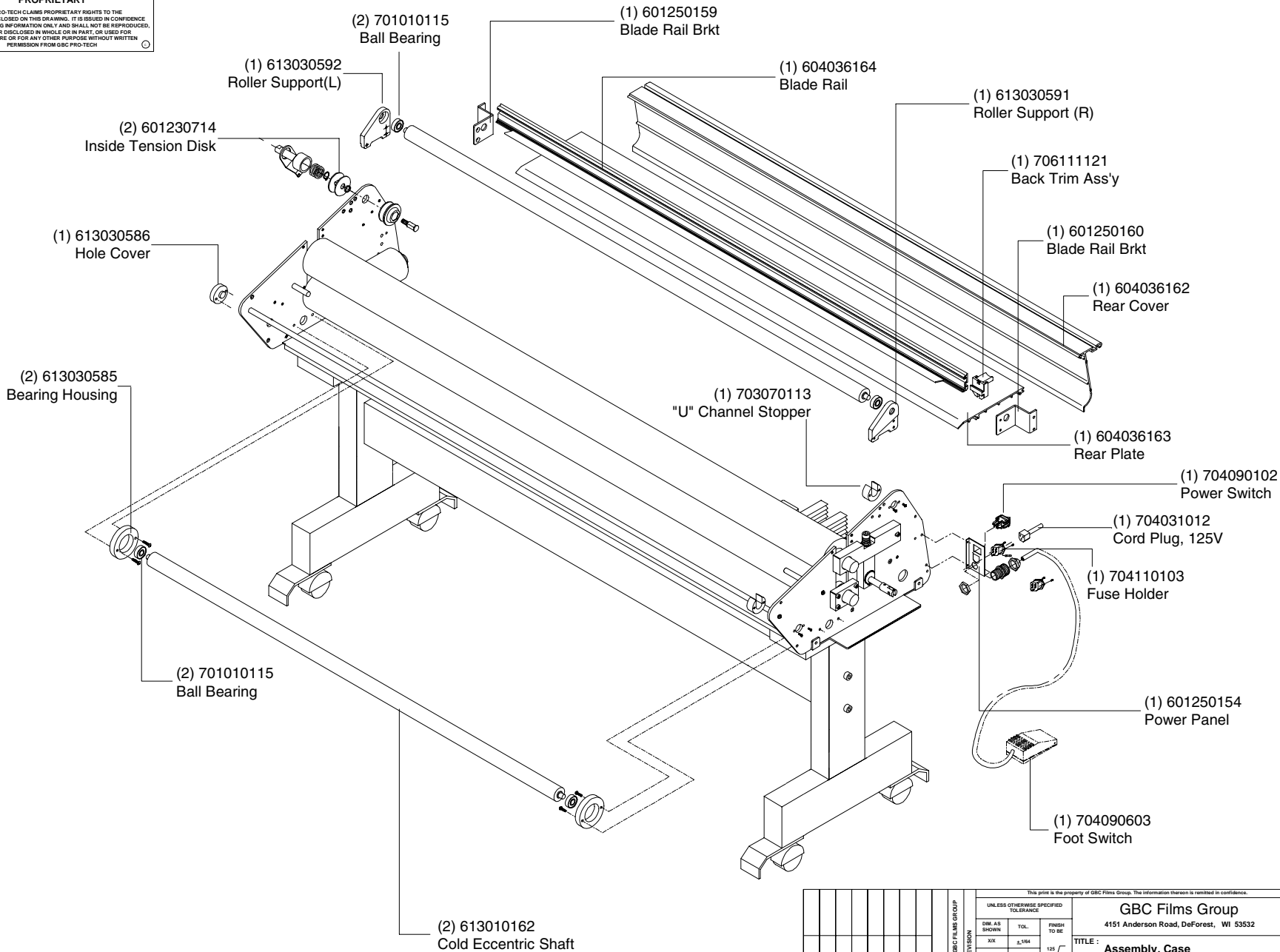
---

<b>Part number</b>	<b>Item description</b>
613030136	Cold tie bar (PL)
613030218	Cold hex film shaft (PL)
613030301	Film shaft bushing (PL)
613030312	Cold roller bushing (Lower)
613030530	Tension adjustment block
613030541	Feed table support rod
613030552	Rewinder tension bolt
613030584	Roller tension block (U/R)
613030585	Cold idler roller bearing housing
613030586	Cold idler roller hole cover
613030590	Cold idler pin
613030591	Idler roller support (right)
613030592	Idler roller support (left)
613030593	Roller tension block (U/L)
613030594	Roller cam block (low)
613030595	Roller mount (low)
613030596	Eccentric cam
613030597	Tension bolt
613030622	Roller cover safety lever (Lower)
613030624	Cold tension block pin
701010115	Ball bearing #6000
701010131	Ball bearing #6801
701020205	Thrust needle roller bearing 1226
701020206	Needle roller bearing, 2512
701050183	DU bushing tube, 15 - 04
701050258	Flange DU bushing, 25-15
701070223	Roller chain, 26 pcs
701080118	Steel spur gear, 15T
701080124	Steel spur gear, 43T
701080125	Steel spur gear, 49T
701080316	Steel spur + chain gear, 15T + 28T
701080547	Steel chain gear, 36T
701090126	Roller spring
701090142	Film pipe spring
701090160	Feed table coil spring
701090708	Spring S ring, 14
701090725	Spring S ring, 26
701107616	Hexagon socket head, M10
701130502	Castor, 10mm
703020245	Control panel
703021051	Eccentric lever handle, roller
703070101	Friction panel (leather)
703070113	“U” channel stopper
704031012	Cord plug, 125V
704090102	ON/OFF rocker switch
704090253	Emergency stop switch
704090603	Foot switch

<b>Part number</b>	<b>Item description</b>
704090802	Safety photo sensor
704110103	Fuse holder
704130112	Glass tube fuse, 20 mm
706011142	Display PCB
706011145	Main PCB
706111121	Back trimmer assembly
802034307	Machine name sticker, side
802105043	Control panel sticker
803021751	Serial plate sticker
803040304	Pressure adjustment sticker
803040341	Emergency sticker
803040421	Tesnion sticker
803040422	Lower pressure sticker
803040423	Upper pressure sticker
804020406	Paper core
8050112	Paper core cap, 57 mm

Parts Illustrations

**PROPRIETARY**  
 GBC PRO-TECH CLAIMS PROPRIETARY RIGHTS TO THE MATERIAL DISCLOSED ON THIS DRAWING. IT IS ISSUED IN CONFIDENCE FOR ENGINEERING INFORMATION ONLY AND SHALL NOT BE REPRODUCED, COPIED OR DISCLOSED IN WHOLE OR IN PART, OR USED FOR MANUFACTURE OR FOR ANY OTHER PURPOSE WITHOUT WRITTEN PERMISSION FROM GBC PRO-TECH

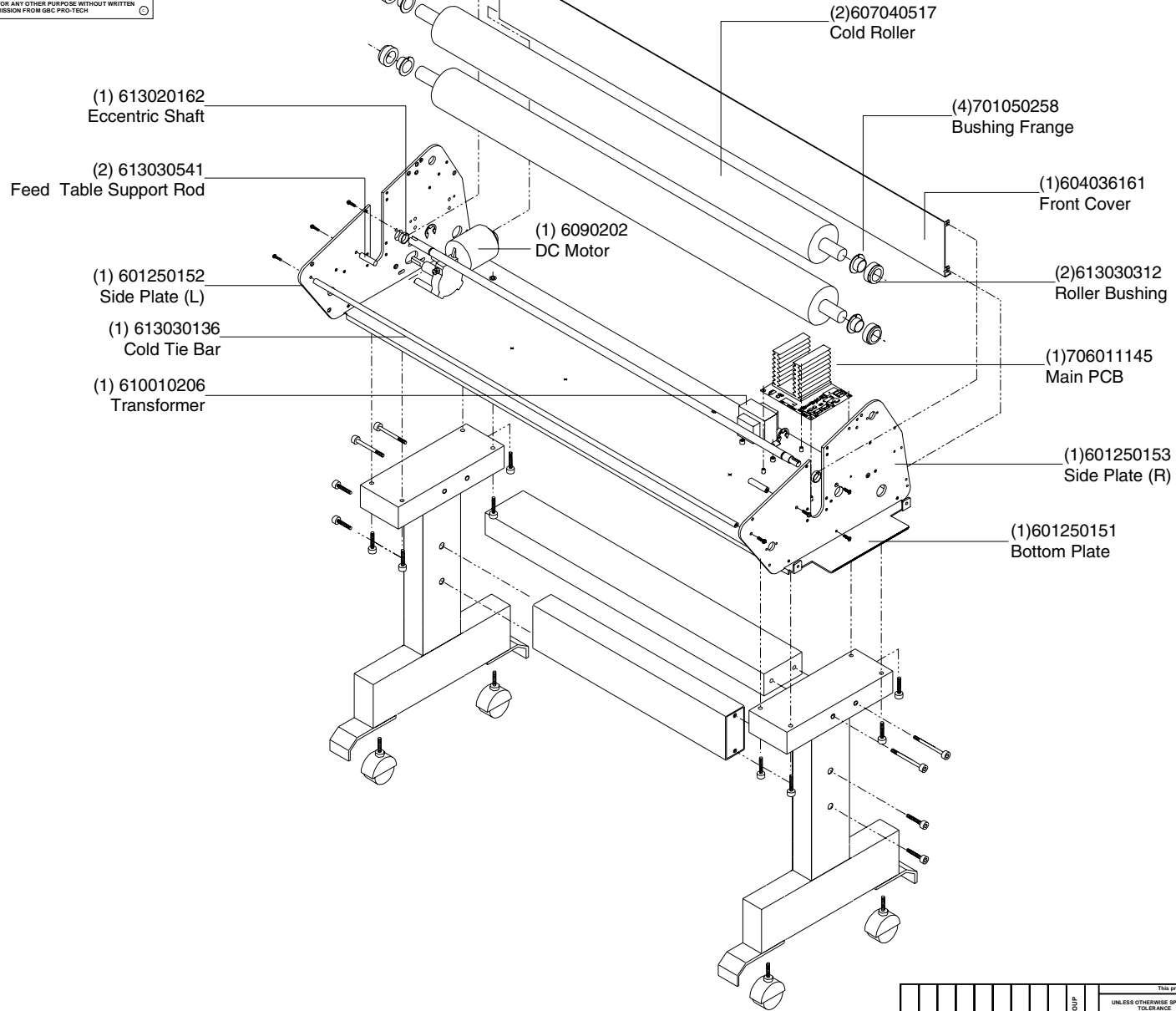


UNLESS OTHERWISE SPECIFIED			
DIM. AS SHOWN	TOL.	FINISH TO BE	
XX	±.184	125	
X	±.050		
XX	±.010		
XXX	±.020	ANGLES ±.5°	
XXXX	±.005		

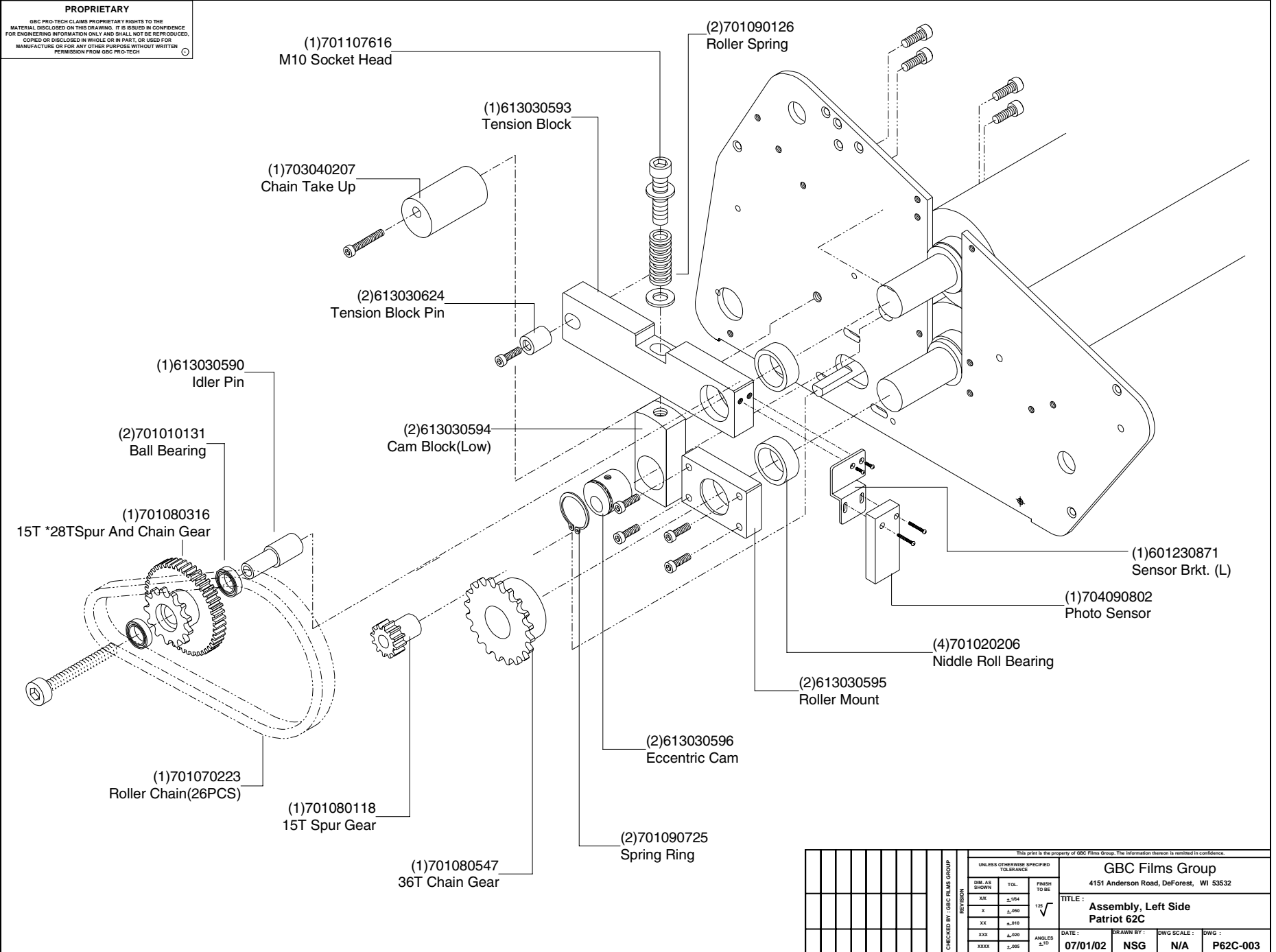
GBC Films Group 4151 Anderson Road, DeForest, WI 53532			
TITLE: Assembly, Case Patriot 62C			
DATE: 07/01/02	DRAWN BY: NSG	DWG SCALE: N/A	DWG: P62C-001

**PROPRIETARY**

GBC PRO-TECH CLAIMS PROPRIETARY RIGHTS TO THE MATERIAL DISCLOSED ON THIS DRAWING. IT IS ISSUED IN CONFIDENCE FOR ENGINEERING INFORMATION ONLY AND SHALL NOT BE REPRODUCED, COPIED OR DISCLOSED IN WHOLE OR IN PART, OR USED FOR MANUFACTURE OR FOR ANY OTHER PURPOSE WITHOUT WRITTEN PERMISSION FROM GBC PRO-TECH



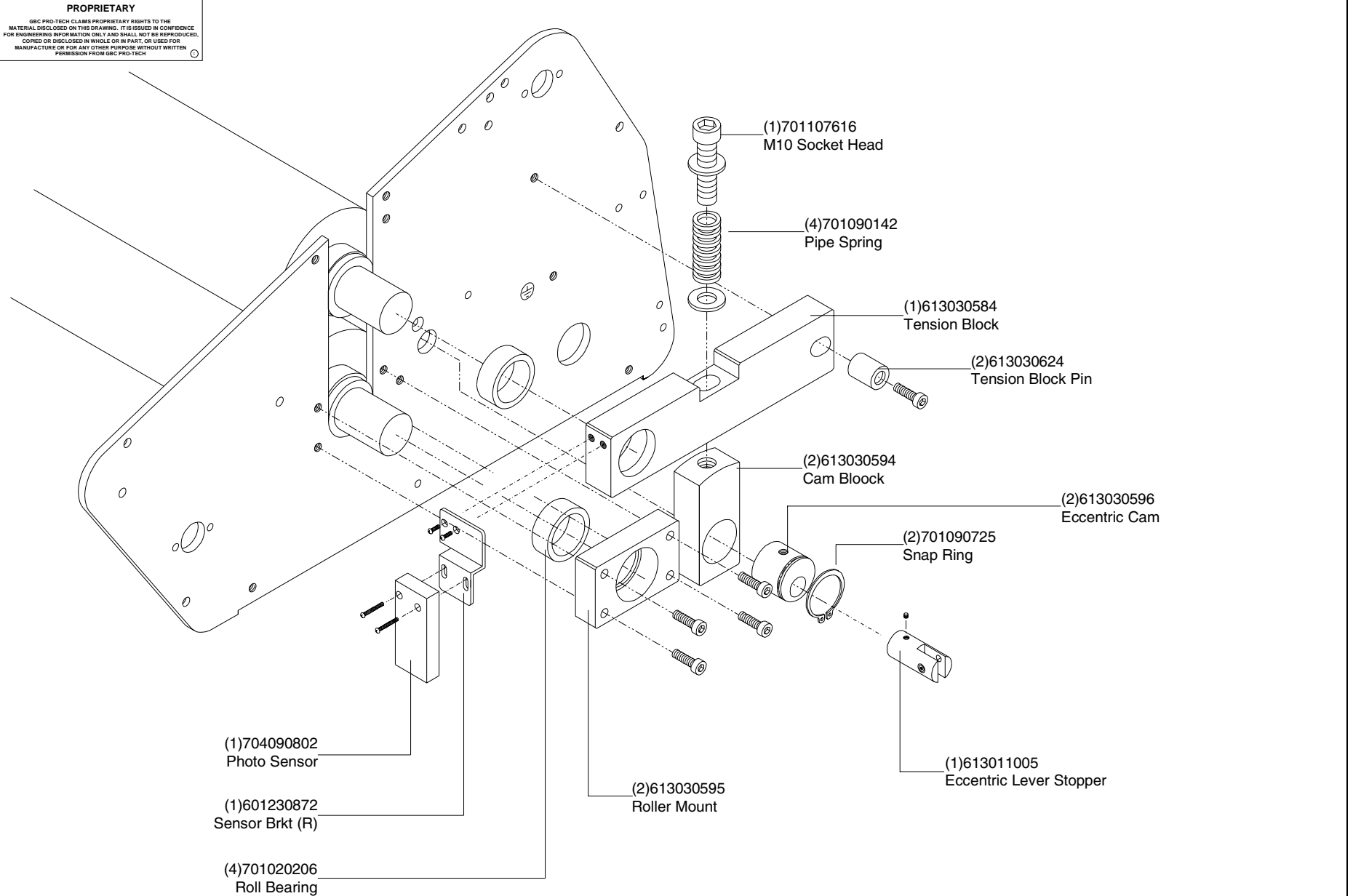
UNLESS OTHERWISE SPECIFIED TOLERANCE				FINISH TO BE				GBC Films Group 4151 Anderson Road, DeForest, WI 53532			
DM. AS SHOWN	TOL.			125	✓	TITLE: <b>Assembly, Frame Patriot 62C</b>					
XX	±.184					DATE:	DRAWN BY:	DWG SCALE:	DWG:		
X	±.059					07/01/02	NSG	N/A	P62C-002		
XX	±.010					ANGLES					
XXX	±.009					°/TO					
XXXX	±.005										



**PROPRIETARY**  
 GBC PRO-TECH CLAIMS PROPRIETARY RIGHTS TO THE MATERIAL DISCLOSED ON THIS DRAWING. IT IS ISSUED IN CONFIDENCE FOR ENGINEERING INFORMATION ONLY AND SHALL NOT BE REPRODUCED, COPIED OR DISCLOSED IN WHOLE OR IN PART, OR USED FOR MANUFACTURE OR FOR ANY OTHER PURPOSE WITHOUT WRITTEN PERMISSION FROM GBC PRO-TECH.

This print is the property of GBC Films Group. The information thereon is furnished in confidence.

UNLESS OTHERWISE SPECIFIED TOLERANCE		GBC Films Group 4151 Anderson Road, DeForest, WI 53532	
DIM. AS SHOWN	TOL.	FINISH TO BE	TITLE: <b>Assembly, Left Side Patriot 62C</b>
X/8	±.184	1/2 √	DATE: <b>07/01/02</b>
X	±.050		DRAWN BY: <b>NSG</b>
XX	±.010		DWG SCALE: <b>N/A</b>
XXX	±.002	ANGLES ±.70	DWG: <b>P62C-003</b>
XXXX	±.005		



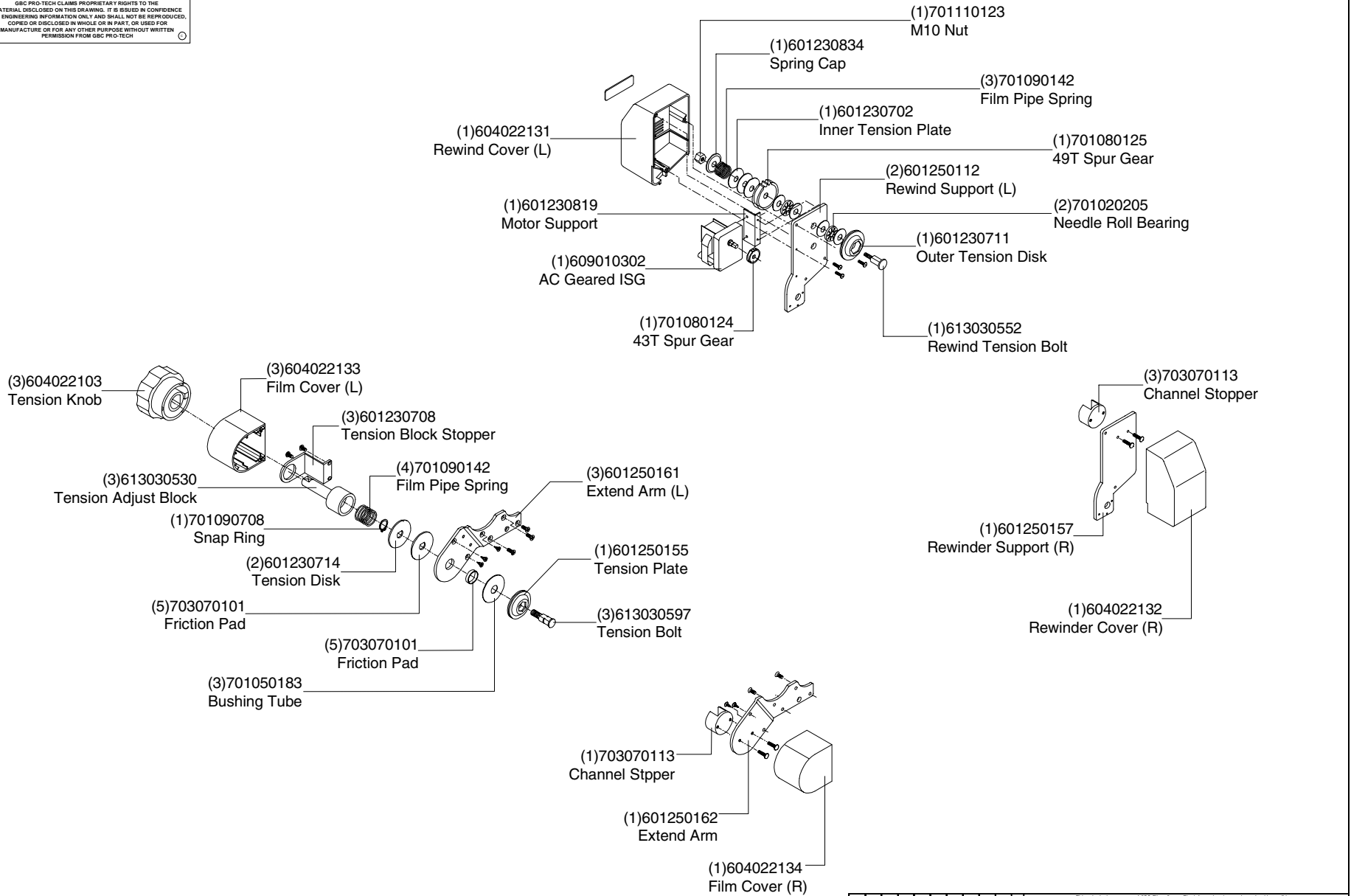
UNLESS OTHERWISE SPECIFIED TOLERANCE				FINISH TO BE				ANGLES			
DM. AS SHOWN	TOL.			125	✓						
XX	±.184										
X	±.059										
XX	±.010										
XXX	±.009										
XXXX	±.005										

This print is the property of GBC Films Group. The information thereon is issued in confidence.											
GBC Films Group						4151 Anderson Road, DeForest, WI 53532					
TITLE: Assembly, Right side						DATE: 07/01/02					
Patriot 62C						DRAWN BY: NSG					
DWG SCALE: N/A						DWG: P62C-005					



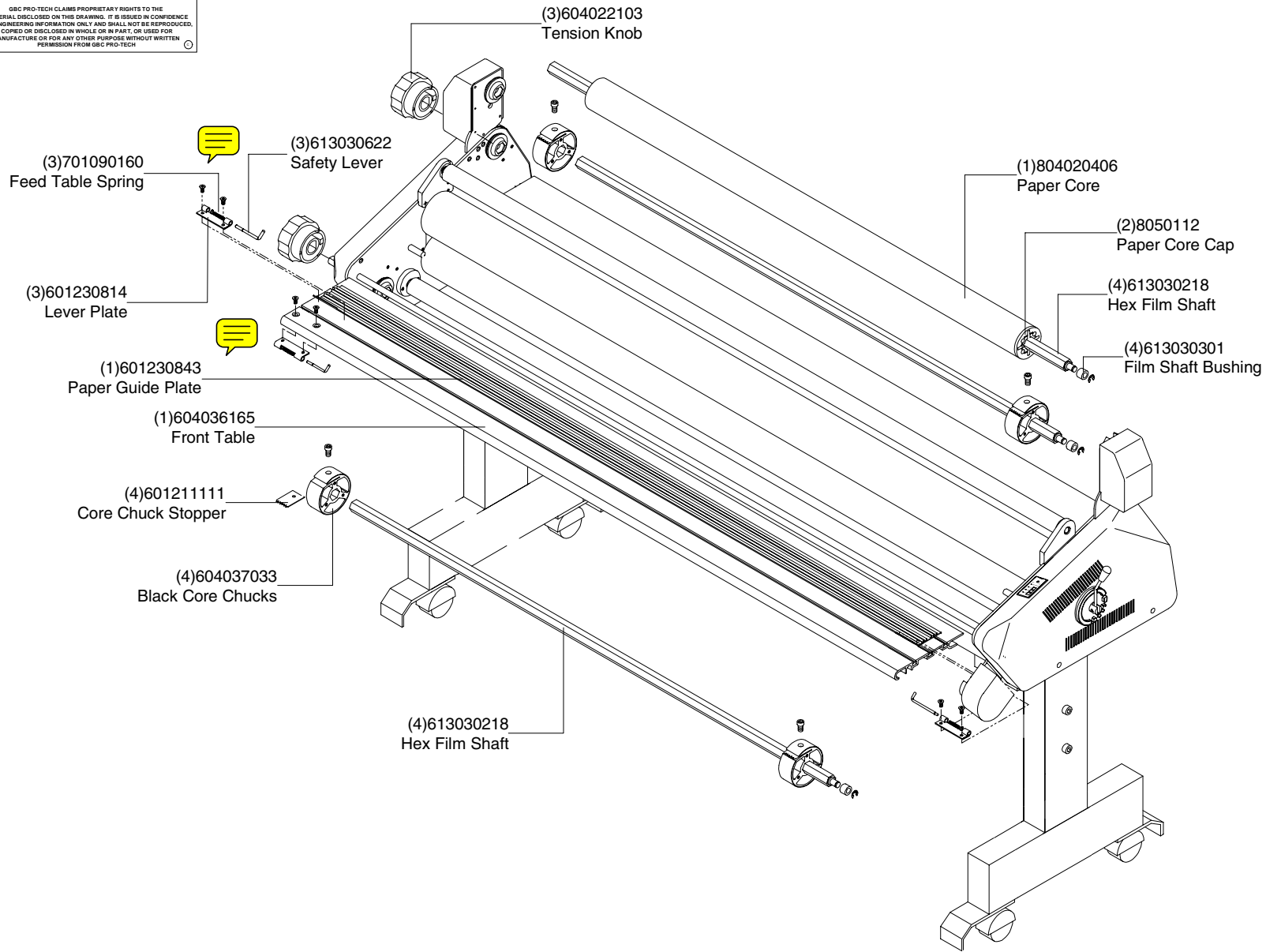
**PROPRIETARY**

GBC PRO TECH CLAIMS PROPRIETARY RIGHTS TO THE MATERIAL DISCLOSED ON THIS DRAWING. IT IS ISSUED IN CONFIDENCE FOR ENGINEERING INFORMATION ONLY AND SHALL NOT BE REPRODUCED, COPIED OR DISCLOSED IN WHOLE OR IN PART, OR USED FOR MANUFACTURE OR FOR ANY OTHER PURPOSE WITHOUT WRITTEN PERMISSION FROM GBC PRO TECH.



UNLESS OTHERWISE SPECIFIED TOLERANCE			GBC Films Group 4151 Anderson Road, DeForest, WI 53532		
DIM./AS SHOWN	TOL.	FINISH TO BE	TITLE: <b>Assembly, Lower Unwind &amp; Rewind Patriot 62C</b>		
XX	±.124	1.25 √	DATE:	DRAWN BY:	DWG SCALE:
X	±.050		09/11/02	N/A	N/A
XX	±.010	ANGLES ±.10	DWG:	P62C-006	
XXX	±.002				
XXXX	±.005				

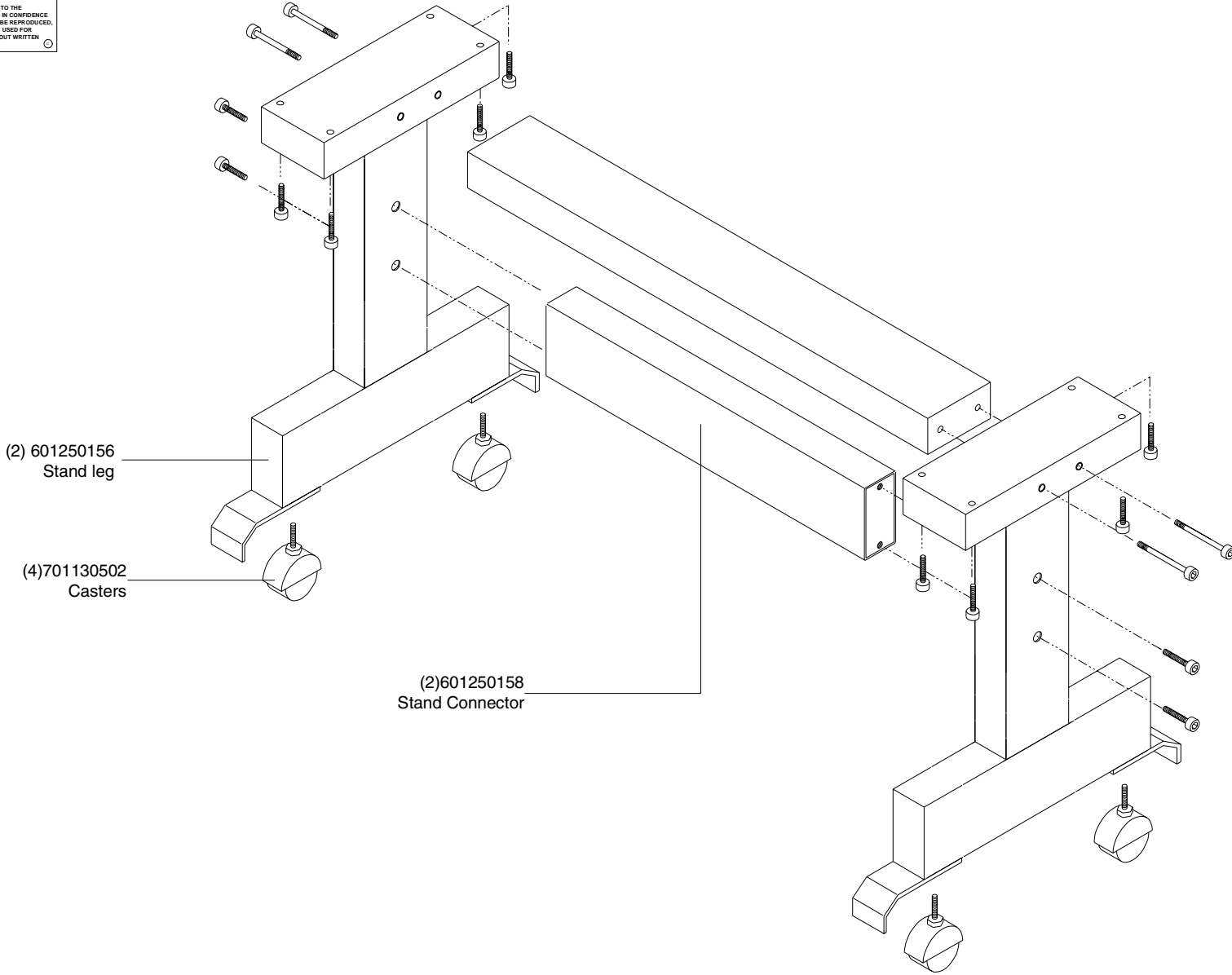
**PROPRIETARY**  
 GBC PRO-TECH CLAIMS PROPRIETARY RIGHTS TO THE MATERIAL DISCLOSED ON THIS DRAWING. IT IS ISSUED IN CONFIDENCE FOR ENGINEERING INFORMATION ONLY AND SHALL NOT BE REPRODUCED, COPIED OR DISCLOSED IN WHOLE OR IN PART, OR USED FOR MANUFACTURE OR FOR ANY OTHER PURPOSE WITHOUT WRITTEN PERMISSION FROM GBC PRO-TECH.



UNLESS OTHERWISE SPECIFIED TOLERANCE			GBC Films Group 4151 Anderson Road, DeForest, WI 53532	
DIM. AS SHOWN	TOL.	FINISH TO BE	TITLE: <b>Assembly, Unwinds &amp; rewind shafts Patriot 62C</b>	
XX	±.184	125	DATE: 07/01/02	DRAWN BY: NSG
X	±.050	✓	DWG SCALE: N/A	DWG: P62C-007
XX	±.010			
XXX	±.020	ANGLES		
XXXX	±.005	±.7D		
CHECKED BY: GBC FILMS GROUP				
DRAWN BY: GBC FILMS GROUP				

**PROPRIETARY**

GBC PRO TECH CLAIMS PROPRIETARY RIGHTS TO THE MATERIAL DISCLOSED ON THIS DRAWING. IT IS ISSUED IN CONFIDENCE. FOR ENGINEERING INFORMATION ONLY AND SHALL NOT BE REPRODUCED, COPIED OR DISCLOSED IN WHOLE OR IN PART, OR USED FOR MANUFACTURE OR FOR ANY OTHER PURPOSE WITHOUT WRITTEN PERMISSION FROM GBC PRO TECH.



(2) 601250156  
Stand leg

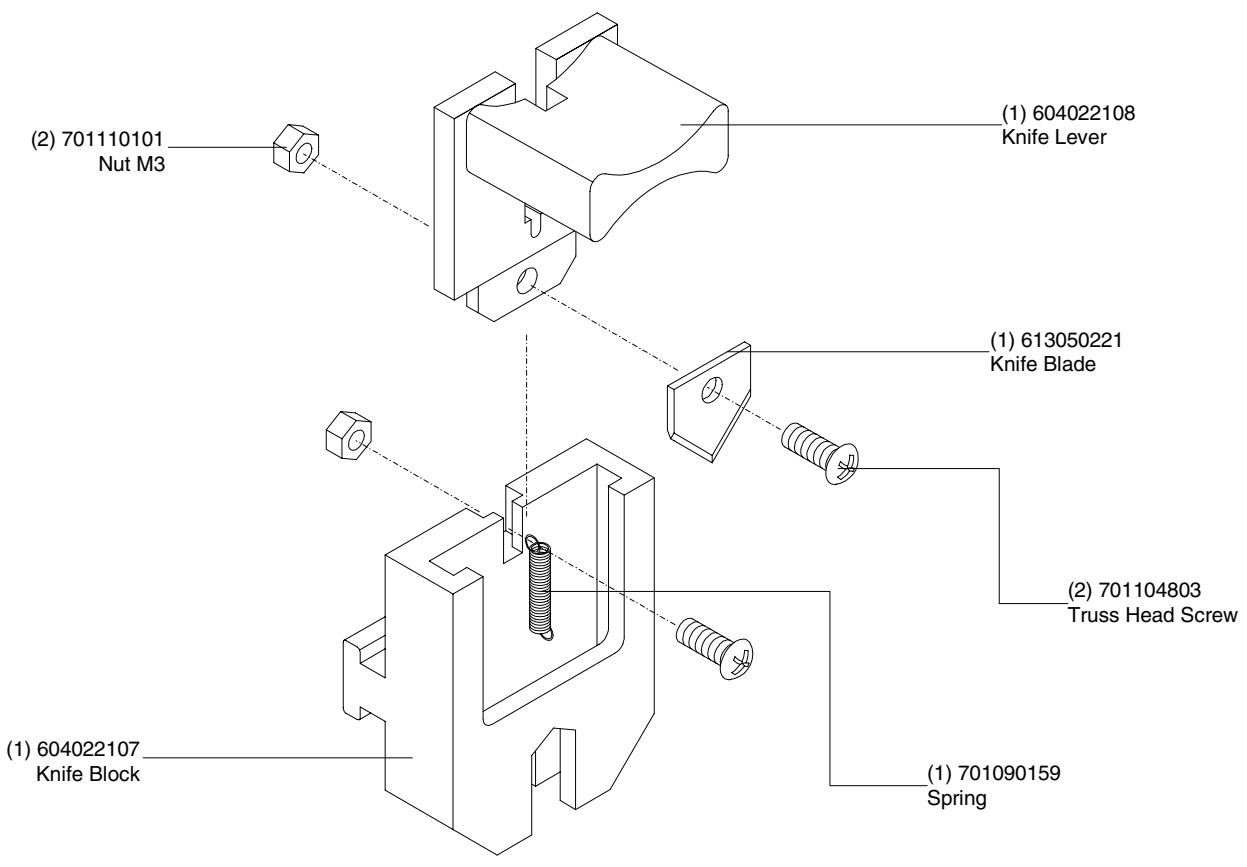
(4) 701130502  
Casters

(2) 601250158  
Stand Connector

This print is the property of GBC Films Group. The information thereon is furnished in confidence.

UNLESS OTHERWISE SPECIFIED TOLERANCE		GBC Films Group 4151 Anderson Road, DeForest, WI 53532	
DIM./AS SHOWN	TOL.	FINISH TO BE	TITLE : <b>Assembly, Stand Patriot 62C</b>
XX	±.124	1/2 √	DATE : <b>07/01/02</b>
X	±.050		DRAWN BY : <b>NSG</b>
XX	±.010		DWG SCALE : <b>N/A</b>
XXX	±.005	ANGLES	DWG : <b>P62C-008</b>
XXXX	±.005	±.70	

**PROPRIETARY**  
 GBC PRO-TECH CLAIMS PROPRIETARY RIGHTS TO THE MATERIAL DISCLOSED ON THIS DRAWING. IT IS ISSUED IN CONFIDENCE FOR ENGINEERING INFORMATION ONLY AND SHALL NOT BE REPRODUCED, COPIED OR DISCLOSED IN WHOLE OR IN PART, OR USED FOR MANUFACTURE OR FOR ANY OTHER PURPOSE WITHOUT WRITTEN PERMISSION FROM GBC PRO-TECH



UNLESS OTHERWISE SPECIFIED TOLERANCE				GBC Films Group 4151 Anderson Road, DeForest, WI 53532			
DM. AS SHOWN	TOL.	FINISH TO BE	125	TITLE : <b>Assembly, slitter</b>			
XX	±.164			DATE :	DRAWN BY :	DWG SCALE :	DWG :
X	±.050			07/01/02	NSG	N/A	706111121
XX	±.010			ANGLES ±.10			
XXX	±.020						
XXXX	±.005						

## TECHNICAL SERVICE & SUPPORT BULLETIN

T.S.S.B. NO.	<b>1000V</b>	DATE:	6/6/08
MODEL:	<b>VARIOUS MODELS</b>		
SUBJECT:	<b>FEED TABLE &amp; PRESSURE PLATE SAFETY LEVER ASSEMBLY</b>	PAGE:	1 of 3

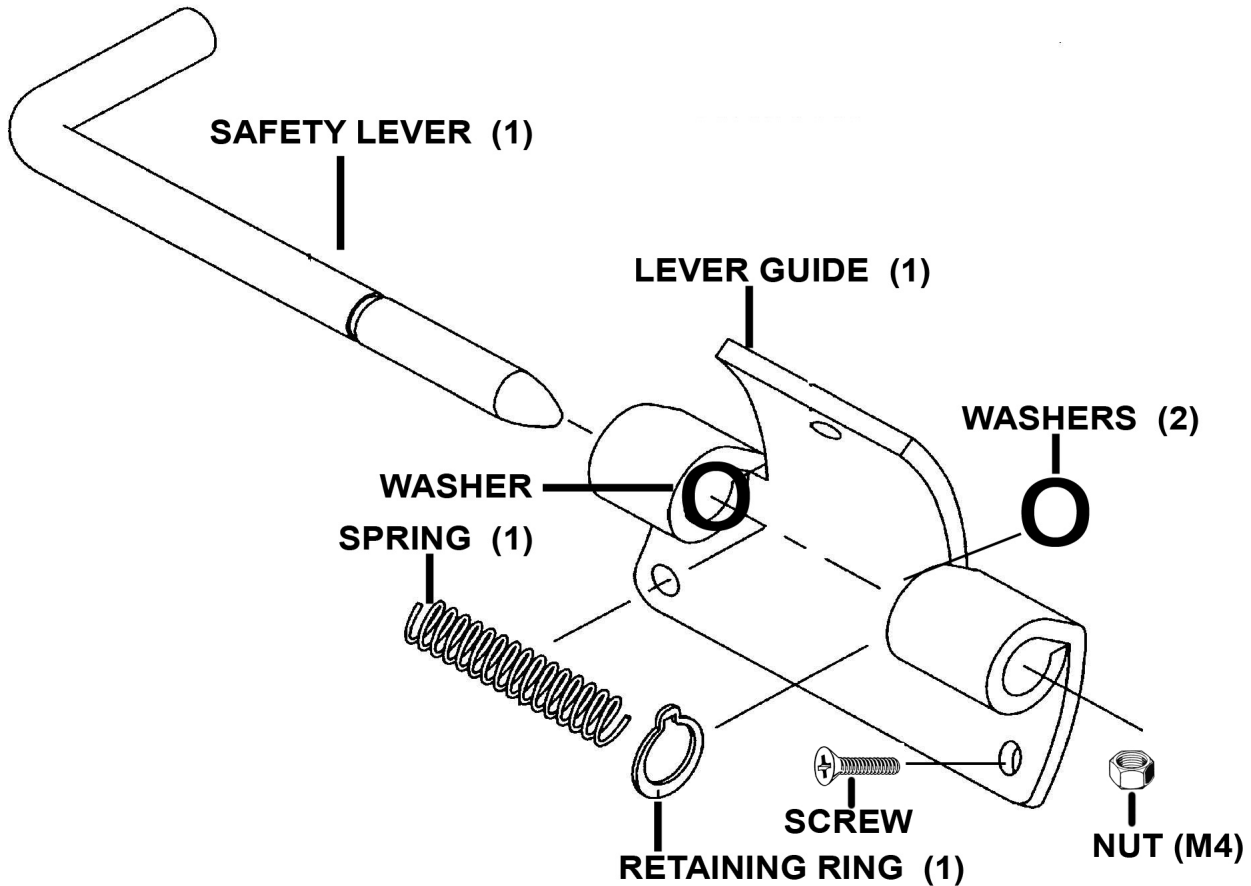
This TSSB obsoletes and supersedes TSSB 1000T, dated 5/16/08.

Here is the drawing and part numbers for the feed table safety lever and feed table pressure plate assembly. Part numbers in red indicate that these part numbers were wrong or not in the parts lists or service manuals.



10303 80<sup>th</sup> Avenue, Pleasant Prairie, WI 53158 • PH 800-723-4000 • fax 888-821-3736 • [www.gbc.com](http://www.gbc.com)

# SAFETY LEVER & TABLE PRESSURE PLATE ASSEMBLY



**NOTE:** Some laminators have a 2 hole lever guide and others have a 3 hole guide.  
Use nuts where required. See the next page for part numbers.

**Laminator Safety Lever Assemblies, common parts**

**Lever                      Lever Guide                      Mounting Screws                      Spring                      Retaining Ring                      Lever Washers**

<b>Model</b>	<b>GBC#</b>	<b>GMP#</b>	<b>GBC#</b>	<b>GMP#</b>	<b>GBC#</b>	<b>Nuts</b>	<b>GBC#</b>	<b>GMP#</b>	<b>GBC#</b>	<b>GMP#</b>	<b>GBC#</b>	<b>GMP#</b>
Ultima65	1712074/ 613030613	632500696	1711638/ 601310511	630600403	632501314	N/A	1712612/ 701090160	810400152	1711636/ 701090721	810400080	701110203	810100045
Ultima65-1	613030613	632500696	601310511	630600403	632501314	N/A	701090160	810400152	701090721	810400080	701110203	810100045
Titan110/165 RevA	613030613	632500696	601230814	630600167	810300347	M4	701090160	810400152	701090721	810400080	701110203	810100045
Titan110/165	613030613	632500696	601230814	630600167	810300347	M4	701090160	810400152	701090721	810400080	701110203	810100045
Titan 1264	632500704	632500704	601230814	630600167	810300347	M4	701090160	810400152	701090721	810400080	701110203	810100045
Titan 1244	632500704	632500704	601230814	630600167	810300347	M4	701090160	810400152	701090721	810400080	701110203	810100045
Patriot62C	632500704	632500704	601230814	630600167	810300347	M4	701090160	810400152	701090721	810400080	701110203	810100045
Patriot27HS	613030613	632500696	601310511	630600403	632501314	n/a	701090160	810400152	701090721	810400080	701110203	810100045
Eagle35/65/105	613030613	632500696	601230814	630600167	810300347	M4	701090160	810400152	701090721	810400080	701110203	810100045
Discovery (Same as Ultima)	1712074/ 613030613	632500696	1711638/ 601310511	630600403	632501314	N/A	1712612/ 701090160	810400152	1711636/ 701090721	810400080	701110203	810100045
Catena35/65/105	613030613	632500696	601230814	630600167	810300347	M4	701090160	810400152	701090721	810400080	701110203	810100045
ArcticTitan165	613030613	632500696	601230814	630600167	810300347	M4	701090160	810400152	701090721	810400080	701110203	810100045
Arctic Titan165RevA	632500704	632500704	630600167	630600167	810300347	M4	810400152	810400152	701090721	810400080	701110203	810100045
Arctic Titan 1064	632500704	632500704	601230814	630600167	810300347	M4	701090160	810400152	701080721	810400080	701110203	810100045
64C	632500704	632500704	601230814	630600167	810300347	M4	701090160	810400152	701090721	810400080	701110203	810100045
2064 Rear table	632500704	632500704	601310511	630600403	632501314	N/A	810400152	810400152	701080721	810400080	701110203	810100045
2064 Pressure plate	632500704	632500704	630600167	630600167	810300347	M4	810400152	810400152	701080721	810400080	701110203	810100045
3064 Rear table	613030613	632500696	601310511	630600403	632501314	N/A	701090160	810400152	701090721	810400080	701110203	810100045
3064 Pressure plate	632500704	632500704	601230814	630600167	810300347	M4	701090160	810400152	701090721	810400080	701110203	810100045
4064Pressure plate	632500704	632500704	601230814	630600167	810300347	M4	701090160	810400152	701080721	810400080	701110203	810100045



## TECHNICAL SERVICE & SUPPORT BULLETIN

T.S.S.B. NO.	<b>1019</b>	DATE:	5/31/07
MODEL:	<b>PATRIOT 25HC, 12HR, 38HC, 25E, 27HS, 62C</b>		
SUBJECT:	<b>ROHS &amp; NON-ROHS MAIN P.C. BOARDS</b>	PAGE:	1 of 1

The Patriot laminators manufactured with (S/N#SK) and below will continue to use the non ROHS complaint Main P.C. Boards. Listed below are the part numbers to use when ordering.

25HC P/N# 706011106  
12HR P/N# 706011106  
38HC P/N# 706011106  
25E P/N# 1722914

NOTE: The Patriot 25E and the Ultima 65-1 use the same Main P.C. Board. The triac that comes with this kit is not used on the Patriot 25E. It can be used with the Ultima 65-1.

Patriot laminators manufactured with (S/N#SL) and above will use the ROHS compliant Main P.C. Boards. Listed below are the part numbers to use when ordering.

25HC P/N# 638900406  
12HR P/N# 638900406  
38HC P/N# 638900406  
25E P/N# 638900405

Note: All ROHS compliant Main P.C. Boards can use the same Infrared heat Sensor P/N# 639400018

There are two models of the Patriot laminators that are compatible for both before and after ROHS compliant Main P.C. Boards. These part numbers stay the same.

27HS P/N# 706011011  
62C P/N# 706011145