

6250 - 1 & 6360 - 1

PARTS LIST

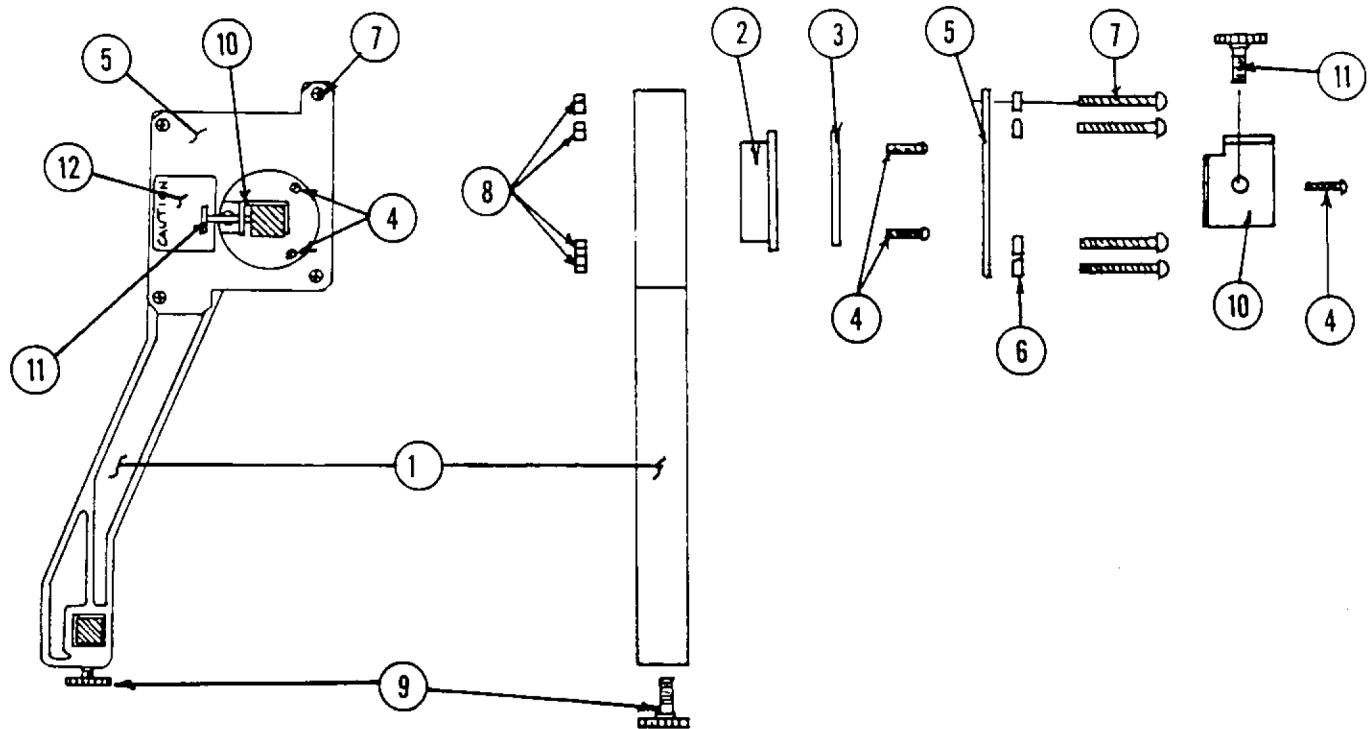


FIGURE 10.14.1

| ITEM NO. | PART NUMBER | DESCRIPTION | 6250-1 | 6360-1 |
|----------|-------------|---------------------------------------|--------|--------|
| 1 | 1152299 | SLITTER ARM | 3 | 3 |
| 2 | 1152298 | SLITTER HOLDER. | 3 | 3 |
| 3 | 1152286 | CLAMP PLATE, SLITTER. | 3 | 3 |
| 4 | 1911109 | SCREW, 6-32 X 1/4". | 9 | 9 |
| 5 | 1152297 | RETAINER, SLITTER | 3 | 3 |
| 6 | 1925202 | WASHER, 11/64" FLAT | 12 | 12 |
| 7 | 1902812 | SCREW, #6-32 X 7/8" | 12 | 12 |
| 8 | 1926801 | NUT, #6-32. | 12 | 12 |
| 9 | 1140078 | KNOB, KNURLED SCREW | 3 | 3 |
| 10 | 1152653 | BRACKET, SLITTER. | 3 | 3 |
| 11 | 1914203 | SCREW, #10-32 X 1/2" KNURLED. | 3 | 3 |
| 12 | 1140051 | LABEL, SLITTER BLADE CAUTION. | 6 | 6 |

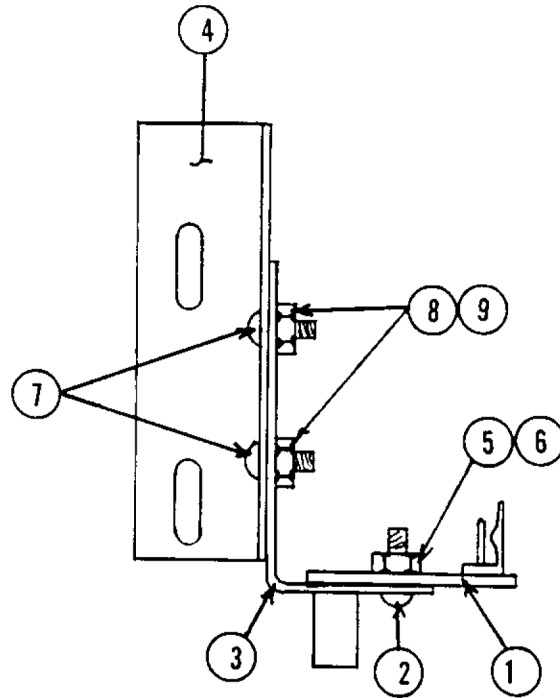


FIGURE 10.14.2

| ITEM NO. | PART NUMBER | DESCRIPTION | 6250-1 | 6360-1 |
|----------|-------------|---|--------|--------|
| 1 | 1152279 | INTERRUPTER BOARD | 1 | 1 |
| 2 | 1902842 | SCREW, #4-40 X 3/8" | 2 | 2 |
| 3 | 1152228 | MOUNTING BRACKET, MOTOR SENSOR. | 1 | 1 |
| 4 | 1152229 | BRACKET, MOTOR SENSOR | 1 | 1 |
| 5 | 1925801 | LOCKWASHER, #8. | 2 | 2 |
| 6 | 1926704 | NUT, #4-40. | 2 | 2 |
| 7 | 1911109 | SCREW, #6-32 X 1/4" | 2 | 2 |
| 8 | 1925007 | WASHER, #6 FLAT | 2 | 2 |
| 9 | 1926614 | NUT, #6-32. | 2 | 2 |

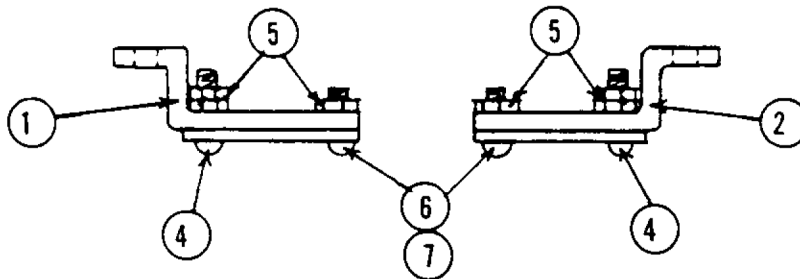
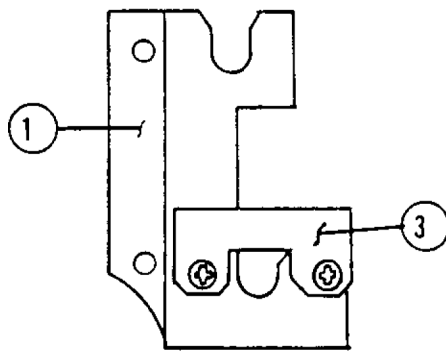
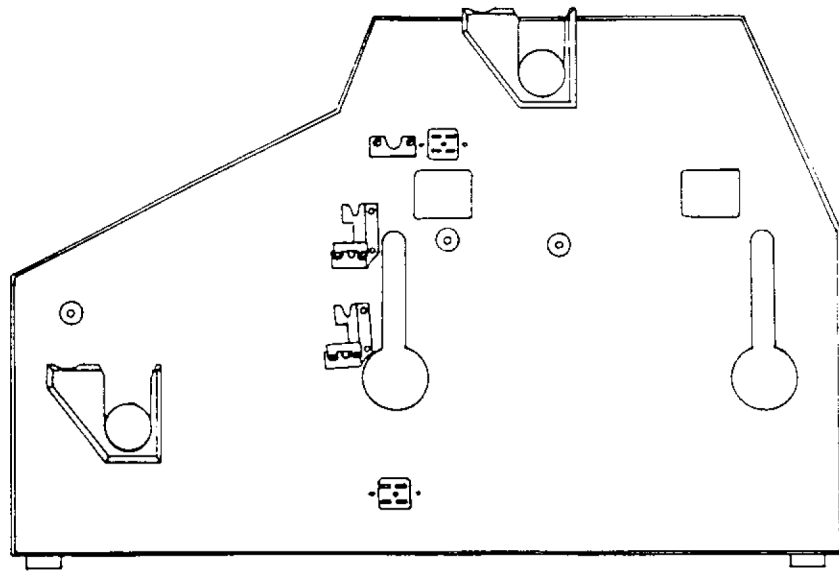


FIGURE 10.14.3

| ITEM NO. | PART NUMBER | DESCRIPTION | 6250-1 | 6360-1 |
|----------|-------------|---------------------------------|--------|--------|
| 1 | 1152474 | HEATER BRACKET, RIGHT | 2 | 2 |
| 2 | 1152475 | HEATER BRACKET, LEFT. | 2 | 2 |
| 3 | 1152476 | LATCH, HEATER BRACKET | 4 | 4 |
| 4 | 1902806 | SCREW, #8-32 X 5/8" | 4 | 4 |
| 5 | 1926702 | NUT, #10-32 | 12 | 12 |
| 6 | 1900508 | SCREW, #8-32 X 1/4" | 4 | 4 |
| 7 | 1925806 | LOCKWASHER, #8. | 4 | 4 |

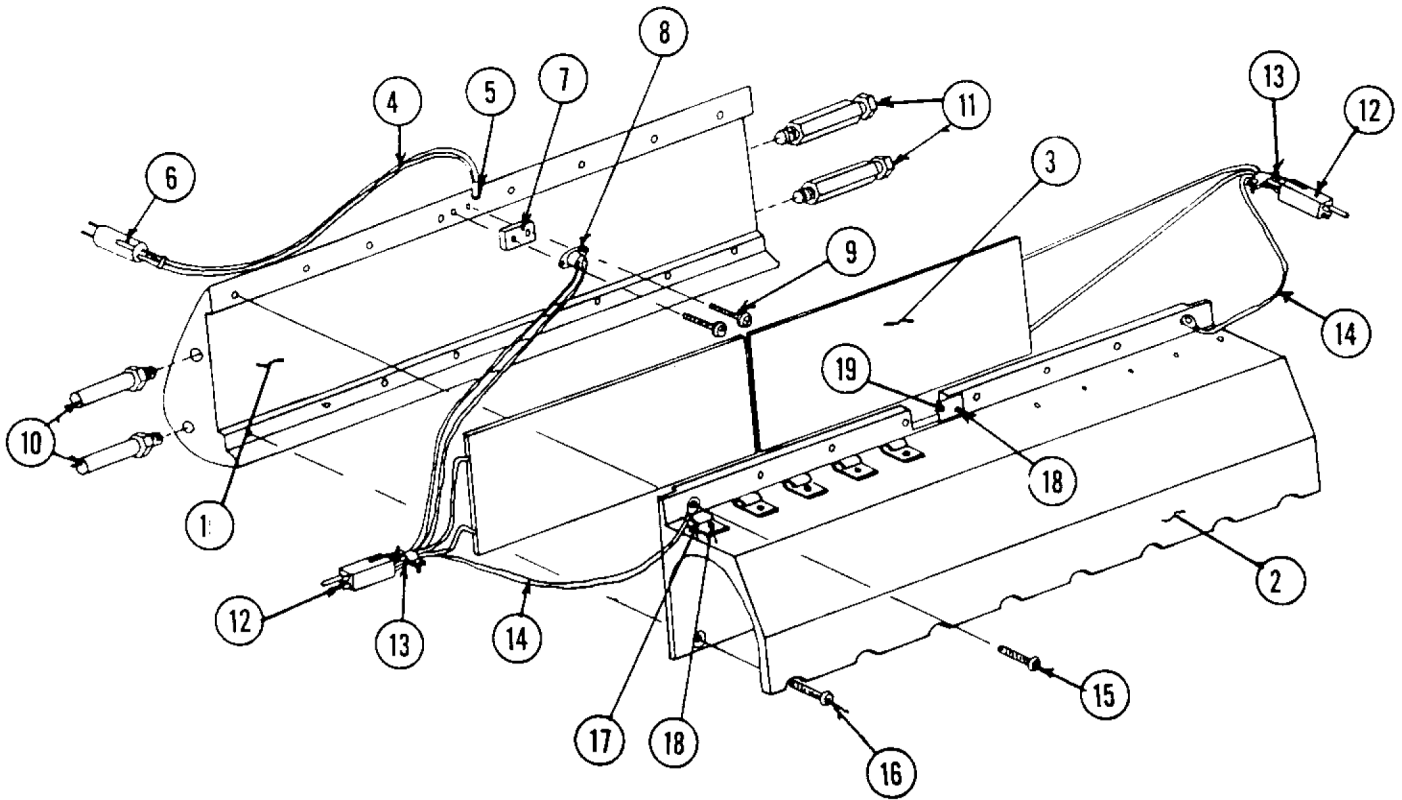


FIGURE 10.14.4

| ITEM NO. | PART NUMBER | DESCRIPTION | 6250-1 | 6360-1 |
|----------|-------------|---------------------------------------|--------|--------|
| 1 | 1152222 | HEAT SHOE, 25" | 2 | |
| | 1152224 | HEAT SHOE, 36" | | 2 |
| 2 | 1152219 | COVER, 25" ROLLER | 2 | |
| | 1152220 | COVER, 36" ROLLER | | 2 |
| 3 | 1152639 | HEATER ELEMENT. | 4 | |
| | 1152640 | HEATER ELEMENT. | | 4 |
| 4 | 1118556 | SENSOR, RTD | 2 | 2 |
| 5 | 1954325 | INSULATING SLEEVE | 2 | 2 |
| 6 | 1152347 | PLUG, 2 CONTACT | 2 | 2 |
| 7 | 1154840 | MOUNTING BLOCK, THERMOSTAT. | 2 | 2 |
| 8 | 1154841 | THERMOSTAT. | 2 | 2 |
| 9 | 1902842 | SCREW, #4-40 X 3/8" PAN HD. | 4 | 4 |
| 10 | 1152654 | POST. | 4 | 4 |
| 11 | 1152655 | POST, GROOVED | 4 | 4 |
| 12 | 1152265 | CONNECTOR, MALE | 4 | 4 |
| 13 | 1954334 | SHRINK TUBE | 4 | 4 |
| 14 | 1152284 | LEAD & TERMINAL (GREEN) | 4 | 4 |
| 15 | 1902853 | SCREW, #10-24 X 5/8" PAN HD. | 16 | 20 |
| 16 | 1902643 | SCREW, #10-24 X 3/8" FLAT HD. | 16 | 20 |
| 17 | 1152308 | SPRING CLIP | 10 | 14 |
| 18 | 1907812 | SCREW, #4-40 X 1/4" | 12 | 16 |
| 19 | 1152311 | SPRING. | 2 | 2 |

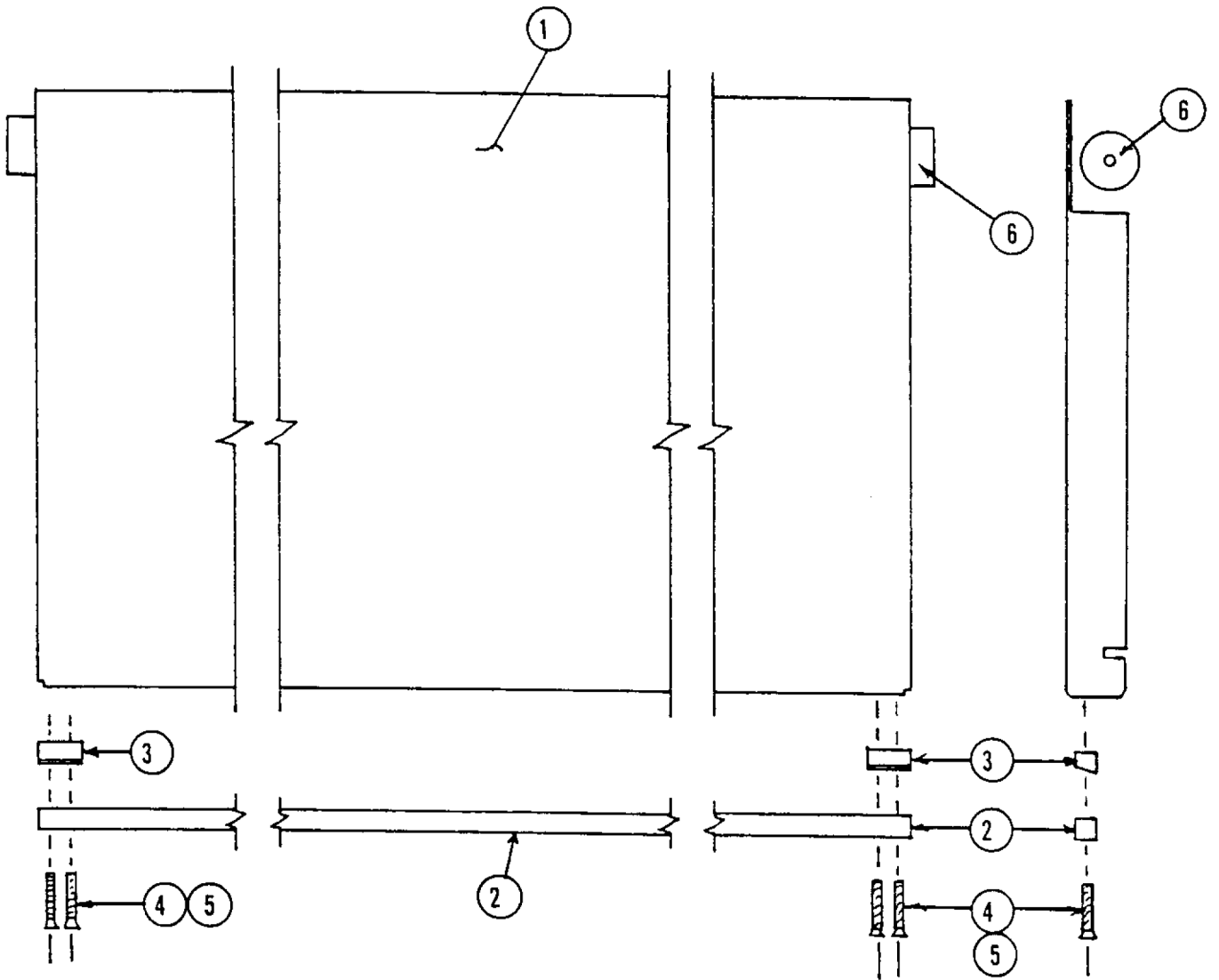


FIGURE 10.14.5

| ITEM NO. | PART NUMBER | DESCRIPTION | 6250-1 | 6360-1 |
|----------|-------------|---------------------------------------|--------|--------|
| 1 | 1152491 | FEED TABLE, 25" | 1 | |
| | 1152490 | FEED TABLE, 36" | | 1 |
| 2 | 1152650 | SUPPORT BAR, 25" GUIDE TRAY | 1 | |
| | 1152651 | SUPPORT BAR, 36" GUIDE TRAY | | 1 |
| 3 | 1152652 | SPACER, GUIDE TRAY. | 2 | 2 |
| 4 | 1902628 | SCREW, #10-32 X 1-1/2". | 4 | 4 |
| 5 | 1926702 | NUT, #10-32 | 4 | 4 |
| 6 | 1152488 | BAR, 25" TRAY SUPPORT | 1 | |
| | 1152489 | BAR, 36" TRAY SUPPORT | | 1 |

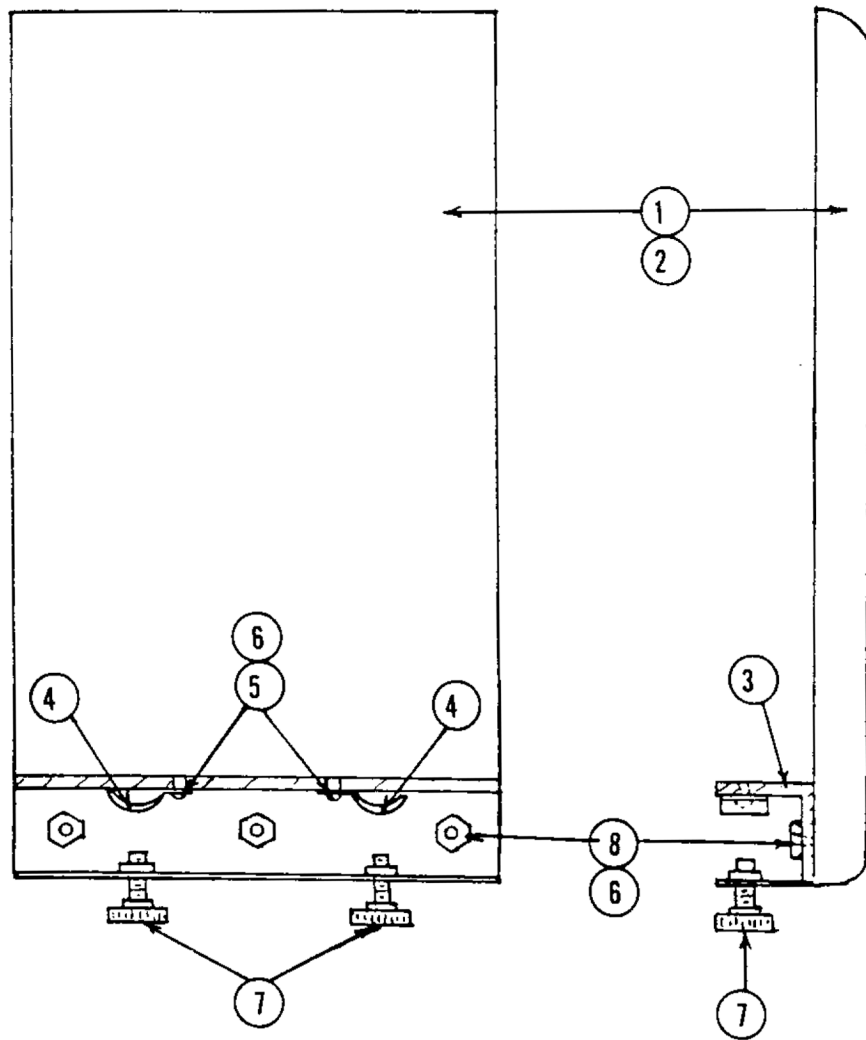


FIGURE 10.14.6

| ITEM NO. | PART NUMBER | DESCRIPTION | 6250-1 | 6360-1 |
|----------|-------------|-------------------------------------|--------|--------|
| 1 | 1152667 | GUIDE TRAY, LEFT. | 1 | 1 |
| 2 | 1152664 | GUIDE TRAY, RIGHT | 1 | 1 |
| 3 | 1152648 | GUIDE CHANNEL | 2 | 2 |
| 4 | 1152649 | SPRING, GUIDE BLOCK | 4 | 4 |
| 5 | 1902803 | SCREW, #6-32 X 1/4" PAN HD. | 4 | 4 |
| 6 | 1925904 | LOCKWASHER, #6. | 10 | 10 |
| 7 | 1140078 | KNOB, KNURLED SCREW | 4 | 4 |
| 8 | 1926707 | NUT, #6 | 10 | 10 |

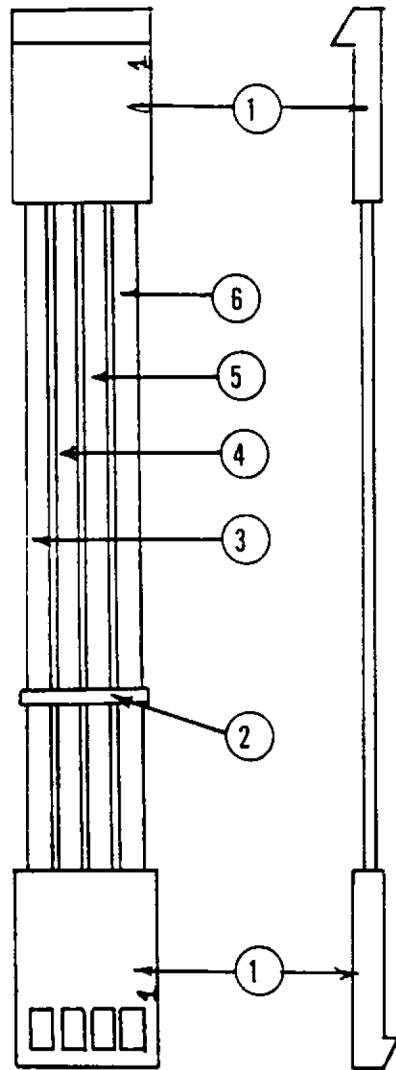


FIGURE 10.14.7

| ITEM NO. | PART NUMBER | DESCRIPTION | 6250-1 | 6360-1 |
|----------|-------------|------------------------------------|--------|--------|
| 1 | 1951302 | CONNECTOR 4 PIN SOCKET. | 2 | 2 |
| 2 | 1932121 | WIRE TIE. | 5 | 5 |
| 3 | 1152439 | LEAD & TERMINAL (GREEN) | 1 | 1 |
| 4 | 1152440 | LEAD & TERMINAL (RED) | 1 | 1 |
| 5 | 1152441 | LEAD & TERMINAL (ORANGE) | 1 | 1 |
| 6 | 1152442 | LEAD & TERMINAL (BLUE) | 1 | 1 |

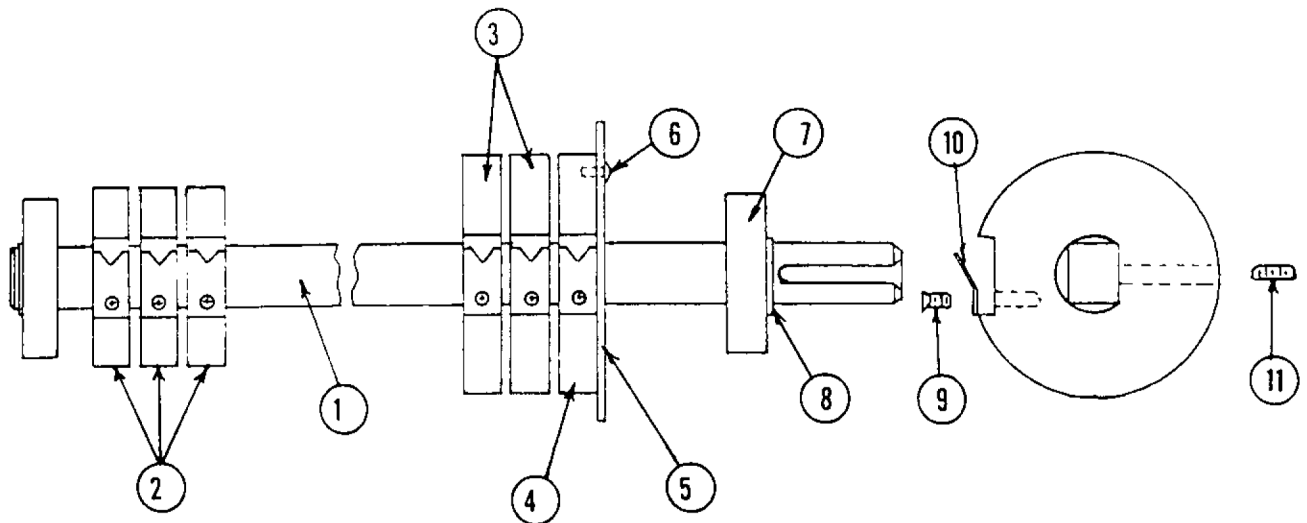


FIGURE 10.14.8

| ITEM NO. | PART NUMBER | DESCRIPTION | 6250-1 | 6360-1 |
|----------|-------------|-------------------------------------|--------|--------|
| 1 | 1152334 | SUPPLY MANDREL, 25" | 2 | |
| | 1152333 | SUPPLY MANDREL, 36" | | 2 |
| 2 | 1152661 | CORE ADAPTOR, 2-1/4" | 6 | 6 |
| 3 | 1152658 | CORE ADAPTOR, 3" | 4 | 4 |
| 4 | 1152659 | CORE ADAPTOR, END | 2 | 2 |
| 5 | 1152660 | PLATE, CORE ADAPTOR | 2 | 2 |
| 6 | 1911116 | SCREW, #6-32 X 3/8" | 6 | 6 |
| 7 | 1140515 | BEARING | 4 | 4 |
| 8 | 1930521 | RETAINING RING. | 4 | 4 |
| 9 | 1902803 | SCREW, #6-32 X 1/4" | 12 | 12 |
| 10 | 1152656 | CLIP, CORE ADAPTOR. | 12 | 12 |
| 11 | 1900063 | SET SCREW, #1/4-20 X 1/2" | 12 | 12 |