



620FD PARTS LIST



GBC IS AN ACCO BRANDS COMPANY

8.0 PARTS LIST - MP2000 ELECTRIC PUNCH

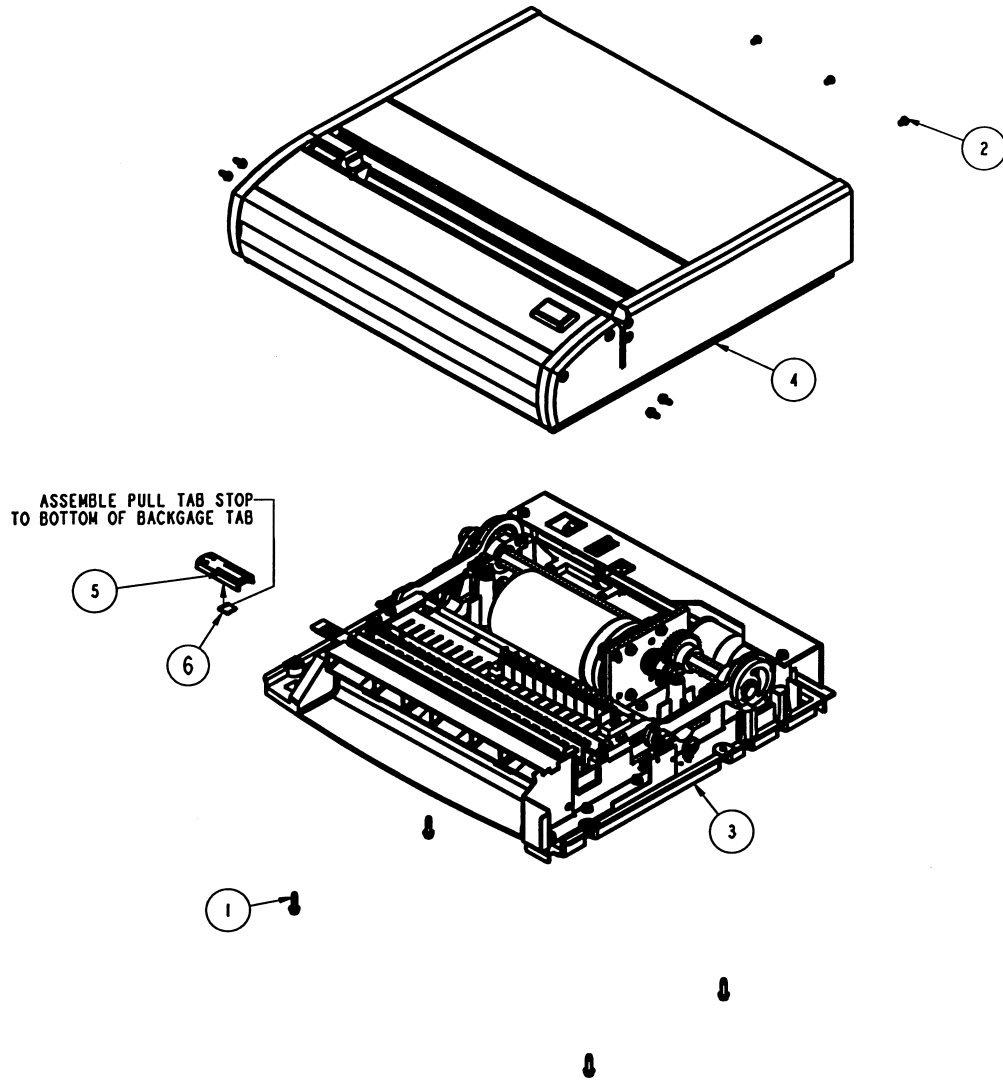


Figure 8-1 - MP2000 Parts – Final Assembly View

8.0 PARTS LIST - MP2000 ELECTRIC PUNCH

8.1 Final Assembly Parts Listing

Index	Part Number	Description	Qty
1	1911001	SCREW, 10-32 x $\frac{3}{4}$ MACHINE CREST CUP SEMS	4
2	1911109	SCREW, PAN HEAD SEMS #6-32 x $\frac{1}{4}$	3
3	See Fig. 8.3	MAIN ASSEMBLY MP2000	1
4	See Fig. 8.2	HOUSING ASSEMBLY MP2000	1
5	7706108	PULL TAB, BACKGAGE, <i>PB ONLY</i>	1
6	7706109	STOP. BACKGAGE TAB, <i>PB ONLY</i>	1

8.0 PARTS LIST - MP2000 ELECTRIC PUNCH

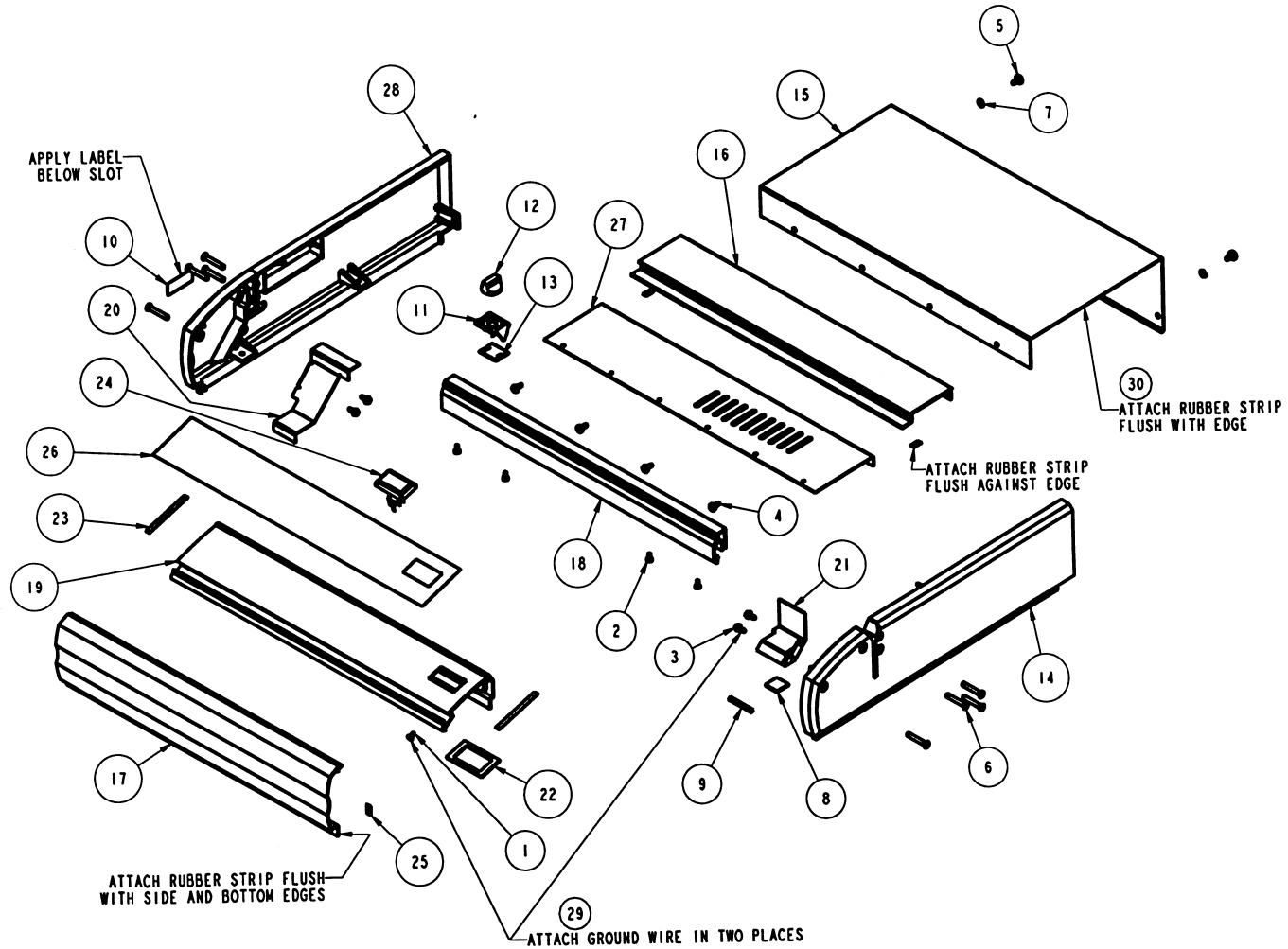
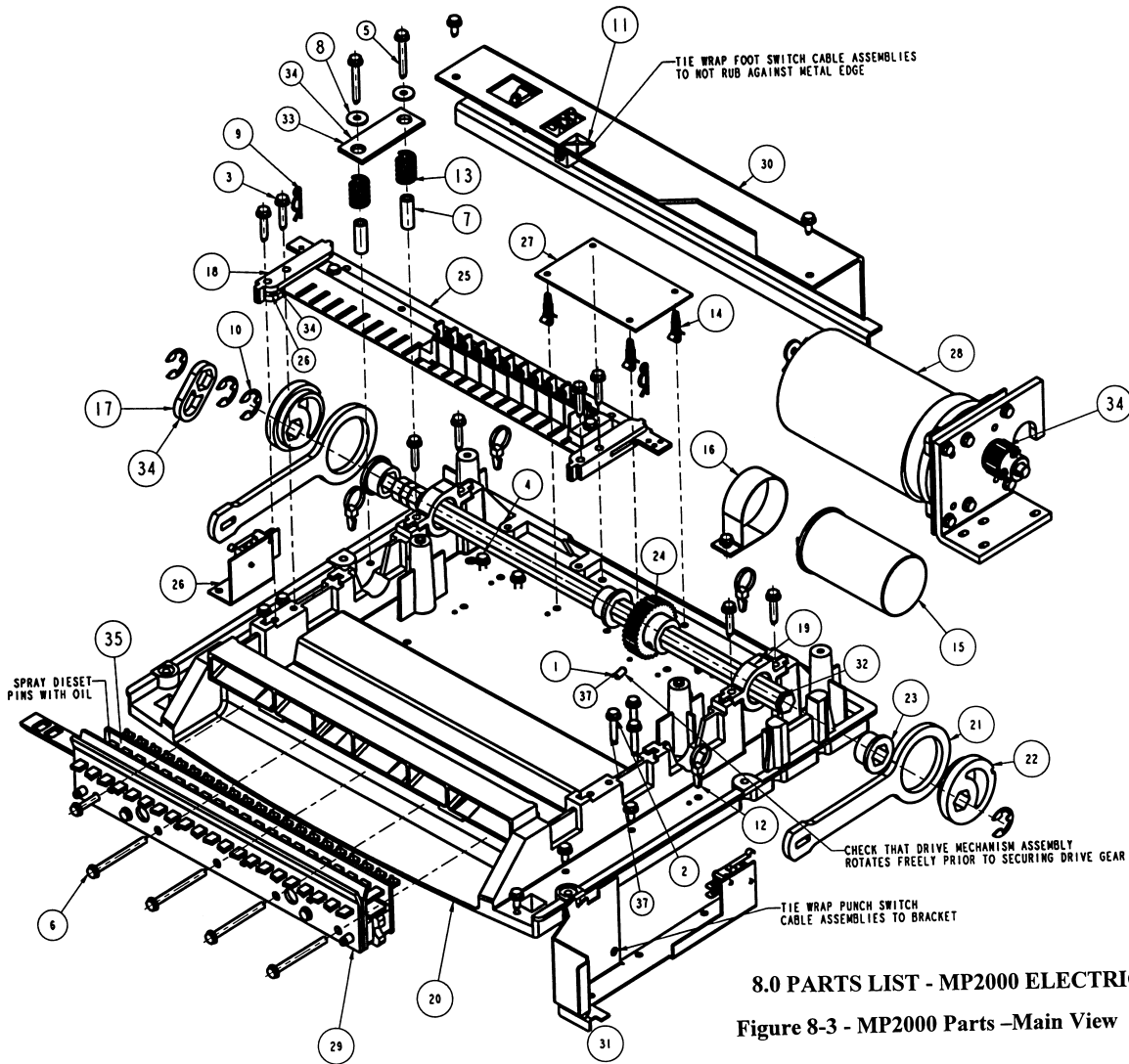


Figure 8-2 - MP2000 Parts - Housing Assembly View

8.0 PARTS LIST - MP2000 ELECTRIC PUNCH

8.2 Parts Listing, Housing Assembly

Index	Part Number	Description	Qty
1	1901202	SCREW, 6-18 x 1/4" PHILL PAN HD THD ROLLG	1
2	1901204	SCREW, 6-18 x 5/16" PHILL PAN HD THD ROLLG	4
3	1907201	SCREW, 8-32 x 3/8 SLOTTED HEX WASHER HD TAPG	4
4	1907321	SCREW, 8-32 x 3/8 SL TD HEX EXT L/W SEMS	4
5	1907809	SCREW, 10-32 x 3/8 PHIL PAN HD TC TYPE 23	2
6	1908802	SCREW, 10-32 x 1.25 SHCS SELF TAP	8
7	1925803	WASHER, #10 STEEL INTERNAL LOCK	2
8	1931049	ADHESIVE CLAMP, WIRE TIE	1
9	1964001	GROMMET	1
10	7703677	LABEL, BACKGAGE (ONLY USED ON PB VERSION)	1
11	7704339	EDGE GUIDE	1
12	7704340	KNOB, EDGE GUIDE	1
13	7704348	PLATE, EDGE GUIDE	1
14	7706008	END CAP, RIGHT MP2000	1
15	7706009	HOUSING, MP2000	1
16	7706014	COVER, PULL PIN	1
17	7706015	COVER, CHIP TRAY	1
18	7706016	THROAT, BACK	1
19	7706017	THROAT, FRONT	1
20	7706018	SHIELD, FRONT LEFT	1
21	7706019	SHIELD, THROAT	1
22	7706036	SWITCH SPACER, MP2000	1
23	7706037	LABEL, EXTRUSION, MP2000	2
24	7706038	SWITCH, MP2000 115V	1
24	7706035	SWITCH, MP2000 230V	1
25	7706067	RUBBER STRIP, DOOR	4
26	7706105	LABEL, LOGO, MP2000-PB	1
26	7706005	LABEL, LOGO, MP2000-C4	1
26	7706054	LABEL, LOGO, MP2000-W3 DOMESTIC	1
26	7706055	LABEL, LOGO, MP2000-W3 INTERNATIONAL	1
27	7706106	SHIELD, PULL PIN – MP2000-PB	1
27	7706006	SHIELD, PULL PIN – MP2000-C4	1
27	7706056	SHIELD, PULL PIN – MP2000-W3	1
28	7706107	END CAP, LEFT MP2000 PB	1
28	7706007	END CAP, LEFT MP2000 C4, W3	1
29	7706048	CABLE ASSEMBLY	1
30	7706068	RUBBER STRIP, HSG.	2



8.0 PARTS LIST - MP2000 ELECTRIC PUNCH

Figure 8-3 - MP2000 Parts -Main View

8.0 PARTS LIST - MP2000 ELECTRIC PUNCH

8.3 Parts Listing, Main View

Index	Part Number	Description	Qty
1	1900026	SCREW, 10-32 x 3/8 SOC HEX SET	1
2	1907102	SCREW, 10-32 x 11/16HX WSH HD TAP	4
3	1907103	SCREW, 10-32 x 11/16HX WSH HD TAP	8
4	1907105	SCREW, 10-32 x 11/16HX WSH HD TAP	10
5	1907107	SCREW, 10-32 x 11/16HX WSH HD TAP	2
6	1907411	SCREW, 10-32 x 11/16HX WSH HD TAP	5
7	1924811	SPACER	2
8	1925044	WASHER, FLAT, METAL	2
9	1930251	CLIP, HAIRPIN	2
10	1930554	RETAINING RING	4
11	1931049	ADHESIVE CLAMP, WIRE TIE	1
12	1932123	WIRE TIE	4
13	1935210	SPRING COMP .600 OD x .88 LG	2
14	1951003	PCB SUPPORT	4
15	6205043	CAPACITOR, MOTOR (for 230V model)	1
15	6205040	CAPACITOR, MOTOR 40mf (for 115V model)	1
16	6205042	CAPACITOR BRACKET, 50mm (for 115V model)	1
17	7301217	CAM, RELEASE	1
18	7703540	SLIDE	2
19	7703541	BEARING CAP	2
20	-REF-	BASE, PUNCH	1
21	7703544	CONNECTING LINK	2
22	7703547	ECCENTRIC	2
23	7703548	BEARING	3
24	7703631	DRIVE GEAR 35T	1
25	See Fig. 8.8	PRESSURE BAR	1
26	See Fig 8.6	REVERSE BRACKET ASSEMBLY	1
27	7703667	PCB ASSEMBLY 115V	1
27	7703674	PCB ASSEMBLY 230V	1
28	See Fig. 8.4	MOTOR ASSEMBLY	1
29	7703684	DIE SET ASSEMBLY PB	1
29	7703762	DIE SET ASSEMBLY, C4 DOMESTIC	1
29	7703763	DIE SET ASSEMBLY, C4 INTERNATIONAL	1
29	7703873	DIE SET ASSEMBLY, W3 DOMESTIC	1
29	7703773	DIE SET ASSEMBLY, W3 INTERNATIONAL	1
30	See Fig. 8.7	REAR BRACKET ASSEMBLY	1
31	See Fig. 8.5	HOME SWITCH BRACKET ASSEMBLY	1
32	7706057	SHAFT, DRIVE	1
33	7706065	BRACKET, STOP	1
34	1961503	LUBRIPLATE NO. 130-AA	.001
35	1961502	SPRAY LUBRICANT	.001
36	7706025	WIRE KIT	1
37	1960512	LOCTITE	.01
38	7706049	CABLE ASSEMBLY, PUNCH SWITCH 115V	2

8.0 PARTS LIST - MP2000 ELECTRIC PUNCH

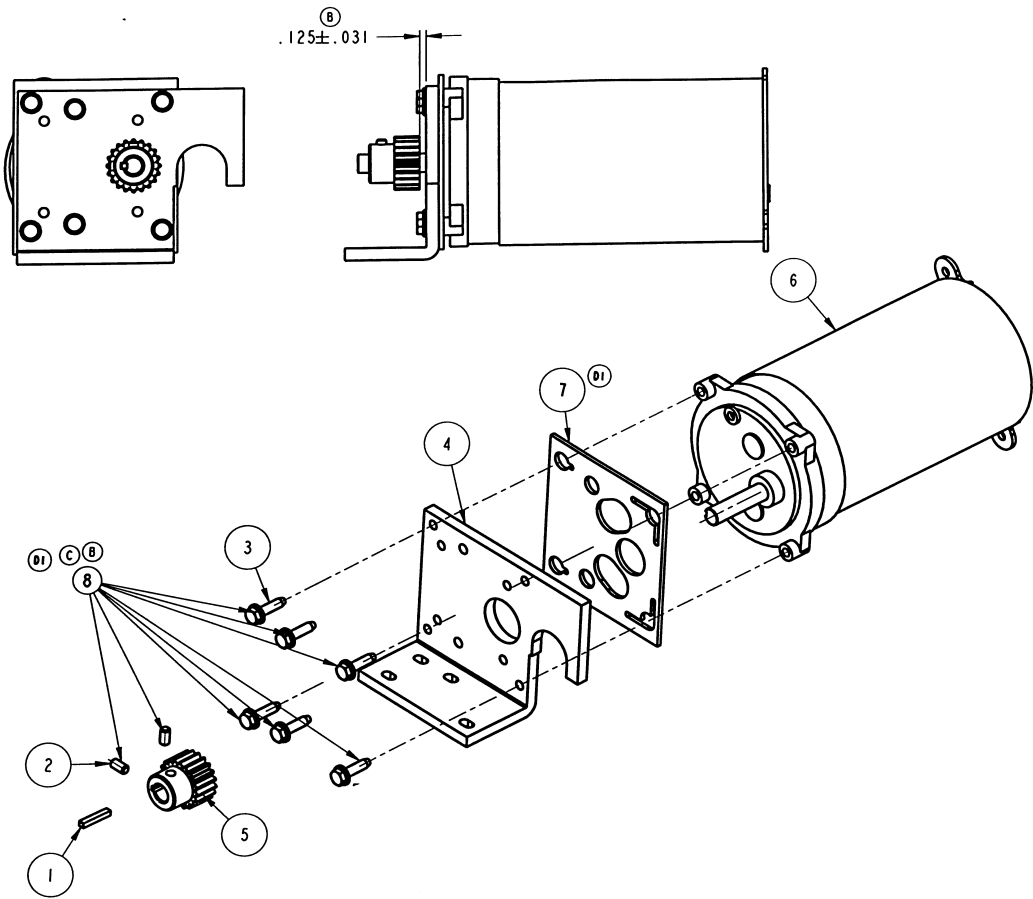


Figure 8-4 - MP2000 Parts – Motor Assembly View

8.0 PARTS LIST - MP2000 ELECTRIC PUNCH

8.4 Parts Listing, Motor Assembly

Index	Part Number	Description	Qty
1	1852815	KEY	1
2	1900026	SCREW, 10-32 x 3/8 SOC HEX SET	2
3	1907404	SCREW, 10-32 x 3/4 IND HEX SLOT FL HD	6
4	7703682	BRACKET, MOTOR	1
5	7703699	PINION GEAR 20 T	1
6	7706058	MOTOR, 115V, MP2000	1
6	7706059	MOTOR, 230V, MP2000	1
7	7706066	ADAPTER PLATE	1
8	1960509	LOCTITE 243	.01

8.0 PARTS LIST - MP2000 ELECTRIC PUNCH

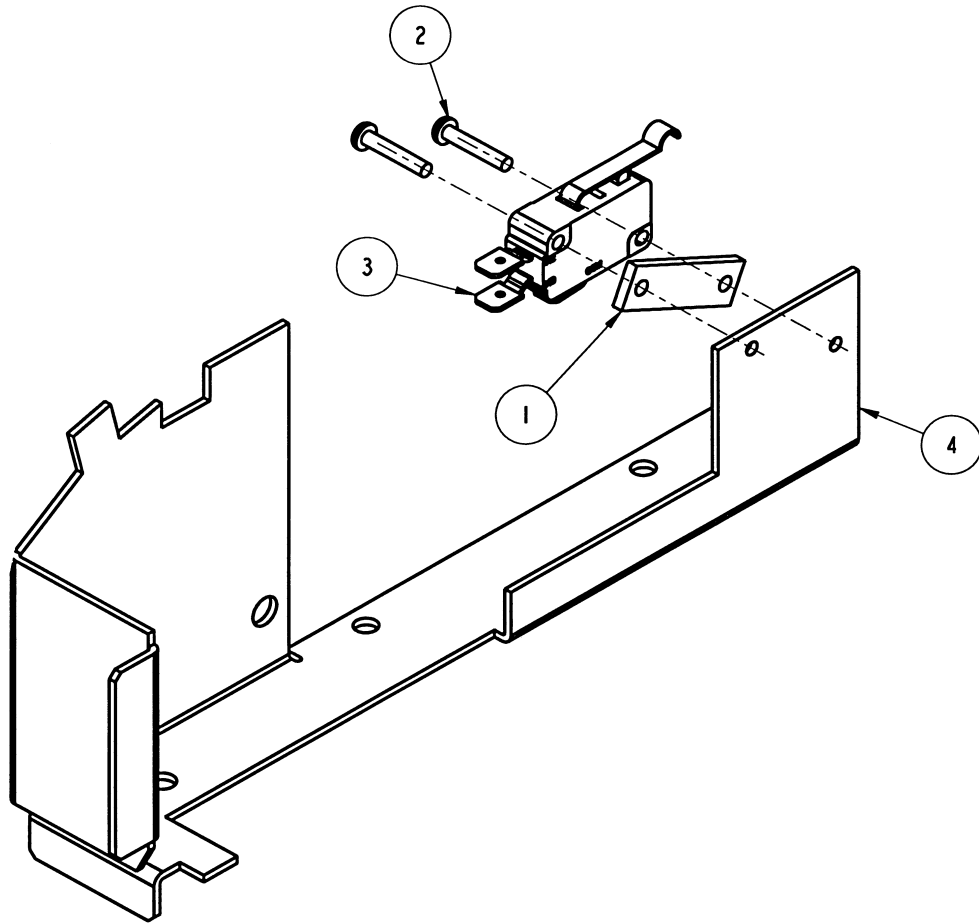


Figure 8-5 - MP2000 Parts – Home Switch Bracket View

8.0 PARTS LIST - MP2000 ELECTRIC PUNCH

8.5 Parts Listing, Home Switch Bracket Assembly

Index	Part Number	Description	Qty
1	1118972	RELEASE SWITCH SPACER	1
2	1902834	SCREW, 4-40 x 5/8 SOC PAN HD	2
3	7703640	MICRO SWITCH	1
4	7706024	BRACKET, HOME SWITCH	1

8.0 PARTS LIST - MP2000 ELECTRIC PUNCH

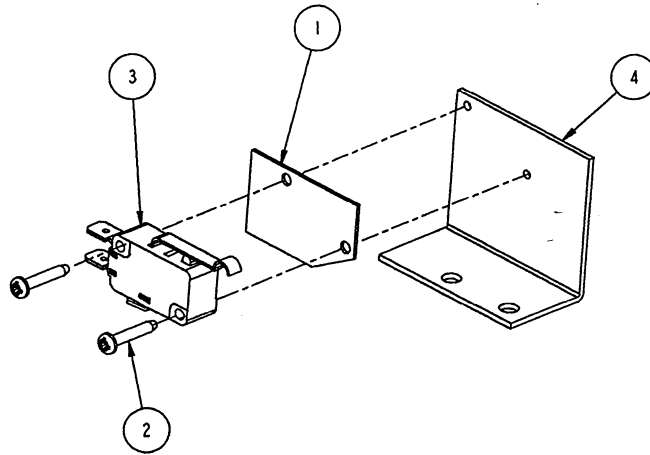


Figure 8-6 - MP2000 Parts – Reverse Switch Bracket View

8.0 PARTS LIST - MP2000 ELECTRIC PUNCH

8.6 Parts Listing, Reverse Switch Bracket Assembly

Index	Part Number	Description	Qty
1	1122005	INSULATOR, SNAPSWITCH	1
2	1907826	SCREW, 4-40 x 5/8 PAN HD TAP	2
3	7703640	MICRO SWITCH	1
4	7703642	BRACKET, REVERSE SWITCH	1

8.0 PARTS LIST - MP2000 ELECTRIC PUNCH

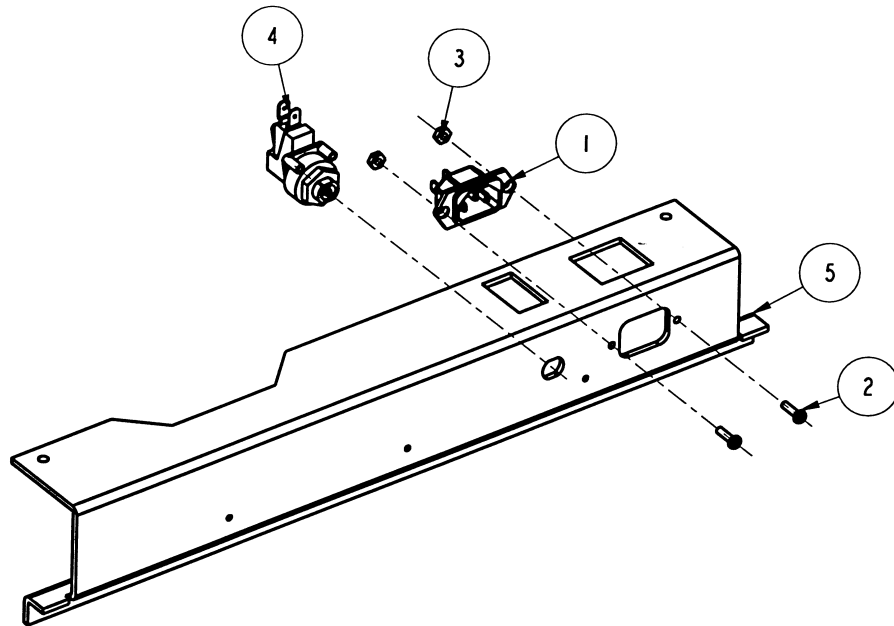


Figure 8-7 - MP2000 Parts – Rear Bracket Assembly View

8.0 PARTS LIST - MP2000 ELECTRIC PUNCH

8.7 Parts Listing, Rear Bracket Assembly

Index	Part Number	Description	Qty
1	1132289	POWER INLET, 115V	1
1	6195001	POWER INLET, 230V	1
2	1911121	SCREW, 6-32 x 1/2 SEMS PAN HD	2
3	1926801	HEX NUT W/WASHER 6-32	2
4	6202046	SWITCH, PNEUMATIC	1
5	7706023	BRACKET, REAR	1

8.0 PARTS LIST - MP2000 ELECTRIC PUNCH

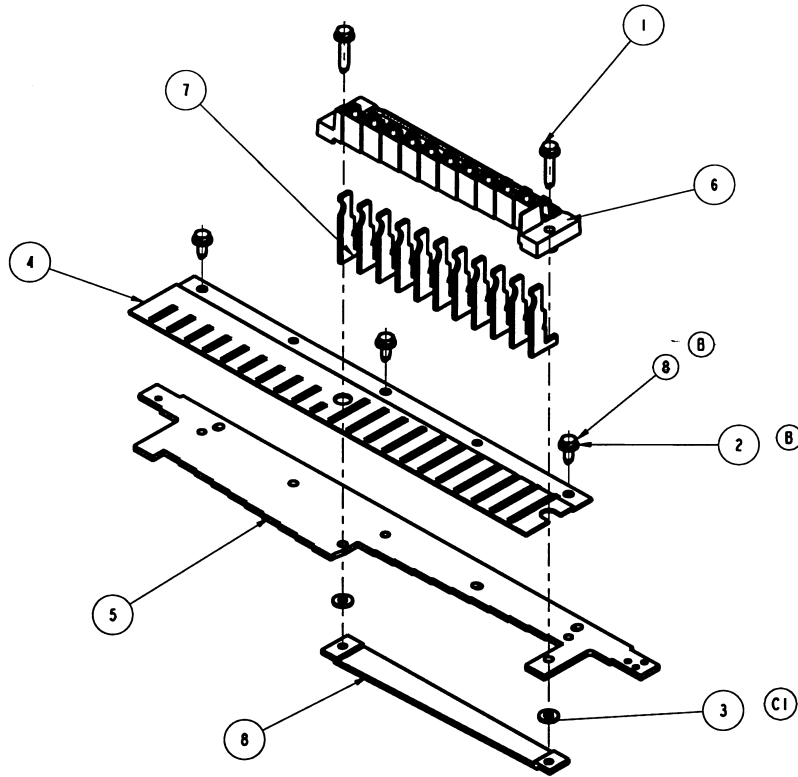


Figure 8-8 - MP2000 Parts – Pressure Bar Assembly View

8.0 PARTS LIST - MP2000 ELECTRIC PUNCH

8.8 Parts Listing, Pressure Bar Assembly

Index	Part Number	Description	Qty
1	1907103	SCREW, 10-32 x 1 SEMS HX WSH HD TAP	2
2	1907105	SCREW, 10-32 x 1/2 SEMS HX WSH HD TAP	3
3	1925004	WASHER, 3/16 ID X .049 W	2
4	7703549	STRIPPER, PB	1
4	7703849	STRIPPER, W3	1
4	7703759	STRIPPER, C4	1
5	7703687	PRESSURE BAR, PB	1
5	7703938	PRESSURE BAR, W3	1
5	7703758	PRESSURE BAR, C4	1
6	7703688	GUIDE, PULL PIN, PB	1
6	7703939	GUIDE, PULL PIN, W3, C4	1
7	7703689	SELECTOR PIN, PB	11
7	7703689	SELECTOR PIN, W3	17
7	7703689	SELECTOR PIN, C4	2
8	7703690	STOP PLATE	1
8	1960512	LOCTITE (one drop on stop plate threads)	.01

8.0 PARTS LIST - MP2000 ELECTRIC PUNCH

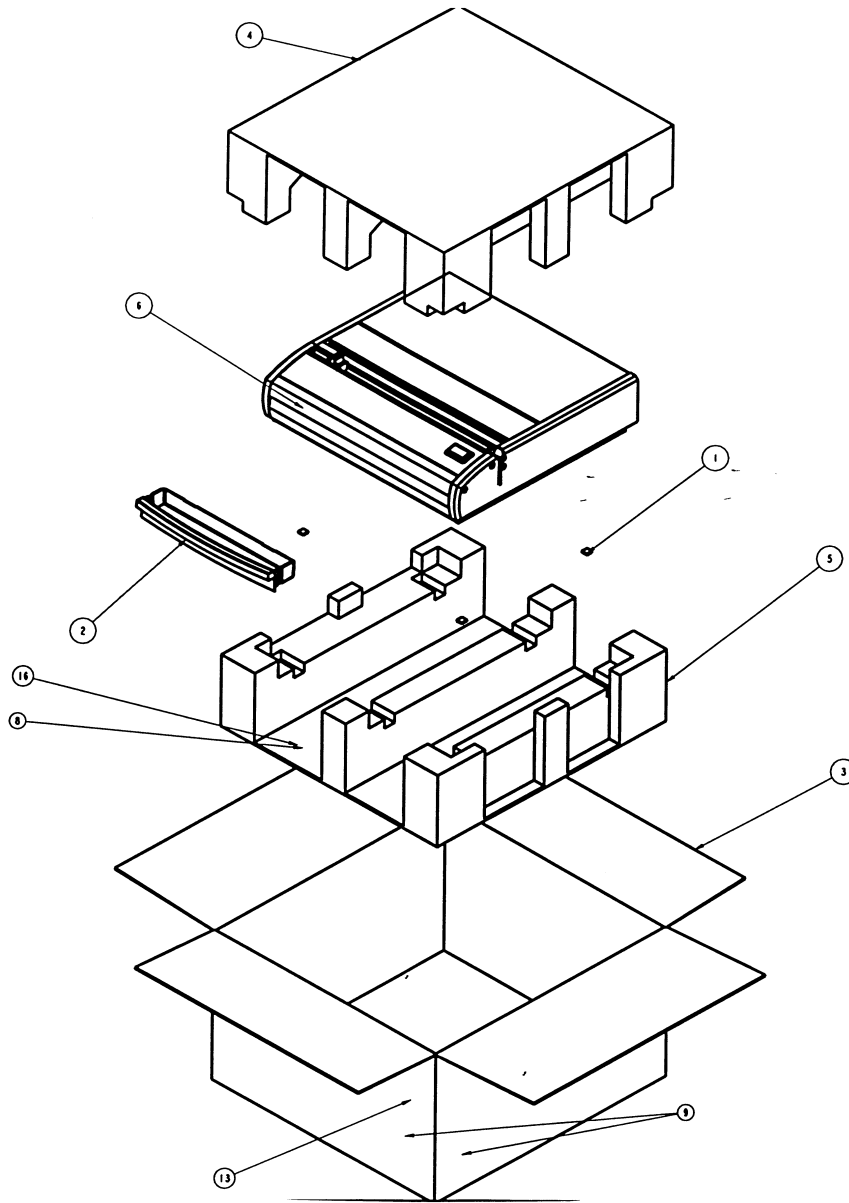


Figure 8-9 - MP2000 Parts – Packaging Materials View

.8.0 PARTS LIST - MP2000 ELECTRIC PUNCH

8.9 Parts Listing, Packaging Materials – MP2000

Index	Part Number	Description	Qty
1	7703552	RUBBER FOOT	4
2	7703570	CHIP TRAY	1
3	7706043	CARTON	1
4	7706044	FOAM TOP	1
5	7706045	FOAM BOTTOM	1
6	-REF-	FINAL MACHINE ASSEMBLY MP2000	1
7	1107516	PLASTIC BAG (POWER CORD & FOOT PEDAL	1
8	6200001	CORD SET – 115 VAC NORTH AMERICA	1
8	6200002	CORD SET – 230V EUROPE	1
8	6200014	CORD SET – 230V UNITED KINGDOM	1
8	6200016	CORD SET – 240V AUSTRALIA	1
8	6200017	CORD SET – 100V JAPAN	1
9	1155000	MASTER LISTING	1
10	1155022	WARRANTY CARDS	1
11	6009078	CSA NRTL T/C LABEL	1
12	6009146	LABEL SHOCK DOM	1
13	6009242	NRTL/C SHIPPING LABEL	1
14	1963141	TAPE, 2” SHIPPING	5
15	7706047	OPERATING INSTRUCTIONS	1
16	6190011	FOOT PEDAL	1
17	9781888	PLASTIC BAG	1