



# 56FM PARTS LIST



GBC IS AN ACCO BRANDS COMPANY

# 56FM Parts List ( Exploded views)

Product Code: LM10003

56" Floor Model Laminator (130400143) 220V60

Old P/N	P/N	Items	Specification	Required Q'ty	REC SPARES
601230712	630200016	COLD OUTER TENSION DISK	FE2.0T*3.0T F62*F12*8	1	
601230540	630600006	1670RS HEATER SUPPORT(UP)	SPC2.0T*44*52.5	2	
601230546	630600012	1670RS PCB SUPPORT	FE2.0T*380*58.5*110.4	3	
601250178	630600100	EXCELAM II TABLE LEVER	SPC 3T*140*70(PL)	1	
601250179	630600101	EXCELAM II TABLE LEVER BRACKET	SPC 2.0T*49*19(PL)	2	
601220579	630600118	EXCELAM-1670RS SEPARATOR LOCKER(L)	SPC3.0T 25.5*18 (Cr)	1	
601220580	630600119	EXCELAM-1670RS SEPARATOR LOCKER(R)	SPC3.0T 25.5*18 (Cr)	1	
601220581	630600120	EXCELAM-1670RS SEPARATOR BAR BRACKET(L)	SPC5.0T 46.5*64 (Cr)	1	
601220582	630600121	EXCELAM-1670RS SEPARATOR BAR BRACKET(R)	SPC5.0T 46.5*64 (Cr)	1	
601230702	630600157	EAGLE INSIDE TENSION DISC	FE 2.0T*f44	1	10
601230708	630600159	EAGLE TENSION BLOCK STOPPER	FE 3.0T*65*35	3	
601230834	630600186	EAGLE SPRING CAP	FE 1.0T*f26*4	1	
601310508	630600400	MICRO S/W BRACKET	FE 1.5T 38.5*46	2	
601211161	630800076	TENSION WHEEL CAP	FE2.0T*F62*F15	1	
601230711	630800108	SURELAM OUTER TENSION DISC	FE 3.0*62*28*19	3	2
601410805	631100223	S/M TENSION PLATE(L)	SPC 3.0T 290.5*151*23 (PL)	1	
601410806	631100224	S/M TENSION PLATE(R)	SPC 3.0T 290.5*151*23 (PL)	1	
601410807	631100225	S/M HEAT ROLLER HOOK(L)	SPC 3.0T 128*77.5*41 (PL)	1	
601410808	631100226	S/M HEAT ROLLER HOOK(R)	SPC 3.0T 128*77.5*41 (PL)	1	
601410809	631100227	S/M PULL ROLLER HOOK	SPC 4.0T 80*59.5*23 (PL)	2	
601410813	631100231	S/M IDLE HANDLE SUPPORT	SPC 3.0T 77.5*50.5 (PL)	1	
601410815	631100233	S/M MICRO SWITCH BRACKET(L)	SPC 2.0T 64.7*72*9.5	1	
601410816	631100234	S/M MICRO SWITCH BRACKET(R)	SPC 2.0T 64.7*72*9.5	1	
601410819	631100237	S/M MICRO SWITCH PRESSER(L)	SPC 2.5T+10.0T 47.5*34	1	
601410820	631100238	S/M MICRO SWITCH PRESSER(R)	SPC 2.5T+10.0T 47.5*34	1	
601410821	631100239	S/M SAFETY COVER BLOCK(L)	SPC 10.0T 17.5*53.0*63.5 (PL)	1	
601410822	631100240	S/M SAFETY COVER BLOCK(R)	SPC 10.0T 17.5*53.0 (PL)	1	
601410831	631100249	S/M SAFETY COVER LEVER	SPC 3.0T 85*33	1	
	631100265	56FM SAFETY COVER	PC 3.0T 1500*53*18	1	informed you later
	631100266	56FM SENSOR BAR	SPCR2.3T 1509*20*40(BK-451)	1	informed you later
	631100267	56FM STAND CONNECTOR	SPRS2.3T 100*50*1266.0(BK-451)	2	
	631100268	56FM BOTTOM PLATE	SPC3.0T 1526*327(BK-451)	1	informed you later
	631100269	56FM FILM GUIDE	SPC 1.05T+1.0T 1509*128(BK-451)	1	informed you later
	631100270	56FM SIDE PLATE(L)	SPC5.0T 610*600(BK-451)	1	informed you later
	631100271	56FM SIDE PLATE(R)	SPC5.0T 610*600(BK-451)	1	informed you later
	631100272	56FM HEAT ROLLER SUPPORT	SPC 3.0T 89*177 (BK-451)	1	informed you later
	631100273	56FM PULL ROLLER SUPPORT	SPC3.0T 80*141.5(BK-451)	1	informed you later
	631100274	56FM HEATER SUPPORT(L)	SPC2.0T 93*82*46(BK-451)	1	informed you later

56" Floor Model Laminator (130400143) 220V60

Old P/N	P/N	Items	Specification	Required Q'ty	REC SPARES
	631100275	56FM HEATER SUPPORT(R)	SPC2.0T 93*82*46(BK-451)	1	informed you later
	631100276	56FM POWER PANEL	SPC1.5T 57*83(BK-451)	1	informed you later
	631100277	56FM COVER PLATE(L)	SPC2.0T 87.2*32.5(BK-451)	1	informed you later
	631100278	56FM COVER PLATE(R)	SPC2.0T 87.2*32.5(BK-451)	1	informed you later
	631100279	56FM STAND ROD(L)	SPRS2.3T 100*50*674*792(BK-451)	1	
	631100280	56FM STAND ROD(R)	SPRS2.3T 100*50*674*792(BK-451)	1	
	631100281	56FM STRETCH BAR RAIL	SPC 10.0T 116.5*25	2	informed you later
	631100282	5FM WIRE COVER	SPC1.5T 110*40*8(BK-451)	1	informed you later
	631100283	56FM EMERGENCY S/W PLATE	FE3.0T*75*59(BK-451)	1	informed you later
	631100284	56FM STRETCH BAR RAIL COVER	SPC2.0T 90*24(BK-451)	1	informed you later
	631800354	56FM H/ROLLER	F80*1485*F39.9*50 (601-45 GRAY)	2	4
	631800355	56FM P/ROLLER	F60.5*1490*F25*1620 (201-45 GRAY)	2	4
613030730	632500456	E/M KEY	5*5*15mm	4	
613030301	632500633	EAGLE FILM SHAFT BUSH(PL	f15.5*f10*11.0	4	
613030541	632500682	GBC4265 SUPPORTS FOR FRONT TABLE(PL	SM45C F10*20	6	
613030633	632500707	1670RS REWINDER GEAR PIN	S45C*F20*F15*20.5	1	
613030637	632500711	1670RS REWINDER CHAIN TAKE UP	MC F28*F8.2*30	2	2
613010113	632500721	SURE ECCENTRIC LEVER(PL	M10*117	1	
613011005	632500803	ROLL ECCENTRIC LEVER CAP (PL)	f20*40	1	
613030565	632500844	SURE FILM TENSION HANDLE(PL	F60*35*F32	1	
613020904	632501052	S/M CAM	S45C F40*16*F15	2	
613020905	632501053	S/M CLUTCH SHAFT	S45C F17*F40*65.0	1	1
613020906	632501054	S/M DOUBLE SPROCKET BOSS	S45C F15*F20*39.5	1	
613020907	632501055	S/M IDLE SHAFT	S45C F15*F12*76.5	1	
613020910	632501057	S/M REWINDER TENSION BLOCK	S45C F15*F35*77.5	1	
613020911	632501058	S/M GUIDE BUSH	S45C F30*F10.1*11	2	
613020912	632501059	S/M BEARING HOUSING	S45C F60*28*11	4	
613020914	632501061	S/M SAFETY COVER LEVER PIN	SM45C F5*34.5	1	
613020917	632501064	S/M REWINDER SPROCKET BOSS	S45C F15*F20*45	1	
613030552	632501317	REWINDER TENSION BOLT(PL)	SM45C f13.5*50.7	1	
613030567	632501318	FILM SHAFT TENSION BOLT(PL	F19*62*F15*	1	
613030597	632501328	TENSION BOLT(PL)	S45C M8 52*F15	2	
	632501472	EX-1670RS P/ROLLER BUSH UPPER	S45C F45*F39.8*F25*25.5*11.4	2	2
	632501473	EX-1670RS P/ROLLER BUSH LOWER	S45C F45*F39.8*F25*25.5*16.4	2	2
	632501474	EX-1670RS H/ROLLER BUSH UPPER	S45C F60*F54.8*F40*26*11.2	2	2
	632501475	EX-1670RS H/ROLLER BUSH LOWER	S45C F60*F54.8*F40*26*16.2	2	2
	632501570	SURELAMPRO CLUTCH TENSION BLOCK	S45C F15*F35*55	1	
	632501711	S/M TENSION BLOCK(PL)	S45C F25*F15*80	2	

56" Floor Model Laminator (130400143) 220V60

Old P/N	P/N	Items	Specification	Required Q'ty	REC SPARES
	632501769	56FM CAM SHAFT	S45C F15*1580	1	informed you later
	632501770	56FM IDLE ROLLER (PL)	S45C F30*1524	2	informed you later
	632501771	56FM TIE BAR (PL)	S45C F10*1510	1	informed you later
	632501772	56FM HEX FILM SHAFT (PL)	S45C HEX19*1500	3	
	632501773	56FM STRETCH BAR (PL)	STKM 1489*F42.5*7T*1457	1	informed you later
	633000199	56FM SIDE COVER(L)	ABS3.2T 616.9*373.8(450-76274)	1	2
	633000200	56FM SIDE COVER(R)	ABS3.2T 616.9*373.8(450-76274)	1	2
	633000201	56FM REWINDER COVER(L)	ABS 3.2T 268*265*80(450-76274)	1	2
	633000202	56FM REWINDER COVER(R)	ABS 3.2T 268*265*80(450-76274)	1	2
604022109	633200036	EXCELAM II TABLE LEVER GUIDE	PC 49*19*8.7(920-70625)	2	
	633200225	56FM TENSION HANDLE	ABS F75*F15*30 (450-76274)	4	
	633200226	56FM CONTROL PANEL	ABS 142*64*8.0T(450-76274)	1	2
703021051	633300118	ECCENTRIC LEVER HANDLE(ROLL)	BACKLIGHT f8.0*85	1	
	633600684	56FM SEPARATOR BAR	AL6063 2.5T*25*55*1430	1	
	633600685	56FM SEPARATOR PLATE	AL6063 2.0T*1428	1	informed you later
	633600686	56FM FRONT TABLE	AL 1508*300*27 (GY-124)	1	1
	633600687	56FM FRONT COVER	AL2.0T 1510*32.3*161.6 (BK-451)	1	informed you later
	633600688	56FM BACK COVER(LOW)	AL 3.0T 1508*27.1*115 (BK-451)	1	informed you later
	633600689	56FM BACK COVER(UP)	AL 1509*91.5*90.7 (BK-451)	1	informed you later
	633600690	56FM FAN COVER	AL 1510*35*83 (BK-451)	1	informed you later
	633600691	56FM BLADE RAIL	AL 1510*35.1*38 (BK-451)	1	1
	633600692	56FM SAFETY COVER CAP	AL3.0T 21*11.5*1498 (GY-124)	2	informed you later
701130508	634100008	CASTER(URETHAN)	4" FREE(TP5040-23.CR-PLY.TG)	2	2
701130509	634100009	CASTER(URETHAN)	4" BREAK(TP5040-23.CR-PLY.TLB)	2	2
703070365	634100015	U-HANDLES(MERCURY)	AL 110*30(UN110)	2	
703070101	634100126	F45 CLUTCH SKIN PAD(F12)	SKIN 2.0T*F12*F45	1	4
703070106	634100130	F36 CLUTCH PAD	NON ASBESTOS 3.0T*F17*F36	1	4
703070112	634100136	HR2 INSIDE TENSION DISK	3.0T*F56	3	4
703070113	634100137	"U" STOPPER	BS F36*15.5	4	
703070114	634100138	F55 CLUTCH SKIN PAD	SKIN 2.0T*F15*F55	7	4
703040211	634400001	TEFLON BUSH	f40*f14*f5.2*8	4	
609070104	634700004	CROSS FAN MOTOR	PCF-6230GMP9-2(230/50)C.C.W	3	1
6090205	635000005	DC GEARED MOTOR(DM012)	DC 35V 100W	1	1
610011903	635300085	TRANSFORMER GM7660EX-234	GM7660EX-234	1	2
701010103	635400003	BALL BEARING	6803	2	
701010141	635400028	BALL BEARING	# 6902	4	
701010153	635400032	BALL BEARING	#6001ZZ	2	
701020203	635400045	THRUST NIDDLE ROLL BEARING	AXK1730	2	

56" Floor Model Laminator (130400143) 220V60

Old P/N	P/N	Items	Specification	Required Q'ty	REC SPARES
701020205	635400047	THRUST NIDDLE ROLL BEARING ASS'Y	AXK1226+AS	2	
701020222	635400064	DRAWN CUP NIDDLE BEARING	HK4012	2	
701050243	635500036	DU BUSHING FLANGE	15x10	2	
701050245	635500038	DU BUSHING FLANGE	15x15	1	
701050247	635500040	DU BUSHING FLANGE	15x20	1	
701050259	635500052	DU BUSHING FLANGE	25*20	4	
701050276	635500067	DU BUSHING FLANGE	40x20	4	
701050293	635500076	DU BUSHING FLANGE	12*6	2	
701050181	635500147	DU BUSHING TUBE	12*04	1	
701050183	635500149	DU BUSHING TUBE	15*04	5	
701070124	635700013	ROLLER CHAIN	RS25H(24PCS)	1	1
701070141	635700030	ROLLER CHAIN	RS25H(41PCS)	1	1
	635700138	ROLLER CHAIN RS35H	RS35H(22PCS)	1	1
	635700139	ROLLER CHAIN RS35H	RS35H(22.5PCS)	1	1
	635700145	ROLLER CHAIN RS35H	RS35H(33.5PCS) S/M-1650	1	1
701080750	635800074	STEEL CHAIN GEAR(RS#25)	20T*F15/SureMaster idle	2	
701080527	635800095	EXCELAM-1670RS H/ROLLER SPROCKET(RS#35)	27T*F40(6*6KEY/2003.10.16)	1	
701080563	635800125	STEEL CHAIN GEAR(RS#35)	16T*F18*F26*8/SureMaster-clutch	2	
701080564	635800126	STEEL CHAIN GEAR(RS#35)	20T*F25/SureMaster-pull	1	
701080490	635800160	STEEL CHAIN+CHAIN GEAR(RS#35/25)	16T*23T*F17*26.5/SureMaster-rewinder	1	
701080118	635800180	STEEL SPUR GEAR	15T*F10/1400COLD	1	
701080125	635800187	STEEL SPUR GEAR	49T*f12/DC,SS	1	
701080310	635800272	STEEL SPUR+CHAIN GEAR	49T*21T*F17(25H)/1670RS	1	
701080315	635800277	STEEL SPUR+CHAIN GEAR(RS35H)	30T*15T*F17(35H)/TITAN/1100RS	1	
704140406	636400024	CORD STOPPER	PG11	2	
704140411	636400026	CORD STOPPER	PG16	1	
704031124	636600086	CORD PLUG INLET 250V(USA)	3P 2.0/20A AWG12 SVT/TITAN	1	
704130116	636900056	GLASS TUBE FUSE 20mm	5*20 3.0A 250V	1	10
704130122	636900061	GLASS TUBE FUSE 20mm	5*20 6.3A 250V	1	10
704120101	637000002	FUSE HOLDER	f12.5*20mm250V10A	2	2
704090603	637400022	FOOT SWITCH	HRF-MD1(220V10A)	1	1
704090419	637400032	MICRO SWITCH	DECO VP531A-4D	1	2
704090421	637400034	MICRO SWITCH(SPARTAN)	VP531A-5H	2	2
704090319	637400083	RUBBER KEY S/W	SURELAM (15P)	1	
704090252	637400119	EMERGENCY SWITCH	AR22V22R-01R(ZB2-BS544)400V(1POLL)	2	1
	637400137	MICRO SWITCH	DECO VP531A-3H (F6.5)	1	2
	637400150	POWER SWITCH	MD2-B-24-620-2-A14-2-E	1	
704150107	637800007	BI-METAL THERMOSTAT	120 DEG(PW2N)	2	2

56" Floor Model Laminator (130400143) 220V60

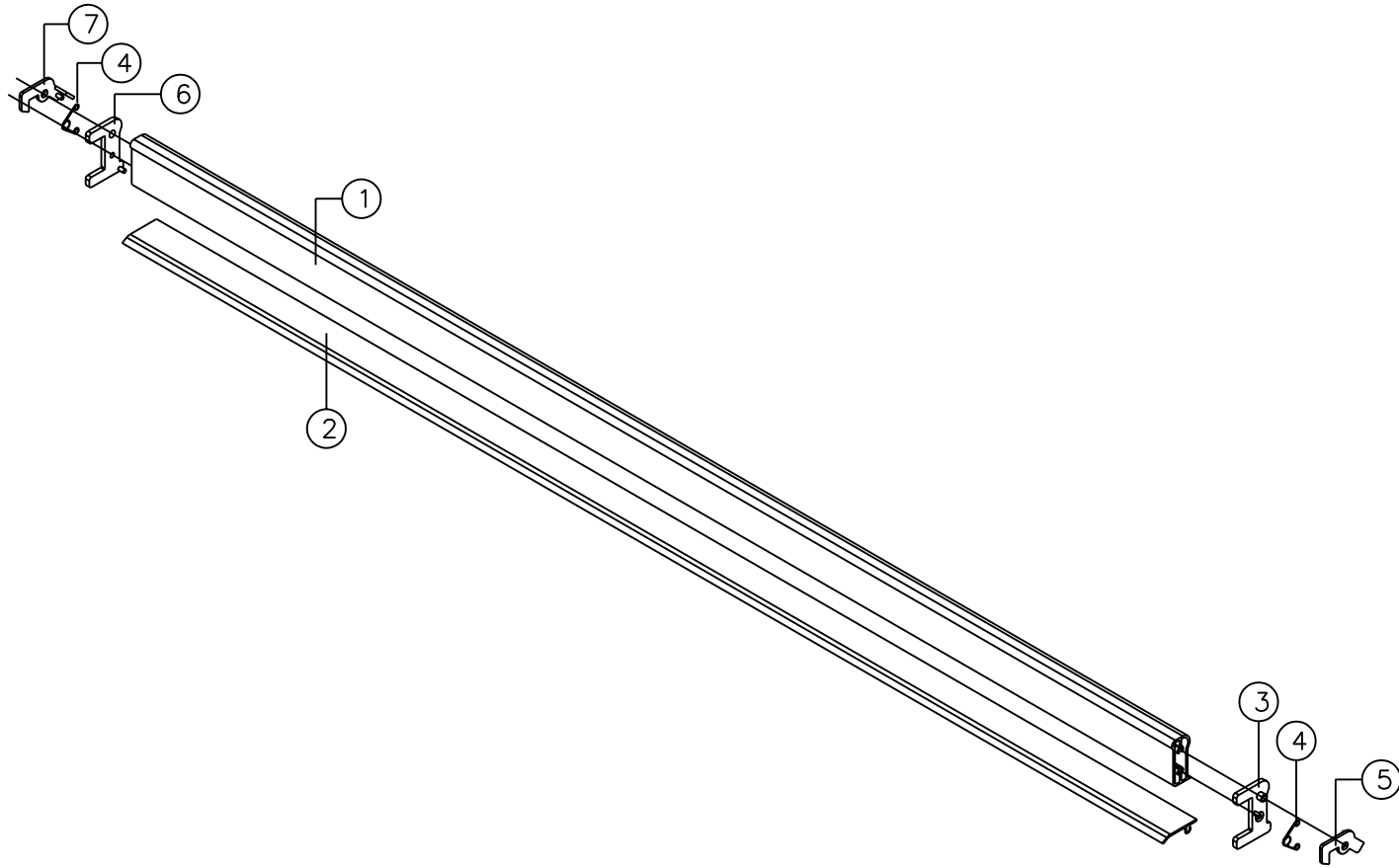
Old P/N	P/N	Items	Specification	Required Q'ty	REC SPARES
704165819	638000055	WIRE ASS'Y E/MASTER-1600	UL1007#20(WHT/WHT)L560 M5557/M5559	1	
704161860	638000134	WIRE ASS'Y EXCELAM1670RS	UL1015#20(RED/BLK)L1070-5557-02	1	
704161862	638000136	WIRE ASS'Y EXCELAM1100/1670RS	UL2464#24(7C)L1100-5264-08	1	
704165503	638000489	WIRE ASS'Y GRAPHIC MASTER 2100	UL2464#24(4C+SHIELD)L750	1	
704165647	638000717	WIRE ASS'Y JAGUAR-700	UL2464#24(4C+SHIELD)L900	1	
704161743	638001472	WIRE ASS'Y/SONIC 65.80.110	UL1015#20(BLU)L60 M5557-02P	2	
704161761	638001490	WIRE ASS'Y/SONIC 65.80.110	UL1007#18 L1550 YELLOW/YELLOW M555	1	
704164608	638001577	WIRE ASS'Y SURELAMPRO-500	UL1007#18(BRN/BLU)L300-M5557-M5559	1	
704166101	638001631	WIRE ASS'Y SUREMASTER	UL2464#22 L1000 2COLOR+SHIELD M5267	1	
704166102	638001632	WIRE ASS'Y SUREMASTER	UL2464#22 L2300 2COLOR+SHIELD M5267	1	
704166103	638001633	WIRE ASS'Y SUREMASTER	UL1015#20 L2150 BLUE/BLUE M5557-02P	1	
704166104	638001634	WIRE ASS'Y SUREMASTER	UL3608#16 L950/2300 WHIT/WHIT M3191-0	1	
704166105	638001635	WIRE ASS'Y SUREMASTER	UL3608#16 L1000/2200 WHIT/WHIT M3191-	1	
704166106	638001636	WIRE ASS'Y SUREMASTER	UL3608#14 L100 WHITE 250RECEP	2	
704166107	638001637	WIRE ASS'Y SUREMASTER	UL2464#18 L2650 2COLOR+SHIELD M5557	1	
704166108	638001638	WIRE ASS'Y SUREMASTER	UL1015#14 L750 BLACK 250RECEP	2	
704166109	638001639	WIRE ASS'Y SUREMASTER	UL1015#14 L900 BLACK 250RECEP	1	
704166110	638001640	WIRE ASS'Y SUREMASTER	UL1015#14 L900 SKYBLUE 250RECEP	1	
704166111	638001641	WIRE ASS'Y SUREMASTER	UL1007#20 L1500 BROWN/BLUE M5557-02	1	
704166112	638001642	WIRE ASS'Y SUREMASTER	UL1007#18 L1600 YELLOW/YELLOW M555	1	
704162910	638001916	WIRE ASS'Y/DOLPHIN	UL1015#18(GRN/YEL)L200	1	
	638200405	56FM INFRARED HEATER ASS'Y	22.0 OHM F20*1553 (230V)	2	4
705031302	638400008	FERRITE EMI FILTER	ES1-F15/15A	1	
706011013	638900110	ASS'Y PCB SURELAM DISPLAY	4PK-SURE LDP.Q1	1	2
706011734	638900215	PCB ASS'Y SURE1100.1600/P44.64 MAIN	SM00M REV 1.0	1	2
705200201	639400001	INFRARED SENSOR ASS'Y	TPML1-710	2	2
706111121	639900025	EXCELAM II BACK TRIMMER ASS'Y	PC 920-70625	1	2
701130407	710100016	TOOL L WRENCH	4	1	
	710800139	MANUAL/SUREMASTER-1650 MICRO	297*210*92PAGE	1	
701110123	810100016	CAP NUT	M8	1	
701110203	810100036	PLATE WASHER	f5	1	informed you later
701110311	810100067	SPRING WASHER	f25.5*f16.4*3.5T(FOR STAND)	4	informed you later
	810100095	SPRING WASHER	f16	4	
701107304	810300066	CAP/B HEXAGON SOCKET HEAD M5	M5.0*10CHS	5	
701107307	810300069	CAP/B HEXAGON SOCKET HEAD M5	M5.0*15CHS	1	
701101014	810300220	M/S FLAT HEAD M5.0FH	M5.0*16FH WHT	1	
701104902	810301289	T/S TRUSS HEAD 2CLASS T4.0TH	T4.0*6TH2C WHT	2	
701108111	810301382	M/S ROUND HEAD M4.0RH	M4.0*6RH PLAT WHT/(4mm)	2	

56" Floor Model Laminator (130400143) 220V60

Old P/N	P/N	Items	Specification	Required Q'ty	REC SPARES
701090606	810400024	SPRING E RING	f7.0mm	4	
701090832	810400042	SPRING PIN	2*15	1	
701090716	810400075	SPRING S RING	40	6	
701090720	810400079	SPRING S RING	55	4	
701090116	810400113	ROLLER SPRING	F2.3*26.5*12.6	8	
701090140	810400132	DISCOVERY 80/100S SPRING	4.5T*F26.5*24.5	3	
701090142	810400134	EAGLE FILM PIPE SPRING	3.5T*F26.5*17.5MM	2	
701090169	810400161	LEVER SPRING(EXCELAM II)	0.6T*F4*7.7	2	
701090189	810400180	TORSION SPRING	SWP0.8T F8.5*20*20	1	
804020406	810500067	FILM CORE	F58*1400	1	
8050112	810500081	CORE ADAPTER 57MM	OFFICE-HR	2	
803040343	810700082	EMERGENCY STICKER(SURELAM)	PC0.4T*F54*F28	1	
803040358	810700095	1670RS TENSION KNOB STICKER	PC 0.4T*F44.5(IVORY)	3	
	810700265	56FM NAME STICKER	PC0.3T 75*55	1	
	810700266	56FM FRONT NAME STICKER	PC 0.3T*61*30	1	
	810700272	56FM ROUND COVER STICKER	PC0.3T R25.1*R39.9(SKY BLUE)	1	informed you later
	810700273	56FM AL COVER STICKER	AL0.5T F45.5(SKY BLUE)	1	informed you later
	810700274	ROLLER TENSION STICKER/56FM	PC0.3T*F74*F25	1	2
810700275	CONTROL PAN	PC0.8T 131.5*53.5	1	1	
	810700276	56FM FUSE STICKER	PC0.4T*61.0*30(6.3A/2.0A)	1	

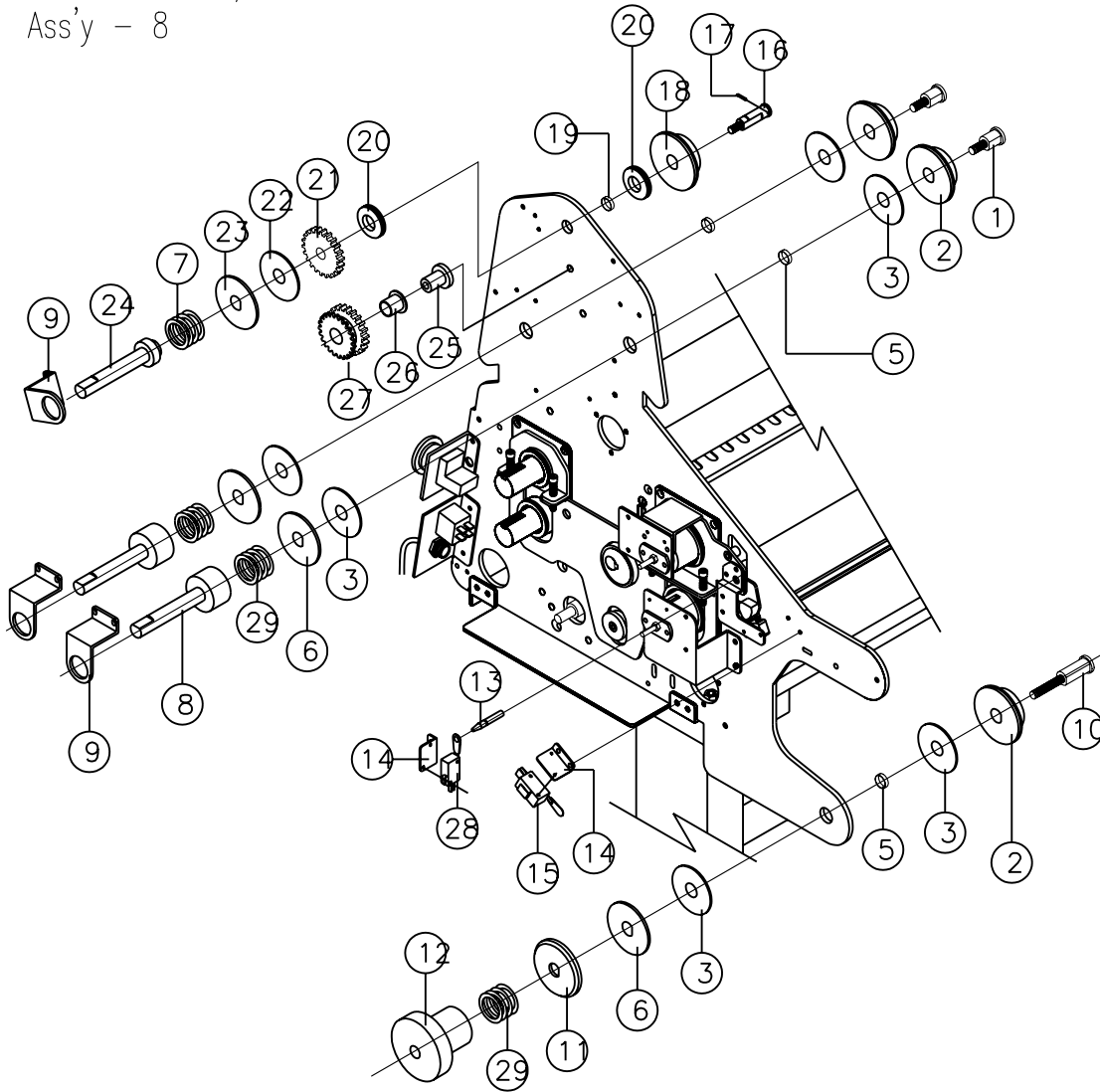
Item No.	Part No.	Part name	Spec	Quantity
1	633600684	56FM SEPARATOR BAR	AL6063 2.5T*25*55*1430	1EA
2	633600685	56FM SEPARATOR PLATE	AL6063 2.0T*1428	1EA
3	630600121	EXCELAM-1670RS SEPARATOR BAR BRACKET(R)	SPC5.0T 46.5*64 (Cr)	1EA
4	810400180	TORSION SPRING	SWP0.8T F8.5*20*20	1EA
5	630600119	EXCELAM-1670RS SEPARATOR LOCKER(R)	SPC3.0T 25.5*18 (Cr)	1EA
6	630600120	EXCELAM-1670RS SEPARATOR BAR BRACKET(L)	SPC5.0T 46.5*64 (Cr)	1EA
7	630600118	EXCELAM-1670RS SEPARATOR LOCKER(L)	SPC3.0T 25.5*18 (Cr)	1EA

Model : 56FM /Rev 1.0  
 Ass'y - 8



Model : 56FM /Rev 1.0

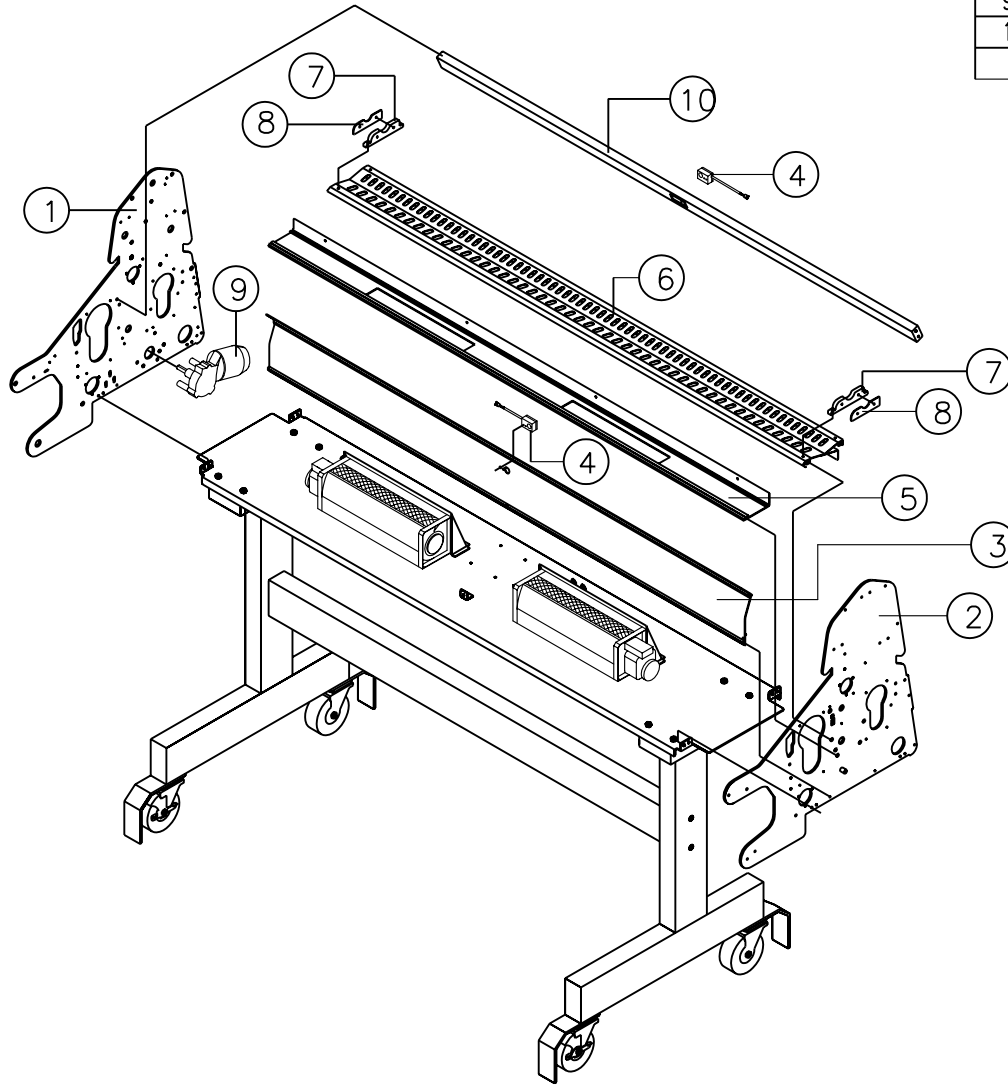
Ass'y - 8



Item No	Part No.	Part name	Spec	Quantity
1	632501328	TENSION BOLT(PL)	S45C M8 52*F15	2EA
2	630800108	SURELAM OUTER TENSION DISK	DISC 3.0*62*28*19	3EA
3	634100226	F55 CLUTCH PAD	NON ASBESTOS 1.8T F55*F15	6EA
4	N/A	N/A	N/A	N/A
5	635500149	DU BUSHING TUBE	15*04	3EA
6	634100136	HR2 INSIDE TENSION DISK	3.0T*F56	3EA
7	810400133	FILM PIPE SPRING	3.5T*F26.*24mm	3EA
8	632501056	56FM FILM TENSION BLOCK	S45C F15*F35*87.5	2EA
9	630600159	EAGLE TENSION BLOCK STOPPER	PEEK 6.0T*65*35	3EA
10	632501318	FILM SHAFT TENSION BOLT	PL 1.9*62*F15*	1EA
11	630800076	TENSION WHEEL CAP	FE2.0T*F62*F15	1EA
12	632500844	SURE FILM TENSION HANDLE	FE 6.0*35*F32	1EA
13	632501061	S/M SAFETY COVER LEVER	S45C F5*34.5	1EA
14	630600400	MICRO S/W???	FE 1.5T 38.5*46	2EA
15	637400025	MICRO SWITCH (EAGLE)	2505V/15A(VP-531A-3H)2	1EA
16	632501775	Q1120C REWINDER ????(PL)	S45C F13.5*50.7	1EA
17	810400042	SPRING PIN	2*15	1EA
18	630200016	COLD ?????	FE2.0T*3.0T F62*F12*8	1EA
19	635500147	DU BUSHING TUBE	12*04	1EA
20	635400047	THRUST MIDDLE ROLL BEARING	ASKW1226+AS	2EA
21	635800187	STEEL SPUR GEAR	49T*F12/DC,SS	1EA
22	634100126	F45 CLUTCH SKIN PAD(F12)	SKIN 2.0T*F12*F45	1EA
23	630600157	EAGLE ?????	FE 2.0T*F44	1EA
24	632501702	EAGLE TENSION BLOCK	S45C F25*F15*74	1EA
25	632500707	1670RS REWINDER GEAR PIN	S45C*F20*F15*20.5	1EA
26	635500038	DU BUSHING FLANGE	15x15	1EA
27	635800272	STEEL SPUR+CHAIN GEAR	49T*21T*F17(25H)/1670RS	1EA
28	637400137	MICRO SWITCH	DECO VP531A-3H (F6.5)	1EA
29	810400132	DISCOVERY 80/100S SPRING	4.5T*F26.5*24.5	1EA

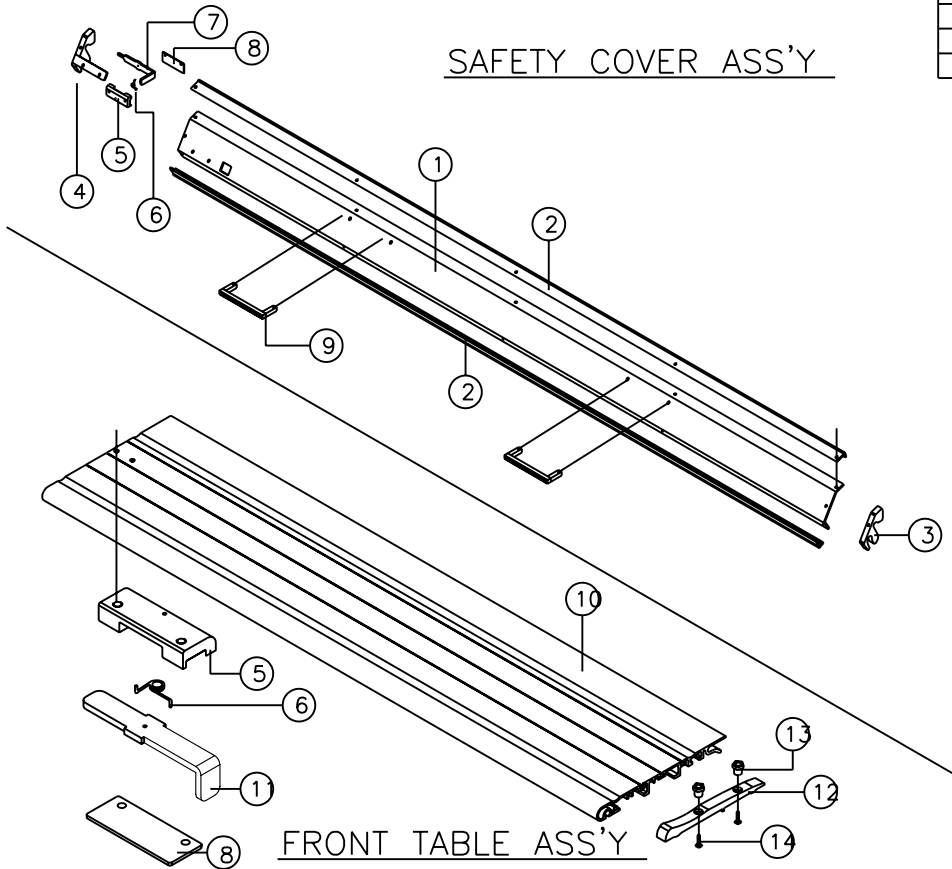
Model : 56FM /Rev 1.0  
 Ass'y - 7

Item No	Part No.	Part name	Spec	Quantity
1	631100270	56FM SIDE PLATE(L)	SPC5.0T 610*600(BK-451)	1EA
2	631100271	56FM SIDE PLATE(R)	SPC5.0T 610*600(BK-451)	1EA
3	633600687	56FM FRONT COVER	AL2.0T 1510*32.3*161.6 (BK-451)	1EA
4	639400001	INFRARED SENSOR ASS'Y	TPML1-710	2EA
5	633600690	56FM FAN COVER	AL 1510*35*83 (BK-451)	1EA
6	631100269	56FM FILM GUIDE	SPC 1.05T+1.0T 1509*128(BK-451)	1EA
7	631100281	56FM STRETCH BAR RAIL	SPC 10.0T 116.5*25	2EA
8	631100284	56FM STRETCH BAR RAIL COVER	SPC2.0T 90*24(BK-451)	2EA
9	635000005	DC GEARED MOTOR(DM012)	DC 35V 100W	1EA
10	631100266	56FM SENSOR BAR	SPCR2.3T 1509*20*40(BK-451)	1EA

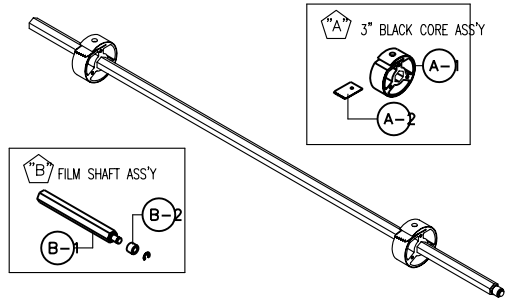


Model : 56FM /Rev 1.0  
 Ass'y - 6

Item No.	Part No.	Part name	Spec	Quantity
1	631100265	56FM SAFETY COVER	PC 3.0T 1500*53*18	1EA
2	633600692	56FM SAFETY COVER CAP	AL3.0T 21*11.5*1498 (GY-124)	2EA
3	631100240	S/M SAFETY COVER BLOCK(R)	SPC 10.0T 17.5*53.0 (PL)	1EA
4	631100239	S/M SAFETY COVER BLOCK(L)	SPC 10.0T 17.5*53.0*63.5 (PL)	1EA
5	633200036	EXCELAM II TABLE LEVER GUIDE	PC 49*19*8.7(920-70625)	2EA
6	810400161	LEVER SPRING(EXCELAM II)	0.6T*F4*7.7	2EA
7	631100249	S/M SAFETY COVER LEVER	SPC 3.0T 85*33	1EA
8	630600101	EXCELAM II TABLE LEVER BRACKET	SPC 2.0T*49*19(PL)	2EA
9	634100015	U-HANDLES(MERCURY)	AL 110*30(UN110)	2EA
10	633600686	56FM FRONT TABLE	AL 1508*300*27 (GY-124)	1EA
11	630600100	EXCELAM II TABLE LEVER	SPC 3T*140*70(PL)	1EA
12	633000176	230mm PAPER GUIDE	ABS 230*20*20 (700-15779)	1EA
13	633100001	PAPER GUIDE KNOB	NYLON66 F19*20*M5	2EA
14	810301398	SQUARE HEAD M5	M5*20	2EA
A-1	633400016	3" BLACK CORE BUSHING	AL M19*T30*F75	4EA
A-2	631000069	3"CORE BUSH STOPPER PIN	STS0.8T*40*12	4EA
B-1	632501772	56FM HEX FILM SHAFT (PL)	S45C HEX19*1500	3EA
B-2	632500633	EAGLE ????????(PL)	f15.5*110*11.0	3EA



HEX.FILM SHAFT ASS'Y

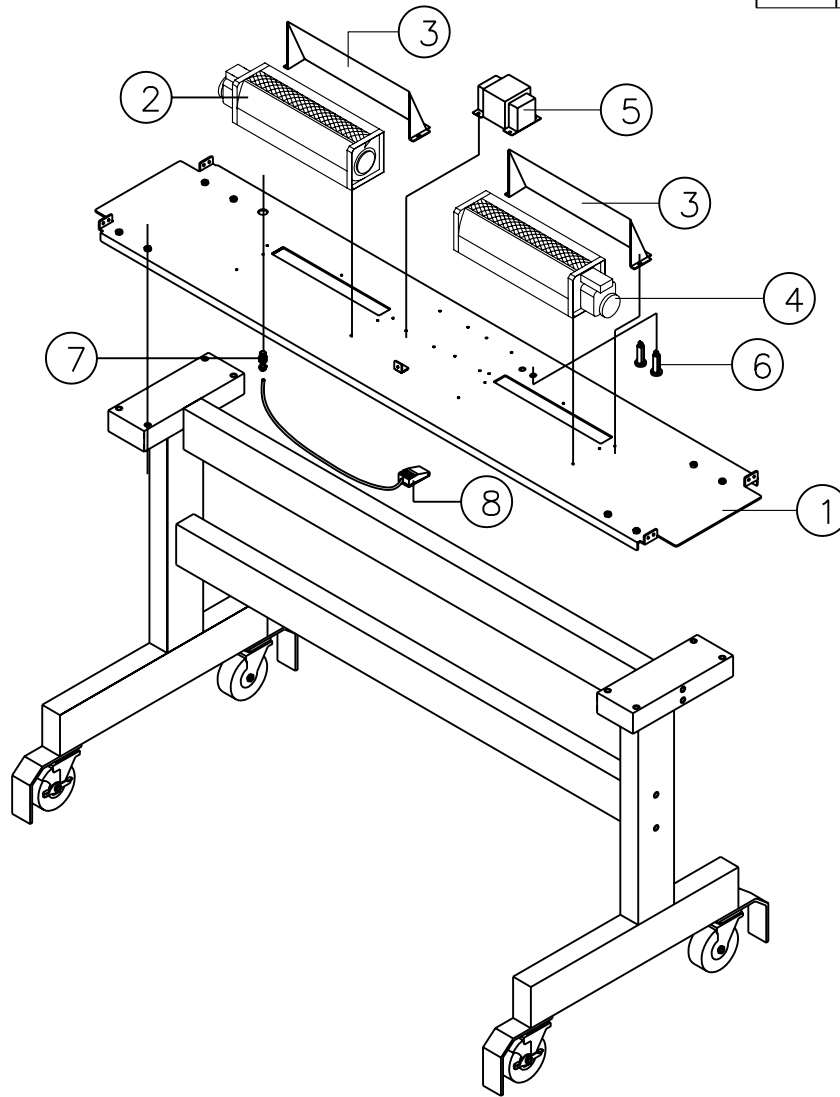




Model : 56FM /Rev 1.0

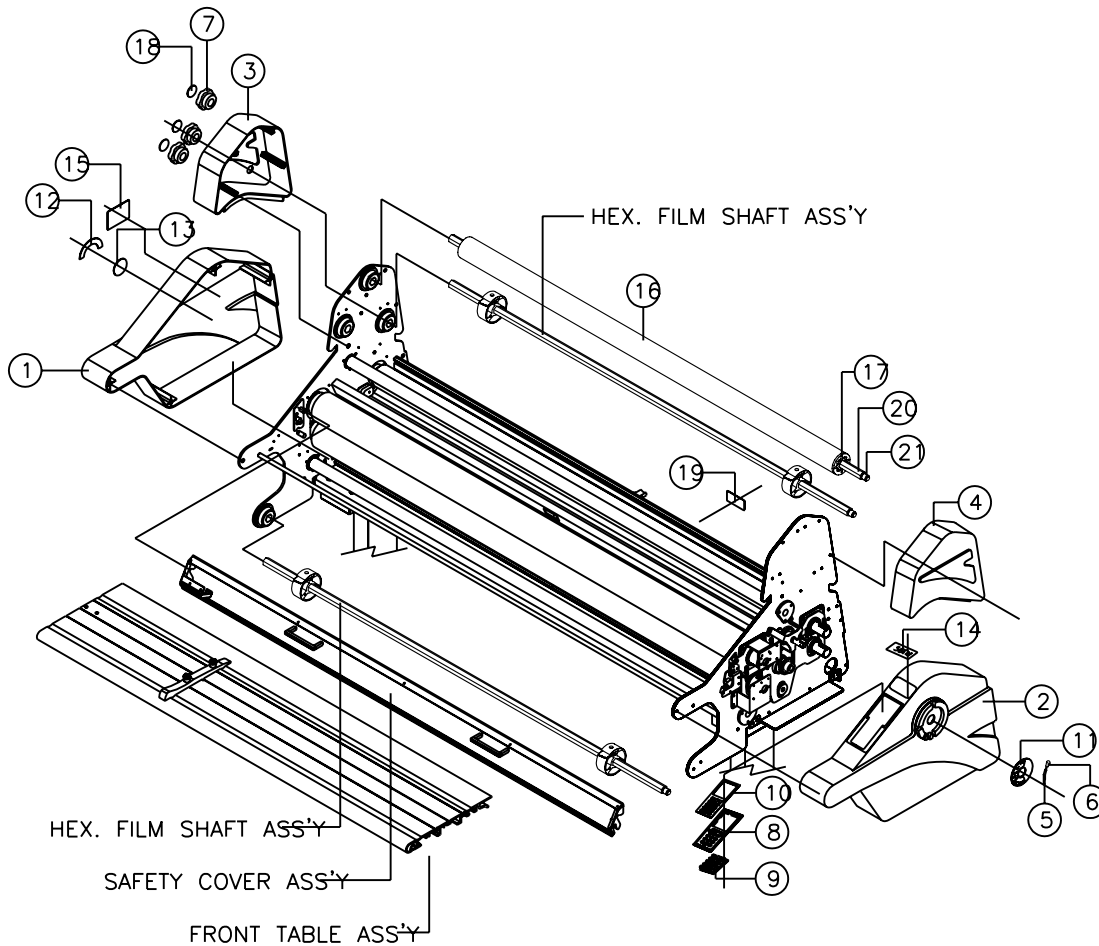
Ass'y - 4

Item No	Part No.	Part name	Spec	Quantity
1	631100268	56FM BOTTOM PLATE	SPC3.0T 1526*327(BK-451)	1EA
2	631100280	CROSS FAN MOTOR	PCF-6230GMP9-1(230/50)C.W	1EA
3	630600012	1670RS PCB SUPPORT	FE2.0T*380*58.5*110.4	2EA
4	634700004	CROSS FAN MOTOR	PCF-6230GMP9-2(230/50)C.C.WEA	1EA
5	635300085	TRANSFORMER GM7660EX-2	GM7660EX-234	1EA
6	637000002	FUSE HOLDER	f12.5*20mm250V10A	2EA
7	636400024	CORD STOPPER	PG11	1EA
8	637400022	FOOT SWITCH	HRF-MD1(220V10A)	1EA



Model : 56FM /Rev 1.0

Ass'y - 3

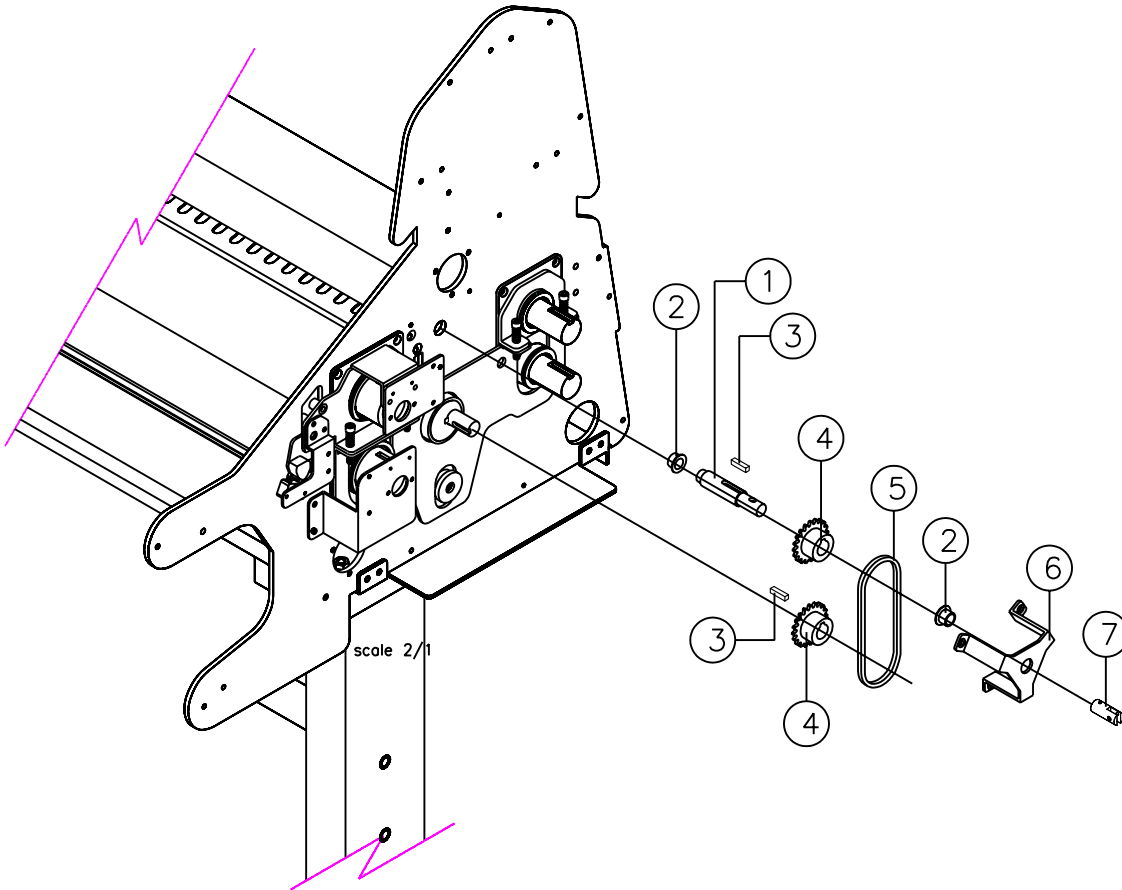


Item No	Part No.	Part name	Spec	Quantity
1	633000199	56FM SIDE COVER(L)	ABS3.2T 616.9*373.8(450-76274)	1EA
2	633000200	56FM SIDE COVER(R)	ABS3.2T 616.9*373.8(450-76274)	1EA
3	633000201	56FM REWINDER COVER(L)	ABS 3.2T 268*265*80(450-76274)	1EA
4	633000202	56FM REWINDER COVER(R)	ABS 3.2T 268*265*80(450-76274)	1EA
5	632500721	SURE ????(PL)	M10*117	1EA
6	633300118	???????(ROLL)	BACKLIGHT f8.0*85	1EA
7	633200225	56FM TENSION HANDLE	ABS F75*F15*30 (450-76274)	3EA
8	633200226	56FM CONTROL PANEL	ABS 142*64*8.0T(450-76274)	1EA
9	637400083	RUBBER KEY S/W	SURELAM (15P)	1EA
10	810700275	CONTROL PANEL STICKER/	PC0.8T 131.5*53.5	1EA
11	810700274	ROLLER TENSION STICKER/	PC0.3T*F74*F25	1EA
12	810700273	56FM ROUND COVER STICKER/	PC0.3T R25.1*R39.9(SKY BLUE)	1EA
13	810700273	56FM AL COVER STICKER	AL0.5T F45.5(SKY BLUE)	1EA
14	810700266	56FM FRONT NAME STICKER	PC 0.3T*61*30	1EA
15	810700265	56FM NAME STICKER	PC0.3T 75*55?1	1EA
16	810500067	??	F58*1400?1	1EA
17	810500081	?? ??? 57MM	OFFICE-HR?2	2EA
18	810700095	1670RS TENSION KNOB STICKER	PC0.4T*F44.5(IVORY)	3EA
19	810700276	56FM FUSE STICKER	PC0.4T*61.0*30(6.3A/2.0A)	1EA
20	632501772	56FM HEX FILM SHAFT (PL)	S45C HEX19*1500	1EA
21	632500633	EAGLE ????????(PL)	OFFICE-HR?2	1EA

Item No	Part No.	Part name	Spec	Quantity
1	632501055	S/M IDLE SHAFT	S45C F15*F12*76.5	1EA
2	635500076	DU BUSHING FLANGE	12*6	2EA
3	632500456	E/M KEY	5*5*15mm	2EA
4	635800074	STEEL CHAIN GEAR(RS#25)	20T*F15/SureMaster idle	2EA
5	635700013	ROLLER CHAIN	RS25H(24PCS)	1EA
6	631100231	S/M IDLE HANDLE SUPPORT	SPC 3.0T 77.5*50.5 (PL)	1EA
7	632500803	ROLL ????? (PL)	f20*40	1EA

Model : 56FM /Rev 1.0

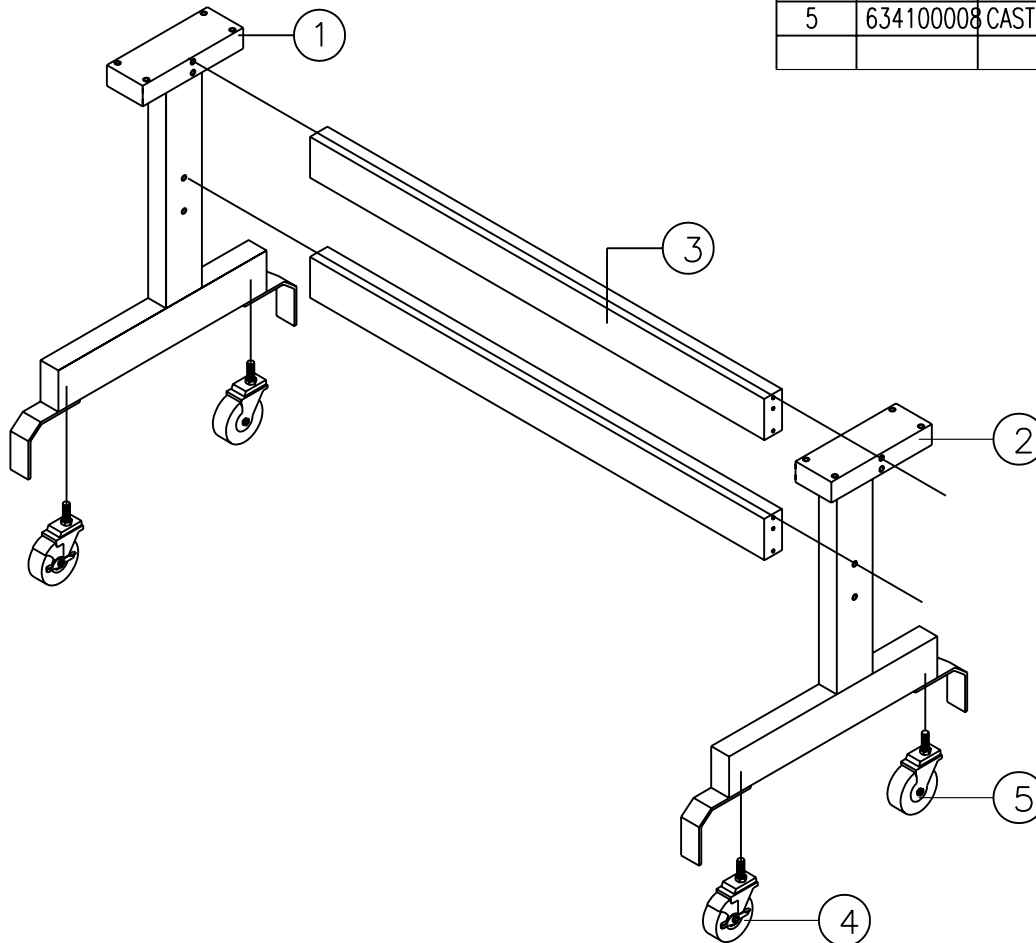
Ass'y - 2



Model : 56FM /Rev 1.0

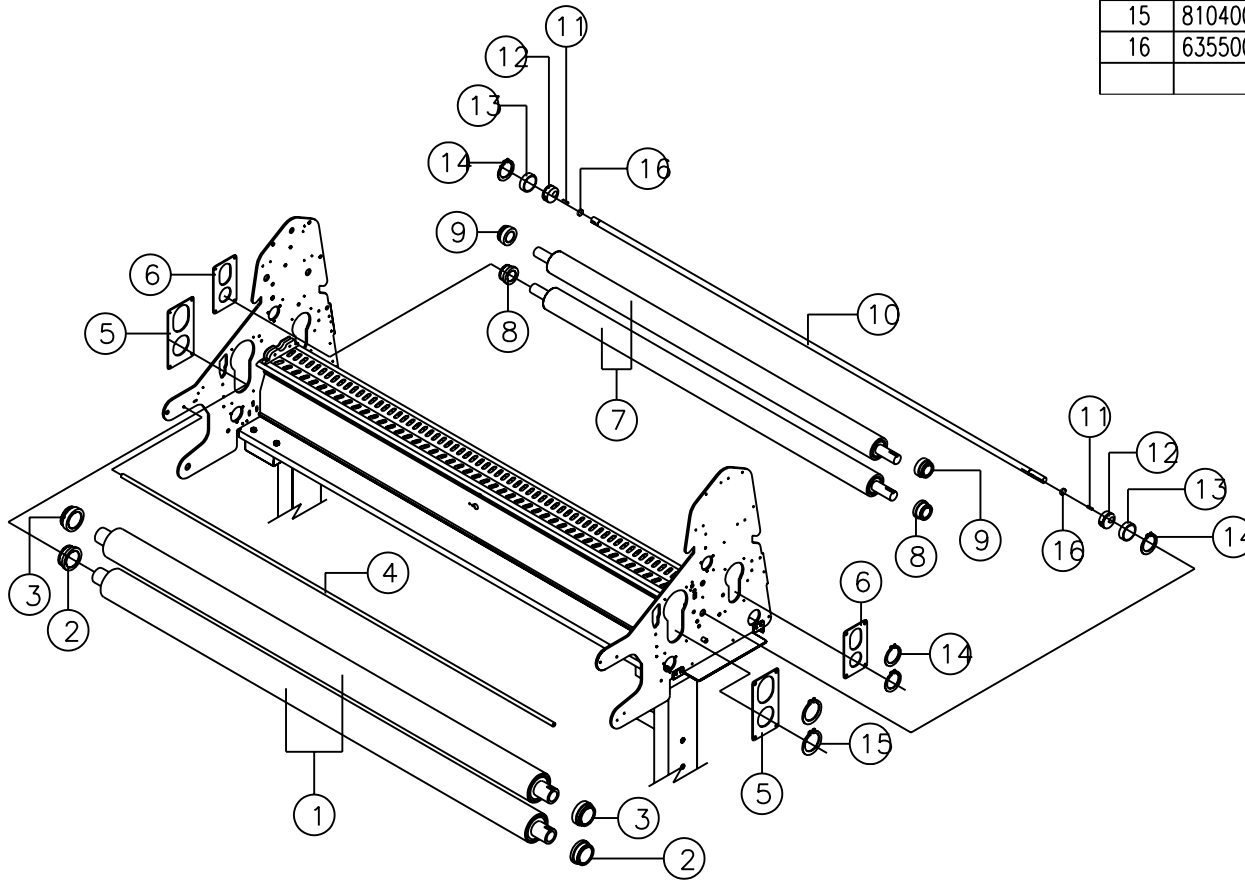
Ass'y - 1

Item No	Part No.	Part name	Spec	Quantity
1	631100279	56FM STAND ROD(L)	SPRS2.3T 100*50*674*792(BK-4EA)	1EA
2	631100280	56FM STAND ROD(R)	SPRS2.3T 100*50*674*792(BK-4EA)	1EA
3	631100267	56FM STAND CONNECTOR	SPRS2.3T 100*50*1266.0(BK-4EA)	1EA
4	634100009	CASTER(URETHAN)	4" BREAK(TP5040-23.CR-PLY.T)EA	2EA
5	634100008	CASTER(URETHAN)	4" FREE(TP5040-23.CR-PLY.T)EA	2EA

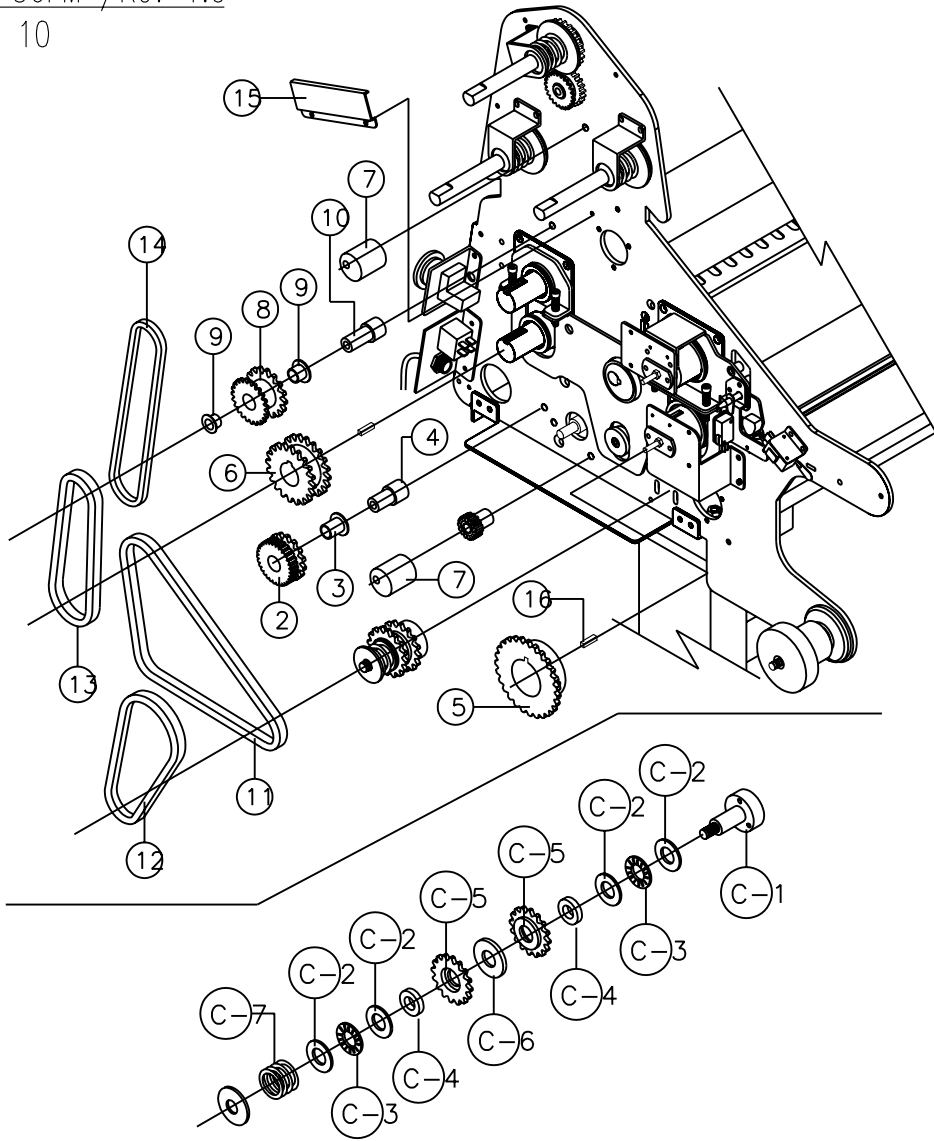


Model : 56FM /Rev 1.0  
 Ass'y - 9

Item No	Part No.	Part name	Spec	Quantity
1	631800354	56FM H/ROLLER	F80*1485*F39.9*50 (601-45) <del>GRAY</del>	2EA
2	632501475	EX-1670RS H/ROLLER BUSH	S45C F60*F54.8*F40*26*16.2	2EA
3	632501474	EX-1670RS H/ROLLER BUSH	S45C F60*F54.8*F40*26*11.2	2EA
4	632501771	56FM TIE BAR (PL)	S45C F10*1510	1EA
5	631100272	56FM HEAT ROLLER SUPPORT	SPC 3.0T 89*177 (BK-451)	2EA
6	631100273	56FM PULL ROLLER SUPPORT	SPC3.0T 80*141.5(BK-451)	2EA
7	631800355	56FM P/ROLLER	F60.5*1490*F25*1620 (201-452) <del>GRAY</del>	2EA
8	632501473	EX-1670RS P/ROLLER BUSH	S45C F45*F39.8*F25*25.5*16.4	2EA
9	632501472	EX-1670RS P/ROLLER BUSH	S45C F45*F39.8*F25*25.5*11.4	2EA
10	632501769	56FM CAM SHAFT	S45C F15*1580	1EA
11	632500456	E/M KEY	5*5*15mm	2EA
12	632501052	S/M CAM	S45C F40*16*F15	2EA
13	635400064	DRAWN CUP NIDDLE BEARING	SK4012	2EA
14	810400075	SPRING S RING	40	6EA
15	810400079	SPRING S RING	55	4EA
16	635500149	DU BUSHING TUBE	15*04	2EA



Model : 56FM /Rev 1.0  
 Ass'y - 10

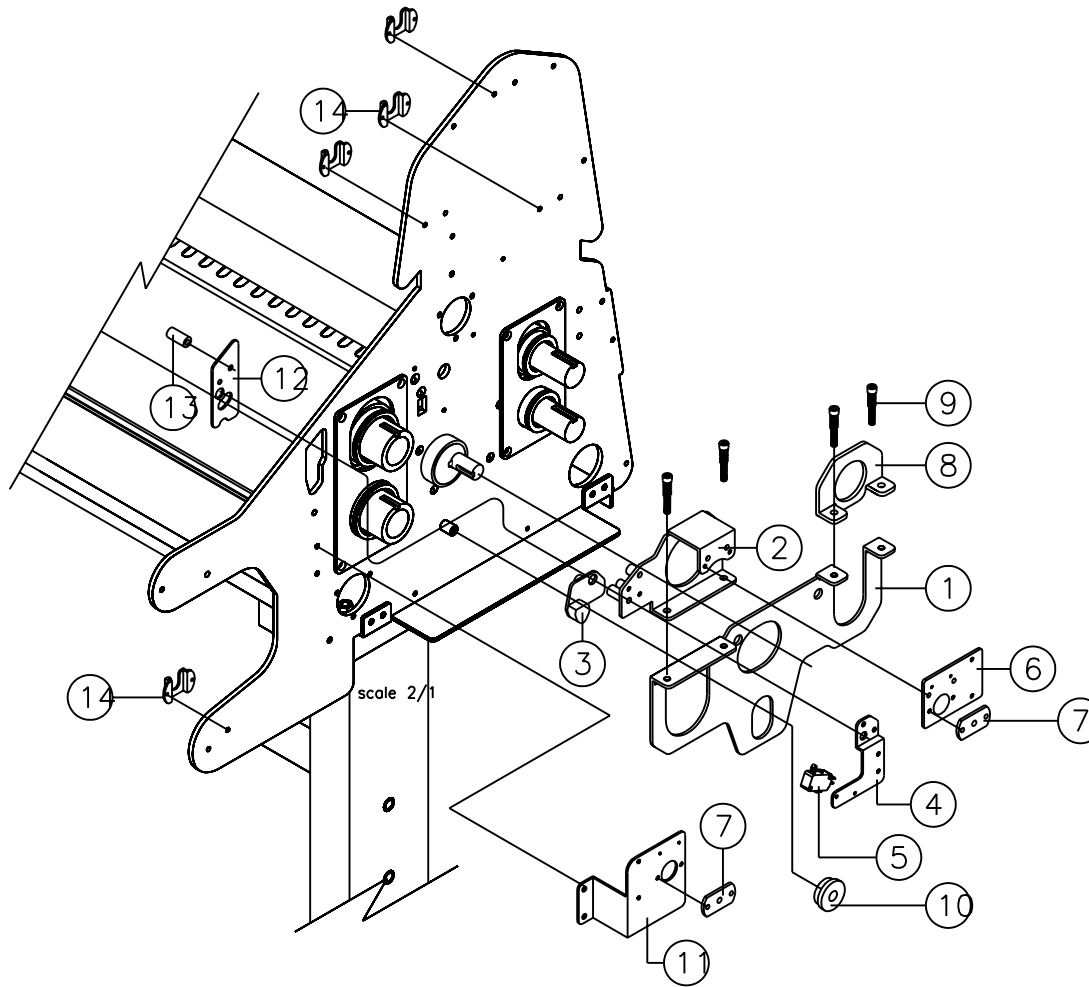


Item No	Part No.	Part name	Spec	Quantity
1	635800180	STEEL SPUR GEAR	15T*F10/1400COLD	1EA
2	635800277	STEEL SPUR+CHAIN GEAR(RS#35)	35T*F17(35H)/TITAN/1100RSEA	1EA
3	635500040	DU BUSHING FLANGE	15x20	1EA
4	632501054	S/M DOUBLE SPROCKET BUSHING	S45C F15*F20*39.5	1EA
5	635800095	1670RS H/R SPROCKET(RS#35)	35T*F17(35H)/TITAN/1100RSEA	1EA
6	635800126	STEEL CHAIN GEAR(RS#35)	20T*F25/SureMaster-pull	1EA
7	632500711	1670RS REWINDER CHAIN TAKE OFF	F28*F8.2*30	2EA
8	635800160	STEEL CHAIN+CHAIN GEAR(RS#35)	35T*F17*26.5/SureMaster-rewinder	1EA
9	635500036	DU BUSHING FLANGE	15x10	2EA
10	632501064	S/M REWINDER SPROCKET BUSHING	S45C F15*F20*45	1EA
11	635700145	ROLLER CHAIN RS35H	RS35H(33.5PCS) S/M-1650	1EA
12	635700139	ROLLER CHAIN RS35H	RS35H(22.5PCS)	1EA
13	635700138	ROLLER CHAIN RS35H	RS35H(22PCS)	1EA
14	635700030	ROLLER CHAIN	RS25H(41PCS)	1EA
15	631100282	5FM WIRE COVER	SPC1.5T 110*40*8(BK-451)	1EA
16	63250160	KEY	6*6*25	2EA
C-1	632501053	S/M CLUTCH SHAFT	S45C F17*F40*65.0	1EA
C-2	635400092	THRUST NIDDLE WASHER	AS1730	4EA
C-3	635400045	THRUST NIDDLE ROLL BEARING	AWK1730	2EA
C-4	635400003	BALL BEARING	6803	2EA
C-5	635800125	STEEL CHAIN GEAR(RS#35)	16T*F18*F26*8/SureMaster-clutch	2EA
C-6	634100130	F36 CLUTCH PAD	NON ASBESTOS 3.0T*F17*F36	1EA
C-7	810400134	EAGLE ????????	3.5T*F26.5*17.5MM	1EA

Model : 56FM /Rev 1.0

Ass'y -

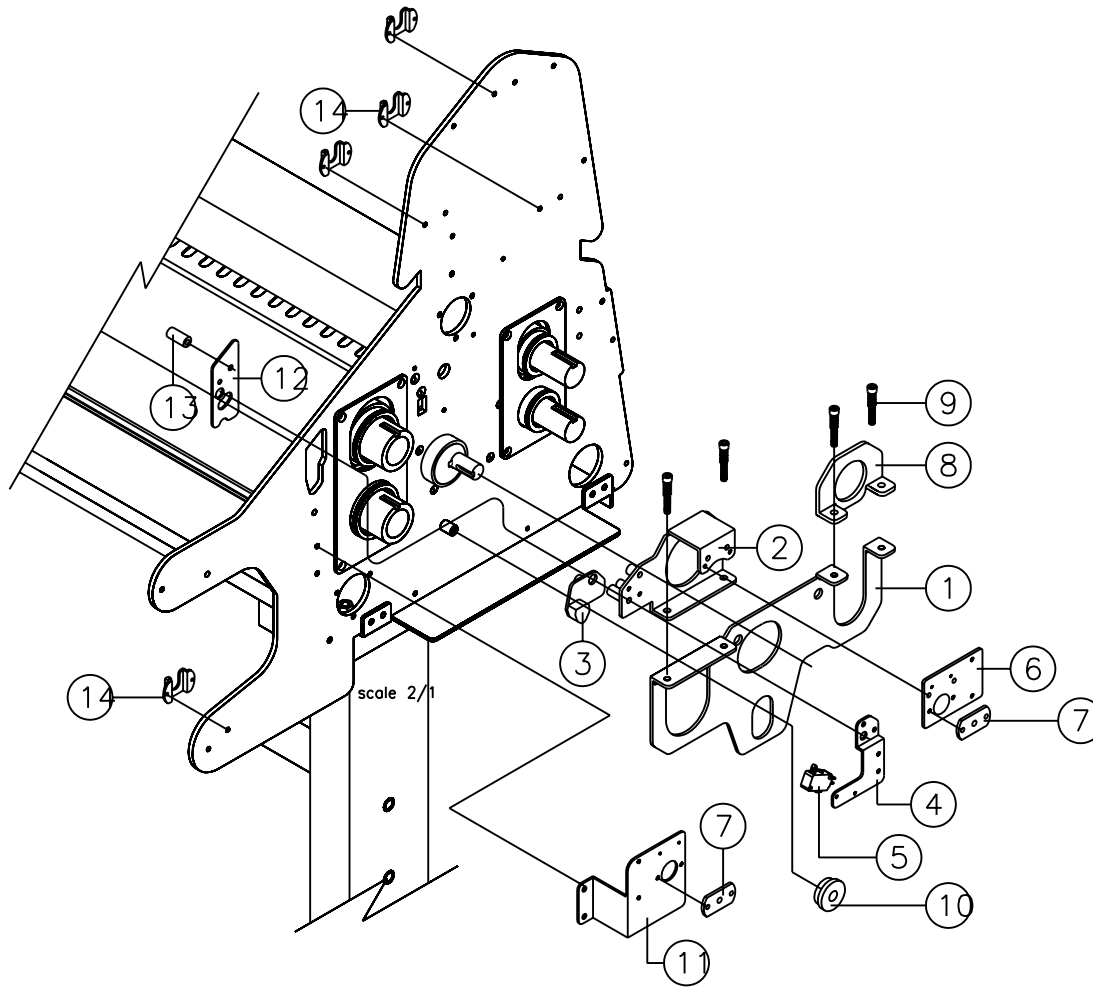
Item No	Part No.	Part name	Spec	Quantity
1	631100224	S/M TENSION PLATE(R)	SPC 3.0T 290.5*151*23 (PL)	1EA
2	631100226	S/M HEAT ROLLER HOOK(R)	SPC 3.0T 128*77.5*41 (PL)	1EA
3	631100238	S/M MICRO SWITCH PRESSER	SPC 2.5T+10.0T 47.5*34	1EA
4	631100234	S/M MICRO SWITCH BRACKET	SPC 2.0T 64.7*72*9.5	1EA
5	637400032	MICRO SWITCH	DECO VP531A-4D	1EA
6	630600006	1670RS HEATER SUPPORT	SPC2.0T*44*52.5	1EA
7	634400001	??????????	f40*f14*f5.2*8	2EA
8	631100227	S/M PULL ROLLER HOOK	SPC 4.0T 80*59.5*23 (PL)	1EA
9	810400113	ROLLER SPRING	F2.3*26.5*12.6	4EA
10	632501058	S/M GUIDE BUSH	S45C F30*F10.1*11	1EA
11	631100273	56FM HEATER SUPPORT(R)	SPC2.0T 93*82*46(BK-451)	1EA
12	631100278	56FM COVER PLATE(R)	SPC2.0T 87.2*32.5(BK-451)	1EA
13	632500682	GBC4265 ??????(PL)	SM45C F10*20	1EA
14	630200130	Q1120C FILM SUPPORT(1516mm)	SPC 3.0T*58.8*35*15	4EA



Model : 56FM /Rev 1.0

Ass'y - 12

Item No	Part No.	Part name	Spec	Quantity
1	631100224	S/M TENSION PLATE(R)	SPC 3.0T 290.5*151*23 (PL)	1EA
2	631100226	S/M HEAT ROLLER HOOK(R)	SPC 3.0T 128*77.5*41 (PL)	1EA
3	631100238	S/M MICRO SWITCH PRESSER	SPC 2.5T+10.0T 47.5*34	1EA
4	631100234	S/M MICRO SWITCH BRACKET	SPC 2.0T 64.7*72*9.5	1EA
5	637400032	MICRO SWITCH	DECO VP531A-4D	1EA
6	630600006	1670RS HEATER SUPPORT	SPC2.0T*44*52.5	1EA
7	634400001	???????????	f40*f14*f5.2*8	2EA
8	631100227	S/M PULL ROLLER HOOK	SPC 4.0T 80*59.5*23 (PL)	1EA
9	810400113	ROLLER SPRING	F2.3*26.5*12.6	4EA
10	632501058	S/M GUIDE BUSH	S45C F30*F10.1*11	1EA
11	631100275	56FM HEATER SUPPORT(R)	SPC2.0T 93*82*46(BK-451)	1EA
12	631100278	56FM COVER PLATE(R)	SPC2.0T 87.2*32.5(BK-451)	1EA
13	632500682	GBC4265 ??????(PL)	SM45C F10*20	1EA
14	630200130	Q1120C FILM SUPPORT(151	SPC 3.0T*58.8*35*15	4EA



Model : 56FM /Rev 1.0

Ass'y - 13

Item No	Part No.	Part name	Spec	Quantity
1	632501770	56FM IDLE ROLLER (PL)	S45C F30*1524	2EA
2	635400028	BALL BEARING	# 6902	4EA
3	632501059	S/M BEARING HOUSING	S45C F60*28*11	4EA
4	632500682	GBC4265 ??????(PL)	SM45C F10*20	2EA
5	632501773	56FM STRETCH BAR (PL)	STKM 1489*F42.5*7T*1457	1EA
6	635400032	BALL BEARING	#6001ZZ	2EA
7	633600689	56FM BACK COVER(UP)	AL 1509*91.5*90.7 (BK-451)	1EA
8	633600688	56FM BACK COVER(LOW)	AL 3.0T 1508*27.1*115 (BK-451)	1EA
9	633600691	56FM BLADE RAIL	AL 1510*35.1*38 (BK-451)	1EA
10	639900025	EXCELAM II BACK TRIMMER	RGS920-70625	1EA

