



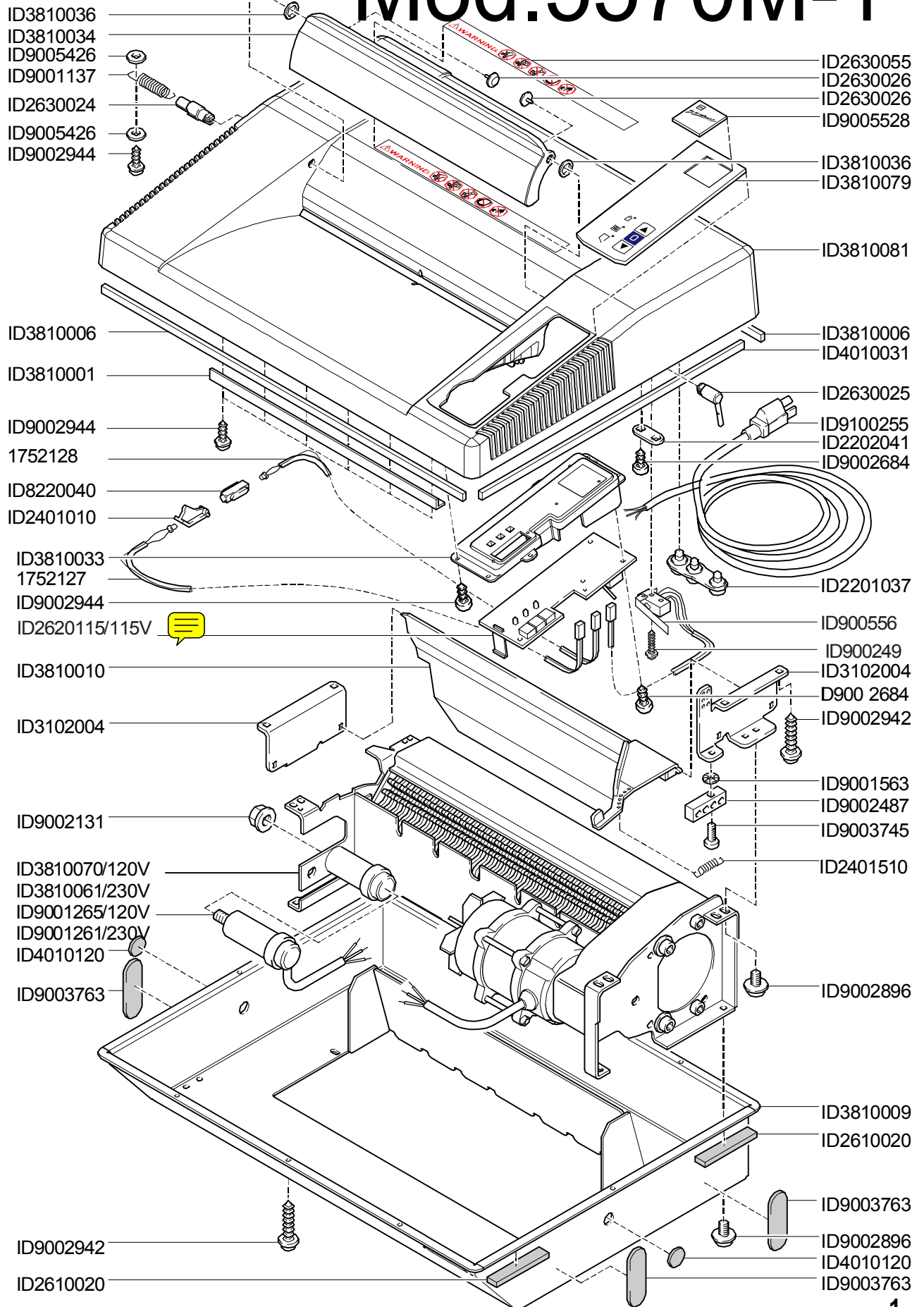
# **5570M-1 PARTS LIST**

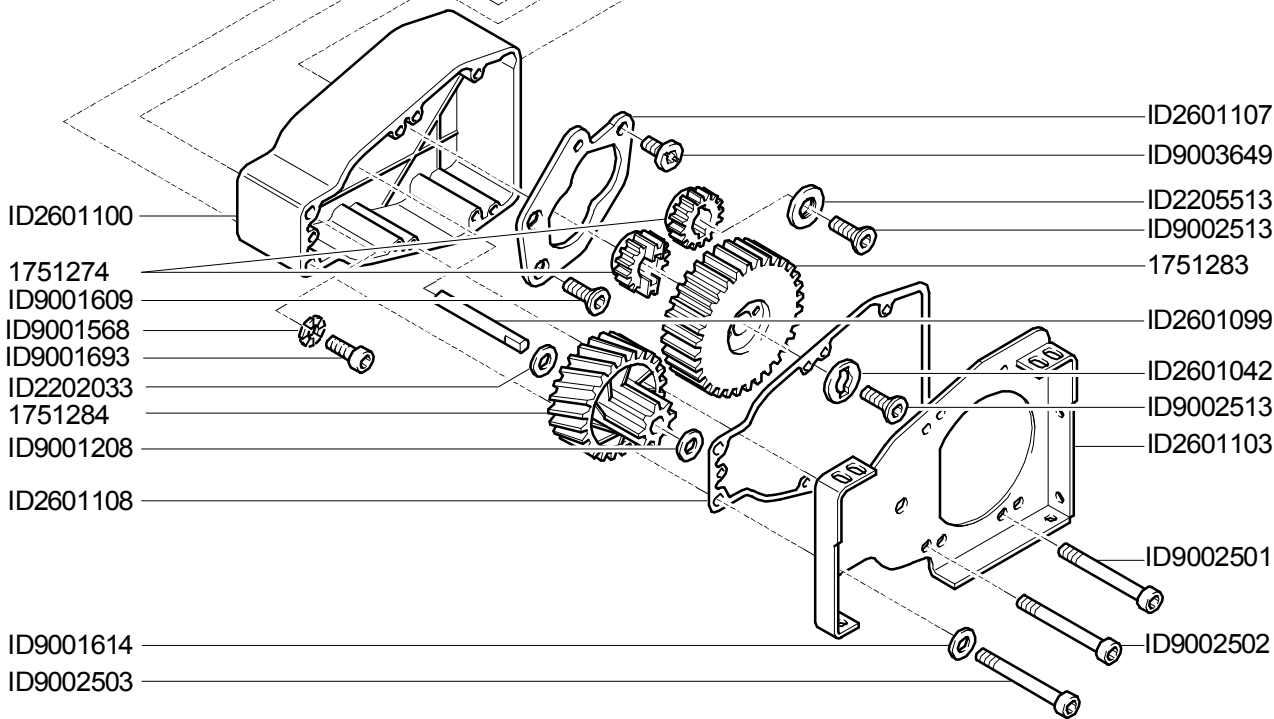
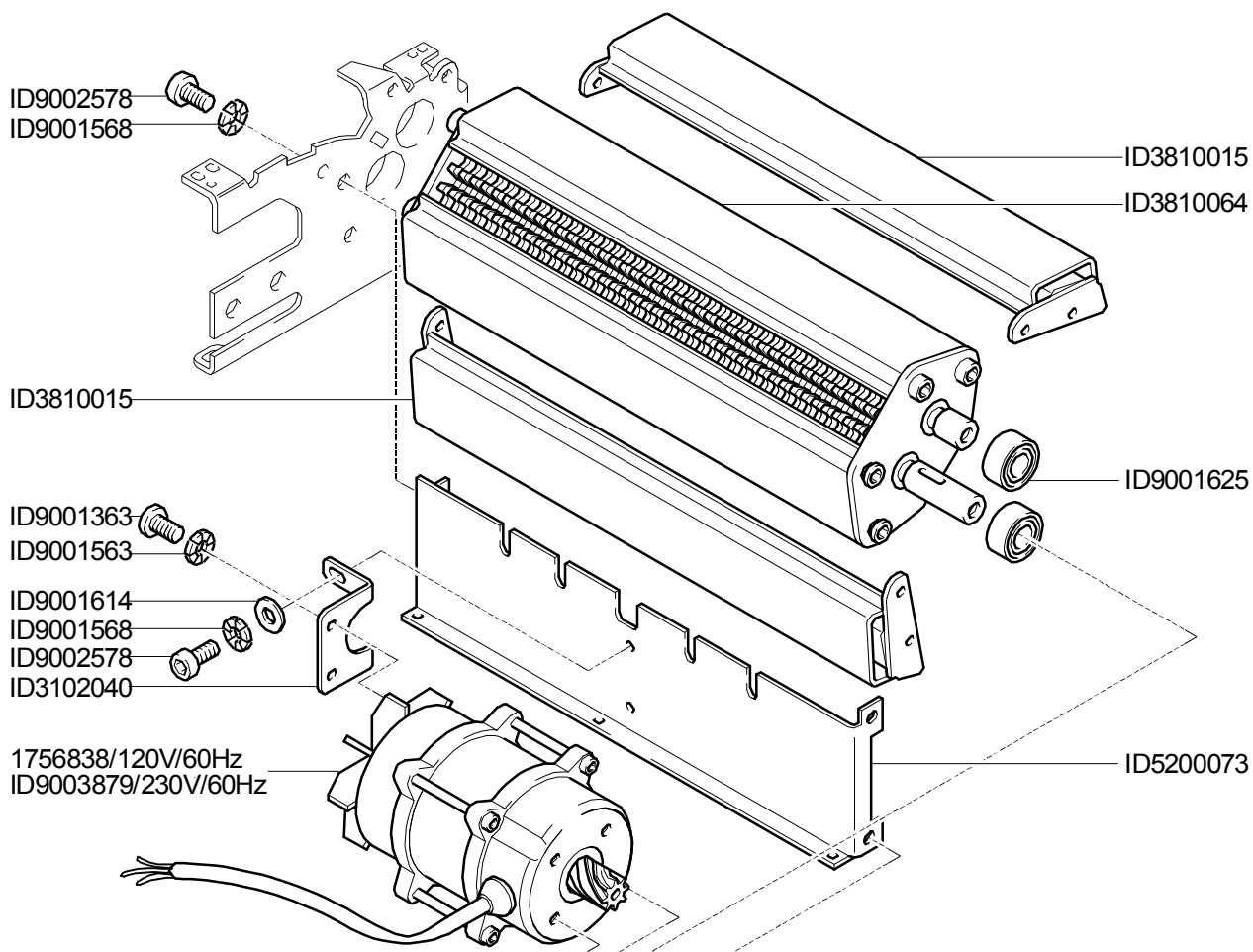
**Revised 04/18/06**

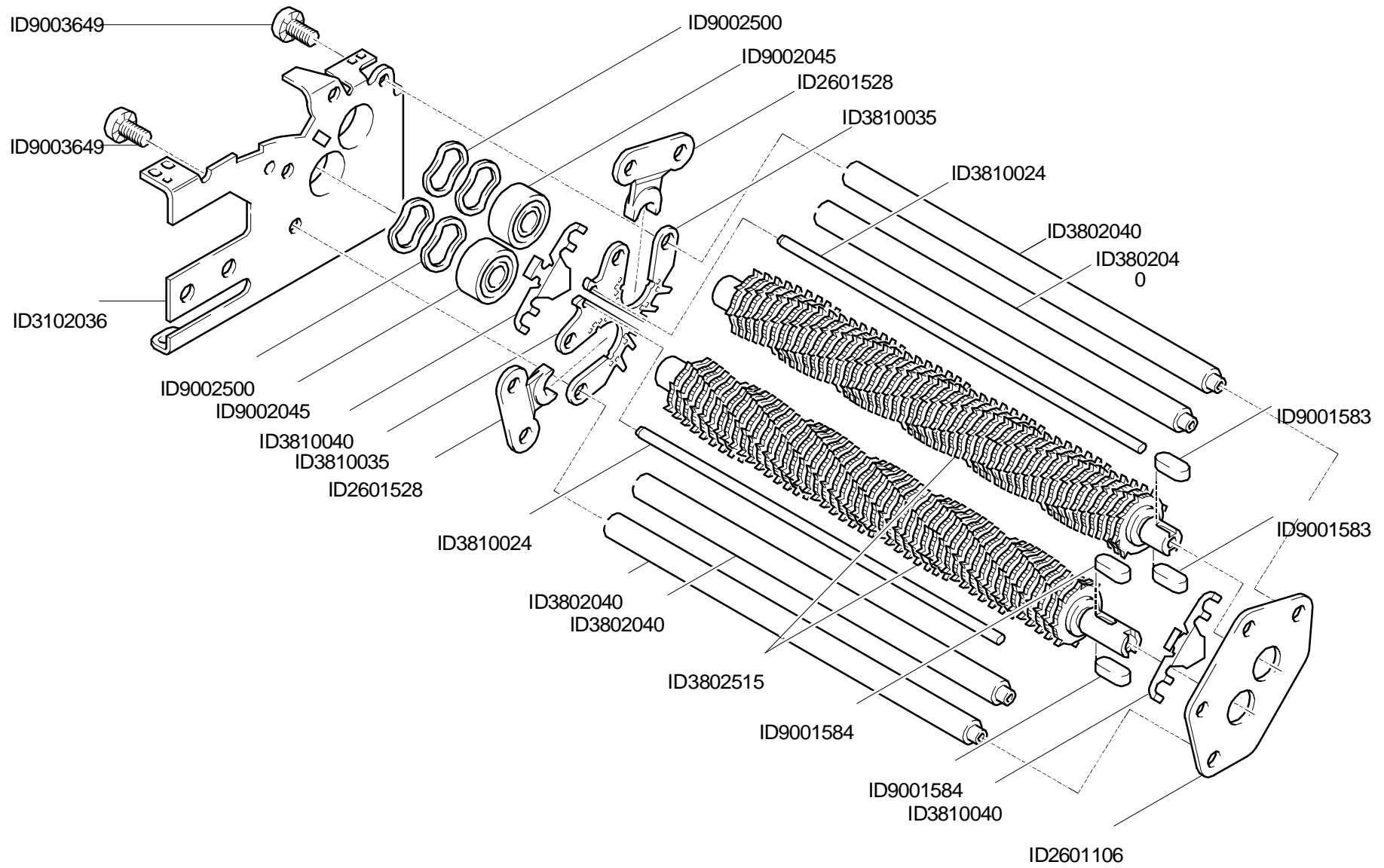


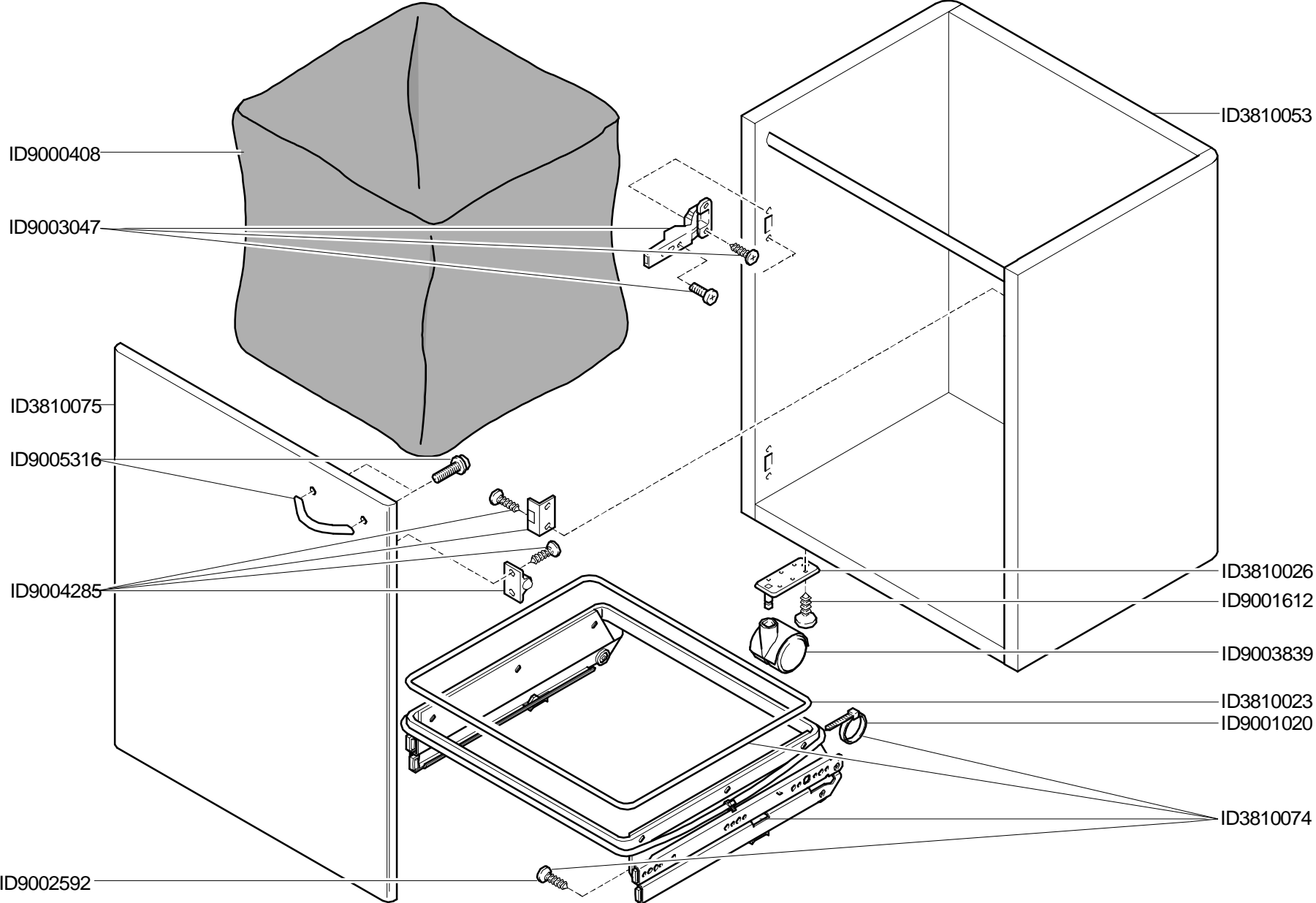
**GBC IS AN ACCO BRANDS COMPANY**

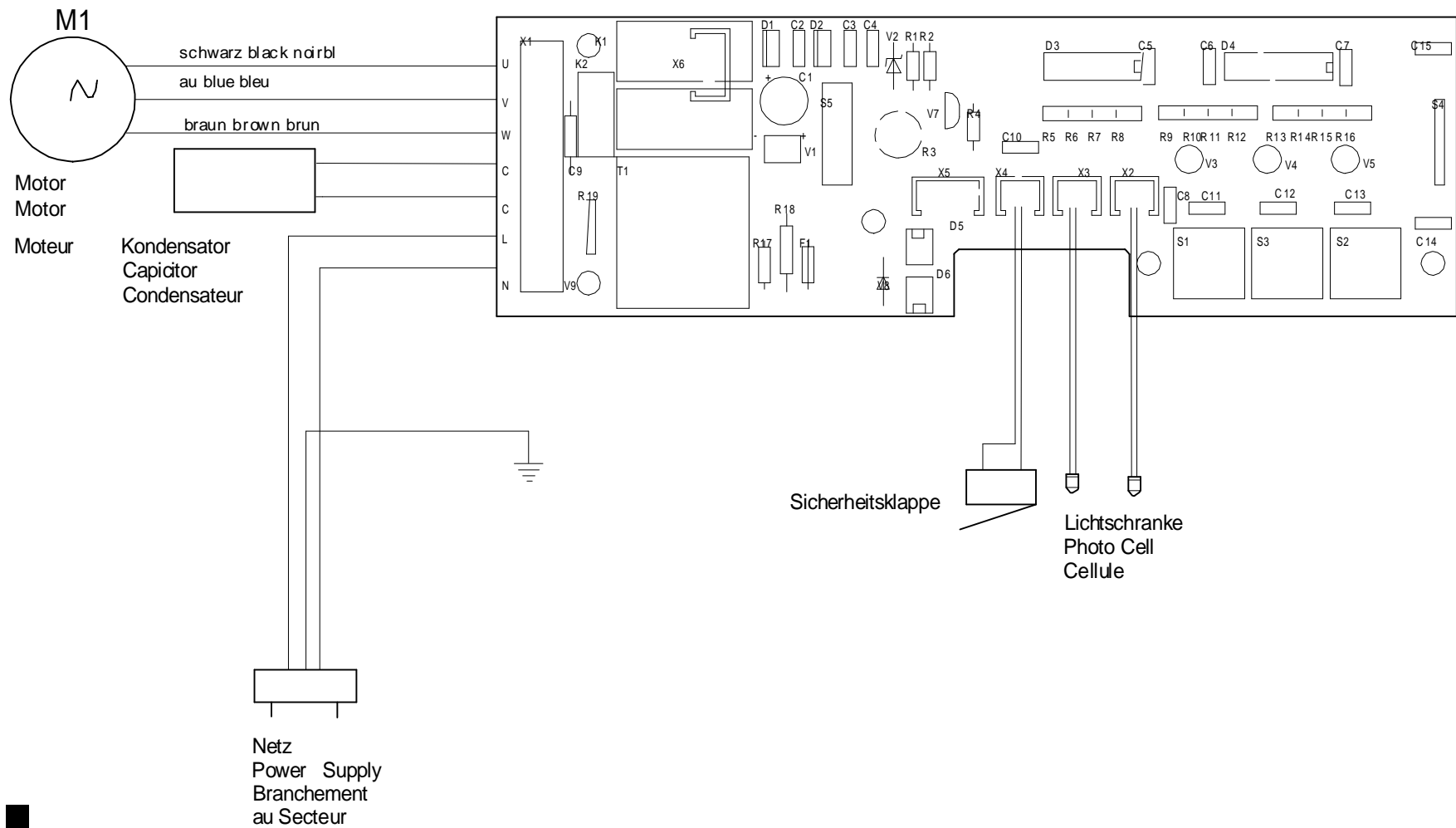
# Mod.5570M-1

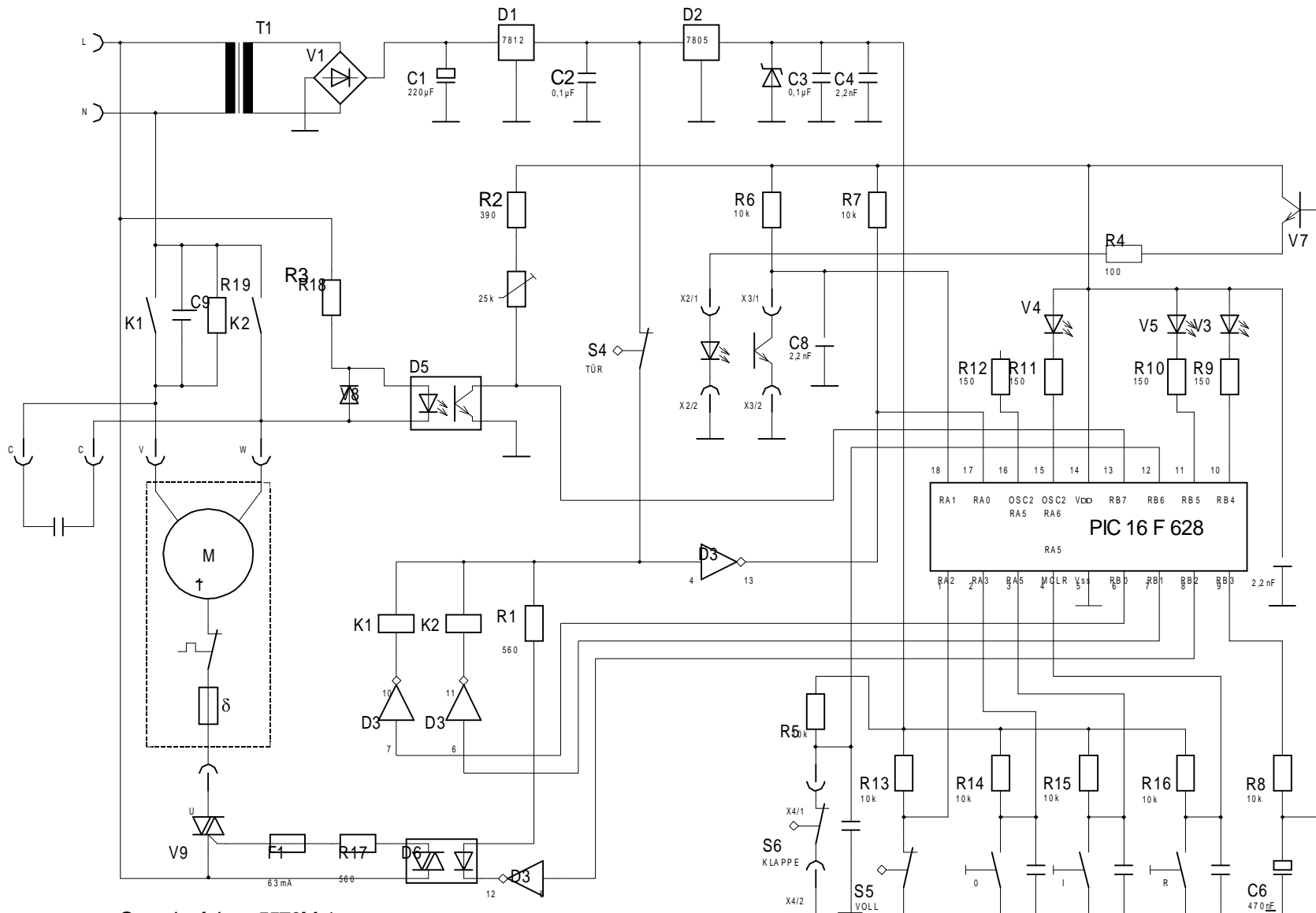












Stromlaufplan 5570M-1  
 schema de  
 circuit électrique 5570M-1  
 wiring diagram 5570M-1