



# **530 VB PARTS LIST**



**GBC IS AN ACCO BRANDS COMPANY**

# 8.0 PARTS LISTS

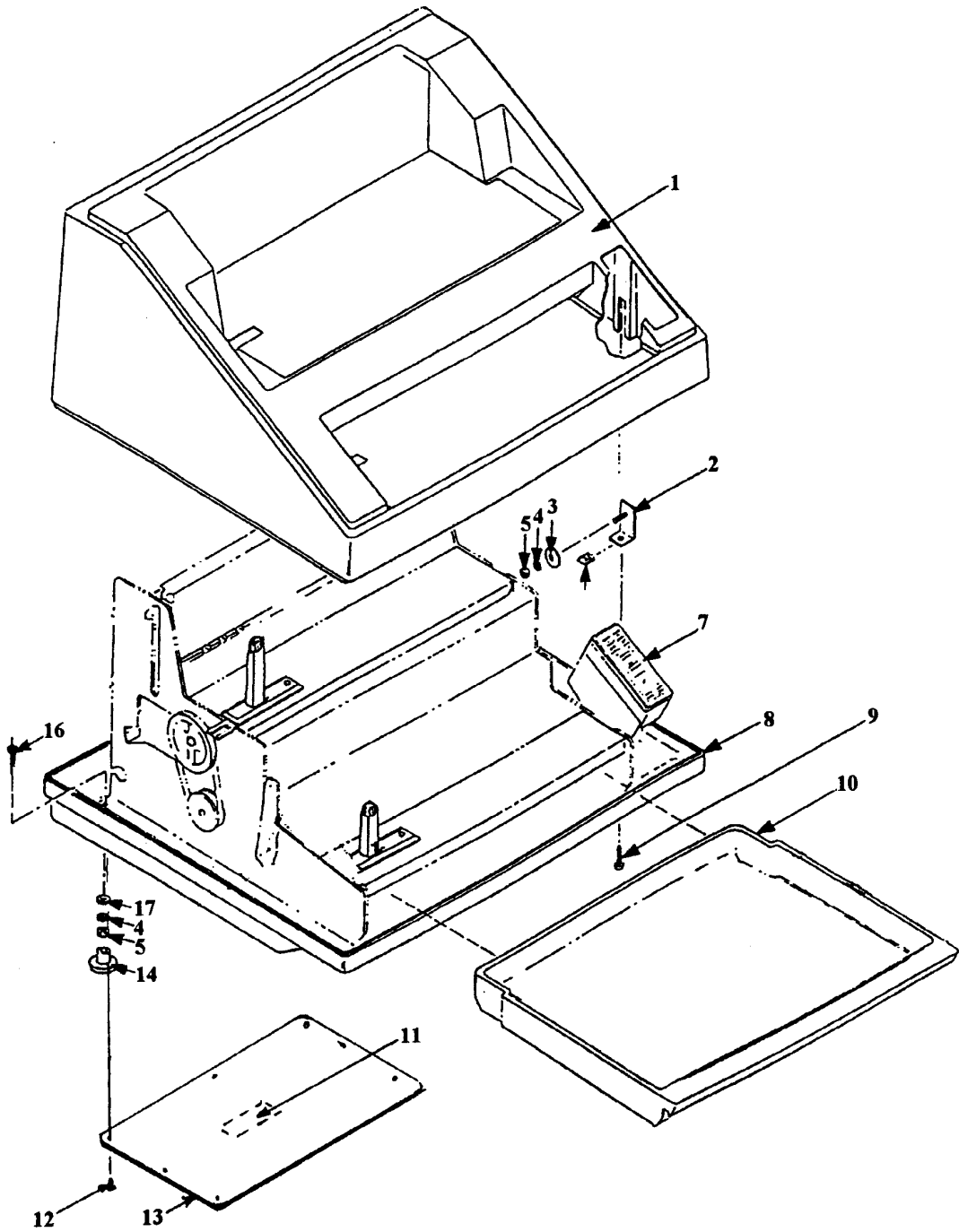


Figure 8-1

## 8.0 PARTS LISTS

**FIGURE 8-1 - HOUSING TO BASE ASSEMBLY PART NUMBER GUIDE**

ITEM #	PART NUMBER	DESCRIPTION	QTY
1	7705024	Housing Assembly (VeloBind) [Includes Items 2-6, Bind Platen (P/N 9781786), and Punch Platen (P/N 9781787)].	1
	7705023	Housing Assembly (SureBind) [Includes same as above]	1
2	9776720	Housing Mounting Bracket	4
3	1925023	#10 Flat Washer (was 9779928)	4
4	1926016	#10 Lock Washer (was 9779912)	10
5	1926703	#10 Hex Nut (was 9778590)	10
6	1931316	#10 Tinnerman Nut (was 9778610)	4
7	9781856	R. H. Switch Panel	1
	9784010	Switch Membrane UPROC	1
	9784009	P.C. Board, LED	1
	9784011	Button, Rubber	1
8	7705012	Base	1
9	1905018	10/16 X 1-1/4" Phillips Screw (was 9779206)	4
10	7705027	Debris Tray	1
	7705029	Label, Debris Tray Instructions	1
11	6009146	Label, Electric Shock (Dom)	1
12	1907832	Screw, 8-18 X 1/2 (was 9779219)	6
13	9776859	Bottom Plate, Protective Cover	1
14	1954507	Rubber Foot (was 9778089)	4
15			
16	1902856	10/24 X 1-1/8 Screw (was 9779179)	4
17	1925122	#10 Flat Washer (was 9779918)	4

# 8.0 PARTS LISTS

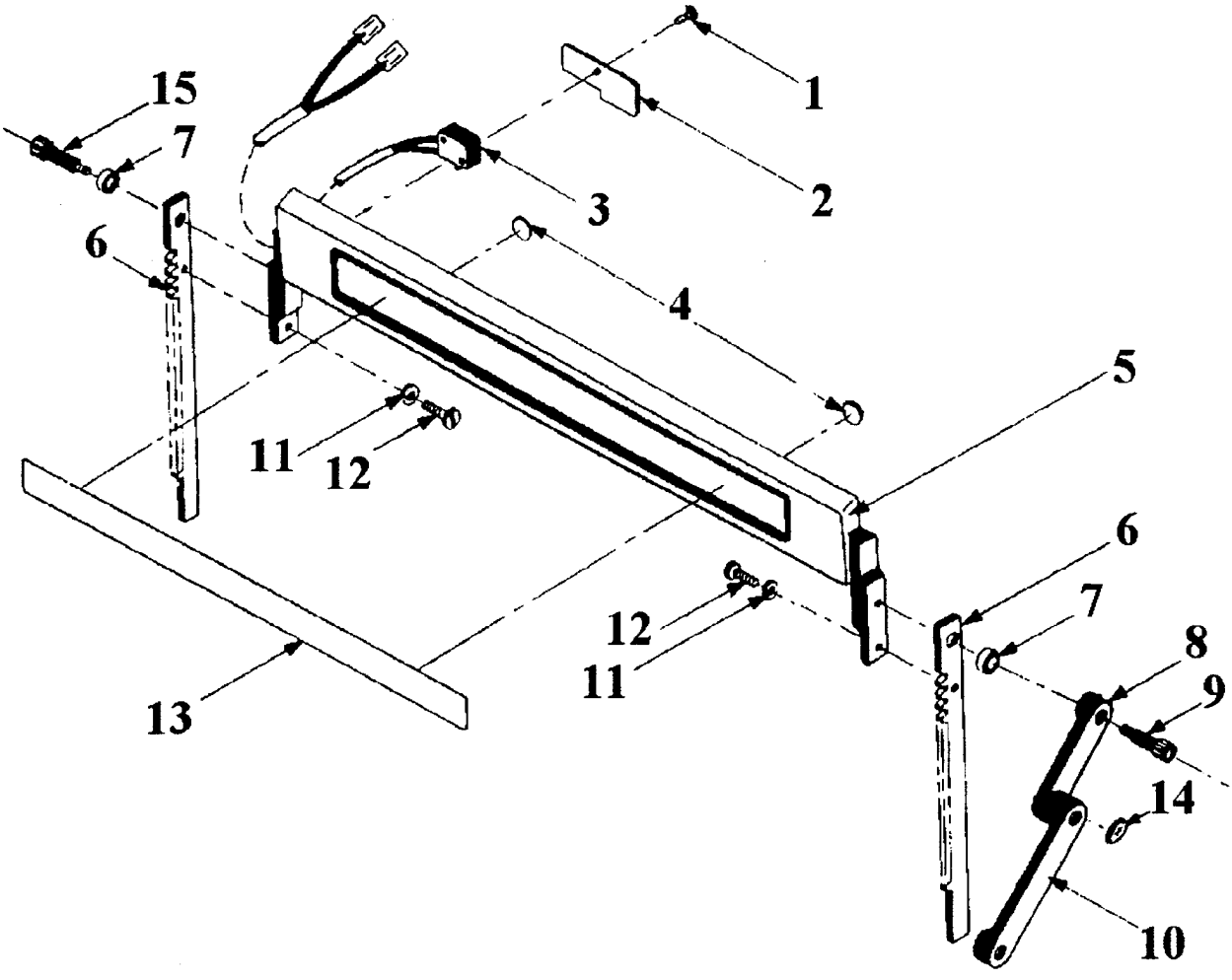


Figure 8-3

## 8.0 PARTS LISTS

**FIGURE 8-3 - PRESSURE BAR ASSEMBLY PART NUMBER GUIDE**

ITEM #	PART NUMBER	DESCRIPTION	QTY
1	1907615	2/56 X 3/16 Phillips Screw (was 9779223)	1
2	9776734	Switch Plate	1
3	9780089	Pressure Bar Switch Assembly	1
	9783663	Pressure Bar Harness Assembly	1
4	9778772	Felt Pad	2
5	7705067	Pressure Bar	1
6	9779044	Pressure Bar Rack	2
7*	9776620	Bushing	2
8*	9778460	Pressure Bar Return Link	1
9*	9779155	Shoulder Screw	2
10*	9776380	Pressure Bar Return Arm	1
11	1926016	#10 Lock Washer (was 9779912)	2
12	1902873	10/24 X 1/2 Phillips Screw (was 9779178)	1
13	9781783	Pressure Bar Logo - VB	1
	9781782	Pressure Bar Logo - SB	1
	9781881	Pressure Bar Logo - Nashuatec	1
	9781880	Pressure Bar Logo - Gestetner	1
	9781879	Pressure Bar Logo - GUSA/QB	1
14*	1928906	Speed Nut (was 9778609)	1
15*	1900806	Shoulder Screw (was 9779154)	1

***[\*NOTE: ITEMS 7, 8, 9, 10, 14 & 15 ARE NOT PART OF PRESSURE BAR ASSEMBLY]***

# 8.0 PARTS LISTS

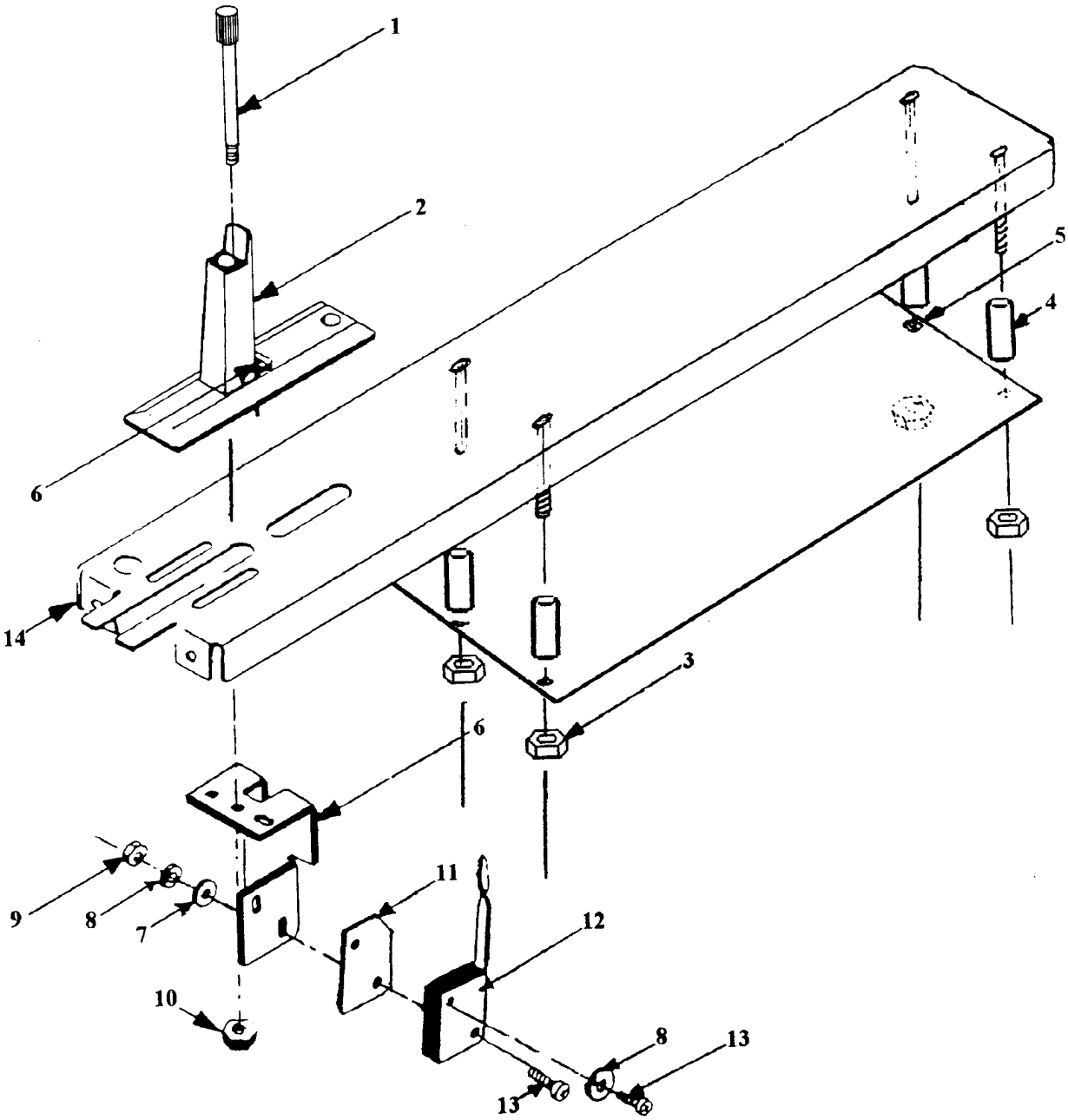


Figure 8-4

## 8.0 PARTS LISTS

**FIGURE 8-4 - PUNCH GUIDE ASSEMBLY PART NUMBER GUIDE**

ITEM #	PART NUMBER	DESCRIPTION	QTY
1	9778318	Punch Guide Knob	1
2	7705013	Punch Edge Guide	1
3	1927802	6/32 Plastic Nut (was 9781504)	4
4	1925304	P.C.B. Spacer (was 9781863)	4
5	9783672	P.C. Board Assembly	1
6	9783697	Switch Mounting Bracket	1
7	1925012	#4 Flat Washer (was 9779896)	2
8	1926007	#4 Lock Washer (was 9779909)	3
9	1926804	4/40 Hex Nut (was 9778587)	2
10	1927403	6/32 Lock Nut (was 9778592)	1
11	9778285	Insulator	1
12	7701613	Auto Punch Switch	1
13	1902840	4/40 X 3/4 Phillips Screw (was 9779170)	2
14	9781857	Punch Guide Support	1
15	9781469	Punch Edge Guide Decal	1

## 8.0 PARTS LISTS

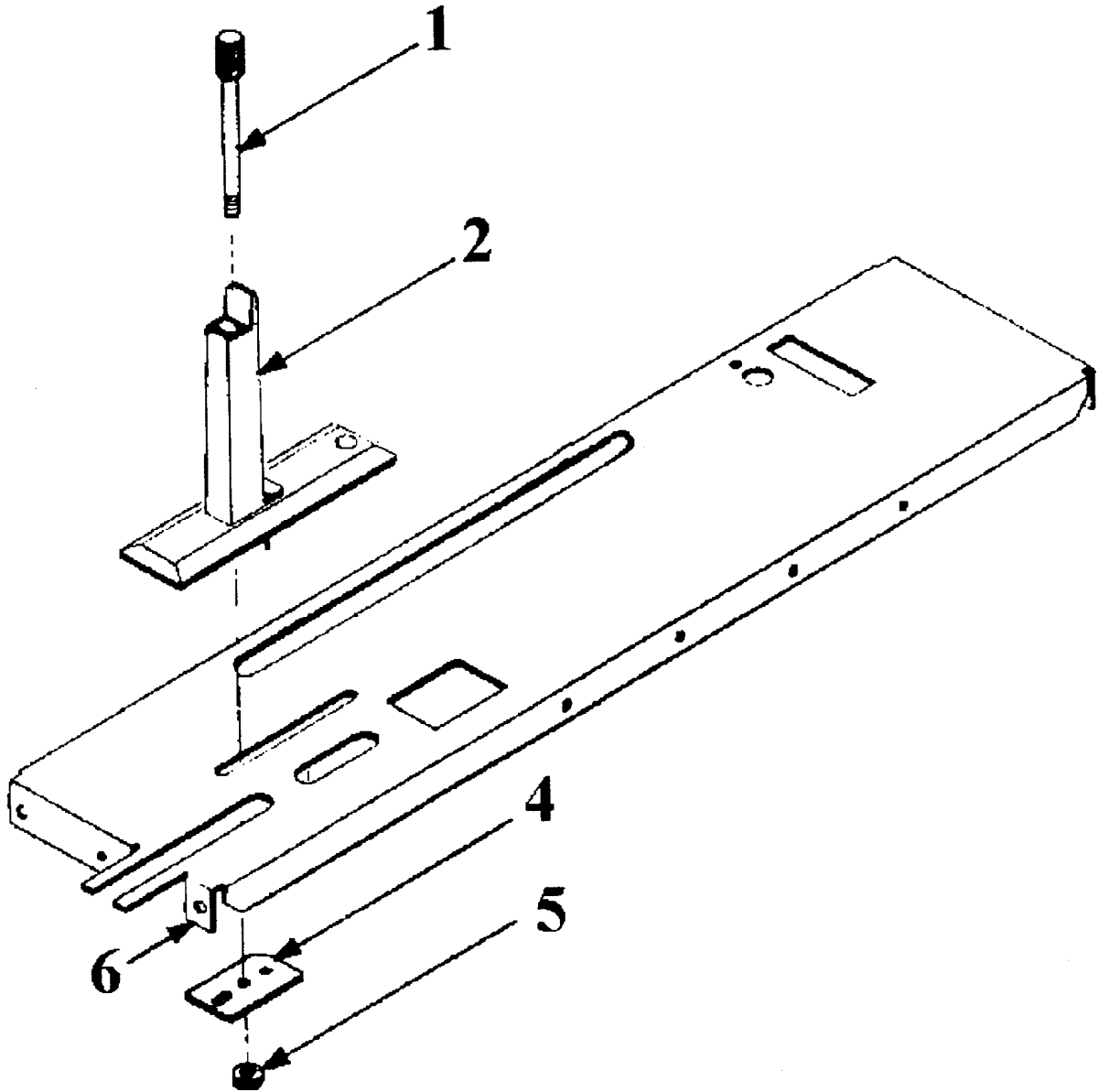


Figure 8-5

## 8.0 PARTS LISTS

**FIGURE 8-5 – BIND GUIDE ASSEMBLY PART NUMBER GUIDE**

<b>ITEM #</b>	<b>PART NUMBER</b>	<b>DESCRIPTION</b>	<b>QTY</b>
1	9778317	Bind Guide Knob	1
2	7705069	Bind Edge Guide	1
3	NOT USED		
4	9778756	Retainer Plate	1
5	1907403	6/32 Lock Nut (was 9778592)	1
6	7705068	Bind Guide Support	1

# 8.0 PARTS LISTS

PARTS GUIDE ON PAGES 8-13, 14, & 15

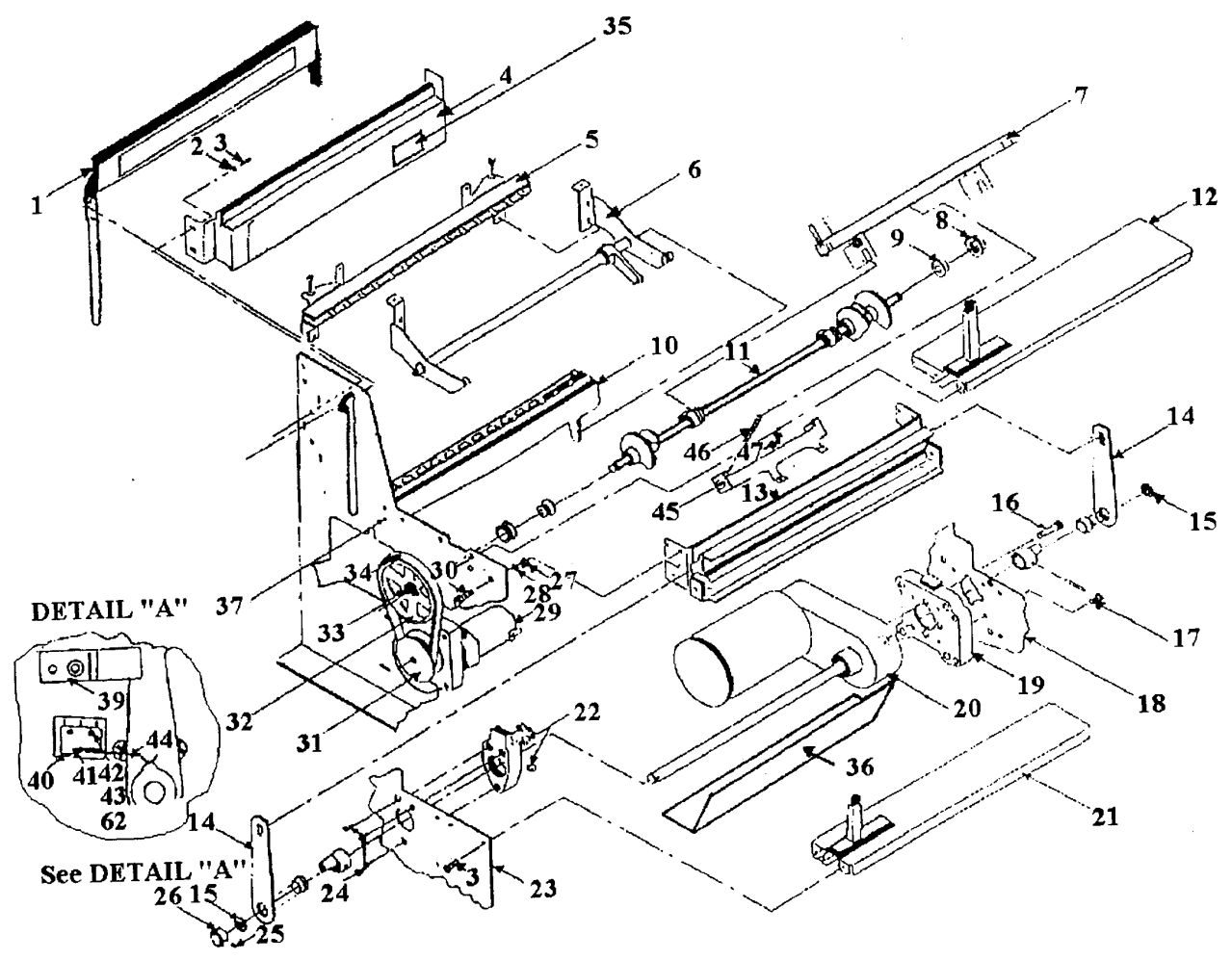


Figure 8-6

8-10

# 8.0 PARTS LISTS

PARTS GUIDE ON PAGES 8-13, 14, & 15

OUTSIDE RIGHT SIDE PLATE

INSIDE RIGHT SIDE PLATE

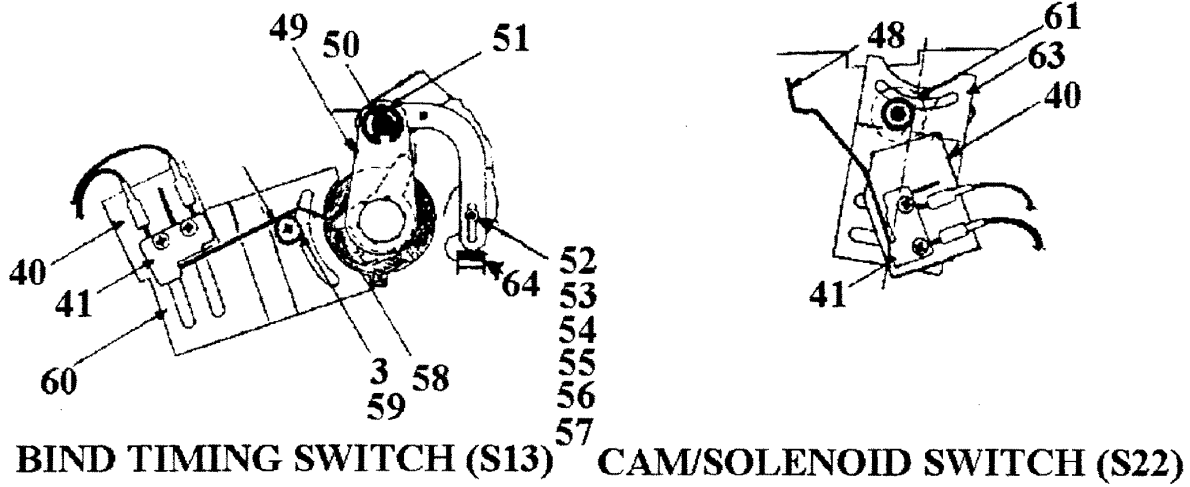


Figure 8-6 (Continued)

# 8.0 PARTS LISTS

PARTS GUIDE ON PAGES 8-13, 14, & 15

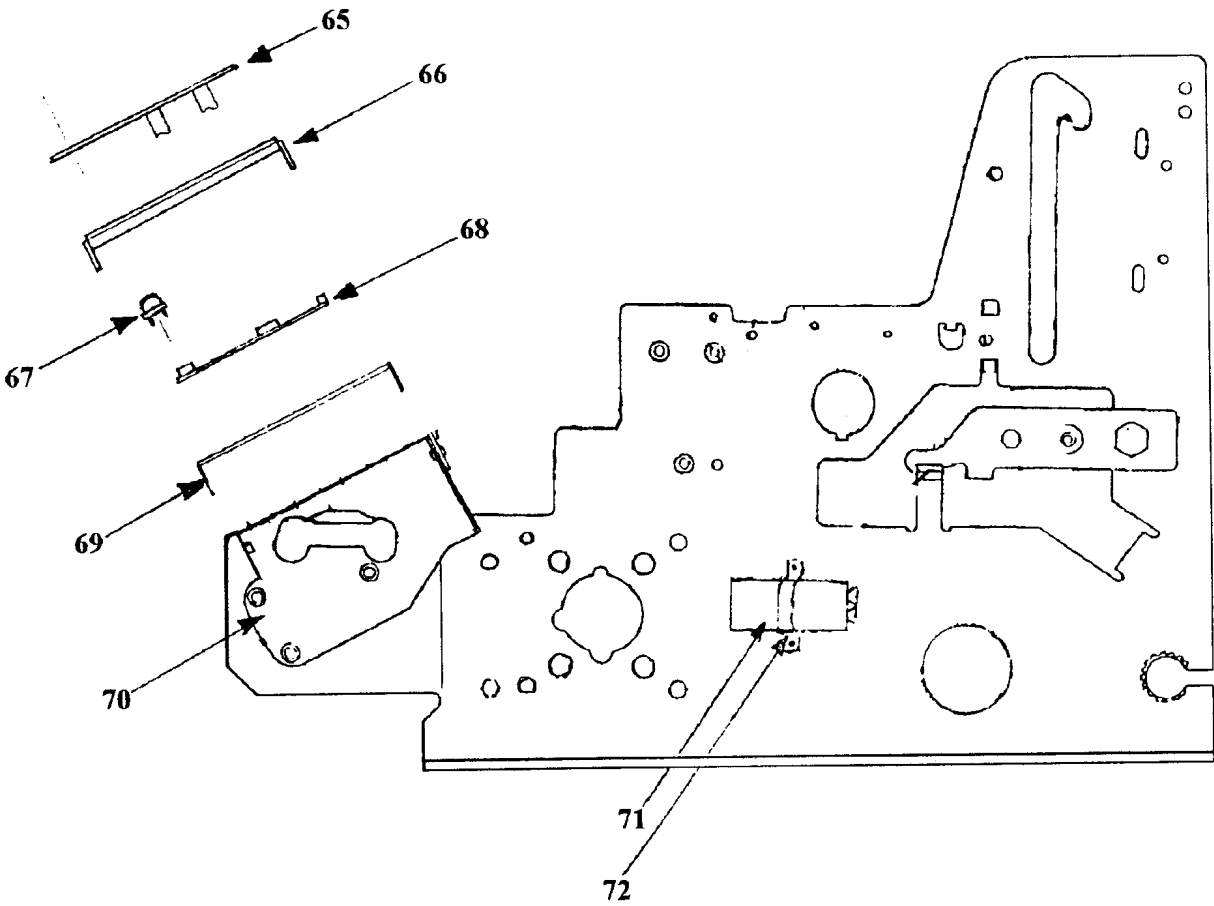


Figure 8-6 (Continued)

## 8.0 PARTS LISTS

**FIGURE 8-6 - CHASSIS ASSEMBLY PART NUMBER GUIDE**

ITEM #	PART NUMBER	DESCRIPTION	QTY
1	9781833	Pressure Bar Assembly	1
2	1925119	#6 Flat Washer (was 9779897)	4
3	1907830	6/32 X 3/8 Phillips Screw (was 9779219)	4
4	7705032	Backstop - VeloBind	1
	7705072	Backstop - SureBind	1
5	9782060	Knife Assembly (120 V. VeloBind)	1
	9782061	Knife Assembly (240 V. VeloBind)	1
	9781614	Knife Assembly (120 V. SureBind)	1
	9781613	Knife Assembly (230 V. SureBind)	1
	9782062	Knife Assembly (100 V. SureBind)	1
6		Ecc. Shaft/Cutter Arm Assy	1
7		Cooling Finger/Bracket Assy	1
8	9776611	Bearing	2
9	9779236	Cam Shaft Journal	2
10		Bridge Assembly	1
11		Cam Shaft Assembly	1
12		Bind Guide Assembly	1
13	9781814	Punch Assembly	1
14	9778461	Punch Link	2
15	1932513	Retaining Clip (was 9777570)	2
16	1964506	5/16 X 3/4 Socket Screw (was 9779205)	3
17	1964502	10/24 X 1/2 Flat Hd Screw (was 9779204)	4
18		Right Side Plate Assembly	1
19	9776389	Punch Motor Adapter	1
20	9778567	115 Volt Motor Assembly	1
	9778568	240 Volt Motor Assembly	1
21		Punch Guide Assembly	1
22	1927409	Lock Nut (was 9778597)	3
23		Left Side Plate Assembly	1
24	1902637	10/24 X 3/4 Phillips Screw (was 9779187)	3
25	1900019	6/32 X 1/8 Socket Set Screw (was 9779192)	1
26	9781677	Punch Switch Cam	1

## 8.0 PARTS LISTS

**FIGURE 8-6 - CHASSIS ASSEMBLY PART NUMBER GUIDE (Cont'd.)**

ITEM #	PART NUMBER	DESCRIPTION	QTY
27	1926729	1/4-20 Hex Nut (was 9778591)	6
28	1926018	1/4 Lock Washer (was 9779913)	6
29	9778565	Bind Motor	1
30	1900524	1/4-20 X 7/8 Socket Screw (was 9779141)	6
31	9778704	Bind Motor Pulley	1
32	9778705	Drive Pulley	1
33	1930522	E-Ring (was 9779072)	1
34	9776613	Timing Belt	1
35	6009094	Label, Caution Hot Surface (Domestic)	1
36	9781826	Screen, Protective	1
37	1902873	10/24 X 1/2 Phillips Screw (was 9779178)	2
38			
39	9776726	Punch Link Retainer Bracket	1
40	9778287	Insulator	3
41	9779311	Switch	3
42	1902872	2/56 X 9/16 Phillips Screw (was 9779168)	6
43	1925805	Internal Tooth Lock Washer (was 9779920)	6
44	9776353	Switch Actuator (Punch)	2
45	9780061	Solenoid Adjusting Bracket	1
46	9776605	Extension Spring	1
47	1930204	Cotter Pin (was 9776588)	1
48	9776354	Switch Actuator	1
49	9778467	Brass Link	1
50	9781811	Rivet, Pressure Bar Return, Trunnion	1
51	1930510	E-Ring (was 9779069)	1
52	1902840	4/40 X 3/4 Phillips Screw (was 9779170)	1
53	9779090	Drive Arm Roller	1
54	1925012	#4 Flat Washer (was 9779896)	1
55	1926007	#4 Lock Washer (was 9779909)	1
56	1926711	4/40 Hex Nut (was 9778587)	1
57	9776394	Drive Arm	1
58	9778116	Drive Gear	1
59	1925904	#6 Star Washer (was 9779925)	3
60	9776958	Switch Mounting Bracket	1

## 8.0 PARTS LISTS

**FIGURE 8-6 - CHASSIS ASSEMBLY PART NUMBER GUIDE (Cont'd.)**

61	9776478	Spacer	1
62	9778618	Nut Plate	3
63	9780061	Switch Mounting Bracket	1
64	9778639	Rubber Drive Arm Cushion	1
65	7705016	Switch Membrane	1
66	7705014	Switch Panel	1
67	7705015	Rubber Button	1
68	9784009	User P.C. Board	1
69	9781013	Mounting Bracket	1
70	9776709	Adjusting Bracket	1
71	9776779	120 VAC Capacitor	1
	9781230	230 VAC Capacitor	1
72	9781198	120 VAC Capacitor Bracket	1
	9781197	230 VAC Capacitor Bracket	1

**8.0 PARTS LISTS**

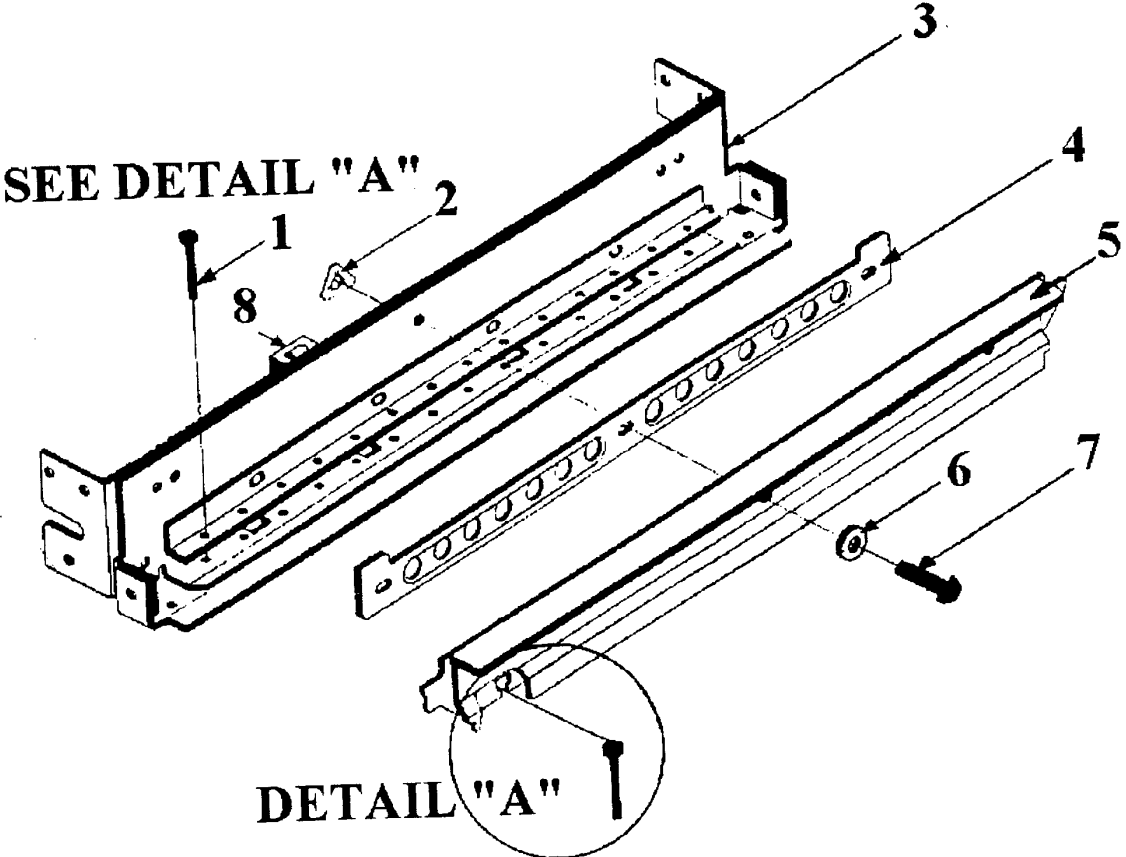


Figure 8-7

## 8.0 PARTS LISTS

**FIGURE 8-7 - PUNCH ASSEMBLY PART NUMBER GUIDE**

ITEM #	PART NUMBER	DESCRIPTION	QTY
N/A	9781029	Punch Assembly - VB(Includes Items 1-7 only)	1
	9781814	Punch Assembly - SB(Includes Items 1-7 only)	1
1	9778684	Punch Pin	14
2	1929105	Retaining Clip (was 9779078)	6
3	9778638	Punch Housing - VeloBind	1
	9781804	Punch Housing - SureBind	1
4	9779250	Punch Spacer	1
5	9776364	Punch Actuator - VeloBind	1
	9781390	Punch Actuator - SureBind	1
6	1925218	Plastic Washer (was 9779933)	3
7	1931201	Retaining Pin (was 9779063)	3
8	9780113	115 Volt Solenoid	1
	9780114	240 Volt Solenoid	1
	1900594	6-32 x 1/4 Screw for Solenoid (was 9779122)	4

**NOTE: "DETAIL A" SHOWS PIN TO ACTUATOR ASSEMBLY.**

# 8.0 PARTS LISTS

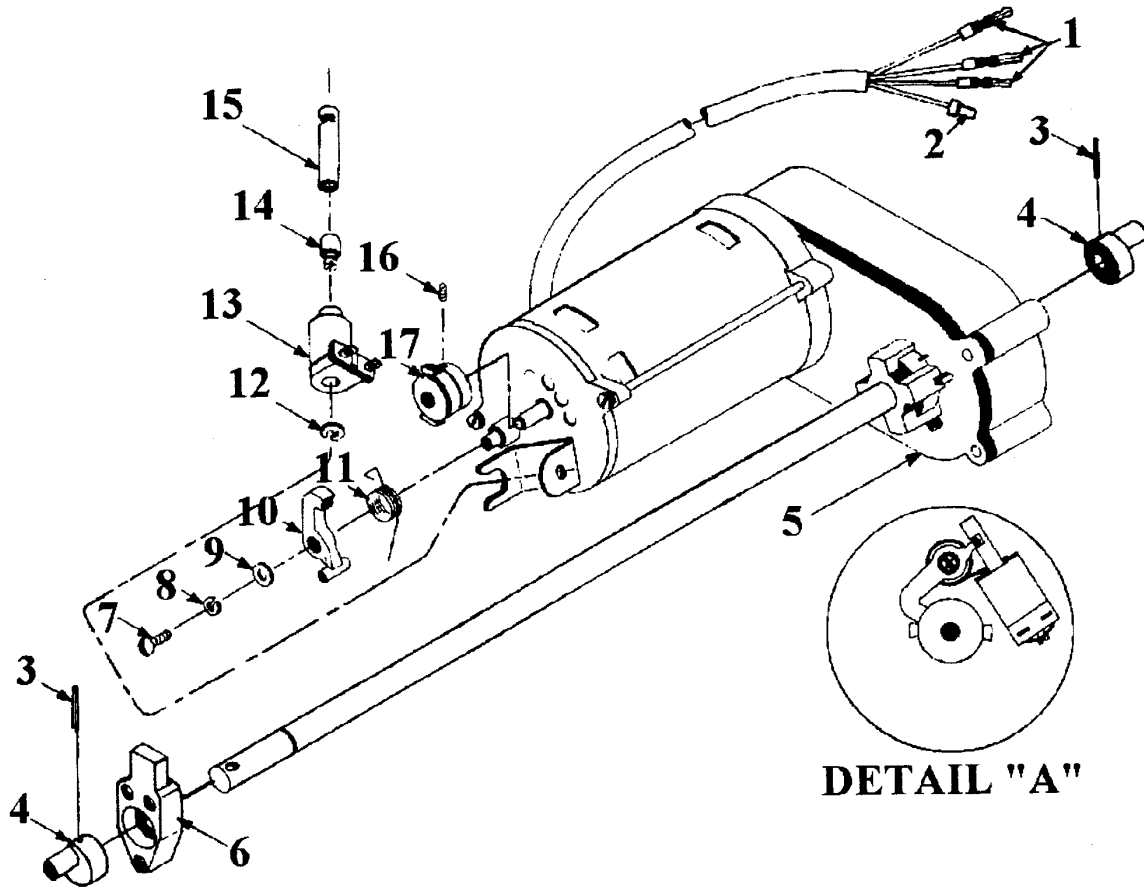


Figure 8-8

## 8.0 PARTS LISTS

**FIGURE 8-8 - PUNCH MOTOR ASSEMBLY PART NUMBER GUIDE**

ITEM #	PART NUMBER	DESCRIPTION	QTY
N/A	9778567	Punch Motor Assembly (115 V)	1
N/A	9778568	Punch Motor Assembly (240 V)	1
1	1940005	Bullet Terminal Lug (was 9779383)	3
2	1940101	Cap Splice Connector (was 9776789)	1
3	9778669	Roll Pin	2
4	9776842	Punch Drive Crank	2
5	9777213	Punch Gearmotor (115 V)	1
	9776944	Punch Gearmotor (240 V)	1
6	9776610	Punch Shaft Bearing	1
7	9776313	6/32 X 1/4 Screw	1
8	1926005	#6 Lock Washer (was 9776312)	1
9	1925119	#6 Flat Washer (was 9776311)	1
10	9776310	Lever Arm	1
11	9776309	Spring	1
12/13/14/15	9776316	115 VAC Solenoid Kit	1
	9776317	240 VAC Solenoid Kit	1
16	9776314	Hub Set Screw	1
17	9776308	Brake Hub	1

**NOTE: "DETAIL A" SHOWS PUNCH MOTOR BRAKE COMPONENTS ASSEMBLED.**

## 8.0 PARTS LISTS

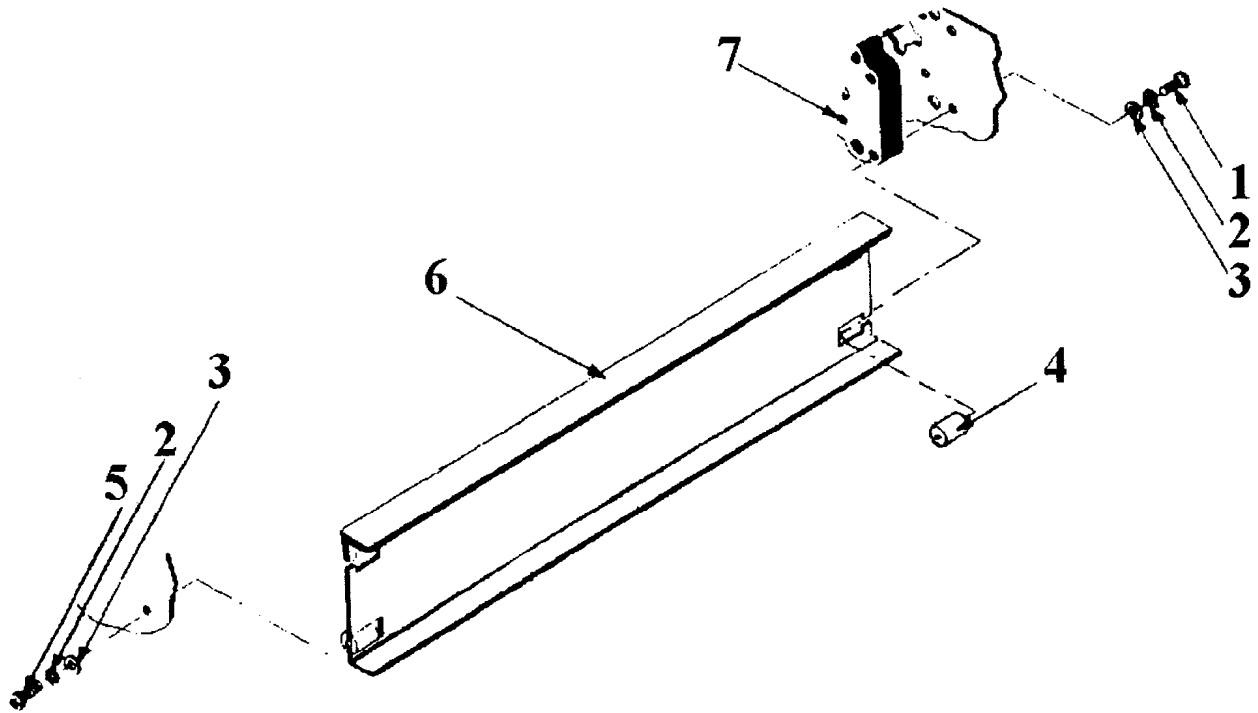


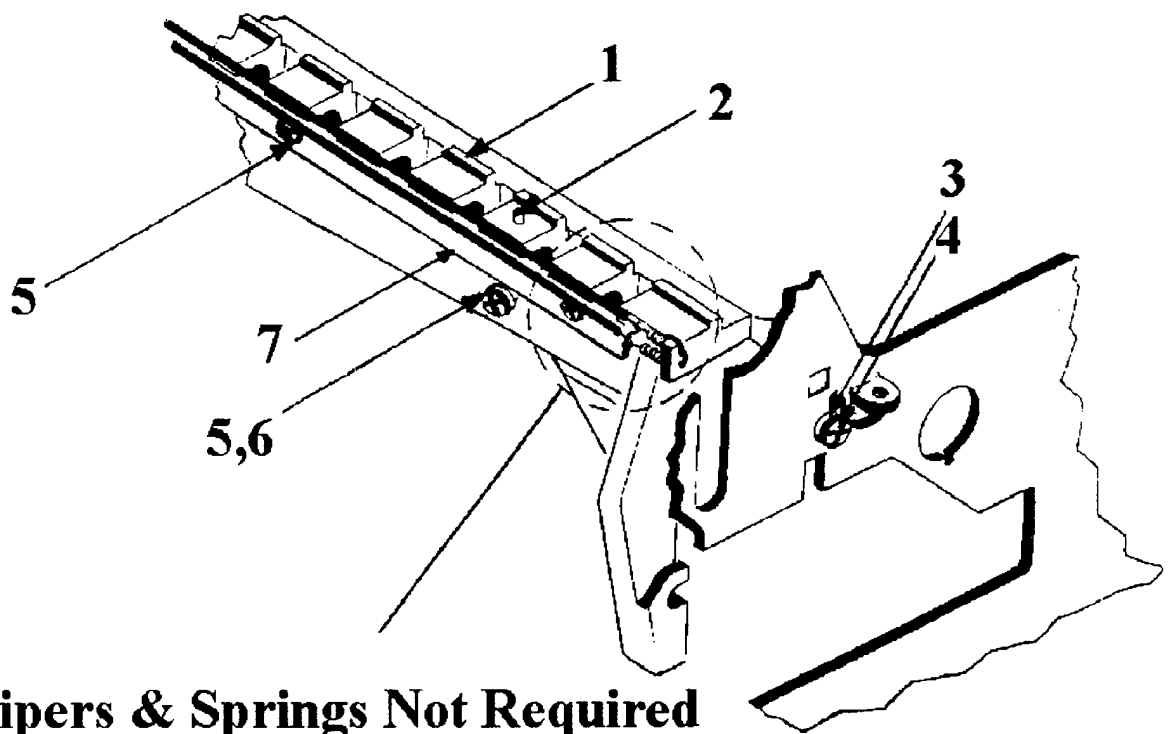
Figure 8-9

## 8.0 PARTS LISTS

**FIGURE 8-9 - SUPPORT ASSEMBLY PART NUMBER GUIDE**

<b>ITEM #</b>	<b>PART NUMBER</b>	<b>DESCRIPTION</b>	<b>QTY</b>
1	1900533	8/32 X 1-1/4 Socket Screw - was 9779134	2
2	1926003	#8 Lock Washer - was 9779911	4
3	1925008	#8 Flat Washer - was 9779898	4
4	9776927	Round Slotted Nut	4
5	1900575	8/32 X 3/4 Socket Screw - was 9779132	2
6	9776935	Gearbox Support	1
7	9776389	Punch Motor Adaptor	1

## 8.0 PARTS LISTS



**Wipers & Springs Not Required**

**Figure 8-10**

## 8.0 PARTS LISTS

**FIGURE 8-10 - BRIDGE ASSEMBLY PART NUMBER GUIDE**

ITEM #	PART NUMBER	DESCRIPTION	QTY
1	9776700	Bridge (VeloBind)	1
	9781597	Bridge (SureBind)	1
2	9778689	Locating Pin	1
	9781894	Locating Pin (SureBind)	1
3	1926003	#8 Lock Washer - was 9779911	2
4	1907829	8/32 X 1/2 Phillips Screw - was 9779222	2
5	1907839	10/32 X 1/2 Phillips Screw - was 9781895	5
6	1925803	#8 Star Washer - was 9779923	1
7	9776731	Stripper Bracket (VeloBind)	1
	9781596	Stripper Bracket (SureBind)	1

8.0 PARTS LISTS

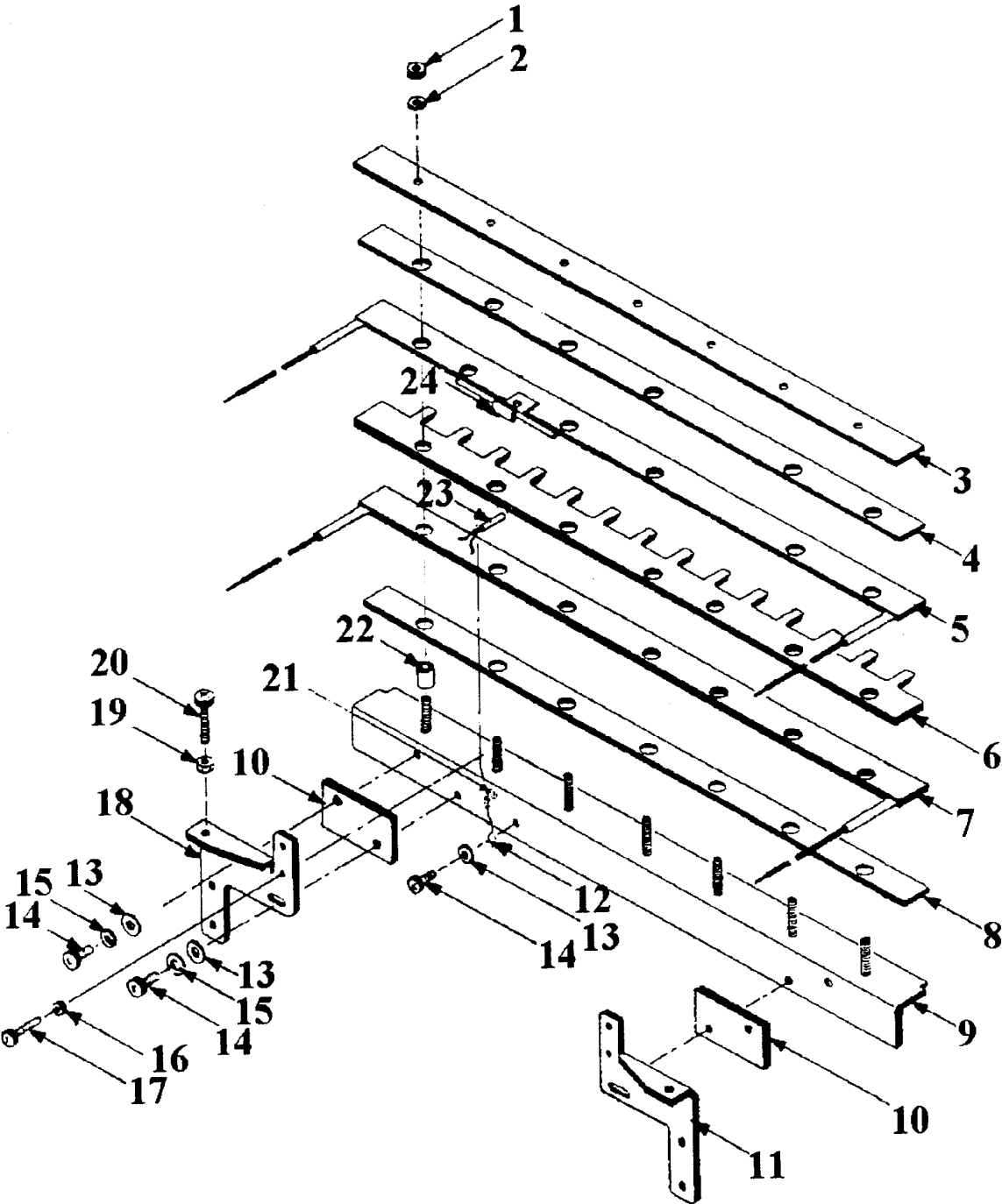


Figure 8-11

## 8.0 PARTS LISTS

**FIGURE 8-11 - KNIFE ASSEMBLY PART NUMBER GUIDE**

ITEM #	NEW PART NUMBER	DESCRIPTION	QTY
1	1926707	6/32 Hex Nut - was 9778588	7
2	1926005	#6 Lock Washer - was 9779910	7
3	9778754	Knife Heater Plate	1
4	9778289	Insulator	1
5	9778217	Upper Heater	1
	9781620	100 VAC Upper Heater	1
6	9776713	Knife Blade - VeloBind	1
	9781601	Knife Blade - SureBind	1
7	9778226	Lower Heater	1
	9781619	100 VAC Lower Heater	1
8	9778289	Insulator	1
9	9776705	Heater Support	1
10	9778294	Bracket Insulator	2
11	9776704	Left Heater Bracket	1
12	9779089	Thermistor Retainer	1
13	1925008	#8 Flat Washer - was 9779898	5
14	1902809	8/32 X 1/2 Screw - was 9779175	5
15	1926003	#8 Lock Washer - was 9779911	4
16	1926711	4/40 Hex Nut - was 9778587	2
17	1900023	4/40 X 3/4 Set Screw - was 9781615	2
18	9776703	Right Heater Bracket	1
19	1926701	8/32 Hex Nut - was 9778589	2
20	1902806	8/32 X 5/8 Screw - was 9779177	2
21	1954422	Teflon Sleeve - was 9781237	1
22	9778296	Ceramic Insulator	7
23	9781354	Thermistor	1
24	9781812	Cut-Off Thermostat	1
	9781645	Cable Clamps (not shown)	2

## 8.0 PARTS LISTS

### 100/115 VOLT KNIFE WIRING

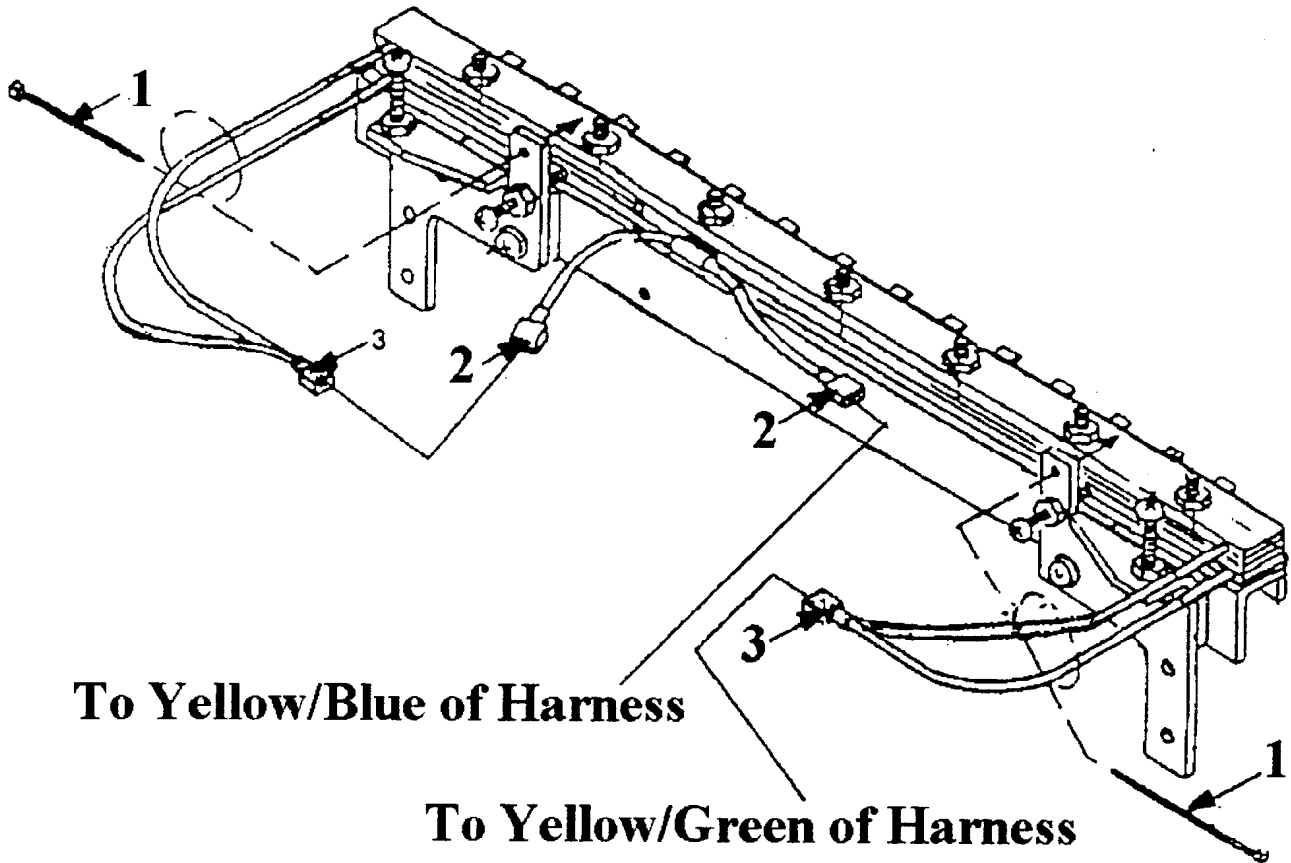


Figure 8-12

#### KNIFE WIRING PART NUMBER GUIDE

ITEM #	PART #	DESCRIPTION	QTY
1	1932121	Cable Tie (was 9779396)	2
2	1940802	Insulated Terminal (was 9779385)	1
2A	1950122	Insulated Terminal	1
3	1950123	Insulated Terminal (was 9780158)	2

## 8.0 PARTS LISTS

### 230 VOLT KNIFE WIRING

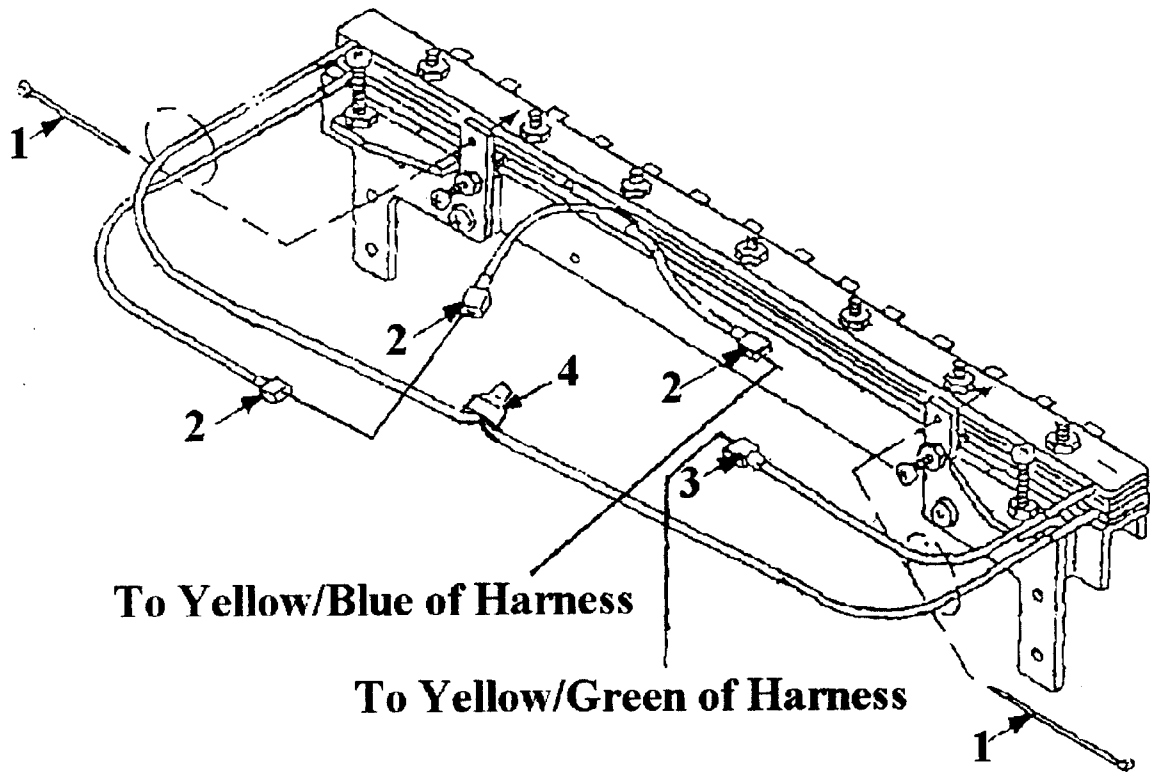


Figure 8-13

### KNIFE WIRING PART NUMBER GUIDE

ITEM #	PART #	DESCRIPTION	QTY
1	1932121	Cable Tie (was 9779396)	2
2	1940802	Insulated Terminal (was 9779385)	1
3	1950122	Insulated Terminal (was 9780158)	3
4	1940101	Splice Connector (was 9776789)	1

# 8.0 PARTS LISTS

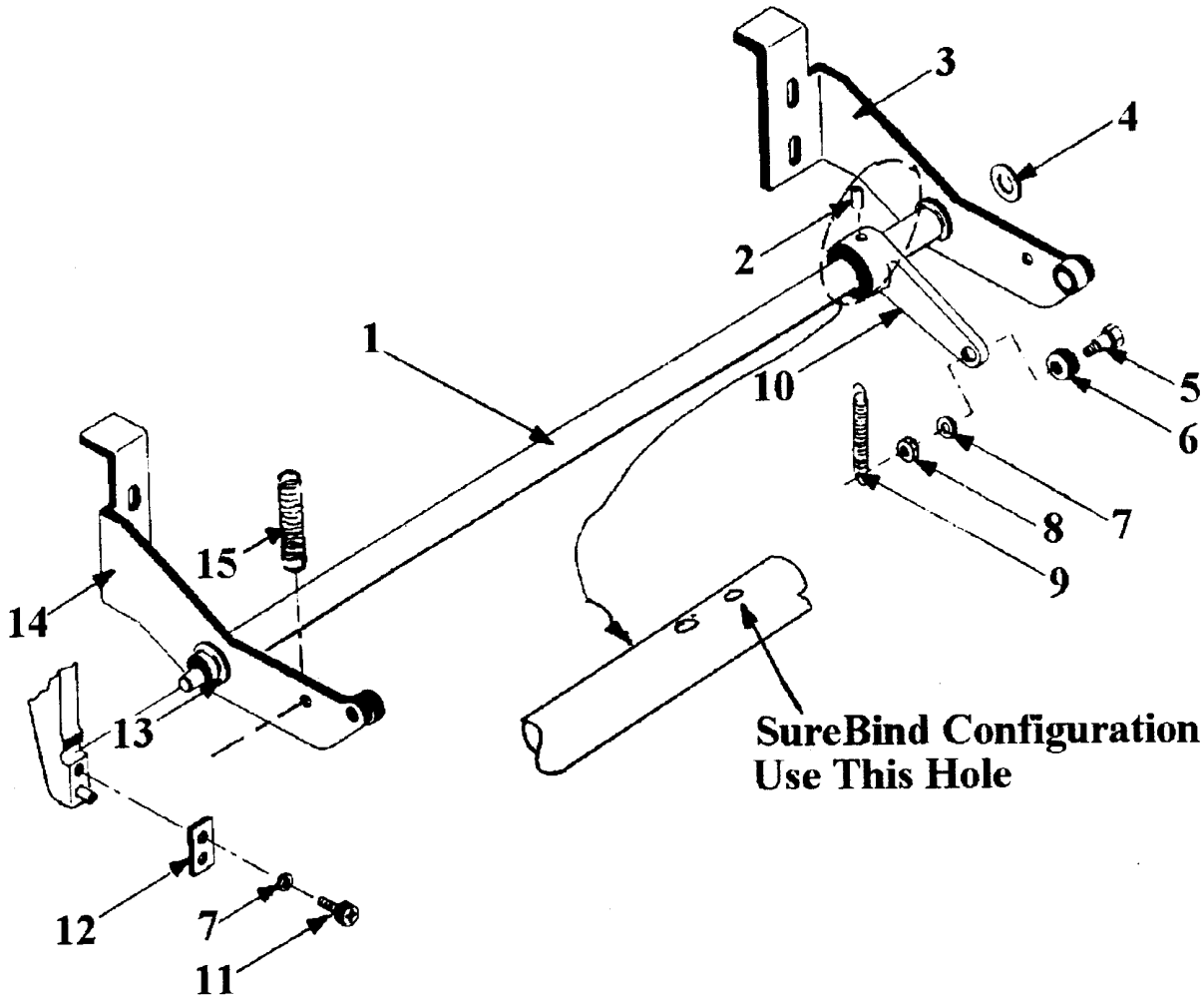


Figure 8-14

## 8.0 PARTS LISTS

**FIGURE 8-14 - CUTTER ARM/SHAFT PART NUMBER GUIDE**

ITEM #	PART NUMBER	DESCRIPTION	QTY
N/A	N/A	Cutter Arm Shaft Assembly (Includes Items 1, 2, 5-8, and 10)	1
1	9779235	Cutter Arm Shaft	1
2	9778666	Roll Pin	1
3	9776383	Right Cutter Arm Assembly	1
4	9778766	Teflon Washer	2
5	9779346	Shoulder Screw	2
6	9779084	Roller	1
7	9779911	#8 Lock Washer	3
8	9778589	8/32 Hex Nut	1
9	9779260	Extension Spring	1
10	9776376	Extruder Arm	1
11	9779222	8/32 X 1/2 Screw	2
12	9778751	Retaining Plate	2
13	9779072	E-Ring	4
14	9776384	Left Cutter Arm Assembly	1
15	9779278	Extension Spring	2

## 8.0 PARTS LISTS

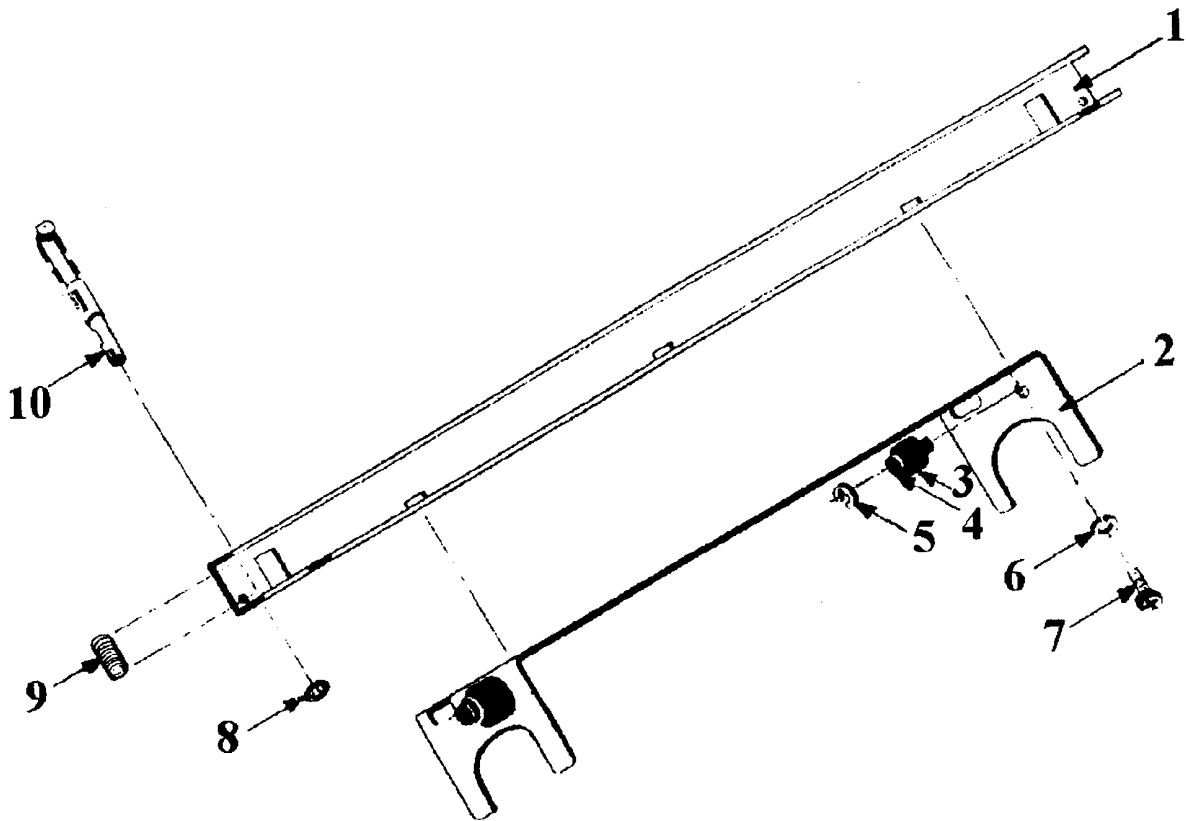


Figure 8-15

## 8.0 PARTS LISTS

**FIGURE 8-15 - COOLING FINGER/BRACKET PART NUMBER GUIDE**

ITEM #	PART NUMBER	DESCRIPTION	QTY
1	9776845	Cooling Finger Channel (VeloBind)	1
	9781593	Cooling Finger Channel (SureBind)	1
2	9780060	Cooling Bracket (VeloBind)	1
	9781594	Cooling Bracket (SureBind)	1
3	9779084	Roller	2
4	9779091	Rivet	2
5	9779077	C-Clip	2
6	9779910	#6 Lock Washer	2
7	9779172	6/32 X 3/8 Screw	2
8	9776950	Retaining Ring - VB/SB	14/12
9	9779272	Cooling Finger Spring - VB/SB	14/12
10	9778687	Cooling Finger - VB/SB	14/12

**8.0 PARTS LISTS**

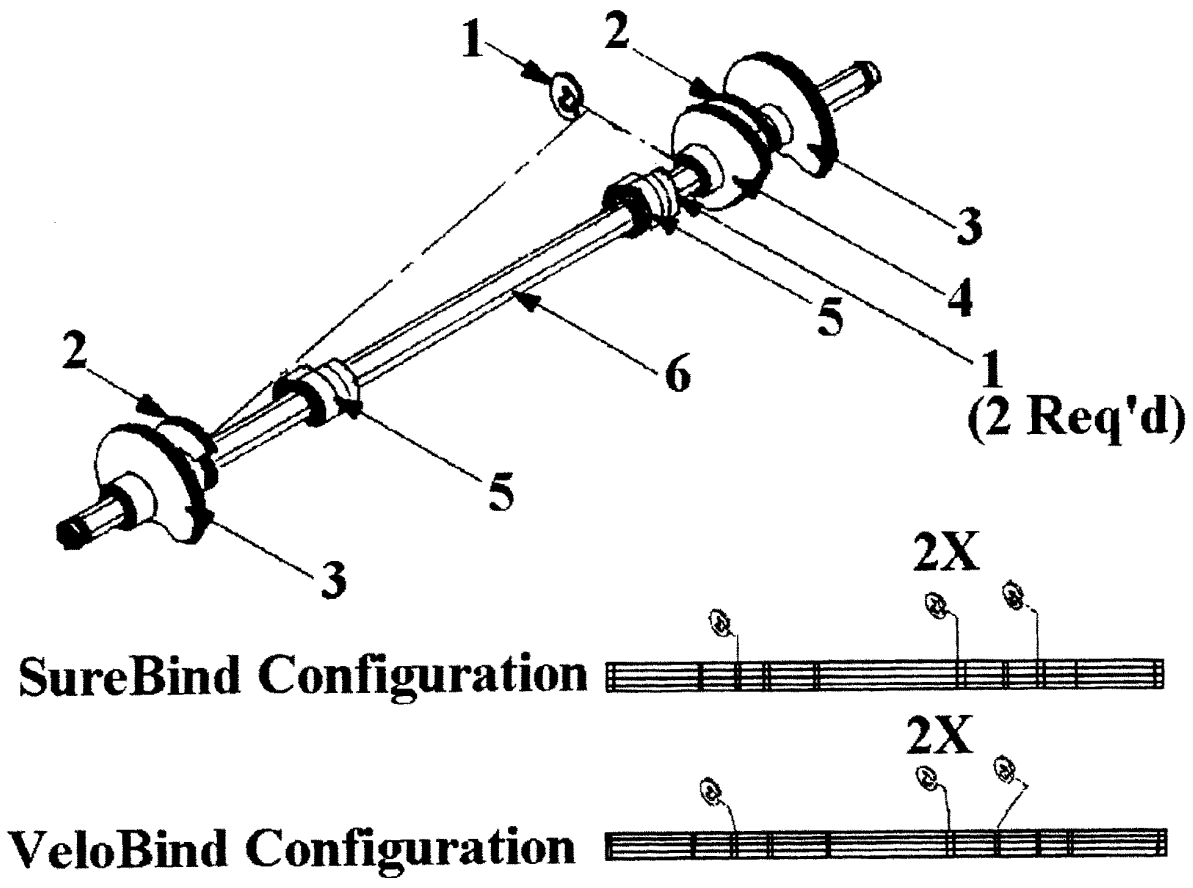


Figure 8-16

## 8.0 PARTS LISTS

**FIGURE 8-16 - CAM SHAFT ASSEMBLY PART NUMBER GUIDE**

<b>ITEM #</b>	<b>PART NUMBER</b>	<b>DESCRIPTION</b>	<b>QTY</b>
1	9779072	E-Ring	4
2	9776840	Cutter Cam - VeloBind	2
	9781757	Cutter Cam - SureBind	2
3	9776959	Pressure Cam	2
4	9776841	Extruder Cam	1
5	9779865	Cooling Cam	2
6	9779234	Cam Shaft	1

# 8.0 PARTS LISTS

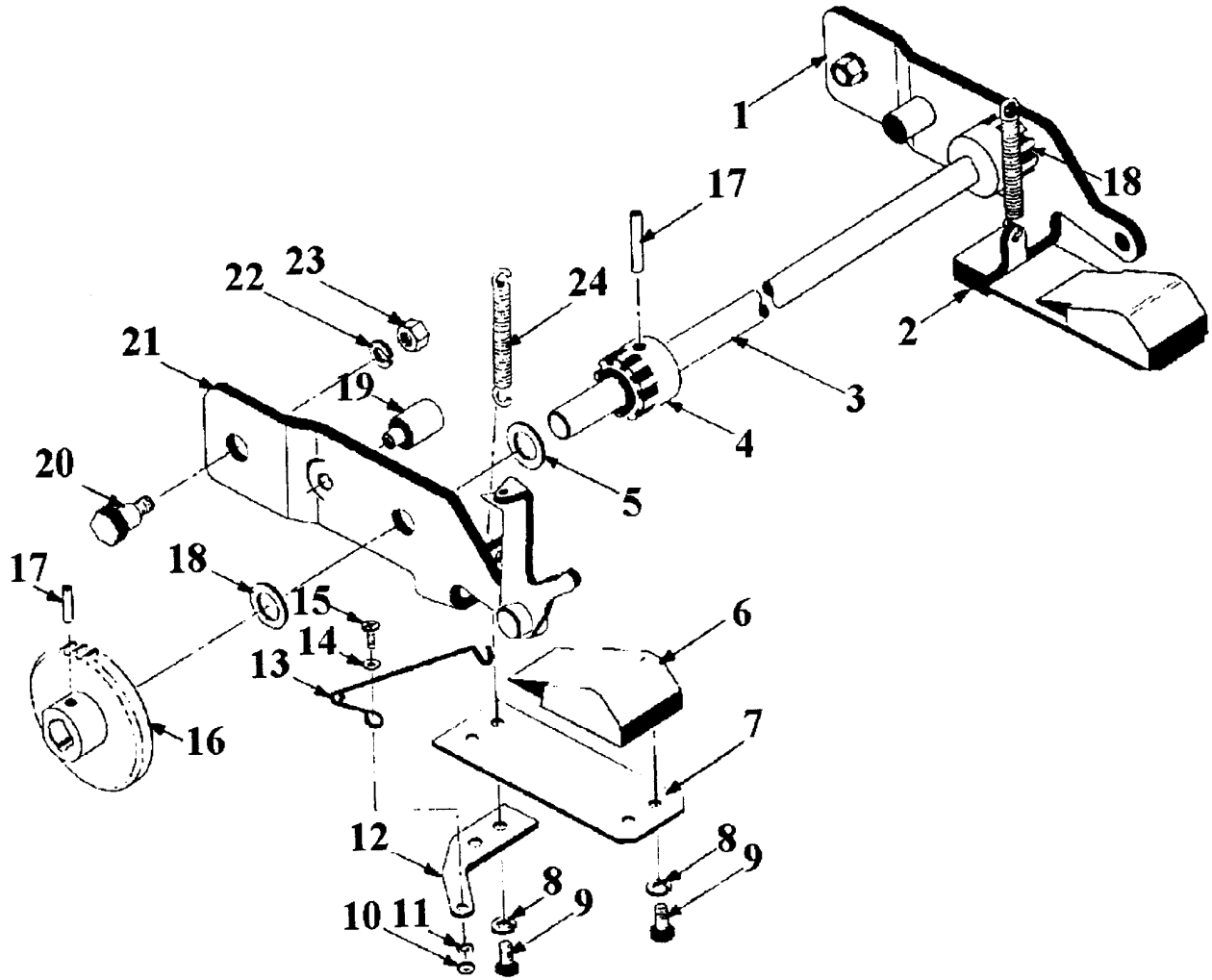


Figure 8-17

## 8.0 PARTS LISTS

**FIGURE 8-17 - PIVOT SPRINGS/TIMING SHAFT PART NUMBER GUIDE**

<b>ITEM #</b>	<b>NEW PART NUMBER</b>	<b>DESCRIPTION</b>	<b>QTY</b>
N/A	9778775	Left Pivot Spring Assembly	1
N/A	9778776	Right Pivot Spring Assembly	1
N/A		Timing Shaft Assembly	1
1	9778740	Right Pivot Plate	1
2	9779088	Retainer Plate	1
3	9779240	Timing Shaft	1
4	9778765	Pinion Gear	2
5	9779256	Spacer	2
6	9776847	Cam Follower	2
7	9779263	Flat Spring	2
8	9779910	#6 Lock Washer	8
9	9779219	6/32 X 3/8 Phillips Screw	8
10	9778587	4/40 Hex Nut	1
11	9779909	#4 Lock Washer	1
12	9779087	Retainer	1
13	9779280	Pawl Spring	1
14	9779896	#4 Flat Washer	1
15	9779118	4/40 X 3/8 Socket Screw	1
16	9779085	Ratchet	1
17	9778665	Roll Pin	3
18	9779255	Spacer	2
19	9779059	Guide Rivet	2
20	9779337	Shoulder Screw	2
21	9778741	Left Pivot Plate	1
22	9779913	1/4 Lock Washer	2
23	9778591	1/4-20 Hex Nut	2
24	9779274	Spring	2

## 8.0 PARTS LISTS

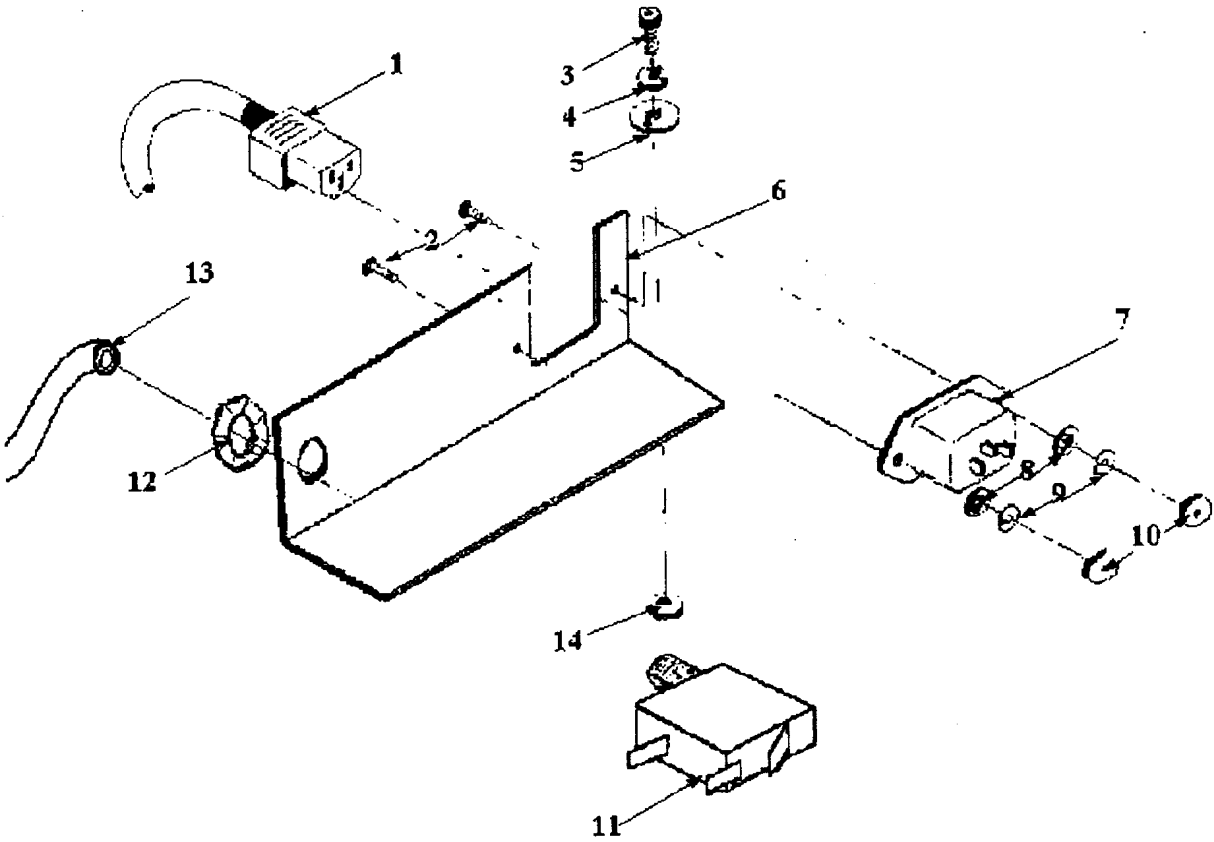


Figure 8-18

## 8.0 PARTS LISTS

**FIGURE 8-18 - INTERLOCK BRACKET ASSEMBLY PART NUMBER GUIDE**

ITEM #	NEW PART NUMBER	DESCRIPTION	QTY
1	9781344	115 Volt Power Cord	1
	9781345	240 Volt Power Cord	1
	9777387	Power Cord (France)	1
2	9779185	4/40 X 5/8 Phillips Screw	2
3	9779136	10/24 X 5/8 Socket Screw	2
4	9779912	#10 Lock Washer	2
5	9779899	#10 Flat Washer	2
6	9776733	Interlock Bracket	1
7	9781883	Receptacle	1
	9781860	Fuse, 5 Amp, 5 X 20 mm, 250V	1
	9781859	Fuse, 10 Amp, 5 X 20mm, 250V	1
8	9779896	#4 Flat Washer	2
9	9779909	#4 Lock Washer	2
10	9778587	4/40 Hex Nut	2
11	9781861	Foot Pedal Switch	1
12	N/A	Nut for Foot Pedal Switch	1
13	9781862	Foot Pedal	1
14	9778590	10/24 Hex Nut	2