

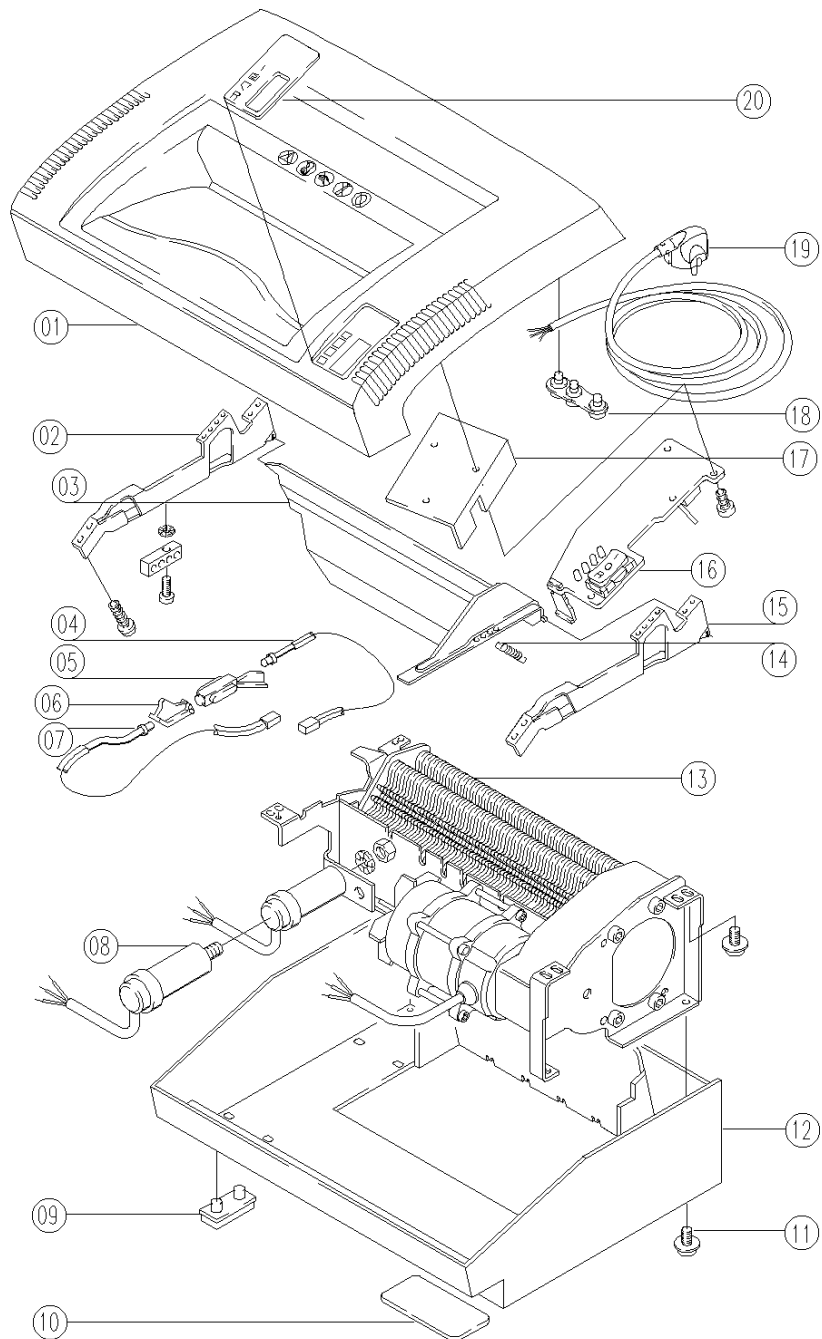


5220S/5230S/5260X PARTS LIST



GBC IS AN ACCO BRANDS COMPANY

Section 8.0 5220S/5230S/5260X. Parts List
5220S/5230S Exploded View
Figure 8.1



Section 8.0 5220S/5230S/5260X. Parts List
5220S/5230S Exploded View Parts List
Figure 8.1

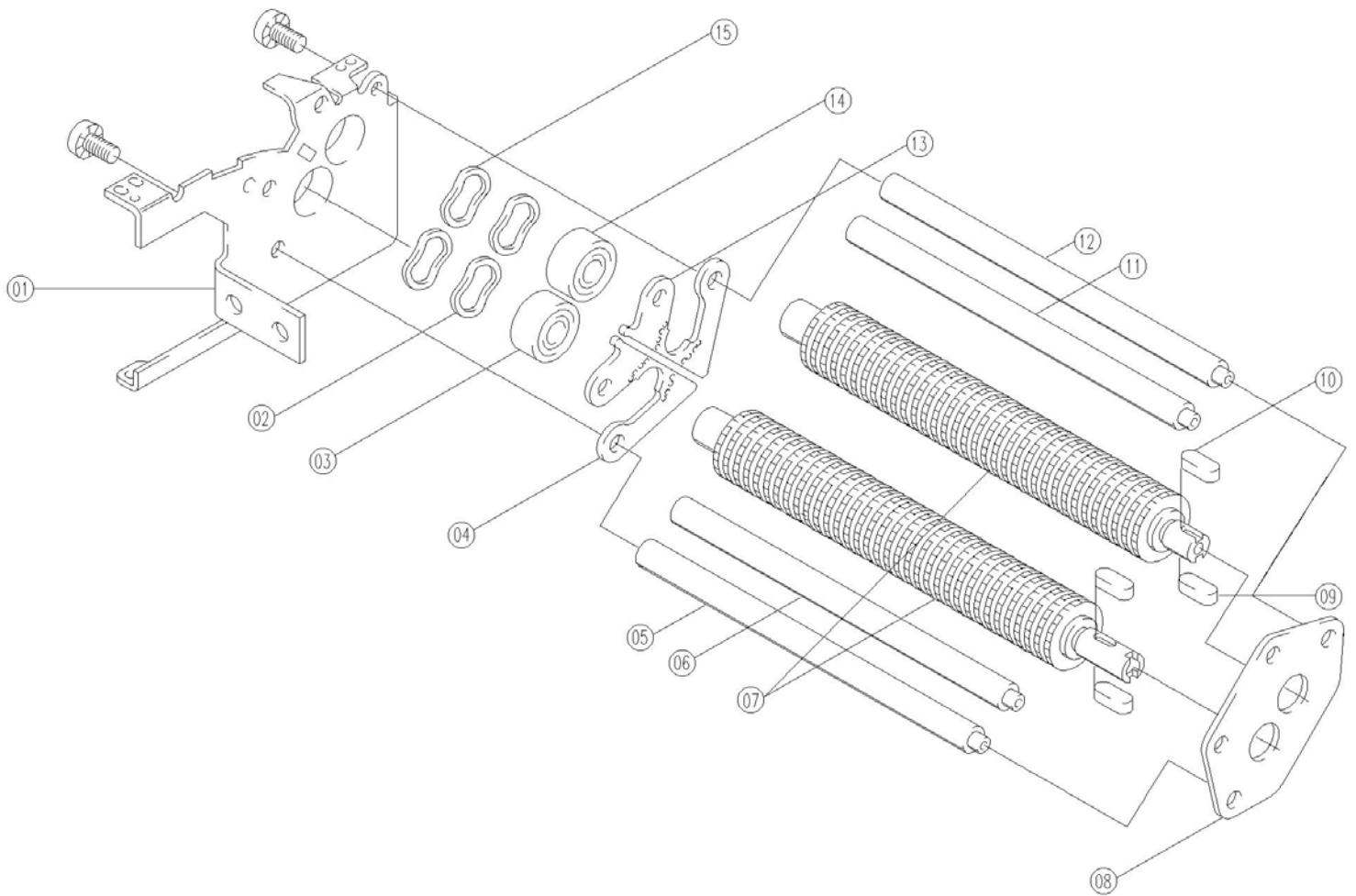
				QTY	
*			Warning Label		1
*			Warning Label	1	
20	1752156	5200 011	Icon Name Plate		1
20	1752737	5200 012	Icon Name Plate	1	
19			Power Cord (Europe)		1
19	1751206	9001 002	Power Cord	1	
18	1751207	2201 037	Power Cord, Support Strap	1	1
17	1752708	4200 022	Insulator	1	1
16	1752147	4200 230	Control Board Assy		1
16	1752126	4200 115	Control Board Assy	1	
15	1752707	4200 020	Support Bracket	1	1
14	1752731	2401 510	Bag Flap Spring		
13	1752157	5200 030	Cutting Head Assy		1
13	1752736	5200 036	Cutting Head Assy	1	
X	1752730	9003 763	Insulation Pads, Exterior (Not Shown)	6	6
12	1752735	5200 580	Bottom Housing	1	1
11	1752704	9002 896	Bottom Housing Screw		
10	1752703	4200 021	Sensor Plate	1	1
9	1751255	9001 920	Rubber Foot	4	4
8	1752149	9003 744	Capacitor		1
8	1752702	9003 743	Capacitor	1	
7	1752127	9003 742	Cable For Photo Cell	1	1
6	1751960	2401 010	Transmitter Assembly	1	1
5	1751959	2000 012	Receiver Assembly	1	1
4	1752128	9003 741	Cable For Photo Cell	1	1
3	1752734	5200 046	Bag Full Flap	1	1
2	1752707	4200 020	Support Bracket	1	1
1	1752733	5200 005	Upper Cover	1	1
ITEM	PRT NO.	REF. NO.	DESCRIPTION	115V	230V

* Not shown located on the bottom cover

Section 8.0 5220S/5230S/5260X. Parts List
5220S/5230S Exploded View Parts List
Figure 8.2

				QTY	
15	1752158	3802 050	Cutting Head Complete		1
15	1752739	3802 070	Cutting Head Complete	1	
14	1751297	9001 625	Bearings	4	4
13	1752738	5200 073	Support Plate	1	1
12	1751272	2601 107	Reinforcement Plate, Inner	1	1
11	1752713	2205 513	Cutter Gear Washer	1	1
10	1751282	9002 513	Torx Head Screw (T-30)	1	1
9	1751283	2601 087	Gear Assembly With Buffer And Clutch	1	1
8	1751275	2601 099	Pin	1	1
7	1751223	2601 042	Washer	1	1
6	1751282	9002 513	Torx Head Screw (T-30)	1	1
5	1751288	2601 103	R.H Side Plate	1	1
4	1751284	2601 062	Double Drive Gear	1	1
3	1751274	2601 059	Cutter Gear Set	1	1
2	1751269	2601 100	Gear Box Housing	1	1
1	1752144	9002 530	Motor With Fan		1
1	1751268	9002 607	Motor With Fan	1	
ITEM	PRT NO.	REF. NO.	DESCRIPTION	115V	230V

Section 8.0 5220S/5230S/5260X. Parts List
5220S/5230S Exploded View
Figure 8.3



Section 8.0 5220S/5230S/5260X. Parts List
5220S/5230S Exploded View Parts List
Figure 8.3

				QTY	
15	1751296	9002 500	Wavy Washer	2	2
14	1751297	9002 045	Bearing	1	1
13	1752145	2601 110	Stripper/4mm		x
13	1752718	4200 110	Stripper/6mm	x	
12	1752716	3802 040	Stripper Support Rod	1	1
11	1752716	3802 040	Stripper Support Rod	1	1
10	1751304	9001 583	Key	2	2
9	1751305	9001 584	Key	2	2
8	1751306	2601 106	Reinforcement Plate, Outer	1	1
7	1752159	3802 404	Cutter Set		1
7	1752740	5200 404	Cutter Set	1	
6	1752716	3802 040	Stripper Support Rod	1	1
5	1752716	3802 040	Stripper Support Rod	1	1
4	1752145	2601 110	Stripper/4mm		x
4	1752718	4200 110	Stripper/6mm	x	
3	1751297	9002 045	Bearing	1	1
2	1751296	9002 500	Wavy Washer	2	2
1	1751295	2601 021	Mounting Bracket	1	1
ITEM	PRT NO.	REF. NO.	DESCRIPTION	115V	230V

**Section 8.0 5220S/5230S/5260X. Parts List
5260X Exploded View**

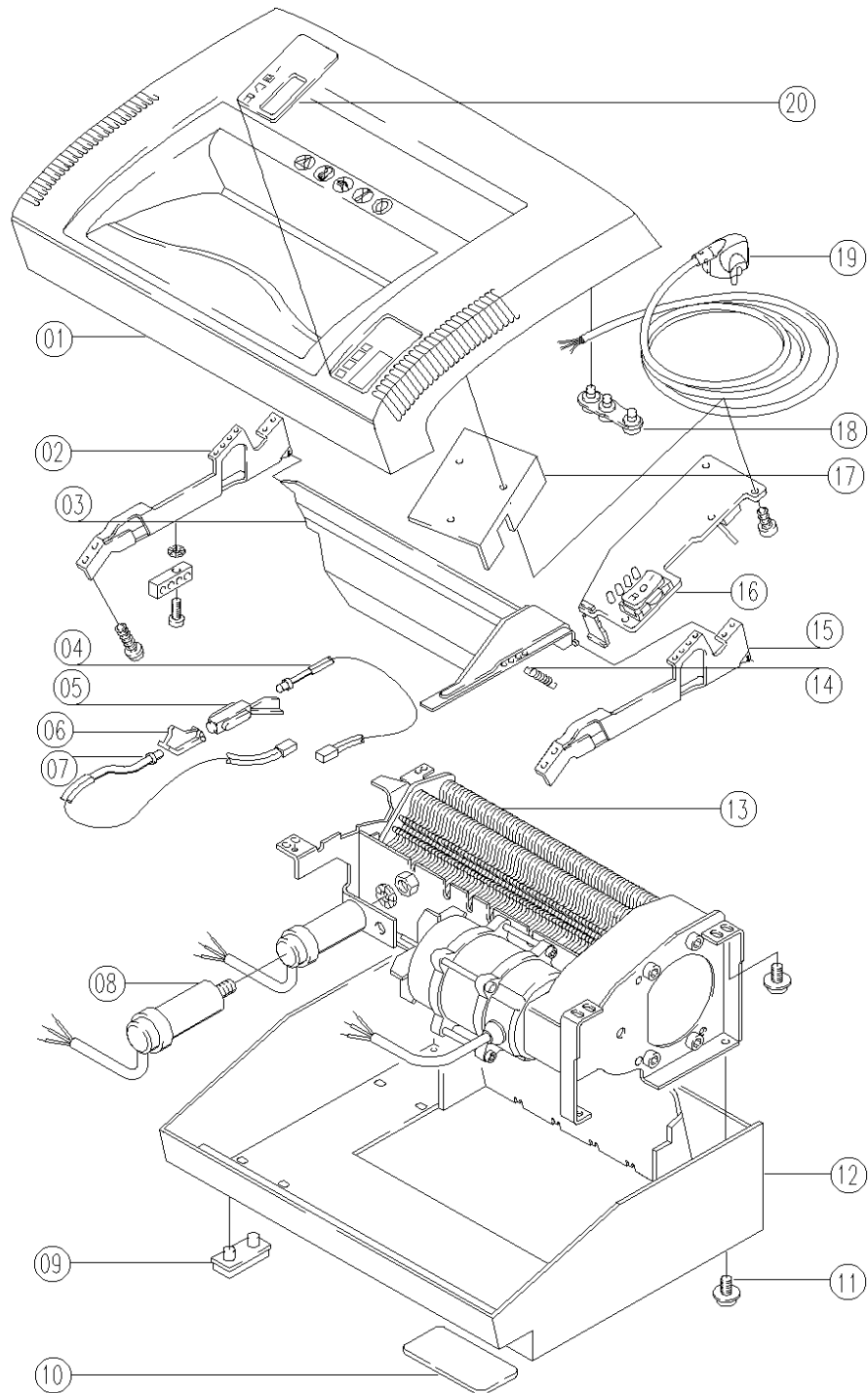


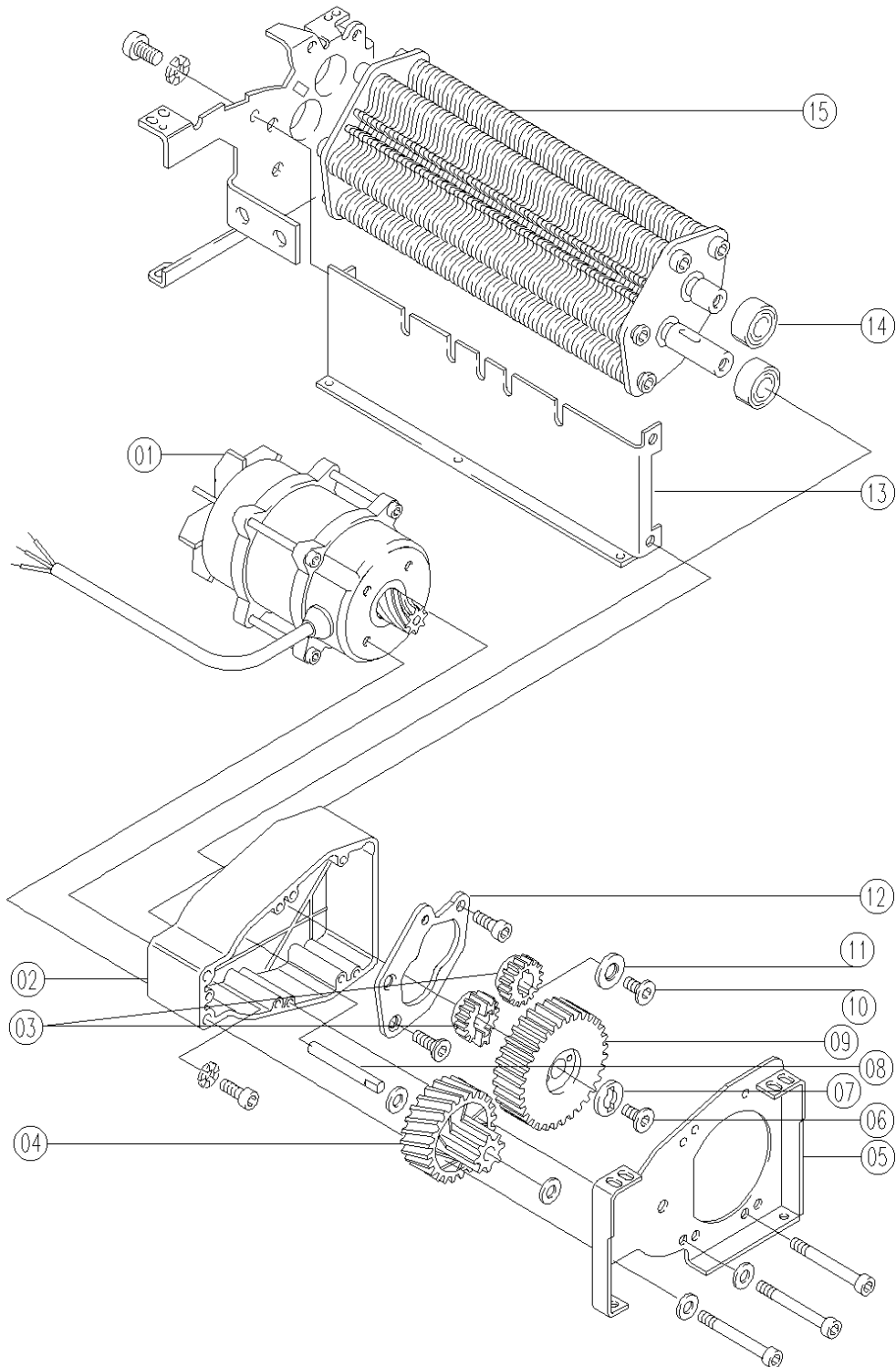
Figure 8.4

Section 8.0 5220S/5230S/5260X. Parts List
5260X Exploded View Parts List
Figure 8.4

				QTY	
ITEM	PRT NO.	REF. NO.	DESCRIPTION	115V	230V
*			Warning Label		1
*			Warning Label	1	
20	1752742	5200 014	Icon Name Plate	1	1
19			Power Cord (Europe)		1
19	1751206	9001 002	Power Cord	1	
18	1751207	2201 037	Power Cord, Support Strap	1	1
17	1752708	4200 022	Insulator	1	1
16	1752147	4200 230	Control Board Assy		1
16	1752126	4200 115	Control Board Assy	1	
15	1752707	4200 020	Support Bracket	1	1
14	1752731	2401 510	Bag Flap Spring	1	1
13	1753091	5200 530	Cutting Head Assy		1
13	1752741	5200 331	Cutting Head Assy	1	
x	1752730	9003 763	Insulation Pads, Exterior (Not Shown)	6	6
12	1751225	5200 580	Bottom Housing	1	1
11	1752704	9002 896	Bottom Housing Screw	x	x
10	1752703	4200 021	Sensor Plate	1	1
9	1751255	9001 920	Rubber Foot	4	4
8	1752149	9003 744	Capacitor		1
8	1752702	9003 743	Capacitor	1	
7	1752127	9003 742	Cable For Photo Cell	1	1
6	1751960	2401 010	Transmitter Assembly	1	1
5	1751959	2000 012	Receiver Assembly	1	1
4	1752128	9002 741	Cable For Photo Cell	1	1
3	1752734	5200 046	Bag Full Flap	1	1
2	1752707	4200 020	Support Bracket	1	1
1	1752733	5200 005	Upper Cover	1	1

* Not shown located on the bottom cover

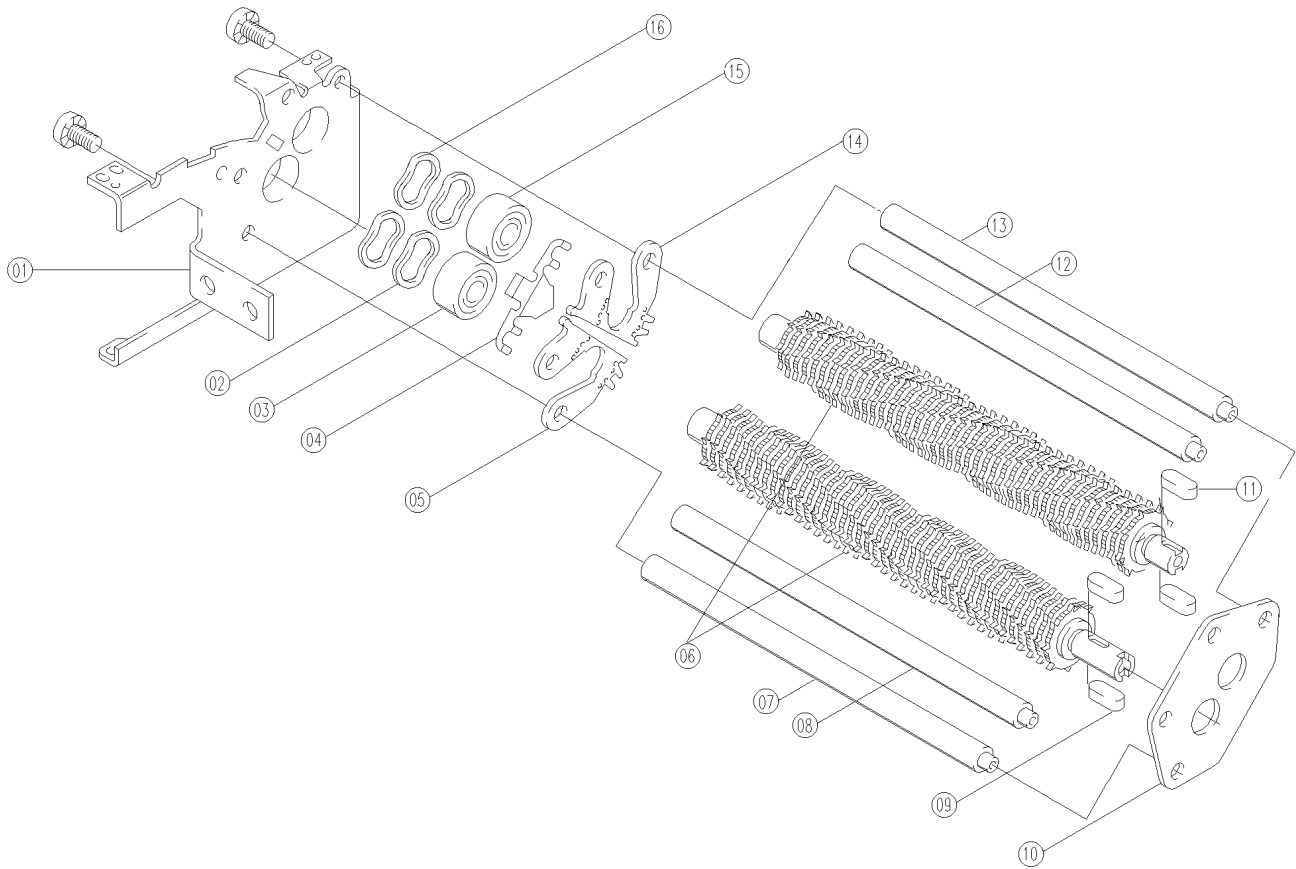
Section 8.0 5220S/5230S/5260X. Parts List
5260X Exploded View
Figure 8.5



Section 8.0 5220S/5230S/5260X. Parts List
5260X Exploded View Parts List
Figure 8.5

				QTY	
15	1752743	5200 320	Cutting Head Complete	1	1
14	1751297	9001 625	Bearings	4	4
13	1752738	5200 073	Support Plate	1	1
12	1751272	2601 107	Reinforcement Plate, Inner	1	1
11	1752713	2205 513	Cutter Gear Washer	1	1
10	1751282	9002 513	Torx Head Screw (T-30)	1	1
9	1751283	2601 087	Gear Assembly With Buffer And Clutch	1	1
8	1751275	2601 099	Pin	1	1
7	1751223	2601 042	Washer	1	1
6	1751282	9002 513	Torx Head Screw (T-30)	1	1
5	1751288	2601 103	R.H Side Plate	1	1
4	1751284	2601 062	Double Drive Gear	1	1
3	1751274	2601 059	Cutter Gear Set	1	1
2	1751269	2601 100	Gear Box Housing	1	1
1	1752155	9002 509	Motor With Fan		1
1	1752185	9002 511	Motor With Fan	1	
ITEM	PRT NO.	REF. NO.	DESCRIPTION	115V	230V

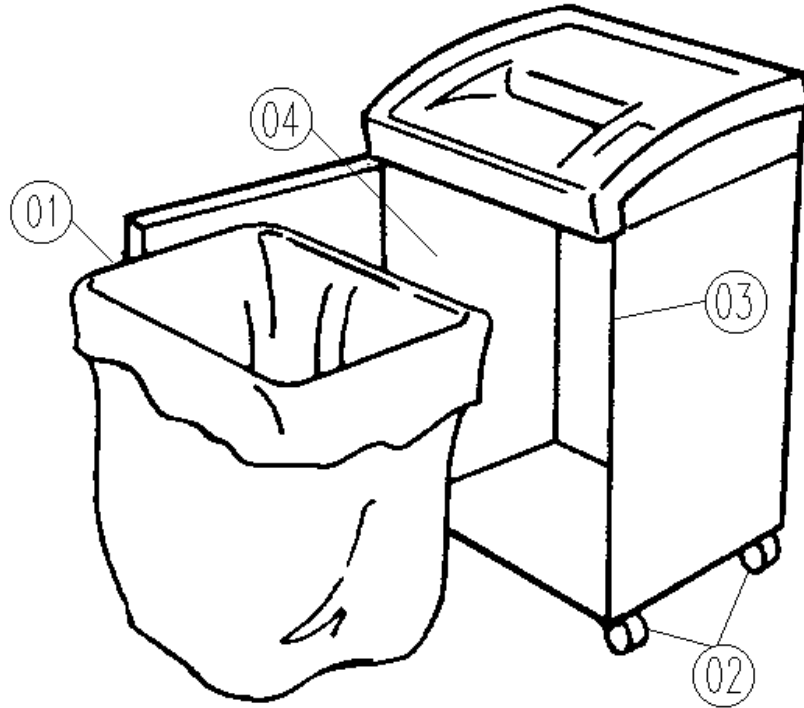
Section 8.0 5220S/5230S/5260X. Parts List
5260X Exploded View
Figure 8.6



Section 8.0 5220S/5230S/5260X. Parts List
5260X Exploded View Parts List
Figure 8.6

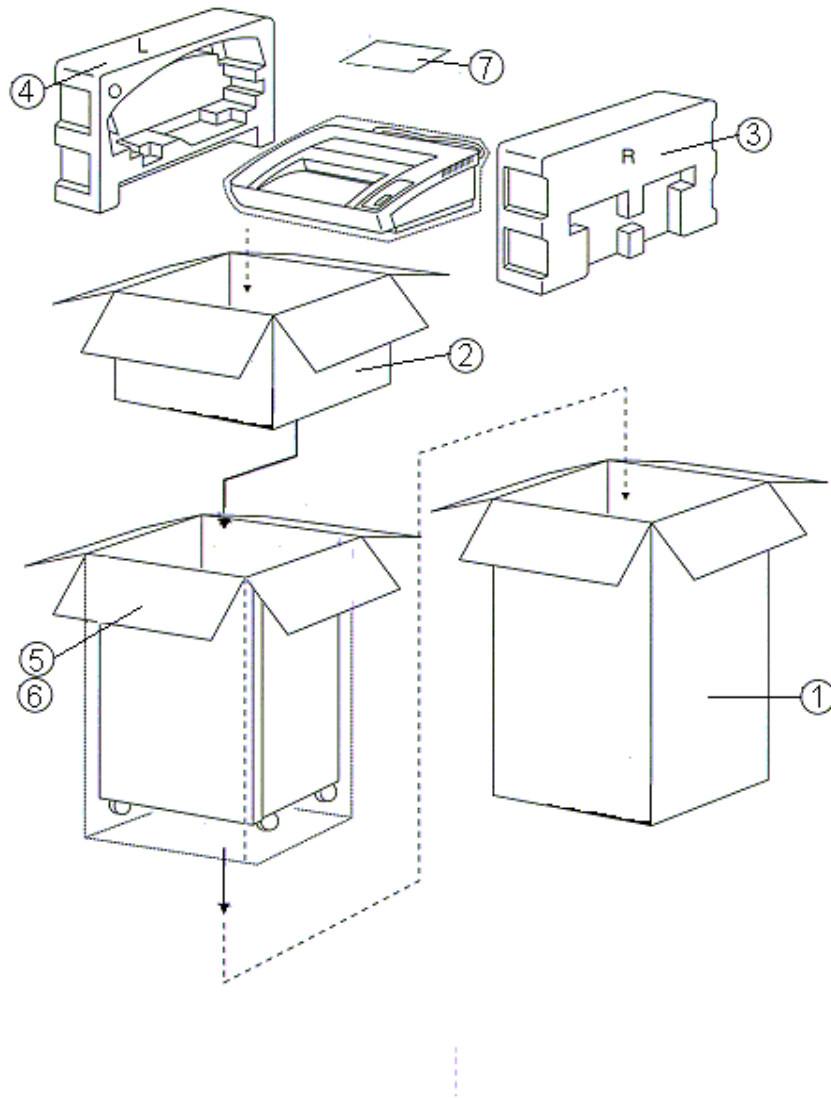
				QTY	
16	1751296	9002 500	Wavy Washer	2	2
15	1751297	9002 045	Bearing	1	1
14	1752719	2601 520	Stripper, For 4 X 40mm	x	x
13	1751325	3802 040	Stripper Support Rod	1	1
12	1751325	3802 040	Stripper Support Rod	1	1
11	1751304	9001 583	Key	2	2
10	1751306	2601 106	Reinforcement Plate, Outer	1	1
9	1751305	9001 584	Key	2	2
8	1751325	3802 040	Stripper Support Rod	1	1
7	1751325	3802 040	Stripper Support Rod	1	1
6	1752721	5200 315	Cutter Set, 4 X 40mm	1	1
5	1752719	2601 520	Stripper, For 4 X 40mm	x	x
4	1751298	2601 006	Retainer	2	2
3	1751297	9002 045	Bearing	1	1
2	1751296	9002 500	Wavy Washer	2	2
1	1751295	2601 021	Mounting Bracket	1	1
ITEM	PRT NO.	REF. NO.	DESCRIPTION	115V	230V

Section 8.0 5220S/5230S/5260X. Parts List
5220S/5230S/5260X. Cabinet Exploded View
Figure 8.7



*	1752749		Cabinet Door	1	1
4	1752242		Cabinet Complete	1	1
3	1760042		Magnet	2	2
2	1752244		Castor	4	4
1	1752243		Bag Rim	1	1
ITEM	PRT NO.	REF. NO.	DESCRIPTION	115V	230V

Section 8.0 5220S/5230S/5260X. Parts List
5220S/5230S/5260X. Packaging Exploded View
Figure 8. 8



				QTY	
8			Operator Manual, International		1
7	1751956		Operator Manual, U.S	1	
6	1752748		Honey Comb Insert Complete, Cabinet Box	1	1
5	1752747		Cabinet Box	1	1
4	1752725		Styrofoam L.H, Shredder Head	1	1
3	1752724		Styrofoam R.H, Shredder Head	1	1
2	1752746		Shredder Head Carton	1	1
1	1752745		Master Carton	1	1
ITEM	PRT NO.	REF. NO.	DESCRIPTION	115V	230V