



# 520 VB PARTS LIST

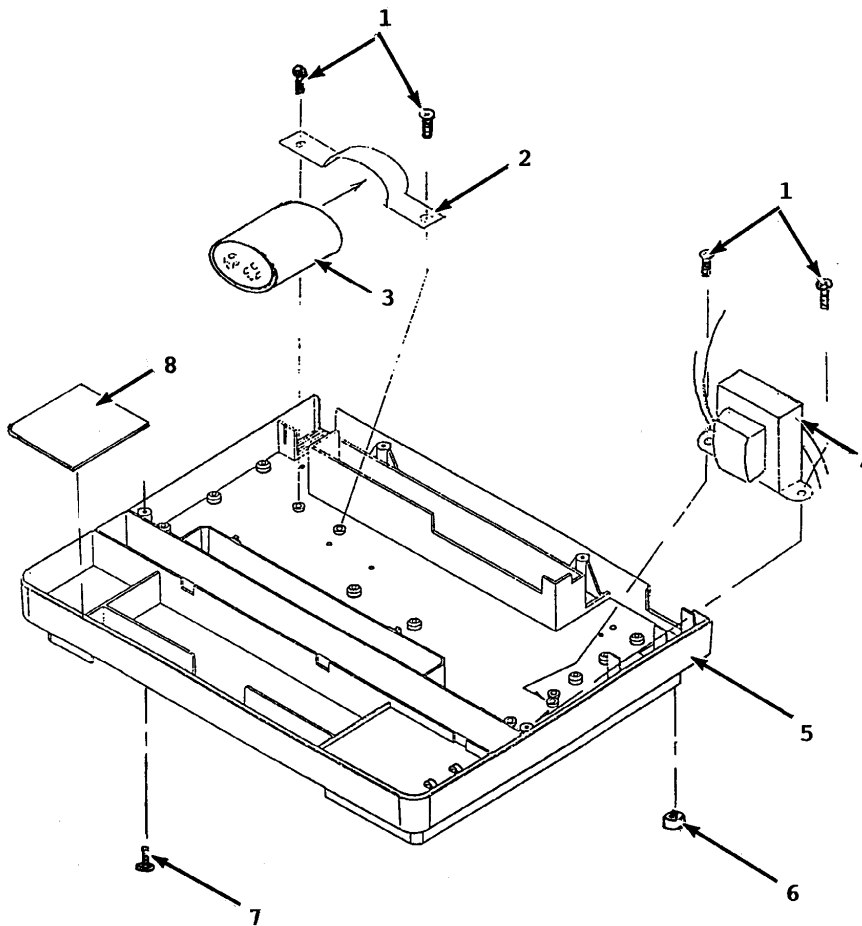


GBC IS AN ACCO BRANDS COMPANY

# 8.0 PARTS LIST

Figure 8-1

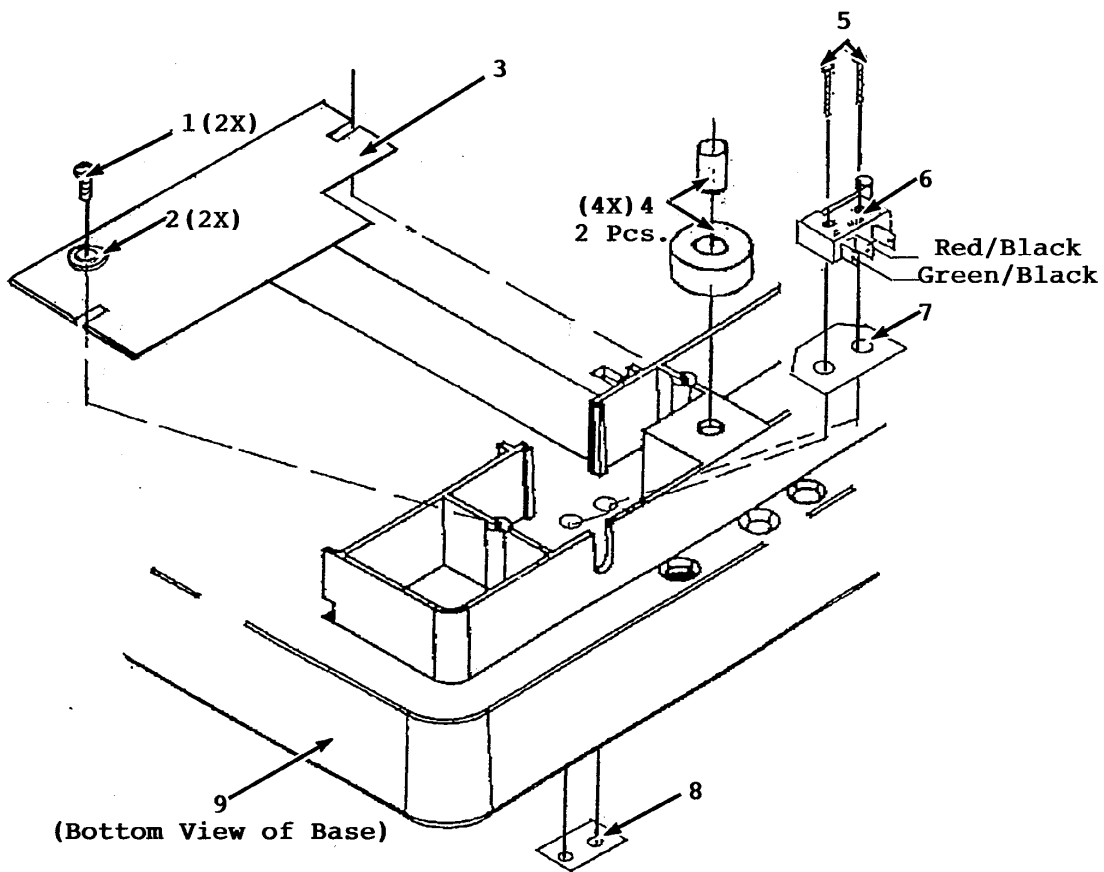
ITEM	PART NO.	DESCRIPTION	QTY
*****			
1	1902804	8/32 X 3/8 Phillips Screw	4
2	9781197	Capacitor Mounting Bracket	1
3	9781195	7.5 microfarad, 370 VAC Motor Run Capacitor	1
	9781230	3 microfarad, 440 VAC Motor Run Capacitor	1
	9781634	15 microfarad, 370 VAC Motor Run Capacitor	1
4	9781202	100 VAC Heater Power Transformer	1
	9784039	115 VAC Heater Power Transformer	1
	9784040	230 VAC Heater Power Transformer	1
5	7704967	Base	1
6	9781363	Rubber Foot	4
7	1902804	8/32 X 3/8 Phillips Pan Head Screw	7
8	7704987	Supplies Lid Cover, Fixed	1
	9781623	Punch Decal (Not Shown)	1



# 8.0 PARTS LIST

Figure 8-2

ITEM	PART NO.	DESCRIPTION	QTY
*****			
1	1907830	6/32 X 3/8 Phillips Pan Head Screw	2
2	1925119	#6 Flat Washer	2
3	7704968	Raceway Cover	1
4	9781363	Rubber Foot (2 Pieces)	4
5	1901504	2/56 X 5/8 Round Head Phillips Screw	2
6	9781142	Snap Action Switch with Roller	1
7	9778287	Switch Insulator	1
8	9778618	#2/56 Nut Plate	1
9	9781214	Base (Bottom View)	1

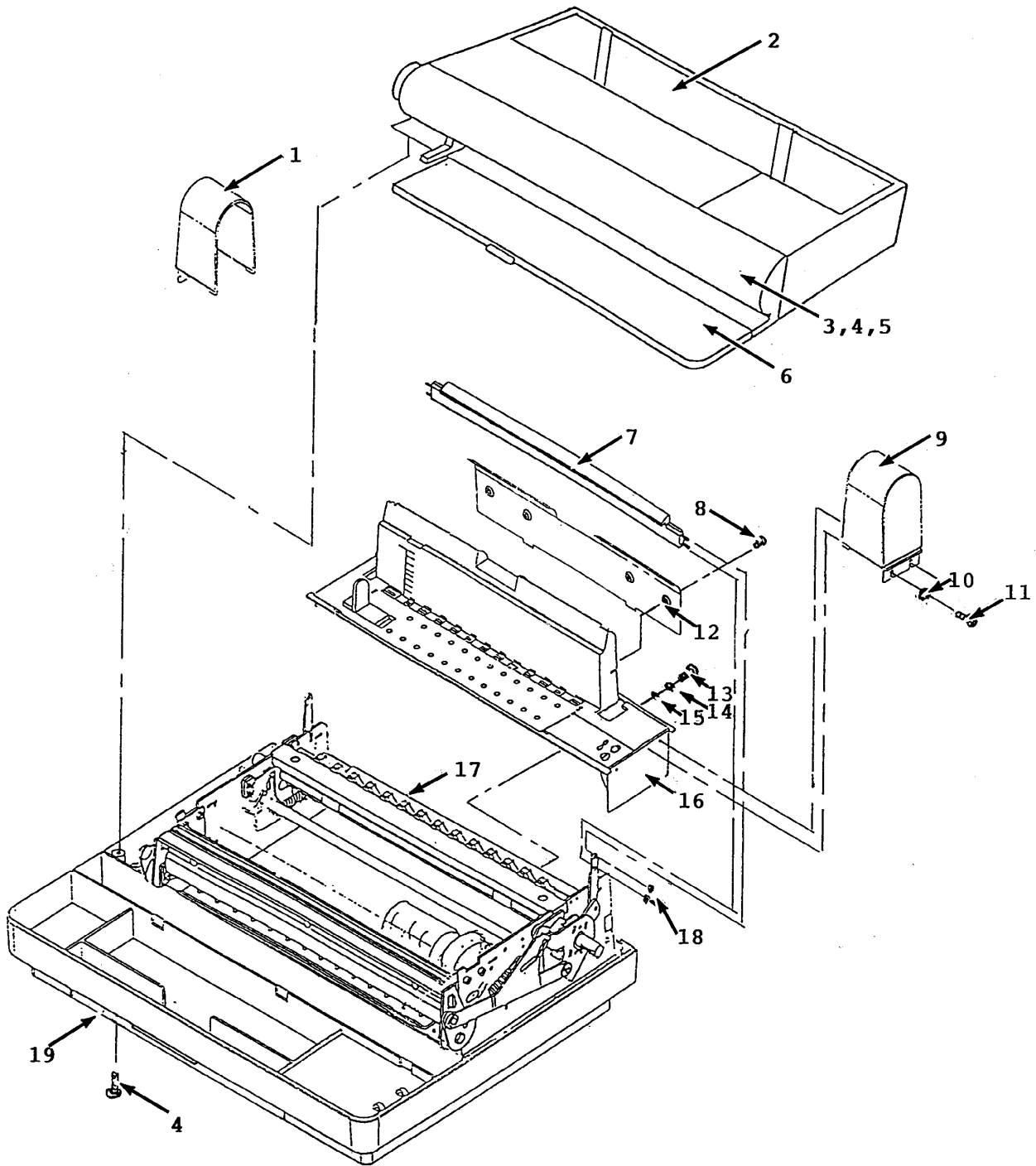


## **8.0 PARTS LIST**

**THIS PAGE INTENTIONALLY LEFT BLANK**

# 8.0 PARTS LIST

Figure 8-3



## 8.0 PARTS LIST

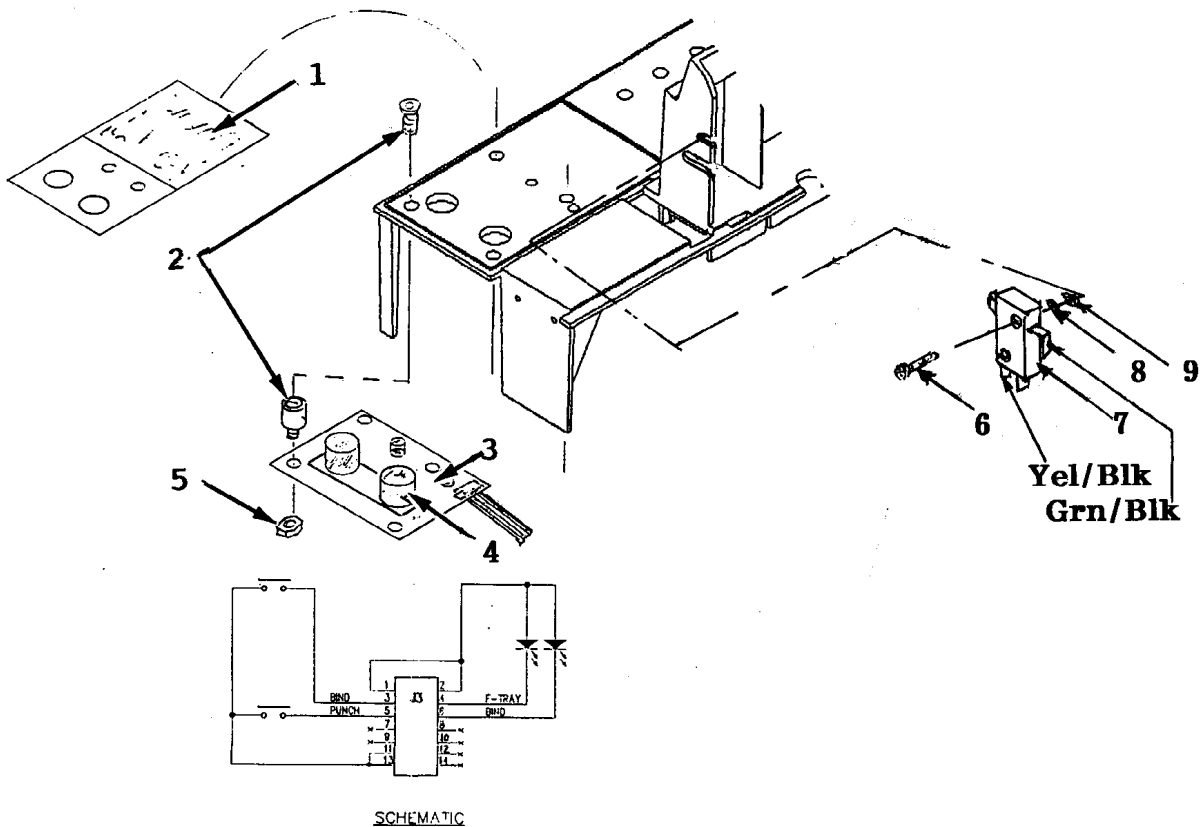
**Figure 8-3**

ITEM	PART NO.	DESCRIPTION	QTY
*****			
1	7704975	Left Turret End Cap	1
2	7704982	Top Cover	1
3	7704983	Bullnose	1
4	1902804	8/32 X 3/8 Phillips Pan Head Screw	11
5	1925134	#8 Flat Washer	4
6	7704985	Supplies Cover Lid	1
7	7704962	Pressure Bar Assembly	1
	9781104	VeloBind Pressure Bar Logo	1
	9781352	Gestetner Pressure Bar Logo	1
	9781353	Nashuatec Pressure Bar Logo	1
	9781355	GUSA Pressure Bar Logo	1
8	1907832	#8/18 X 1/2 Self-tap Screw	4
9	7704976	Right Turret End Cap	1
10	1925903	#8 External Tooth Lockwasher	4
11	1907832	8/18 X 1/2 Self-Tap Screw	4
12	7704977	Turret Back Cover	1
13	1907830	6/32 X 3/8 Thread Cutting Screw	4
14	1925119	#6 Flat Washer	4
15	1925904	#6 External Tooth Lockwasher	4
16	7705096	Turret Assembly	1
	7704963	Turret Assembly (SureBind)	1
	7704972	Bind Edge Guide	1
17	9781061	Brace	1
18	1932502	Retaining Ring	4
19	7704978	Waste Tray	1

# 8.0 PARTS LIST

Figure 8-4

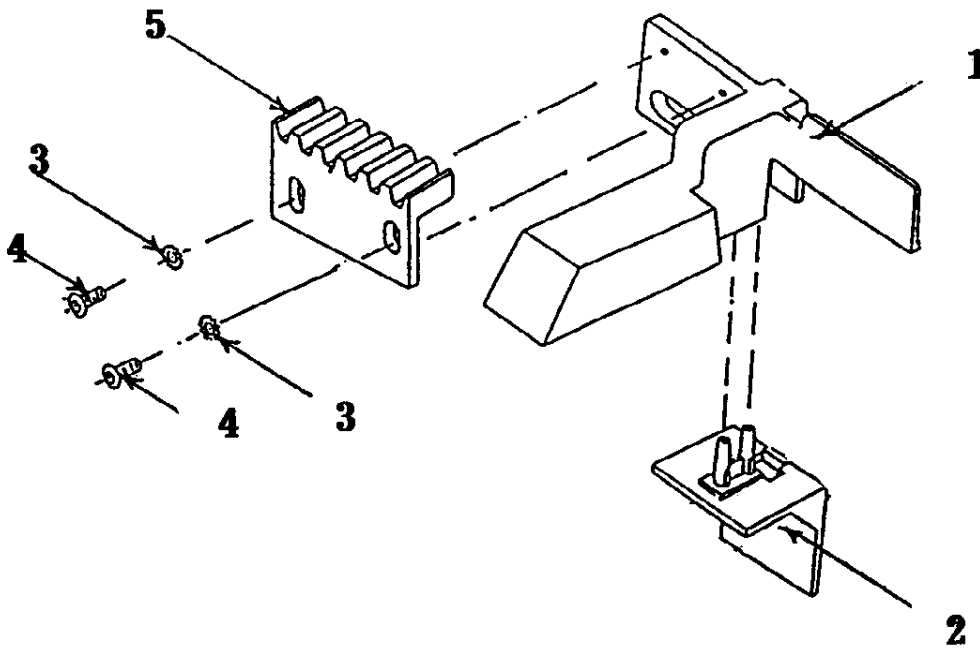
ITEM	PART NO.	DESCRIPTION	QTY
1	7704973	Control Panel Label	1
2	1951007	Control Panel PCB Spacer (2 pcs.)	4
3	9781128	Control Panel PCB with Cable	1
4	9781395	Green Conductive Rubber Switch (OBS)	1
	7704994	Dark Grey Conductive Rubber Switch	1
5	1926707	6/32 Hex Nut	4
6	1902840	4/40 X 3/4 Phillips Pan Head Screw	2
7	9781592	Snap Action Switch	1
8	1925909	#4 Exterior Tooth Lock Washer	2
9	1926711	4-40 Hex Nut	2



# 8.0 PARTS LIST

Figure 8-5

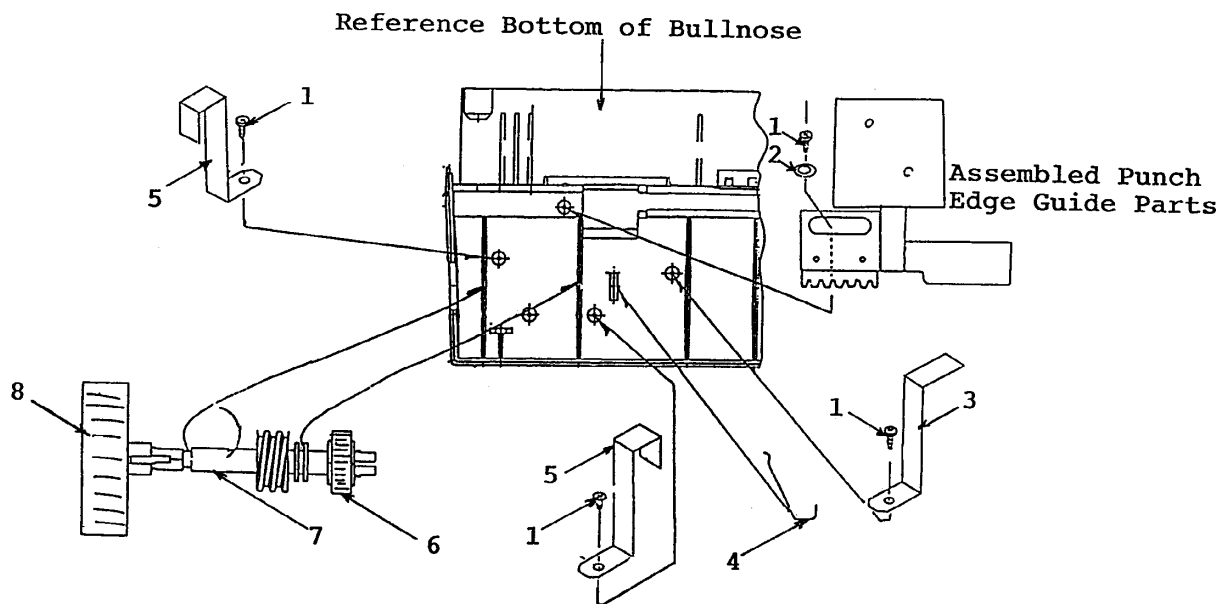
ITEM	PART NO.	DESCRIPTION	QTY
*****			
1	9781211	Punch Edge Guide VB	1
	7704984	Punch Edge Guide SB	1
2	7704993	Punch Edge Guide Support	1
	9781469	Punch Decal VB	1
	7704989	Punch Decal SB	1
3	1925904	#6 Exterior Tooth Lock Washer	2
4	1908602	Plask 1 Screw, Phillips Pan Head	2
5	7704993	Edge Guide Rack	1



# 8.0 PARTS LIST

Figure 8-6

ITEM	PART NO.	DESCRIPTION	QTY
*****			
1	1908602	4/14 X 1/4 Plask 1 Screw	4
2	1925119	#6 Flat Washer	1
3	9781254	Punch Edge Guide Clamp	1
4	9781252	Punch Edge Guide Wire Clip	1
5	9781253	Punch Edge Guide Screw Clip	2
6	9781217	Gear Cap Knob	1
7	9781228	Punch Edge Guide Screw	1
8	7704979	Guide Knob	1

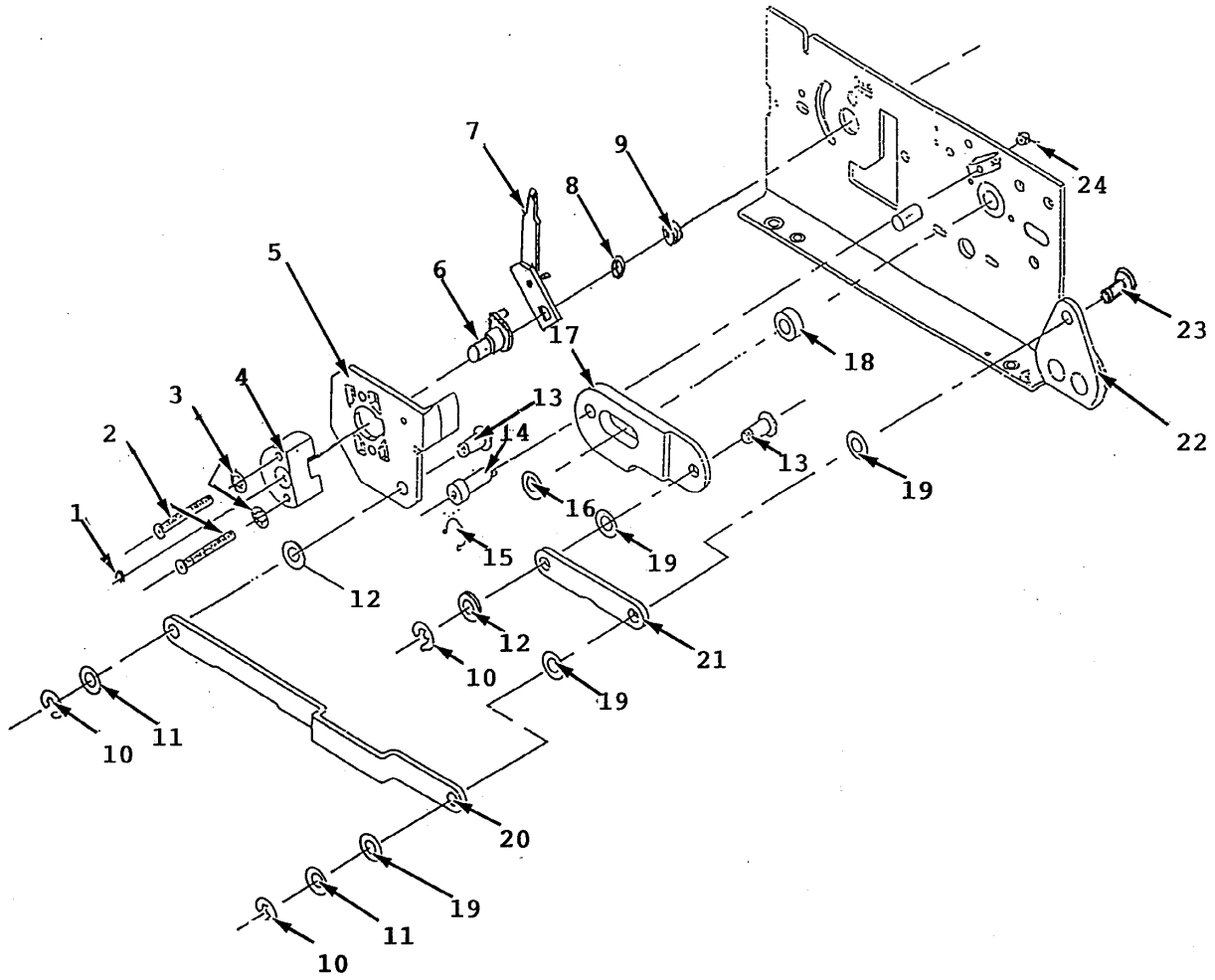


## **8.0 PARTS LIST**

**THIS PAGE INTENTIONALLY LEFT BLANK.**

# 8.0 PARTS LIST

Figure 8-7



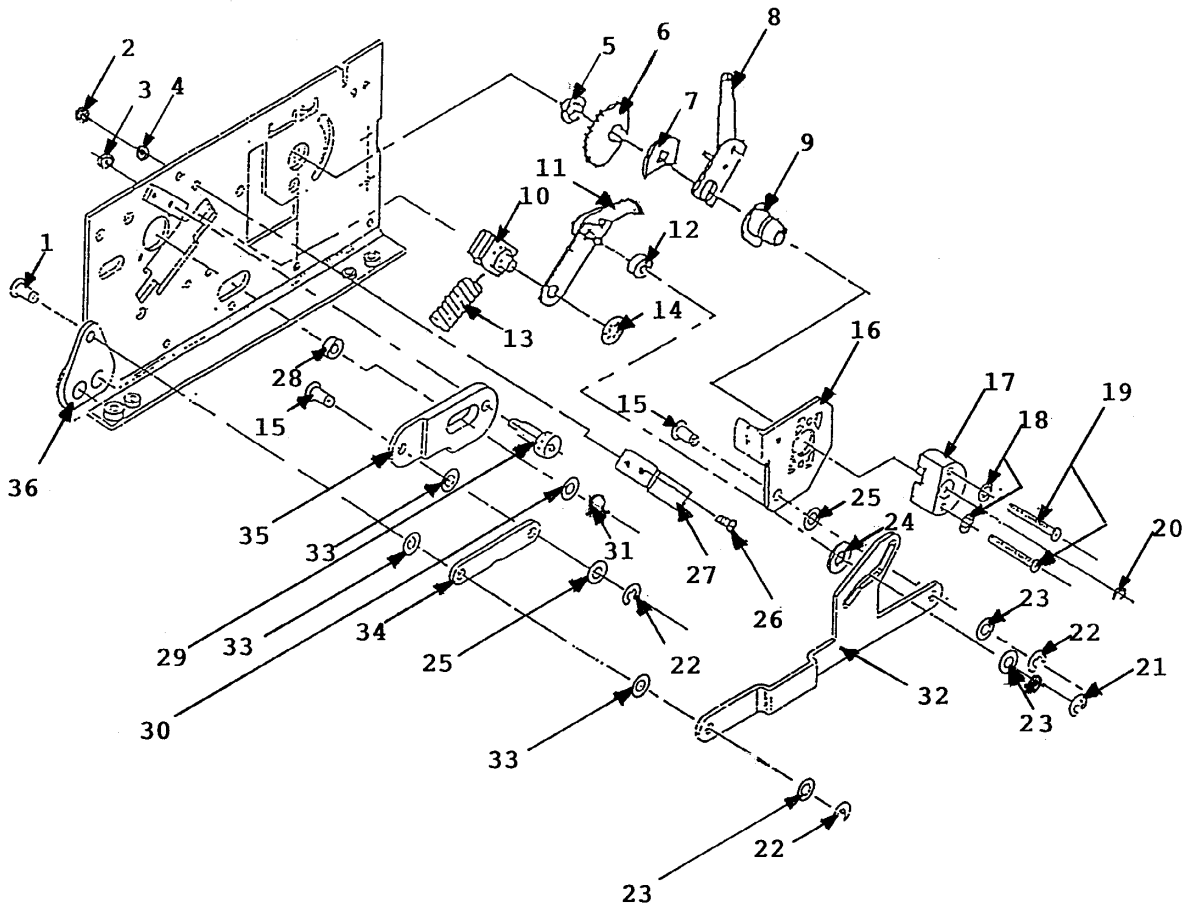
# 8.0 PARTS LIST

Figure 8-7

ITEM	PART NO.	DESCRIPTION	QTY
1	1930544	Retaining Ring	1
2	1902822	10/32 X 1 Phillips Pan Head Screw	2
3	1925803	#10 Internal Tooth Lockwasher	2
4	9781062	Coupling Replace	1
5	9778450	Left Drive Link	1
6	9778198	Hub	1
7	9781556	Left Pressure Bar Link Assembly	1
8	1925220	Spacer	1
9	9776609	Bearing	1
10	1930510	Retaining Ring	3
11	1925107	Shim Washer	2
12	1925208	Plastic Washer	2
13	9779351	Pivot Stud	2
14	1900809	10/32 X 5/8 Socket Hd Shoulder Screw	1
15	1930520	Retaining Ring	1
16	1925117	Crank Link Washer	1
17	9781080	Left Hand Link	1
18	9781122	Bearing	1
19	1925206	Teflon Washer	4
20	9781050	Bind Link	1
21	9781081	Punch Link	1
22	9781095	Drive Eccentric	1
23	9781083	Pivot Stud	1
24	1926731	10/32 Hex Nut	1

# 8.0 PARTS LIST

Figure 8-8



## 8.0 PARTS LIST

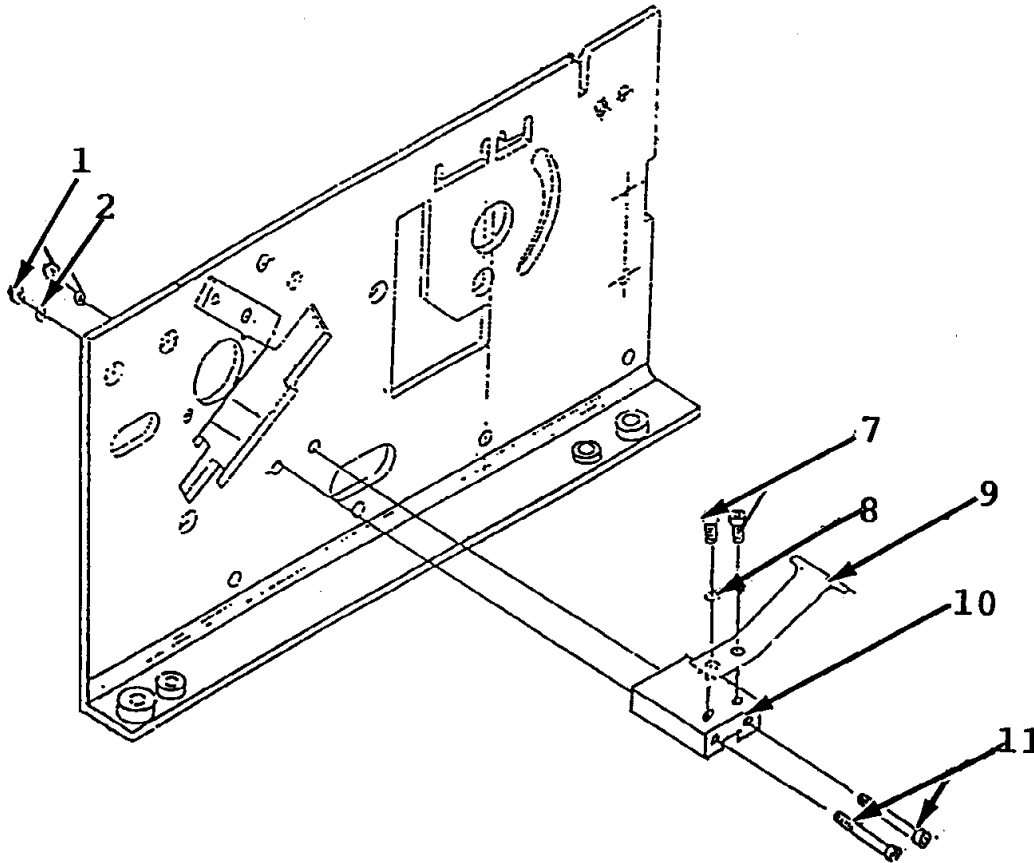
**Figure 8-8**

ITEM	PART NO.	DESCRIPTION	QTY
*****			
1	9781083	Pivot Stud	1
2	1926701	8/32 Hex Nut	1
3	1926702	10/32 Hex Nut	1
4	1925903	#8 External Lock Washer	1
5	9776609	Bearing	1
6	9779086	10 Tooth Ratchet	1
7	9781119	Pawl Guide	1
8	9781557	Right Pressure Bar Link Assembly	1
9	9778198	Hub	1
10	9776665	Pillow Block	1
11	9779984	Pawl Assembly	1
12	9779084	Roller	1
13	9779270	Compression Spring	1
14	1931301	5/16 Speed Nut	1
15	9779351	Pivot Stud	2
16	9778449	Right Hand Drive Link	1
17	9781062	Coupling Replace	1
18	1925803	#10 Internal Lock Washer	1
19	1902822	10/32 X 1 Phillips Pan Head Screw	2
20	1930544	Crescent Ring	1
21	1930530	Retaining Ring	1
22	1930510	Retaining Ring	3
23	1925107	Shim Washer	4
24	1925133	.263 ID, .800 OD Flat Washer	1
25	1925208	Plastic Washer	2
26	1901506	8/32 X 1/2 Phillips Pan Hd Screw	1
27	9776667	Link Brace	1
28	9781122	Bearing	1
29	1900803	10/32 X 5/8 Socket Hd Shoulder Screw	1
30	1925117	Crank Link Washer	1
31	1930520	Retaining Ring	1
32	9781049	Actuator	1
33	1925206	Teflon Washer	3
34	9781081	Punch Link	1
35	9781100	Right Hand Link	1
36	9781095	Drive Eccentric	1

# 8.0 PARTS LIST

Figure 8-9

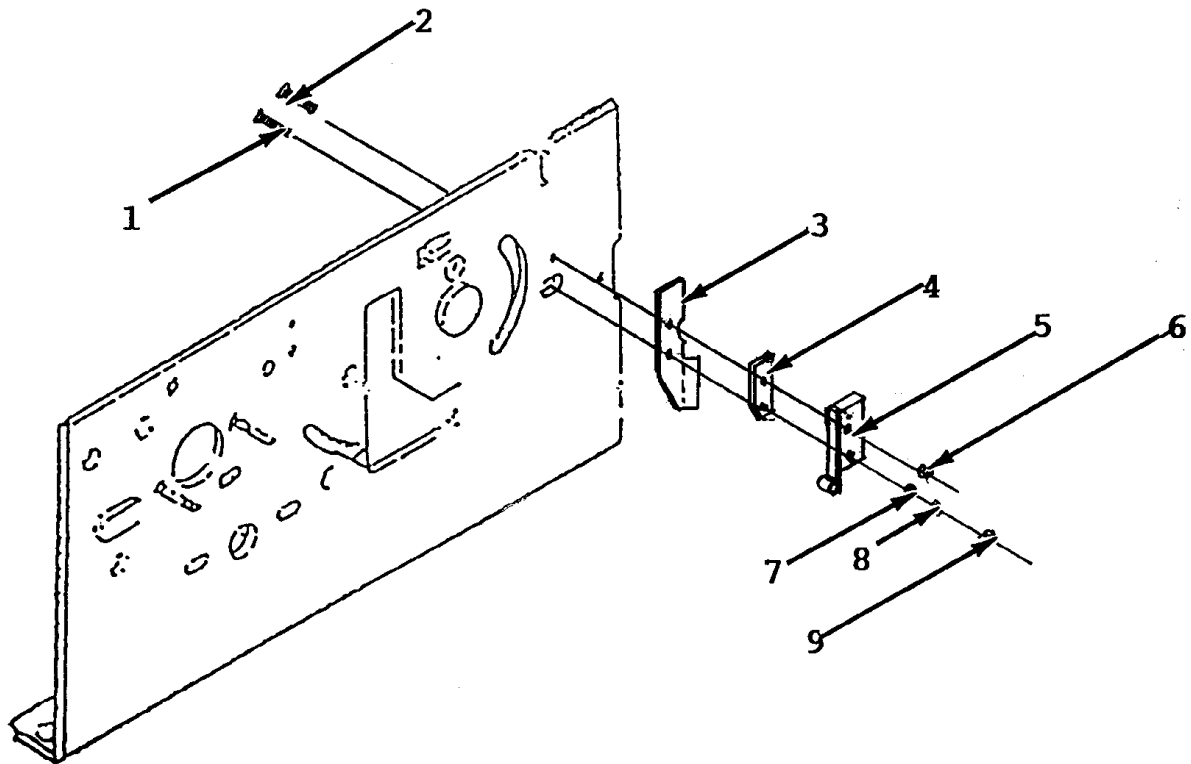
ITEM	PART NO.	DESCRIPTION	QTY
*****			
1	1926707	6/32 Hex Nut	2
2	1926005	#6 Split Lock Washer	2
3	1900501	4/40 X 3/8 Socket Head Screw	2
4	1926007	#4 Split Lock Washer	2
5	9781163	Support Spring	1
6	9781120	Spring Holder	1
7	1900577	6/32 X 1-1/4 Socket Hd Cap Screw	2



# 8.0 PARTS LIST

Figure 8-10

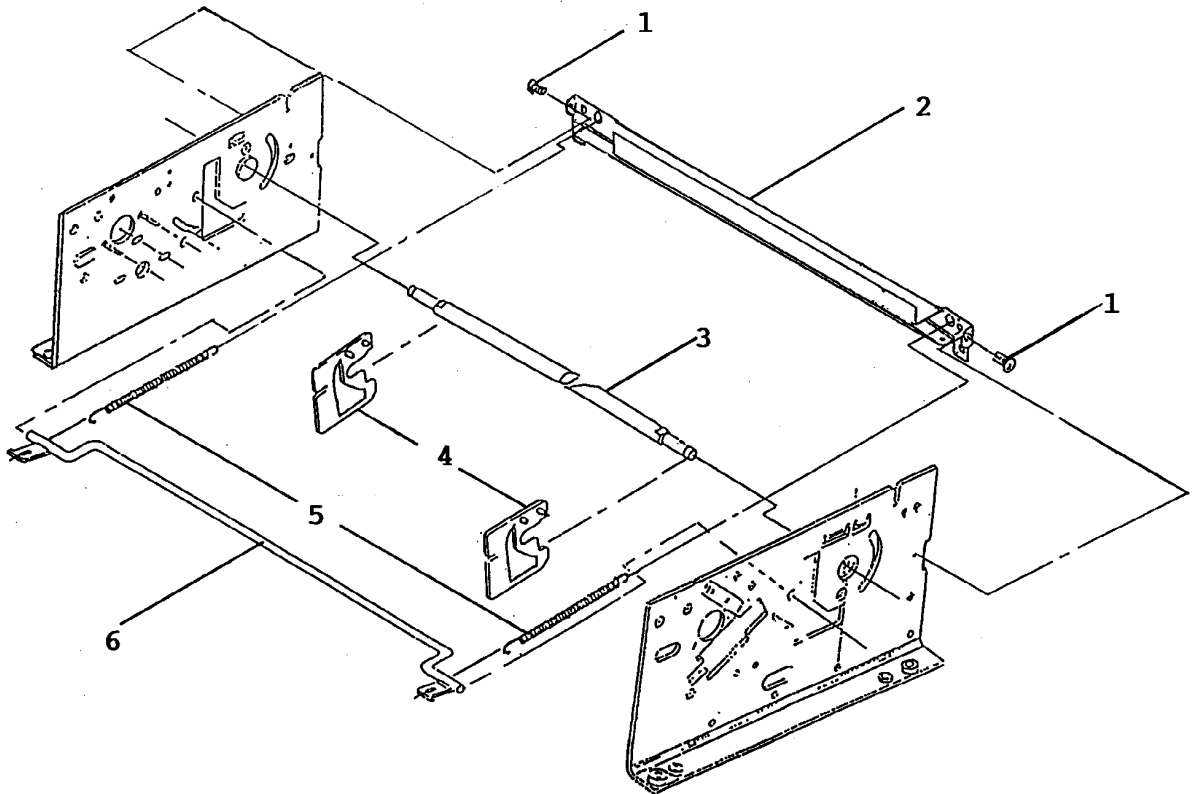
ITEM	PART NO.	DESCRIPTION	QTY
1	1901504	2/56 X 5/8 Round Head Screw	1
2	1902634	2/56 X 5/8 Flat Head Screw	1
3	9781138	S3 Switch Bracket	1
4	9778292	Insulator	1
5	9781085	S3 Snap Action Switch	1
6	1927401	2/56 Self-Lock Nut	1
7	1925120	#2 Flat Washer	1
8	1925805	#2 Internal Lock Washer	1
9	1926714	2/56 Hex Nut	1



# 8.0 PARTS LIST

Figure 8-11

ITEM	PART NO.	DESCRIPTION	QTY
1	1900633	6/32 X 1/4 Hex Socket Flat Hd Screw	2
2	9781061	Brace	1
3	9779233	Shaft	1
4	9778732	Drive Plate	2
5	9781158	Drive Spring	2
6	9781060	Timing Shaft Assembly	1

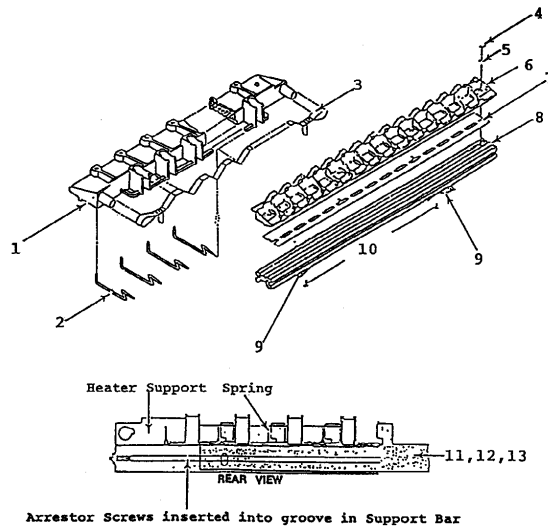


# 8.0 PARTS LIST

Figure 8-12

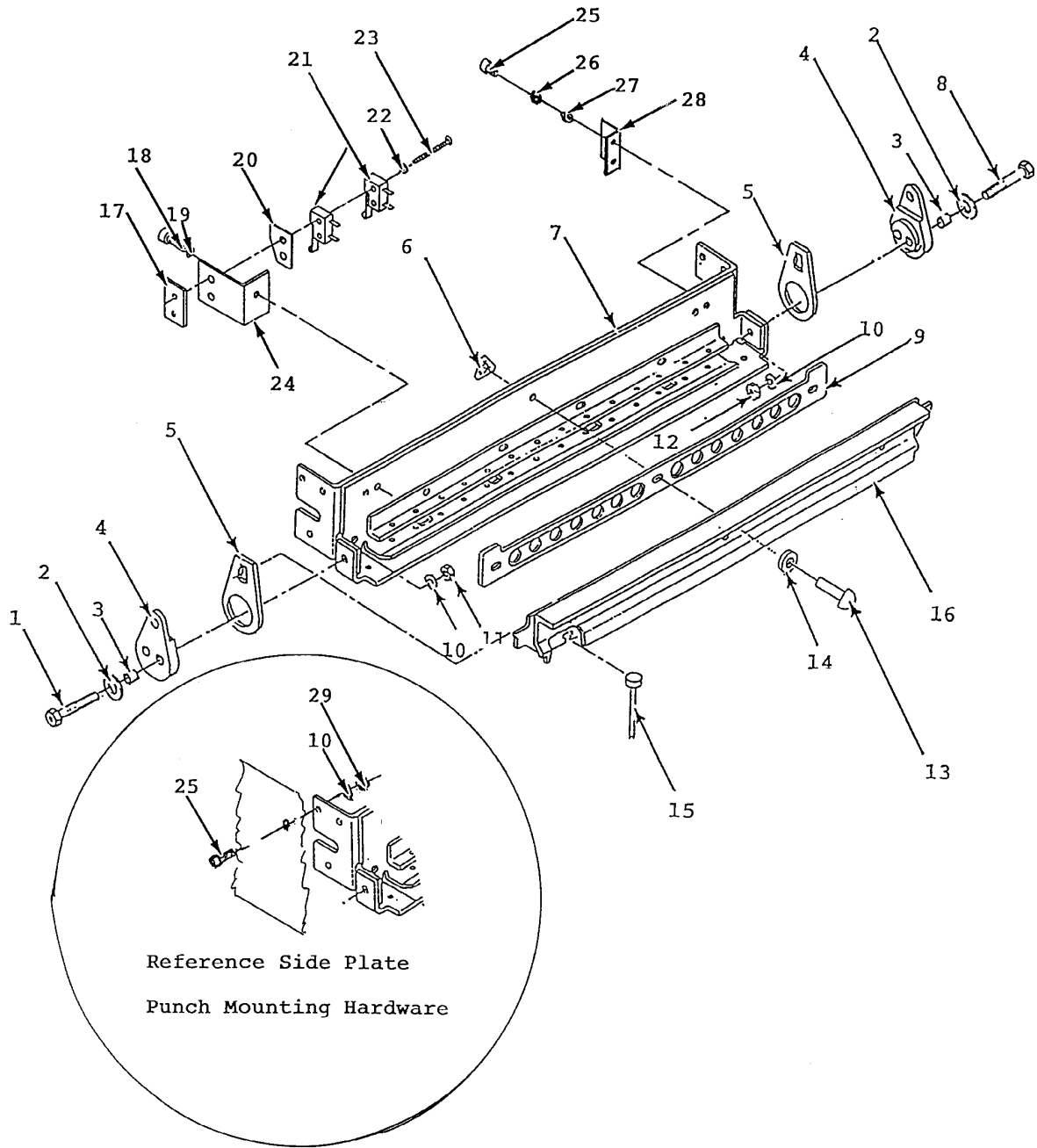
ITEM	PART NO.	DESCRIPTION	QTY
*****			
1	9779293	Heater Support	1
	9777029	SureBind Heater Support	1
2	9779268	Tensioner Springs (13 on SureBind)	15
3	9781638	Strip Blade Assembly	1
	9781639	SureBind Strip Blade Assembly	1
4	1907834	4/24 X 1/2 Self-Tapping Screw	4
5	1925012	#4 Flat Washer	4
6*	9776336	Heater Retrofit Kit	1
	9781041	SureBind Heater Retrofit Kit	1
7	9778291	Insulator	1
	9781572	SureBind Insulator	1
8	9776664	Support Bar	1
9	9781163	Support Spring	2
10	1907833	4/40 X 1/4 Thread Cutting Screw	4
11	9776951	13 Inch Travel Arrestor	1
	9776952	2 Inch Travel Arrestor	1
	9781152	SureBind Travel Arrestor	1
	9781153	SureBind Travel Arrestor	1
12	1907831	6/32 X 1/4 Self Tapping Screw	2
13	1925119	#6 Flat Washer	2

**\*Note: Heater Retrofit Kits (P/N 9776336 and 9781041 for SureBind come assembled with items 1, 2, and 3, and are ready to install. The part number for the Heater Assembly is 9776678, and includes all parts listed above. The part number for SureBind Heater Assembly is 9777072.**



# 8.0 PARTS LIST

## Figure 8-13



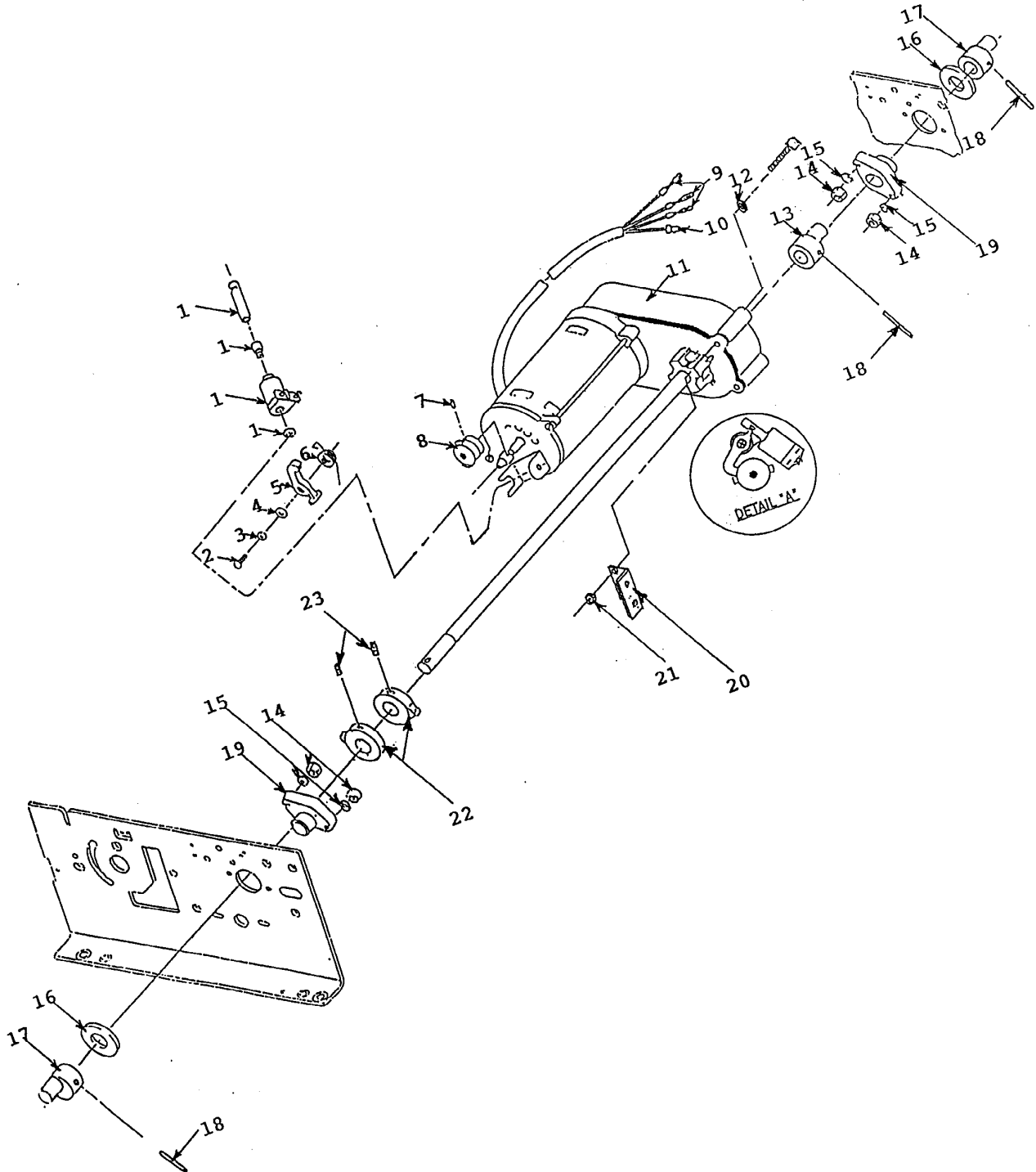
## 8.0 PARTS LIST

**Figure 8-13**

ITEM	PART NO.	DESCRIPTION	QTY
*****			
1	1900527	1/4-28 x 1-1/8 Left Thread Screw	1
2	1925005	1/4 Flat Washer	2
3	9779257	Spacer	2
4	9781095	Drive Eccentric	2
5	9778446	Punch Link	2
6	1929105	Retaining Clip	6
7	9778194	Punch Housing	1
	9777425	SureBind Punch Housing	1
8	1900591	1/4-28 X 1-1/8 Right Thread Screw	1
9	9779250	Punch Spacer	1
10	1926018	1/4-28 Lock Washer	8
11	1926724	1/4-28 Left Thread Nut	1
12	1926710	1/4-28 Right Thread Nut	1
13	1930011	Punch Retaining Pin	3
14	1925218	Washer	3
15	9778684	Punch Pin (12 on SureBind)	14
16	9776365	Punch Actuator	1
	9781390	SureBind Punch Actuator	1
17	9778618	Switch Nut Plate	1
18	1900594	6/32 X 1/4 Hex Socket Screw	1
19	1926005	#6 Split Lock Washer	1
20	9778287	Switch Insulator	1
21	9781142	Switch (S5-left/S4-right)	2
22	1925805	#2 Internal Tooth Lock Washer	2
23	1902868	2/56 X 3/4 Round Head Screw	2
24	9781136	Switch Bracket	1
25	1900538	1/4-20 X 1/2 Hex Socket Screw	8
26	1926018	1/4 Split Lock Washer	2
27	1925804	1/4 Internal Tooth Lock Washer	2
28	9781078	Motor Mount	1
29	1926729	1/4-20 Hex Nut	6

# 8.0 PARTS LIST

Figure 8-14



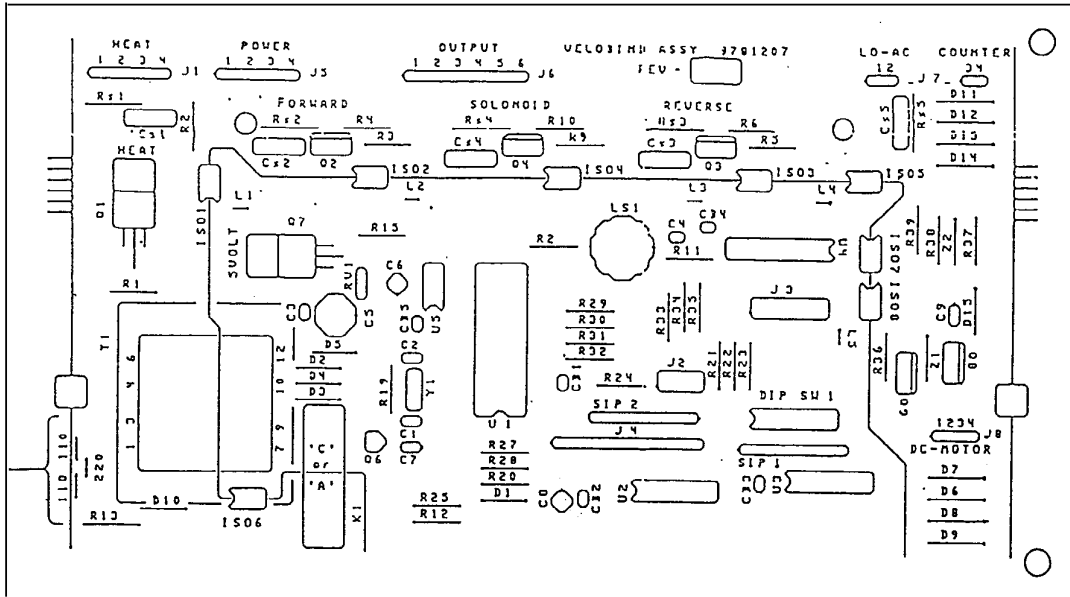
# 8.0 PARTS LIST

Figure 8-14

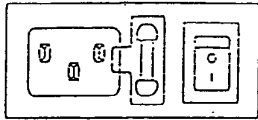
ITEM	PART NO.	DESCRIPTION	QTY
1	9776316	115 VAC Solenoid Kit	1
	9776317	230 VAC Solenoid Kit	1
2	9776313	6/32 X 1/4 Screw	1
3	1926005	#6 Lock Washer	1
4	1925119	#6 Flat Washer	1
5	9776310	Lever Arm	1
6	9776309	Spring	1
7	9776314	Hub Set Screw	1
8	9776308	Brake Hub	1
9	1940005	Bullet Terminal Lug	3
10	1940101	Cap Splice Connector	1
11	9781077	115 Volt Punch Motor	1
	9781351	240 Volt Punch Motor	1
12	1925122	#10 Flat Washer	2
13	9781079	Punch Motor Coupling	1
14	1927407	10/32 Lock Nut	4
15	1925122	#10 Flat Washer	4
16	1925136	.861 X .010 Spacer	2
17	9781082	Punch Drive Crank	2
18	1929233	3/16 X 7/8 Roll Pin	3
19	9776608	Bearing	2
20	9781078	Motor Mount (Reference)	1
21	1927407	10/32 Lock Nut	2
22	9781677	Punch Cam	2
23	1900019	6/32 X 1/8 Socket Set Screw	2

# 8.0 PARTS LIST

## Figure 8-15

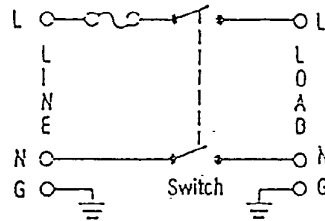


- 9783668 - P.C. Board Assembly - 1 Per - 115 VAC
- 9783669 - P.C. Board Assembly - 1 Per - 230 VAC
- 9781200 - P.C. Board Assembly - 1 Per - 100 VAC



P/N 9781130 - Power Inlet Connector  
(1 Per)

P/N 9781185 - 5 X 20 mm. Fuse - 1 Per



100 Volt Power Cord - P/N 9781564

