



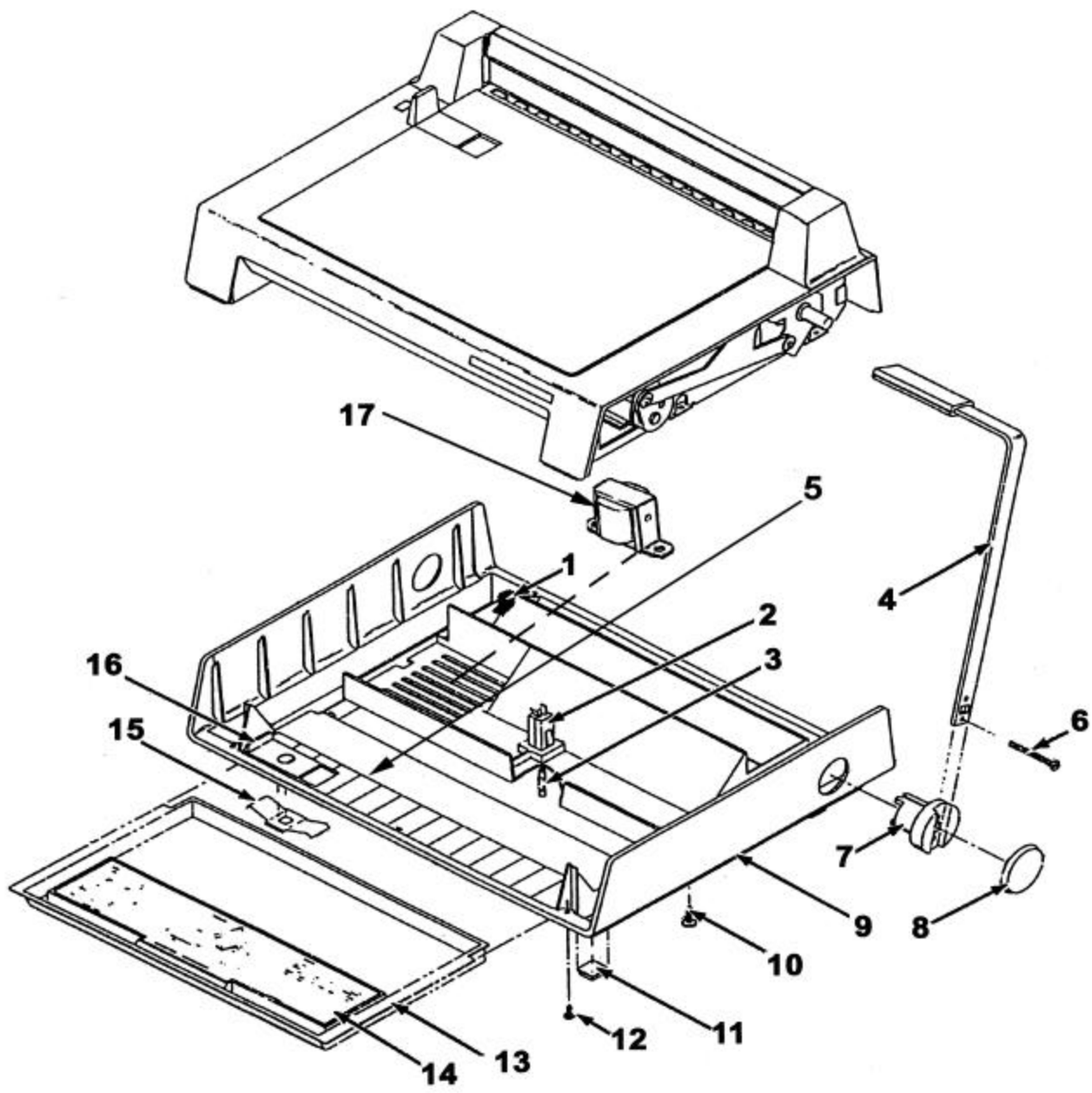
510 VB PARTS LIST



GBC IS AN ACCO BRANDS COMPANY

8.0 PARTS LIST

Figure 8-1



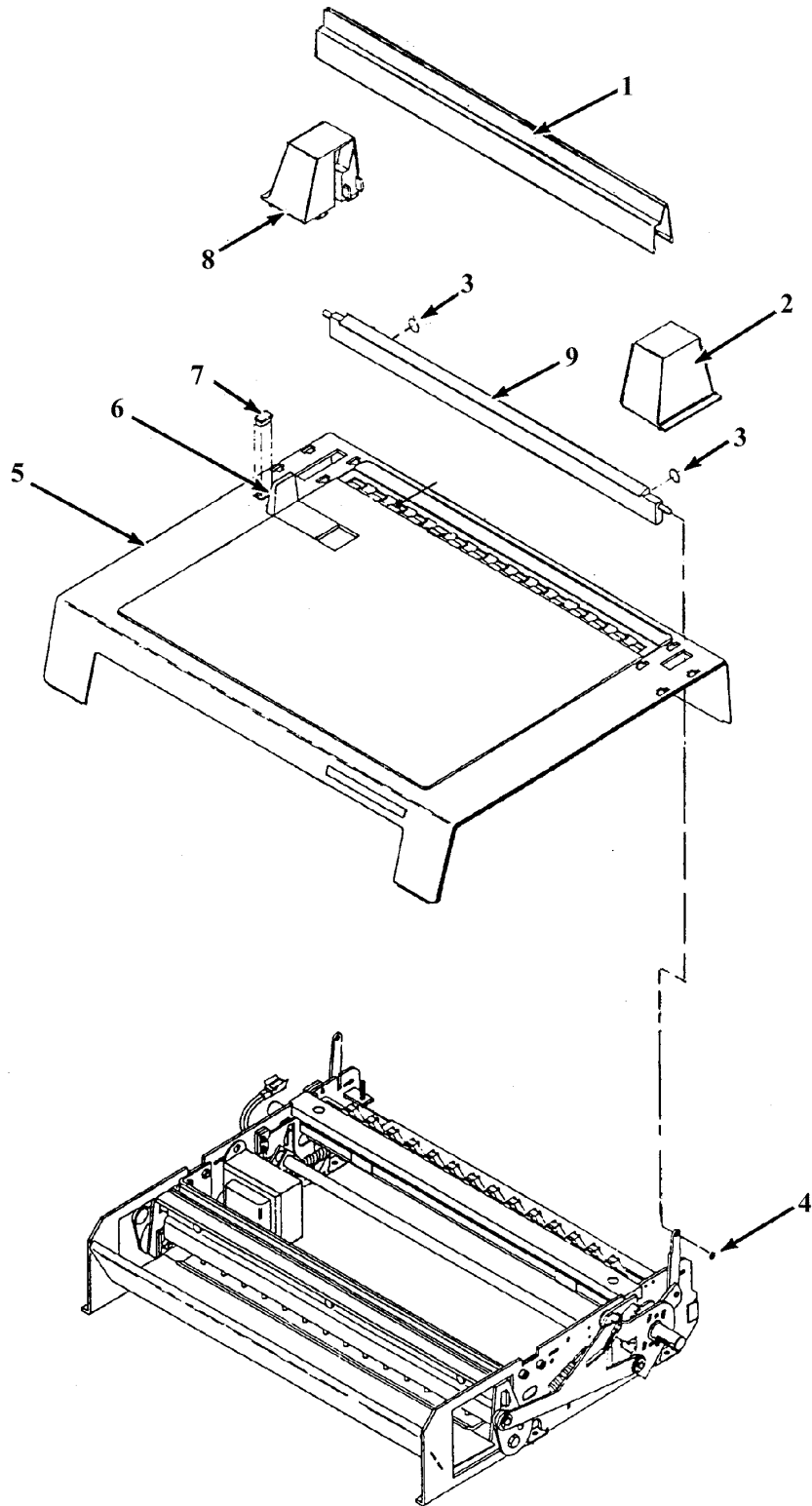
8.0 PARTS LIST

Figure 8-1

ITEM	PART NO.	DESCRIPTION	QTY
1	9776595	Plastic Deflector	1
2	1132343	Fuse Holder	1
3	1970125	4 Amp Fuse	1
4	7704882	Handle Assembly	1
5	7704886	Punch Decal, VeloBind	1
	7704946	Punch Decal, SureBind	1
6	1911136	10/32 X 2 Screw	4
7	7704883	Drive Coupling	2
8	7704884	Handle Cap	2
9	9781295	Base Assembly (Includes Items 1,2,3,11,15,16)	1
10	1905017	1/4-14 X 3/4 Screw	4
11	1954504	Rubber Foot	4
12	1904806	#8 X 1/2 Screw	4
13	7704885	Waste Tray	1
14	9781744	Operator Instructions	1
15	9776954	Paper Guide Spring	1
16	7704896	Punch Guide	1
	9781469	Punch Decal (Edge Guide) (Not Shown)	1
17	9784039	Transformer, Heater Power 120VAC	1
	9784040	Transformer, Heater Power 230VAC	1
	9784041	Transformer, Heater Power 100VAC	1

8.0 PARTS LIST

Figure 8-2



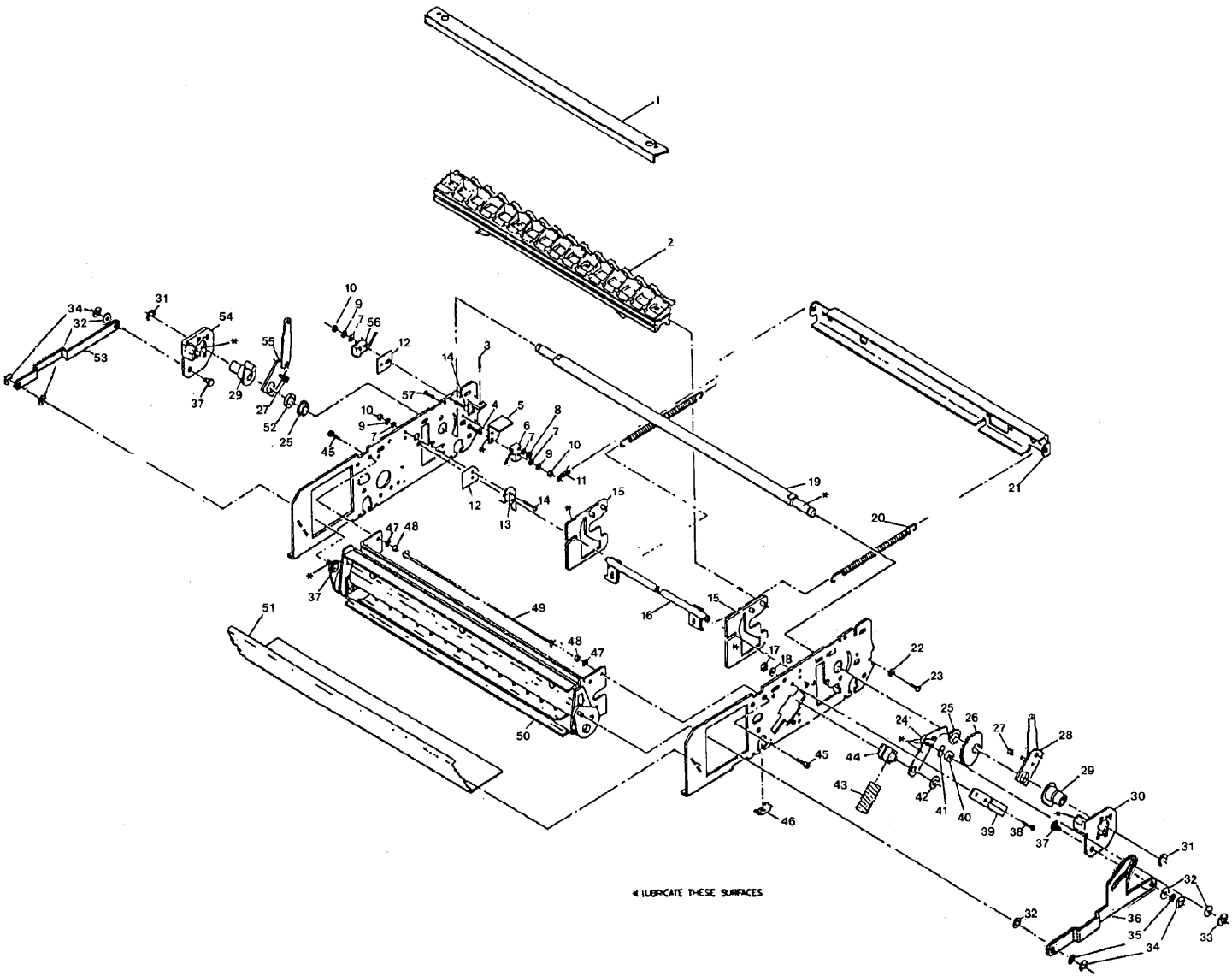
8.0 PARTS LIST

Figure 8-2

ITEM	PART NO.	DESCRIPTION	QTY
1	7704879	Backstop (VeloBind)	1
	7704945	Backstop (SureBind)	1
2	7704877	Right Hand Turret (VeloBind)	1
	7704943	Right Hand Turret (SureBind)	1
3	9781498	Spacer Pad	2
4	1932502	Retaining Ring	4
5	7704875	Housing Assembly (VeloBind) (Includes Items 6,10)	1
	7704942	Housing Assembly (SureBind) (Includes Items 6,10)	1
6	7704902	Bind Edge Guide	1
	9776954	Edge Guide Spring	1
7	9778433	Indicator Light Lens	1
8	7704878	Left Hand Turret (VeloBind)	1
	7704944	Left Hand Turret (SureBind)	1
9	7704876	Pressure Bar Assembly	1
10	9778682	Locating Pin	1
11	7704889	Pressure Bar Logo, System One	1
	9781303	Pressure Bar Logo, GUSA	1
	9781287	Pressure Bar Logo, Gestetner	1
	9781365	Pressure Bar Logo, Nashuatec	1
	7704947	Pressure Bar Logo, GBC SureBind	1

8.0 PARTS LIST

Figure 8-3



8.0 PARTS LIST

Figure 8-3

ITEM	PART NO.	DESCRIPTION	QTY
1	9776666	Frame Brace	1
2	9776678	Heater Assembly (VeloBind)	1
	9777072	SureBind Heater Assembly	1
3	1900022	8/32 X 7/8 Socket Set Screw	1
4	1901504	2/56 X 5/8 Screw	5
5	9776682	Switch Bracket	1
6	9781085	Switch (S3)	1
7	1925120	#2 Flat Washer	5
8	1927401	2/56 Self Lock Nut	1
9	1925805	#2 Internal Tooth Lock Washer	5
10	1926714	2/56 Hex Nut	5
11	9779271	Extension Spring	1
12	9778292	Insulator	3
13	9781242	Switch (S2)	1
14	1901504	2/56 X 5/8 Screw (same as item 4)	5
15	9778732	Drive Plate	2
16	9779242	Timing Shaft Assembly	1
17	1926802	8/32 Keps Hex Nut	1
18	Not Used		
19	9779233	Shaft	1
20	9781158	Drive Spring	2
21	9776683	Frame Brace	1
22	1926802	Nut, Hex 8/32 & Washer (Keps)	2
23	1902809	8/32 X 1/2 Phillips Pan Head Screw	2
24	9778773	Pawl Assembly	1
25	9776609	Bearing	2
26	9779086	10 Tooth Ratchet	1
27	9779908	Drive Plate Stop Bushing	2
28	9780019	Right Hand Pressure Bar Link Assembly	1
29	9778198	Plastic Hub	2
30	9778449	Right Hand Drive Link	1
31	1930544	Retaining Ring	2
32	1925208	Plastic Washer	5
33	1930530	Retaining Ring	1
34	1930510	Retaining Ring	4
35	Not Used		
36	9781049	Actuator	1
37	9779351	Pivot Stud	4
38	1902809	Machine Screw (8/32 X 1/2)	1
39	9776667	Link Brace	1
40	9779084	Roller	1
41	1926310	Spring Washer	1
42	1931301	Speed Nut	1

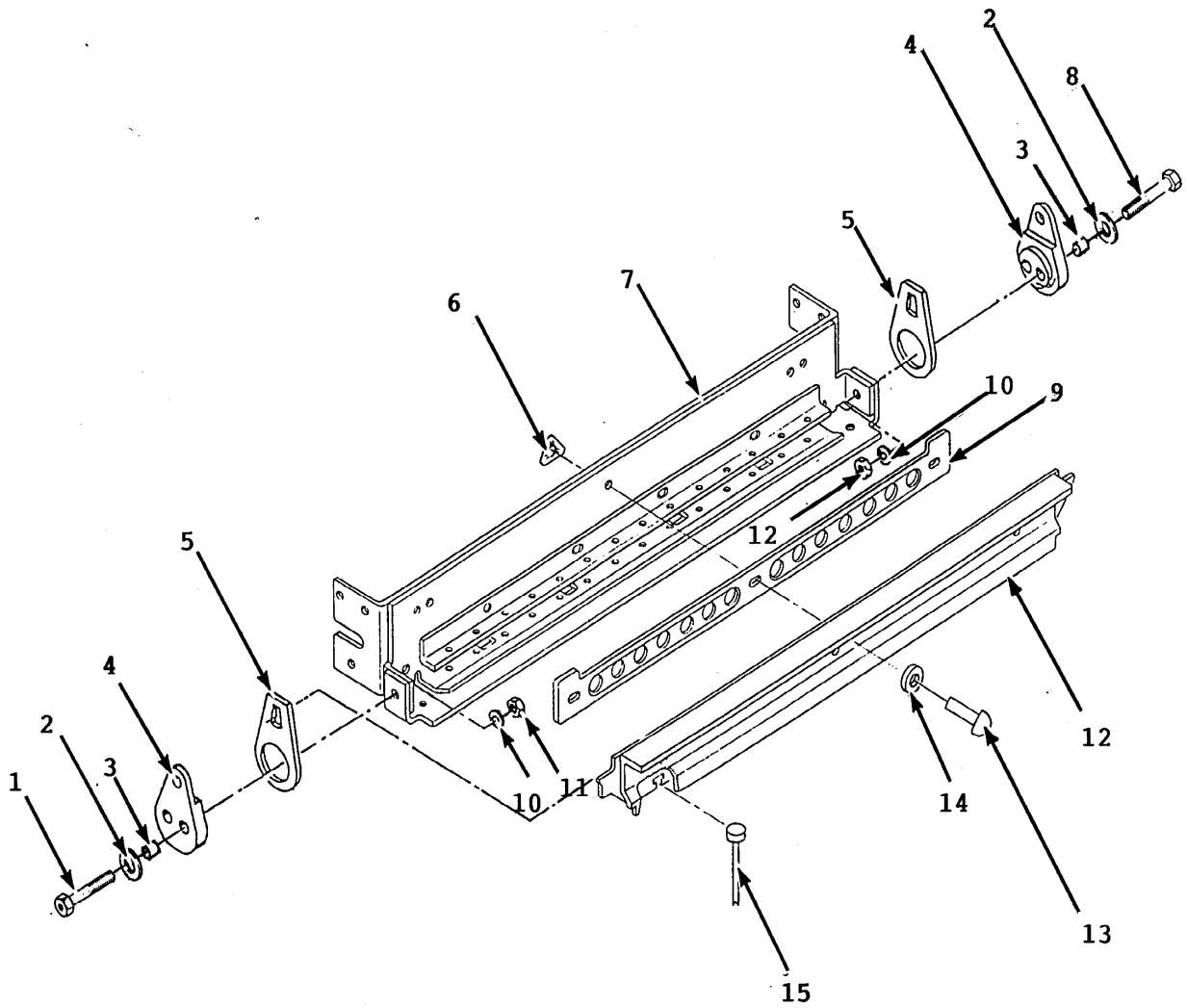
8.0 PARTS LIST

Figure 8-3 (Continued)

ITEM	PART NO.	DESCRIPTION	QTY
43	9779270	Compression Spring	1
44	9776665	Pillow Block	1
45	1902801	1/4-20 X 5/16 Screw	4
46	1928031	Speed Nut	4
47	Not Used		
48	1926805	1/4-2 Hex Nut & Washer (Keps)	4
49	9779294	Harness Support	1
50	9778708	Punch Assembly	1
	9778711	SureBind Punch Assembly	1
51	9781272	Deflector	1
52	1925220	Spacer	1
53	9781050	Punch Link	1
54	9778450	Left Hand Drive Link	1
55	9780020	Left Hand Pressure Bar Link Assembly	1
56	9781310	Switch (S1)	1
57	1901504	2/56 X 5/8 Screw	1

8.0 PARTS LIST

Figure 8-4



8.0 PARTS LIST

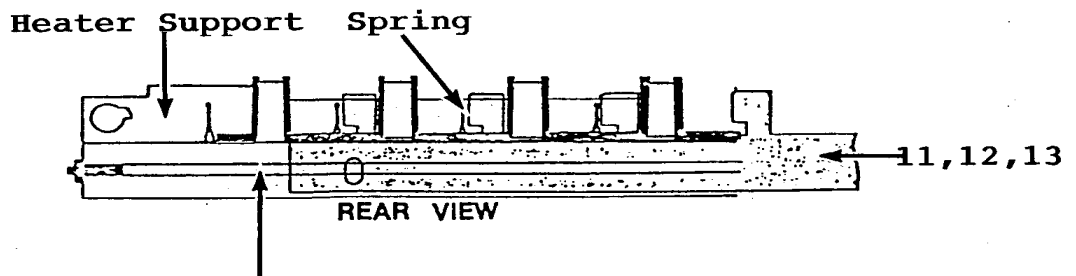
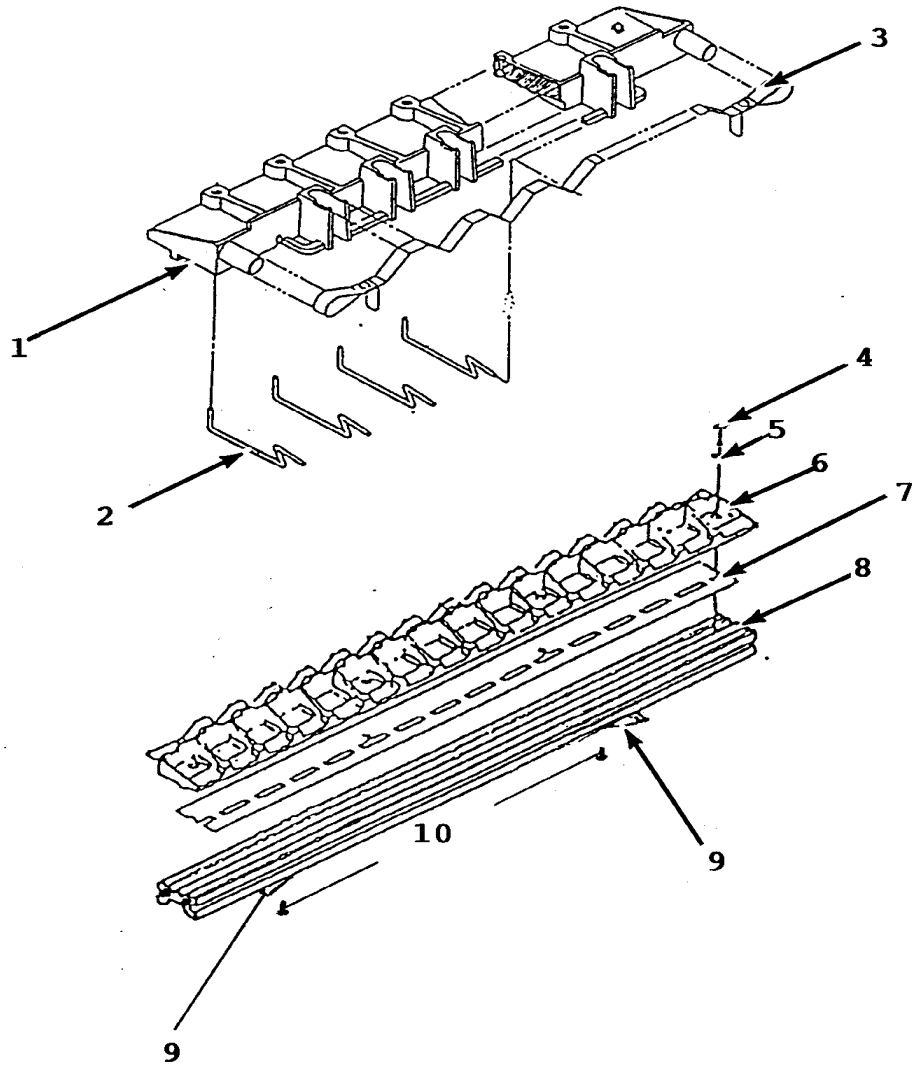
Figure 8-4

ITEM	PART NO.	DESCRIPTION	QTY
1	1900527	1/4-28 X 1-1/8 Left Hand Thread Screw	1
2	1925005	1/4 Flat Washer	2
3	9779257	Spacer	2
4	9776879	Eccentric Drive	2
5	9778446	Punch Link	2
6	1929105	Retaining Clip	6
7	9778197	Punch Housing	1
	9777425	SureBind Punch Housing	1
8	1900591	1/4-28 X 1-1/8 Right Hand Thread Screw	1
9	9779250	Punch Spacer	1
10	1926018	1/4-28 Lock Washer	2
11	1926724	1/4-28 Left Hand Thread Nut	1
12	1926710	1/4-28 Right Hand Thread Nut	1
13	1930011	Punch Retaining Pin	3
14	1925218	Spacer	3
15	9778684	Punch Pin	14
16	9776365	Punch Actuator	1
	9781390	SureBind Punch Actuator	1

Part Number for Punch Assembly is 9778708, and includes all parts listed above. Part Number for SureBind Punch Assembly is 9778711.

8.0 PARTS LIST

Figure 8-5



Arrestor Screws inserted into groove in Support Bar

8.0 PARTS LIST

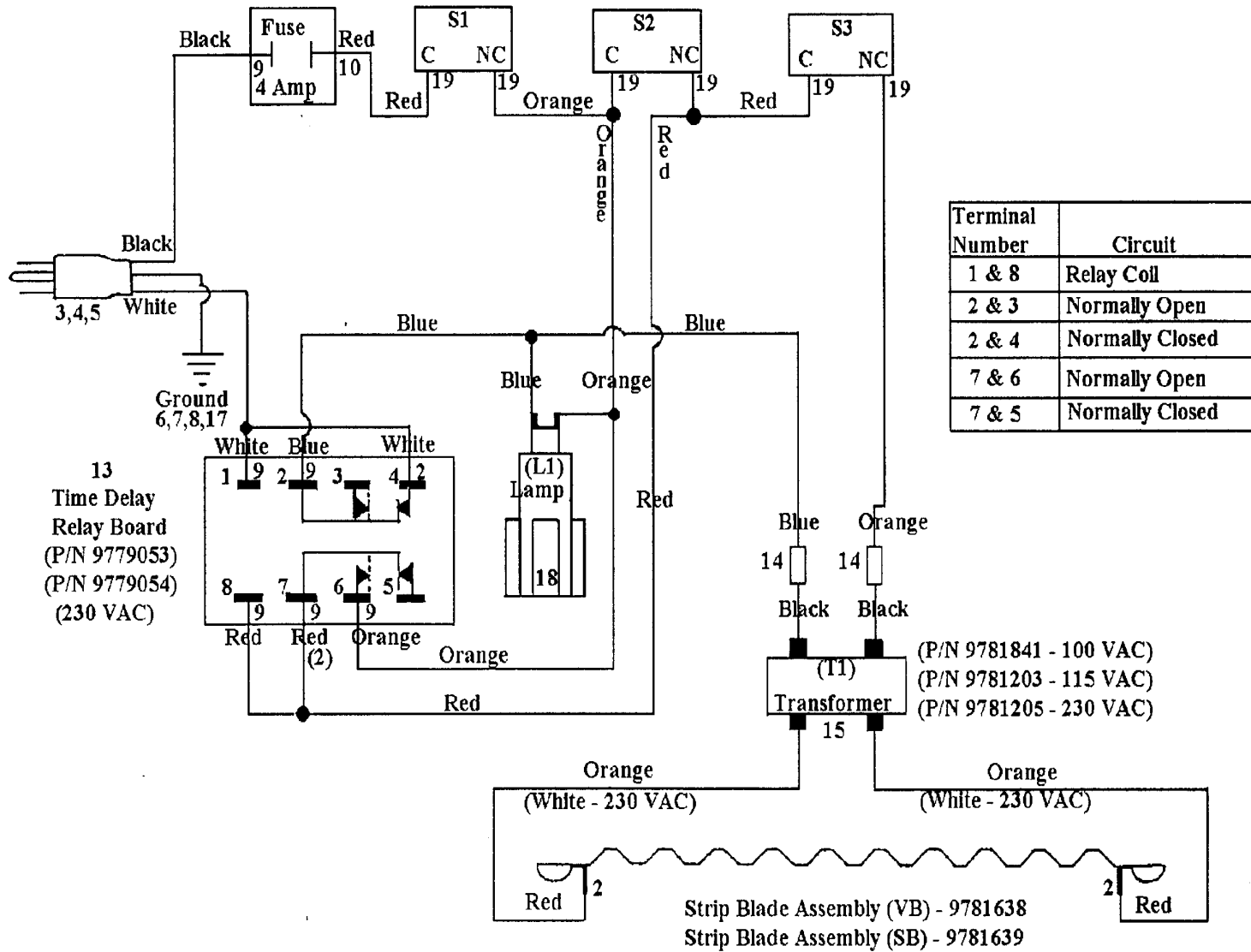
Figure 8-5

ITEM	PART NO.	DESCRIPTION	QTY
1	9779293	Heater Support	1
	9777029	SureBind Heater Support	1
2	9779268	Tensioner Springs	15
3	9781638	Strip Blade Assembly	1
	9781639	SureBind Strip Blade Assembly	1
4	1907834	#4 X 1/2 Slot Head Screw	4
5	1925012	#4 Flat Washer	4
6*	9776336	Heater Retrofit Kit	1
	9781041	SureBind Heater Retrofit Kit	1
7	9778291	Insulator	1
	9781572	SureBind Insulator	1
8	9776664	Heater Support Bar	1
9	9781163	Heater Support Spring	2
10	1907833	4/40 X 1/4 Screw	4
11	9776951	Travel Arrestor - 13 inch	1
	9776952	Travel Arrestor - 2 inch	1
	9781152	SureBind Travel Arrestor	1
	9781153	SureBind Travel Arrestor	1
12	1907831	6/32 X 1/4 Phillips Screw	2
13	1925119	#6 Flat Washer	2

*Heater Retrofit Kits (P/N 9776336 and 9781041 for SureBind) come assembled with items 1, 2, and 3, and are ready to install.

Part Number for Heater Assembly is 9776678, and includes all parts listed above. Part Number for SureBind Heater Assembly is 9777072.

Figure 8-6



8.0 PARTS LIST

Figure 8-6

ITEM	PART NO.	DESCRIPTION	QTY
1	1932123	Cable Tie to Side Plate (N/S)	3
2	9779428	Terminal	
	3		
3	9781346	115 Volt Power Cord Assembly	1
	9781347	230 Volt Power Cord Assembly	1
	9781565	100 Volt Power Cord Assembly	1
4	9778437	Power Cord Label (N/S)	1
5	9776618	Bushing (N/S)	1
6	1901506	8/32 X 1/2 Screw (N/S)	3
7	9779381	Ring Terminal	1
8	1925903	#8 Star Washer (N/S)	4
9	9779425	Terminal	
	5		
10	9780158	Terminal	
	1		
11	1932121	Cable Ties (N/S)	21
12	9779294	Harness Support (N/S)	1
13	9779053	115 VAC Time Delay Relay Board	1
	9779054	230 VAC Time Delay Relay Board	1
14	9776790	Splice Connector	5
15	9784039	115 VAC Transformer	1
	9781205	230 VAC Transformer	1
	9781841	100 VAC Transformer	1
16	1931013	Cable Clamp (N/S)	1
17	1926701	#8 Hex Nut (N/S)	4
18	9778417	115 VAC Indicator Light	1
	9778418	230 VAC Indicator Light	1
19	9779424	Terminal	6

NOTE: (N/S) indicates "not shown" on diagram.