



5031TS CUTTER Parts List

GBC IS AN ACCO BRANDS COMPANY

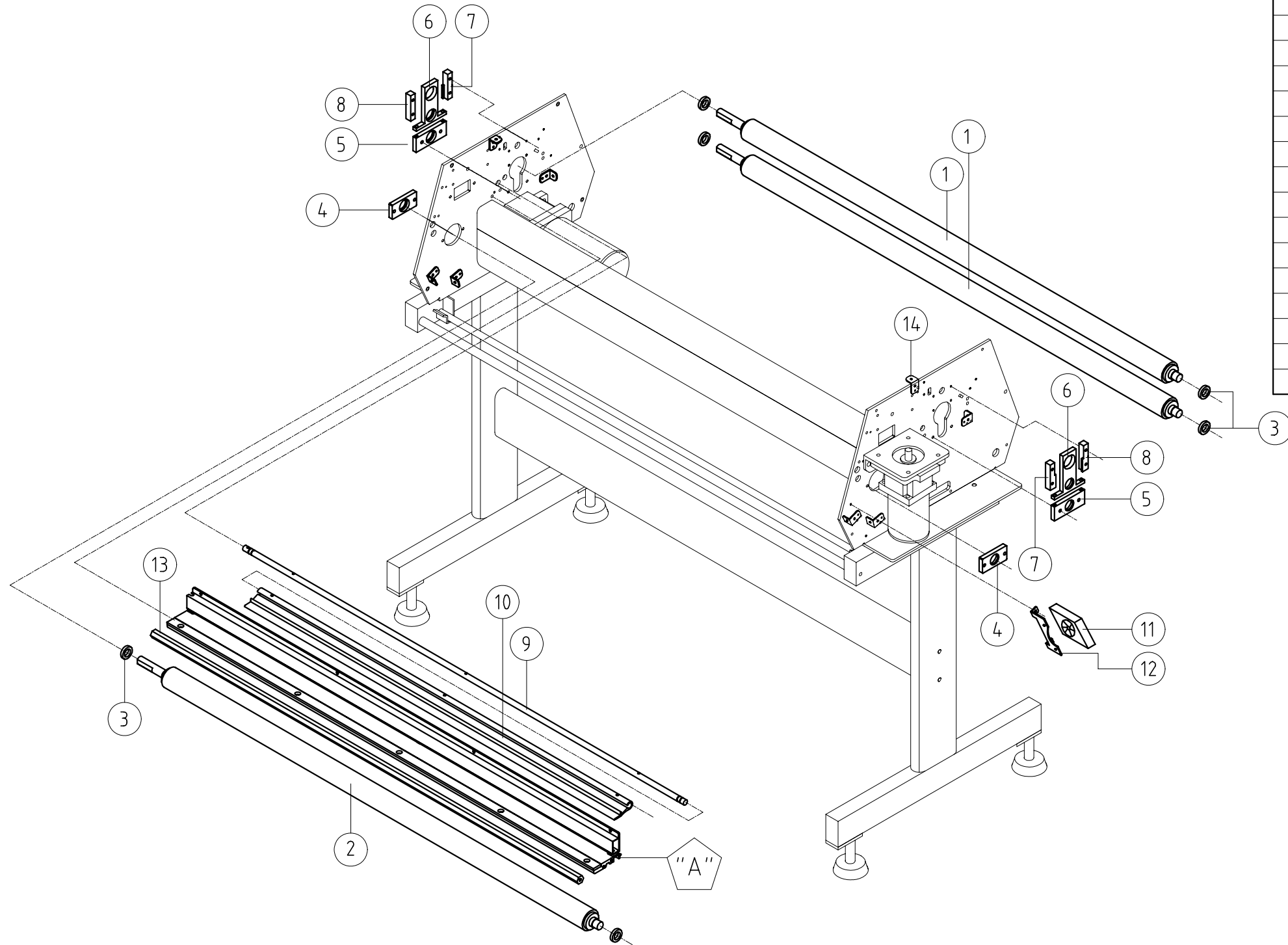


PLEASE READ THIS BEFORE ORDERING PARTS

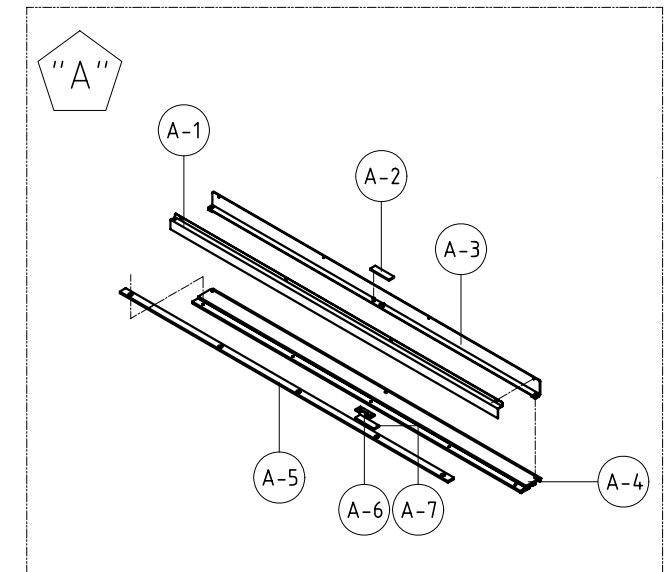
Check the part number on the drawing against the Bill of Material (BOM), which is located after the last page of the parts list to see if there is an old part number associated with the part number on the drawing. If there is an old part number shown on the BOM, order the old part number. If there is no old part number, order the new part number.

(CUTTER)5031TS-ASS'Y-2

ROLLER PART



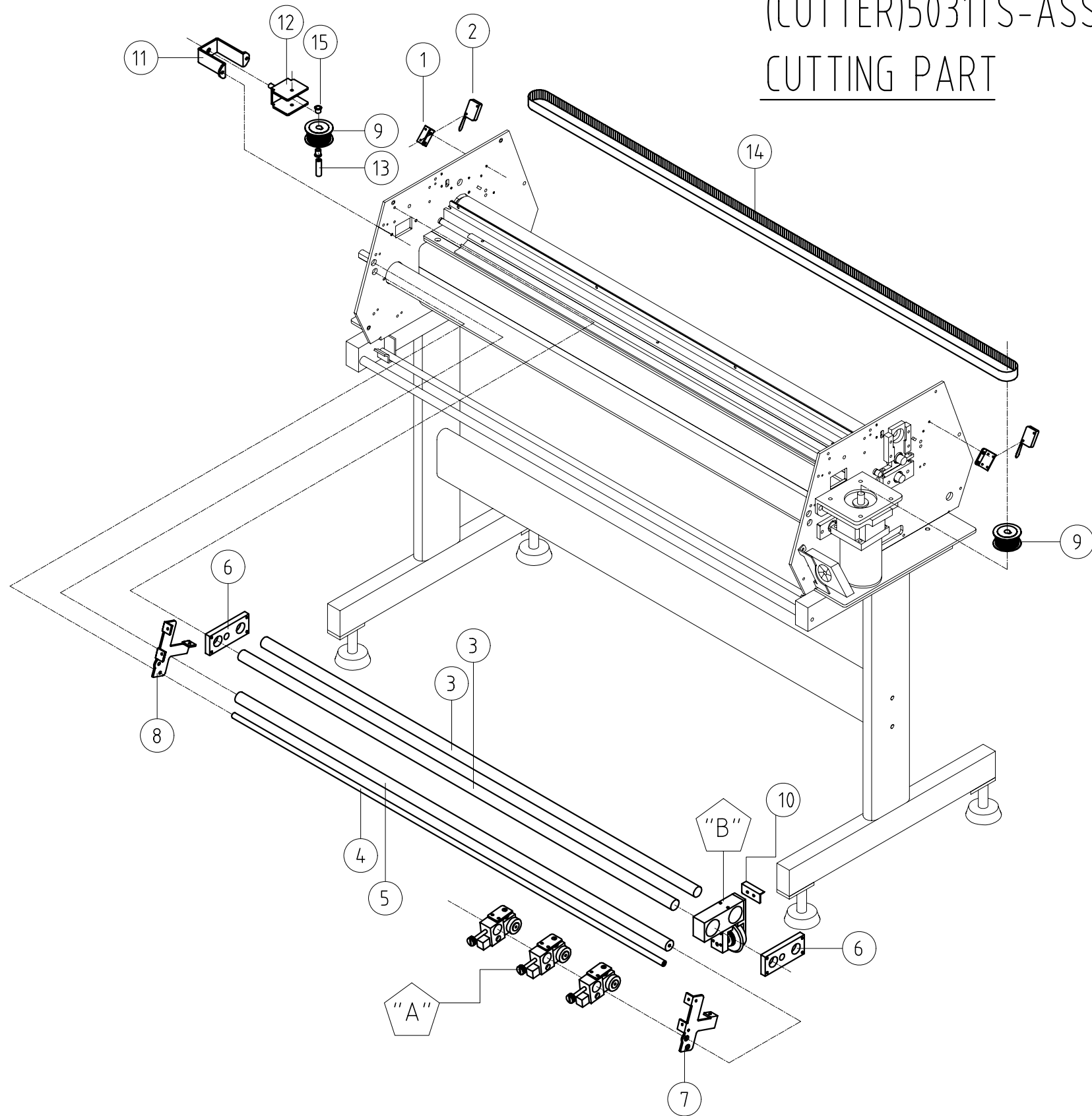
Item No.	Part No.	Part name	Spec	Quantity
1	631800010	D/CUTTER-825ROLLER(MM)	GRAY F34×F40.23×1160	2EA
2	631800320	A/CUTTER-800 ROLLER	S45C 1133×F40×F32(601-45 RED)	1EA
3	635400030	BALL BEARING	6802ZZ	6EA
4	632501402	IDLE BEARING HOUSING	SM45C 60×30×8 F24	2EA
5	632501408	ROLLER SUPPORT BLOCK	SM45C 8×30×74	2EA
6	632501532	ROLLER PRESSURE BLOCK	S45C 8×32×82.5	2EA
7	634200030	ROLLER PRESSURE GUIDE(L)	MC NYLON(BLACK) 54×11.5×11	2EA
8	634200031	ROLLER PRESSURE GUIDE(R)	MC NYLON(BLACK) 54×11.5×11	2EA
9	632501400	PAPER HOLDER SUPPORT BAR	SM45C F10×1085	1EA
10	633600556	PAPER HOLDER	AL6063 20×910 F10.5(TEFRON)	1EA
11	634700035	FAN MOTOR DC 80mm	A8025H24D-RG(DC24V/80MM)	1EA
12	630100469	A/CUTTER FAN BRACKET	SPC2T 108×32.5×14(HB-BK451-XO)	1EA
13	632501413	BLADE SUPPORT BAR(HEX)	SM45C 14×1050	1EA
14	630800074	SURE BACK COVER SUPPORT	FE2.0T×17×43	8EA
A-1	630100481	A/CUTTER PHOTO TR COVER	SPC1.0T 1048×36.5×13.5(EP200-03 GRY-HIP)	1EA
A-2	638900263	PCB ASS'Y A/CUTTER EDGE-DIODE	4PK-EDGE_D	1EA
A-3	630100478	A/CUTTER PHOTO TR BRACKET	SPC 2.0T 1048×37×17.3(EP200-03 GRY-HIP)	1EA
A-4	633600555	A/CUTTER BLADE SUPPORT	AL6063 67.5×1050.0	1EA
A-5	632500192	D/CUTTER KNIFE	SKH9 4.7T×19×1048	1EA
A-6	630100482	A/CUTTER PHOTO LED BRACKET	SPC1.5T 40×21.5(HB-BK451-XO)	1EA
A-7	638900262	PCB ASS'Y A/CUTTER EDGE-TRANSISTOR	4PK-EDGE_T	1EA



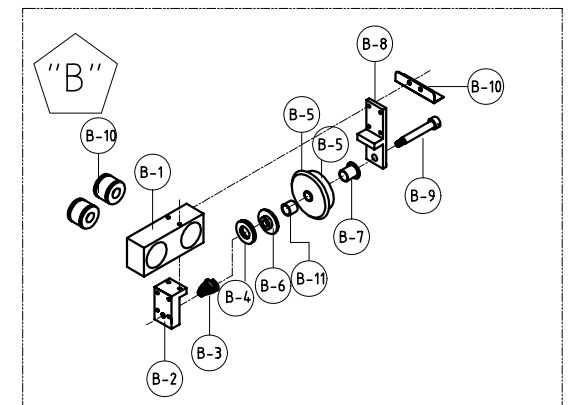
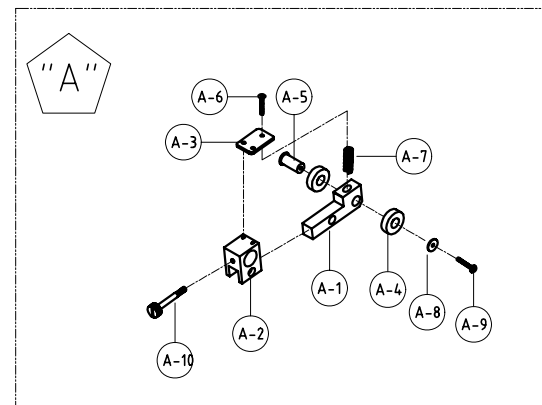
날인되지 않은 도면은 무효

△5		Quantity		Designed	Checked	Approved	Scale	DATE	2006. 02. 23
△4		Material					Unit	MODEL	5031TS
△3		Sur/finish					Project	PART NAME	ROLLER PART
△2		Tolerance						DRAWING No.	
△1		Chamfer						PART CODE	
	REVISION	DATE							

(CUTTER)5031TS-ASS'Y-3 CUTTING PART



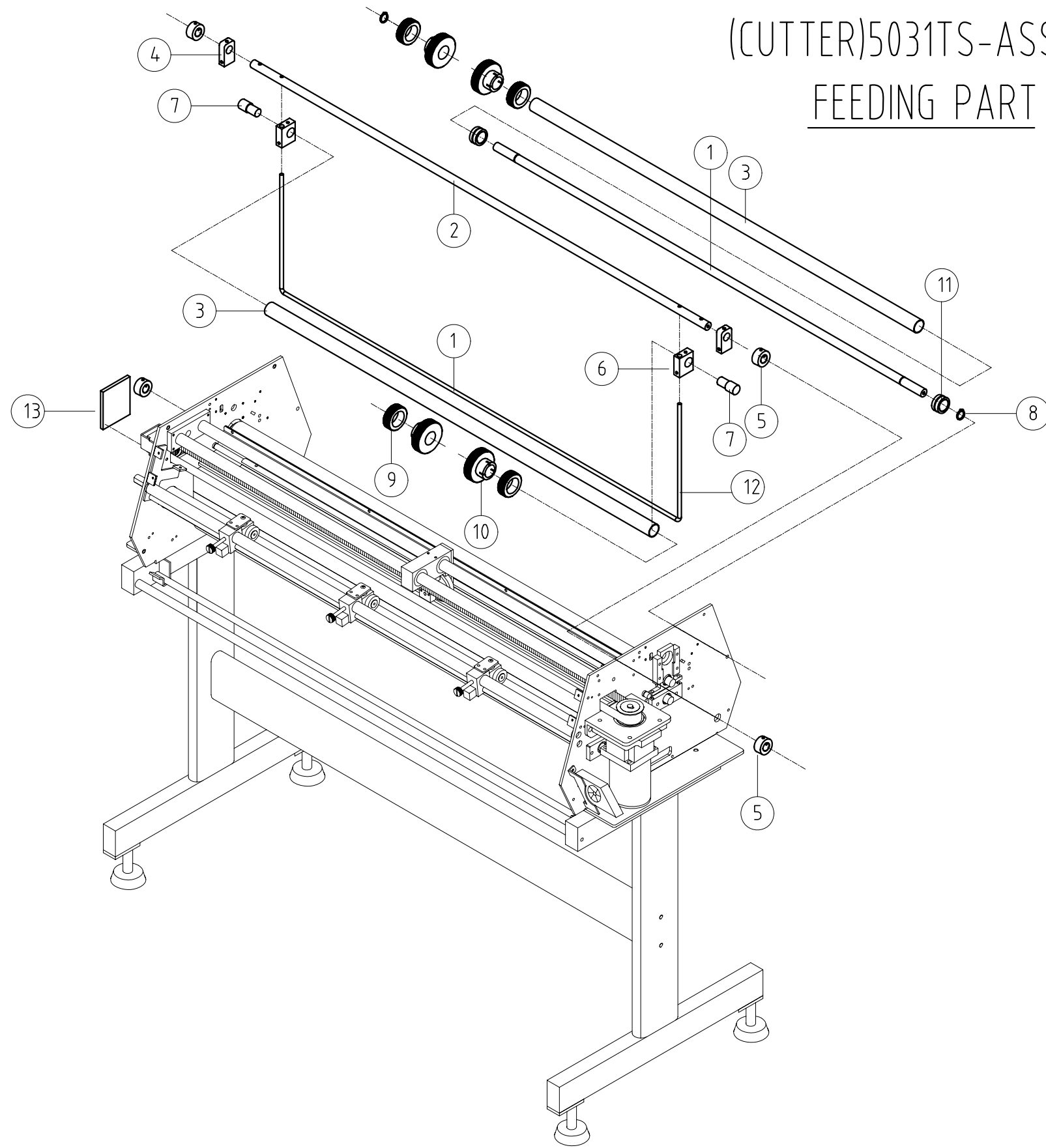
Item No.	Part No.	Part name	Spec	Quantity
1	630600400	MICRO S/와시지대	FE 1.5T 38.5x46	2EA
2	637400025	MICRO SWITCH (EAGLE)	250V/15A(VP-531A-3H)2	2EA
3	632501414	A/CUTTER RAIL BAR	STB F20x1050	2EA
4	632502398	REAR TENSION SHAFT LOW	S45C F10x1044	1EA
5	632502399	REAR TENSION SHAFT UP	S45C F20x1044	1EA
6	632501401	A/CUTTER BLADE SHAFT GUIDE	SM45C 40x10x95 F20	2EA
7	630100970	REAR TENSION SIDEBRACKET LEFT	SPC 3T 104.4x78.5x17	1EA
8	630100971	REAR TENSION SIDEBRACKET RIGHT	SPC 3T 104.4x78.5x17	1EA
9	634100190	Q/CUTTER MOTOR PULLEY(BLADE)	AL19XL075 F35xF10	2EA
10	630100480	A/CUTTER PHOTO SENSOR PANEL	SPC1.0T 62x15x13(EP200-03 GRY-HIP)	2EA
11	630100483	A/CUTTER TAKE UP SUPPORT	SPC3.0T 66x71x27.5(HB-BK451-XO)	1EA
12	630100484	A/CUTTER TAKE UP	SPC3.0T 51x68x34(Cr)/QC80P211	1EA
13	632501412	A/CUTTER PULLY PIN	SM45C F8x28	1EA
14	634100191	Q/CUTTER TIMMING BELT	URETHANE 2600xXL075-OPEN	1EA
15	635500019	DU BUSHING FLANGE	08x08	2EA
A-1	632502395	REAR TENSION ROLLER HOUSING	AL 80x29x15	1EA
A-2	632502396	REAR TENSION ROLL HOUSING GUIDE	AL 40x31x25	1EA
A-3	635400032	REAR TENSION BRACKET	SPC2T 37x25	1EA
A-4	635400032	BALL BEARING	#6001ZZ	6EA
A-5	632502397	Q/CUTTER REAR TENSION ROLLER PIN	S45C F18xF12x38	3EA
A-6	810300059	CAP/B HEXAGON SOCKET HEAD M4	M4.0x20CHS	3EA
A-7	810400101	ROLLER SPRING	1.0Tx24mm	3EA
A-8	810100037	PLATE WASHER	f6.0	3EA
A-9	810300066	CAP/B HEXAGON SOCKET HEAD M5	M5.0x10CHS	3EA
A-10	632500674	EAGLE CORE BUSH BOLT(PL)	FE f8x15x40	3EA
B-1	632501847	BLADE BEARING HOUSING	AL 27.3x40x95/QC80H010	1EA
B-2	632501399	A/CUTTER BELT BRACKET	SM45C 45x27x24	1EA
B-3	810400223	PRESSED COIL SPRING(U/L/TRIM)	SPS6 F25xF13x1.5Tx7관(UL15H031)	1EA
B-4	635400156	THRUST MIDDLE ROLL BEARING ASS'Y	AXK1528+AS	1EA
B-5	632501262	E/U LAMI TRIM ROTATE KNIFE	SKH-9 4.0T F65xF12 (HRC 58)	1EA
B-5-1	634300043	D/CUTTER REAR TRIMMER BUSH(PL)	SILICON S45C F46x18.5	1EA
B-6	632501404	A/CUTTER BLADE SPRING CAP	BS F30xF15x6.5	1EA
B-7	635500019	DU BUSHING FLANGE	08x08	1EA
B-8	632501398	A/CUTTER BLADE BRACKET	SM45C 81.5x27x5	1EA
B-9	632500266	D/CUTTER TRIMMER BOLT(PL)	S45C F12xF8xM6x53	1EA
B-10	635400114	BALL BUSH BEARING	LM20UU	2EA
B-11	635500095	DU BUSHING TUBE	08x08	1EA



날인되지 않은 도면은 무효


△5	Quantity	Designed	Checked	Approved	Scale	DATE	2006. 02. 23
△4	Material				Unit	MODEL	5031TS
△3	Sur/finish				Project	PART NAME	CUTTING PART
△2	Tolerance				GMP GMP CO., LTD	DRAWING No.	
△1	Chamfer					PART CODE	
	REVISION	DATE					

(CUTTER)5031TS-ASS'Y-4
FEEDING PART

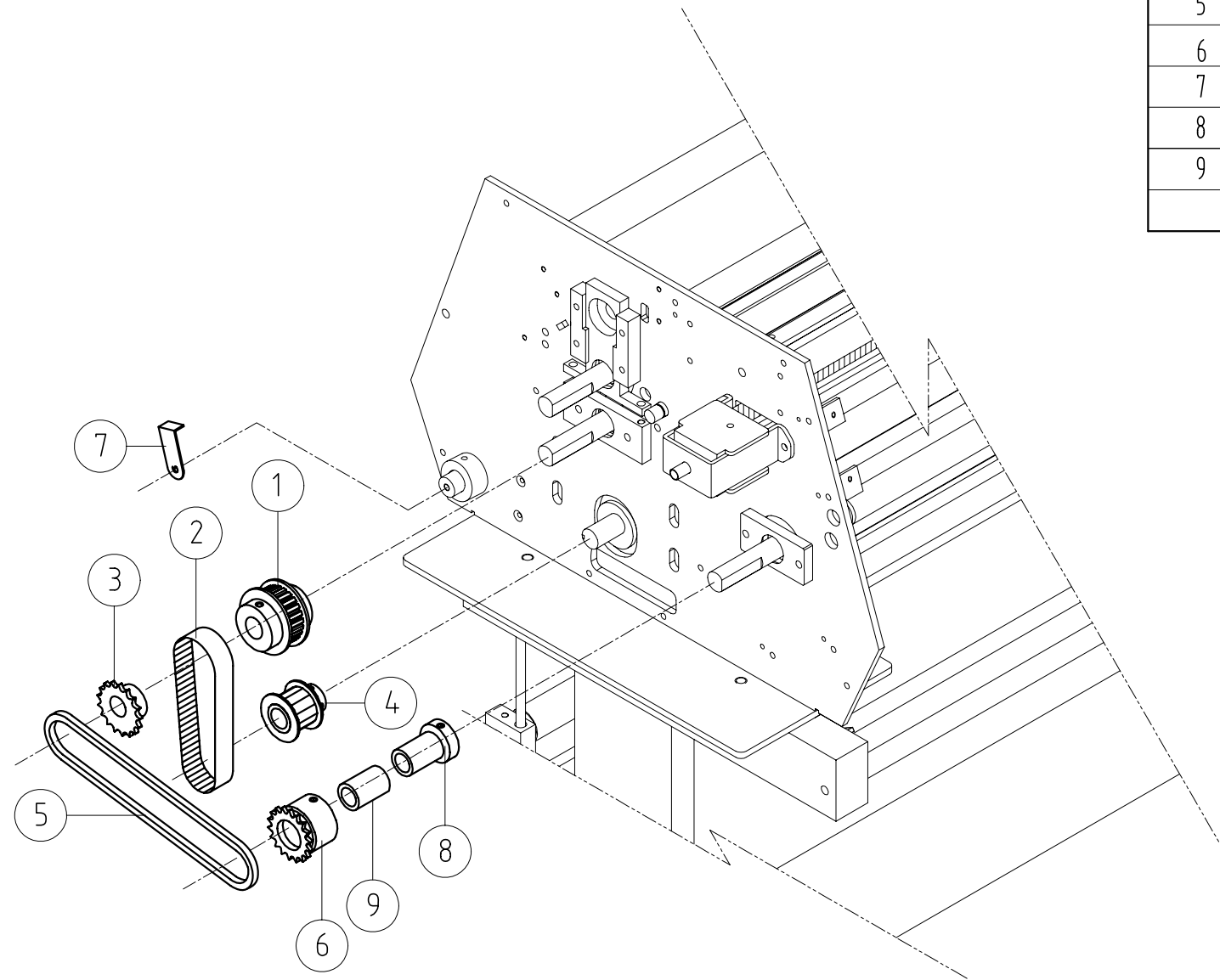


Item No.	Part No.	Part name	Spec	Quantity
1	632501415	IDLE ROLLER SHAFT(UP)	S45C F15x1050(PL)	1EA
2	632501416	IDLE ROLLER(LOW)	S45C F15x1117(PL)	1EA
3	632500251	D/CUTTER IDLE ROLLER(PL)	AL F25xF23x944	2EA
4	632500244	ACCESE SHAFT SUPPORT(PL)	SM25C 12Tx25x46	2EA
5	632500248	IDLE ROLLER SHAFT BUSH(PL)	S45C F30xF15x15	4EA
6	632501418	A/CUTTER GUIDE SHAFT BLOCK	SM45C 40x33x14	2EA
7	634200023	A/CUTTER GUIDE SHAFT PIN	MC(BLACK) F18x40	2EA
8	810400068	SPRING S RING	15	2EA
9	634200022	A/CUTTER PAPER GUIDE NUT	MC(BLACK) F45x15	4EA
10	634200021	A/CUTTER PAPER GUIDE	MC NYLON(BLACK) F60xF25.1x30	4EA
11	635400073	NIDDLE ROLL BEARING	NK15/16A	2EA
12	630100042	D/CUTTER ACCESE SHAFT	AL F8x978x400	1EA
13	638900261	PCB ASS'Y A/CUTTER SHORTAGE BAR	4PK-AC80P11	1EA

날인되지 않은 도면은 무효


△5		Quantity		Designed	Checked	Approved	Scale	DATE	2006. 02. 23
△4		Material					Unit	MODEL	5031TS
△3		Sur/finish					Project	PART NAME	FEEDING PART
△2		Tolerance						DRAWING No.	
△1		Chamfer						PART CODE	
	REVISION		DATE				 GMP CO., LTD		

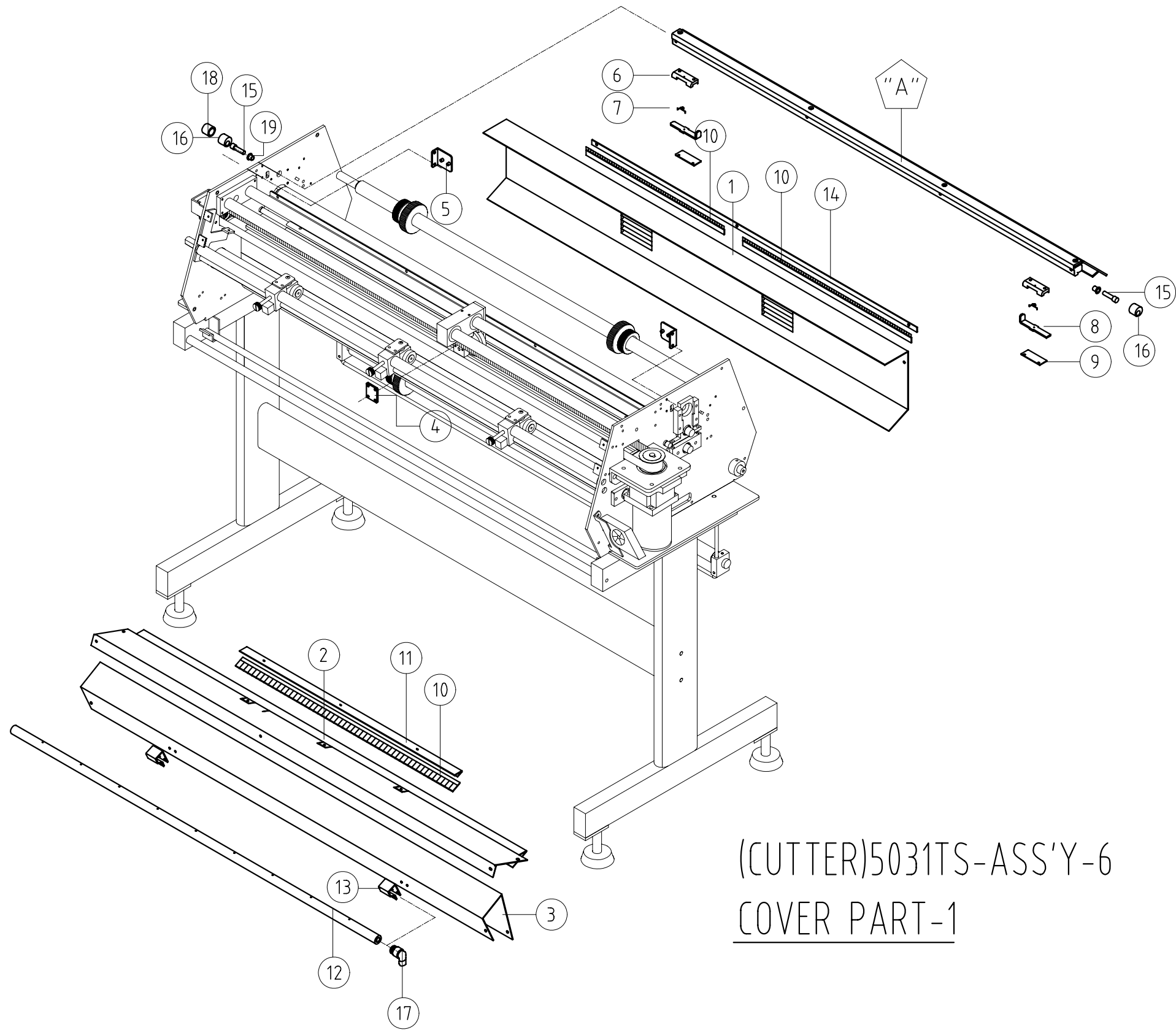
(CUTTER)5031TS-ASS'Y-5
DRIVING PART



Item No.	Part No.	Part name	Spec	Quantity
1	634100023	D/CUTTER ROLLER PULLEY	24xL05xF15x27.9	1EA
2	634100181	A/CUTTER TIMMING BELT	281 XL075	1EA
3	635800028	STEEL 1/4CHAIN GEAR	19TxF15	1EA
4	634100178	A/CUTTER MOTOR PULLEY	AL F35xL075x20x34.2	1EA
5	635700140	ROLLER CHAIN RS25H	RS25H(34.5PCS)	1EA
6	635800311	STEEL 1/4CHAIN GEAR	18T F26xF35(A/CUTTER IDLE SPROCKET)	1EA
7	630100496	A/CUTTER SWING PLATE	SUS 1.0T F15x30x9	1EA
8	632501403	A/CUTTER IDLE PIN	SM45C F20xF24x48	1EA
9	635400121	ONEWAY BEARING	FC20	1EA

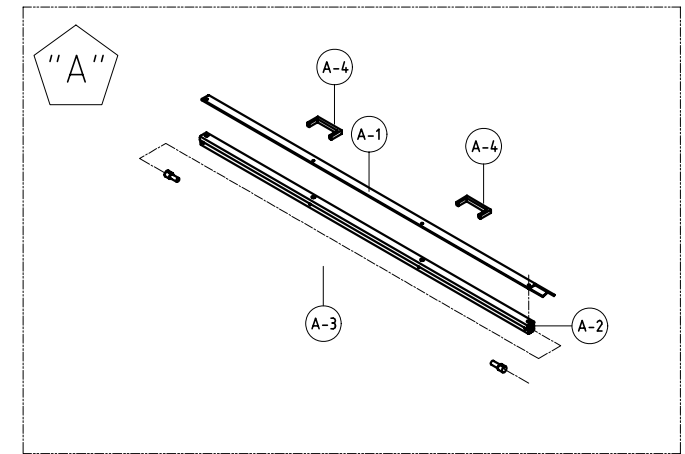
날인되지 않은 도면은 무효

△5		Quantity		Designed	Checked	Approved	Scale	DATE	2006. 02. 23
△4		Material					Unit	MODEL	5031TS
△3		Sur/finish					Project	PART NAME	DRIVING PART
△2		Tolerance		 GMP CO., LTD			DRAWING No.		
△1		Chamfer					PART CODE		
	REVISION	DATE	Round						



(CUTTER)5031TS-ASS'Y-6
COVER PART-1

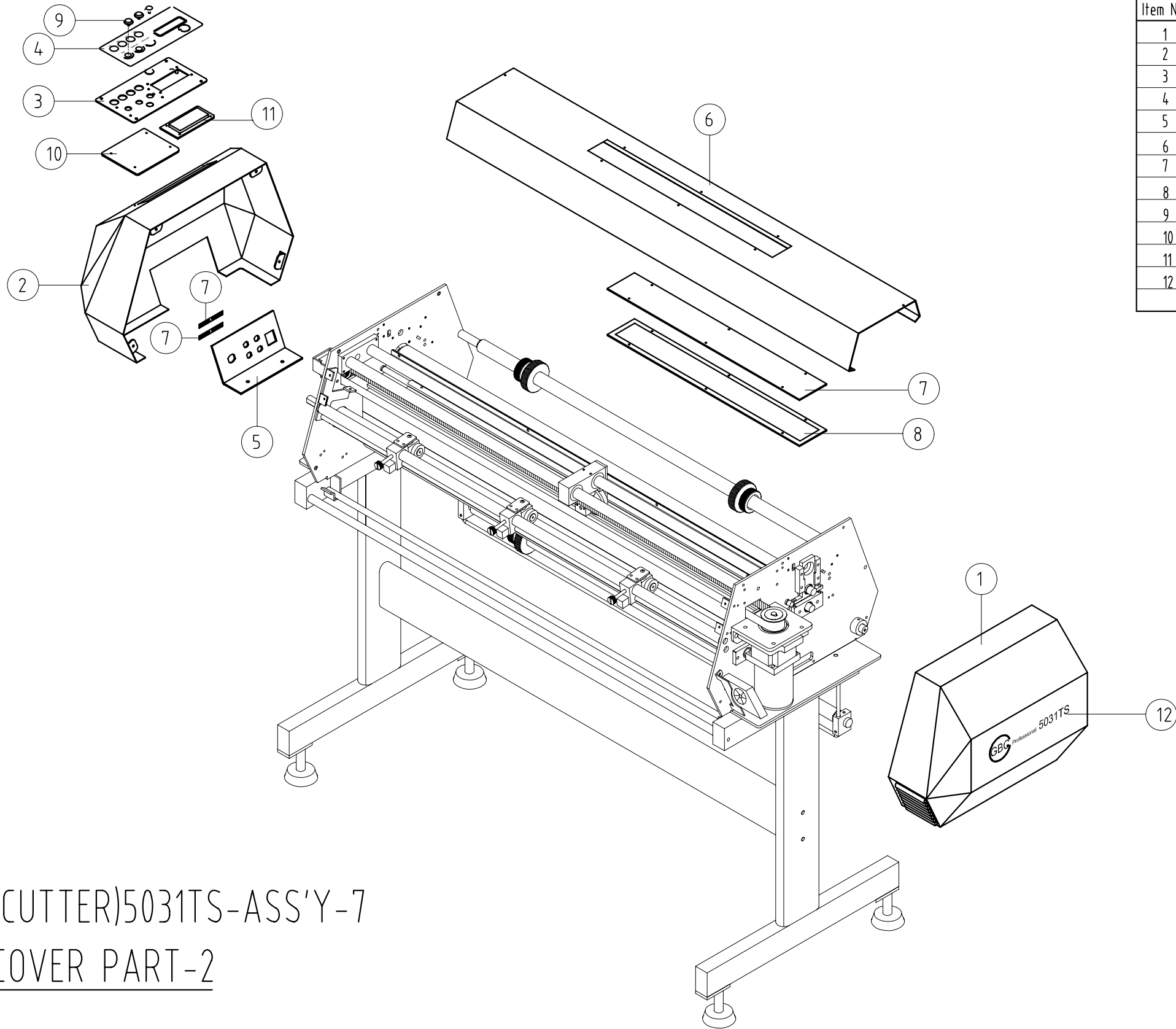
Item No.	Part No.	Part name	Spec	Quantity
1	630100966	A/CUTTER FRONT COVER	SPC1.5T 1048×60×130(EP200-04 GRY-HIP)	1EA
2	630100968	Q/CUTTER TOP REAR COVER	SPC1.5T 1048×24×90.5	1EA
3	630100967	A/CUTTER REAR COVER	SPC1.5T 1048×120(EP200-04 GRY-HIP)	1EA
4	630100495	A/CUTTER TIMMING BELT HOLDER	SPC 3.0T 27.3×32(PL)	1EA
5	630100468	PHOTO SENSOR BRACKET(BLADE)	SPC2T 36×16×38(HB-BK451-X0)	2EA
6	633200036	EXCELAM II TABLE LEVER GUIDE	PC 49×19×8.7(920-70625)	2EA
7	810400161	LEVER SPRING(EXCELAM II)	0.6T×F4×7.7	2EA
8	630100472	A/CUTTER LEVER	SPC3.0T 70×24×11	2EA
9	630600101	EXCELAM II TABLE LEVER BRACKET	SPC 2.0T×49×19(PL)	2EA
10	630100975	Q/CUTTER ANTISTATIC BRUSH BRACKET	SPC1.5T 15.6×18.6×500	1EA
11	635900104	ANTISTATIC BRUSH(Q-CUTTER)	AL1.0T 10×30×44.5(SUS FIBER)	3EA
12	632502400	Q/CUTTER AIR BLOWER	STKM F27.3×950	1EA
13	630100974	Q/CUTTER AIR BLOWER HOUSING	SPC 2T 25×34.5×21.5	2EA
14	630100973	Q/CUTTER ANTISTATIC BRUSH BRACKET(FRONT)	SPC 1.5T 17×852	1EA
15	632501530	Q/CUTTER ROLLER CAM HOUSING	S45C F12×F10×55	2EA
16	632501531	Q/CUTTER ROLLER CAM	S45C F18×F15	2EA
17	634100110	FITTING(ONE TOUCH)JAGUAR	KQ2L12-02S(F12×1/4)	1EA
18	635400125	DRAWN CUP NIDDLE BEARING	HK1812	2EA
19	635500025	DU BUSHING FLANGE	10×06(JAPAN)	2EA
A-1	630100503	Q/CUTTER SHIELD COVER	PC3.0T 104.7×124.2/QC80P052	1EA
A-2	633600608	Q/CUTTER PC COVER CAP(UP)	AL6063 26×22×1048(EP200-03 GRY-HIP)	1EA
A-3	632501530	Q/CUTTER ROLLER CAM HOUSING	S45C F12×F10×55	2EA
A-4	634100015	U-HANDLES(MERCURY)	AL 110×30(UN110)	2EA



날인되지 않은 도면은 무효

REVISION	DATE	Quantity	Material	Sur/finish	Tolerance	Chamfer	Round	Designed	Checked	Approved	Scale	DATE	2006. 02. 23
5											Unit	MODEL	5031TS
4											Project	PART NAME	COVER PART-1
3												DRAWING No.	
2												PART CODE	
1													




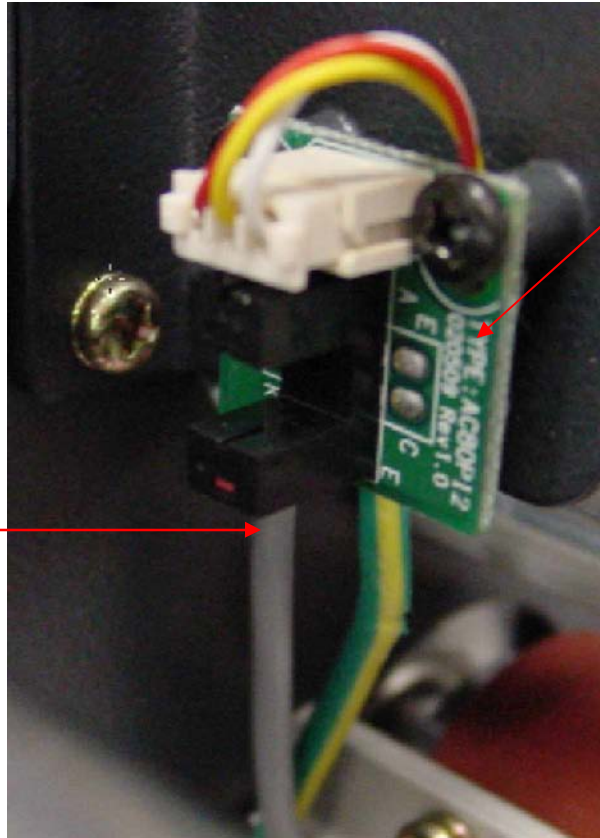


Item No.	Part No.	Part name	Spec	Quantity
1	630100490	A/CUTTER SIDE COVER(L)	SPC1.2T 444.5x282x4x145.0(EP200-03 GRY-H	1EA
2	630100491	A/CUTTER SIDE COVER(R)	SPC 1.2T 444.5x282.4x145(EP200-03 GRY-HI	1EA
3	630100467	A/CUTTER CONTROL PANEL	SPC2T 103x193(EP200-03 GRY-HIP)	1EA
4	810900203	CONTROL PANEL STICKER(GBC)	PC0.3T 191x83	1EA
5	630101192	A/CUTTER POWER PANEL(GBC)	SPC3.0T 160x75(EP200-03 GRY-HIP)	1EA
6	630100961	Q/CUTTER TOP COVER	SPC1.5T 1048x291.6(EP200-03 GRY-HIIP)	1EA
7	630100510	Q/CUTTER WINDOW PLATE	PC2.0T 70x501	1EA
8	630100511	Q/CUTTER WINDOW PLATE HOUSING	SPC1.5T 70x501	1EA
9	633300110	프라스틱 KNOB(DS-400/1200)	NYLON66 F20.0x9mm	3EA
10	638400120	PCB ASS'Y A/CUTTER DISPLAY	AC800D REV3.0(2004.0203)	1EA
11	633300110	LCD MODULE ASS'Y (AUTO CUTTER 800)	UMS-3066JD-G	1EA
12	810900204	PROFEESIONAL 5031TS STICKER	EASI CUT	1EA

(CUTTER)5031TS-ASS'Y-7
COVER PART-2

날인되지 않은 도면은 무효

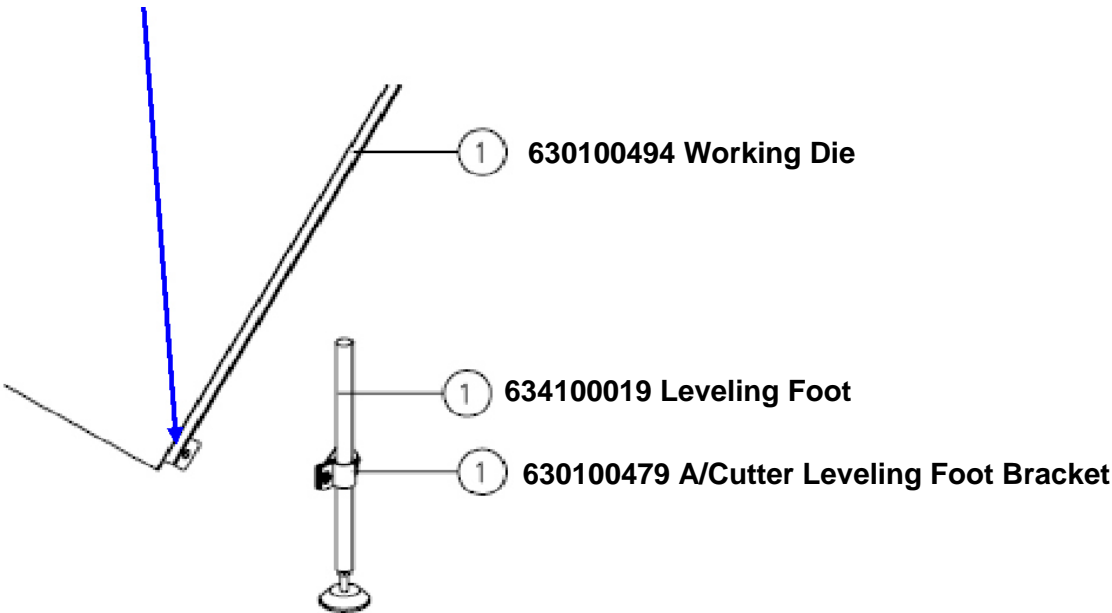
△5		Quantity		Designed	Checked	Approved	Scale	DATE	2006. 02. 23
△4		Material					Unit	MODEL	5031TS
△3		Sur/finish					Project	PART NAME	COVER PART-2
△2		Tolerance						DRAWING No.	
△1		Chamfer						PART CODE	
	REVISION		DATE				 GMP CO., LTD		



**P/N# 638900265
Cutter Interrupter Board**

**P/N# 638002209
Cutter Interrupter
Cable & Connector**

* Cutter Working Die Ass'y Parts Number



5031TS-Cutter

Required

No.	Part No.	Description	Spec	unit	Q'ty	Old P/N
1	630100042	D/CUTTER ACCESE SHAFT	AL F8*978*400	pcs	1	601310742
2	630100138	JAGUAR ENCORDER FIX PLATE	SPC 3T F60*8/JA70P450	pcs	1	601410229
3	630100467	A/CUTTER CONTROL PANEL	SPC2T 103*193(EP200-03 GRY-HIP)	pcs	1	
4	630100468	A/CUTTER PHOTO SENSOR BRACKET(BLAD	SPC2T 36*16*38(HB-BK451-XO)	pcs	2	
5	630100469	A/CUTTER FAN BRACKET	SPC2T 108*32.5*14(HB-BK451-XO)	pcs	1	
6	630100470	A/CUTTER PHOTO SENSOR BRACKET(MOTC	SPC1.5T 60*53*43(HB-BK451-XO)	pcs	1	
7	630100472	A/CUTTER LEVER	SPC3.0T 70*24*11	pcs	2	
8	630100478	A/CUTTER PHOTO TR BRACKET	SPC 2.0T 1048*37*17.3(EP200-03 GRY-HIP)	pcs	1	
9	630100479	A/CUTTER LEVELING FOOT BRACKET	SPC5.0T 70*50*50(HB-BK451-XO)	pcs	2	
10	630100480	A/CUTTER PHOTO SENSOR PANEL	SPC1.0T 62*15*13(EP200-03 GRY-HIP)	pcs	1	
11	630100481	A/CUTTER PHOTO TR COVER	SPC1.0T 1048*36.5*13.5(EP200-03 GRY-HIP)	pcs	1	
12	630100482	A/CUTTER PHOTO LED BRACKET	SPC1.5T 40*21.5(HB-BK451-XO)	pcs	1	
13	630100483	A/CUTTER TAKE UP SUPPORT	SPC3.0T 66*71*27.5(HB-BK451-XO)	pcs	1	
14	630100484	A/CUTTER TAKE UP	SPC3.0T 51*68*34(Cr)/QC80P211	pcs	1	
15	630100487	A/CUTTER MOTOR BRACKET	SPC5.0T+2.0T 101*114*40(HB-BK451-XO)	pcs	1	
16	630100490	A/CUTTER SIDE COVER(L)	SPC1.2T 444.5*282*4*145.0(EP200-03 GR)	pcs	1	
17	630100491	A/CUTTER SIDE COVER(R)	SPC 1.2T 444.5*282.4*145(EP200-03 GRY-	pcs	1	
18	630100494	A/CUTTER WORKING DIE	1000*890(HB-BK451-XO)	pcs	1	
19	630100495	A/CUTTER TIMMING BELT HOLDER	SPC 3.0T 27.3*32(PL)	pcs	1	
20	630100496	A/CUTTER SWING PLATE	SUS 1.0T F15*30*9	pcs	1	
21	630100503	Q/CUTTER SHIELD COVER	PC3.0T 1047*124.2/QC80P052	pcs	1	
22	630100505	Q/CUTTER STAND CONNECTOR	SPSR2.3T 100*30*1050(HB-BK451-XO)	pcs	1	
23	630100506	Q/CUTTER STAND(L)	SPSR2.3T 351*500*590	pcs	1	
24	630100507	Q/CUTTER STAND(R)	SPSR2.3T 351*500*590(HB-BK451-XO)	pcs	1	
25	630100510	Q/CUTTER WINDOW PLATE	PC2.0T 70*501	pcs	1	
26	630100511	Q/CUTTER WINDOW PLATE HOUSING	SPC1.5T 70*501	pcs	1	
27	630100520	Q/CUTTER GUIDE PANEL(SIDE)	SPC 3.0T*50*100*500(HB-BK451-XO)	pcs	1	
28	630100521	Q/CUTTER GUIDE PANEL(BOTTOM)	SPC 3.0T*50*105*500(HB-BK451-XO)	pcs	1	
29	630100961	Q/CUTTER TOP COVER	SPC1.5T 1048*291.6(EP200-03 GRY-HIIP)	pcs	1	
30	630100962	Q/CUTTER SIDE PLATE(L)	SPC5.0T 279*441(HB-BK-451-XO)/P132	pcs	1	
31	630100963	Q/CUTTER SIDE PLATE(R)	SPC5.0T 279*441(HB-BK-451-XO)/P122	pcs	1	
32	630100964	A/CUTTER PCB PLATE(HOT)	SPC2T 345*134.5	pcs	1	

33	630100965	A/CUTTER PCB SUPPORT	SPC 2.0T 449*100(EP200-03 GRY-HIP)	pcs	1	
34	630100966	A/CUTTER FRONT COVER	SPC1.5T 1048*60*130(EP200-04 GRY-HIP)	pcs	1	
35	630100967	A/CUTTER REAR COVER	SPC1.5T 1048*120(EP200-04 GRY-HIP)	pcs	1	
36	630100968	Q/CUTTER TOP REAR COVER	SPC1.5T 1048*24*90.5	pcs	1	
37	630100969	Q/CUTTER REAR TENSION BRACKET	SPC2T 37*25	pcs	3	
38	630100970	Q/CUTTER REAR TENSION SIDEBRACKET L	SPC 3T 104.4*78.5*17	pcs	1	
39	630100971	Q/CUTTER REAR TENSION SIDEBRACKET R	SPC 3T 104.4*78.5*17	pcs	1	
40	630100972	Q/CUTTER FRONT FAN BRACKET	SPC3T 108*45*24	pcs	2	
41	630100973	Q/CUTTER ANTISTATIC BRUSH BRACKET(FR	SPC 1.5T 17*852	pcs	1	
42	630100974	Q/CUTTER AIR BLOWER HOUSING	SPC 2T 25*34.5*21.5	pcs	2	
43	630100975	Q/CUTTER ANTISTATIC BRUSH BRACKET	SPC1.5T 15.6*18.6*500	pcs	1	
44	630101192	A/CUTTER POWER PANEL(GBC)	SPC3.0T 160*75(EP200-03 GRY-HIP)	pcs	1	
45	630600101	EXCELAM II TABLE LEVER BRACKET	SPC 2.0T*49*19(PL)	pcs	2	601250179
46	630600400	MICRO S/W	FE 1.5T 38.5*46	pcs	2	601310508
47	630800074	SURE BACK COVER SUPPORT	FE2.0T*17*43	pcs	8	601211157
48	631800010	D/CUTTER-825ROLLER(MM)	GRAY F34*F40.23*1160	pcs	2	607060013
49	631800320	A/CUTTER-800 ROLLER	S45C 1133*F40*F32(601-45 RED)	pcs	1	
50	632500192	D/CUTTER KNIFE	SKH9 4.7T*19*1048	pcs	1	613050303
51	632500244	D/CUTTER ACCESE SHAFT SUPPORT(PL)	SM25C 12T*25*46	pcs	2	613070101
52	632500248	D/CUTTER IDLE ROLLER SHAFT BUSH(PL)	S45C F30*F15*15	pcs	4	613070105
53	632500251	D/CUTTER IDLE ROLLER(PL)	AL F25*F23*944	pcs	2	613070108
54	632500266	D/CUTTER TRIMMER BOLT(PL)	S45C F12*F8*M6*53	pcs	1	613070123
55	632501262	E/U LAMI TRIM ROTATE KNIFE	SKH-9 4.0T F65*F12 (HRC 58)(EU00H132)	pcs	1	613050461
56	632501378	FALCON SENSING BUSH	Bs F30*F8*17	pcs	1	613020775
57	632501398	A/CUTTER BLADE BRACKET	SM45C 81.5*27*5	pcs	1	
58	632501399	A/CUTTER BELT BRACKET	SM45C 45*27*24	pcs	1	
59	632501400	A/CUTTER PAPER HOLDER SUPPORT BAR	SM45C F10*1085	pcs	1	
60	632501401	A/CUTTER BLADE SHAFT GUIDE	SM45C 40*10*95 F20	pcs	2	
61	632501402	A/CUTTER IDLE BEARING HOUSING	SM45C 60*30*8 F24	pcs	2	
62	632501403	A/CUTTER IDLE PIN	SM45C F20*F24*48	pcs	1	
63	632501404	A/CUTTER BLADE SPRING CAP	BS F30*F15*6.5	pcs	1	
64	632501408	A/CUTTER ROLLER SUPPORT BLOCK	SM45C 8*30*74	pcs	2	
65	632501409	A/CUTTER HANGER SHAFT	SM45C F12*1047	pcs	2	
66	632501410	A/CUTTER AUX TABLE SUPPORT BAR	SM45C F15*1050	pcs	1	
67	632501412	A/CUTTER PULLY PIN	SM45C F8*28	pcs	1	
68	632501413	A/CUTTER BLADE SUPPORT BAR(HEX)	SM45C 14*1050	pcs	1	

69	632501414	A/CUTTER RAIL BAR	STB F20*1050	pcs	2	
70	632501415	A/CUTTER IDLE ROLLER SHAFT(UP)	S45C F15*1050(PL)	pcs	1	
71	632501416	A/CUTTER IDLE ROLLER(LOW)	S45C F15*1117(PL)	pcs	1	
72	632501418	A/CUTTER GUIDE SHAFT BLOCK	SM45C 40*33*14	pcs	2	
73	632501530	Q/CUTTER ROLLER CAM HOUSING	S45C F12*F10*55	pcs	2	
74	632501531	Q/CUTTER ROLLER CAM	S45C F18*F15	pcs	2	
75	632501532	Q/CUTTER ROLLER PRESSURE BLOCK	S45C 8*32*82.5	pcs	2	
76	632501847	Q/CUTTER BLADE BEARING HOUSING	AL 27.3*40*95/QC80H010	pcs	1	
77	632502395	Q/CUTTER REAR TENSION ROLLER HOUSING	AL 80*29*15	pcs	3	
78	632502396	Q/CUTTER REAR TENSION ROLL HOUSING	AL 40*31*25	pcs	3	
79	632502397	Q/CUTTER REAR TENSION ROLLER PIN	S45C F18*F12*38	pcs	3	
80	632502398	Q/CUTTER REAR TENSION SHAFT LOW	S45C F10*1044	pcs	1	
81	632502399	Q/CUTTER REAR TENSION SHAFT UP	S45C F20*1044	pcs	1	
82	632502400	Q/CUTTER AIR BLOWER	STKM F27.3*950	pcs	1	
83	633000212	Q CUTTER-800 BASKET	PVC 1000*850	pcs	1	
84	633200036	EXCELAM II TABLE LEVER GUIDE	PC 49*19*8.7(920-70625)	pcs	2	604022109
85	633300110	plastic KNOB(DS-400/1200)	NYLON66 F20.0*9mm	pcs	3	703021006
86	633600555	A/CUTTER BLADE SUPPORT	AL6063 67.5*1050.0	pcs	1	
87	633600556	A/CUTTER PAPER HOLDER	AL6063 20*910 F10.5(TEFRON)	pcs	1	
88	633600557	A/CUTTER FRAME	AL6063 2.0T*1050(EP200-03 GRY-HIP)	pcs	1	
89	633600608	Q/CUTTER PC COVER CAP(UP)	AL6063 26*22*1048(EP200-03 GRY-HIP)	pcs	1	
90	633800052	Q/CUTTER HEATSINK	AL 6063 60*31.5*345	pcs	1	
91	634100015	U-HANDLES(MERCURY)	AL 110*30(UN110)	pcs	2	703070365
92	634100019	LEVELLING FOOT	F65*M12*100	pcs	2	703070206
93	634100023	D/CUTTER ROLLER PULLEY	24*L05*F15*27.9	pcs	1	703070262
94	634100110	FITTING(ONE TOUCH)JAGUAR	KQ2L12-02S(F12*1/4)	pcs	1	703070355
95	634100143	SENSING DISK	200 P.P.R	pcs	1	703070373
96	634100173	METAL MAGNET	3.0T*20*30(3000 GAUS)	pcs	6	604620101
97	634100178	A/CUTTER MOTOR PULLEY	AL F35*L075*20*34.2	pcs	1	
98	634100181	A/CUTTER TIMMING BELT	281 XL075	pcs	1	
99	634100190	Q/CUTTER MOTOR PULLEY(BLADE)	AL19XL075 F35*F10	pcs	2	
100	634100191	Q/CUTTER TIMMING BELT	URETHANE 2600*XL075-OPEN	pcs	1	
101	634100192	LEVELING FOOT	F65*M12*100 (RUBBER)	pcs	4	
102	634200021	A/CUTTER PAPER GUIDE	MC NYLON(BLACK) F60*F25.1*30	pcs	4	
103	634200022	A/CUTTER PAPER GUIDE NUT	MC(BLACK) F45*15	pcs	4	
104	634200023	A/CUTTER GUIDE SHAFT PIN	MC(BLACK) F18*40	pcs	2	

105	634200030	Q/CUTTER ROLLER PRESSURE GUIDE(L)	MC NYLON(BLACK) 54*11.5*11	pcs	2	
106	634200031	Q/CUTTER ROLLER PRESSURE GUIDE(R)	MC NYLON(BLACK) 54*11.5*11	pcs	2	
107	634700024	fan motor AC 80mm square	230V50HZ	pcs	2	609040206
108	634700035	FAN MOTOR DC 80mm	A8025H24D-RG(DC24V/80MM)	pcs	3	
109	635000024	DC GEARED MOTOR	S9D120-36K(0B26) 120W/DC36V	pcs	1	
110	635000034	DC GEARED MOTOR	120W/36V/3000RPM(OA30 10:1)	pcs	1	
111	635300099	TRANSFORMER GM9661S-234	230V/36V-6.0A	pcs	1	610011706
112	635400030	BALL BEARING	6802ZZ	pcs	6	701010151
113	635400032	BALL BEARING	#6001ZZ	pcs	6	701010153
114	635400073	NIDDLE ROLL BEARING	NK15/16A	pcs	4	701020232
115	635400114	BALL BUSH BEARING	LM20UU	pcs	2	701010127
116	635400121	ONEWAY BEARING	FC20	pcs	1	
117	635400125	DRAWN CUP NIDDLE BEARING	HK1812	pcs	2	
118	635500019	DU BUSHING FLANGE	08*08	pcs	2	701050224
119	635500025	DU BUSHING FLANGE	10*06(JAPAN)	pcs	2	701050232
120	635500095	DU BUSHING TUBE	08*08	pcs	1	701050124
121	635700140	ROLLER CHAIN RS25H	RS25H(34.5PCS)	pcs	1	
122	635800028	STEEL 1/4CHAIN GEAR	19T*F15	pcs	1	701080228
123	635800311	STEEL 1/4CHAIN GEAR	18T F26*F35(A/CUTTER IDLE SPROCKET)	pcs	1	
124	635900087	ROTARY ENCODER	E40H8-1000-3-2-5(1000 P.P.R)	pcs	1	
125	635900104	ANTISTATIC BRUSH(Q-CUTTER)	AL1.0T 10*30*445(SUS FIBER)	pcs	3	
126	636600079	cord plug INLET 250V TUV	3P 0.75/7A SVT(SET)	pcs	1	704031112
127	636900056	GLASS TUBE FUSE 20mm	5*20 3.0A 250V	pcs	1	704130116
128	636900057	GLASS TUBE FUSE 20mm	5*20 3.15A 250V	pcs	1	704130117
129	636900061	GLASS TUBE FUSE 20mm	5*20 6.3A 250V	pcs	2	704130122
130	636900063	GLASS TUBE FUSE 20mm	5*20 8A 250V	pcs	1	704130124
131	637000002	FUSE HOLDER	f12.5*20mm250V10A	pcs	4	704120101
132	637300003	INLET SOCKET(FUSE HOLDER)	250V10A(0717)	pcs	1	704110103
133	637400025	MICRO SWITCH (EAGLE)	250V/15A(VP-531A-3H)2	pcs	2	704090411
134	637400042	POWER S/W ROCKER	DPDT 250V16A(310B5NR)	pcs	1	704090102
135	637400147	PUSH SWITCH	W16-R31(WHITE)	pcs	4	
136	638000473	WIRE ASS'Y GRAPHIC MASTER 1600	UL1015#20(RED/BLK)L400 M5557-02P	pcs	2	704165467
137	638000477	WIRE ASS'Y GRAPHIC MASTER 1600	UL1007#20(BLU/BLU)L450 M5557-02	pcs	1	704165471
138	638000691	WIRE ASS'Y JAGUAR-700	UL1007#18(YEL/YEL)L1030 M5557-02P,R1	pcs	1	704165620
139	638000707	WIRE ASS'Y JAGUAR-700	UL1015#16(RED/BLK)L750/700 M3191,R25	pcs	1	704165637
140	638000885	WIRE ASS'Y MERCURY	UL2547#22(2C+SH)L550 M5264-03P	pcs	3	704165908

141	638000896	WIRE ASS'Y MERCURY	UL2457#22(2C+SH)L400 M5264-03P	pcs	2	704165919
142	638000902	WIRE ASS'Y MERCURY	UL1007#18(RED/RED)L560 M5557/R187	pcs	1	704165925
143	638001680	WIRE ASS'Y TALON 44.64.80(JUMPER)	UL1007#18(RED)L100 M5557-02P	pcs	1	704166234
144	638002189	WIRE ASS'Y A/CUTTER-800	UL1007#18 L250 WHT/BLK M5557-02	pcs	1	
145	638002190	WIRE ASS'Y A/CUTTER-800	UL1015#20 L600 BLU/BLU M5552-02,R187	pcs	1	
146	638002191	WIRE ASS'Y A/CUTTER-800	UL1015#20 L1350 RED/RED M5557-02,R187	pcs	1	
147	638002192	WIRE ASS'Y A/CUTTER-800	UL1007#20 L1650 WHT/WHT M5557-02,R187	pcs	1	
148	638002193	WIRE ASS'Y A/CUTTER-800	UL2464#26 L1000 4COLOR+SHIELD M5264	pcs	1	
149	638002194	WIRE ASS'Y A/CUTTER-800	UL2547#26 L1000 2COLOR+SHIELD M5264	pcs	1	
150	638002195	WIRE ASS'Y A/CUTTER-800	UL2547#26 L650 2COLOR+SHIELD M5264	pcs	1	
151	638002196	WIRE ASS'Y A/CUTTER-800	UL2547#24 L1700 1COLOR+SHIELD M5264	pcs	1	
152	638002197	WIRE ASS'Y A/CUTTER-800	UL1015#18 L650 RED/BLK M3191,M3191R	pcs	1	
153	638002198	WIRE ASS'Y A/CUTTER-800	UL1007#18 L1000 WHT/WHT M5557/M5552	pcs	1	
154	638002199	WIRE ASS'Y A/CUTTER-800	UL1007#18 L200 YEL/YEL M5557-02,R250	pcs	1	
155	638002200	WIRE ASS'Y A/CUTTER-800	16WIRE FLAT CABLE L900 HIF3BA-16DA-	pcs	1	
156	638002201	WIRE ASS'Y A/CUTTER-800	16WIRE FLAT CABLE L1100 HIF3BA-16-2.	pcs	1	
157	638002202	WIRE ASS'Y A/CUTTER-800	UL1007#18 L250 BRN R250	pcs	1	
158	638002203	WIRE ASS'Y A/CUTTER-800	UL1007#18 L250 BLU R250	pcs	1	
159	638002204	WIRE ASS'Y A/CUTTER-800	UL1015#22 L1000 2C M5264-03P,M5267-0	pcs	1	
160	638002205	WIRE ASS'Y A/CUTTER-800	UL1007#20 L700 WHT R187	pcs	1	
161	638002206	WIRE ASS'Y A/CUTTER-800	UL1007#22 L80 2C WHT M5264-03P,R110	pcs	4	
162	638002209	WIRE ASS'Y A/CUTTER-800	UL2547#22 L900 3C M5264-03P	pcs	2	
163	638003310	WIRE ASS'Y A/CUTTER-800	UL1007#18 L250 YEL/GRE 5.2R/5.2R	pcs	1	
164	638003311	WIRE ASS'Y A/CUTTER-800	UL1007#18 L1200 YEL/GRE 5.2R/5.2R	pcs	1	
165	638400003	BRIDGE DIODE	PBT2506	pcs	1	705030503
166	638400120	LCD MODULE ASS'Y (AUTO CUTTER 800)	UMS-3066JD-G	set	1	
167	638900013	PCB ASS'Y JAGUAR700 POWER SUPPLY2	JA70B801	set	1	706011706
168	638900261	PCB ASS'Y A/CUTTER SHORTAGE BAR	4PK-AC80PI1	set	1	
169	638900262	PCB ASS'Y A/CUTTER EDGE-TRANSISTOR	4PK-EDGE_T	set	1	
170	638900263	PCB ASS'Y A/CUTTER EDGE-DIODE	4PK-EDGE_D	set	1	
171	638900265	PCB ASS'Y A/CUTTER INTERRUPTER	4PK-AC80P2	set	2	
172	638900294	PCB ASS'Y JAGUAR CUTTER MOTOR DRIVE	TYPE NO:JA700HB REV4.0(040115)	set	2	
173	638900295	PCB ASS'Y A/CUTTER MAIN	AC800M REV3.0(20040203)	set	1	
174	638900296	PCB ASS'Y A/CUTTER DISPLAY	AC800D REV3.0(20040203)	set	1	
175	810100002	NUT	M4	pcs	10	701110102
176	810100025	STOPPER NUT	M6	pcs	2	701110143

177	810100037	PLATE WASHER	f6.0	pcs	12	701110204
178	810100059	SPRING WASHER	f5*t1.2	pcs	20	701110303
179	810100060	SPRING WASHER	f6.0	pcs	5	701110304
180	810100068	SPRING WASHER	f8	pcs	8	701110312
181	810300011	BRASS SCREW M-RH	M4.0*8RH	pcs	1	701108022
182	810300022	CAP/B HEXAGON SOCKET	M5.0*10CHS PLATE/SPRING	pcs	6	701109145
183	810300030	CAP/B HEXAGON SOCKET HEAD M10	M10*20CHS	pcs	2	701107621
184	810300059	CAP/B HEXAGON SOCKET HEAD M4	M4.0*20CHS	pcs	10	701107209
185	810300066	CAP/B HEXAGON SOCKET HEAD M5	M5.0*10CHS	pcs	4	701107304
186	810300069	CAP/B HEXAGON SOCKET HEAD M5	M5.0*15CHS	pcs	20	701107307
187	810300070	CAP/B HEXAGON SOCKET HEAD M5	M5.0*20CHS	pcs	22	701107308
188	810300087	CAP/B HEXAGON SOCKET HEAD M6	M6.0*20CHS	pcs	12	701107408
189	810300469	M/S ROUND HEXAGON SOCKET HEAD M5	M5*10CHS	pcs	6	701108308
190	810300483	M/S SAMS M4.0RH	M4.0*6RH SPRING WHT	pcs	20	701109102
191	810300556	M/S TRUSS HEAD M4.0TH	M4.0*12TH WHT	pcs	4	701101510
192	810300698	SET SCREW HEXAGON SOCKET M5	M5.0*8SET	pcs	15	701106303
193	810301076	T/S ROUND HEAD 2CLASS T4.0RH	T4.0*8RH2C BLK	pcs	14	701104103
194	810301266	T/S TRUSS HEAD 2CLASS T3.0TH	T3.0*6TH2C BLK	pcs	20	701104803
195	810301289	T/S TRUSS HEAD 2CLASS T4.0TH	T4.0*6TH2C WHT	pcs	20	701104902
196	810301290	T/S TRUSS HEAD 2CLASS T4.0TH	T4.0*8TH2C BLK	pcs	7	701104903
197	810301388	M/S SHOULDER HEAD M4.0FH	M4.0*40FH WHT(28MM)	pcs	4	701108123
198	810400029	SPRING E RING	F10.0	pcs	4	701090614
199	810400068	SPRING S RING		15 pcs	4	701090709
200	810400070	SPRING S RING		18 pcs	2	701090711
201	810400088	SPRING S RING	F32	pcs	4	701090729
202	810400101	ROLLER SPRING	1.0T*24mm	pcs	3	701090101
203	810400104	ROLLER SPRING	1.2T*24mm	pcs	4	701090104
204	810400119	ROLLER SPRING	1.8T*25mm	pcs	2	701090122
205	810400158	spring	0.7T*40mm	pcs	1	701090166
206	810400161	LEVER SPRING(EXCELAM II)	0.6T*F4*7.7	pcs	2	701090169
207	810400223	PRESSED COIL SPRING(U/L/TRIM)	SPS6 F25*F13*1.5T*7(UL15H031)	pcs	1	
208	810900203	CUTTER CONTROL PANEL STICKER(GBC)	PC0.3T 191*83	pcs	1	
209	810900204	PROFEESIONAL 5031TS STICKER	EASI CUT	pcs	2	