

COVER AND BASE

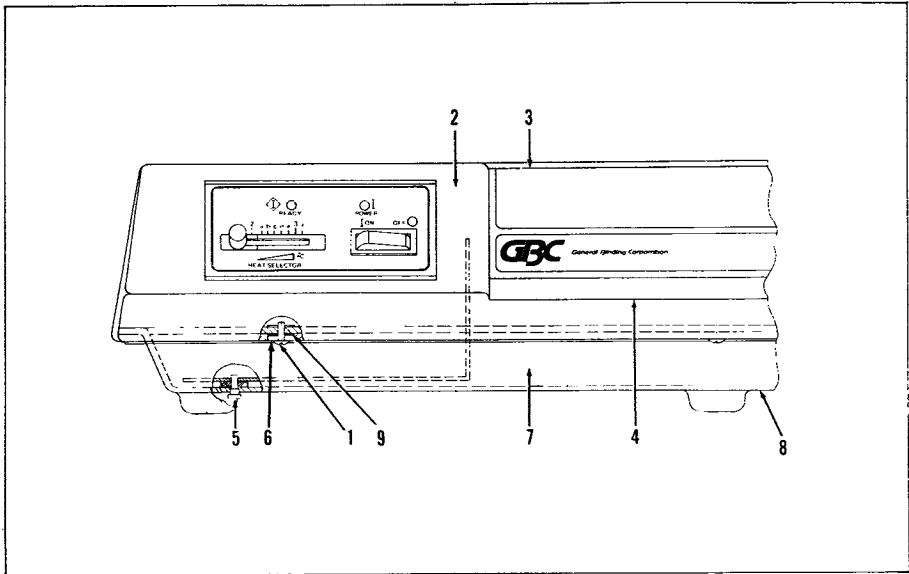


FIGURE 8.1

INDEX NO.	PART NO.	PART NAME	QUANTITY 501/502/504		
1	1903030	SCREW, #6-32 X 1/2" LONG.	8	8	8
2	1136402	COVER, TOP, PLASTIC	1	1	1
3	1136378	LOGO, COVER	1		
3	1136380	LOGO, COVER		1	1
4	1136381	LOGO, COVER (ARROW)	1	1	1
5	1908501	SCREW, #6-32 X 3/8" LONG.	4	4	4
6	1925008	WASHER, FLAT.	8	8	8
7	1136384	BASE, PLASTIC	1	1	1
8	1100892	LABEL, CAUTION.	1	1	1
9	1136315	SPEED NUT	8	8	8

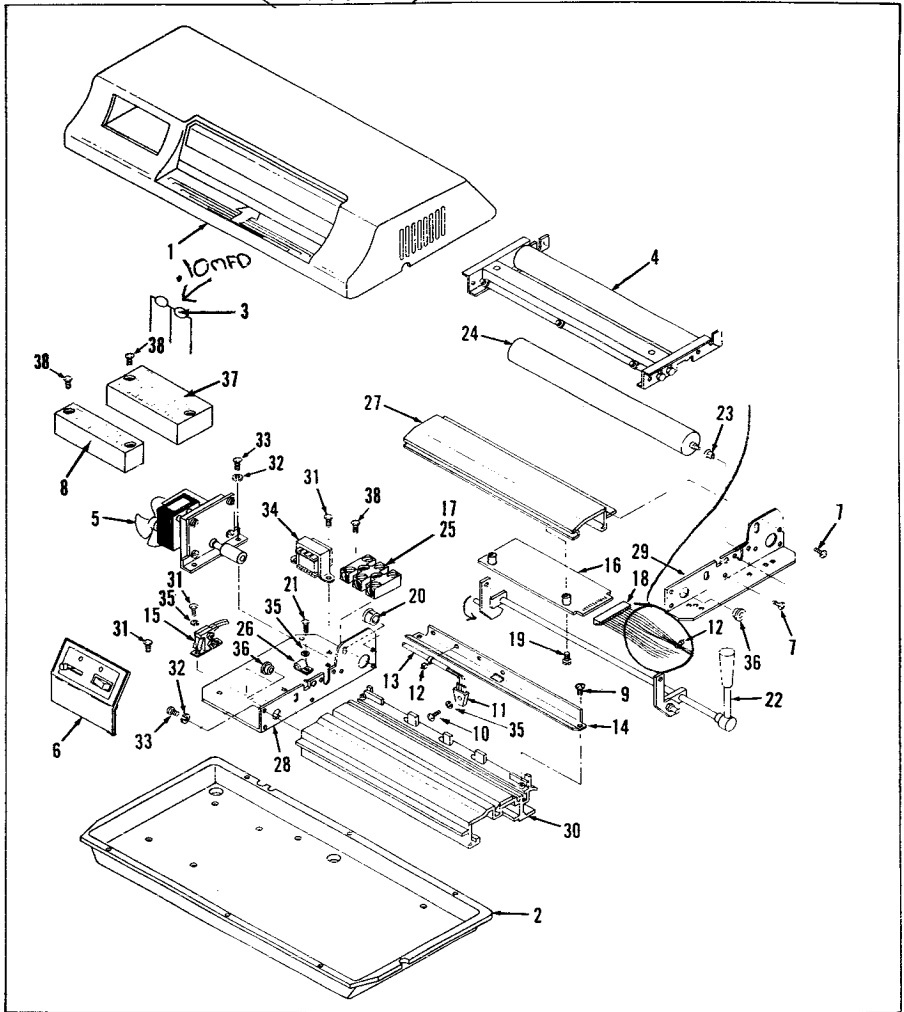


FIGURE 8.2

FIGURE 8.4

INDEX NO.	PART NO.	PART NAME	QUANTITY		
			501	502	504
1	1136370	SCREW, #6-32 UNC-2A.	4	4	4
2	1136151	SPRING, HEATER	3	3	3
3	1908501	SCREW, #6-32 X 3/8" LONG	4	4	4
4	1902815	SCREW, #6-32 X 1/2" LONG	2	2	2
5	1136082	SUPPORT, SPRING.	1	1	1
6	1136047	ROD, BLANKET	2	2	2
7	1926704	NUT, #4-40	3	3	3
8	1902834	SCREW, #4-40 X 5/8" LONG	3	3	3
9	1136085	BLANKET, HEATER (TOP).	1	1	1
10	1134803	UPPER HEATER ASSEMBLY.	1		1
10	1134804	UPPER HEATER ASSEMBLY.		1	
11	1134802	PLATE FRONT. <i>5/8" x 4/8" x 1/8"</i>	1	1	1
12	1134805	HEATER ARM ASSY., RIGHT HAND	1	1	1
13	1134806	HEATER ARM ASSY., LEFT HAND.	1	1	1
14	1925029	WASHER, 9/32" I.D. X 1/2" O.D.	3	3	3
15	1134801	SUPPORT, HEATER.	1	1	1
16	1136025	ROLL, PULL	1	1	1
17	1136065	BEARING, BRONZE, LONG. <i>1.3769</i>	2	2	2

UPPER HEATER AND ARMS ASSEMBLY

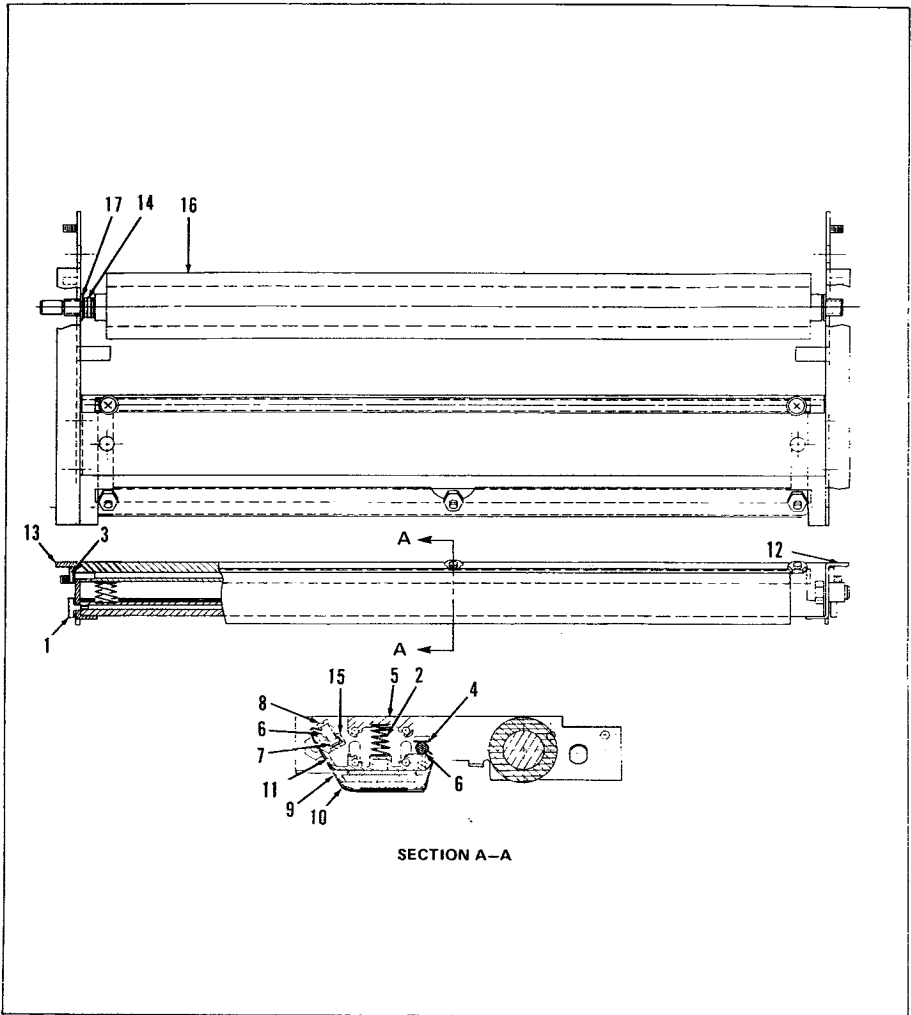


FIGURE 8.4

FIGURE 8.2

INDEX NO.	PART NO.	PART NAME	QUANTITY 501/502/504		
1	-----	TOP COVER ASSY. (SEE FIGURE 8.1 FOR BREAKDOWN)	1	1	1
2	1136384	BASE	1	1	1
3	1136434	CAPACITOR ASSY.	1		1
3	1136449	CAPACITOR ASSY.		1	
4	-----	UPPER HEATER \$ ARM ASSY. (SEE FIGURE 8.4 FOR BREAKDOWN)	1	1	1
5	-----	MOTOR BRACKET ASSY. (SEE FIGURE 8.8 FOR BREAKDOWN)	1	1	1
6	-----	CONTROL PANEL ASSY. (SEE FIGURE 8.5 FOR BREAKDOWN)	1	1	1
7	1908501	SCREW, #6-32 X 3/8" LONG	14	14	14
8	1136476	CONNECTOR.		1	
9	1911113	SCREW, #6-32 X 3/16" LONG.	2	2	2
10	1902821	SCREW, #4-40 X 1/2" LONG	1	1	1
11	1136155	OPTICAL SWITCH (OS1) SENSOR, POUCH.	1	1	1
12	1932121	TY-RAP	8	8	8
13	1136435	WIRE AND TUBING ASSY. X 8" LONG.	1	1	1
14	1136474	BRACKET, SENSOR.	1	1	1
15	-----	HANDLE SWITCH ASSY. (SEE FIGURE 8.7 FOR BREAKDOWN)	1	1	1
16	1136340	CONTROL BOARD ASSEMBLY	1		1
16	1136341	CONTROL BOARD ASSEMBLY		1	
17	1136479	INSULATOR.		1	
18	1136071	CONNECTOR, CONTROL BOARD (J2)	1	1	1
19	1908505	SCREW, #6-32 X 5/8" LONG	2	2	2
20	1136238	BUSHING, SNAP, 1/2" I.D.	1	1	1
21	1908507	SCREW, #6-32 X 5/16" LONG.	3	3	3
22	-----	HANDLE AND LINKAGE ARM ASSEMBLIES (SEE FIGURE 8.9 FOR BREAKDOWN)	1	1	1
23	1136065	BEARING, BRONZE, LONG. <i>1131761</i>	3	3	3
24	1136489	ROLL AND PIN ASSY. <i>1136923</i>	1	1	1
25	1128734	TERMINAL BLOCK		1	
26	1931005	CLAMP, CABLE	2	2	2
27	1136395	SUPPORT, REAR.	1	1	1
28	1136390	SHELF, LEFT.	1	1	1
29	1136389	SHELF, RIGHT	1	1	1
30	-----	FRONT SUPPORT AND GATE ASSEMBLY (SEE FIGURE 8.10 FOR BREAKDOWN)	1	1	1
31	1908503	SCREW, #6-32 X 3/16" LONG.	7	9	7
32	1926001	LOCKWASHER, #10.	8	8	8
33	1908504	SCREW, #10-32 X 1/4" LONG.	16	16	16
34	1136193	STEP DOWN TRANSFORMER (T1)		1	
35	1925007	WASHER, #6	5	5	5
36	1136338	BUSHING, SNAP, 1/4" I.D.	2	2	2
37	1136426	CONNECTOR.	1		1
37	1136475	CONNECTOR.		1	
38	1907817	SCREW, #6-32 X 5/8" LONG	2	6	2

SPRING BRACKET ASSEMBLY

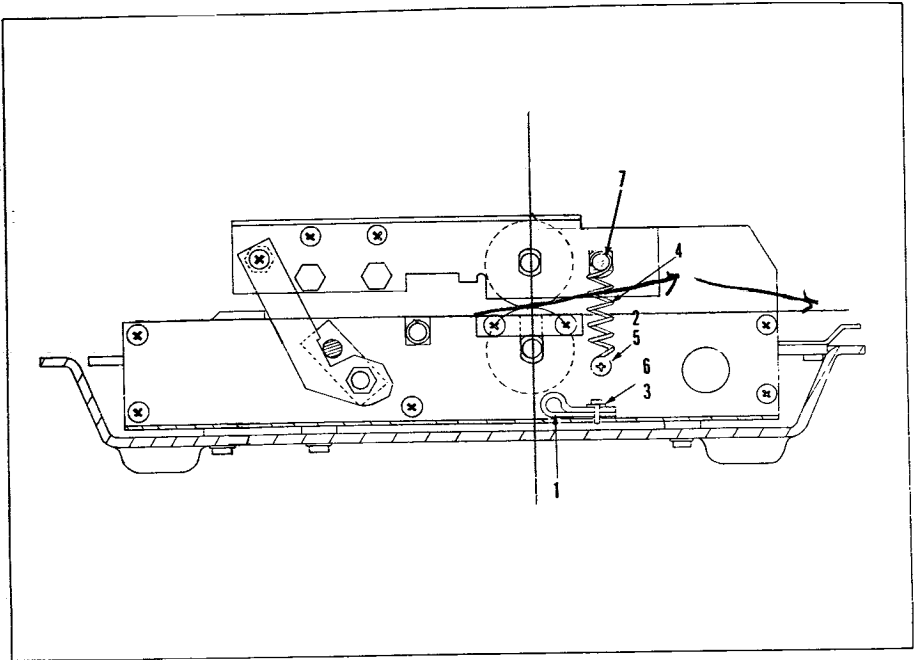


FIGURE 8.3

INDEX NO.	PART NO.	PART NAME	QUANTITY		
				501/502/504	
1	1931007	CABLE CLAMP.	2	2	2
2	1108722	SPACER	2	2	2
3	1925007	WASHER, #6	3	3	3
4	1136351	SPRING, LOADING.	2	2	2
5	1903009	SCREW, #6-32 X 1-1/4" LONG	2	2	2
6	1908507	SCREW, #6-32 X 5/16" LONG.	2	2	2
7	1136400	SHAFT, SPRING.	1	1	1

CONTROL PANEL ASSE

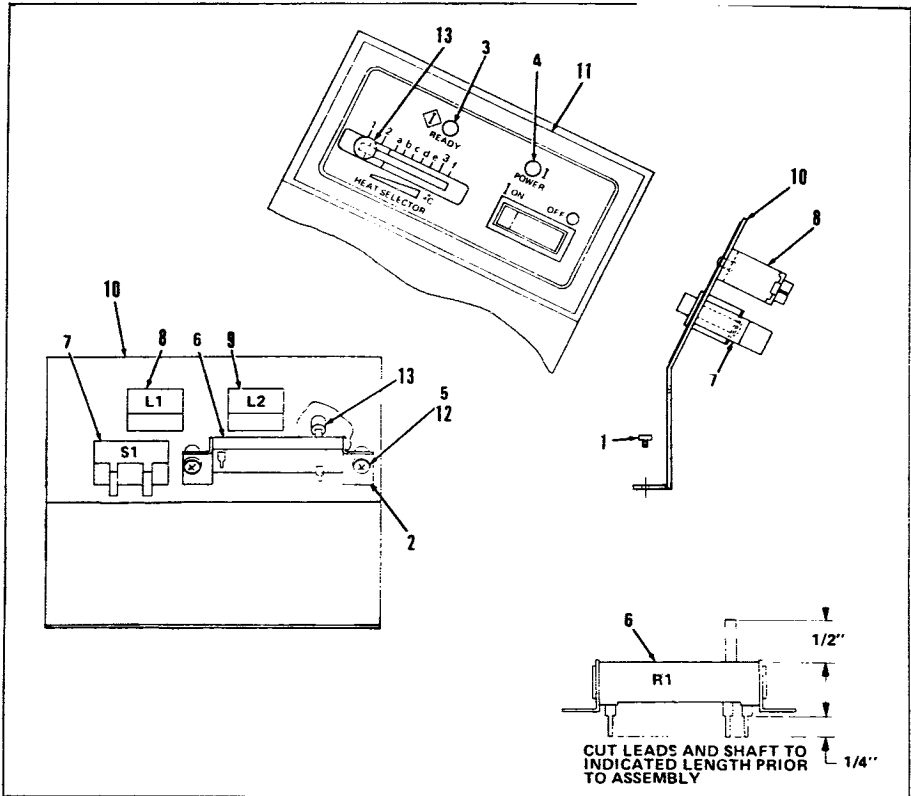


FIGURE 8.5

INDEX NO.	PART NO.	PART NAME	QUANTITY		
			501	502	504
1	1908503	SCREW, #6-32 X 3/16" LONG.	2	2	2
2	1136273	ADAPTOR BRACKET.	1	1	1
3	1136284	LENS, MINI-CONVEX AMBER (READY, L2).	1	1	1
4	1136371	LENS, MINI-CONVEX GREEN (POWER, L1).	1	1	1
5	1902821	SCREW, #4-40 X 1/2" LONG.	2	2	2
6	1136275	RESISTOR, VARIABLE, 5K-OHM (R1)	1	1	1
7	1136059	POWER ON-OFF SWITCH, S.P.S.T. (S1)	1	1	1
8	1136373	PILOT LIGHT ASSY.	1	1	1
9	1136427	PILOT LIGHT ASSY.	1	1	1
10	1136417	BRACKET ASSEMBLY	1	1	1
11	1136379	LOGO, CONTROL PANEL.	1	1	1
12	1925909	LOCKWASHER, #4	2	2	2
13	1136195	KNOB, RESISTOR	1	1	1

CORD ASSEMBLY

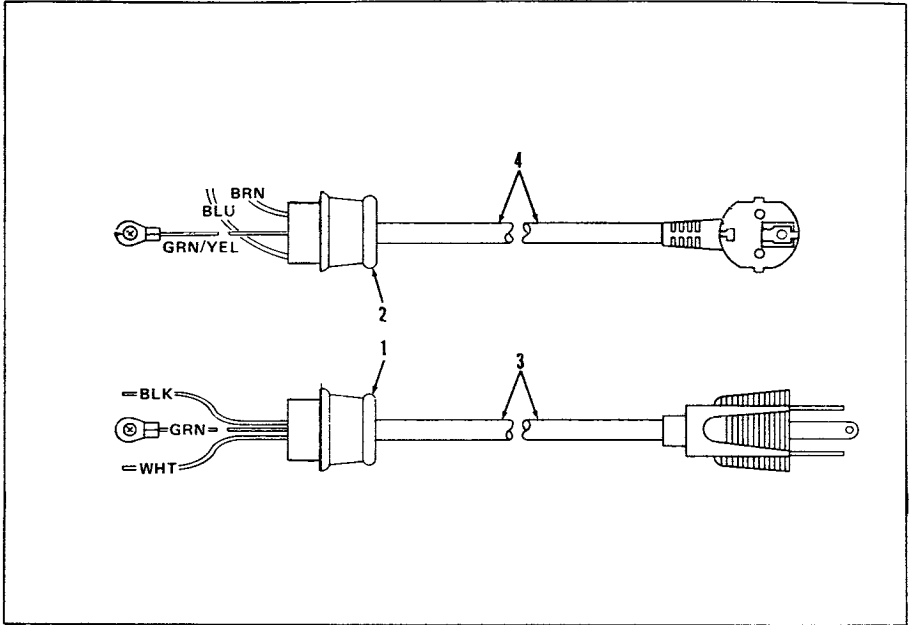


FIGURE 8.6

INDEX NO.	PART NO.	PART NAME	QUANTITY	
			501/502/504	
1	1952417	STRAIN RELIEF.	1	1
2	1952414	STRAIN RELIEF.	1	1
3	1136425	POWER CORD ASSEMBLY.	1	1
4	1119138	POWER CORD ASSEMBLY.	1	1

HANDLE SWITCH ASSEMBLY

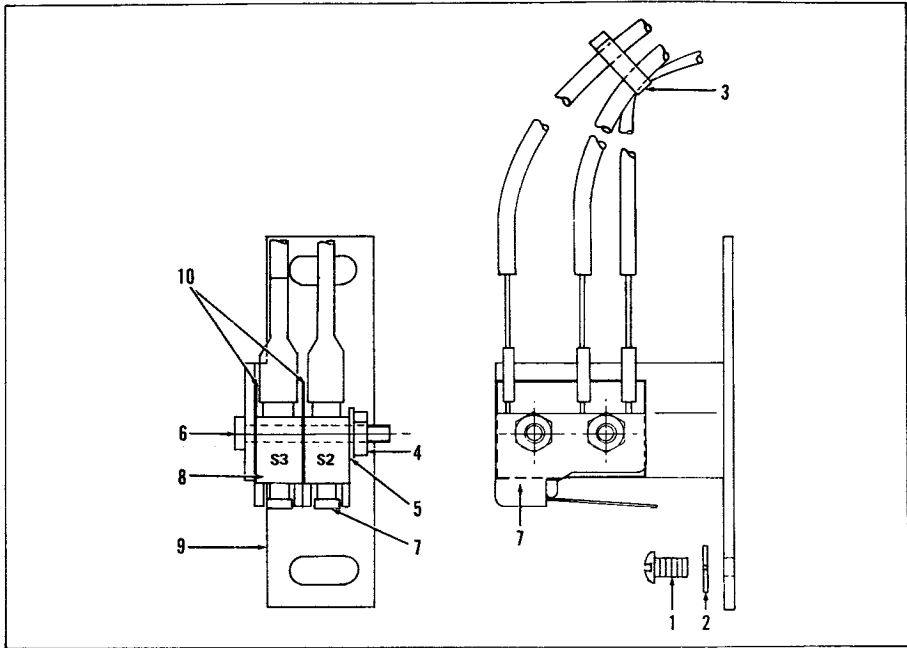


FIGURE 8.7

INDEX NO.	PART NO.	PART NAME	QUANTITY		
			501/502/504		
1	1908503	SCREW, #6-32 X 3/16" LONG.	2	2	2
2	1925007	LOCKWASHER, #6	2	2	2
3	1932121	TY-RAP	1	1	1
4	1926714	NUT, #2-56	2	2	2
5	1925908	LOCKWASHER, #2	2	2	2
6	1902841	SCREW, #2-56 X 3/4" LONG	2	2	2
7	1136298	SWITCH, HANDLE, S.P.D.T. (S2)	1	1	1
8	1136298	SWITCH, HANDLE, S.P.D.T. (S3)	1	1	1
9	1136411	BRACKET, SWITCH, SERVICE	1	1	1
10	1136274	INSULATOR, SWITCH.	2	2	2

DRIVE MOTOR BRACKET ASSEMBLY

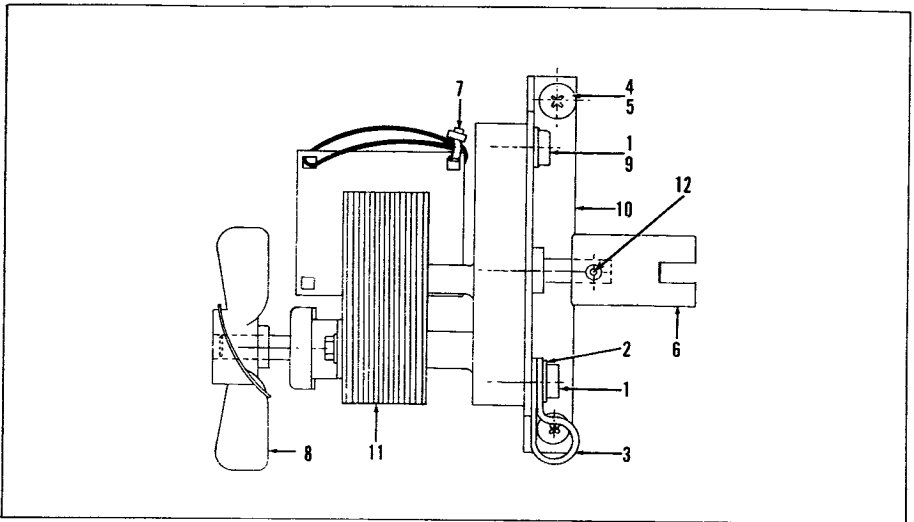


FIGURE 8.8

INDEX NO.	PART NO.	PART NAME	QUANTITY 501/502/504		
1	1908500	SCREW, #10-32 X 3/8" LONG.	4	4	4
2	1925002	WASHER, #10.	1	1	1
3	1931007	CLAMP, CABLE	1	1	1
4	1908504	SCREW, #10-32 X 1/4" LONG.	2	2	2
5	1926001	LOCKWASHER, #10.	2	2	2
6	1136413	DRIVE COUPLING	1	1	1
7	1932121	TY-RAP	1	1	1
8	1136293	FAN, PLASTIC (P/O ITEM 11)	1	1	1
9	1925901	LOCKWASHER, #10.	3	3	3
10	1136401	BRACKET, MOTOR	1	1	1
11	1136055	DRIVE MOTOR ASSEMBLY <i>1154208</i>	1	1	1
11	1136114	DRIVE MOTOR ASSEMBLY <i>1154209</i>	1	1	1
12	1929204	ROLL PIN, 3/32" X 5/8" LONG.	1	1	1

HANDLE AND LINKAGE ARM ASSEMBLIES

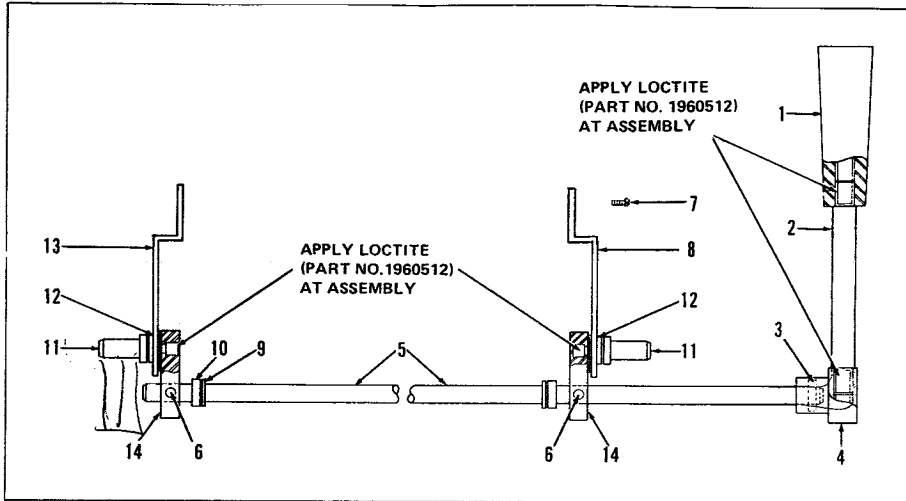


FIGURE 8.9

INDEX NO.	PART NO.	PART NAME	QUANTITY 501/502/504		
1	1136382	KNOB, HANDLE.	1	1	1
2	1136150	SHAFT, HANDLE, 1/4-20 THREAD.	1	1	1
3	1929212	ROLL PIN, 3/32" X 1/2" LONG.	1	1	1
3	1136048	RETAINER, HANDLE.	1	1	1
4	1136054	SHAFT, HANDLE.	1	1	1
6	1900066	SET SCREW, #6-32 X 1/4" LONG.	4	4	4
7	1136370	SHOULDER SCREW.	2	2	2
8	1136396	LINKAGE ARM, RIGHT.	1	1	1
9	1930510	RETAINING RING.	2	2	2
10	1136066	BEARING, BRONZE, SHORT.	2	2	2
11	1136037	SHOULDER SCREW, #10-32 X 1-1/16" LONG	2	2	2
12	1136066	BEARING, BRONZE, SHORT.	2	2	2
13	1136033	LINKAGE ARM, LEFT 1 1/2" X 3/8"	1	1	1
14	1136034	BLOCK, LINKAGE.	2	2	2

11542045
ONE
PIECE

