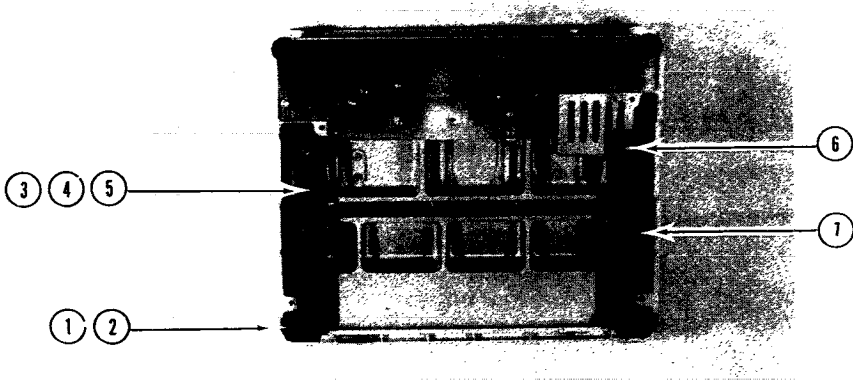


ITEM NUMBER	PART NUMBER	PART NAME	QUANTITY	
			115 VAC	230 VAC
1	1132266	PAPER GUIDE.	1	1
2	1132262	PAPER GUIDE RETAINER	1	1
3	1108751	KNOB	1	1
4	1132212	ACTUATOR BUTTON.	1	1
5	1132213	SPRING	1	1
6	1930544	CLIP	1	1
7	1132492	BACK GAUGE KNOB.	1	1
7	1907612	1/4 X 20 X 1 SCREW BACK GAUGE.	1	1
8	1132261	LENS, YELLOW	1	1
9	1132452	COVER.	1	1
10	1132450	BINDER SIZE LENS	1	1
11	1132206	SELECTOR PIN COVER	1	1
12	1118909	LOGO PLATE	1	1
13	1132498	BEZEL.	1	1
14	1136648	PUNCH SCALE.	1	1
15	1132382	INSTRUCTION DECAL, DOMESTIC.	1	
15	1132463	INSTRUCTION DECAL, SPANISH		1
15	1132462	INSTRUCTION DECAL, GERMAN.		1
15	1132461	INSTRUCTION DECAL, FRENCH.		1
15	1132460	INSTRUCTION DECAL, ITALIAN		1
16	1132380	CHIP TRAY.	1	1

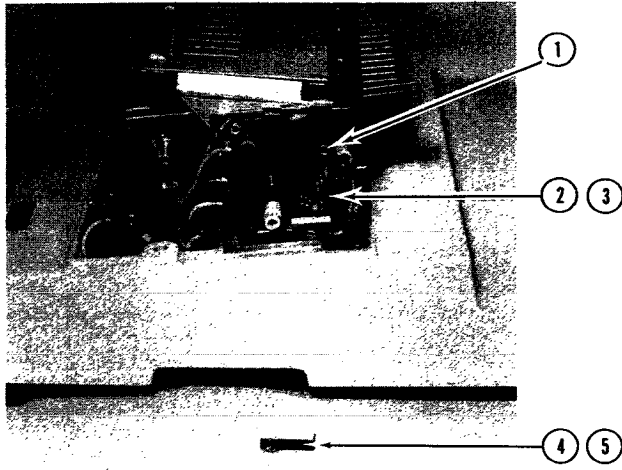
NOTE: COVER ASSEMBLY DOES NOT COME WITH BINDER SIZE LENS.

Figure 8.1



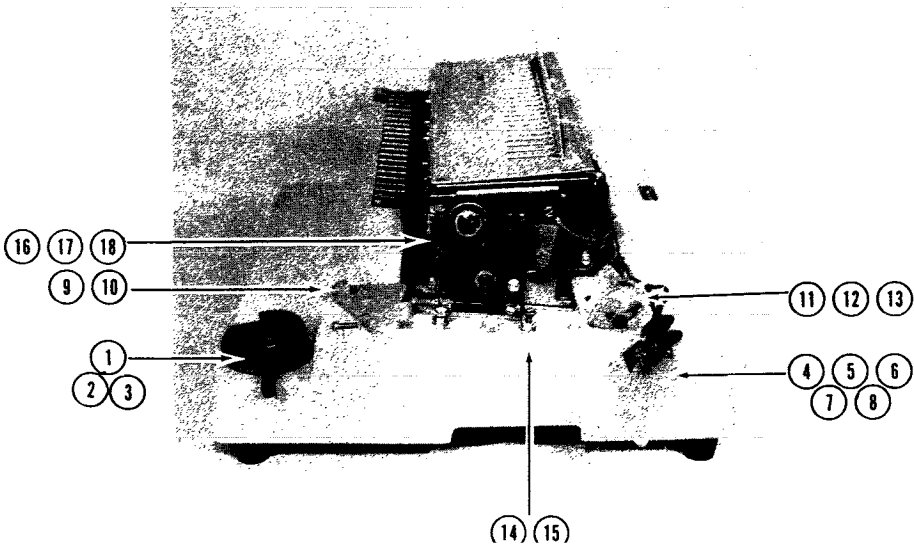
ITEM NUMBER	PART NUMBER	PART NAME	QUANTITY	
			115 VAC	230 VAC
1	1120107	RUBBER FOOT.	4	4
2	1900563	SCREW, 10-32 X 3/4	4	4
3	1108760	LOWER RAIL	2	2
4	1108761	UPPER RAIL	2	2
5	1108835	SPACER	4	4
6	1907404	SCREW, 10-32 X 3/4	4	4
7	1911114	SCREW, (COVER) 8-32 X 1-1/4.	4	4

Figure 8.2



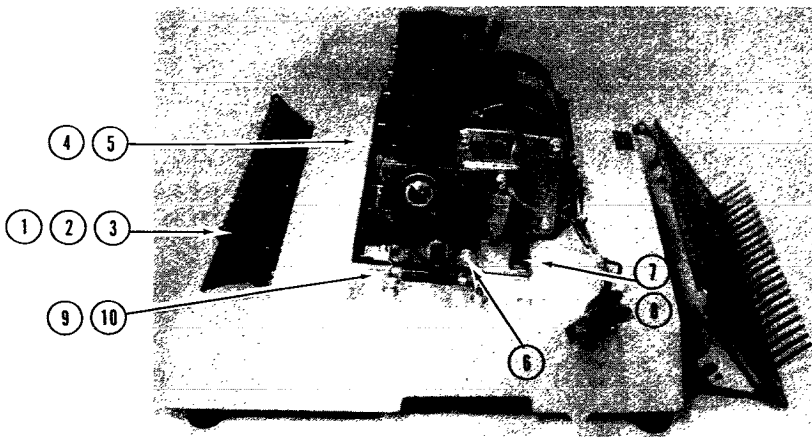
ITEM NUMBER	PART NUMBER	PART NAME	QUANTITY	
			115 VAC	230 VAC
1	1907303	SCREW.	2	2
2	1132203	PC CARD.	1	
2	1132345	PC CARD.		1
3	1132272	INSULATOR.	1	1
4	1132634	SENSOR FLAG.	1	1
5	19073211	SCREW.	1	1

Figure 8.3



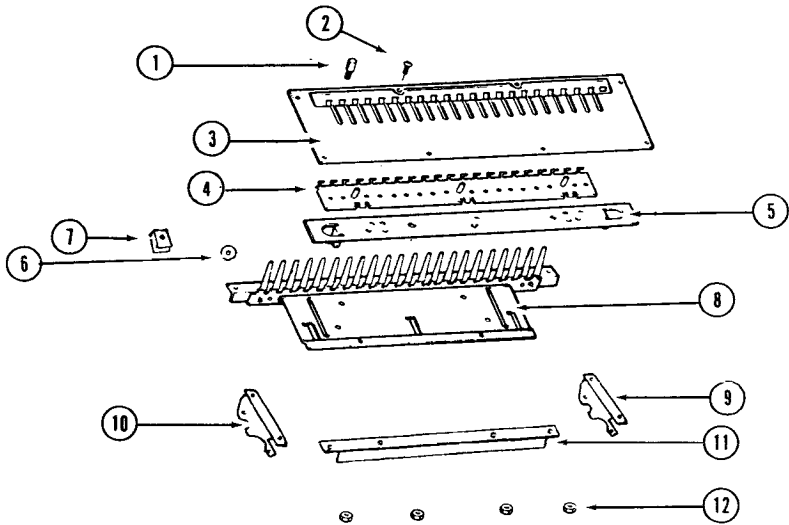
ITEM NUMBER	PART NUMBER	PART NAME	QUANTITY	
			115 VAC	230 VAC
1	1132465	SELECTOR (BINDING)	1	1
2	1931701	COLLAR	1	1
3	1926502	SPRING	1	1
4	1132360	CAM SWITCH MOUNT	1	1
5	1131827	MICRO SWITCH	1	1
6	1128310	NUT PLATE (SWITCH)	1	1
7	1902840	SCREW	2	2
8	1931607	GRIP RING	1	1
9	1132359	CAM	1	1
10	1900002	SET SCREW (CAM)	2	2
11	1132466	INDICATOR WHEEL	1	1
12	1925002	WASHER	1	1
13	1132400	PIVOT PIN	1	1
14	1907404	SCREW (MOUNT STOP)	2	2
15	1926803	HEX NUT (MOUNT STOP)	2	2
16	1132362	BRACKET ASSY.	1	1
17	1907407	SCREW, 10-32 X 1/4	1	1
18	1925214	WASHER	1	1

Figure 8.4



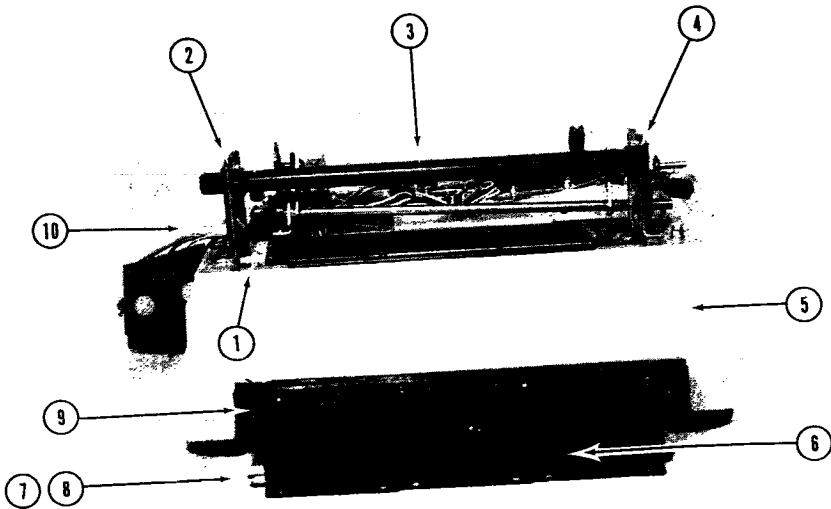
ITEM NUMBER	PART NUMBER	PART NAME	QUANTITY	
			115 VAC	230 VAC
1	1132468	SELECTOR PIN.	21	21
2	1101977	PRESSURE BAR COVER ASSY	1	1
3	1902915	SCREW	3	3
4	1900602	SCREW, DIE, 10-32 X 1/2 FRONT	6	6
5	1907404	SCREW, DIE, 10-32 X 3/4 REAR. (NOT SHOWN)	5	5
6	1907404	SCREW, 10-32 X 3/4.	1	1
7	1900510	SCREW, 1/4 X 20 X 3/4	2	2
8	1926002	LOCKWASHER, 1/4	2	2
9	1951904	SCREW, 1/4 X 20 X 5/8	4	4
10	1926002	LOCKWASHER.	4	4

Figure 8.5



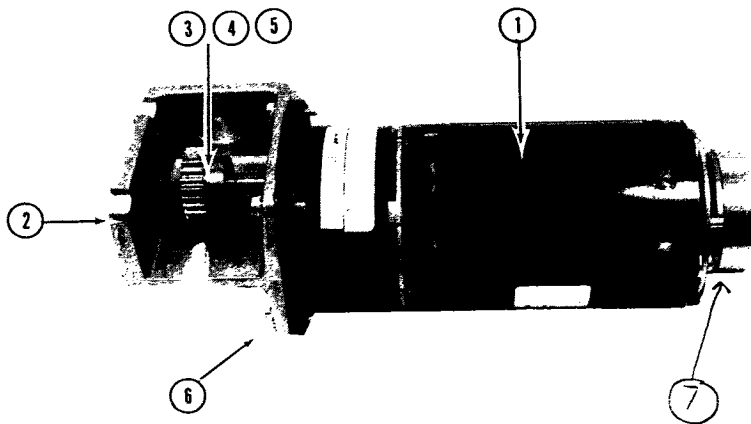
ITEM NUMBER	PART NUMBER	PART NAME	QUANTITY	
			115 VAC	230 VAC
1	1131108	POST.	2	2
2	1902915	SCREW, 6-32	2	2
3	1132392	TOP PLATE ASSY.	1	1
4	1101997	HOOK SLIDE.	1	1
5	1132389	SLIDE BAR ASSY.	1	1
6	1925002	WASHER.	2	2
7	1931312	CLIP.	2	2
8	1132393	BINDER FRAME SUB ASSY	1	1
9	1132364	SUPPORT, RIGHT.	1	1
10	1132365	SUPPORT, LEFT	1	1
11	1132499	BRACKET STIFFENER	1	1
12	1926803	NUT, 10-32.	4	4

Figure 8.6



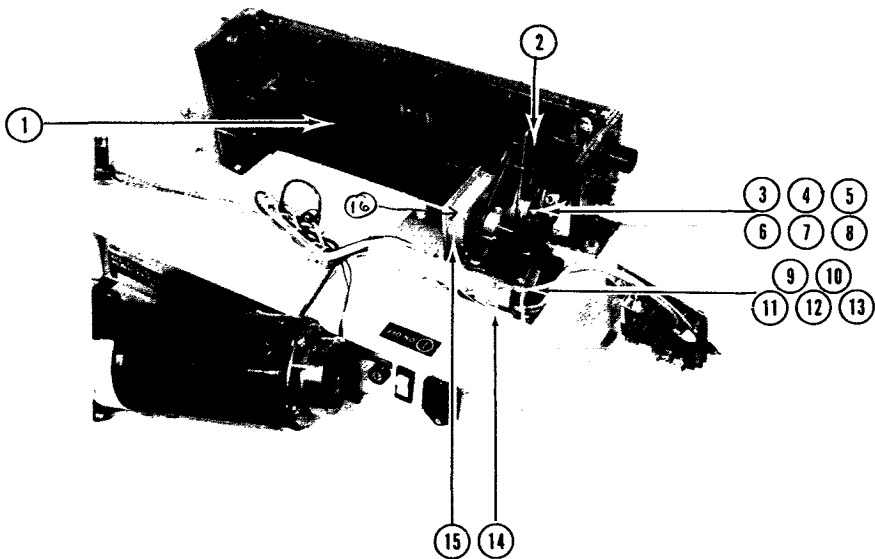
ITEM NUMBER	PART NUMBER	PART NAME	QUANTITY	
			115 VAC	230 VAC
1	1131105	RACK.	1	1
2	1132370	MOUNTING BRACKET ASSY, LEFT	1	1
3	1132629	DRIVE SHAFT ASSY.	1	1
4	1132366	MOUNTING BRACKET ASSY, RIGHT.	1	1
5	1132374	BASE.	3	3
6	1131132	DIE ASSY.	1	1
7	1107068	BACK GAUGE. <i>1/5 20 12</i>	1	1
8	1101994	BACK GAUGE SPRING	1	1
9	1119753	PRESSURE BAR ASSY	1	1
10	1132251	SHAFT AND PINION.	1	1

Figure 8.7



ITEM NUMBER	PART NUMBER	PART NAME	QUANTITY	
			115 VAC	230 VAC
1154817	1	1132638 MOTOR W/DRAKE	1	
1154813	1	1132639 MOTOR W/DRAKE		1
	2	1132228 MOTOR MOUNT	1	1
	3	1132264 GEAR (25 TOOTH)	1	1
	4	1900004 SET SCREW	1	1
	5	1852815 SQUARE KEY	1	1
	6	1907404 SCREW, 10-32 X 3/4	4	4
	7	1132306 Brake 115VAC		
	7	1152999 Brake 230VAC		

Figure 8.8

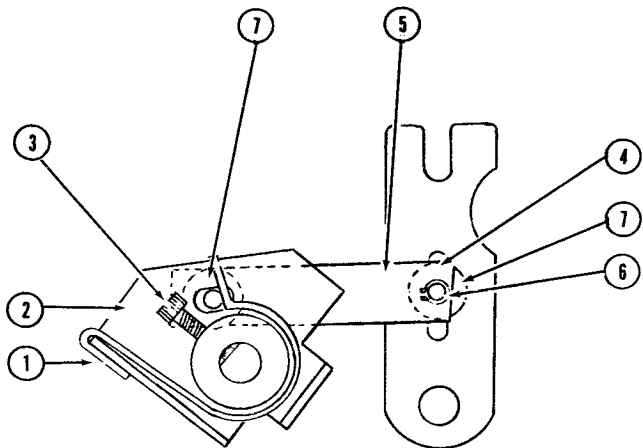


ITEM NUMBER	PAGE NUMBER	PART NAME	QUANTITY	
			115 VAC	230 VAC
1	1132441	BINDING SHAFT ASSY.	1	1
2	1132236	YOKE (BINDING) LEFT, RIGHT.	2	2
3	1132238	WASHER (BRASS) LEFT 3, RIGHT 3,	6	6
4	1132602	WASHER (STEEL) LEFT 3, RIGHT 3,	6	6
5	1132241	PIVOT BRACKET, RIGHT.	1	1
6	1132232	PIVOT BRACKET, LEFT (NOT SHOWN)	1	1
7	1931607	GRIP RING, LEFT 1, RIGHT 1,	2	2
8	1953604	NYLON BUSHING, (BINDING SHAFT).	1	1
9	1132637	SWITCH.	1	1
10	1118972	SPACER (SWITCH)	1	1
11	1128310	NUT PLATE	1	1
12	1902840	SCREW, 4-40 X 3/4	2	2
13	1925007	WASHER.	2	2
14	1132355	SUPPORT BRACKET	1	1
15	1132357	BINDING MOTOR	1	
15	1132406	BINDING MOTOR		1

1132310-4
1132236-6

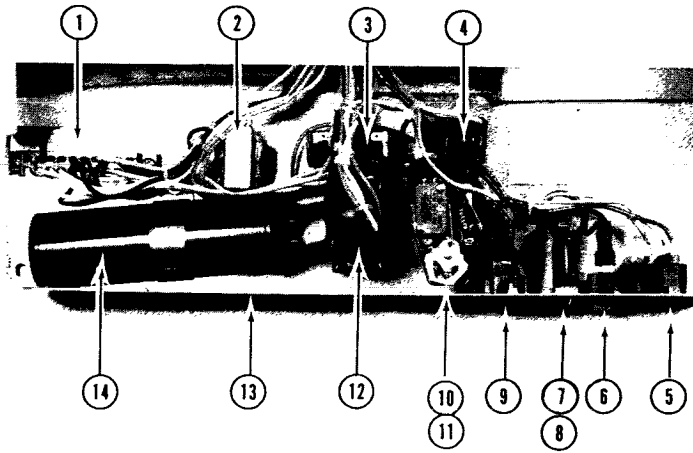
16 1907400 Screw for Binding motor

Figure 8.9



ITEM NUMBER	PART NUMBER	PART NAME	QUANTITY	
			115 VAC	230 VAC
1	1131889	SPRING	1	1
2	1132625	ARM ASSY.	1	1
3	1900541	SCREW, 8-32 X 1/2	1	1
4	1925005	WASHER, FLAT.	1	1
5	1132624	LINK ASSY	1	1
6	1131602	GRIP RING- <i>1931602</i>	1	1
7	1925214	WASHER, NON-METALIC	2	2

Figure 8.10



ITEM NUMBER	PART NUMBER	PART NAME	QUANTITY	
			115 VAC	230 VAC
1	1134669	TERMINAL BLOCK.	1	1
2	1132447	TRANSFORMER	1	
2	1132448	TRANSFORMER		1
3	1131868	CAPACITOR, 10 MF.	1	
3	1132613	CAPACITOR, 3 MF.		1
4	1105857	RECTIFIER	1	
4	1132618	RECTIFIER		1
5	1132288	FOOT SWITCH CONNECTOR	1	1
6	1132274	POWER SWITCH.	1	
6	1132650	POWER SWITCH.		1
7	1132343	FUSE HOLDER	1	1
8	1101789	FUSE, 4A (230 V).	1	
8	1107033	FUSE, 2A (230 V).		1
9	1132289	PRIMARY CONNECTOR	1	
9	1132276	PRIMARY CONNECTOR W/RFI FILTER.		1
10	1132290	BISTABLE RELAY.	1	
10	1132651	BISTABLE RELAY.		1
11	1954001	GROMMET	1	1
12	1132601	CAPACITOR, 7 MF	1	
12	1132612	CAPACITOR, 2 MF		1
13	1100892	CAUTION LABEL	1	1
14	1145826	CAPACITOR, 25 MF	1	
14	1132614	CAPACITOR, 7.5 MF		1
15*	1131863	FOOT SWITCH	1	
15*	1132647	FOOT SWITCH		1
16*	1132313	POWER CORD.	1	
16*	1132349	POWER CORD.		1

* NOT SHOWN

Figure 8.11