



44DT PARTS LIST



GBC IS AN ACCO BRANDS COMPANY

44D Parts List (Exploded views)

Product Code: LM10000

44" Desktop Laminator (115V60)

Old P/N	P/N	Items	Specification	Required Q'ty	REC SPARES
601250104	630600077	EXCELAM II H/R SUPPORT	FE 2.0T 82*161.6(HB-BK451-XO)	2	
601250114	630600087	EXCELAM II-105 OUTSIDE TENSION PLATE	FE 2.0T F44*8*M19(HB-BK451-XO)	2	
601250174	630600096	EXCELAM II ROLLER COVER SUPPORT(R)	SPC 2.5T*59.71*13(PL)	1	
601250175	630600097	EXCELAM II ROLLER COVER SUPPORT(L)	SPC 2.5T*59.71*13(PL)	1	
601250178	630600100	EXCELAM II TABLE LEVER	SPC 3T*140*70(PL)	1	
601250179	630600101	EXCELAM II TABLE LEVER BRACKET	SPC 2.0T*49*19(PL)	1	
601230525	630600144	EAGLE HOT ROLLER HOOK	FE 2.0T*66*150.5	2	
601230702	630600157	EAGLE INSIDE TENSION DISK	FE 2.0T*f44	2	
601230708	630600159	EAGLE TENSION BLOCK STOPPER	FE 3.0T*65*35	2	
601230802	630600163	EAGLE HEXAGON SHAFT HOLDER	SUS 0.5T*24*51	2	
601310508	630600400	MICRO S/W BRACKET	FE 1.5T 38.5*46	1	
	630600428	EX-P HEATER SUPPORT	SPC2.0T 50*71 (BK451)	2	
	630600430	EX-P SEPARATOR LEVER(L)	SPC5.0T 78*112*M12	1	
	630600431	EX-P SEPARATOR LEVER(R)	SPC5.0T 78*112*M12	1	
	630600433	EX-P TABLE POSITION PLATE	SUS0.5T 9.5*32/P051	1	
	630600434	EX-P BLADE RAIL BRACKET	SPC3.0T 63.8*60.7 (BK451)	2	
	630600435	EX-P UNWINDER SUPPORT(L)	SPC4.0T 73*147*F12 (BK451)	1	
	630600444	EX-P655 PCB COVER	SPC1.0T 60*60*240 (BK451)	1	
	630600464	EX-P1080 FLOW GUIDE	SPC 1.5T*33*1155(BK451)	1	2
	630600465	EX-P1080 FILM GUIDE	SPC 1.5T*100*1159(BK451)	1	
	630600469	EX-P1080 P/ROLLER HOOK	SPC 3.0T*54*46*15.5(Zn)	2	
	630600474	EX-P1080 ROLLER COVER	PC 3.0T*121.8*1152	1	
	630600510	EX-P REWINDER SUPPORT(L)	SPC 4.0T*203*868*F17(BK451)	1	
	630600511	EX-P REWINDER SUPPORT(R)	SPC 4.0T*203*868(BK451)	1	
	630600514	EX-P UNWINDER SUPPORT(R)	SPC 4.0T*73*147*F12(BK451)	1	
	630600516	EX-P REWINDER TENSION BLOCK STOPPER	SPC3.0T 27*62.5*53.5(BK451)	1	
	630600517	EX-P1080 FAN PLATE	SPC 1.5T*67*29.5*1159(BK451)	1	
	630600521	EX-P1080 TENSION PLATE(L)	SPC 3.0T*220*110.5(Zn)	1	
	630600522	EX-P1080 TENSION PLATE(R)	SPC 3.0T*220*110.5(Zn)	1	
Old P/N	P/N	Items	Specification	Required Q'ty	
	630600523	EX-P1080 P/R SUPPORT(L)	SPC 2.0T*144.4*57(BK451)	1	
	630600524	EX-P1080 P/R SUPPORT(R)	SPC 2.0T*144.4*57(BK451)	1	
	630600525	EX-P1080 SEPARATOR BAR	SPC 3.0T*35*1154(TEFLON)	1	2
	630600571	EX-P655 CLUTCH SHAFT SUPPORT	SPC5.0T	1	
	630600607	44DT BOTTOM PLATE	SPC3.0T 244.6*1266(BK451)/44P010	1	
	630600608	44DT BOTTOM SPACER	SPCR2.3T 50*100*285(BK451)/44P020	2	
	630600609	44DT PCB PLATE	SPC2.0T 57*101.5*362(BK451)/44P030	2	

	630600610	44DT EXTENSION PLATE(L)	SPC4.0T 162.8*90.7(BK451)/44P040	1	
	630600611	44DT EXTENSION PLATE(R)	SPC4.0T 162.8*90.7(BK451)/44P040	1	
	630600612	44DT J-CHANNEL COVER(L)	FE1.0T 51*90(BK451)/44P050	1	
	630600613	44DT J-CHANNEL COVER(R)	FE1.0T 51*90(BK451)/44P050	1	
	630600614	44DT ROLLER COVER BRACKET(FRONT)	SPC3.0T 14*35*F4(Cr)/44P060	2	
	630600615	44DT M/S BRACKET(L)	SPC2.0T 41*36*12.5(Cr)/44P070	1	
	630600616	44DT M/S BRACKET(R)	SPC2.0T 41*36*12.5(Cr)/44P070	1	
	630600617	44DT POWER PANEL	FE1.5T 63.5*100*10.5(BK451)/EX00P133	1	2
	630600618	44DT SIDE PLATE(L)	SPC3.0T 449.3*263.5(BK451)/44P080	1	
	630600619	44DT SIDE PLATE(R)	SPC3.0T 449.3*263.5(BK451)/44P090	1	
601211157	630800074	SURE BACK COVER SUPPORT	FE2.0T*17*43	2	
601230711	630800108	SURELAM OUTER TENSION DISC	FE 3.0*62*28*19	1	
601211111	631000069	3"CORE BUSH STOPPER PIN	STS0.8T*40*12	4	
	631800339	EX-P1080 P/ROLLER	1228*F50*1110 (201-45 GRAY)	2	
	631800363	44DT H/ROLLER	1210*F55*1126 (601-45 GRAY)/H010	2	4
613011011	632500529	EAGLE ECCENTRIC BUSH(PL)	f12*f22*15	2	
613030301	632500633	EAGLE FILM SHAFT BUSH(PL)	f15.5*f10*11.0	3	
613030540	632500681	GBC4265 IDLE GEAR CENTERED PIN(PL)	SM45C F10*27.5	2	
613010113	632500721	SURE ECCENTRIC LEVER(PL)	M10*117	1	
613011005	632500803	ROLL ECCENTRIC LEVER CAP (PL)	f20*40	1	
613011014	632500810	HEAT SHOE CLAMPING BOLT(PL)	F30*M12*26	2	
613030537	632501314	FILM TENSION ADJUST BOLT(PL)	45C*F13.5*30(EAGLE,ULTIMA)	2	
	632501476	OFFICE-ROLL H/ROLLER BUSH	BS F46*F40*F30*17	2	
Old P/N	P/N	Items	Specification	Required Q'ty	
	632501557	EX-P SEPARATOR HINGE PIN	S45CF15*F9*11.5	4	
	632501558	EX-P TABLE POSITION BOSS	S45C F15*16	1	
	632501559	EX-P REWINDER TENSION BOLT	S45C F15*62*M8	1	
	632501589	EX-P1080 REWINDER HEX SHAFT(PL)	FE HEX 19*1161/H131	3	
	632501594	EX-P1080 FRONT TABLE SHAFT(PL)	S45C F10*1160	1	
	632501595	EX-P1080 IDLE ROLLER(PL)	S45C F30*1165	1	
	632501596	EX-P1080 ECCENTRIC SHAFT	S45C F12*1219	1	
	632501597	EX-P1080 IDLE SHAFT	S45C F12*1246	1	
	632501599	EX-P1080 P/ROLLER BUSH	BS F33*F28*F23*17	4	
	632501698	EX-P1080 IDLE ROLLER(PL)	S45C F30*1165 (TEFLON)	1	
	632501699	EX-P1080 REWINDER IDLE BOSS	S45C F20*F12*36	1	
	632501702	EAGLE TENSION BLOCK(PL)	S45C F25*F15*74	2	
	632501703	CATENA TENSION BLOCK(PL)	S45C F25*F15*90	1	
	632501776	EX-P CLUTCH SHAFT(ET00H103)	S45C F35*F17*62*M12	1	4
	632501826	EX-P H/ROLLER BUSH(PL)	S45C F46*F40*F30*17	2	
	633000187	EX-P MOTOR COVER	ABS	1	

	633000192	44DT EXTENSION COVER(L)	ABS2.5T 67.7*65.4*51(450-76274)	1	2
	633000193	44DT EXTENSION COVER(R)	ABS2.5T 67.7*65.4*51(450-76274)	1	2
	633000194	44DT REWINDER COVER(L)	ABS3.0T 93*162*F17(450-76274)	1	2
	633000195	44DT SIDE COVER(L)	ABS3.5T 471.2*276.6*75(450-76274)	1	2
	633000196	44DT SIDE COVER(R)	ABS3.5T 471.2*276.6*75(450-76274)	1	
	633000197	44DT CONTROL PANEL	ABS 58*122(450-76274)	1	2
	633000198	44DT REWINDER COVER(R)	ABS3.0T 93*162(450-76274)	1	2
604022109	633200036	EXCELAM II TABLE LEVER GUIDE	PC 49*19*8.7(920-70625)	1	
	633200224	44DT TENSION KNOB	ABS F50*F15*30 (450-76274)	3	
703021051	633300118	ECCENTRIC LEVER HANDLE(ROLL)	BACKLIGHT f8.0*85	1	
604037033	633400016	3"BLACK CORE BUSHING	AL M19*T30*F75	4	
601250173	633600196	EXCELAM II ROLLER COVER BLOCK	AL 10T*25*31.95(PL)	2	2
	633600633	EX-P1080 SIDE SLITTER RAIL	AL 3.0T*44.5*26.5*1160(BK451)	1	2
	633600634	EX-P1080 BLADE RAIL	AL 353*308*1158(BK451)	1	2
Old P/N	P/N	Items	Specification	Required Q'ty	
	633600636	EX-P1080 ROLLER COVER CAP	AL 24*16*1152(BK451)	1	2
	633600653	EX-P1080 REAR COVER	AL 3.0T*76.9*157.5*1158(BK451)	1	1
	633600683	44DT FRONT COVER	AL2.3T 140*1160(BK451)/44I020	1	1
	633600710	44DT FRONT TABLE	AL 1158*172*16.4(GY124)/44I010	1	
703070101	634100126	F45 CLUTCH SKIN PAD(F12)	SKIN 2.0T*F12*F45	4	10
703070112	634100136	HR2 INSIDE TENSION DISK	3.0T*F56	2	10
703070114	634100138	F55 CLUTCH SKIN PAD	SKIN 2.0T*F15*F55	1	10
	634100194	F12 CLUTCH PET PAD	PET 0.25T*F12*F45	4	10
	634100195	F63 CLUTCH PAD	NON ASBESTOS 3.0T F63*F17	1	4
	634100196	PENTAGON KNOB BOLT	XFKB-M6-9LM(M6*9*F24)	2	
	634200032	EXCELAM-PLUS TAKE UP	MC F30*30	2	
703010103	634300004	RUBBER FOOT (HR/PHOTONEX)	SILICON (f28*f22*20)	4	
703010332	634300047	HOLDER (EAGLE/ULTIMA)	SILICON (6T*38*26)	4	
609070103	634700003	CROSS FAN MOTOR	PCF-6230GMP9-1(230/50)C.W	1	1
609070104	634700004	CROSS FAN MOTOR	PCF-6230GMP9-2(230/50)C.C.W	1	1
6090205	635000005	DC GEARED MOTOR(DM012)	DC 35V 100W	1	2
610011903	635300085	TRANSFORMER GM7660EX-234	GM7660EX-234	1	2
701010103	635400003	BALL BEARING	6803	2	4
701020203	635400045	THRUST NIDDLE ROLL BEARING	AXK1730	2	
701020213	635400055	THRUST NIDDLE ROLL BEARING	AXK1528	3	
701020221	635400063	DRAWN CUP NIDDLE BEARING	HK2212	2	
701110702	635400092	THRUST NIDDLE WASHER	AS1730	4	
701110703	635400093	THRUST NIDDLE WASHER	AS1528	6	
701050234	635500027	DU BUSHING FLANGE	10*08	4	
701050293	635500076	DU BUSHING FLANGE	12*6	2	

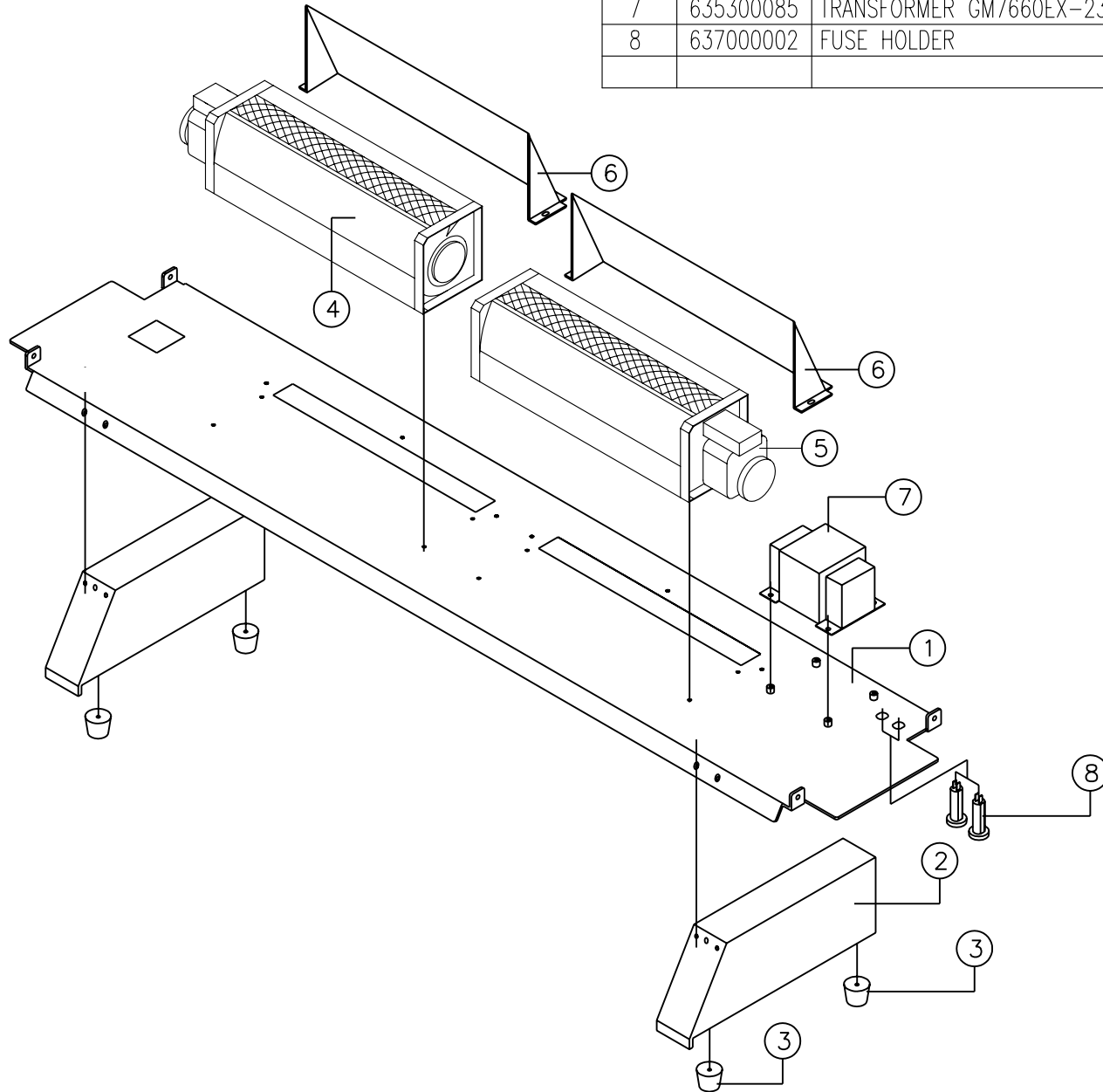
701050143	635500112	DU BUSHING TUBE	15x10	1	
701050183	635500149	DU BUSHING TUBE	15*04	1	
701070130	635700019	ROLLER CHAIN	RS25H(30PCS)	1	2
701070141	635700030	ROLLER CHAIN	RS25H(41PCS)	1	2
701070148	635700037	ROLLER CHAIN	RS25H(48PCS)	1	
				Required Q'ty	
	635700153	ROLLER CHAIN RS25H	RS25H(22.5PCS) EX-P1080	1	2
	635800345	EX-P CLUTCH SPROCKET	RS25H 25T*F26*9.0	2	2
	635800348	EX-P ECCENTRIC IDLE GEAR	S45C 33T(M1.0)*F12*25	2	
	635800380	EX-P REWINDER CLUTCH SPROCKET	RS25H 24T*F17*F60*10.5	1	
	635800381	EX-P1080 MOTOR SPROCKET	RS25H 13T*F10*42	1	2
	635800382	EX-P1080 H/R SPROCKET	RS25H 33T*F30*13	1	2
	635800383	EX-P1080 P/R DOUBLE SPROCKET	RS25H 29T+19T*F20*14.3	1	2
	635800384	EX-P1080 IDLE DOUBLE SPROCKET	RS25H 15T+15T*F14*14.3	1	2
704140403	636400021	CORD STOPPER	7NR-32	1	
704031123	636600085	CORD PLUG INLET 250V(USA)	3P 1.25/13A SVT(SET)	1	
704120101	637000002	FUSE HOLDER	f12.5*20mm250V10A	2	2
704091048	637400013	CIRCUIT BREAKER	W28-XQ1A,15A	1	4
704090411	637400025	MICRO SWITCH (EAGLE)	250V/15A(VP-531A-3H)2	1	4
704090423	637400036	MICRO SWITCH (EXCELAM II)	250V/15A(VP-531A-3H)3	2	4
704090102	637400042	POWER S/W ROCKER	DPDT 250V16A(310B5NR)	1	4
	637400164	RUBBER KEY SWITCH	44DT 11P (40*54)	1	
704150103	637800003	BI-METAL THERMOSTAT	140 DEG(PW2N)	1	4
704150109	637800009	BI-METAL THERMOSTAT	105 DEG(PW2N)	1	4
704161803	638000078	WIRE ASS'Y EAGLE	UL3068#16(WHITE)L70-R3.2	1	
704161806	638000081	WIRE ASS'Y EAGLE	UL1015#16(WHT)L400-SOLDER	1	
704161807	638000082	WIRE ASS'Y EAGLE	UL1015#16(BLK)L400-SOLDER	1	
704161809	638000084	WIRE ASS'Y EAGLE	UL1015#16(BLK)L150-T250R	2	
704161810	638000085	WIRE ASS'Y EAGLE	UL1015#16(WHT)L150-T250R	1	
704161822	638000097	WIRE ASS'Y EAGLE105	UL1007#18(BLK/RE)L550-5557-2P	1	
704164702	638000156	WIRE ASS'Y EXCELAM II-355	UL3068#16(WHT)L750-7SOLDER-R250	1	
704164703	638000157	WIRE ASS'Y EXCELAM II	UL2464#24(7C)L920-5264-5264	1	
704164713	638000167	WIRE ASS'Y EXCELAM II-1055	UL1007#18(YEL/YEL)L1300-M5557-R187	1	
704164714	638000168	WIRE ASS'Y EXCELAM II-1055	UL1015#20(BLU/BRN)L1350-M5557-10STR/F	1	
704164715	638000169	WIRE ASS'Y EXCELAM II-1055	UL1007#18(ORG)L2050-R187-R187	1	
704164716	638000170	WIRE ASS'Y EXCELAM II-1055	UL3068#16(WHT)L1400-7SOLDER-3.2RING	1	
				Required Q'ty	
704164717	638000171	WIRE ASS'Y EXCELAM II-1055	UL1007#18(ORG/ORG)L1300-M5557-R187	1	
704164720	638000174	WIRE ASS'Y EXCELAM II-655/1055	UL1015#20(BLU)L100-R187/10STRIP	1	

704165356	638001500	WIRE ASS'Y SPARTAN	UL3068#16(WHT)L120	2	
704164623	638001592	WIRE ASS'Y SURELAMPRO-500	UL3068#16(WHT)L120-RE250-3.2RING	1	
704162910	638001916	WIRE ASS'Y/DOLPHIN	UL1015#18(GRN/YEL)L200	1	
	638200381	EX-P1080 INFRARED HEATER ASS'Y	33 OHM F15.5*1224	2	6
705031302	638400008	FERRITE EMI FILTER	ES1-F15/15A	1	
706011106	638900044	PCB ASS'Y EXCELAM II MAIN	EXCELAM II MAIN	1	2
706011107	638900045	PCB ASS'Y EXCELAM II DISPLAY	EXCELAM II DISPLAY	1	2
705200201	639400001	INFRARED SENSOR ASS'Y	TPML1-710	1	2
706111121	639900025	EXCELAM II BACK TRIMMER ASS'Y	PC 920-70625	1	
701130407	710100016	TOOL L WRENCH	4	1	
801041014	710300024	STYROFOAM CATENA	182*616	1	
	710300068	STYROFOAM EXCELAM-PLUS	EPS 510*616*155	1	
	710400253	C/T BOX 44DT	1485*630*605	1	
	710800142	MANUAL/44DT	210*150*24PAGE(ENGLISH)	1	
701108113	810301384	M/S ROUND HEAD M4.0RH	M4.0*45RH WHT/(24mm)	8	
701108122	810301387	M/S SHOULDER HEAD M4.0FH	M4.0*35FH WHT(26mm)	2	
701090832	810400042	SPRING PIN	2*15	2	
701090706	810400065	SPRING S RING	12	2	
701090715	810400074	SPRING S RING	23	2	
701090716	810400075	SPRING S RING	40	4	
701090103	810400103	ROLLER SPRING	1.6T*32	8	
701090141	810400133	ROLL FILM PIPE SPRING	3.5T*F26*24MM	3	
701090158	810400150	PULLING SPRING	0.8T*35mm	2	
701090169	810400161	LEVER SPRING(EXCELAM II)	0.6T*F4*7.7	1	
	810400204	DISK SPRING	DB-18	2	
	810400205	SPRING S RING	28	4	
801060114	810500033	POLY BACK OFFICE-1050HRP	PE 1700*800*0.8T	1	
804020404	810500065	FILM CORE	F58*8T*1000	1	
Old P/N	P/N	Items	Specification	Required Q'ty	
8050112	810500081	CORE ADAPTER 57MM	OFFICE-HR	2	
	810500090	STATER PAPER	394*273(MANILA 450G)	1	
803040323	810700065	WARNING SHOCK HAZARD STICKER	39MM*168MM	2	
803040325	810700067	WARNING SHARP BLADE STICKER	22MM*114MM	1	
803040326	810700068	WARNING STICKER(PULL ROLLER)	PC 0.25T*38*114	1	
803040327	810700069	WARNING HOT ROLLS PINCH POINT STICKER	22MM*114MM	2	
803040329	810700070	WARNING DO NOT OPERATE STICKER	32MM*127MM	1	
803040355	810700092	COLD TENSION KNOB STICKER	F37(WHITE)	3	
	810700281	44DT HOLE COVER STICKER(LOW)	AL0.5T F46(SKY BLUE)/CL14L020	1	2
	810700282	44DT REWINDER COVER STICKER	AL0.5T 60.8*19.5(SKY BLUE)/CLQ4L011	1	2
	810700283	44DT NAME STICKER	PC0.4T 82*42/44L010	1	

	810700284	44DT ROLLER TENSION STICKER	PC0.4T F74*F25/44L020	1	
	810700285	44DT FUSE STICKER	PC0.4T 61*30(5.0A/2.0A)	1	
	810700286	44DT S/W PANEL STICKER	PC 0.8T 114*50.5/44L040	1	
	810700287	44DT ELLIPSE STICKER	AL0.5T 52*46(SKY BLUE)	1	

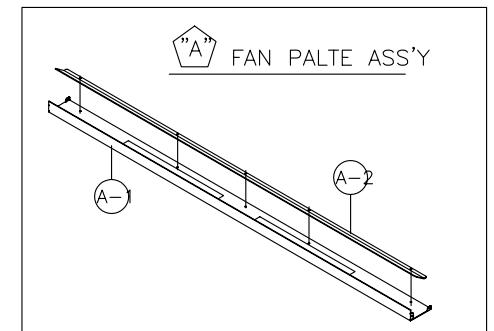
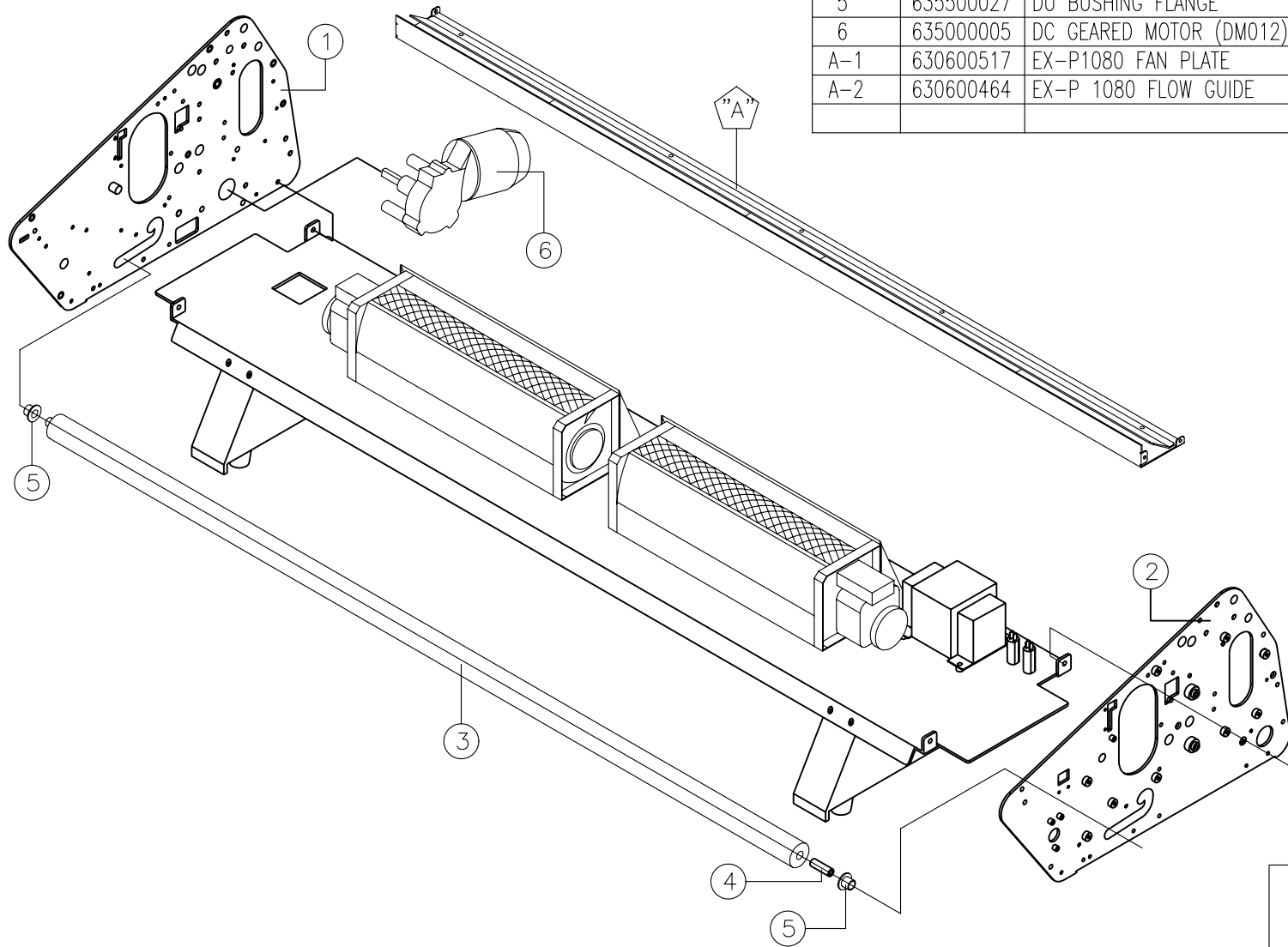
Ass'y-1

Item No	Part No.	Part name	Spec	Quantity
1	630600607	44DT BOTTOM PLATE	SPC3.0T 244.6*1266(BK451)	1EA
2	630600608	44DT BOTTOM SPACER	SPCR2.3T 50*100*285(BK451)	2EA
3	634300004	RUBBER FOOT	SILICON (F28*F22*20)	4EA
4	634700003	CROSS FAN MOTOR	PCF-6230GMP9-1(230/50)C.W	1EA
5	634700004	CROSS FAN MOTOR	PCF-6230GMP9-2(230/50)C.C.W	1EA
6	630600609	44DT PCB PLATE	SPC2.0T 57*101.5*362(BK451)	2EA
7	635300085	TRANSFORMER GM7660EX-234	GM7660EX-234	1EA
8	637000002	FUSE HOLDER	f12.5*20mm250V10A	2EA



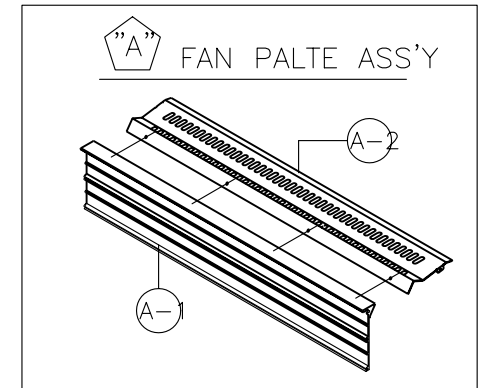
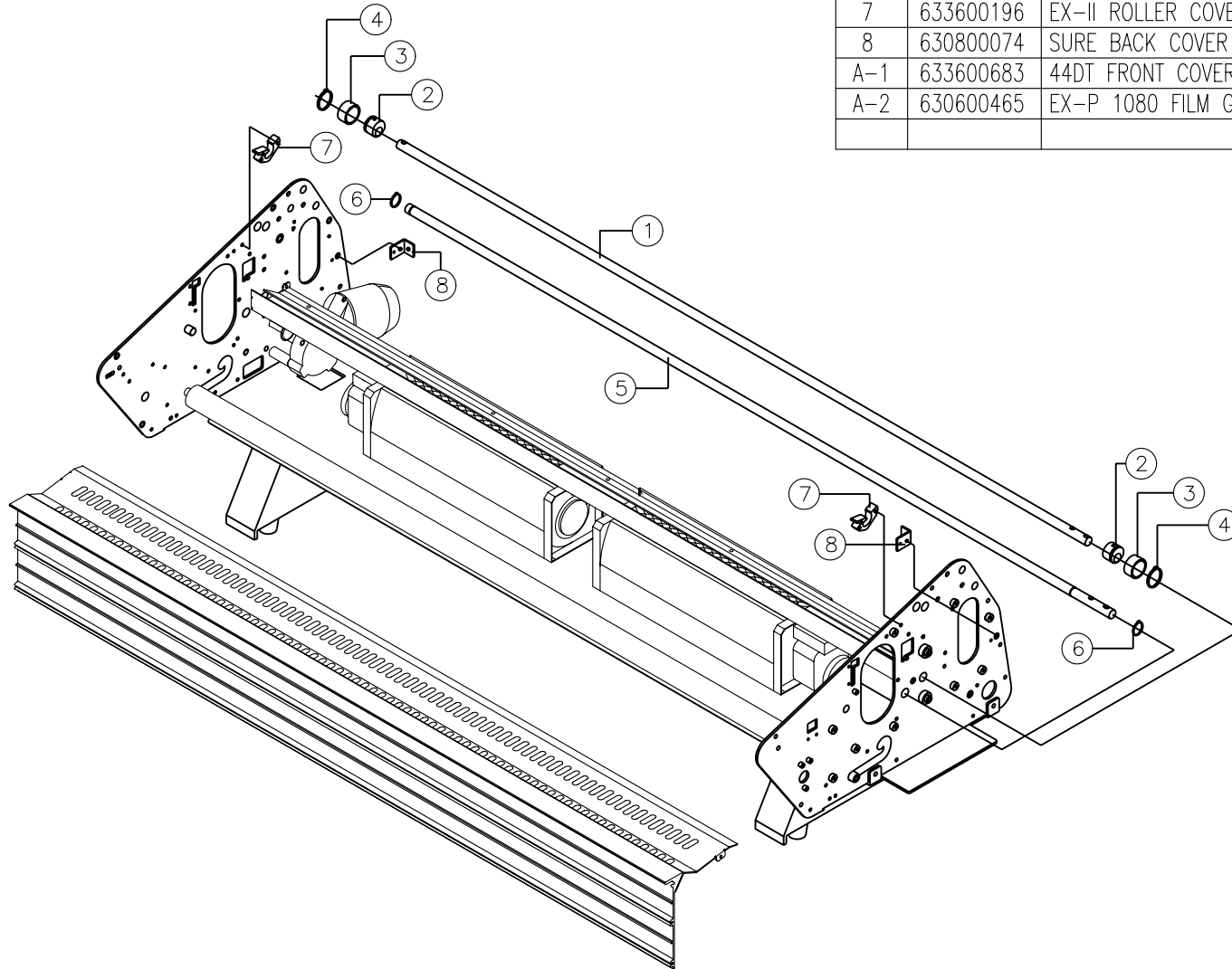
Ass'y-2

Item No.	Part No.	Part name	Spec	Quantity
1	630600618	44DT SIDE PLATE (L)	SPC3.0T 449.3*263.5(BK451)	1EA
2	630600619	44DT SIDE PLATE (R)	SPC3.0T 449.3*263.5(BK451)	1EA
3	632501595	EX-P1080 IDLE ROLLER	S45C F30*1165	1EA
4	632500681	SUPPORT PIN	S45C F10*27.5	1EA
5	635500027	DU BUSHING FLANGE	10*08	2EA
6	635000005	DC GEARED MOTOR (DM012)	DC 35V 100W	1EA
A-1	630600517	EX-P1080 FAN PLATE	SPC1.5T 67*29.5*1159(BK451)	1EA
A-2	630600464	EX-P 1080 FLOW GUIDE	SPC1.5T 33*1155 (BK451)	1EA



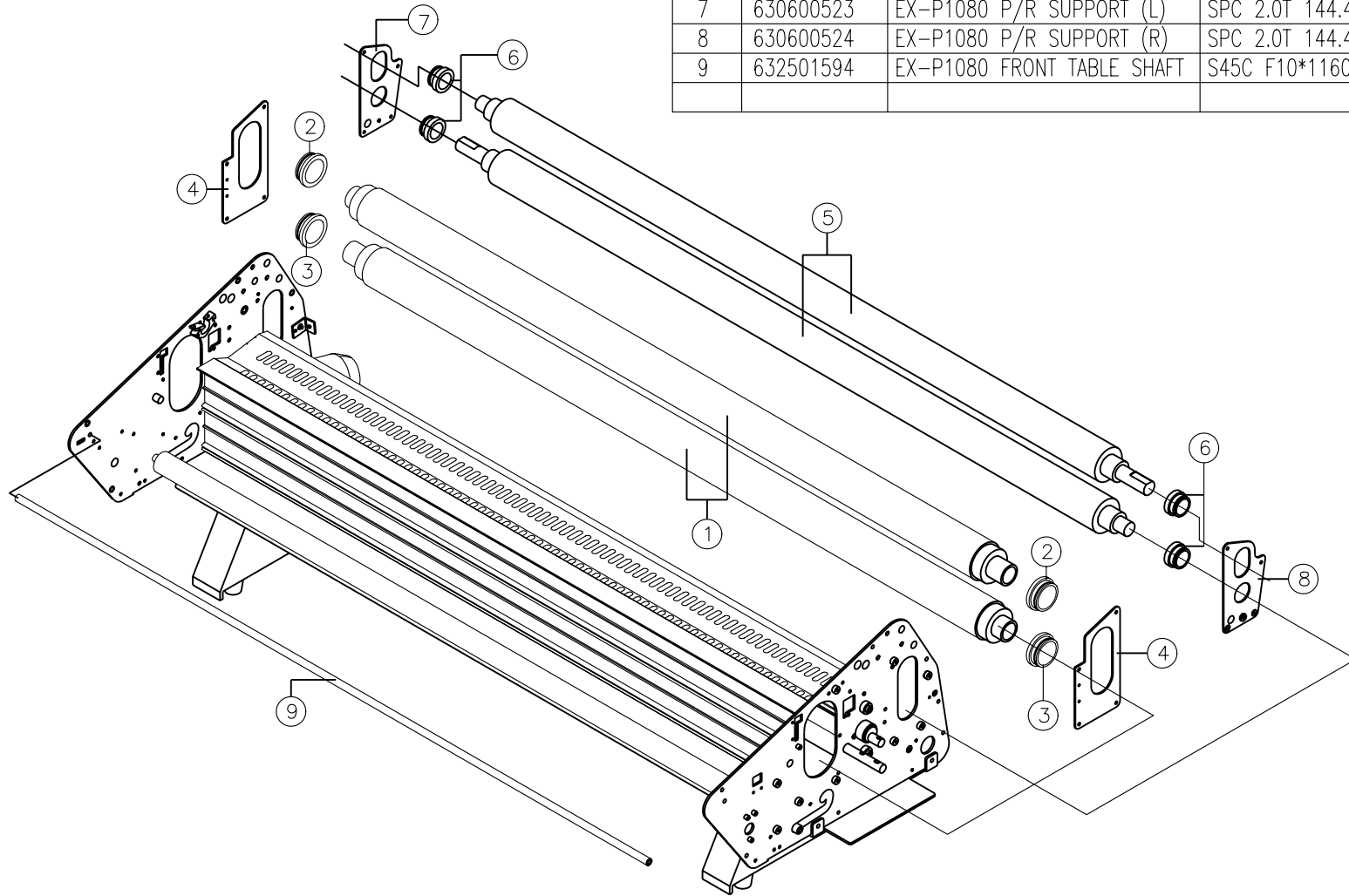
Ass'y-3

Item No	Part No.	Part name	Spec	Quantity
1	632501596	EX-P 1080 ECCENTRIC SHAFT	S45C F12*1219	1EA
2	632500529	EAGLE ECCENTRIC CAM	F12*F22*15	2EA
3	635400063	DRAWN CUP NIDDLE BEARING	HK2212	2EA
4	810400073	SPRING S-RING	F22	2EA
5	632501597	EX-P 1080 IDLE SHAFT	S45C F12*1246	1EA
6	810400065	SPRING S-RING	F12	2EA
7	633600196	EX-II ROLLER COVER BLCOK	AL 10T 25*31.95	2EA
8	630800074	SURE BACK COVER SUPPORT	FE2.0T 17*43	2EA
A-1	633600683	44DT FRONT COVER	AL 2.3T 140*1160 (BK451)	1EA
A-2	630600465	EX-P 1080 FILM GUIDE	SPC 1.5T100*1159 (BK451)	1EA



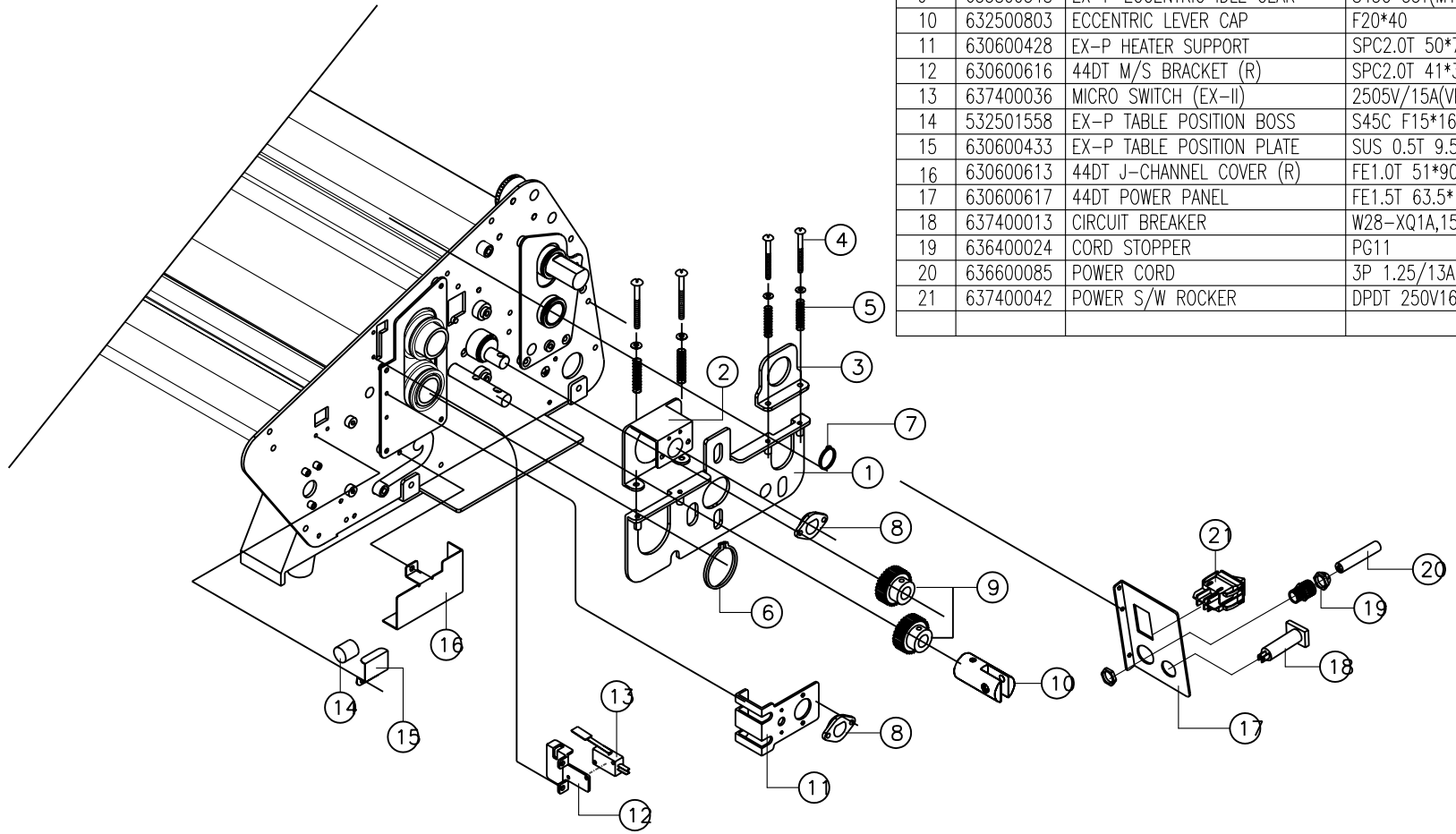
Ass'y-4

Item No	Part No.	Part name	Spec	Quantity
1	631800363	44DT H/ROLLER	1210*F55*1126 (601-45 GRAY)	2EA
2	632501476	H/ROLLE BUSH	BS F46*F40*F30*17	2EA
3	632501826	EX-P H/ROLLER BUSH	S45C F46*F40*F30*17	2EA
4	630600077	EX-II H/R SUPPORT	FE 2.0T 82*161.6 (BHK451)	2EA
5	631800339	EX-P 1080 P/ROLLER	1228*F50*1110 (201-45 GRAY)	2EA
6	632501559	EX-P 1080 P/ROLLER BUSH	BS F33*F28*F23*17	4EA
7	630600523	EX-P1080 P/R SUPPORT (L)	SPC 2.0T 144.4*57 (BK451)	1EA
8	630600524	EX-P1080 P/R SUPPORT (R)	SPC 2.0T 144.4*57 (BK451)	1EA
9	632501594	EX-P1080 FRONT TABLE SHAFT	S45C F10*1160	1EA



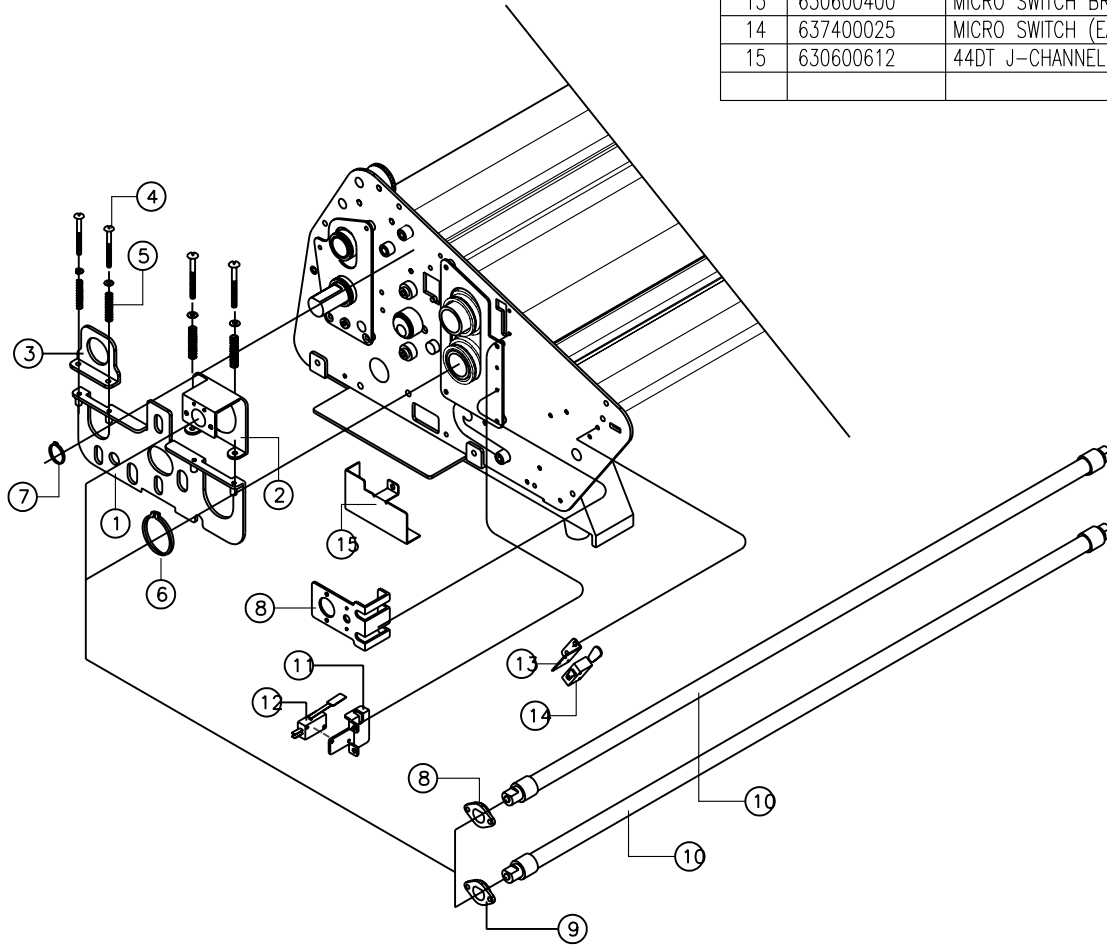
Ass'y-6

Item No	Part No.	Part name	Spec	Quantity
1	630600522	EX-P 1080 TENSION PLATE (R)	SPC 3.0T 220*110.5(Zn)	1EA
2	630600144	EAGLE H/ROLLER HOOK	FE 2.0T 66*150.5	1EA
3	630600469	EX-P 1080 P/ROLLER HOOK	SPC 3.0T 54*46*15.5(Zn)	1EA
4	810301384	M/S ROUND HEAD M4.0RH	M4.0*45RH WHT/(24mm)	4EA
5	810400103	ROLLER SPRING	1.6T*32	4EA
6	810400075	SPRING S-RING	F40	2EA
7	810400205	SPRING S-RING	F28	2EA
8	634300047	HOLEDER	SILICON 96T*38*26)	2EA
9	635800348	EX-P ECCENTRIC IDLE GEAR	S45C 33T(M1.0) F12*25	2EA
10	632500803	ECCENTRIC LEVER CAP	F20*40	1EA
11	630600428	EX-P HEATER SUPPORT	SPC2.0T 50*71 (BK451)	1EA
12	630600616	44DT M/S BRACKET (R)	SPC2.0T 41*36*12.5	1EA
13	637400036	MICRO SWITCH (EX-II)	2505V/15A(VP-531A-3H)3	1EA
14	532501558	EX-P TABLE POSITION BOSS	S45C F15*16	1EA
15	630600433	EX-P TABLE POSITION PLATE	SUS 0.5T 9.5*32	1EA
16	630600613	44DT J-CHANNEL COVER (R)	FE1.0T 51*90 (BK451)	1EA
17	630600617	44DT POWER PANEL	FE1.5T 63.5*100*10.5(BK451)	1EA
18	637400013	CIRCUIT BREAKER	W28-XQ1A,15A	1EA
19	636400024	CORD STOPPER	PG11	1EA
20	636600085	POWER CORD	3P 1.25/13A SVT (SET)	1EA
21	637400042	POWER S/W ROCKER	DPDT 250V16A (310B5NR)	1EA

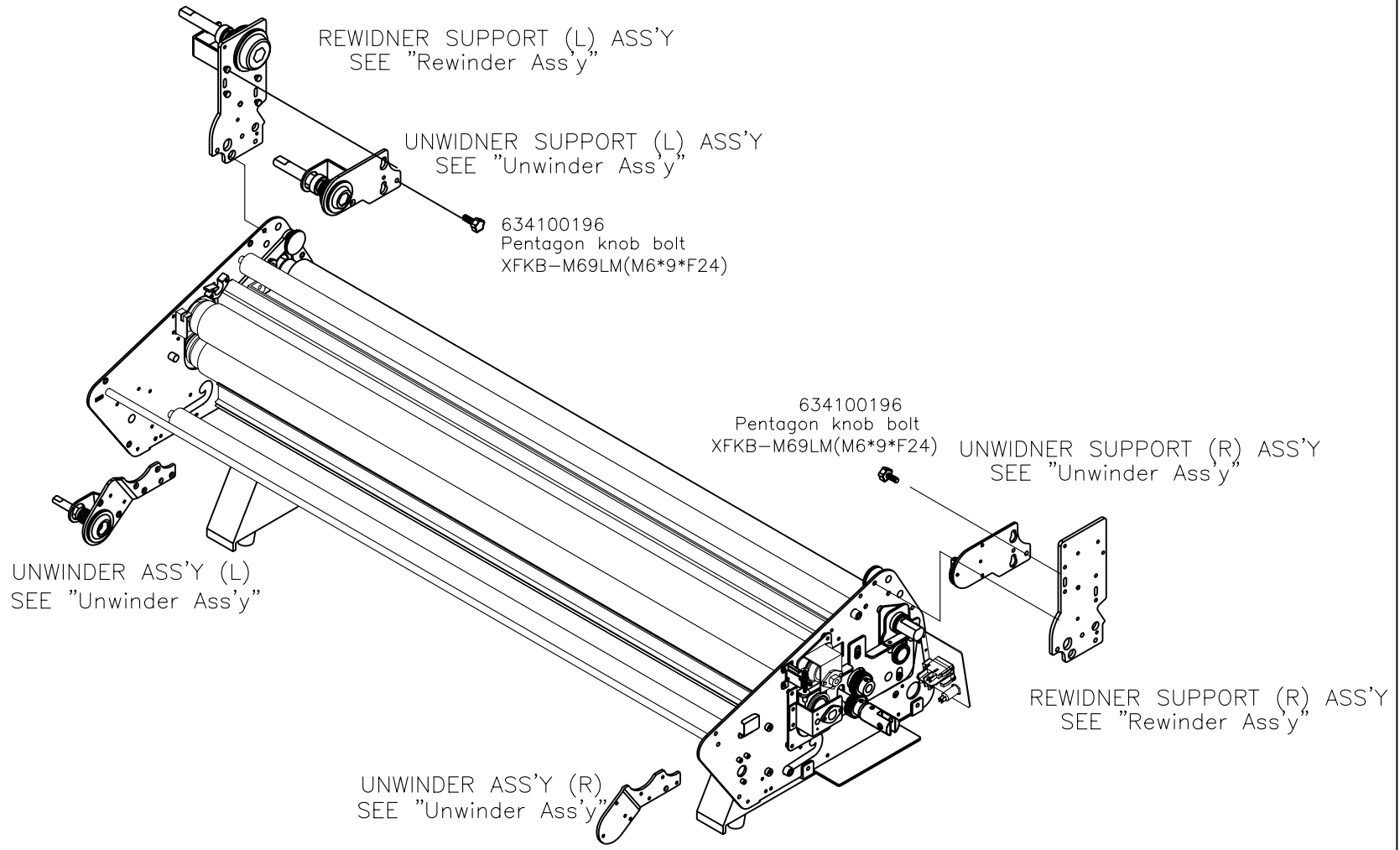


Ass'y-7

Item No	Part No.	Part name	Spec	Quantity
1	630600521	EX-P 1080 TENSION PLATE (L)	SPC 3.0T 220*110.5(Zn)	1EA
2	630600144	EAGLE H/ROLLER HOOK	FE 2.0T 66*150.5	1EA
3	630600469	EX-P 1080 P/ROLLER HOOK	SPC 3.0T 54*46*15.5(Zn)	1EA
4	810301384	M/S ROUND HEAD M4.0RH	M4.0*45RH WHT/(24mm)	4EA
5	810400103	ROLLER SPRING	1.6T*32	4EA
6	810400075	SPRING S-RING	F40	2EA
7	810400205	SPRING S-RING	F28	2EA
8	630600428	EX-P HEATER SUPPORT	SPC2.0T 50*71 (BK451)	1EA
9	634300047	HOLEDER	SILICON 96T*38*26)	2EA
10	638200381	EX-P 1080 INFRARED HEATER	330HM F15.5*1224	2EA
11	630600615	44DT M/S BRACKET (L)	SPC2.0T 41*36*12.5	1EA
12	637400036	MICRO SWITCH (EX-II)	2505V/15A(VP-531A-3H)3	1EA
13	630600400	MICRO SWITCH BRCKET	FE 1.5T 38.5*46	1EA
14	637400025	MICRO SWITCH (EAGLE)	2505V/15A(VP-531A-3H)2	1EA
15	630600612	44DT J-CHANNEL COVER (R)	FE1.0T 51*90 (BK451)	1EA

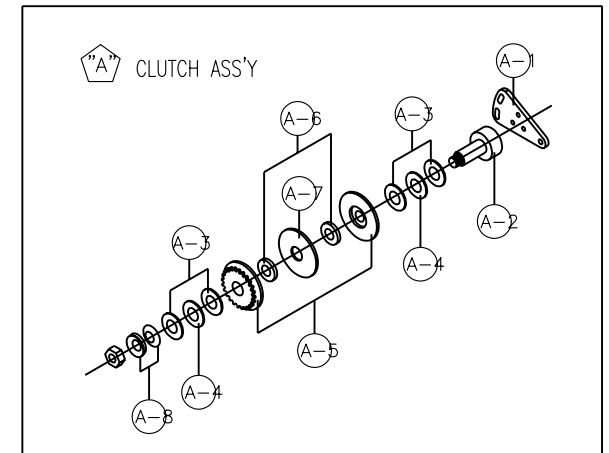
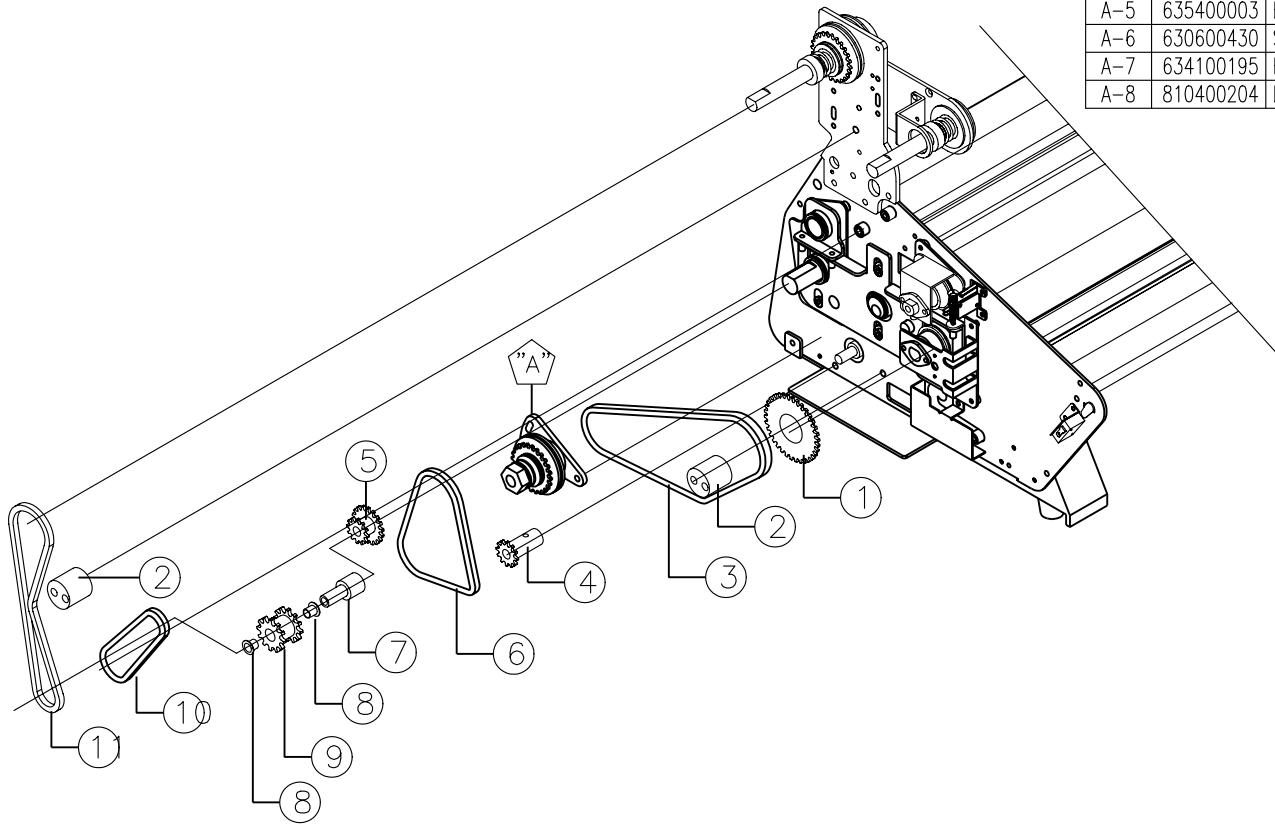


Ass'y-8



Ass'y-9

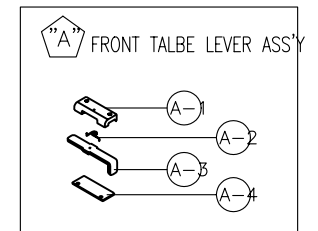
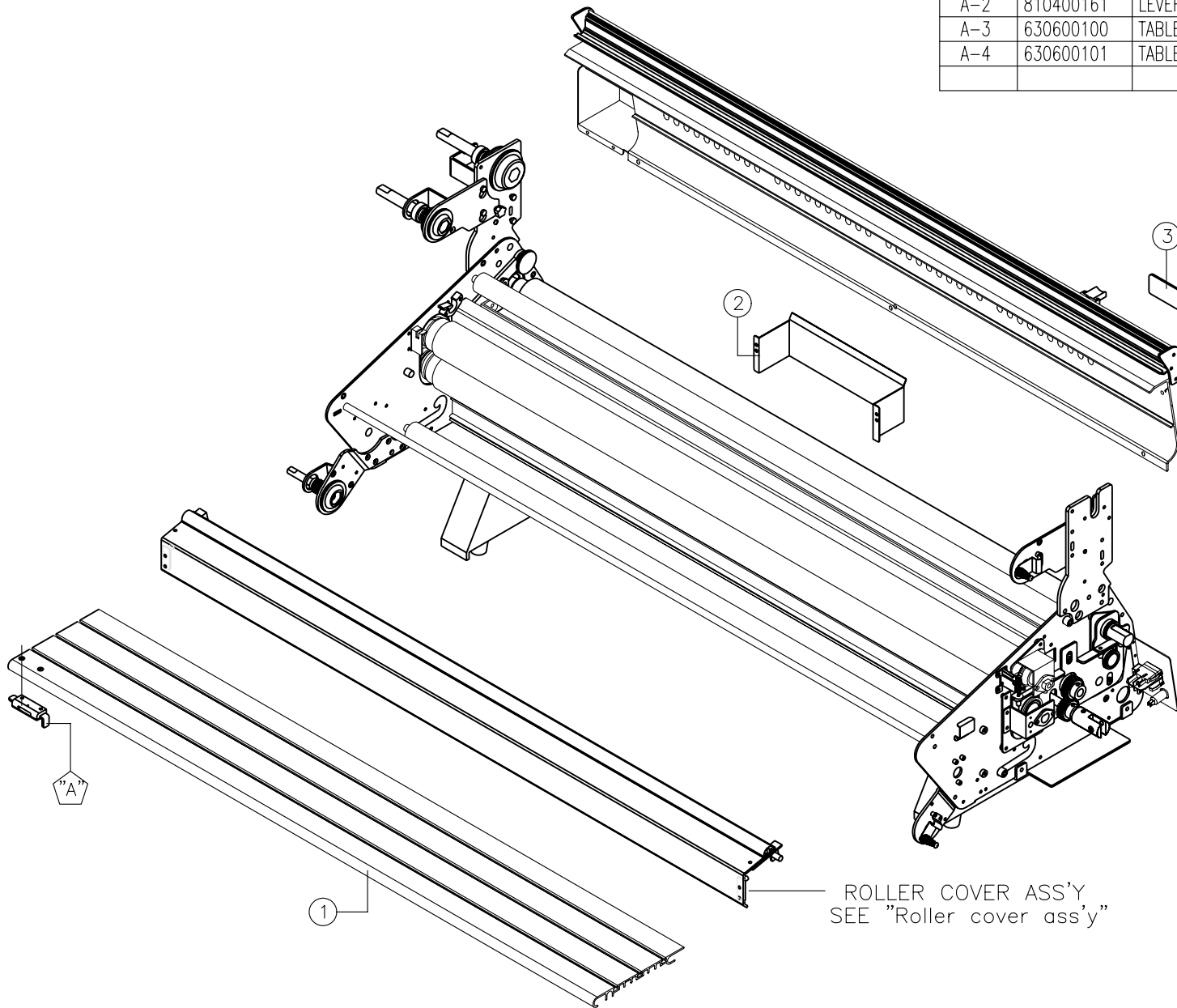
Item No	Part No.	Part name	Spec	Quantity
1	635800382	EX-P 1080 H/R SPROCKET	RS25H 33T*F30*13	1EA
2	634200032	EX-P TAKE UP	MC F30*30	2EA
3	635700037	ROLLER CHAIN RS25H	RS25H(48PCS)	1EA
4	635800381	EX-P 1080 MOTOR SPROCKET	RS25H 13T*F10*42	1EA
5	635800383	EX-P 1080 P/R DOUBLE SPROCKET	RS25H 29T+19T*F20*14.3	1EA
6	635700019	ROLLER CHAIN	RS25H(30PCS)	1EA
7	632501699	EX-P 1080 REWINDER IDLE BOSS	S45C F30*F12*36	1EA
8	635500076	DU BUSHING FLANGE	12*06	2EA
9	635800384	EX-P 1080 IDLE DOUBLE SPROCKET	RS25H 15T*15T*F14*14.3	1EA
10	635700153	ROLLER CHAIN	RS25H(22.5PCS)	1EA
11	635700030	ROLLER CHAIN	RS25H(41PCS)	1EA
A-1	630600571	EX-P655 CLUTCH SHAFT SUPPORT	SPC5.0T	1EA
A-2	632501776	EX-P CLUTCH SHAFT(ET00H103)	S45C F35*F17*62*M12	1EA
A-3	635400092	THRUST NIDDLE WASHER	AS1730	4EA
A-4	635400045	THRUST NIDDLE ROLL BEARING	AXK1730	2EA
A-5	635400003	BALL BEARING	#6803	2EA
A-6	630600430	SEPARATOR LEVER (L)	SPC5.0T 78*112*M12	1EA
A-7	634100195	F63 CLUTCH PAD	NON ASBESTOS 3.0T F63*F17	1EA
A-8	810400204	DISK SPRING	DB-18	2EA



Ass'y-10

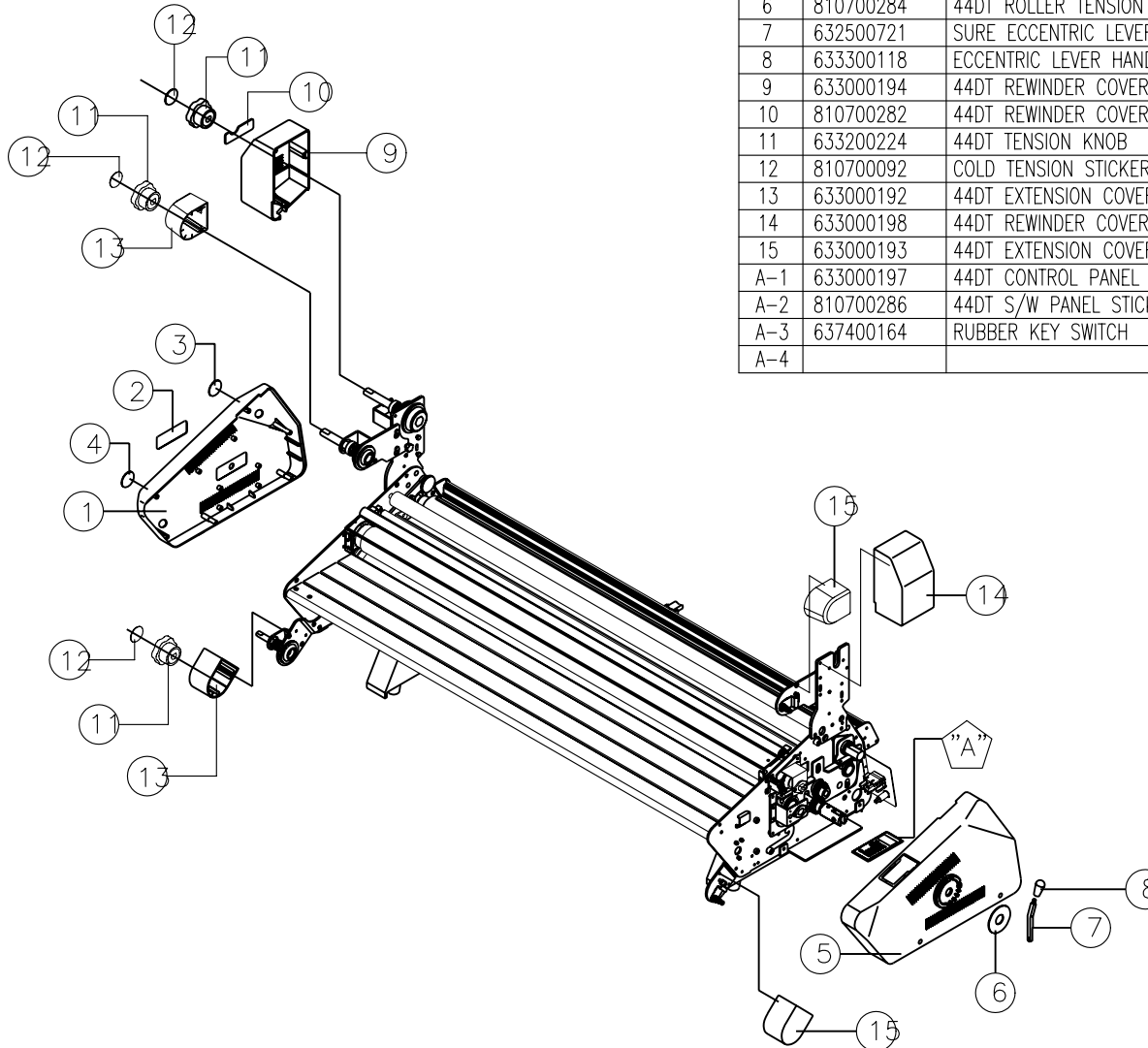
REAR COVER ASS'Y
SEE "Rear cover ass'y"

Item No.	Part No.	Part name	Spec	Quantity
1	633600710	44DT FRONT TABLE	AL 1158*172*16.4(GY-124)	1EA
2	630600444	EX-P655 PCB COVER	SPC1.0T 60*60*240 (BK451)	1EA
3	810700285	44DT FUSE STICKER	PC 0.4T 61*30	1EA
A-1	633600036	TABLE LEVER GUIDE	PC 49*19*8.7	1EA
A-2	810400161	LEVER SPRING	0.6T*F4*7.7	1EA
A-3	630600100	TABLE LEVER	SPC 3.0T 140*70	1EA
A-4	630600101	TABLE LEVER BRACKET	SPC2.0T 49*19	1EA



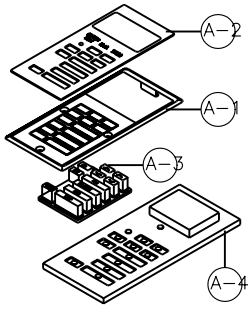
Ass'y-11

Item No	Part No.	Part name	Spec	Quantity
1	633000195	44DT SIDE COVER (L)	ABS 3.5T 471.2*276.6*75 (450-76274)	1EA
2	810700283	44DT NAME STICKER	PC 0.4T 82*42	1EA
3	810700287	44DT ELLIPSE STICKER	AL 0.5T 52*46 (SKY BLUE)	1EA
4	810700281	44DT HOLE COVER STICKER	AL 0.5T F46 (SKY BLUE)	1EA
5	633000196	44DT SIDE COVER (R)	ABS 3.5T 471.2*276.6*75 (450-76274)	1EA
6	810700284	44DT ROLLER TENSION STICKER	PC0.4T F74*F25	1EA
7	632500721	SURE ECCENTRIC LEVER	M10*117	1EA
8	633300118	ECCENTRIC LEVER HANDLE	BACKLIGHT F8.0*85	1EA
9	633000194	44DT REWINDER COVER (L)	ABS 3.0T 93*162*F17(450-76274)	1EA
10	810700282	44DT REWINDER COVER STICKER	A 0.5T 60.8*19.5 (SKY BLUE)	1EA
11	633200224	44DT TENSION KNOB	ABS F50*F15*30(450-76274)	3EA
12	810700092	COLD TENSION STICKER	F37 (WHITE)	3EA
13	633000192	44DT EXTENSION COVER (L)	ABS 2.5T 67.7*65.4*51(450-76274)	2EA
14	633000198	44DT REWINDER COVER (R)	ABS 3.0T 93*162(450-76274)	1EA
15	633000193	44DT EXTENSION COVER (R)	ABS 2.5T 67.7*65.4*51(450-76274)	2EA
A-1	633000197	44DT CONTROL PANEL	ABS 58*122 (450-76274)	1EA
A-2	810700286	44DT S/W PANEL STICKER	PC 0.8T 114*50.5	1EA
A-3	637400164	RUBBER KEY SWITCH	44DT 11P (40*54)	1EA
A-4				



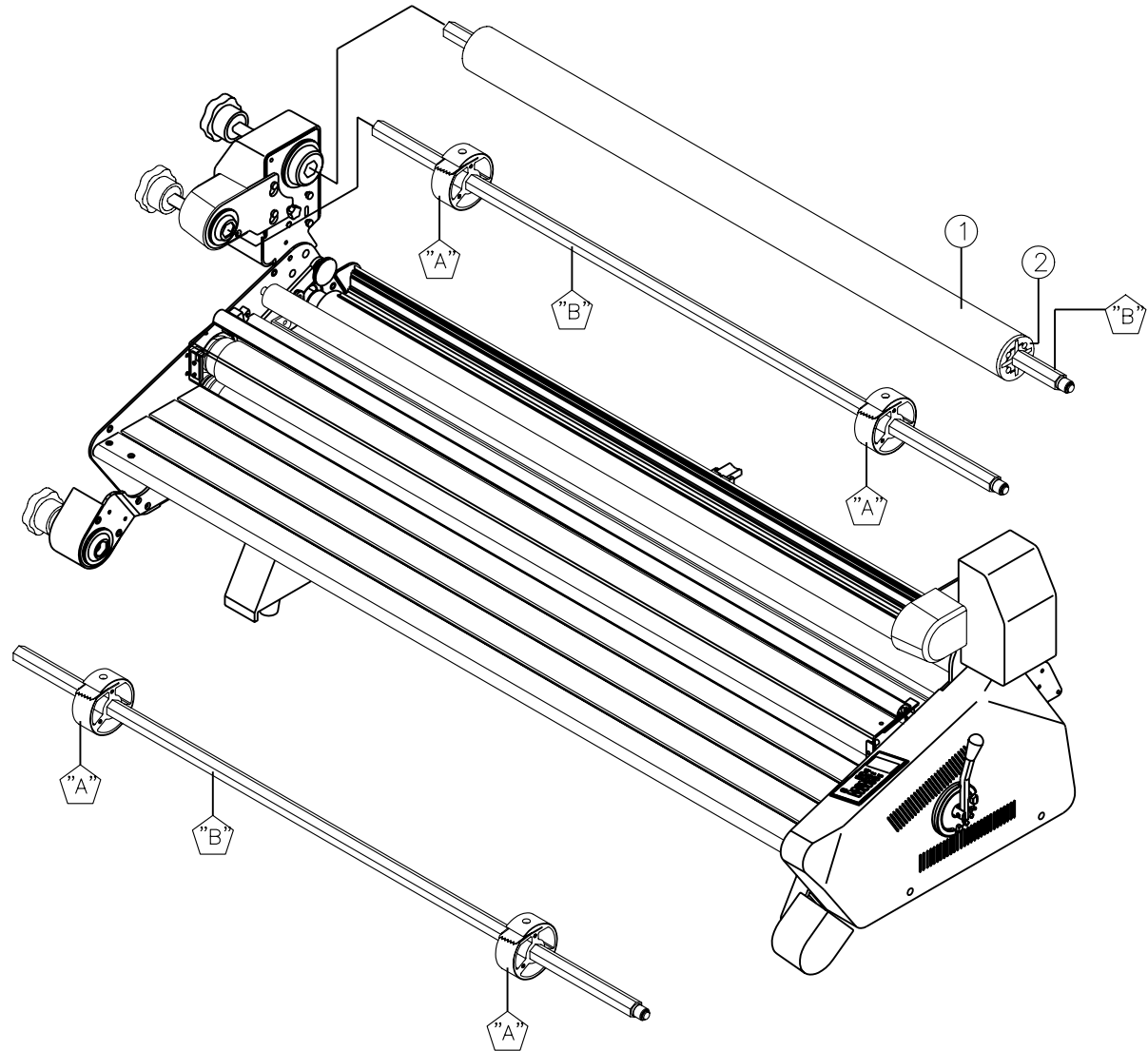
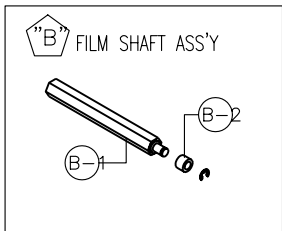
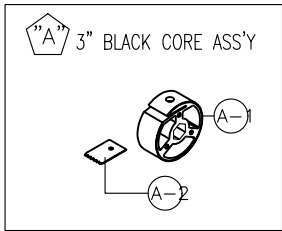
gbc ?? ??
 1) Bottom heater on/off LED lamp ??
 control panel sticker ??
 Rubber key ??

"A" Display Ass'y



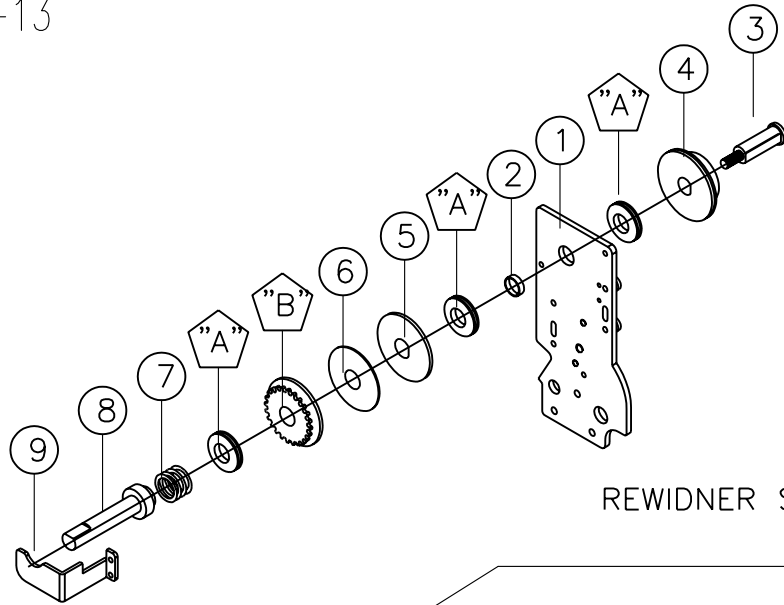
Ass'y-12

Item No.	Part No.	Part name	Spec	Quantity
1	810500065	Cardboard tube	F58*8t*1000	1EA
2	810500081	Chuck	OFFICE-HR	2EA
A-1	633400016	3" BLACK CORE BUSHING	AL M19*T30*F75	4EA
A-2	631000069	3" CORE BUSH STOPPER PIN	STS0.8T*40*12	4EA
B-1	632501849	44DT HEX FILM SHAFT	S45C HEX 19*1151	3EA
B-2	632500633	FILM SHAFT BUSH	F15.5*F10*11.0	3EA

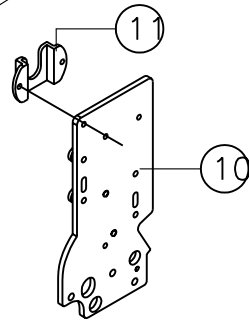


Ass'y-13

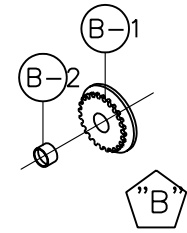
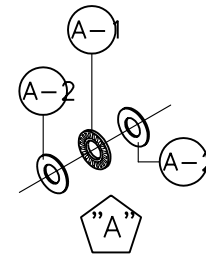
Item No.	Part No.	Part name	Spec	Quantity
1	630600510	EX-P REWINDER SUPPORT (L)	SPC4.0T 203*868*F17(BK451)	1EA
2	635500149	DU BUSHING TUBE	15*04	1EA
3	632501559	REWIDNER TENSION BOLT	S45C F15*62*M8	1EA
4	630800108	SURELAM OUTER TENSION SIDK	FE 3.0*62*28*19	1EA
5	634100136	HR2 INSIDE TENSION DISK	3.0T*F56	1EA
6	634100138	F55 CLUTCH SKIN PAD	SKIN 2.0T*F15*F55	1EA
7	810400133	FILM PIPE SPRING	3.5T*F26.*24mm	1EA
8	632501703	CATENA TENSION BLOCK	S45C F25*F15*90	1EA
9	630600516	REWINDER TENSION BLOCK STOPPER	SPC3.0T 27*62.5*53.5	1EA
10	630600627	44DT REWINDER SUPPORT (R)	SPC4.0T 203*868(BK451)	1EA
11	630200130	Q1120C FILM SUPPORT(15mm)	SPC 3.0T*58.8*35*15	1EA
A-1	635400055	THRUST NIDDLE ROLL BEARING	AXK1528	3EA
A-2	635400093	THRUST NIDDLE WASHER	AS1528	6EA
B-1	635800380	REWINDER CLUTCH SPROCKET	RS25H 24T*F17*F60*10.5	1EA
B-2	635500112	DU BUSHING TUBE	15*10	1EA



REWIDNER SUPPORT (L) ASS'Y



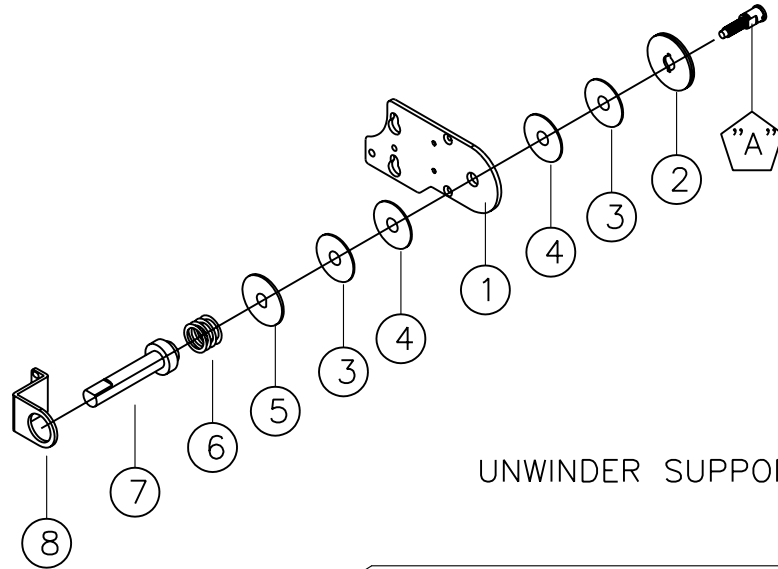
REWIDNER SUPPORT (L) ASS'Y



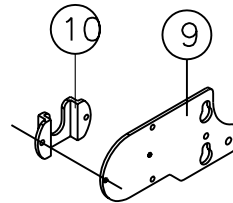
REWINDER ASS'Y

Ass'y-14

Item No.	Part No.	Part name	Spec	Quantity
1	630600435	EX-P UNWINDER SUPPORT (L)	SPC4.0T 73*147*F12	1EA
2	630600087	EX-II 1055 OUTSIDE TENSION PLATE	FE2.0T F44*8*M19 (BK451)	1EA
3	634100194	F12 CLUTCH PET PAD	PET 0.25T*F12*F45	2EA
4	634100126	F45 CLUTCH SKIN PAD (F12)	SKIN 2.0T F12*F45	2EA
5	630600157	EAGLE INSIDE TENSION PLATE	FE2.0T*F44	1EA
6	810400133	FILM PIPE SPRING	3.5T*F26.*24mm	1EA
7	632501702	EAGLE TENSION BLOCK	S45C F25*F15*74	1EA
8	630600159	TENSION BLOCK STOPPER	FE 3.0T 65*35	1EA
9	630600628	44DT UNWINDER SUPPORT (R)	SPC4.0T 73*147 (BK451)	1EA
10	630200130	Q1120C FILM SUPPORT(15mm)	SPC 3.0T*58.8*35*15	1EA
A-1	632501314	FILM TENSION BOLT	S45C F13.5*30	1EA
A-2	810400042	SPRING PIN	2*15	1EA

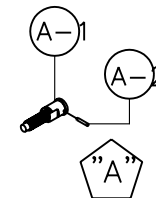


UNWINDER SUPPORT (L) ASS'Y

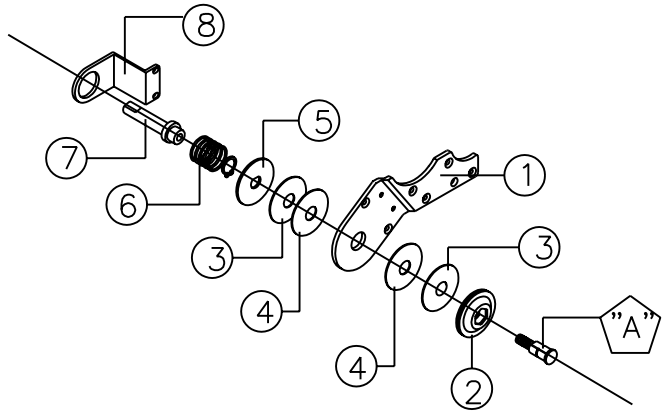


UNWINDER SUPPORT (R) ASS'Y

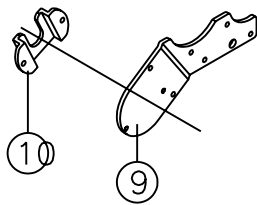
UNWINDER ASS'Y



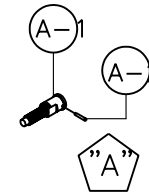
Ass'y-15



Film support ass'y (L)



Film support ass'y (R)

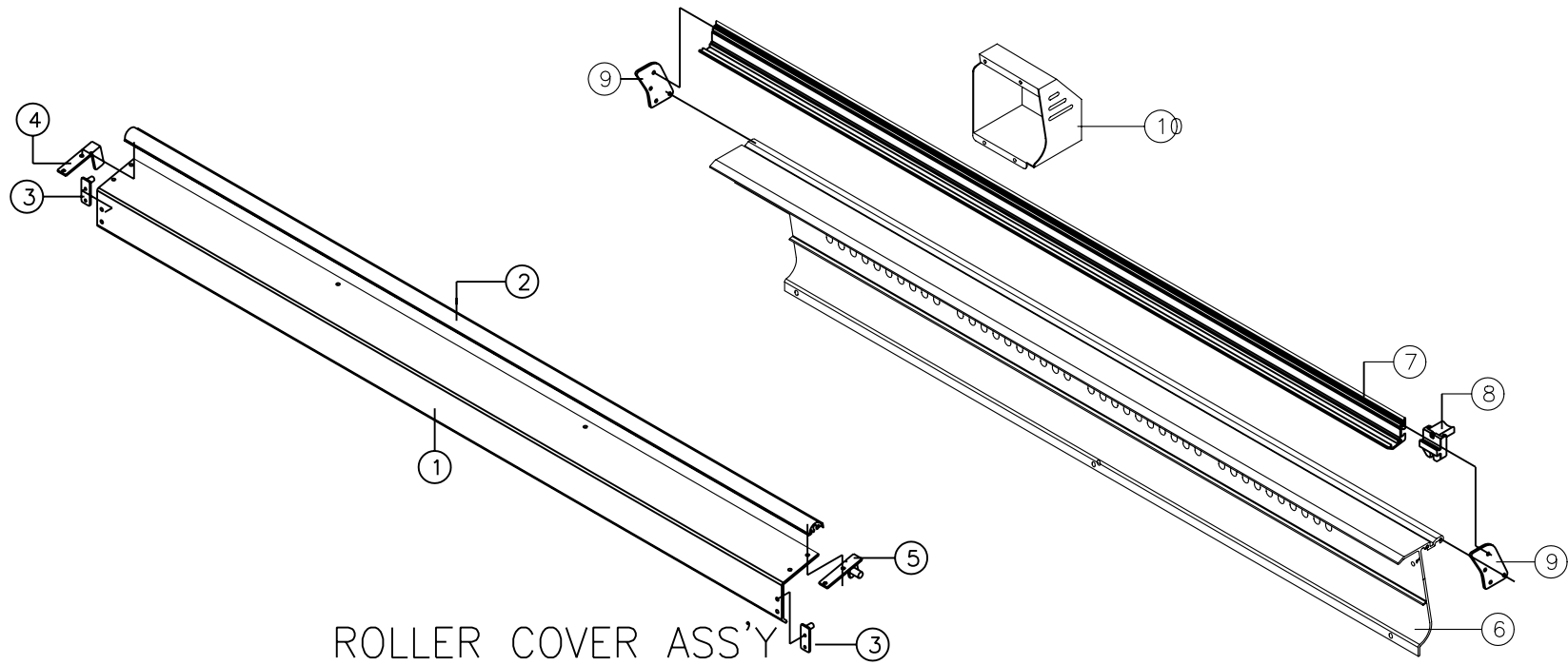


Item No	Part No.	Part name	Spec	Quantity
1	630600610	44DT EXTENSION PLATE (L)	SPC4.0T 162.8*90.7	1EA
2	630600087	EX-II 105 OUTSIDE TENSION PALTE	FE2.0T F44*8*M19 (BK451)	1EA
3	634100126	F45 CLUTCH SKIN PAD (F12)	SKIN 2.0T F12*F45	2EA
4	634100194	F12 CLUTCH PET PAD	PET 0.25T*F12*F45	2EA
5	630600157	EAGLE INSIDE TENSION DISK	FE 2.0T F44	1EA
6	810400133	FILM PIPE SPRING	3.5T*F26.*24mm	1EA
7	632501702	EAGLE TENSION BLOCK	S45C F25*F15*74	1EA
8	630600159	EAGLE TENSION BLOCK STOPPER	FE 3.0T 65*35	1EA
9	630600611	44DT EXTENSION ARM (R)	SPC4.0T 162.8*90.7	1EA
10	630200129	Q1120C FILM SUPPORT(11mm)	SPC 3.0T*58.8*35*11	1EA
A-1	632501314	FILM TRENSION BOLT	S45C F13.5*30	1EA
A-2	810400042	SPRING PIN	2*15	1EA

EXTENSION UNWIDNER

Ass'y-16

Item No.	Part No.	Part name	Spec	Quantity
1	630600474	EX-P 1080 ROLLER COVER	PC 3.0T 121.8*1152	1EA
2	633600636	EX-P 1080 ROLLER COVER CAP	AL 24*16*1152	2EA
3	630600164	44DT ROLLER COVER BRACKET(FRONT)	SPC 3.0T 14*35*F4	2EA
4	630600096	EX-II ROLLER COVER SUPPORT (L)	SPC 2.5T 59.71*13	1EA
5	630600097	EX-II ROLLER COVER SUPPORT (R)	SPC 2.5T 59.71*13	1EA
6	633600653	EX-P 1080 REAR COVER	AL 3.0T 76.9*157.5*1158	1EA
7	633600634	EX-P 1080 BLADE RAIL	AL 353*308*1158 (BK461)	1EA
8	639900025	EX-II BACK TRIMMER ASS'Y	PC 920-70625	1EA
9	630600434	EX-P BLADE RAIL BARCKET	SPC 3.0T 63.8*60.7 (BK451)	2EA
10	633000187	EX-P MOTOR COVER	S45C F10*1160	1EA



ROLLER COVER ASS'Y

REAR COVER ASS'Y