

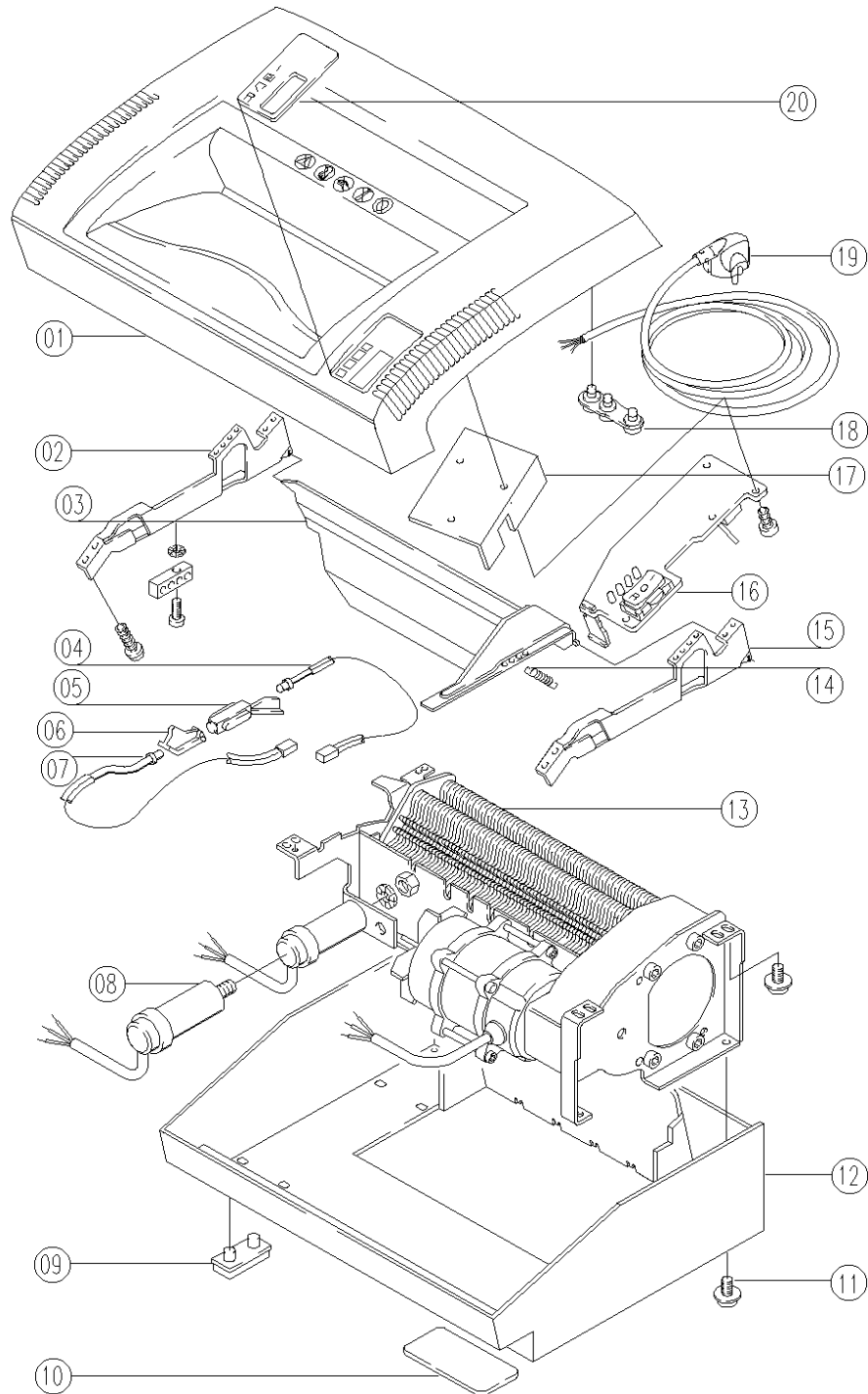


# 4270X PARTS LIST



GBC IS AN ACCO BRANDS COMPANY

**Section 8.0 4270X Parts List**  
**Exploded View**  
**Figure 8.4**

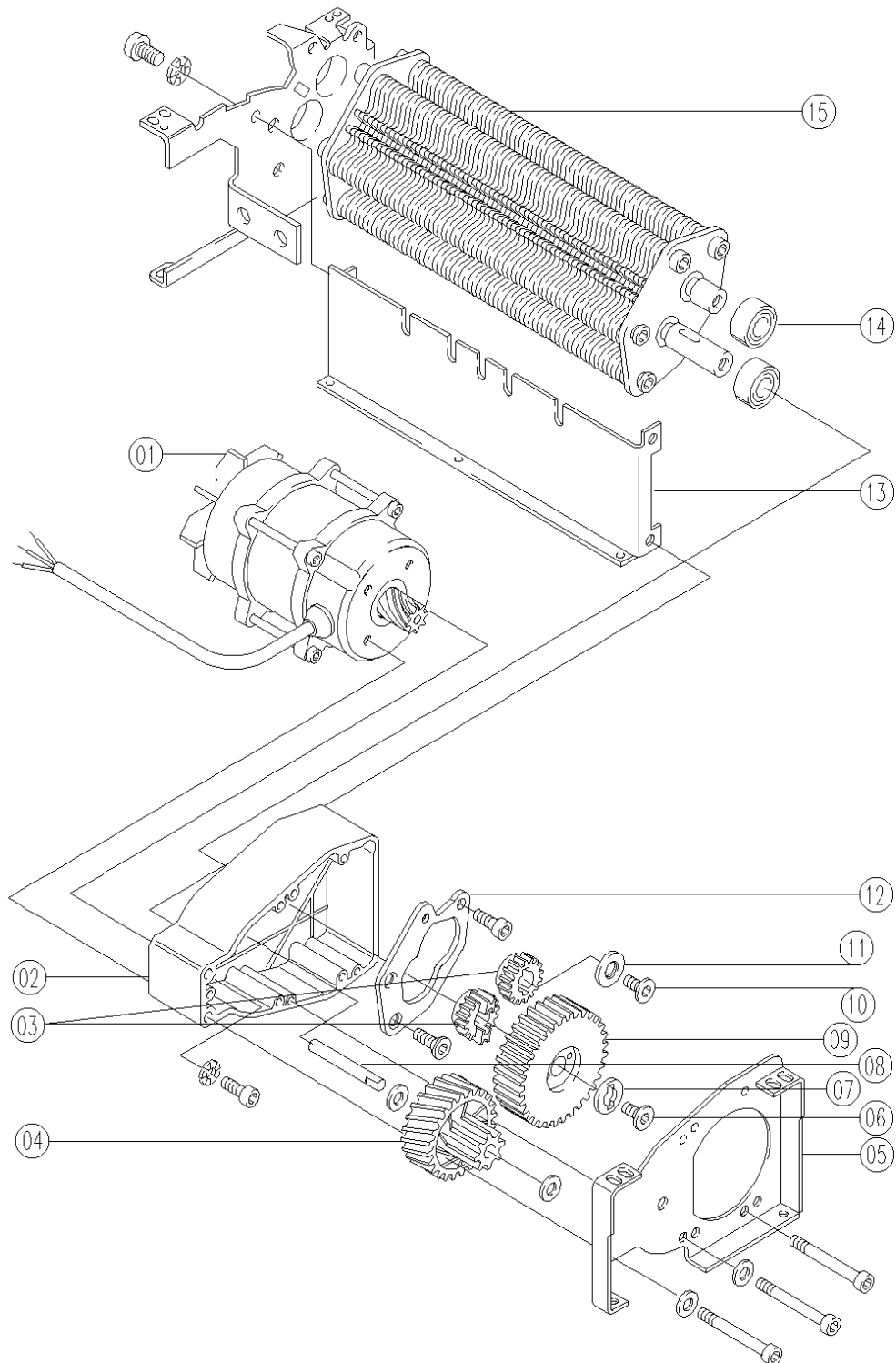


**Section 8.0 4270X Parts List**  
**Exploded View Parts List**  
**Figure 8.4**

				<b>QTY</b>
*			Warning Label	1
20		4200 013	4270X Icon Name Plate	1
19			Power Cord	1
18	1751207	2201 037	Power Cord, Support Strap	1
17	1752708	4200 022	Insulator	1
16		4200 230	Control Board Assy	1
15	1752707	4200 020	Support Bracket	1
14	1752731	2401 510	Bag Flap Spring	1
13		4200 530	Cutting Head Assy	1
x	1752730	9003 763	Insulation Pads, Exterior (Not Shown)	6
12	1751225	4200 580	Bottom Housing	1
11	1752704	9002 896	Bottom Housing Screw	8
10	1752703	4200 021	Sensor Plate	1
9	1751255	9001 920	Rubber Foot	4
8		9003 744	Capacitor	1
7	1752127	9003 742	Cable For Photo Cell	1
6	1751960	2401 010	Transmitter Assembly (Cover & Lens)	1
5	1751959	2000 012	Receiver Assembly (Cover & Lens)	1
4		9003 924	Cable For Photo Cell	1
3	1752701	4200 046	Bag Full Flap	1
2	1752707	4200 020	Support Bracket	1
1	1752700	4200 005	Upper Cover	1
<b>ITEM</b>	<b>PRT NO.</b>	<b>REF NO.</b>	<b>DESCRIPTION</b>	<b>230V</b>

\* Not shown located on the bottom cover

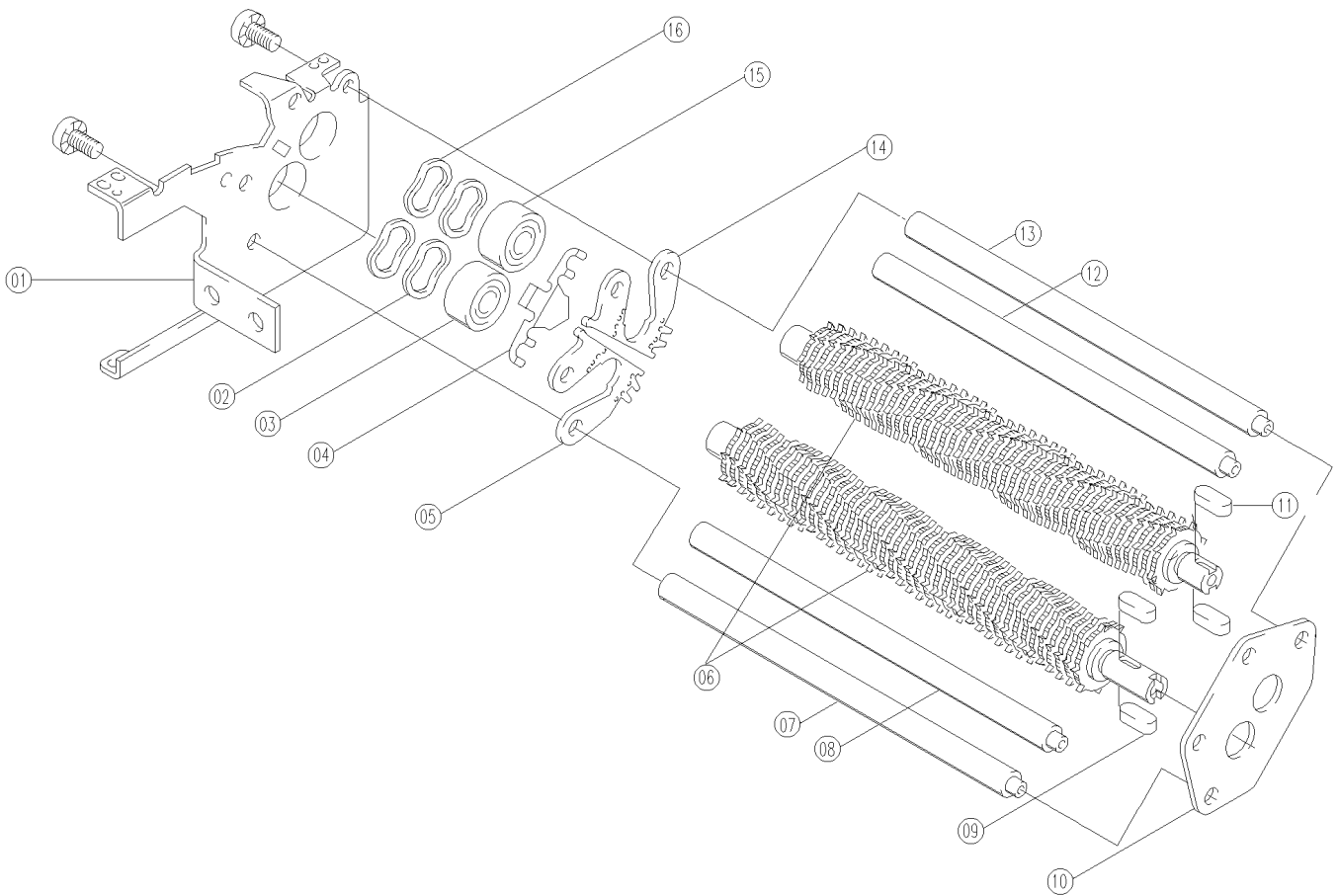
**Section 8.0 4270X Parts List**  
**Exploded View**  
**Figure 8.5**



**Section 8.0 4270X Parts List**  
**Exploded View Parts List**  
**Figure 8.5**

				<b>QTY</b>
15		4200 520	Cutting Head Complete	1
14	1751297	9001 625	Bearings	4
13	1752714	4200 073	Support Plate	1
12	1751272	2601 107	Reinforcement Plate, Inner	1
11	1752713	2205 513	Cutter Gear Washer	1
10	1751282	9002 513	Torx Head Screw (T-30)	1
9	1751283	2601 087	Gear Assembly With Buffer And Clutch	1
8	1751275	2601 099	Pin	1
7	1751223	2601 042	Washer	1
6	1751282	9002 513	Torx Head Screw (T-30)	1
5	1751288	2601 103	R.H Side Plate	1
4	1751284	2601 062	Double Drive Gear	1
3	1751274	2601 059	Cutter Gear Set	1
2	1751269	2601 100	Gear Box Housing	1
1		9002 509	Motor & Fan	1
<b>ITEM</b>	<b>PRT NO.</b>	<b>REF. NO.</b>	<b>DESCRIPTION</b>	<b>230V</b>

**Section 8.0 4270X Parts List**  
**Exploded View**  
**Figure 8.6**



**Section 8.0 4270X Parts List**  
**Exploded View Parts List**  
**Figure 8.6**

				<b>QTY</b>
16	1751296	9002 500	Wavy Washer	2
15	1751297	9002 045	Bearing	1
14	1752719	2601 520	Inside Stripper, Short	155
X		2601 528	Stripper, Filler (Not Shown)	155
13	1751325	4200 040	Stripper Support Rod	1
12	1751325	4200 040	Stripper Support Rod	1
11	1751304	9001 583	Key	2
10	1751306	2601 106	Reinforcement Plate, Outer	1
9	1751305	9001 584	Key	2
8	1751325	4200 040	Stripper Support Rod	1
7	1751325	4200 040	Stripper Support Rod	1
6		4200 550	Cutter Set, 2x 15mm	1
5	1752719	2601 520	Stripper	x
4	1751298	2601 006	Retainer	2
3	1751297	9002 045	Bearing	1
2	1751296	9002 500	Wavy Washer	2
1	1751295	2601 021	Mounting Bracket	1
<b>ITEM</b>	<b>PRT NO.</b>	<b>REF. NO.</b>	<b>DESCRIPTION</b>	<b>230V</b>

### 9.0 4270X \*Recommended Spare Parts

			QTY
	9002 509	Motor & Fan	1
1752147	4200 230	Control Board Assy	2
1752127	9003 742	Cable For Photo Cell	1
	9003 924	Cable For Photo Cell	1
1751297	9001 625	Bearings	4
1751283	2601 087	Gear Assembly With Buffer And Clutch	2
1751284	2601 062	Double Drive Gear	2
1751282	9002 513	Torx Head Screw (T-30)	2
1751274	2601 059	Cutter Gear Set	1
<b>PRT NO.</b>	<b>REF. NO.</b>	<b>DESCRIPTION</b>	<b>230V</b>

*\*Based On One Hundred Machines*