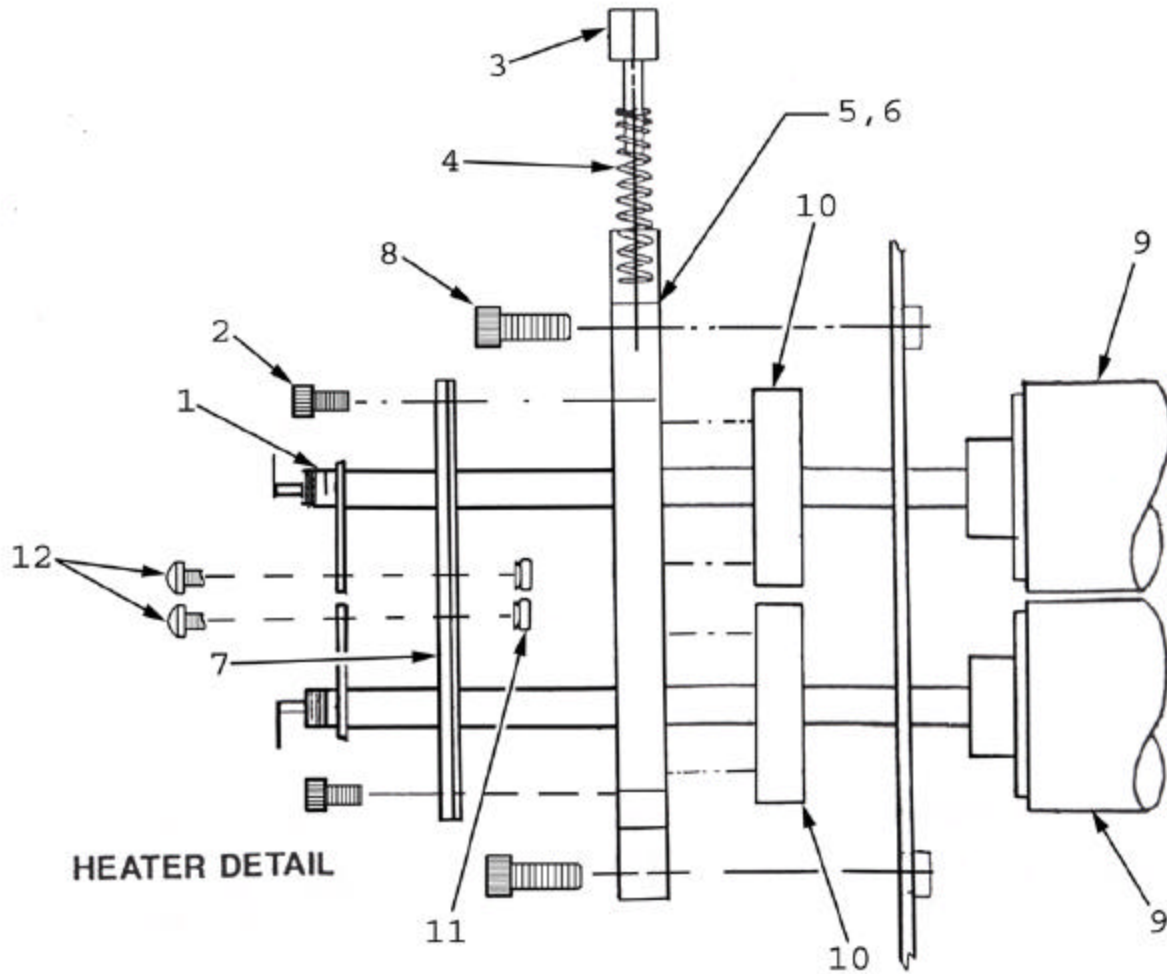




4250 PARTS LIST

GBC IS AN ACCO BRANDS COMPANY

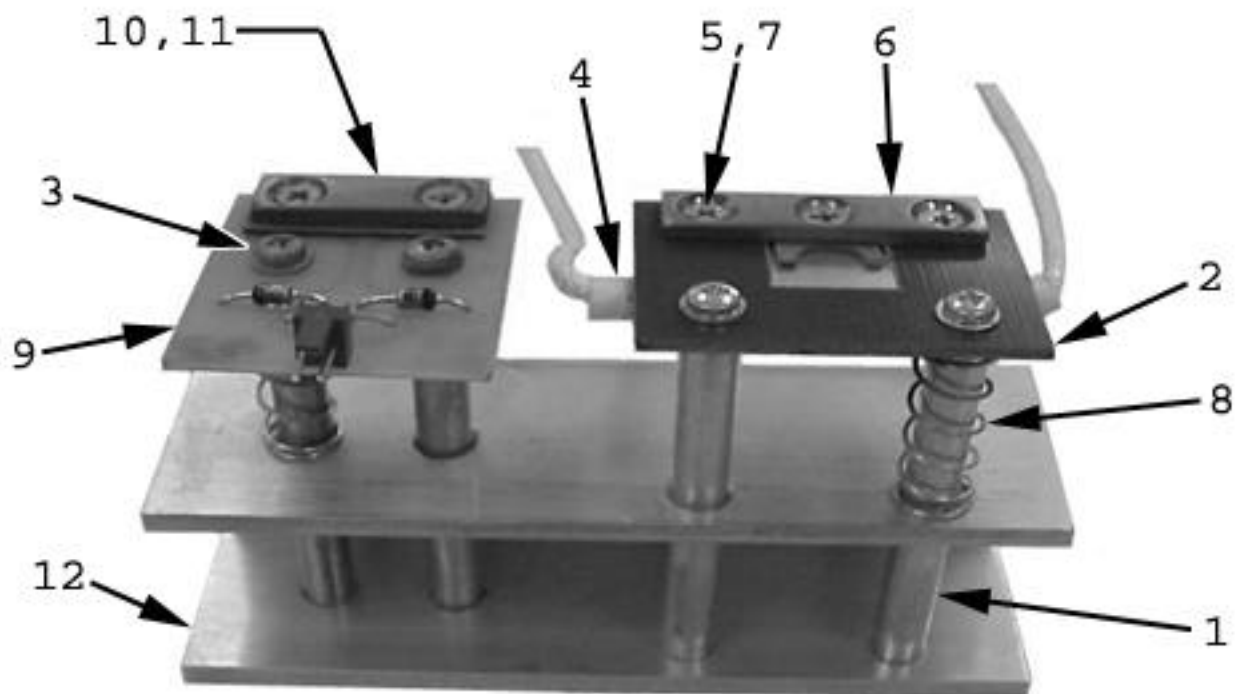




HEATER DETAIL

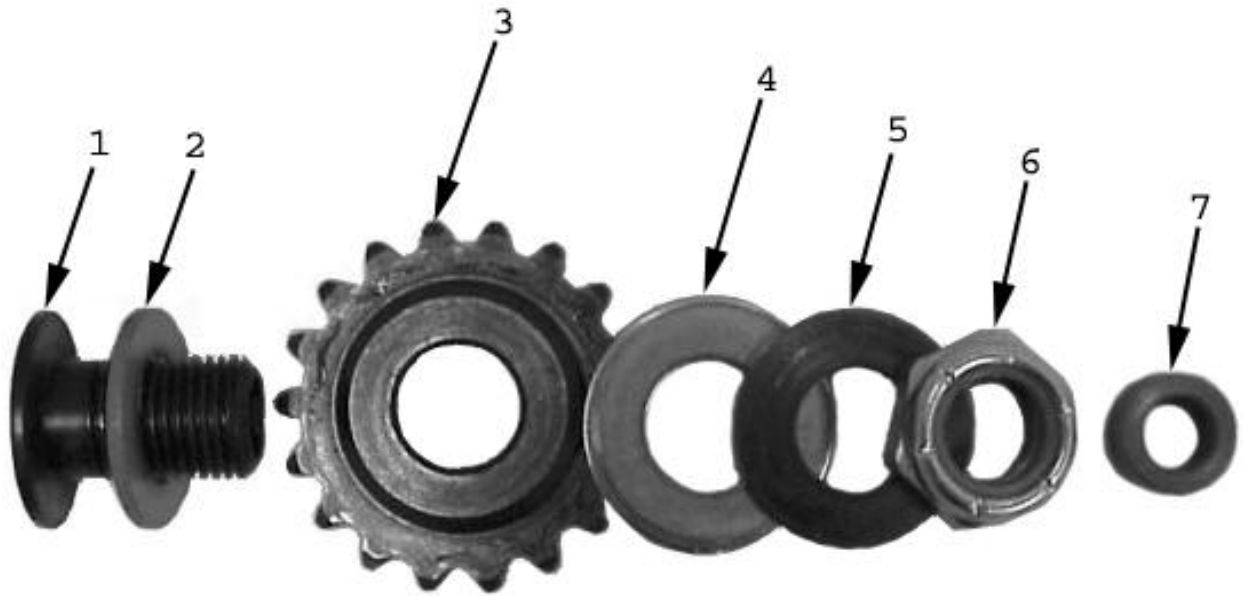
HEATER DETAIL

ITEM	PART#	DESCRIPTION	QUANTITY	
			115V	230V
1	1154355	HEATER ROD, 125V	2	0
1	1154068	HEATER ROD, 230V	0	2
2	1900502	SCREW, 10-32 X 3/18	4	4
3	1154198	PLUNGER	2	2
4	1154110	SPRING	2	2
5	1154161	BEARING BLOCK, LEFT	1	1
6	1154162	BEARING BLOCK, RIGHT	1	1
7	1154128	MOUNTING PLATE	2	2
8	1900512	SCREW, 1/4-20 X 1/2	2	2
9	6210033	HEATER TUBE ASSY.	2	2
10	1154151	BALL BEARING	4	4
11	1929006	NUT, 8-32	4	4
12	1902825	SCREW, 8-32 X 3/16	2	2



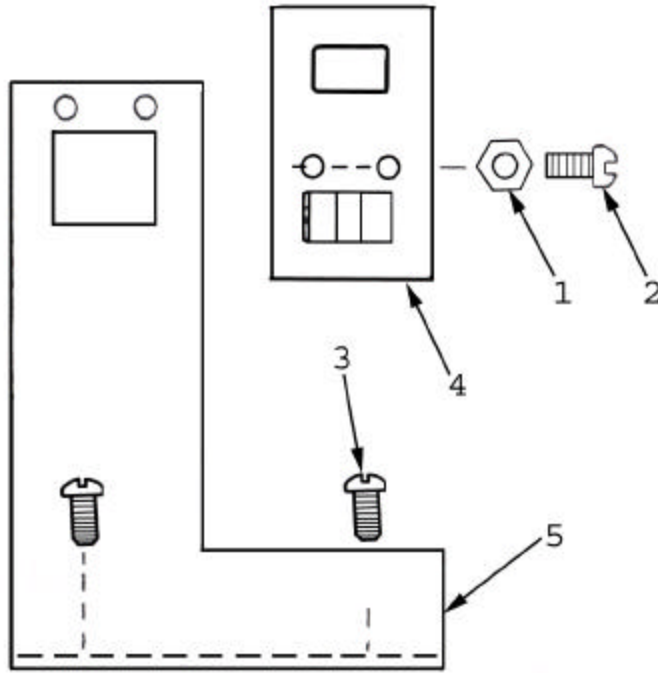
HEAT SENSOR AND THERMAL CUT-OUT ASSEMBLY

ITEM	PART #	DESCRIPTION	QUANTITY	
			115V	230V
1	1154036	HEAT SENSOR POST	4	4
2	1154190	MOUNTING BOARD, TCO	1	1
3	1911126	SCREW, 4-40 X ¼	4	4
4	1818610	THERMAL CUT OFF	1	1
5	1902608	SCREW, 6-32 X 5/16	4	4
6	1154189	BRASS CONTACTOR, TCO	1	1
7	1926804	KEPS NUT, 4-40	4	4
8	1154312	SPRING	4	4
9	1154346	HEAT SENSOR BOARD ASSY.	1	1
10	1154037	BRASS CONTACTOR, HEAT SENSOR	1	1
11	1154069	INSULATOR, HEAT CONTACTOR	1	1
12	1154188	BRACKET, SENSOR SUPPORT	1	1



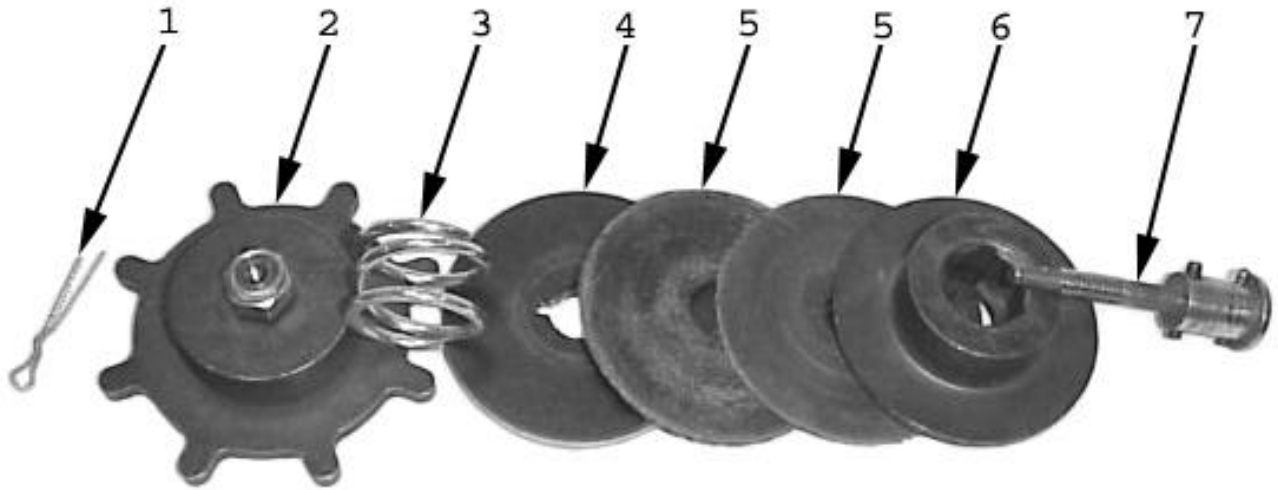
MOTOR CLUTCH
ASSEMBLY P/N 6160021

ITEM	PART#	DESCRIPTION	QUANTITY	
			115V	230V
1	1106168	CLUTCH	1	1
2	1106172	FRICION DISC	1	1
3	1154065	DRIVE SPROCKET 48T	1	1
4	1925126	WASHER	1	1
5	1925702	WASHER	1	1
6	1927404	NUT	1	1
7	1952217	SPACER BEARING	1	1



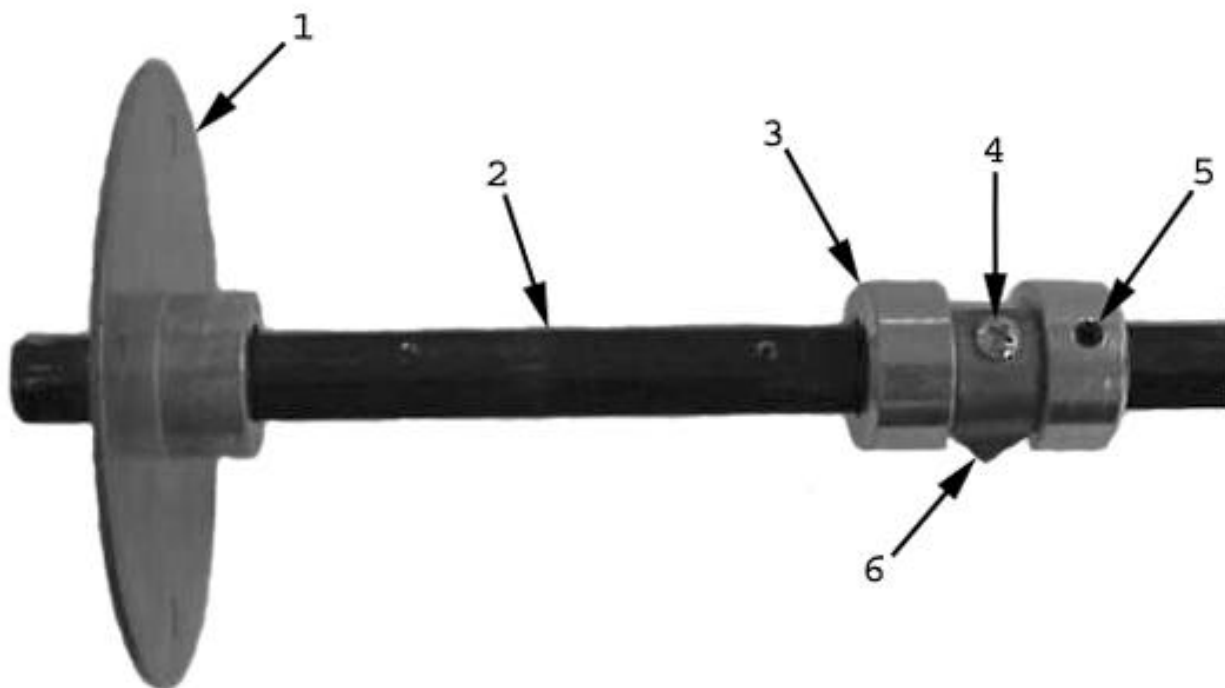
MOTOR SENSOR ASSEMBLY

ITEM	PART#	DESCRIPTION	QUANTITY	
			115V	230V
1	1926804	KEPS NUT, 4-40 X 3/8	2	2
2	1902842	SCREW, 4-40 X 3/8	2	2
3	1902803	SCREW, 6-32 X 1/4	2	2
4	1146879	OPTICAL SENSOR BOARD	1	1
5	1154086	OPTICAL SENSOR BRACKET	1	1



BRAKE ASSEMBLY

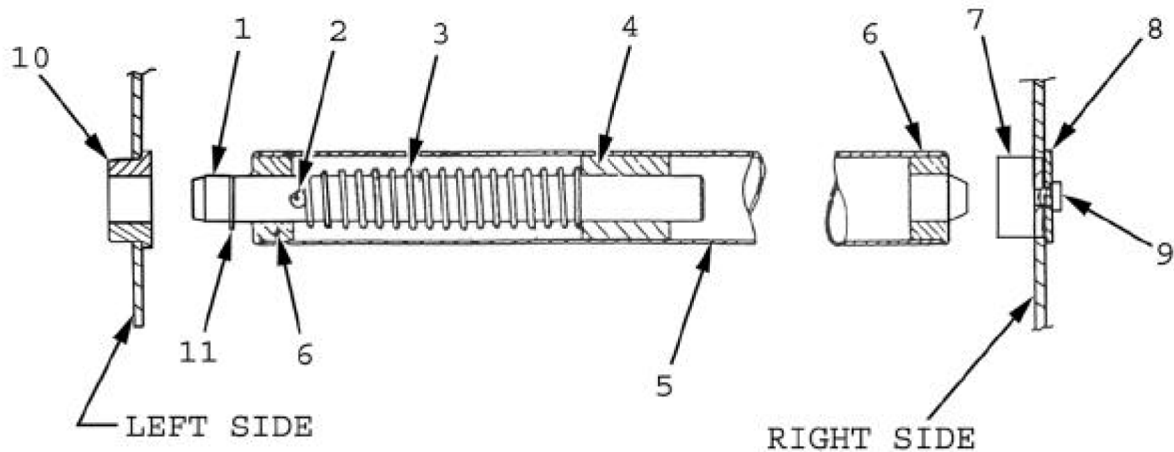
ITEM	PART #	DESCRIPTION	QUANTITY	
			115V	230V
1	1930205	COTTER PIN	1	1
2	1164233	BRAKE TENSION WHEEL, W/NUT	1	1
3	1154393	BRAKE SPRING	1	1
4	1164234	BRAKE DISC ASSEMBLY	1	1
5	1102181	BRAKE FRICTION DISC	2	2
6	1154395	BRAKE DISC SHAFT SOCKET	1	1
7	1154396	BRAKE SPINDLE ASSEMBLY	1	1



FILM SUPPLY SHAFT ASSEMBLY

ITEM	PART	DESCRIPTION	QUANTITY	
			115V	230V
1	1131137	SUPPLY ROLL DISC	2	2
2	1154397	ROLL CARRIER BAR	2	2
3	1154047	SUPPLY ROLL SUPPORT	4	4
4	1903041	SCREW, 6-32 X 1/8	4	4
5	1900004	SET SCREW, 10-32 X 1/4	4	4
6	1154045	COPPER CLIP	4	4

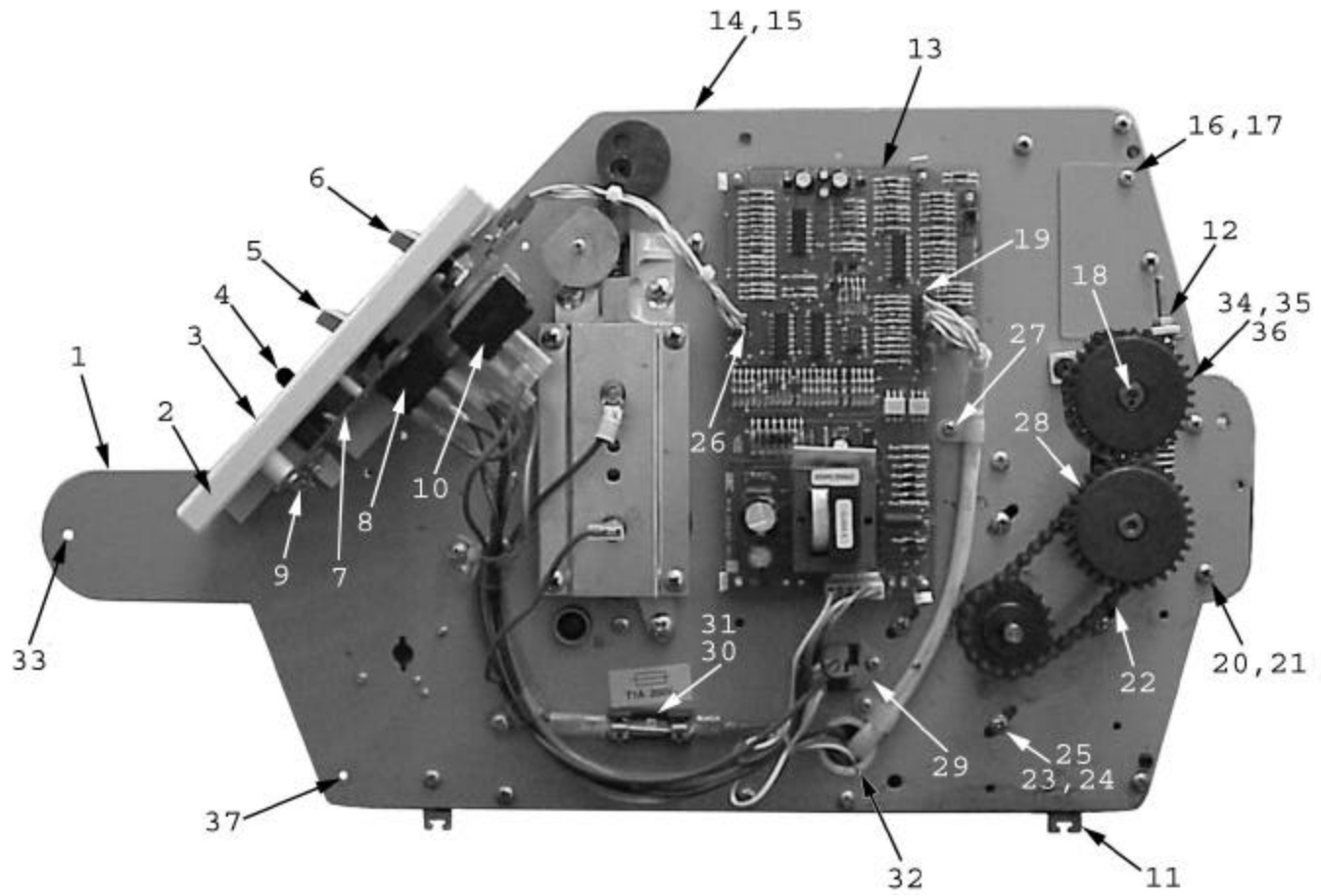
SUPPLY ROLL SUPPORT ASSY. PN# 6160018
 "INCLUDES NUMBER 3 THRU 6"



FILM GUIDE ASSEMBLY BOTTOM - 1164043

ITEM	PART #	DESCRIPTION	QUANTITY	
			115 V	230 V
1	1154145	FILM GUIDE SHAFT,BOTTOM	1	1
2	1929234	ROLLED PIN	1	1
3	1154359	SPRING	1	1
4	1154148	SLEEVE BEARING	1	1
5	1154303	FILM GUIDE TUBE, BOTTOM	1	1
6	1108054	FILM GUIDE BEARING	4	4
7	1154104	PIVOT – BOTTOM FILM GUIDE	1	1
8	1925103	WASHER	1	1
9	1911103	SCREW, 10-32 X 3/18	4	4
10	1952015	BEARING	1	1
11	1930522	E- CLIP	1	1

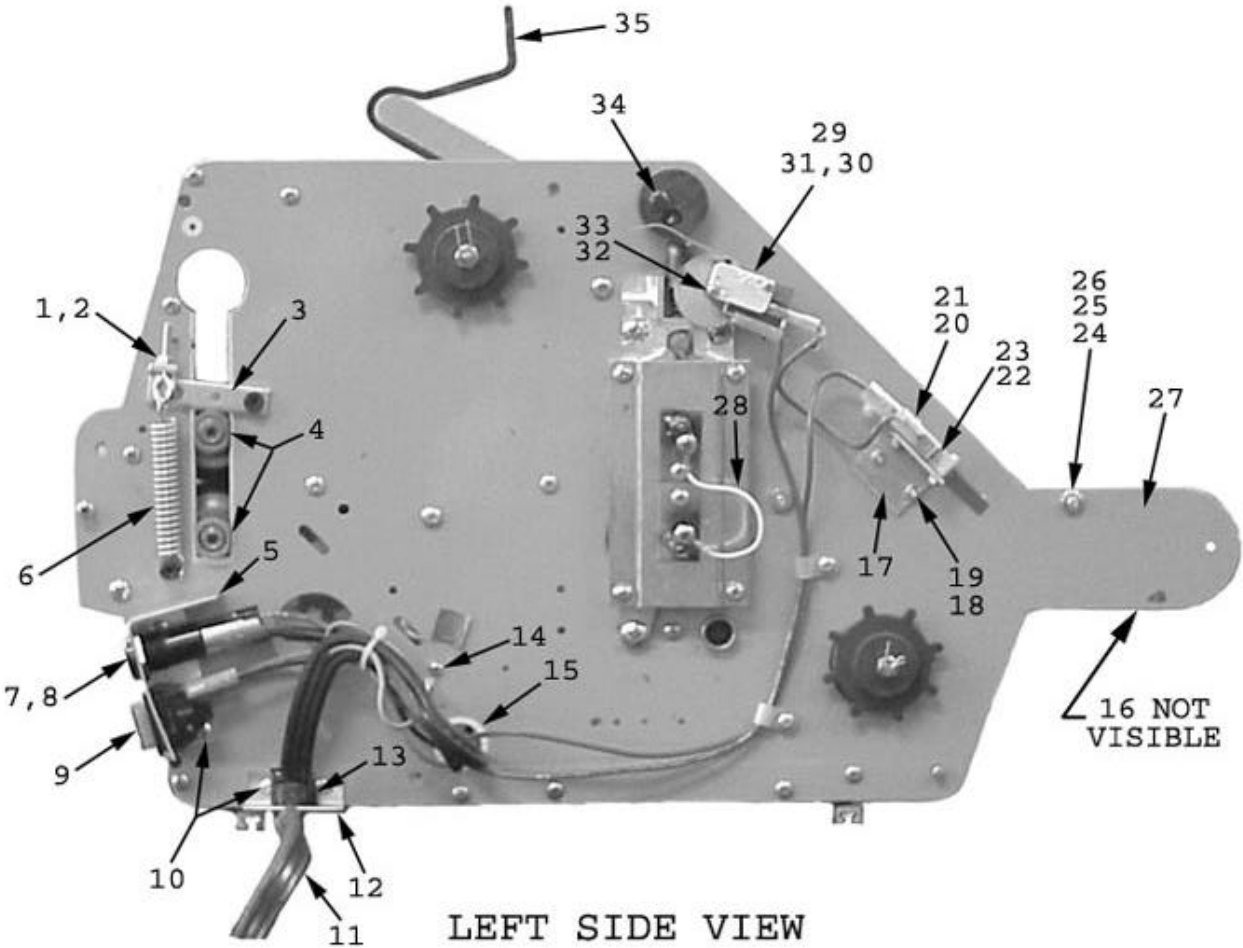
RIGHT SIDE VIEW



RIGHT SIDE VIEW

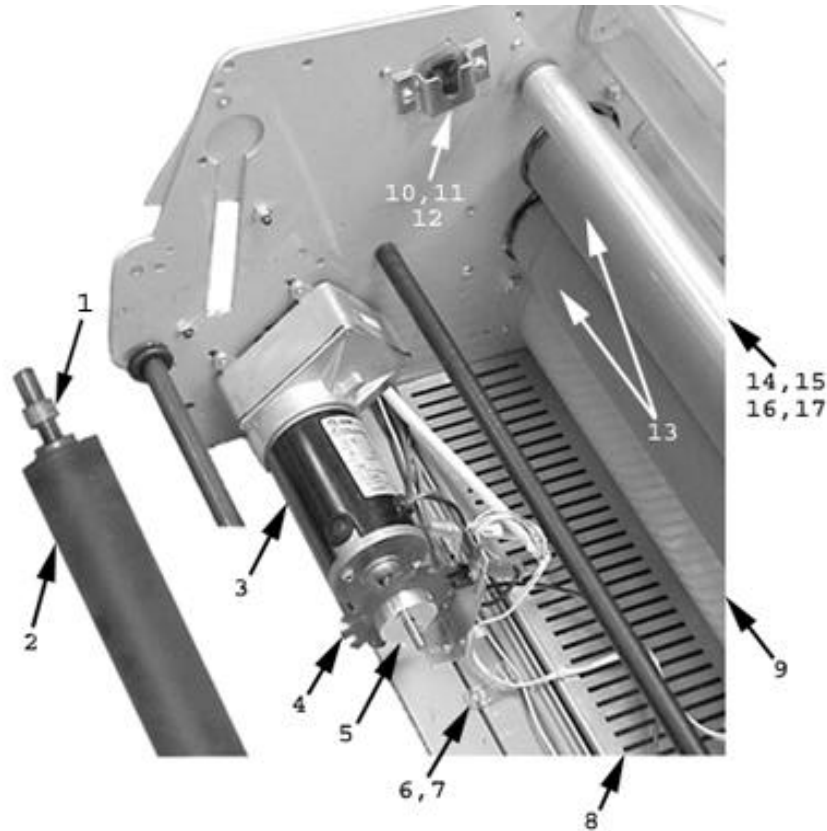
ITEM	PART#	DESCRIPTION	QUANTITY	
			115V	230V
1.	6210002	SIDE PLATE ASSY. RIGHT	1	1
2.	1154091	BEZEL	1	1
3.	1154092	LOGO	1	1
4.	1154103	SPEED CONTROL KNOB	1	1
5.	1154101	MOTOR RUN KNOB	1	1
6.	1154160	POWER SWITCH KNOB	1	1
7.	1154199	CONTROL PANEL BOARD	1	1
8.	1154087	MODE SELECT SWITCH RUN	1	1
9.	1914604	CLINCHING STUD	1	1
10.	1154088	POWER SWITCH	1	1
11.	1107289	RUBBER FOOT	4	4
12.	1102277	LEVER RIGHT	1	1
13.	1154347	MAIN CONTROL BOARD	1	1
14.	1154058	RIGHT SIDE COVER	1	1
15.	1154157	SPEED SETTING LABEL	1	1
16.	1154323	METAL SHIELD	1	1
17.	1907821	SCREW, 6-32 X 3/16	2	2
18.	1154082	PULL ROLLER	2	2
19.	1154158	HARNESS	1	1
20.	1924808	SPACER	2	2
21.	1902842	SCREW, 4-40 X 3/38	2	2
22.	1154066	CHAIN, ¼ PITCH	1	1
23.	1902820	SCREW, 10-32 X ½	4	4
24.	1925002	# 10 FLAT WASHER	4	4
25.	1925901	# 10 LOCK WASHER	4	4
26.	1154159	HARNESS SPEED CONTROL	1	1
27.	1931007	CABLE CLAMP	4	4
27. continued	1907805	SCREW 6-32 X ¼	2	2
28.	1154143	SPROCKET GEAR, BOTTOM	1	1
29.	1152315	TRIAC	1	1
30.	1140021	FUSE HOLDER	1	1
31.	1103554	FUSE, 1.25 AMP	1	1
32.	1953605	NYLON LINER	1	1
33.	1902610	SCREW COVER	1	1
34.	1154102	SPUR, GEAR TOP	1	1
35.	1900004	SET SCREW, 10-32 X ¼	1	1
36.	1102218	PULL ROLLER BEARING	2	2
37.	1907806	SCREW, COVER	3	3

1154059 Left Side Cover



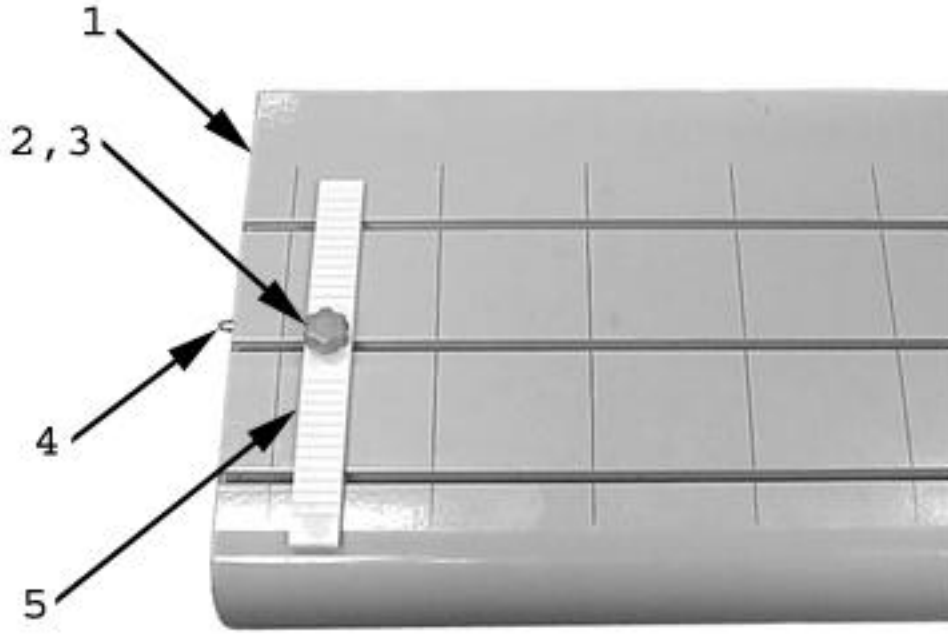
LEFT SIDE VIEW

ITEM	PART#	DESCRIPTION	QUANTITY	
			115V	230V
1	1926802	KEPS NUT, 8-32	4	4
2	1953801	EYE BOLT, 8-32	2	2
3	1102276	LEVER, LEFT	2	2
4	1102218	BEARING, PULL ROLLER	4	4
5	1154015	MOUNTING BRACKET	1	1
6	1102275	SPRING	2	2
7	6160013	FUSE HOLDER, 115V	1	-
7	6160014	FUSE HOLDER, 230V	-	1
8	1104289	FUSE, 15 AMP	1	-
8	1970106	FUSE, 8 AMP	-	1
9	1154304	REVERSE SWITCH	1	1
10	1907813	SCREW, 8-32 X ¼	4	4
11	1122038	POWER CORD 115V	1	-
11	1119138	POWER CORD 230V	-	1
12	1154014	POWER CORD BRACKET	1	-
12	1154193	POWER CORD BRACKET	-	1
13	1952706	STRAIN RELIEF 115V	1	-
13	1952705	STRAIN RELIEF 230V	-	2
14	1907805	SCREW 6-32 X ¼	2	2
15	1953605	NYLON LINER BEARING	2	2
16	1154164	THREADING DIAGRAM	1	1
17	1152625	SWITCH BRACKET	1	1
18	1926804	KEPS NUT, 4-40	4	4
19	1902608	SCREW, 4-4- X 5/16	2	2
20	1902834	SCREW, 4-40 X 5/8	3	3
21	1926804	KEPS NUT, 4-40	4	4
22	1122005	INSULATOR	2	2
23	6202050	SWITCH	2	2
24	1927202	LOCK NUT, 10-32	4	4
25	1902908	SCREW, 10-32 X 7/8	4	4
26	1122032	TABLE SUPPORT	4	4
27	6210001	LEFT SIDE PLATE	1	1
28	1957087	LEAD & TERMINAL ASSY.	1	1
29	1924806	SPACER	1	1
30	1122005	INSULATOR	2	2
31	6202050	SWITCH	2	2
32	1902834	SCREW, 4-40 X 5/8	3	3
33	1924807	SPACER, 5/8 X ½	2	2
34	1954107	DOWEL PIN	1	1
35	1154044	SAFTEY SHIELD	1	1



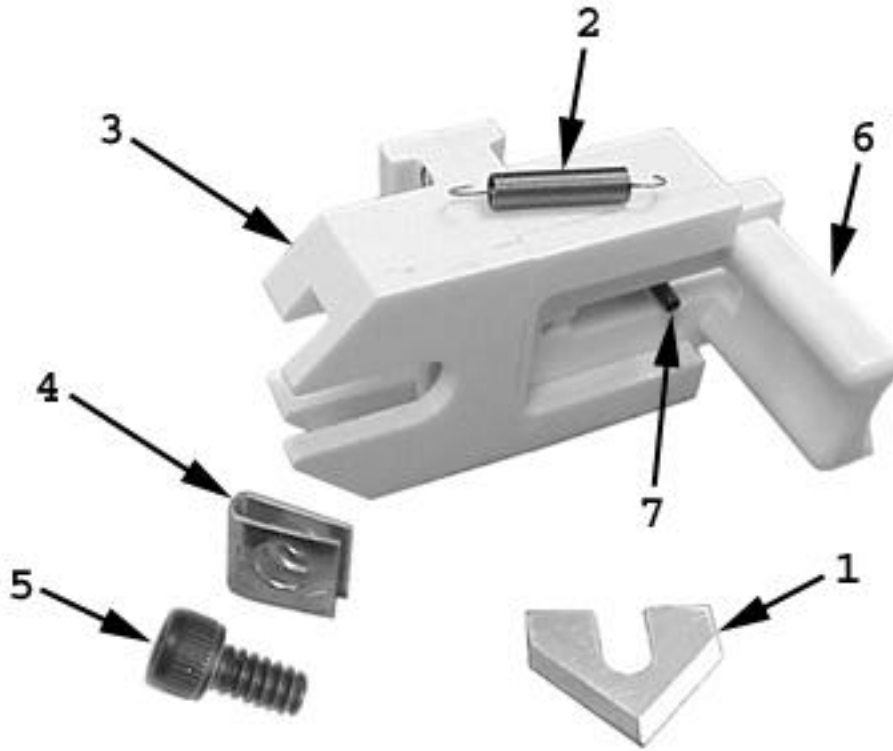
RIGHT INSIDE VIEW

ITEM	PART#	DESCRIPTION	QUANTITY	
			115V	230V
1	1102218	BEARING, PULL ROLLER	2	2
2	1154082	PULL ROLLER	2	2
3	1154067	MOTOR	1	1
4	1152230	VELOCITY DISK	1	1
5	1154084	DISC MOUNTING HUB	1	1
6	1902803	SCREW, 6-32 X ¼	8	8
7	1931007	CABLE CLAMP	4	4
8	6210030	BOTTOM SCREEN	1	1
9	1154134	FRONT BASE PLATE	1	1
10	1102288	SHAFT SPRING	2	2
11	1907810	SCREW, 8-32 X 3/8	4	4
12	6210021	BRACKET, CARRIER ROD	2	2
13	6210033	HEATER TUBE "ROLLER"	2	2
14	1911103	SCREW, 10-32 X ½	3	3
15	1109343	FILM GUIDE TUBE	1	1
16	1108054	FILM GUIDE BEARING	2	2
17	1109342	FILM GUIDE SHAFT	1	1



FEED TABLE AND SPRING LATCH

ITEM	PART#	DESCRIPTION	QUANTITY	
			115V	230V
1	1154118	FEED TRAY TABLE	1	1
2	1154025	KNOB, GUIDE TRAY	1	1
3	1106163	SCREW, KNOB	1	1
4	1152638	SPRING LATCH FOR FEED TRAY	1	1
5	1154024	EDGE GUIDE FOR FEED TRAY	1	1



CUT OFF BLADE ASSEMBLY
PN# 6160019

ITEM	PART #	DESCRIPTION	QUANTITY	
			115V	230V
1	1154019	SLITTER BLADE	1	1
2	1154018	EXTENSION SPRING	1	1
3	1154138	SLITTER HOUSING	1	1
4	1931323	V FASTENER	1	1
5	1900532	CAP SCREW	1	1
6	1154139	BLADE HOLDER	1	1
7	1929221	ROLL PIN	1	1