



412LM/413LM 418LM/419LM PARTS LIST



GBC IS AN ACCO BRANDS COMPANY

418LM PARTS LIST

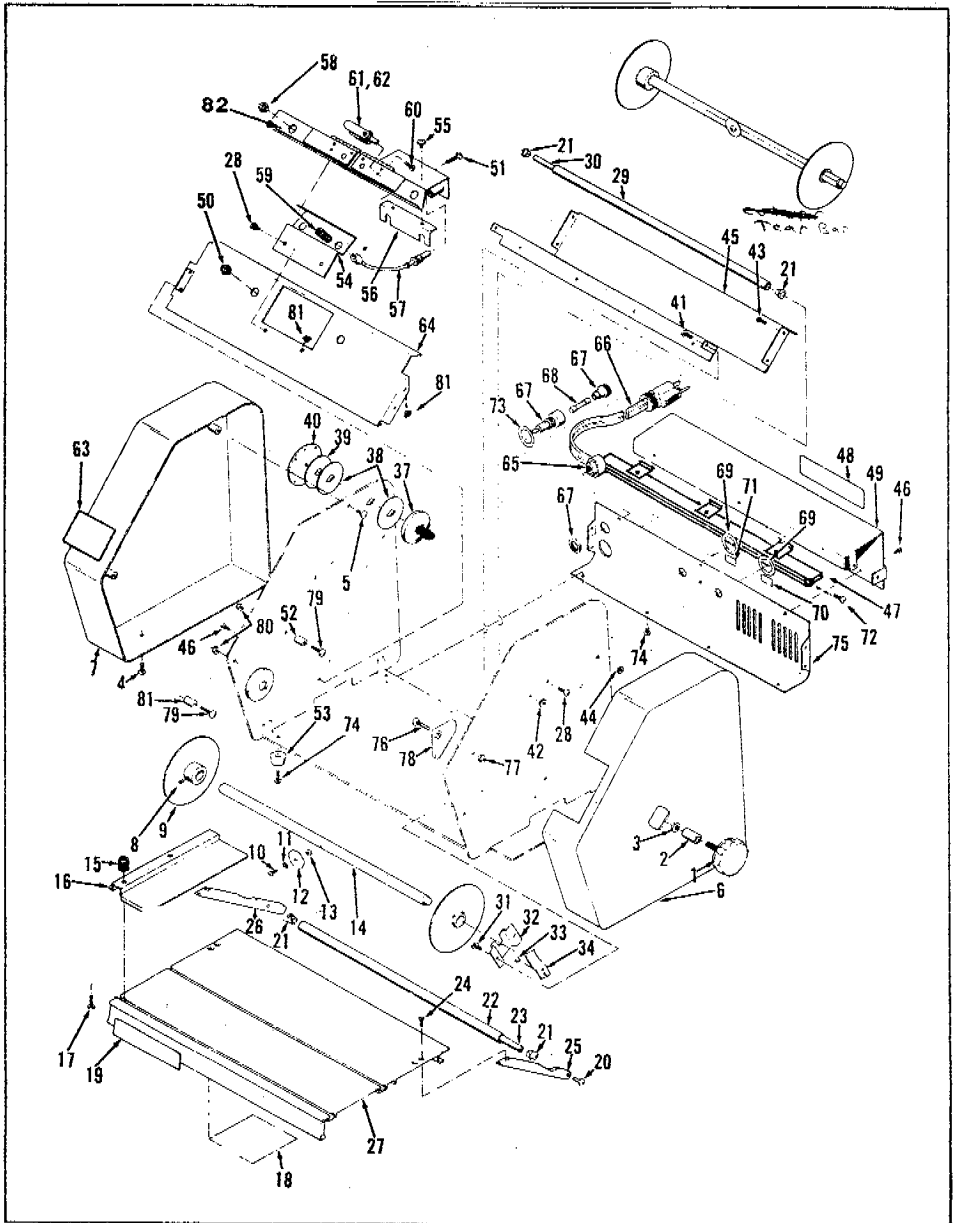


FIGURE 1 PARTS LIST

INDEX NO.	PART NO.	PART NAME	QUANTITY			
			412	413	418	419
1	1107407	KNOB.	1	1	1	1
2	1107408	SLEEVE.	1	1	1	1
3	1926604	NUT, #5/16-18	1	1	1	1
4	1903003	SCREW, #8-32 X 3/8" LONG.	4	4	4	4
5	1903022	SCREW, #6-32 X 3/8" LONG.	4	4	4	4
6	1156019	COVER, RIGHT HAND	1	1	1	1
7	1156020	COVER, LEFT HAND.	1	1	1	1
8	1900084	SCREW, #8-32 X 3/16" LONG	2	2	2	2
9	1131137	SUPPLY ROLL DISC ASSY.	4	4	4	4
10	1901304	SCREW, #6-32 X 5/16" LONG	2	2	2	2
11	1925802	LOCKWASHER, #6.	2	2	2	2
12	1102346	CLIP, CORE MOUNTING	2	2	2	2
13	1925007	WASHER, #6.	2	2	2	2
14	1103626	ROD, ROLL CARRIER	2	2		
	1104274	ROD, ROLL CARRIER			2	2
15	1106164	KNOB.	2	2	2	2
16	1128642	SIDE GUIDE.	1	1	1	1
17	1106163	SCREW, KNOB	2	2	2	2
18	1106160	LABEL, THREADING DIAGRAM.	1	1	1	1
19	1122018	LABEL, LOGO	1	1		
	1122039	LABEL, LOGO			1	1
20	1902624	SCREW, #8-32 X 5/8" LONG.	2	2	2	2
21	1103516	BEARING, FILM GUIDE SHAFT	4	4	4	4
22	1128514	TUBE, FILM GUIDE TABLE.	1	1		
	1122013	TUBE, FILM GUIDE TABLE.			1	1
23	1128515	SHAFT, FILM GUIDE TABLE	1	1		
	1122012	SHAFT, FILM GUIDE TABLE			1	1
24	1902606	SCREW, #6-32 X 3/8" LONG.	4	4	4	4
25	1122035	BRACKET, RIGHT SIDE FILM GUIDE.	1	1	1	1
26	1122036	BRACKET, LEFT SIDE FILM GUIDE	1	1	1	1
27	1128513	FEED TABLE, FINISHED.	1	1		
	1122017	FEED TABLE, FINISHED.			1	1
28	1911106	SCREW, #8-32 X 3/8" LONG.	8	8	8	8
29	1103515	TUBE, FILM GUIDE.	1	1		
	1103513	TUBE, FILM GUIDE.			1	1
30	1103514	SHAFT, FILM GUIDE	1	1		
	1103512	SHAFT, FILM GUIDE			1	1
31	1911105	SCREW, #8-32 X 1/4" LONG.	4	4	4	4
32	1102230	BRACKET, ROLL CARRIER ROD	2	2	2	2
33	1929703	RIVET, 1/8"	4	4	4	4
34	1102288	SPRING, SHAFT	2	2	2	2
37	1133118	BRAKE AND SPINDLE ASSEMBLY USE 1134343 + 115440	2	2	2	2
38	1102181	DISC, BRAKE FRICTION.	4	4	4	4
39	1102187	DISC, BRAKE	2	2	2	2
40	1122009	ADJUSTMENT DISC ASSY.	2	2	2	2
41	1902805	SCREW, #10-32 X 3/8" LONG	2	2	2	2
42	1926803	NUT, #10-32	2	2	2	2
43	1902804	SCREW, #8-32 X 3/8" LONG.	4	4	4	4

INDEX NO.

PART NO.

FIGURE 1 PARTS LIST

QUANTITY
412 413 418 419

INDEX NO.	PART NO.	PART NAME	412	413	418	419
44	1926802	NUT, #8-32.	4	4	4	4
45	*1156011	PANEL ASSY., CUT-OFF.	1	1		
	1156018	PANEL ASSY., CUT-OFF.			1	1
46	1905303	SCREW, #8 X 1/2" LONG	16	16	16	16
47	1131093	FILM HOLD-DOWN ASSY..	1	1		
	1131094	FILM HOLD-DOWN ASSY..			1	1
48	1128639	LABEL, CAUTION.	1	1	1	1
49	1122044	PANEL, LOWER REAR COVER	1	1		
	1122021	PANEL, LOWER REAR COVER			1	1
50	1114675	BUSHING	2	2	2	2
51	1911103	SCREW, #10-32 X 1/2".	1	1	1	1
52	1122032	SUPPORT, TABLE.	4	4	4	4
53	1101533	FOOT, RUBBER.	4	4	4	4
54	1122028	BRACKET, THERMOSTAT	1	1	1	1
55	1911123	SCREW, #10-32 X 1/4" LONG	2	2	2	2
56	1122029	STOP, FLEXIBLE SHAFT.	1	1	1	1
57	1131713	SHAFT, FLEXIBLE	2	2	2	2
58	1114038	BUSHING	2	2	2	2
59	1122056	SPRING, THERMOSTAT.	2	2	2	2
60	1911111	SCREW, #8-32 X 1/2" LONG.	2	2	2	2
61	1122040	THERMOSTAT, HEAT CONTROL.	1	1	1	1
62	1122041	THERMOSTAT, READY LIGHT CONTROL	1	1	1	1
63	1128261	CAUTION LABEL	1		1	
64	1156008	MOTOR, SHIELD	1	1		
	1122020	MOTOR, SHIELD			1	1
65	1952704	STRAIN RELIEF, RIGHT ANGLE.	1		1	
	1128680	STRAIN RELIEF		1		1
66	1122038	CORD, POWER SUPPLY.	1		1	
	1119138	LINE CORD SET		1		1
67	1105849	HOLDER, FUSE.	1	1	1	1
68	1104289	FUSE, 250 V., 15 AMP.	1		1	
	1102211	FUSE, 8 AMP.		1		
	1108965	FUSE, 10 AMP.				1
69	1105893	LABEL, THERMOSTAT INSTRUCTION	2	2	2	2
70	1122092	LABEL, READY LIGHT CONTROL.	1	1	1	1
71	1122093	LABEL, HEAT CONTROL	1	1	1	1
72	1907806	SCREW, #8-32 X 3/4" LONG.	2	2	2	2
73	1105550	LABEL, ELECTRICAL IDENTIFICATION.	1		1	
	1105553	LABEL, ELECTRICAL IDENTIFICATION.		1		
	1128521	LABEL, ELECTRICAL IDENTIFICATION.				1
74	1911104	SCREW, #8-32 X 5/16" LONG	8	8	8	8
75	1122042	COVER, REAR BASE.	1			
	1156009	COVER, REAR BASE.		1		
	1156013	COVER, REAR BASE.			1	
	1156012	COVER, REAR BASE.				1
76	1927405	SCREW, #10-32 X 3/4" LONG	2	2	2	2
77	1927405	NUT, ELASTIC STOP, #10-32	2	2	2	2
78	1122034	LOCK, TABLE	2	2	2	2
79	1902908	SCREW, #10-32 X 7/8" LONG	4	4	4	4
80	1927202	NUT, #10-32	4	4	4	4
81	1931312	SPEED NUT, #8	6	6	6	6
82	1122055	THERMOSTAT BRACKET ASSEMBLY	1	1	1	1

This part includes only the fuel, not the rear blade. The rear blade part # 1103631

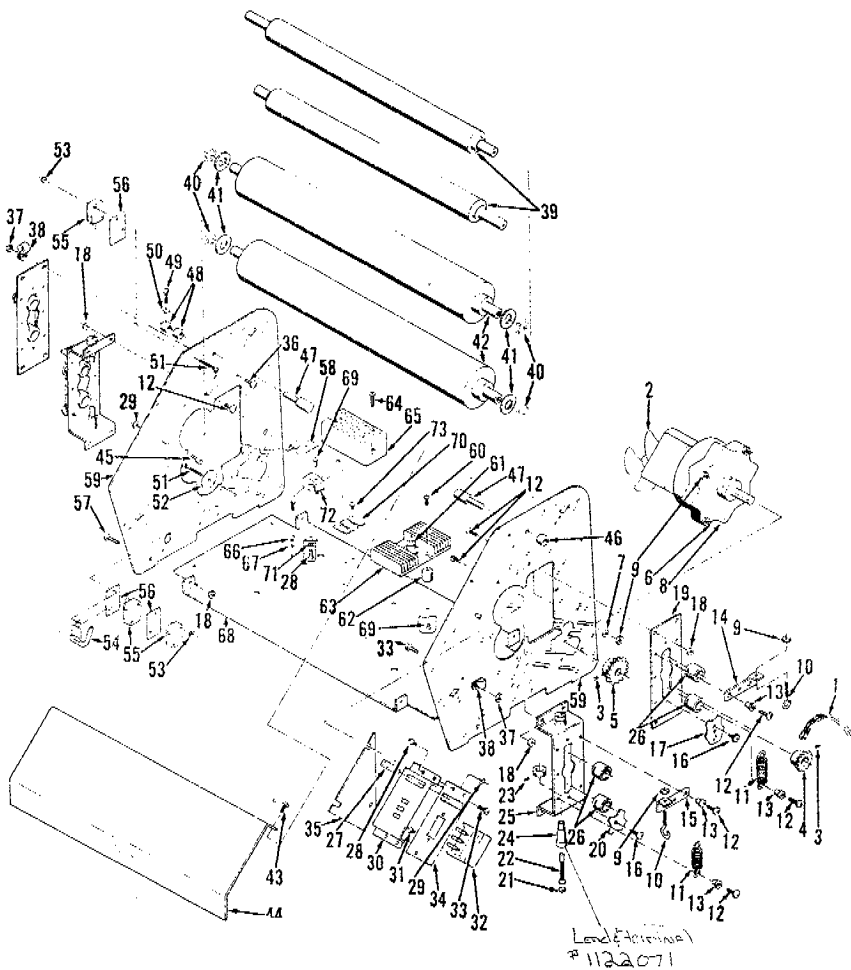


FIGURE 2

FIGURE 2

INDEX NO.	PART NO.	PART NAME	QUANTITY			
			412	413	418	419
1	1128697	CHAIN AND LINK ASSY #25 LINK	1	1	1	1
2	1103683	FAN	1	1	1	1
3	1900012	SCREW, #8-32 X 3/16" LONG	2	2	2	2
4	1104248	SPROCKET, MOTOR	1	1	1	1
5	1104263	SPROCKET, ROLLER	1	1	1	1
6	1911114	SCREW, #10-32 X 1/2" LONG	3	3	3	3
7	1925002	WASHER, #10	3	6	3	6
8	1103742	GEAR REDUCTION MOTOR W/FAN.	1		1	
	1128525	GEAR REDUCTION MOTOR.		1		1
9	1926802	NUT, #8-32.	10	10	10	10
10	1953801	EYEBOLT	4	4	4	4
11	1102275	SPRING, BEARING BRACKET	4	4	4	4
12	1902913	SCREW, #10-32 X 7/16" LONG.	16	16	16	16
13	1932401	PERMA-NUT, #10-32	8	8	8	8
14	1102276	LEVER, RIGHT HAND	2	2	2	2
15	1102277	LEVER, LEFT HAND	2	2	2	2
16	1911123	SCREW, #10-32 X 1/4" LONG	4	4	4	4
17	1122011	PLATE, GAP.	2	2	2	2
18	1926803	NUT, #10-32	12	12	12	12
19	1122016	PLATE, PULL ROLL BEARING.	2	2	2	2
20	1122010	PLATE, LOWER HEAT ROLL ADJUSTMENT	2	2	2	2
21	1102234	CAP, BRUSH HOLDER	4	4	4	4
22	1102231	BRUSH & SPRING ASSY.	4	4	4	4
23	1900008	SCREW, #6-32 X 1/8" LONG.	4	4	4	4
24	1102232	HOLDER, BRUSH	4	4	4	4
25	1122015	HEAT ROLL BEARING BRACKET ASSY.	2	2	2	2
26	1102218	BEARING	8	8	8	8
27	1105158	LIGHT, ON-READY	1		1	
	1128667	LIGHT, ON-READY		1		1
28	1902803	SCREW, #6-32 X 1/4" LONG.	4	1	4	1
29	1926801	NUT, #6-32.	4	4	4	4
30	1156021	PANEL, CONTROL.	1		1	
	1156030	PANEL ASSY., CONTROL.		1		1
31	1907801	SCREW, #6-32 X 3/8" LONG.	2		2	
32	1108169	SWITCH, CONTROL	1		1	
	1128741	SWITCH, CONTROL		1		1
33	1911105	SCREW, #8-32 X 1/4" LONG.	3	3	3	3
34	1102197	BRACKET, PANEL.	1		1	
35	1122091	INSULATION.	1	1	1	1
36	1914603	STUD.	2	2	2	2
37	1926701	NUT, #8-32.	1	1	1	1
38	1931001	CLAMP, CABLE.	4	4	4	4
39	1103638	PULL ROLL ASSY.	2	2		
	1104291	PULL ROLL ASSY.			2	2
40	1926504	SPRING WASHER, WAVY	4	4	4	4
41	1104287	WASHER, NON-METALLIC.	4	4	4	4
42	1103672	RESISTOR ROLL ASSY.	2	2		
	1103652	RESISTOR ROLL ASSY.			2	2
43	1903032	SCREW, #10-32 X 1/2" LONG	2	2	2	2
4	1131005	GEAR REDUCTION KIT FOR 3 MIL FILM				

FIGURE 2

INDEX NO.	PART NO.	PART NAME	QUANTITY			
			412	413	418	419
44	1122046	GUARD, CLEAR PLASTIC.	1	1		
	1122024	GUARD, CLEAR PLASTIC.			1	1
45	1101586	POST.	2	2	2	2
46	1931701	COLLAR.	1	1	1	1
47	1122033	PIVOT, GUARD.	2	2	2	2
48	1128645	COLLAR, SAFETY SWITCH ADJUSTMENT.	2	2	2	2
49	1902824	SCREW, #10-32 X 5/8".	1	1	1	1
50	1926702	NUT, #10-32	1	1	1	1
51	1902932	SCREW, #4-40 X 1-1/4" LONG.	4		4	
	1902840	SCREW, #4-40 X 3/4" LONG.		4		4
52	1925129	WASHER, FLAT #4	2	2	2	2
53	1926804	NUT, #4-40.	4	4	4	4
54	1131004	ACTUATOR.	2		2	
55	1128789	SWITCH, SAFETY.	4	2	4	2
56	1122005	INSULATION, SAFETY SWITCH	4	2	4	2
57	1911103	SCREW, #10-32 X 1/2" LONG	4	4	4	4
58	1119138	LINE CORD SET		1		1
59	1156016	PLATE, RIGHT & LEFT SIDE.	2	2	2	2
60	1911116	SCREW, #6-32 X 3/8" LONG.	2		2	
61	1104292	RECTIFIER	1		1	
62	1104293	INSULATOR, STAND-OFF.	2		2	
63	1104279	HEAT SINK	1		1	
64	1911110	SCREW, #6-32 X 5/8" LONG.	2	2	2	2
65	1107215	TERMINAL BLOCK.	1	1	1	1
66	1907813	SCREW, #8-32 X 1/4" LONG.	1	1	1	1
67	1925903	LOCKWASHER, #8.	1	1	1	1
68	1128519	PLATE, BASE	1	1		
	1122065	PLATE, BASE			1	1
69	1911115	SCREW, #6-32 X 5/16" LONG	2	1	2	1
70	1128734	FLEXIBLE TERMINAL BLOCK		1		1
71	1925802	LOCKWASHER, #6.		1		1
72	1128672	CABLE CLAMP		1		1
73	1902847	SCREW, #6-32 X 9/16" LONG		2		2

FIGURE 5. GBC Model 412-LM and 418-LM Electrical Wiring Diagram
 115 VAC, 60 Hz, Single Phase

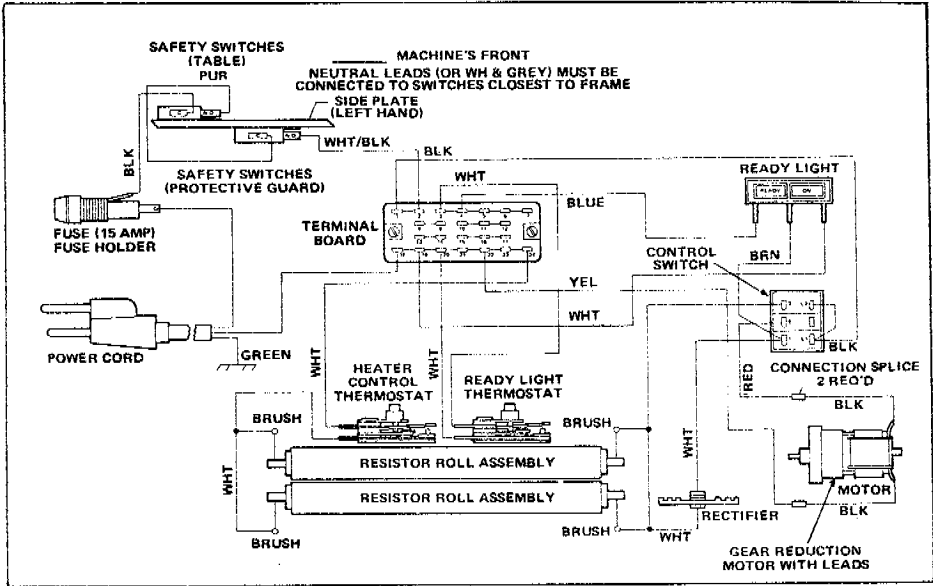


FIGURE 6. GBC Models 413-LM and 419-LM Electrical Wiring Diagrams
 230 VAC, 50 Hz, Single Phase

