



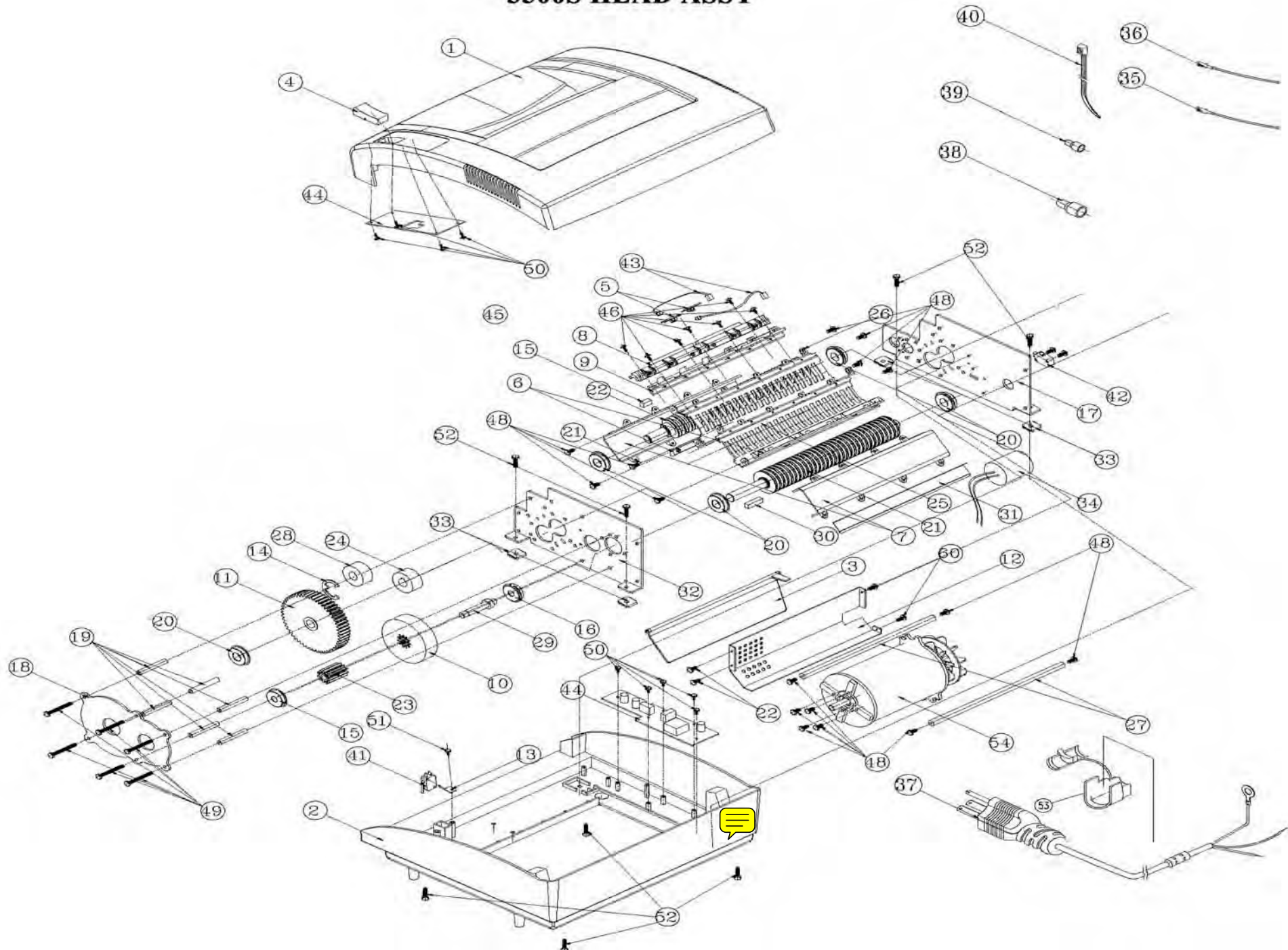
# 3500S PARTS LIST

Revised 04/18/06



GBC IS AN ACCO BRANDS COMPANY

# 3500S HEAD ASSY



# 3500S PARTS LIST



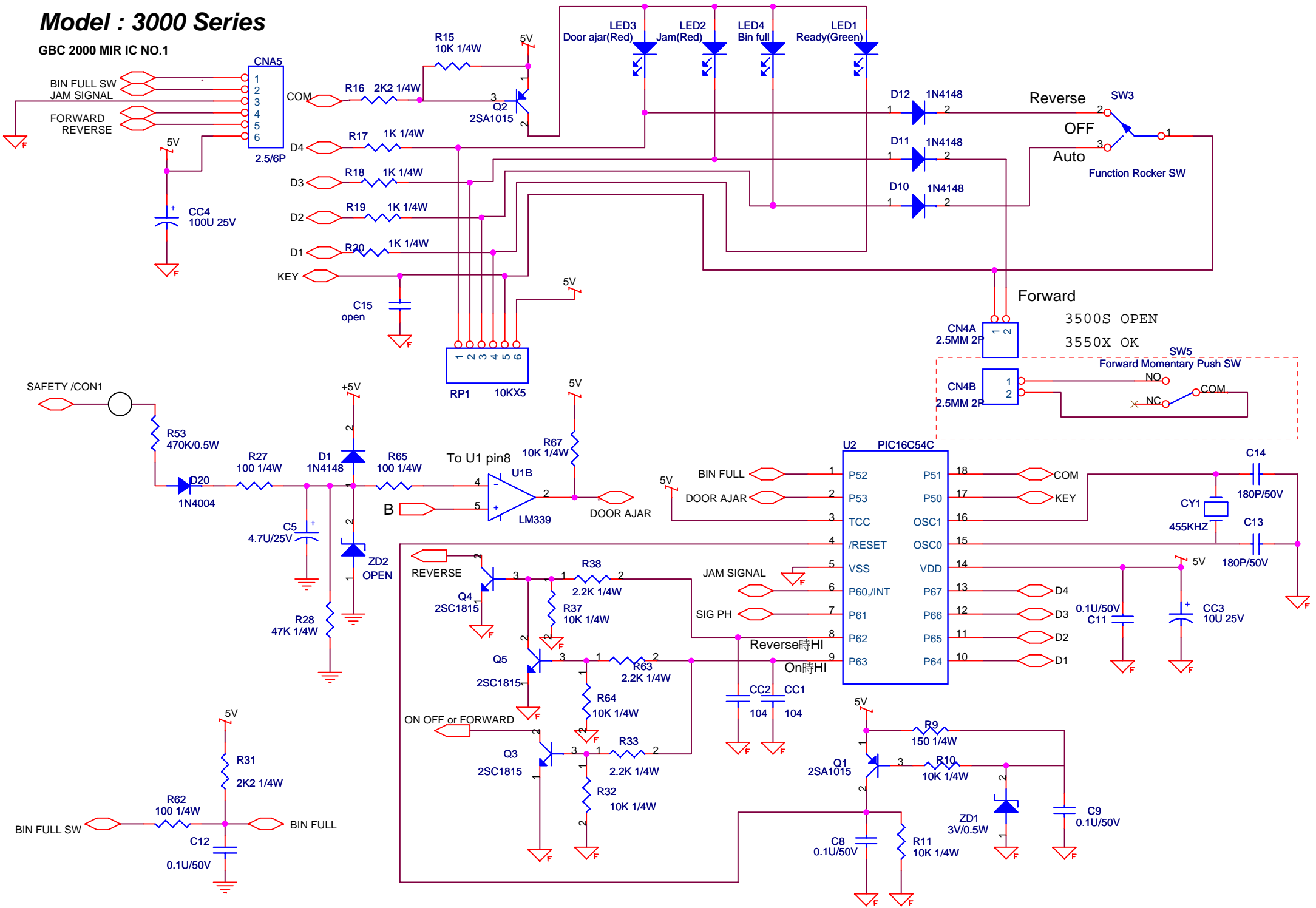
54	66000000190X	AC MOTOR 9450MM 115V	1	
53	690200007300	TUBE PLASTICS #4 L=20MM	1	
52	155300811110	B-T/SCREW MM M5 16MM	8	
51	152301239110	C-M/SCREW MM M3 12MM	3	
50	152300627110	SCREW-C-M/SCREW MM#3 6MM	13	
49	151505707110	SCREW	6	
48	151501031110	M/SCREW MM M5 10MM	16	
47	151401227110	M/SCREW MM M4 12MM	4	
46	151300621110	M/SCREW MM M3 6MM	29	
45	91020002903X	GBC 2250X POWER PCB ASS'Y	1	
44	91020002964X	GBC 2230 MIR IC ASS'Y	1	
43	91000012452X	GBC 2000 AUTO EYE ASS'Y	1	
42	91000011007X	GBC 2250S BIN FULL ASS'Y	1	
41	91000011006X	GBC 2250S SAFETY SW ASS'Y	1	
40	710100006100	CABLE TIE HW-045 L=120mm	7	
39	690300006400	CNT POWER	4	
38	690300005700	CNT POWER	3	
37	640100075000	CABLE POWER 3 PIN	1	
36	630152000434	LW UL1015 #20 240MM	1	
35	630152000433	LW UL1015 #20 250MM	1	
34	562406712020	TAN DIP CAP 40uF 250V	1	
33	18020000754X	2230S-2 RUBBER	4	
32	13043240010X	PLATE B(MOTOR)	1	
31	13042490010X	SMALL PLATE	1	
30	13042480010X	SLIDING KEY A	1	
29	13042470010X	GEAR A SHAFT	1	
28	13042430010X	GEAR C 19T	1	
27	13042410010X	10MM SUPPORT BOSS	2	
26	13047450010X	6MM PAPER-GUIDE B	1	
25	13047360010X	6MM PAPER-GUIDE A	1	
24	13042350010X	GEAR-B-1 19T	1	
23	13042340010X	GEAR-A-1 11T	1	
22	13047560010X	4MM KNIFE B	1	
21	13047500010X	6MM KNIFE A	1	
20	13042300010X	6002 BEARING	5	
19	13042290010X	SUPPER-BOSS	6	
18	13042280010X	PLATE C	1	
17	13042260010X	PLATE A	1	
16	13038130010X	BEARING 6200	2	
15	13038110010X	SLIDING KEY B	2	
14	13016500010X	#15 C-RING H-CARBON STEEL	1	
13	13007310010X	SWITCH FIXER	1	
12	13007270010X	MOTOR SHIELD	1	
11	10080720010X	GEAR B	1	
10	10080710010X	GEAR A	1	
09	10080700010X	PAPER-HOLDER-RIGHT	1	
08	10080690010X	PAPER-HOLDER-LEFT	1	
07	10080680010X	KNIFE COVER	2	
06	10080670010X	PAPER-GUIDE-HOLDER	2	
05	10080660010X	LCD HOLDER PC	2	
04	10006170010X	SWITCH CAP	1	
03	10006070010X	FLAP	1	
02	10006031010X	HOUSING BOTTOM	1	
01	10006020010X	HOUSING TOP	1	
ITEM	PART NO.	DESCRIPTION	Q'TY	REMARK

**3500S & 3550X Parts (Not shown)**

130026500100	#9 E RING
10081180010A	3550X TOP HOUSING MOD
1000602020010B	3500S TOP HOUSING MOD
101141900100	2260X PIN
101141800100	2260X BAR
130647800100	2260X SWITCH HOL SPHC
130655900100	2260X SPRING STAINLES
151301411110	M/SCREW MM M3 14MM NI
153371211110	SCREW M4*12 WASHER
911100008570	POWER ON/OFF SWITCH ASS'Y

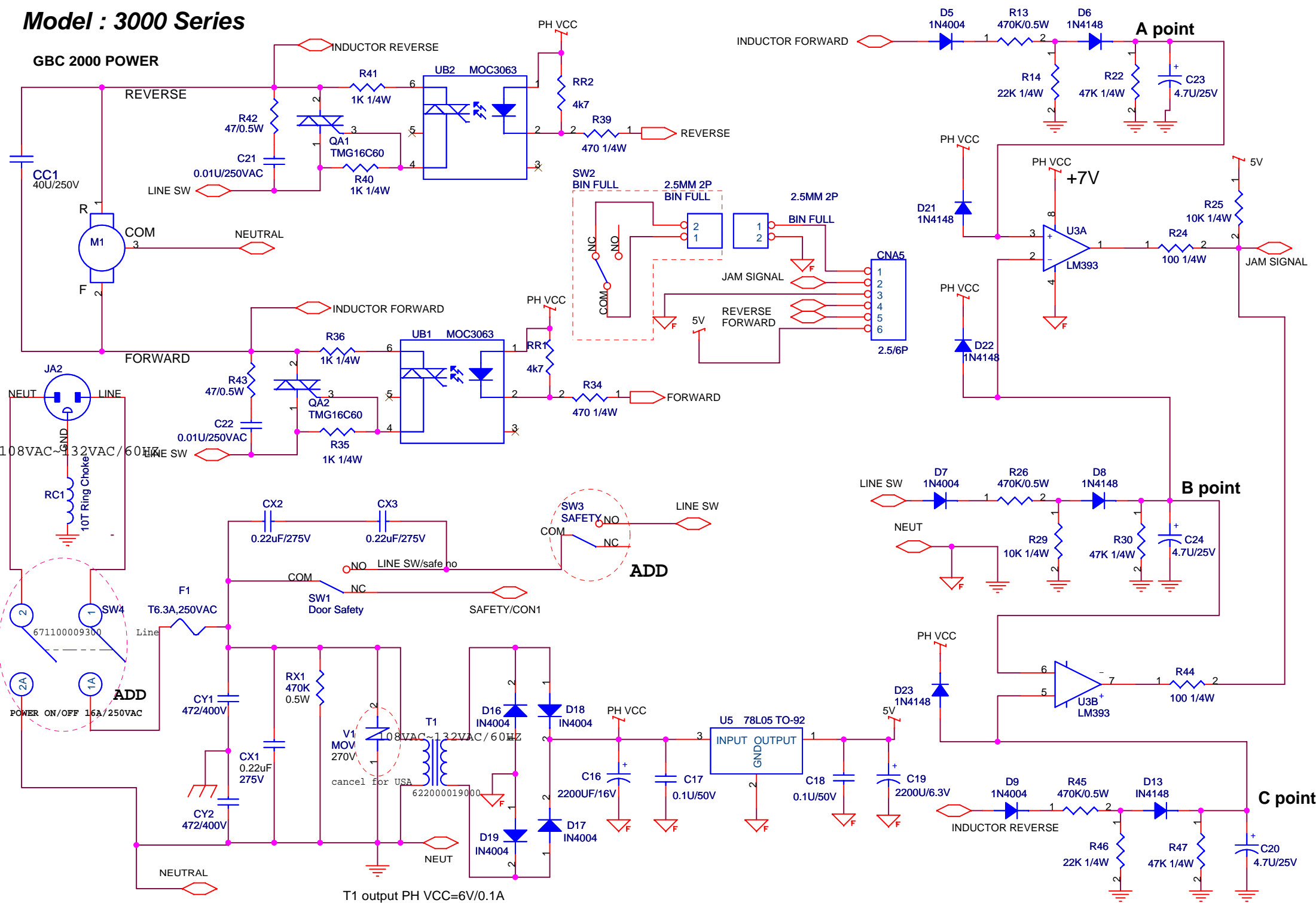
# Model : 3000 Series

GBC 2000 MIR IC NO.1



# Model : 3000 Series

## GBC 2000 POWER



CC1  
40U/250V

JA2

SW4  
671100009300

ADD  
POWER ON/OFF 16A/250VAC

NEUTRAL

REVERSE

FORWARD

LINE SW

F1  
T6.3A,250VAC

CY1  
472/400V

CY2  
472/400V

NEUTRAL

INDUCTOR REVERSE

INDUCTOR FORWARD

LINE SW

SW1  
Door Safety

CX1  
0.22uF  
275V

CX2  
0.22uF/275V

NEUTRAL

R42  
47/0.5W

R43  
47/0.5W

RC1  
10T Ring Choke

SW3  
SAFETY

RX1  
470K  
0.5W

CX3  
0.22uF/275V

NEUTRAL

R41  
1K 1/4W

R36  
1K 1/4W

SW4

CY3  
472/400V

V1  
MOV  
270V

CX4  
0.22uF/275V

NEUTRAL

QA1  
TMG16C60

QA2  
TMG16C60

SW1

CY4  
472/400V

T1

CX5  
0.22uF/275V

NEUTRAL

UB2  
MOC3063

UB1  
MOC3063

SW2  
BIN FULL

CY5  
472/400V

T1

CX6  
0.22uF/275V

NEUTRAL

PH VCC

PH VCC

PH VCC

PH VCC

PH VCC

PH VCC

PH VCC

RR2  
4k7

RR1  
4k7

SW3

CY6  
472/400V

T1

CX7  
0.22uF/275V

NEUTRAL

R39  
470 1/4W

R34  
470 1/4W

SW3

CY7  
472/400V

T1

CX8  
0.22uF/275V

NEUTRAL

INDUCTOR FORWARD

INDUCTOR FORWARD

INDUCTOR FORWARD

INDUCTOR FORWARD

INDUCTOR FORWARD

INDUCTOR FORWARD

INDUCTOR FORWARD

REVERSE

REVERSE

REVERSE

REVERSE

REVERSE

REVERSE

REVERSE

UB2

UB1

UB1

UB2

UB1

UB2

UB1

R40  
1K 1/4W

R35  
1K 1/4W

SW2

CY8  
472/400V

T1

CX9  
0.22uF/275V

NEUTRAL

RR2

RR1

SW2

CY9  
472/400V

T1

CX10  
0.22uF/275V

NEUTRAL

R41

R36

SW2

CY10  
472/400V

T1

CX11  
0.22uF/275V

NEUTRAL

QA1

QA2

QA1

QA2

QA1

QA2

QA1

UB2

UB1

UB1

UB2

UB1

UB2

UB1

PH VCC

PH VCC

PH VCC

PH VCC

PH VCC

PH VCC

PH VCC

108VAC ~ 132VAC / 60HZ

ADD

NEUTRAL

REVERSE

FORWARD

LINE SW

SW1

CY1

CY2

NEUTRAL

INDUCTOR REVERSE

INDUCTOR FORWARD

LINE SW

SW1

CY3

CX2

NEUTRAL

R42

R43

RC1

SW3

RX1

CX3

NEUTRAL

QA1

QA2

SW3

CY4

T1

CX4

NEUTRAL

UB2

UB1

SW2

CY5

T1

CX5

NEUTRAL

PH VCC

PH VCC

PH VCC

PH VCC

PH VCC

PH VCC

PH VCC

RR2

RR1

SW3

CY6

T1

CX6

NEUTRAL

R39

R34

SW3

CY7

T1

CX7

NEUTRAL

REVERSE

REVERSE

REVERSE

REVERSE

REVERSE

REVERSE

REVERSE

UB2

UB1

UB1

UB2

UB1

UB2

UB1

R40

R35

SW2

CY8

T1

CX8

NEUTRAL

RR2

RR1

SW2

CY9

T1

CX9

NEUTRAL

R41

R36

SW2

CY10

T1

CX10

NEUTRAL

QA1

QA2

QA1

QA2

QA1

QA2

QA1

UB2

UB1

UB1

UB2

UB1

UB2

UB1

PH VCC

PH VCC

PH VCC

PH VCC

PH VCC

PH VCC

PH VCC

RR2

RR1

SW2

CY11

T1

CX11

NEUTRAL

R39

R34

SW2

CY12

T1

CX12

NEUTRAL

108VAC ~ 132VAC / 60HZ

ADD

NEUTRAL

REVERSE

FORWARD

LINE SW

SW1

CY1

CY2

NEUTRAL

INDUCTOR REVERSE

INDUCTOR FORWARD

LINE SW

SW1

CY3

CX2

NEUTRAL

R42

R43

RC1

SW3

RX1

CX3

NEUTRAL

QA1

QA2

SW3

CY4

T1

CX4

NEUTRAL

UB2

UB1

SW2

CY5

T1

CX5

NEUTRAL

PH VCC

PH VCC

PH VCC

PH VCC

PH VCC

PH VCC

PH VCC

RR2

RR1

SW3

CY6

T1

CX6

NEUTRAL

R39

R34

SW3

CY7

T1

CX7

NEUTRAL

REVERSE

REVERSE

REVERSE

REVERSE

REVERSE

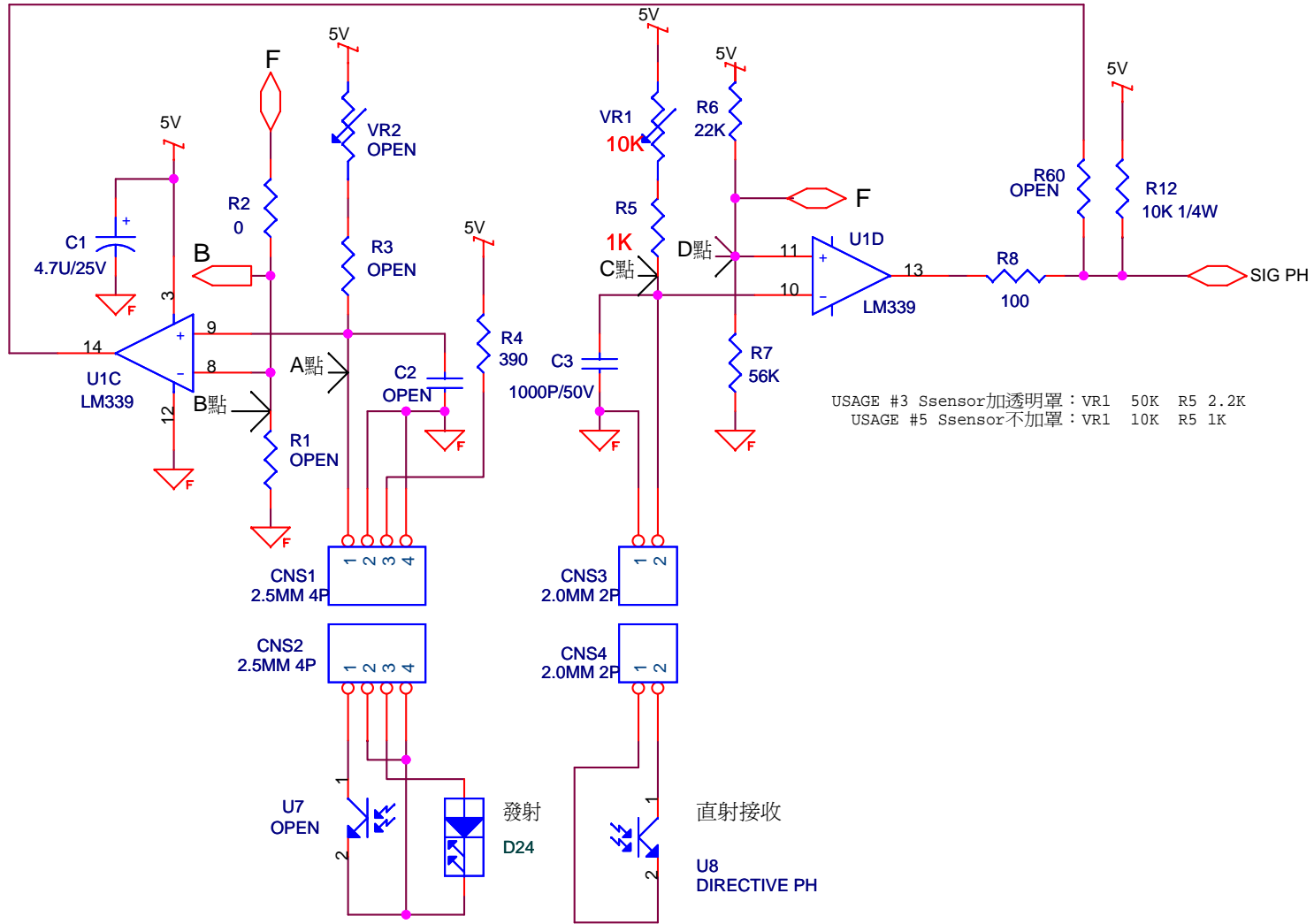
REVERSE

REVERSE

UB2

# Model : 3000 Series

GBC 2000 MIR IC NO.2



C點: 用三張150um膠膜放于電子眼處時, 測試結果:

- 2.6VDC 電阻 (共測試三台機) (VR1+R5): 7.6K 5.99K 5.5K
- 3.6VDC 電阻 (共測試三台機) (VR1+R5): 4.329K 3.01K 3.255K
- 4.6VDC 電阻 (共測試三台機) (VR1+R5): 1.1K 1K 1K

Title		
2000Series-EYE.SCH		
Size	Document Number	Rev
A	<Doc>	<RevCode>
Date:	Friday, July 13, 2007	Sheet 1 of 1