



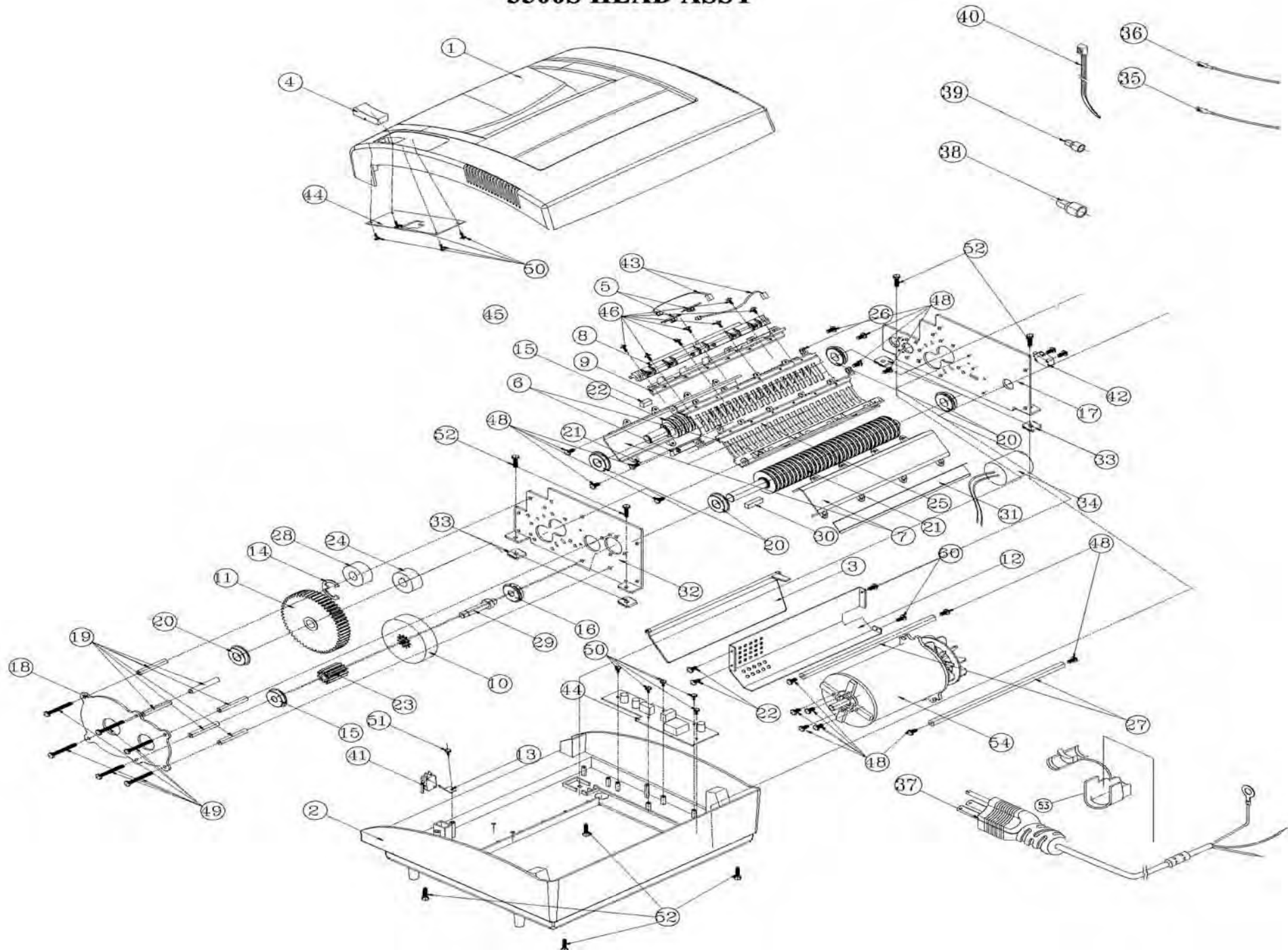
3500S PARTS LIST

Revised 04/18/06



GBC IS AN ACCO BRANDS COMPANY

3500S HEAD ASSY



3500S PARTS LIST

54	66000000190X	AC MOTOR 9450MM 115V	1	
53	690200007300	TUBE PLASTICS #4 L=20MM	1	
52	155300811110	B-T/SCREW MM M5 16MM	8	
51	152301239110	C-M/SCREW MM M3 12MM	3	
50	152300627110	SCREW-C-M/SCREW MM#3 6MM	13	
49	151505707110	SCREW	6	
48	151501031110	M/SCREW MM M5 10MM	16	
47	151401227110	M/SCREW MM M4 12MM	4	
46	151300621110	M/SCREW MM M3 6MM	29	
45	91020002903X	GBC 2250X POWER PCB ASS'Y	1	
44	91020002964X	GBC 2230 MIR IC ASS'Y	1	
43	91000012452X	GBC 2000 AUTO EYE ASS'Y	1	
42	91000011007X	GBC 2250S BIN FULL ASS'Y	1	
41	91000011006X	GBC 2250S SAFETY SW ASS'Y	1	
40	710100006100	CABLE TIE HW-045 L=120mm	7	
39	690300006400	CNT POWER	4	
38	690300005700	CNT POWER	3	
37	640100075000	CABLE POWER 3 PIN	1	
36	630152000434	LW UL1015 #20 240MM	1	
35	630152000433	LW UL1015 #20 250MM	1	
34	562406712020	TAN DIP CAP 40uF 250V	1	
33	18020000754X	2230S-2 RUBBER	4	
32	13043240010X	PLATE B(MOTOR)	1	
31	13042490010X	SMALL PLATE	1	
30	13042480010X	SLIDING KEY A	1	
29	13042470010X	GEAR A SHAFT	1	
28	13042430010X	GEAR C 19T	1	
27	13042410010X	10MM SUPPORT BOSS	2	
26	13047450010X	6MM PAPER-GUIDE B	1	
25	13047360010X	6MM PAPER-GUIDE A	1	
24	13042350010X	GEAR-B-1 19T	1	
23	13042340010X	GEAR-A-1 11T	1	
22	13047560010X	4MM KNIFE B	1	
21	13047500010X	6MM KNIFE A	1	
20	13042300010X	6002 BEARING	5	
19	13042290010X	SUPPER-BOSS	6	
18	13042280010X	PLATE C	1	
17	13042260010X	PLATE A	1	
16	13038130010X	BEARING 6200	2	
15	13038110010X	SLIDING KEY B	2	
14	13016500010X	#15 C-RING H-CARBON STEEL	1	
13	13007310010X	SWITCH FIXER	1	
12	13007270010X	MOTOR SHIELD	1	
11	10080720010X	GEAR B	1	
10	10080710010X	GEAR A	1	
09	10080700010X	PAPER-HOLDER-RIGHT	1	
08	10080690010X	PAPER-HOLDER-LEFT	1	
07	10080680010X	KNIFE COVER	2	
06	10080670010X	PAPER-GUIDE-HOLDER	2	
05	10080660010X	LCD HOLDER PC	2	
04	10006170010X	SWITCH CAP	1	
03	10006070010X	FLAP	1	
02	10006031010X	HOUSING BOTTOM	1	
01	10006020010X	HOUSING TOP	1	
ITEM	PART NO.	DESCRIPTION	Q'TY	REMARK