

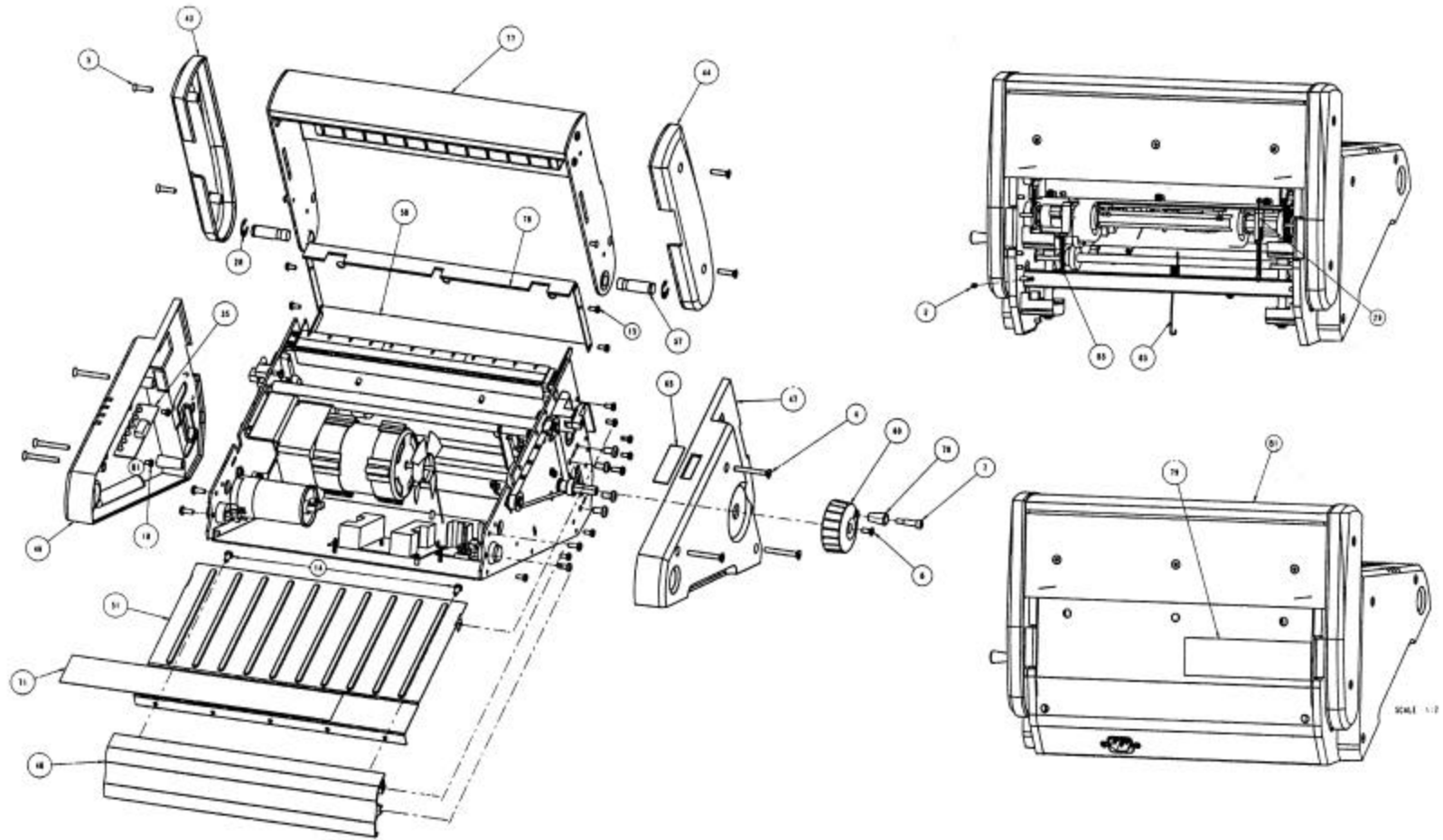


# **340WB PARTS LIST**



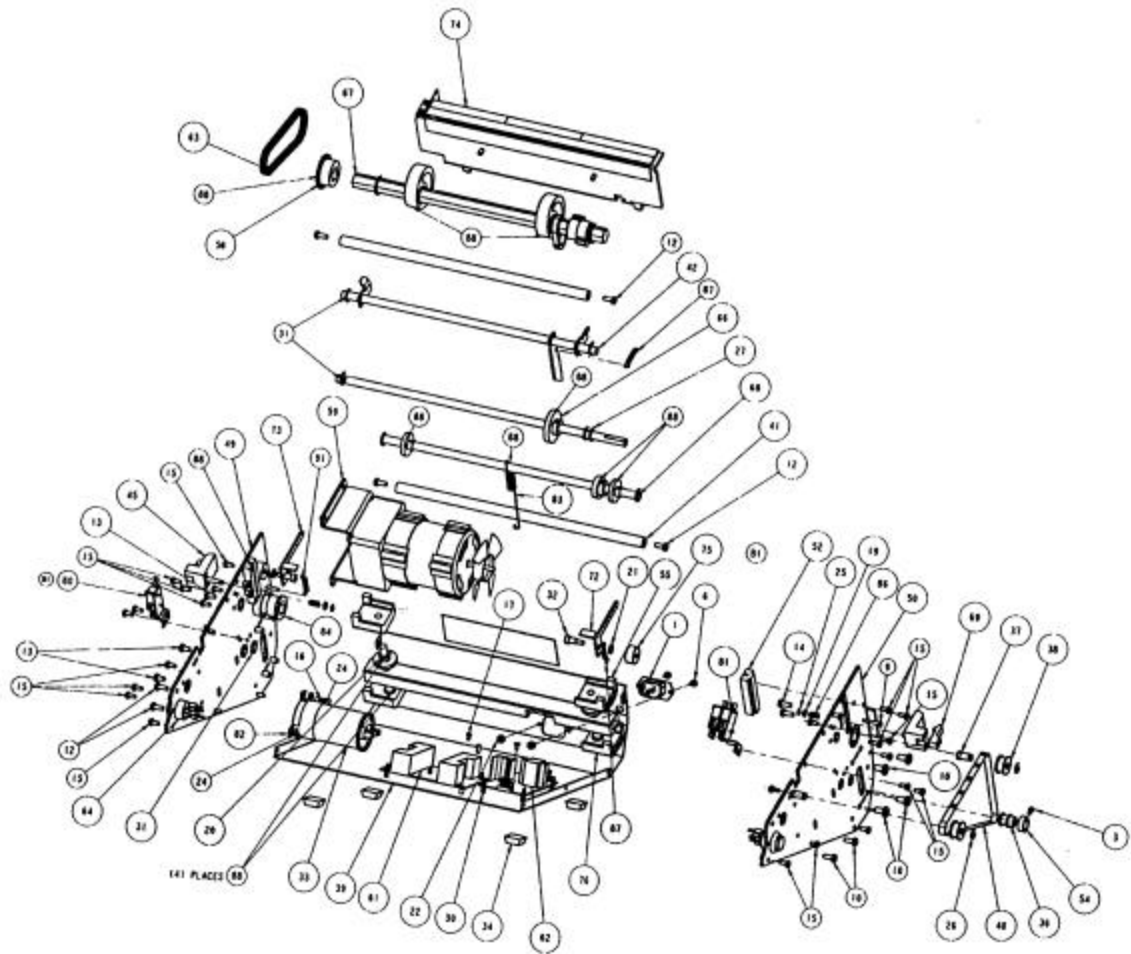
**GBC IS AN ACCO BRANDS COMPANY**

8.0 PARTS LIST - TL2900



8-1 Figure

## 8.0 PARTS LIST – TL2900



8-2 Figure

## 8.0 PARTS LIST – TL2900

### 8.1 & 8.2 Parts Listing

| Index | Part #  | Description                                     | Qty |
|-------|---------|---|-----|
| 1     | 1132289 | POWER INLET, 115V                               | 1   |
| 1     | 6195001 | FILTER, 230V                                    | 1   |
| 2     | 1900201 | SCREW, SET, 10-32 x ¼                           | 2   |
| 3     | 1900532 | SCREW, 6-32 x ¼ S.H.C.                          | 1   |
| 4     | 1900624 | SCREW, FLAT HEAD SOCKET CAP SCREW               | 6   |
| 5     | 1900635 | SCREW, 10-32 x 7/8 S.H.C.                       | 4   |
| 6     | 1900636 | SCREW, 6-32 x 3/8 F.H.C.S                       | 2   |
| 7     | 1900833 | SCREW, 10-24 x .625 S.H.S                       | 1   |
| 8     | 1902616 | SCREW, 10-32 x 2.25 S.H.C                       | 1   |
| 9     | 1902848 | SCREW, 6-32 x ¾, MACHINE PNHD CR                | 2   |
| 10    | 1902851 | SCREW, ¼-20 x ½ MACHINE PNHD CR                 | 8   |
| 11    | 1907809 | SCREW, 10-32 x 3/8 PNHD C'RECESS THD CUT        | 2   |
| 12    | 1907839 | SCREW, 10-32 x ½ PNHD THD FRM                   | 8   |
| 13    | 1911102 | SCREW, 10-32 x 3/8 PNHD SEMS                    | 4   |
| 14    | 1911103 | SCREW, 10-32 x ½ SEMS PNHD PHIL INT STAR WASHER | 4   |
| 15    | 1911106 | SCREW, 8-32 x 3/8 MACH SEMS PNHD                | 27  |
| 16    | 1911107 | SCREW, 10-32 x 5/8 MACH SEMS PNHD               | 1   |
| 17    | 1911126 | SCREW, 4-40 x ¼ SEMS PAN HD PHIL INT STR WSHR   | 2   |
| 18    | 1911601 | SCREW, 8-32 x 5/16 SEMS PNHD STWS               | 2   |
| 19    | 1925002 | WASHER  | 2   |
| 20    | 1925032 | WASHER 21/64 x 9/16 x .065                      | 2   |
| 21    | 1925132 | WASHER  | 2   |
| 22    | 1926801 | NUT, KEPS 6-32                                  | 2   |
| 23    | 1926802 | NUT, KEPS 8-32                                  | 3   |
| 24    | 1926803 | NUT, KEPS 10-32                                 | 1   |
| 25    | 1930509 | E-RING  | 2   |
| 26    | 1930514 | E-RING, .312 SHAFT                              | 2   |
| 27    | 1930516 | E-RING, .375 DIA. SHAFT                         | 7   |
| 28    | 1930522 | E-RING, .500 DIA. SHAFT                         | 2   |
| 29    | 1935310 | SPRING, EXTENSION                               | 2   |
| 30    | 1951012 | STANDOFF, PCB                                   | 8   |
| 31    | 1952012 | BEARING, FLANGED .376 I.D.                      | 6   |
| 32    | 1964507 | SCREW, 10-24 x .3755 S.H.C                      | 2   |
| 33    | 6205037 | CAPACITOR, MOTOR, 25 uf 115V                    | 1   |
| 33    | 6205043 | CAPACITOR, MOTOR, 230V                          | 1   |
| 34    | 7300499 | FOOT, RUBBER                                    | 4   |
| 35    | 7301038 | P.C.B. LED                                      | 1   |

## 8.0 PARTS LIST – TL2900

### 8.1 & 8.2 Parts Listing

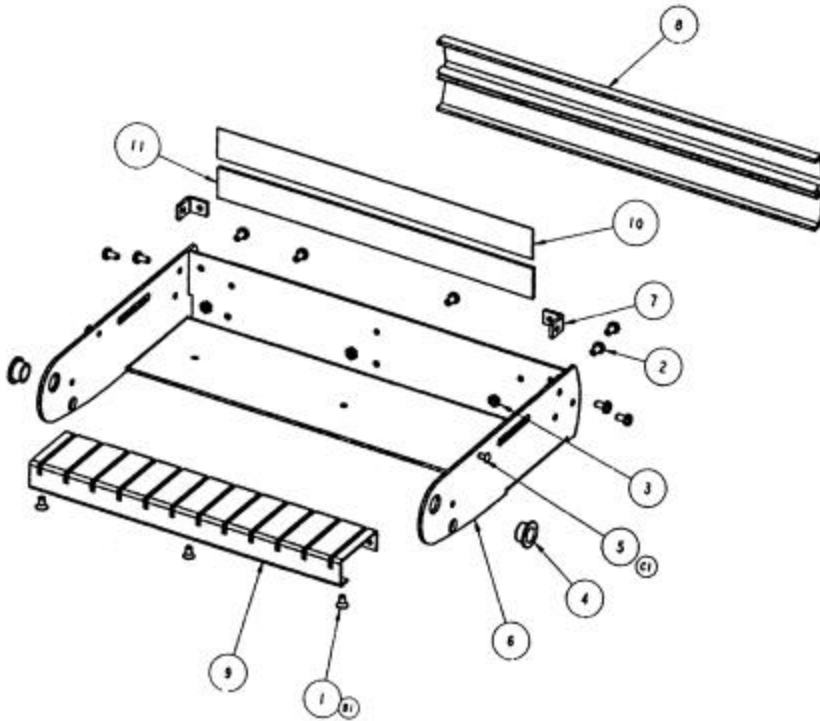
| Index | Part #  | Description              | Qty |
|-------|---------|--------------------------|-----|
| 36    | 7301205 | ADJUST PULLEY            | 1   |
| 37    | 7301206 | STUB SHAFT, ADJUST       | 2   |
| 38    | 7301207 | WHEEL TOP, ADJUST        | 2   |
| 39    | 7301209 | BASE, TL2900             | 1   |
| 40    | 7301212 | BELT                     | 1   |
| 41    | 7301213 | BRACE                    | 2   |
| 42    | 7301219 | ASSEMBLY CAM SHAFT, LINK | 1   |
| 43    | 7301226 | CLAMP CAP, LAFT          | 1   |
| 44    | 7301227 | CLAMP CAP, RIGHT         | 1   |
| 45    | 7301233 | CLAMP STOP, BOTTOM       | 2   |
| 46    | 7301245 | END CAP, LEFT            | 1   |
| 47    | 7301246 | END CAP, RIGHT           | 1   |
| 48    | 7301247 | EXTRUSION, BOTTOM        | 1   |
| 49    | 7301249 | FRAME LEFT               | 1   |
| 50    | 7301251 | FRAME RIGHT              | 1   |
| 51    | 7301252 | COVER, FRONT             | 1   |
| 52    | 7301253 | GUIDE                    | 2   |
| 53    | 7301255 | HOOK ASSEMBLY            | 1   |
| 54    | 7301263 | SPACER, PULLEY           | 1   |
| 55    | 7301264 | SCREW BLOCK              | 2   |
| 56    | 7301270 | SPROCKET, 20 TEETH       | 1   |
| 57    | 7301272 | STUB SHAFT               | 2   |
| 58    | 7301273 | COVER, TOP               | 1   |
| 59    | 7301274 | MOTOR ASSEMBLY, 115V     | 1   |
| 59    | 7301352 | MOTOR ASSEMBLY, 230V     | 1   |
| 60    | 7301275 | KNOB                     | 1   |
| 61    | 7301349 | PCB CONTROLLER           | 1   |
| 62    | 7301278 | POWER SUPPLY             | 1   |
| 63    | 7301279 | CHAIN                    | 1   |
| 64    | 7301283 | SWITCH                   | 2   |
| 65    | 7301291 | WINDOW, SIZER            | 1   |
| 66    | 7301293 | ASSEMBLY ADJUST SHAFT    | 1   |
| 67    | 7301294 | CAM SHAFT ASSEMBLY       | 1   |
| 68    | 7301295 | ASSEMBLY IDLE SHAFT      | 1   |
| 69    | 7301298 | CLAMP LOCK PIN ASSEMBLY  | 2   |
| 70    | 7301306 | KNOB, TURN               | 1   |
| 71    | 7301309 | LABEL, TL2900            | 1   |

## 8.0 PARTS LIST – TL2900

### 8.1 & 8.2 Parts Listing

| Index | Part #  | Description              | Qty  |
|-------|---------|--------------------------|------|
| 72    | 7301317 | ARM LINK, RIGHT          | 1    |
| 73    | 7301318 | ARM LINK, LEFT           | 1    |
| 74    | 7301329 | HOOK / CLAMP ASSEMBLY    | 1    |
| 75    | 7301330 | SPACER, HOOK LOCK        | 2    |
| 76    | 7301331 | DRIVE ASSEMBLY           | 1    |
| 77    | 7301332 | CLAMP TOP ASSEMBLY       | 1    |
| 78    | 7301333 | LABEL, TOP COVER         | 1    |
| 79    | 7301334 | LABEL, HOOK ASSEMBLY     | 1    |
| 80    | 7301342 | CLAMP SWITCH ASSEMBLY    | 1    |
| 81    | 7301343 | HOME SWITCH ASSEMBLY     | 1    |
| 82    | 7702885 | BRACKET, CAPACITOR       | 1    |
| 83    | 7703533 | SPRING, HANDLE           | 1    |
| 84    | 7703548 | BEARING, FLANGED         | 2    |
| 85    | 9779260 | SPRING, EXTENSION        | 2    |
| 86    | 9779272 | SPRING, COOLING PIN      | 2    |
| 87    | 9779278 | SPRING                   | 3    |
| 88    | 1961505 | LUBRIPLATE MO-LITH NO. 2 | .001 |
| 89    | 7301319 | WIRE KIT, TL2900         | 1    |
| 90    | 7301052 | GROUND WIRE ASSEMBLY     | 1    |
| 91    | 7301303 | SPRING, RETURN           | 1    |

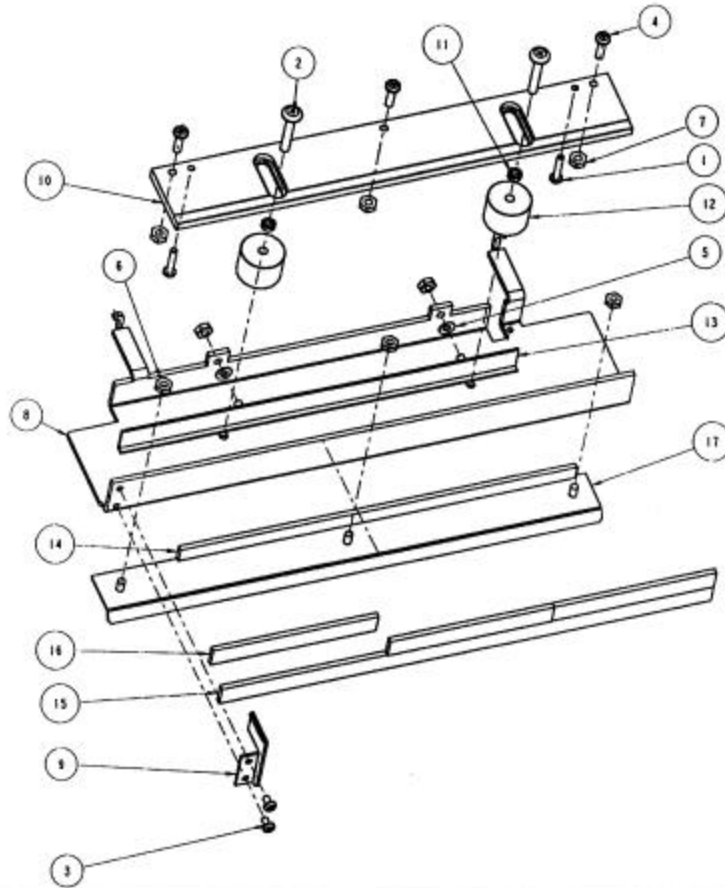
## 8.0 PARTS LIST – TL2900



### 8.3 Parts Listing

| Index | Part #  | Description                                | Qty |
|-------|---------|--|-----|
| 1     | 1900602 | SCREW, 10-32 x ½ S.H.C.                    | 3   |
| 2     | 1907809 | SCREW, 10-32 x 3/8 PNHD C'RECESS THD CUT'G | 9   |
| 3     | 1926802 | NUT, KEPS 8-32                             | 3   |
| 4     | 1952023 | BEARING, FLANGED                           | 2   |
| 5     | 1980254 | SCREW, 8-32 x ¼ BUTTON HD SC               | 2   |
| 6     | 7301237 | TOP, CLAMP                                 | 1   |
| 7     | 7301238 | BRACKET, CORNER                            | 2   |
| 8     | 7301248 | EXTRUSION, TOP                             | 1   |
| 9     | 7301262 | PLATEN                                     | 1   |
| 10    | 7301288 | RUBBER, CLAMP                              | 1   |
| 11    | 7301308 | CLAMP, SPACER                              | 1   |

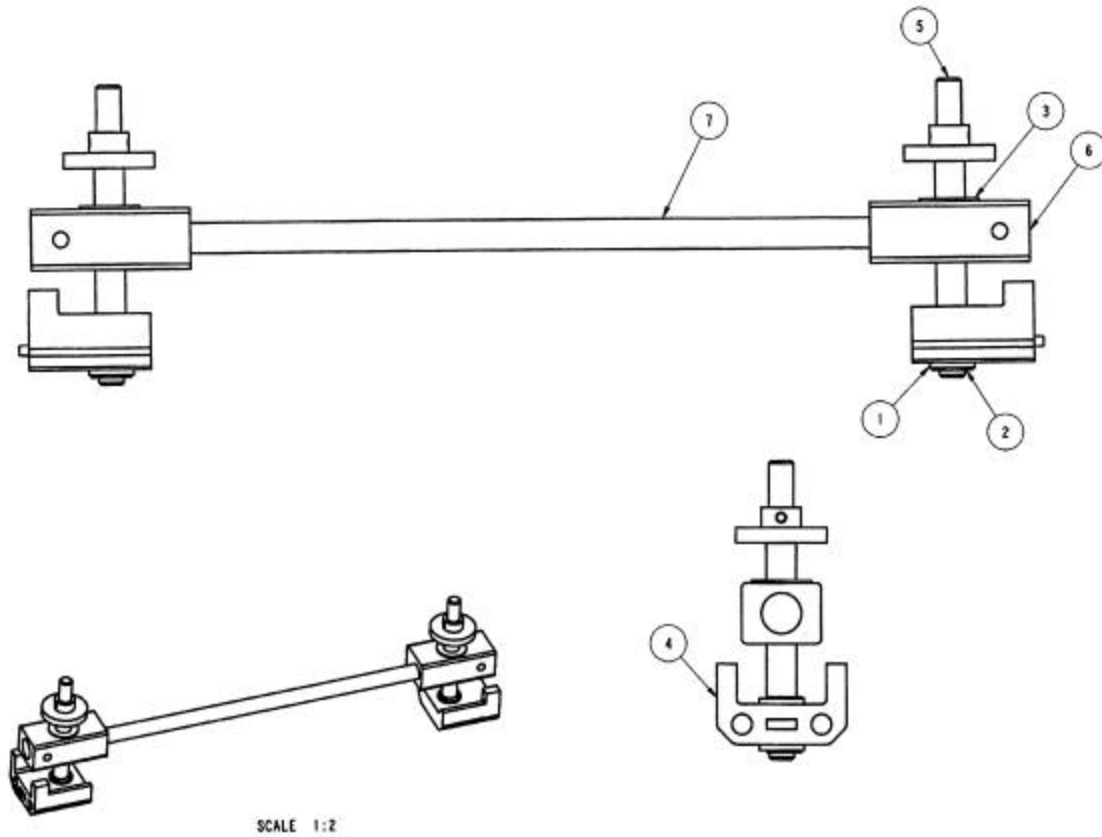
## 8.0 PARTS LIST – TL2900



### 8.4 Parts Listing

| Index | Part #  | Description  | Qty |
|-------|---------|--|-----|
| 1     | 1902848 | SCREW, 6-32 x ¾, MACH, PAN HD, CR                                    | 2   |
| 2     | 1903012 | SCREW, 10-32 x 1 ¼ MACH TRS HD                                       | 2   |
| 3     | 0911109 | SCREW, 6-32 x ¼ SEMS PNHD STWS                                       | 2   |
| 4     | 1902806 | SCREW, 6-32  | 3   |
| 5     | 1925008 | WASHER 3/8 OD  | 2   |
| 6     | 1926802 | NUT, KEPS 8-32   | 5   |
| 7     | 1926802 | NUT, 8-32  | 3   |
| 8     | 7301236 | CLAMP  | 1   |
| 9     | 7301244 | EDGE GUIDE   | 1   |
| 10    | 7301257 | HOOK SLIDE   | 1   |
| 11    | 7301258 | HOOK SPACER  | 2   |
| 12    | 7301259 | HOOK TOWER   | 2   |
| 13    | 7301284 | MAGNET HOLDER  | 1   |
| 14    | 7301286 | MAGNET, SLIDE  | 1   |
| 15    | 7301287 | MAGNET, CLAMP  | 1   |
| 16    | 7301304 | MAGNET, CLAMP. STOP  | 3   |
| 17    | 7301305 | CLAMP GUIDE  | 1   |
| 18    | 1960549 | LOCTITE (used on item 7, nut to prevent accidental removal of screw) | .02 |

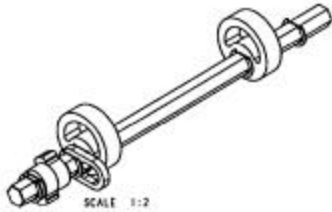
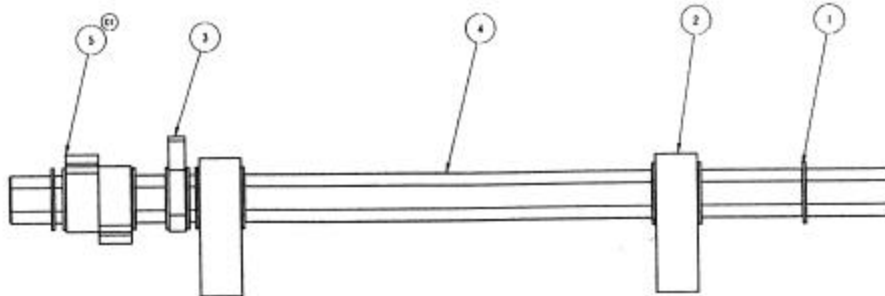
## 8.0 PARTS LIST – TL2900



### 8.5 Parts Listing

| Index | Part #  | Description                | Qty |
|-------|---------|----------------------------|-----|
| 1     | 1925032 | WASHER 21/64 X 9/16 X .065 | 4   |
| 2     | 1930514 | E-RING, .312 SHAFT         | 4   |
| 3     | 1953516 | WASHER                     | 2   |
| 4     | 7301264 | SCREW BLOCK                | 2   |
| 5     | 7301292 | SCREW BLOCK ASSEMBLY       | 2   |
| 6     | 7301346 | CLAMP SUPPORT              | 2   |
| 7     | 7301347 | SHAFT, CLAMP SUPPORT       | 1   |

## 8.0 PARTS LIST – TL2900



### 8.6 Parts Listing

| Index | Part #  | Description | Qty |
|-------|---------|-------------|-----|
| 1     | 1930554 | E-RING      | 10  |
| 2     | 7301216 | CAM, DRIVE  | 2   |
| 3     | 7301217 | CAM RELEASE | 1   |
| 4     | 7301218 | CAM, SHAFT  | 1   |
| 5     | 7301281 | CAM SWITCH  | 2   |