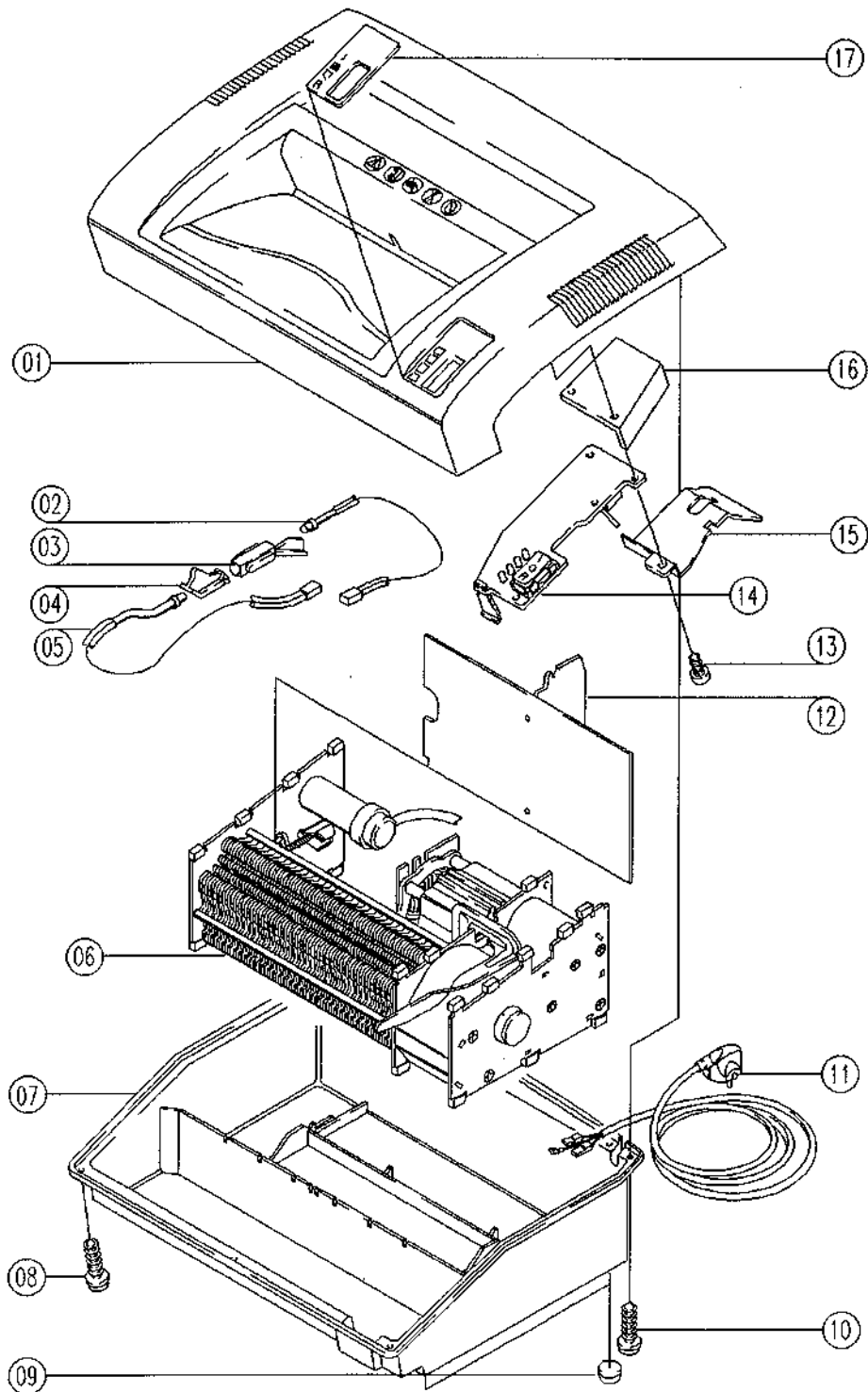


Section 8.0 3220S/3230S/3260X/3270X Parts List
3260X/3270X Exploded View
Figure 8.4

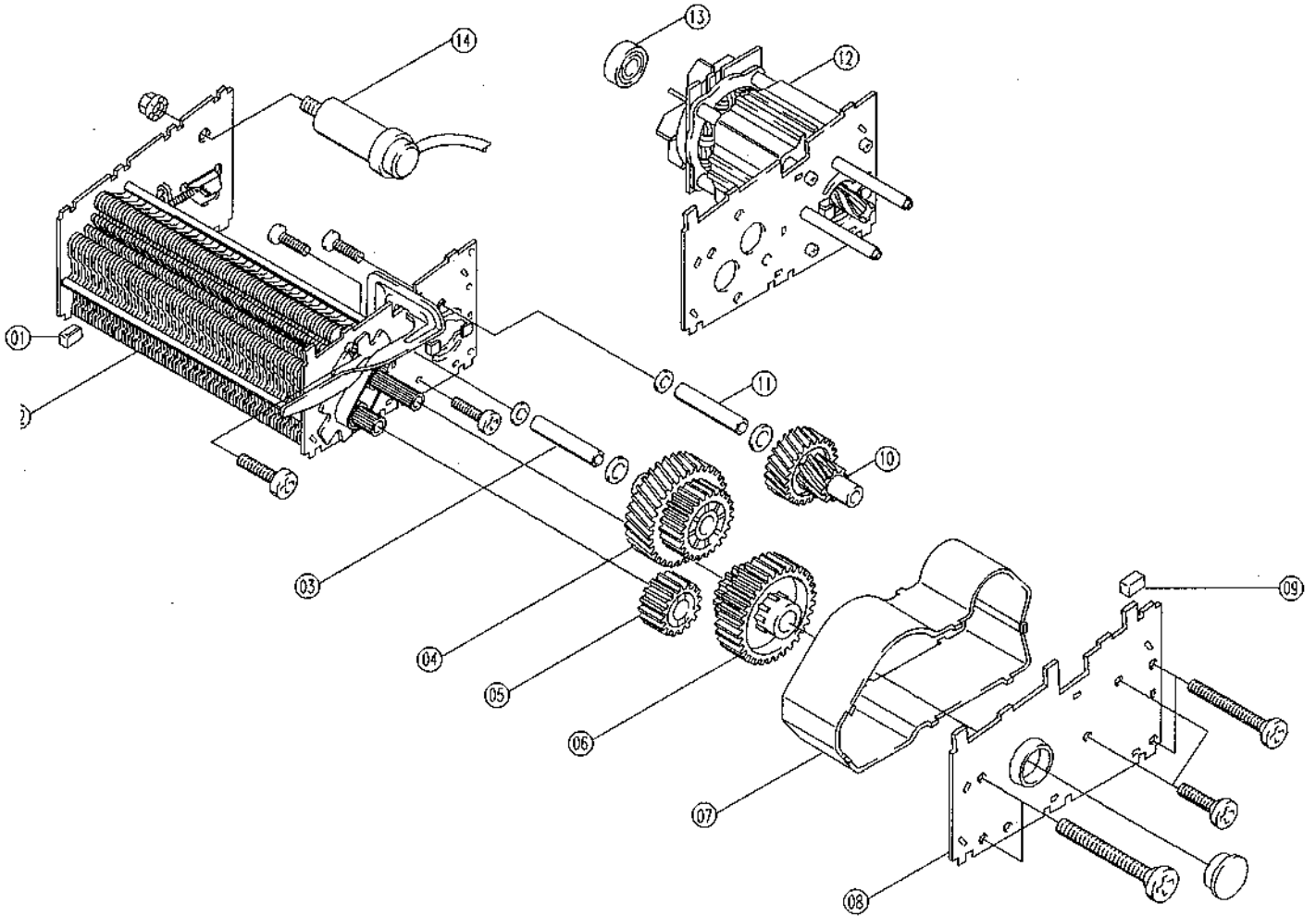


Section 8.0 3220S/3230S/3260X/3270X Parts List
3260X/3270X Exploded View Parts List
Figure 8.4

				QTY	
*			Warning Label		1
*			Warning Label	1	
17	1750931	3200 013	Icon Name Plate		1
17	1751973	3200 014	Icon Name Plate	1	
16	1751970	3200 022	Upper Insulator	1	1
15	1751969	3200 015	Lower Insulator	1	1
14	1750923	3200 230	Control Board Assy		1
14	1752015	3200 115	Control Board Assy	1	
13	-REF-	9002 684	Screw	x	x
12	1751968	3200 050	Metal Partitian	1	1
11	1751967	9002 879	Power Cord	1	
10	1751966	9002 942	Bottom Housing Screw	x	x
9	1751965	9001 993	Rubber Pad	4	4
8	1751966	9002 942	Bottom Housing Screw	x	x
x	1751964	9003 764	Inner Back Pad B, Not Shown	1	1
x	1751963	9003 763	Inner Back Pad A, Not Shown	1	1
7	1751962	3200 006	Bottom Housing	1	1
6	1750932	3200 530	Cutting Head Assy, Complete/2x15mm		1
6	1751972	3200 331	Cutting Head Assy, Complete/4x40mm	1	
5	1752017	9003 713	Cable For Photo Cell	1	1
4	1751960	2401 010	Transmitter Assembly	1	1
3	1751959	2000 012	Receiver Assembly	1	1
2	1752018	9003 714	Cable For Photo Cell	1	1
1	1751958	3200 005	Upper Cover	1	1
ITEM	PRT NO.	REF. NO.	DESCRIPTION	115V	230V

* Not shown located on the bottom cover

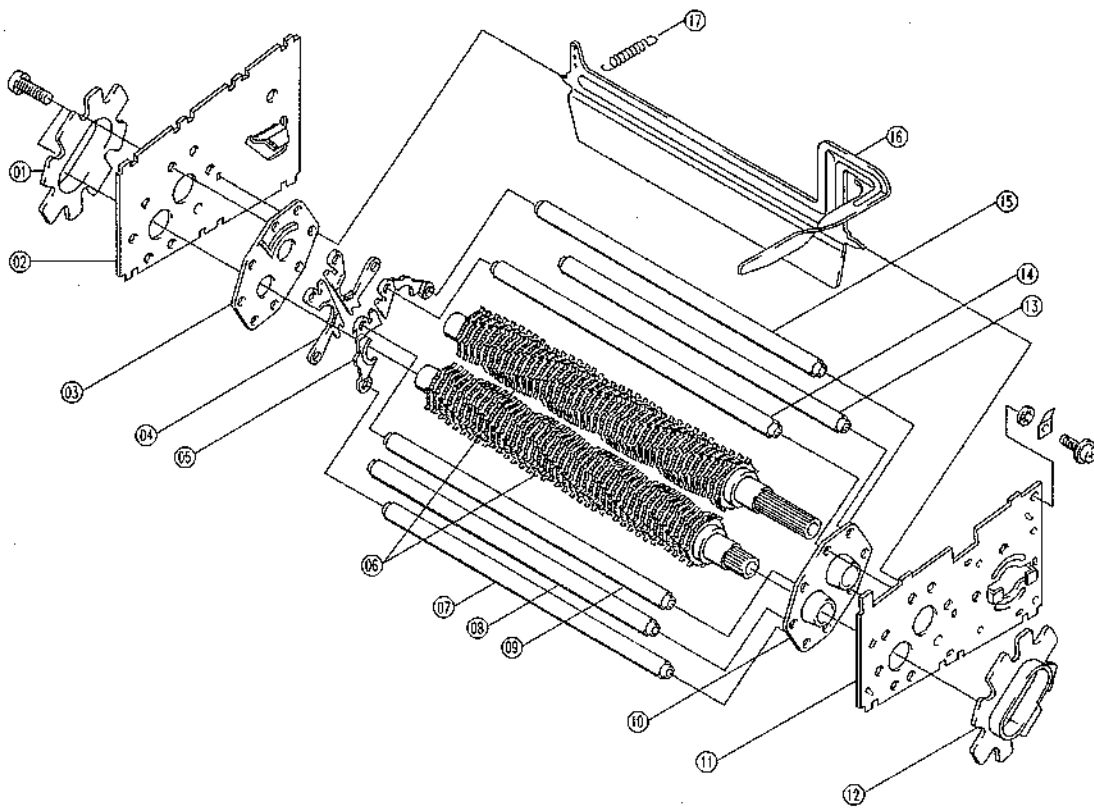
Section 8.0 3220S/3230S/3260X/3270X Parts List
3260X/3270X Exploded View
Figure 8.5



Section 8.0 3220S/3230S/3260X/3270X Parts List
3260X/3270X Exploded View Parts List
Figure 8.5

				QTY	
ITEM	PRT NO.	REF.NO.	DESCRIPTION	115V	230V
14	1750925	9003 740	Capacitor		1
14	1751979	9003 739	Capacitor	1	
13	1751978	9001 621	Bearing	1	1
12	1750926	3200 062	Motor Assy		1
12	1752016	3200 061	Motor Assy	1	
11	1751977	2401 032	Support Shaft	1	1
10	1752027	2401 026	Helical Double Drive Gear "D"	1	1
9	1752029	9003 215	Insulator Boot	x	x
8	1751976	2401 020	Gear Box Side Frame	1	1
7	1751975	2401 022	Gear Box Cover	1	1
6	1752066	2401 529	Double Drive Gear "C"	1	1
5	1752025	2401 025	Gear "B"	1	1
4	1752065	2401 528	Double Drive Gear "A"	1	1
3	1751977	2401 032	Support Shaft	1	1
2	1750933	3200 535	Cutting Head Assy/2x15mm		1
2	1751980	3200 335	Cutting Head Assy/4x40mm	1	
1	1752029	9003 215	Insulator Boot	x	x

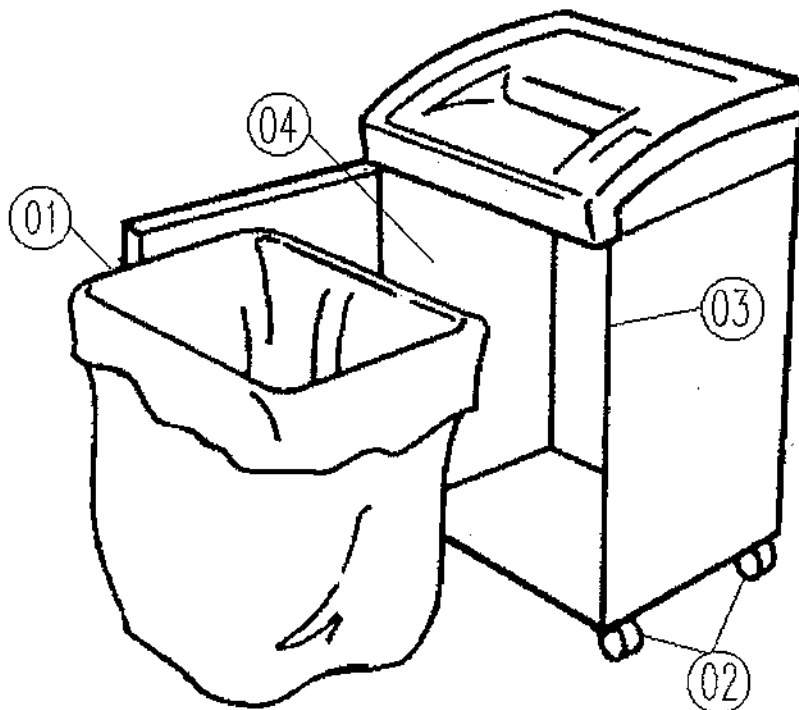
Section 8.0 3220S/3230S/3260X/3270X Parts List
3260X/3270X Exploded View
Figure 8.6



Section 8.0 3220S/3230S/3260X/3270X Parts List
3260X/3270X Exploded View Parts List
Figure 8.6

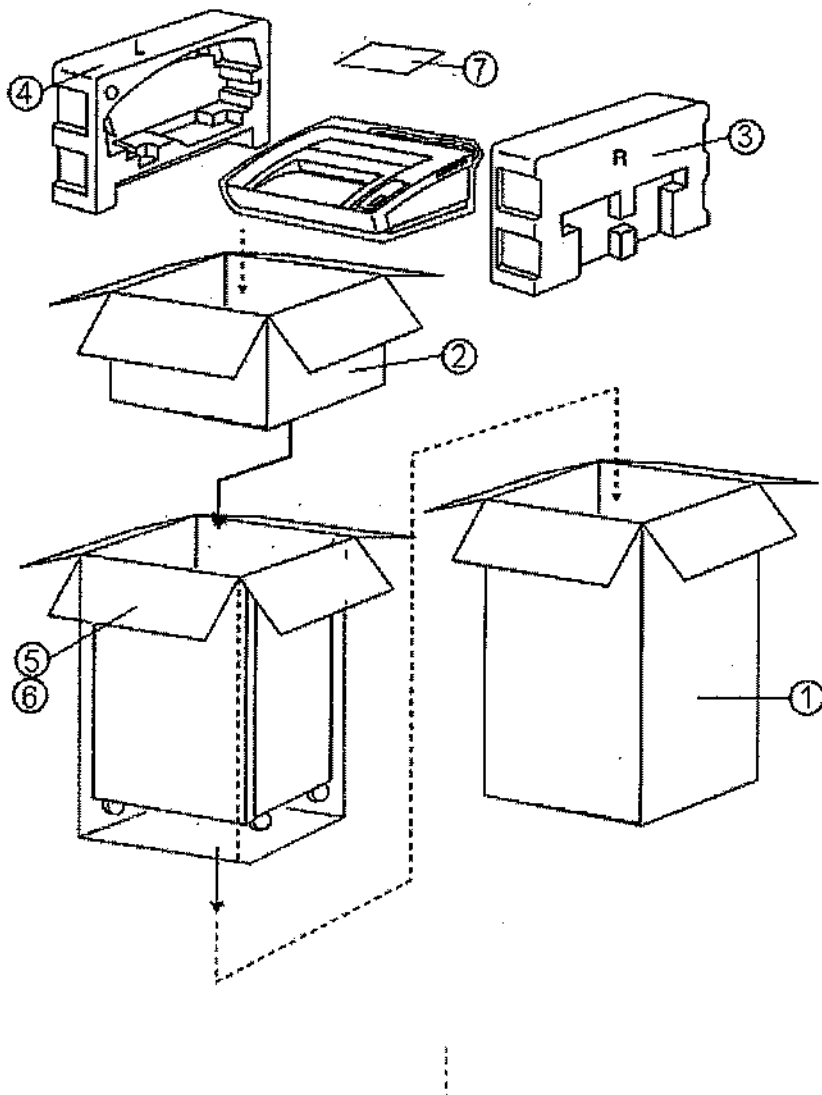
				QTY	
17	1751994	2401 510	Spring	1	1
16	1751983	3200 047	Bag full Flap	1	1
15	1751984	3200 040	Stripper Support Rod	1	1
14	1751984	3200 040	Stripper Support Rod	1	1
13	1751984	3200 040	Stripper Support Rod	1	1
12	1751993	2401 503	Bearing Cap Support	1	1
11	1751982	2401 034	R.H Side Frame	1	1
10	1751992	2401 535	Bearing		1
10	1751991	3200 301	Bearing	1	
9	1751984	3200 040	Stripper Support Rod	1	1
8	1751984	3200 040	Stripper Support Rod	1	1
7	1751984	3200 040	Stripper Support Rod	1	1
6	1750934	3200 550	Cutter Set/2x15mm		1
6	1751990	3200 350	Cutter Set/4x40mm	1	
5	1750935	2401 505	Stripper/Outer 2X15mm		x
5	1751989	3200 505	Stripper/Outer4X40mm	x	
4	1750936	2401 504	Stripper/Inner 2x15mm		x
4	1751988	3200 504	Stripper/Inner 4X40mm	x	
3	1752067	2401 535	Bearing Bushing	1	1
2	1751987	2401 042	L.H Side Frame	1	1
1	1751993	2401 503	Bearing Cap Support	1	1
ITEM	PRT NO.	REF. NO.	DESCRIPTION	115V	230V

Section 8.0 3220S/3230S/3260X/3270X Parts List
3220S/3230S/3260X/3270X Cabinet Exploded View
Figure 8.7



ITEM	PRT NO.	REF. NO.	DESCRIPTION	QTY	
				115V	230V
*	1752728		Cabinet Door	1	1
4	1752002		Cabinet Complete	1	1
3	1760042		Magnet	1	1
2	1752124	1752134	Castor	4	4
1	1752006		Bag Rim	1	1
ITEM	PRT NO.	REF. NO.	DESCRIPTION	115V	230V

Section 8.0 3220S/3230S/3260X/3270X Parts List
3220S/3230S/3260X/3270X Packaging Exploded View
Figure 8. 8



				QTY	
7			Operator Manual, International		1
7	1751956		Operator Manual, U.S	1	
6	1751957		Honey Comb Insert Complete, Cabinet Box	1	1
5	1751999		Cabinet Box	1	1
4	1751998		Styrofoam L.H, Shredder Head	1	1
3	1751997		Styrofoam R.H, Shredder Head	1	1
2	1751996		Shredder Head Carton	1	1
1	1751995		Master Carton	1	1
ITEM	PRT NO.	REF. NO.	DESCRIPTION	115V	230V

9.0 3220S/3230S/3260X/3270X *Recommended Spare Parts

3220S/3230S			QTY	
1752007		Spray Paint 9oz. Light Gray	1	1
1752008		Spray Paint 9oz. Dark Gray	1	1
1752006		Bag Rim	2	2
1752124		Castors	4	4
1750923	3200 230	Control Board Assy		1
1752015	3200 115	Control Board Assy	1	
1750926	3200 062	Motor Assy		1
1752016	3200 061	Motor Assy	1	
1751960	2401 010	Transmitter Assembly	1	1
1751959	2000 012	Receiver Assembly	1	1
1752019	2401 027	Double Drive Gear "A" 3220S/3230S	1	1
1752025	2401 025	Gear "B"3220S/3230S	1	1
1752026	2401 024	Double Drive Gear "C" 3220S/3230S	1	1
1752027	2401 026	Helical Double Drive Gear "D"	1	1
1752028	2401 036	Bearing Bushing/3220S/3230S	1	1
1752029	9003 215	Insulator Boot	22	22
PRT NO.	REF. NO.	DESCRIPTION	115V	230V

3260X/3270X			QTY	
1760049		Shredder Oil	100	100
1752007		Spray Paint 9oz. Light Gray	1	1
1752008		Spray Paint 9oz. Dark Gray	1	1
1752006		Bag Rim	1	1
1752124		Castors	4	4
1750923	3200 230	Control Board Assy		1
1752015	3200 115	Control Board Assy	1	
1750926	3200 062	Motor Assy		1
1752016	3200 061	Motor Assy	1	
1751960	2401 010	Transmitter Assembly	1	1
1751959	2000 012	Receiver Assembly	1	1
1752065	2401 528	Double Drive Gear "A" 3260X/3270X	1	1
1752066	2401 529	Double Drive Gear "C" 3260X/3270X	1	1
1752027	2401 026	Helical Double Drive Gear "D"	1	1
1752067	2401 535	Bearing Bushing/3260X/3270X	1	1
1752029	9003 215	Insulator Boot	22	22
PRT NO.	REF. NO.	DESCRIPTION	115V	230V

**Based On One Hundred Machines.*



General Binding corporation

Issued: 11/97

Assembly# 3220S 1752000 U.S
3260X 1752060 U.S

Printed in the U.S.A.