

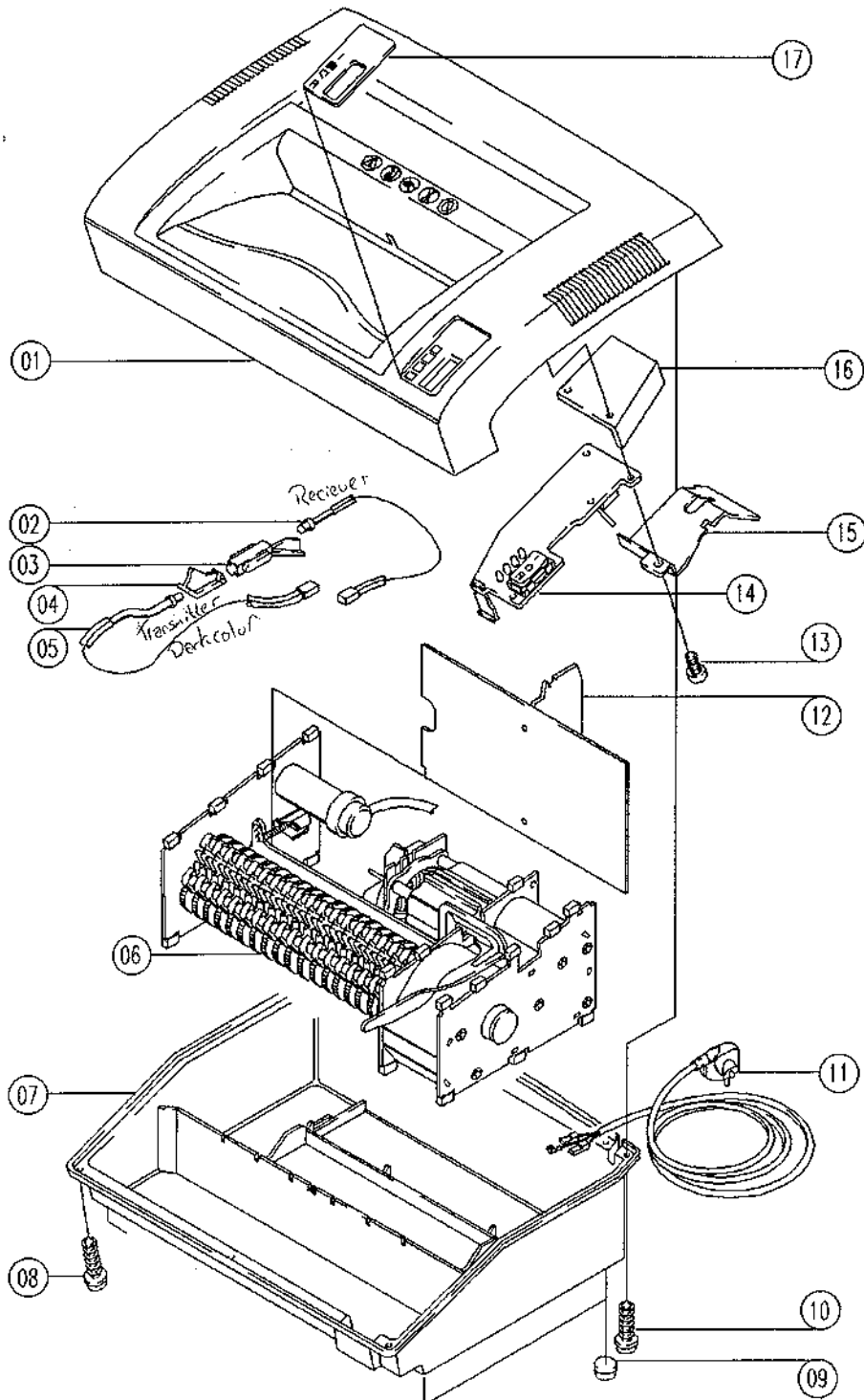


3220S/3260X/3270X PARTS LIST



GBC IS AN ACCO BRANDS COMPANY

Section 8.0 3220S/3230S/3260X/3270X Parts List
3220S/3230S Exploded View
Figure 8.1



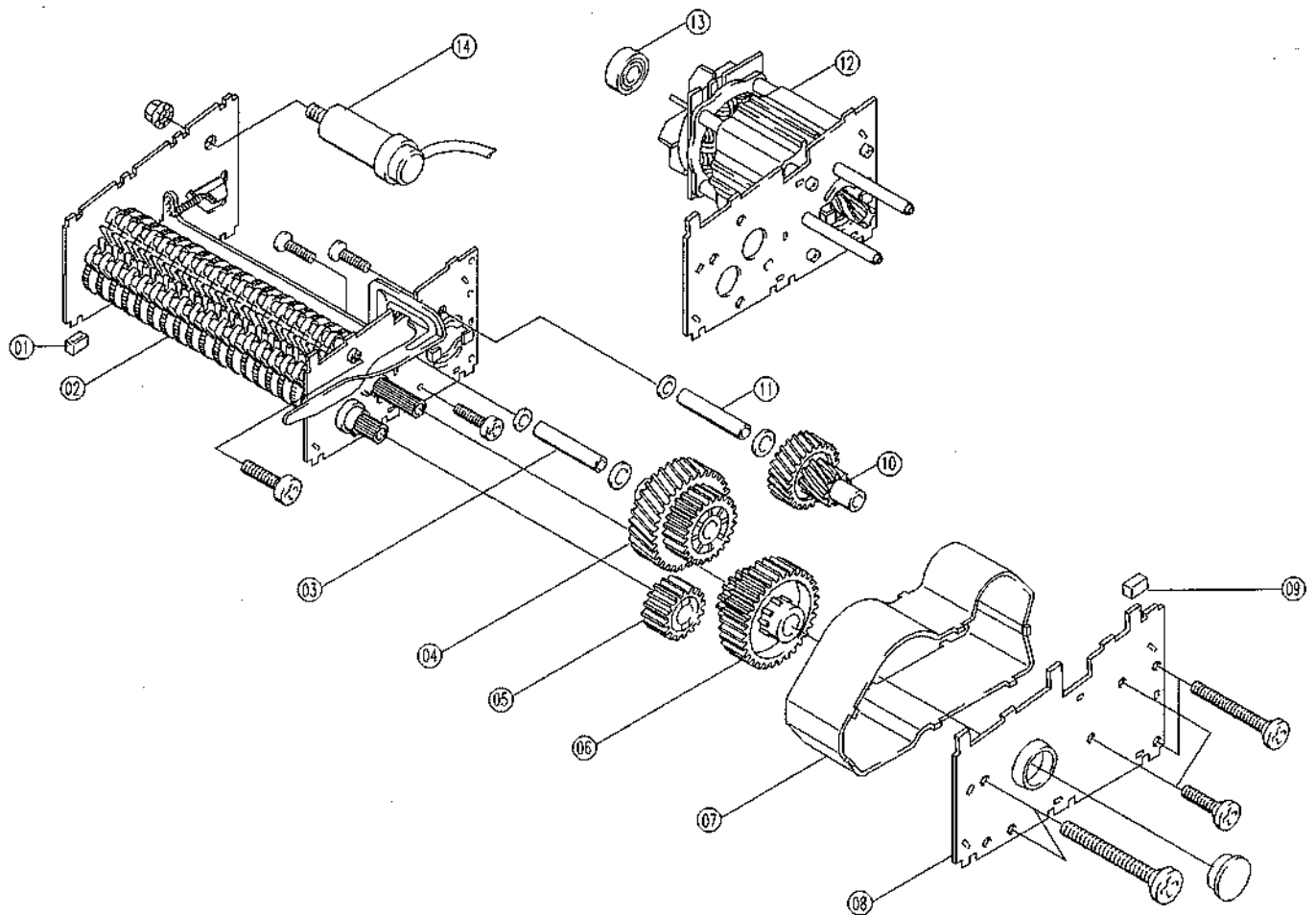
Section 8.0 3220S/3230S/3260X/3270X Parts List
3220S/3230S Exploded View Parts List
Figure 8.1

| | | | | QTY | |
|------|---------|----------|--|------|------|
| ITEM | PRT NO. | REF. NO. | DESCRIPTION | 115V | 230V |
| * | | | Warning Label | | 1 |
| * | | | Warning Label | 1 | |
| 17 | 1750922 | 3200 011 | Icon Name Plate | | 1 |
| 17 | 1751971 | 3200 012 | Icon Name Plate | 1 | |
| 16 | 1751970 | 3200 022 | Upper Insulator | 1 | 1 |
| 15 | 1751969 | 3200 015 | Lower Insulator | 1 | 1 |
| 14 | 1750923 | 3200 230 | Control Board Assy | | 1 |
| 14 | 1752015 | 3200 115 | Control Board Assy | 1 | |
| 13 | -REF- | 9002 684 | Screw | x | x |
| 12 | 1751968 | 3200 050 | Metal Partitian | 1 | 1 |
| 11 | 1751967 | 9002 879 | Power Cord | 1 | |
| 10 | 1751966 | 9002 942 | Bottom Housing Screw | x | x |
| 9 | 1751965 | 9001 993 | Rubber Pad | 4 | 4 |
| 8 | 1751966 | 9002 942 | Bottom Housing Screw | x | x |
| x | 1751964 | 9003 764 | Inner Back Pad B, Not Shown | 1 | 1 |
| x | 1751963 | 9003 763 | Inner Back Pad A, Not Shown | 1 | 1 |
| 7 | 1751962 | 3200 006 | Bottom Housing | 1 | 1 |
| 6 | 1750924 | 3200 030 | Cutting Head Assy, Complete/4mm | | 1 |
| 6 | 1751961 | 3200 036 | Cutting Head Assy, Complete/6mm | 1 | |
| 5 | 1752017 | 9003 713 | Cable For Photo Cell | 1 | 1 |
| 4 | 1751960 | 2401 010 | Transmitter Assembly <i>Cover & Lens</i> | 1 | 1 |
| 3 | 1751959 | 2000 012 | Receiver Assembly <i>Cover & Lens</i> | 1 | 1 |
| 2 | 1752018 | 9003 714 | Cable For Photo Cell | 1 | 1 |
| 1 | 1751958 | 3200 005 | Upper Cover | 1 | 1 |

* Not shown located on the bottom cover

Section 8.0 3220S/3230S/3260X/3270X Parts List
3220S/3230S Exploded View
Figure 8.2

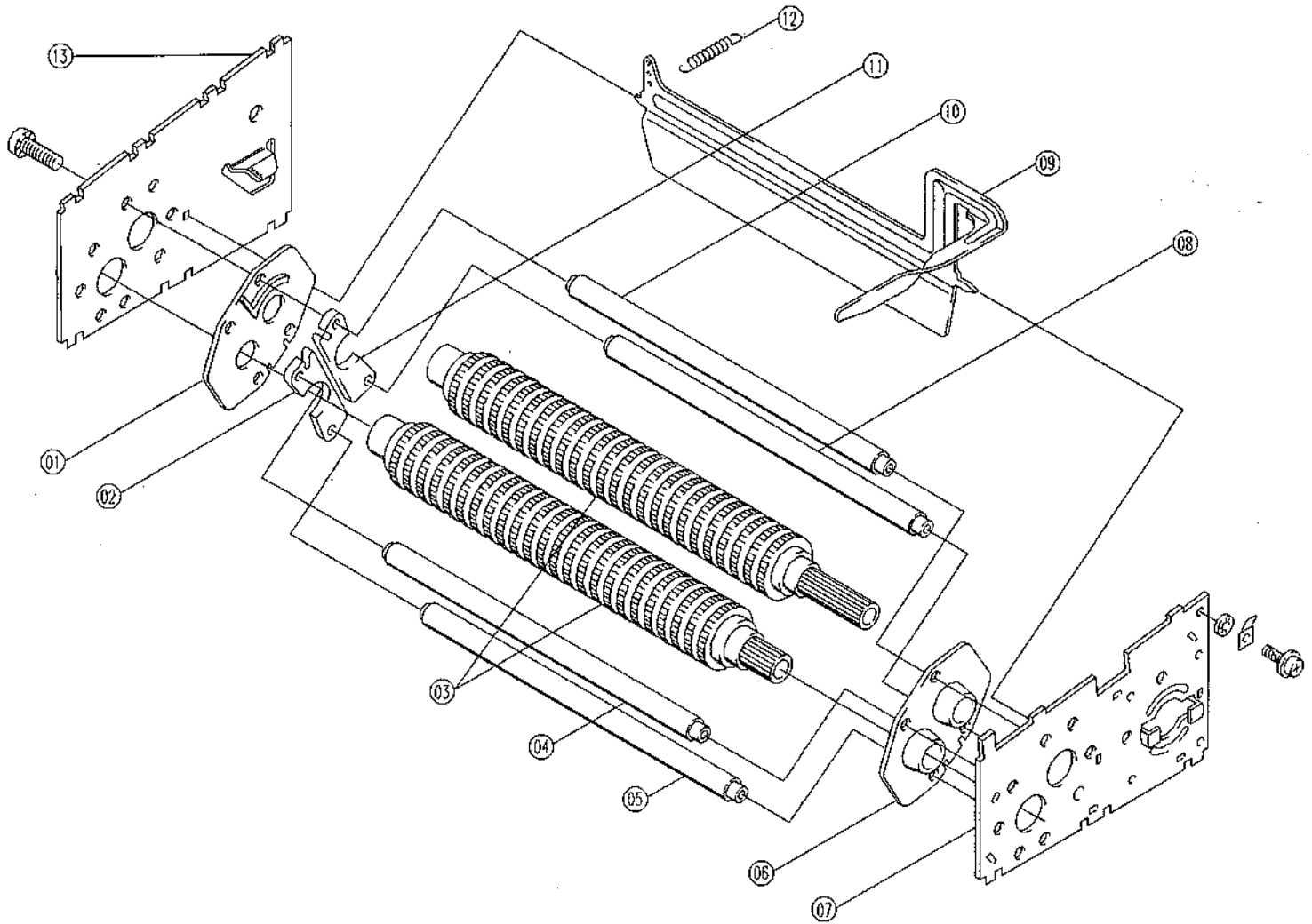
1722870 - WAVY WASHER



Section 8.0 3220S/3230S/3260X/3270X Parts List
3220S/3230S Exploded View Parts List
Figure 8.2

| | | | | QTY | |
|------|---------|----------|-------------------------------|------|------|
| ITEM | PRT NO. | REF.NO. | DESCRIPTION | 115V | 230V |
| 14 | 1750925 | 9003 740 | Capacitor | | 1 |
| 14 | 1751979 | 9003 739 | Capacitor | 1 | |
| 13 | 1751978 | 9001 621 | Bearing | 1 | 1 |
| 12 | 1750926 | 3200 062 | Motor Assy | | 1 |
| 12 | 1752016 | 3200 061 | Motor Assy | 1 | |
| 11 | 1751977 | 2401 032 | Support Shaft | 1 | 1 |
| 10 | 1752027 | 2401 026 | Helical Double Drive Gear "D" | 1 | 1 |
| 9 | 1752029 | 9003 215 | Insulator Boot | x | x |
| 8 | 1751976 | 2401 020 | Gear Box Side Frame | 1 | 1 |
| 7 | 1751975 | 2401 022 | Gear Box Cover | 1 | 1 |
| 6 | 1752026 | 2401 024 | Double Drive Gear "C" | 1 | 1 |
| 5 | 1752025 | 2401 025 | Gear "B" | 1 | 1 |
| 4 | 1752019 | 2401 027 | Double Drive Gear "A" | 1 | 1 |
| 3 | 1751977 | 2401 032 | Support Shaft | 1 | 1 |
| 2 | 1750927 | 3200 071 | Cutting Head Assy | | 1 |
| 2 | 1751974 | 3200 072 | Cutting Head Assy | 1 | |
| 1 | 1752029 | 9003 215 | Insulator Boot | x | x |

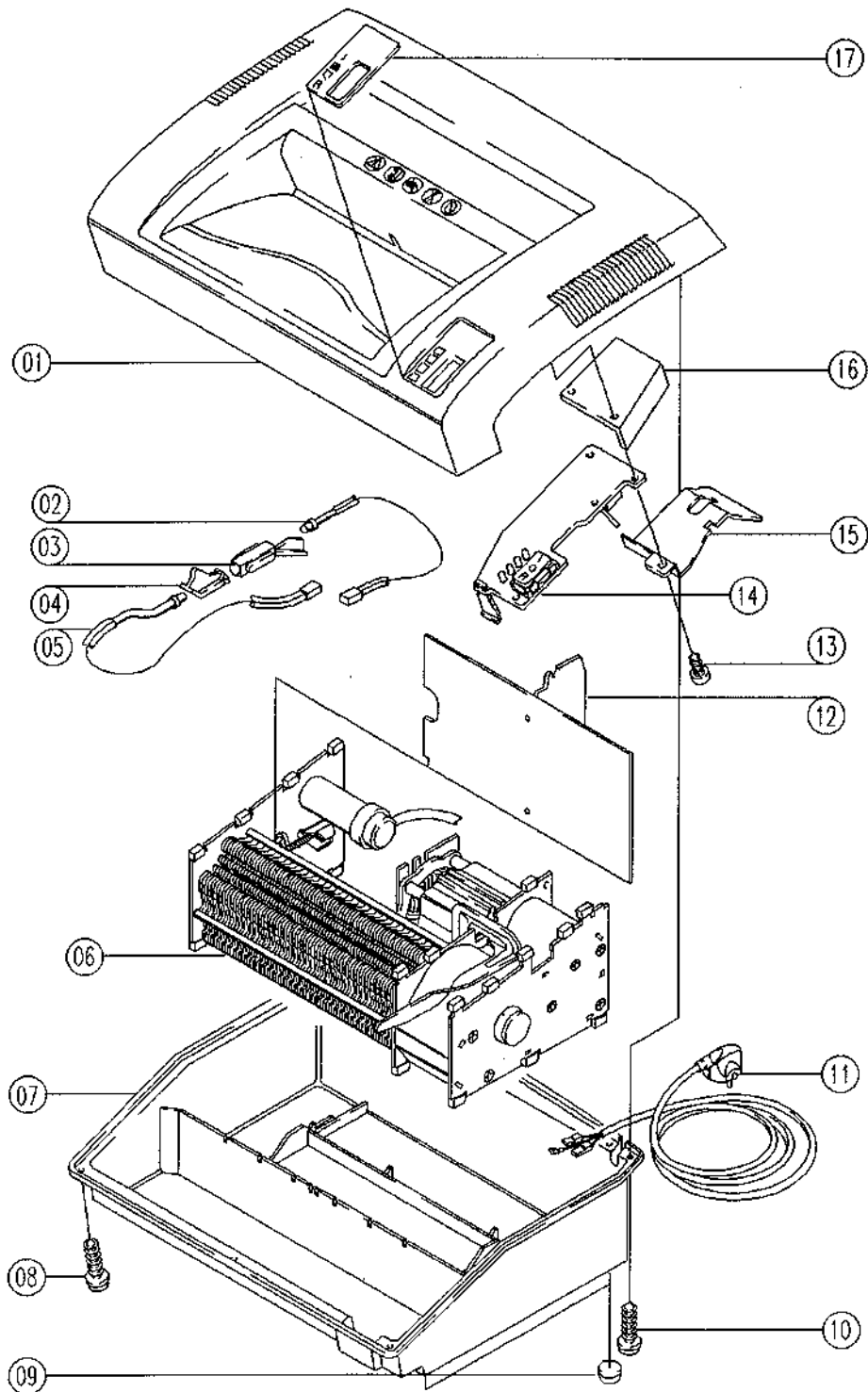
Section 8.0 3220S/3230S/3260X/3270X Parts List
3220S/3230S Exploded View
Figure 8.3



Section 8.0 3220S/3230S/3260X/3270X Parts List
3220S/3230S Exploded View Parts List
Figure 8.3

| | | | | QTY | |
|-------------|----------------|-----------------|----------------------|-------------|-------------|
| 13 | 1751987 | 2401 042 | L.H Side Frame | 1 | 1 |
| 12 | 1751986 | 9002 808 | Spring | 1 | 1 |
| 11 | 1750928 | 2401 204 | Stripper/4mm | | x |
| 11 | 1751985 | 3200 204 | Stripper/6mm | x | |
| 10 | 1751984 | 3200 040 | Stripper Support Rod | 1 | 1 |
| 9 | 1751983 | 3200 047 | Bag full Flap | 1 | 1 |
| 8 | 1751984 | 3200 040 | Stripper Support Rod | 1 | 1 |
| 7 | 1751982 | 2401 034 | R.H Side Frame | 1 | 1 |
| 6 | 1752028 | 2401 036 | Bearing | 1 | 1 |
| 5 | 1751984 | 3200 040 | Stripper Support Rod | 1 | 1 |
| 4 | 1751984 | 3200 040 | Stripper Support Rod | 1 | 1 |
| 3 | 1750929 | 3200 400 | Cutter Set/4mm | | 1 |
| 3 | 1751981 | 3200 600 | Cutter Set/6mm | 1 | |
| 2 | 1750930 | 2401 204 | Stripper/4mm | | x |
| 2 | 1751985 | 3200 204 | Stripper/6mm | x | |
| 1 | 1752028 | 2401 036 | Bearing | 1 | 1 |
| ITEM | PRT NO. | REF. NO. | DESCRIPTION | 115V | 230V |

Section 8.0 3220S/3230S/3260X/3270X Parts List
3260X/3270X Exploded View
Figure 8.4

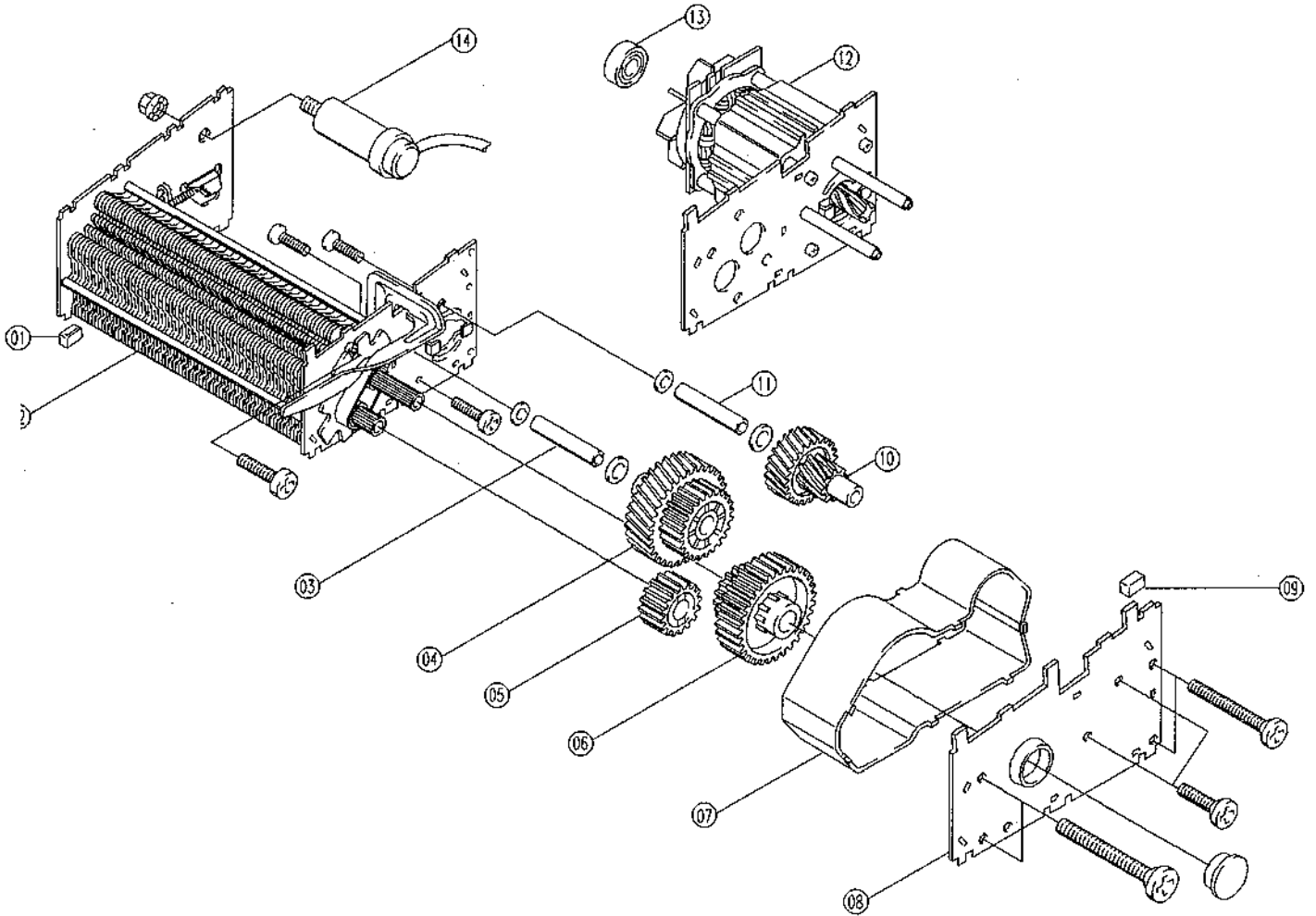


Section 8.0 3220S/3230S/3260X/3270X Parts List
3260X/3270X Exploded View Parts List
Figure 8.4

| | | | | QTY | |
|-------------|----------------|-----------------|------------------------------------|-------------|-------------|
| * | | | Warning Label | | 1 |
| * | | | Warning Label | 1 | |
| 17 | 1750931 | 3200 013 | Icon Name Plate | | 1 |
| 17 | 1751973 | 3200 014 | Icon Name Plate | 1 | |
| 16 | 1751970 | 3200 022 | Upper Insulator | 1 | 1 |
| 15 | 1751969 | 3200 015 | Lower Insulator | 1 | 1 |
| 14 | 1750923 | 3200 230 | Control Board Assy | | 1 |
| 14 | 1752015 | 3200 115 | Control Board Assy | 1 | |
| 13 | -REF- | 9002 684 | Screw | x | x |
| 12 | 1751968 | 3200 050 | Metal Partitian | 1 | 1 |
| 11 | 1751967 | 9002 879 | Power Cord | 1 | |
| 10 | 1751966 | 9002 942 | Bottom Housing Screw | x | x |
| 9 | 1751965 | 9001 993 | Rubber Pad | 4 | 4 |
| 8 | 1751966 | 9002 942 | Bottom Housing Screw | x | x |
| x | 1751964 | 9003 764 | Inner Back Pad B, Not Shown | 1 | 1 |
| x | 1751963 | 9003 763 | Inner Back Pad A, Not Shown | 1 | 1 |
| 7 | 1751962 | 3200 006 | Bottom Housing | 1 | 1 |
| 6 | 1750932 | 3200 530 | Cutting Head Assy, Complete/2x15mm | | 1 |
| 6 | 1751972 | 3200 331 | Cutting Head Assy, Complete/4x40mm | 1 | |
| 5 | 1752017 | 9003 713 | Cable For Photo Cell | 1 | 1 |
| 4 | 1751960 | 2401 010 | Transmitter Assembly | 1 | 1 |
| 3 | 1751959 | 2000 012 | Receiver Assembly | 1 | 1 |
| 2 | 1752018 | 9003 714 | Cable For Photo Cell | 1 | 1 |
| 1 | 1751958 | 3200 005 | Upper Cover | 1 | 1 |
| ITEM | PRT NO. | REF. NO. | DESCRIPTION | 115V | 230V |

* Not shown located on the bottom cover

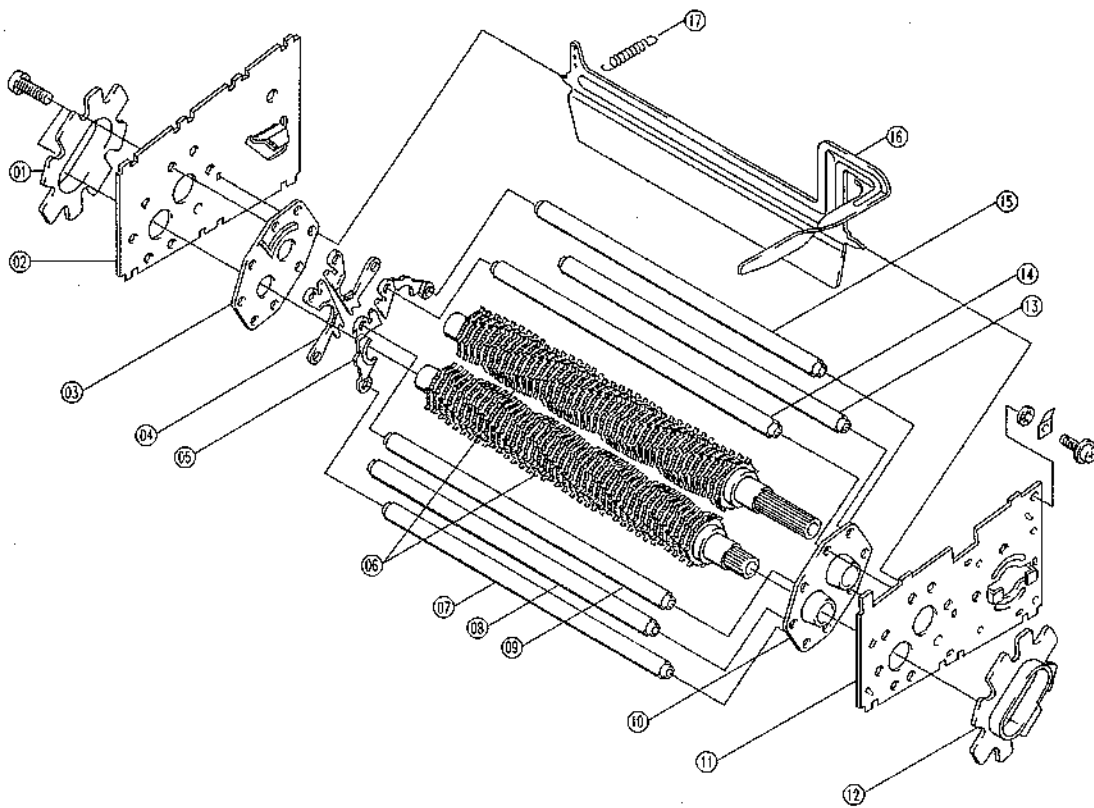
Section 8.0 3220S/3230S/3260X/3270X Parts List
3260X/3270X Exploded View
Figure 8.5



Section 8.0 3220S/3230S/3260X/3270X Parts List
3260X/3270X Exploded View Parts List
Figure 8.5

| | | | | QTY | |
|------|---------|----------|-------------------------------|------|------|
| ITEM | PRT NO. | REF.NO. | DESCRIPTION | 115V | 230V |
| 14 | 1750925 | 9003 740 | Capacitor | | 1 |
| 14 | 1751979 | 9003 739 | Capacitor | 1 | |
| 13 | 1751978 | 9001 621 | Bearing | 1 | 1 |
| 12 | 1750926 | 3200 062 | Motor Assy | | 1 |
| 12 | 1752016 | 3200 061 | Motor Assy | 1 | |
| 11 | 1751977 | 2401 032 | Support Shaft | 1 | 1 |
| 10 | 1752027 | 2401 026 | Helical Double Drive Gear "D" | 1 | 1 |
| 9 | 1752029 | 9003 215 | Insulator Boot | x | x |
| 8 | 1751976 | 2401 020 | Gear Box Side Frame | 1 | 1 |
| 7 | 1751975 | 2401 022 | Gear Box Cover | 1 | 1 |
| 6 | 1752066 | 2401 529 | Double Drive Gear "C" | 1 | 1 |
| 5 | 1752025 | 2401 025 | Gear "B" | 1 | 1 |
| 4 | 1752065 | 2401 528 | Double Drive Gear "A" | 1 | 1 |
| 3 | 1751977 | 2401 032 | Support Shaft | 1 | 1 |
| 2 | 1750933 | 3200 535 | Cutting Head Assy/2x15mm | | 1 |
| 2 | 1751980 | 3200 335 | Cutting Head Assy/4x40mm | 1 | |
| 1 | 1752029 | 9003 215 | Insulator Boot | x | x |

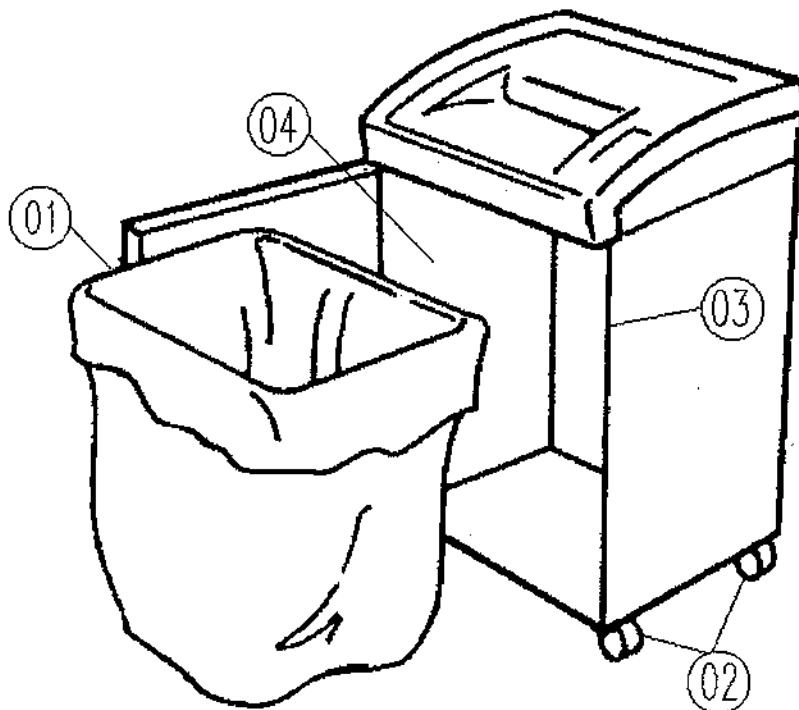
Section 8.0 3220S/3230S/3260X/3270X Parts List
3260X/3270X Exploded View
Figure 8.6



Section 8.0 3220S/3230S/3260X/3270X Parts List
3260X/3270X Exploded View Parts List
Figure 8.6

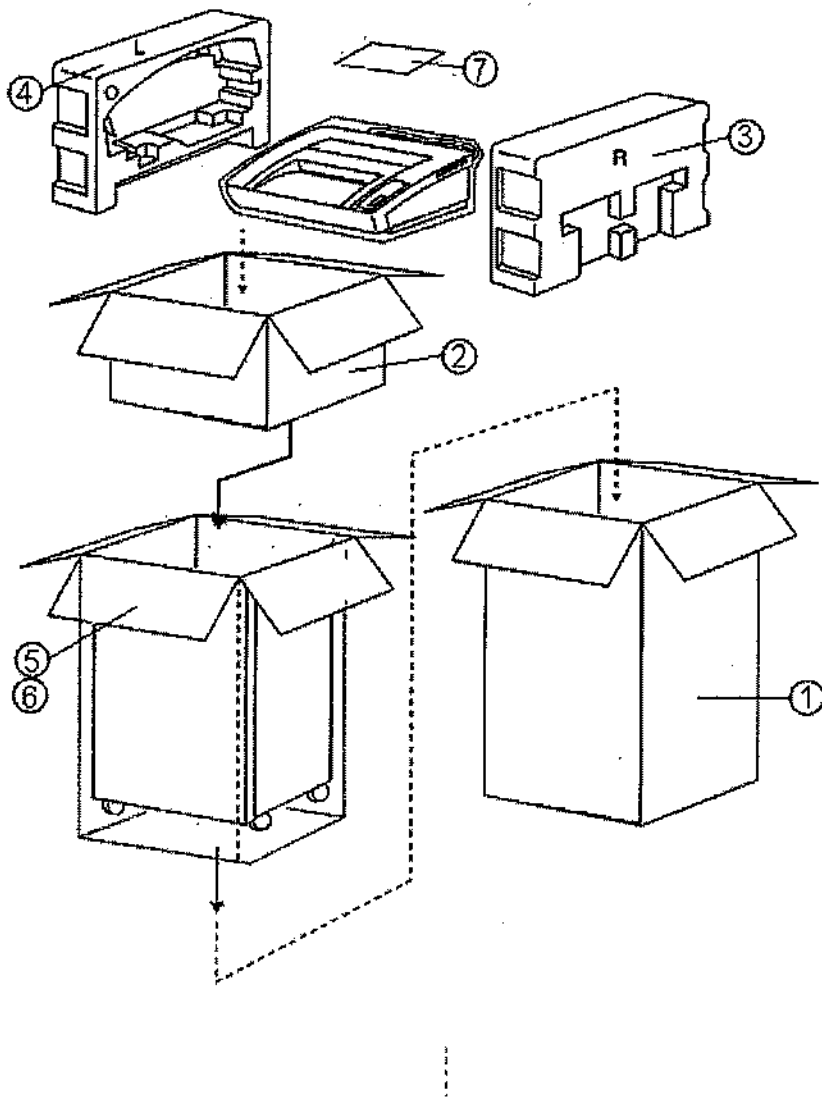
| | | | | QTY | |
|-------------|----------------|-----------------|-----------------------|-------------|-------------|
| 17 | 1751994 | 2401 510 | Spring | 1 | 1 |
| 16 | 1751983 | 3200 047 | Bag full Flap | 1 | 1 |
| 15 | 1751984 | 3200 040 | Stripper Support Rod | 1 | 1 |
| 14 | 1751984 | 3200 040 | Stripper Support Rod | 1 | 1 |
| 13 | 1751984 | 3200 040 | Stripper Support Rod | 1 | 1 |
| 12 | 1751993 | 2401 503 | Bearing Cap Support | 1 | 1 |
| 11 | 1751982 | 2401 034 | R.H Side Frame | 1 | 1 |
| 10 | 1751992 | 2401 535 | Bearing | | 1 |
| 10 | 1751991 | 3200 301 | Bearing | 1 | |
| 9 | 1751984 | 3200 040 | Stripper Support Rod | 1 | 1 |
| 8 | 1751984 | 3200 040 | Stripper Support Rod | 1 | 1 |
| 7 | 1751984 | 3200 040 | Stripper Support Rod | 1 | 1 |
| 6 | 1750934 | 3200 550 | Cutter Set/2x15mm | | 1 |
| 6 | 1751990 | 3200 350 | Cutter Set/4x40mm | 1 | |
| 5 | 1750935 | 2401 505 | Stripper/Outer 2X15mm | | x |
| 5 | 1751989 | 3200 505 | Stripper/Outer4X40mm | x | |
| 4 | 1750936 | 2401 504 | Stripper/Inner 2x15mm | | x |
| 4 | 1751988 | 3200 504 | Stripper/Inner 4X40mm | x | |
| 3 | 1752067 | 2401 535 | Bearing Bushing | 1 | 1 |
| 2 | 1751987 | 2401 042 | L.H Side Frame | 1 | 1 |
| 1 | 1751993 | 2401 503 | Bearing Cap Support | 1 | 1 |
| ITEM | PRT NO. | REF. NO. | DESCRIPTION | 115V | 230V |

Section 8.0 3220S/3230S/3260X/3270X Parts List
3220S/3230S/3260X/3270X Cabinet Exploded View
Figure 8.7



| ITEM | PRT NO. | REF. NO. | DESCRIPTION | QTY | |
|------|---------|----------|------------------|------|------|
| | | | | 115V | 230V |
| * | 1752728 | | Cabinet Door | 1 | 1 |
| 4 | 1752002 | | Cabinet Complete | 1 | 1 |
| 3 | 1760042 | | Magnet | 1 | 1 |
| 2 | 1752124 | 1752134 | Castor | 4 | 4 |
| 1 | 1752006 | | Bag Rim | 1 | 1 |
| ITEM | PRT NO. | REF. NO. | DESCRIPTION | 115V | 230V |

Section 8.0 3220S/3230S/3260X/3270X Parts List
3220S/3230S/3260X/3270X Packaging Exploded View
Figure 8. 8



| | | | | QTY | |
|------|---------|----------|--|------|------|
| 7 | | | Operator Manual, International | | 1 |
| 7 | 1751956 | | Operator Manual, U.S | 1 | |
| 6 | 1751957 | | Honey Comb Insert Complete, Cabinet Box | 1 | 1 |
| 5 | 1751999 | | Cabinet Box | 1 | 1 |
| 4 | 1751998 | | Styrofoam L.H, Shredder Head | 1 | 1 |
| 3 | 1751997 | | Styrofoam R.H, Shredder Head | 1 | 1 |
| 2 | 1751996 | | Shredder Head Carton | 1 | 1 |
| 1 | 1751995 | | Master Carton | 1 | 1 |
| ITEM | PRT NO. | REF. NO. | DESCRIPTION | 115V | 230V |