

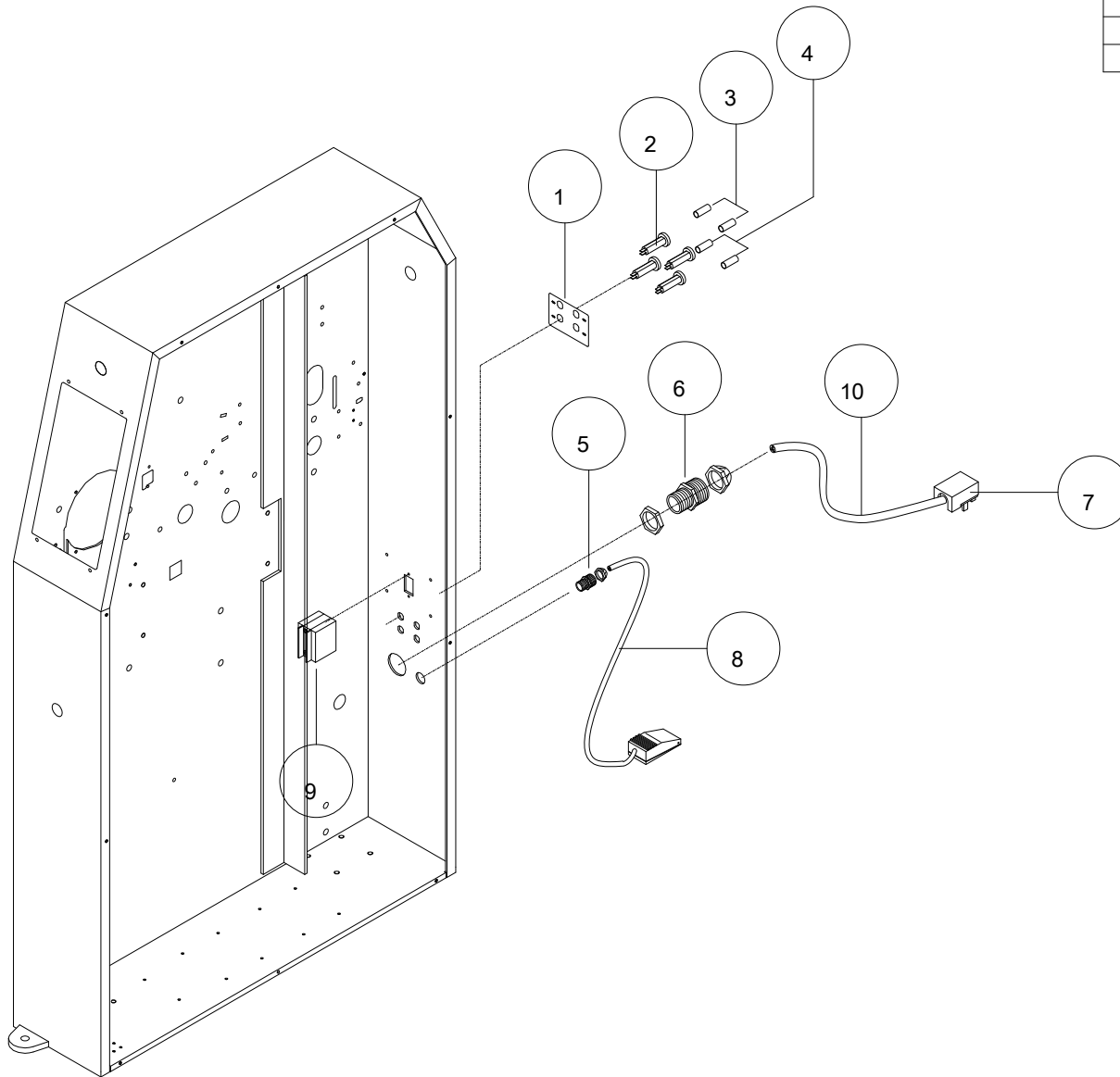
MODEL : GBC 3064WF-1 (2009.4.08)

Rev : 0

GBC 3064WF-1 (08. 07 / Rev 0.0)

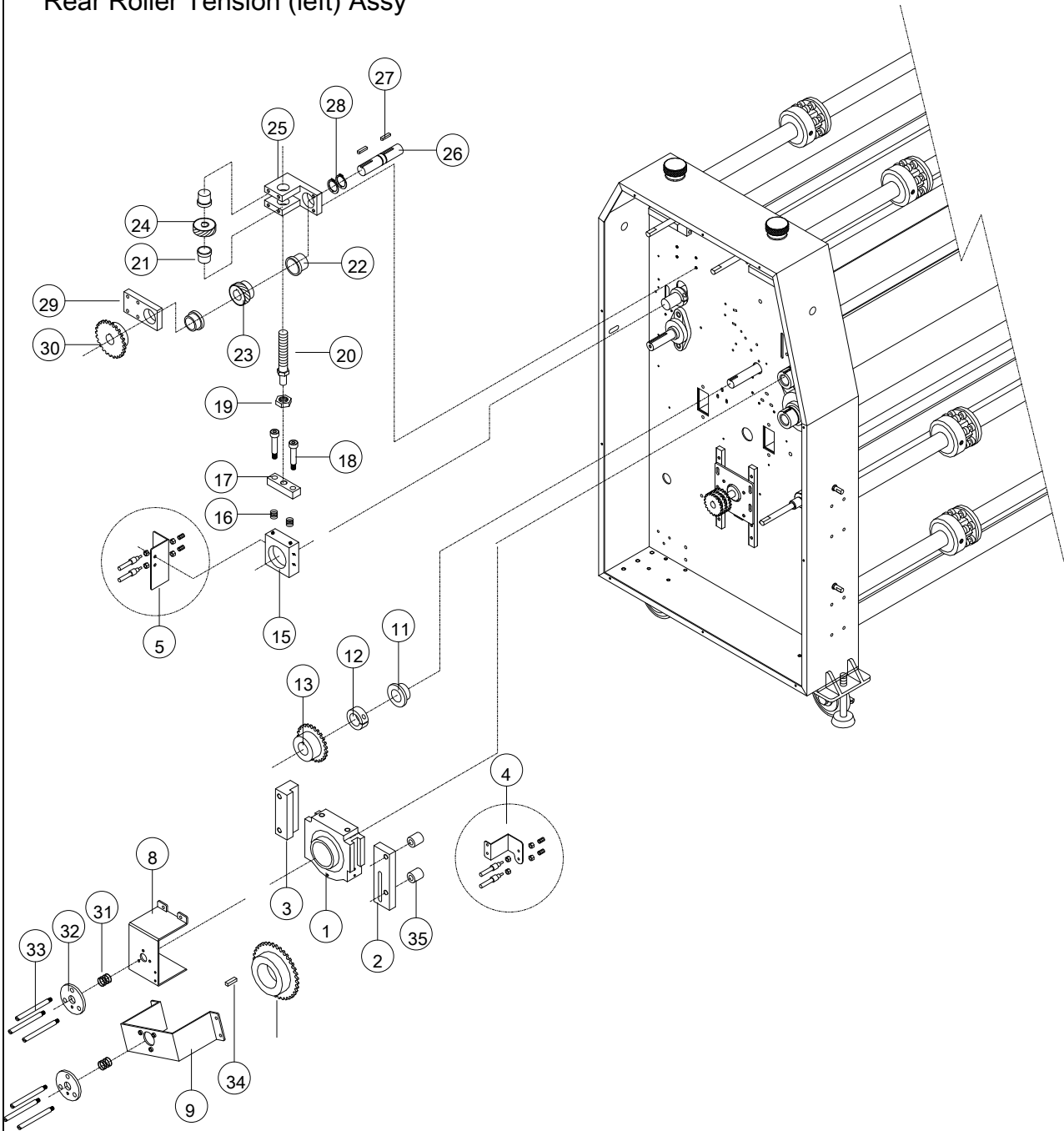
Power Cord Assy'

Item No.	Part No.	Part name	Spec	Quantity
1	811200226	G40 FUSE STICKER	PC0.3T 86*59.6	1EA
2	637000002	FUSE HOLDER	f12.5*20mm250V10A	4EA
3	636900056	GLASS TUBE FUSE 20mm	5*20 3.0A 250V	3EA
4	636900061	GLASS TUBE FUSE 20mm	5*20 6.3A 250V	1EA
5	636400024	CORD STOPPER	PG11	1EA
6	636400028	CORD STOPPER	PG29	1EA
7	637300014	POWER CORD PLUG	400V50A(2P) USA	1EA
8	637400023	FOOT SW	500-AH	1EA
9	637400019	CIRCUIT BREAKER S/W	CC2-B0-26-650-21J-D	1EA
10	636300002	CORD CABLE UL/600V	SOW,16063/600V,10AWG	1EA

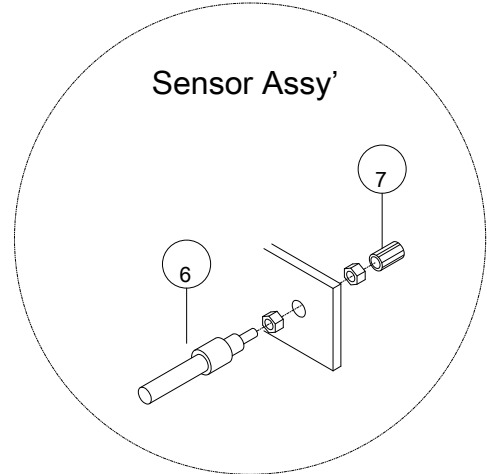


GBC 3064WF-1 (08. 07 / Rev 0.0)

Rear Roller Tension (left) Assy'

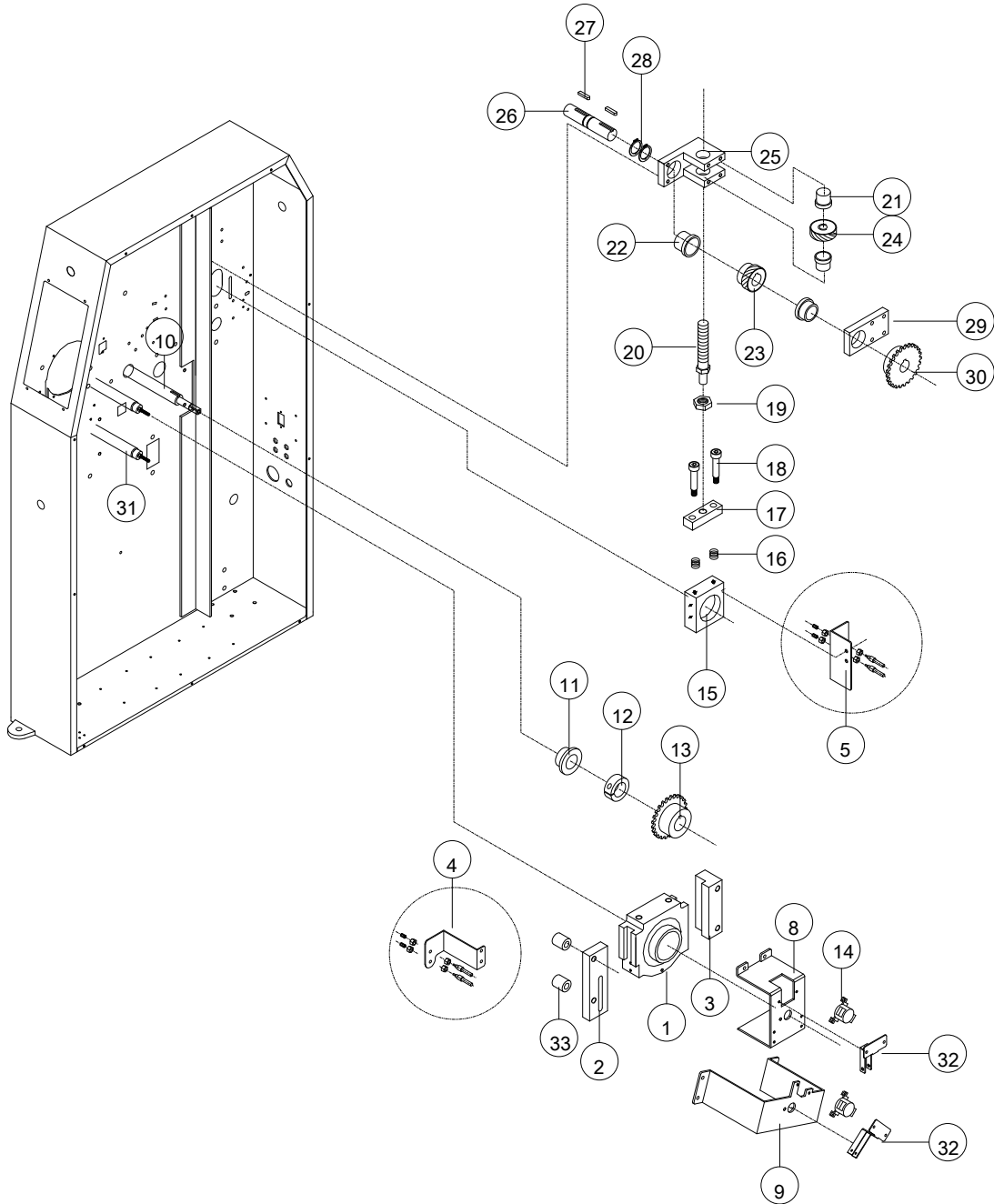


No.	Parts Code	Item	Spec	Quantity
1	635400228	G30 HR ROLLER BEARING	UCT210/36CR-H0050-H	1EA
2	632504572	HR BEARING GUIDE BLOCK(FRONT)	S45C 40*125*15.6	1EA
3	632504573	HR BEARING GUIDE BLOCK(REAR)	S45C 38*100*29.5	1EA
4	630500672	G30 FIBER SENSOR BRK(H/LEFT)	SPC 1.5T 51*54*46	1EA
5	630500688	FIBER SENSOR BRACKET(REAR/L)	1.5T 26.5*71/36CR-S0020	1EA
6	637400230	FIBER	FOK-T003-5.0	4EA
7	637400232	LENSE	FE-PA-L1	4EA
8	630500666	G30 HEATER SUPPORT(UP/L)	SPC 3.0T 75*131*53	1EA
9	630500668	G30 HEATER SUPPORT(LOW/L)	SPC 3.0T 55*183*99.9	1EA
10	635800466	G4064 H/ROLLER SPROCKET	RS35 36T*F50*21.5(KEY)	1EA
11	632500383	BUSH(PULL ROLLER LIFT SHAFT	MC(BLACK) F35*F25*11	1EA
12	632500387	PULL ROLLER LIFT SHAFT COLLAR	S20C F40*F25*15	1EA
13	635800131	LIFT SPROCKET(FOR HANDLE)	RS35 24T*F50*F25	1EA
14	632500395	FALCON PULL ROLLER BUSH	Bs F45*F30*25	1EA
15	632504612	G30 P/R PRESSURE BLOCK	S45C F30*55*60*25	1EA
16	810400196	PULL ROLLER SPRING(SPRING)	2.0T*F11.3*F19.7*26MM	2EA
17	632504611	G30 P/R PRESSURE PLATE	S45C 20*16*15*M12*1.25	1EA
18	632504618	G30 PR PRESSURE STRIPPER BOLT	S45C F16*58.5	2EA
19	810100098	NUT	M12*1.25P(3CLASS)	1EA
20	632500502	LIFT SCREW	Tr16 19*114.5	1EA
21	635600027	OILLESS BUSHING	SFB 1615	2EA
22	635600029	OILLESS BUSHING	SFB 2015	2EA
23	635800005	LIFT HELICAL GEAR	M1.25 25.5*F30*F20	1EA
24	635800004	IDLE HELICAL GEAR	M1.25 12.5*Tr16	1EA
25	632500392	FALCON LIFT GEAR BLOCK	AL6061 89*44.5*59	1EA
26	632500393	FALCON LIFT GEAR SHAFT	S45C F20*98	1EA
27	632500456	E/M KEY	5*5*15mm	2EA
28	810400071	SPRING S RING	20	2EA
29	632500391	FALCON LIFT GEAR BLOCK COVER	AL6061 86*44.5*12.5	1EA
30	635800130	LIFT SPROCKET(FOR GEAR)	RS35H 26T*F50*F20	1EA
31	810400244	G4064 HEATER SPRING	SUS 2.0T F35*38	2EA
32	630500670	G30 HEATER SPRING PLATE	SPC 5.0T F60*F16.2	2EA
33	632501202	TRIMMER	f10*f6*24	6EA
34	632501601	KEY	S45C 6*6*25	1EA
35	632504584	G30 BEARING GUIDE BLOCK BOSS	S45C F20*F10.5*22.4	2EA

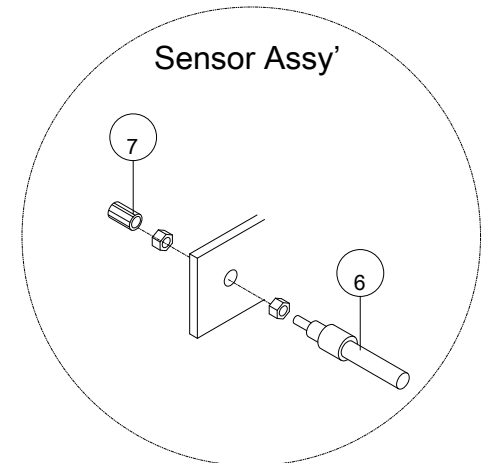


GBC 3064WF-1 (08. 07 / Rev 0.0)

Rear Roller Tension (right) Assy'

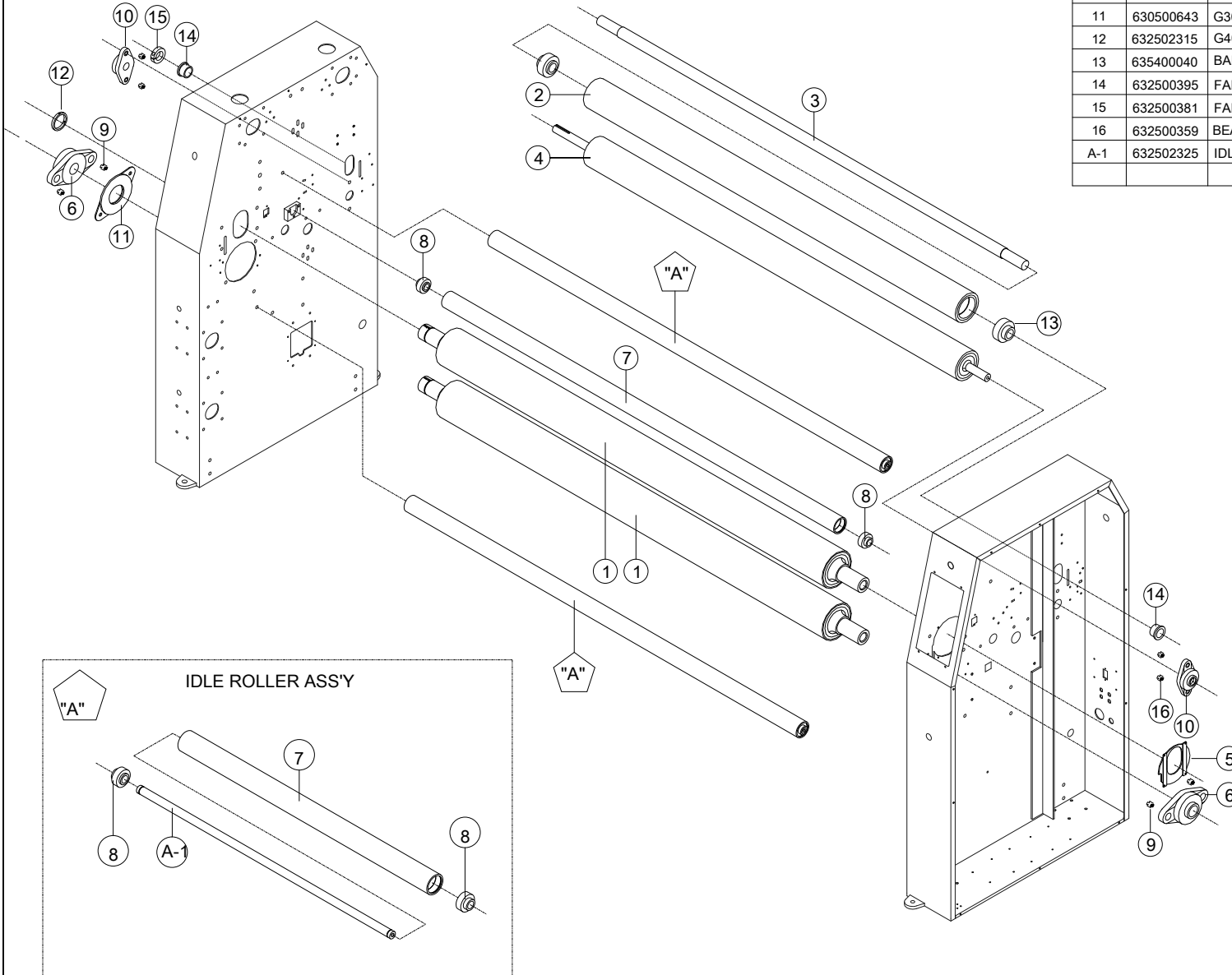


No.	Parts Code	Item	Spec	Quantity
1	635400229	G30 HR ROLLER BEARING(R)	UCT210/36CR-H0050-H	1EA
2	632504572	HR BEARING GUIDE BLOCK(FRONT)	S45C 40*125*15.6	1EA
3	632504573	HR BEARING GUIDE BLOCK(REAR)	S45C 38*100*29.5	1EA
4	630500671	G30 FIBER SENSOR BRK(H/RIGHT)	SPC 1.5T 51*54*70	1EA
5	630500689	FIBER SENSOR BRACKET(REAR/R)	1.5T 26.5*71/36CR-S0020	1EA
6	637400231	FIBER	FOK-T003-3.0	4EA
7	637400232	LENSE	FE-PA-L1	4EA
8	630500667	G30 HEATER SUPPORT(UP/R)	SPC 3.0T 75*131*77	1EA
9	630500669	G30 HEATER SUPPORT(LOW/R)	SPC 3.0T 55*183*123.4	1EA
10	632502362	PULL ROLLER LIFT CRANK SHAFT	S45C F25*2040/3064H640	1EA
11	632500383	BUSH PULL ROLLER LIFT SHAFT	MC(BLACK) F35*F25*11	1EA
12	632500387	PULL ROLLER LIFT SHAFT COLLAR	S20C F40*F25*15	1EA
13	635800131	LIFT SPROCKET(FOR HANDLE)	RS35 24T*F50*F25	1EA
14	637800010	BI-METAL THERMOSTAT	60T21 (250V15A 120°C)	2EA
15	632504612	G30 P/R PRESSURE BLOCK	S45C F30*55*60*25	1EA
16	810400196	PULL ROLLER SPRING(SPRING)	2.0T*F11.3*F19.7*26MM	2EA
17	632504611	G30 P/R PRESSURE PLATE	S45C 20*16*15*M12*1.25	1EA
18	632504618	G30 PR PRESSURE STRIPPER BOLT	S45C F16*58.5	2EA
19	810100098	NUT	M12*1.25P(3CLASS)	1EA
20	632500502	LIFT SCREW	Tr16 19*114.5	1EA
21	635600027	OILLESS BUSHING	SFB 1615	2EA
22	635600029	OILLESS BUSHING	SFB 2015	2EA
23	635800005	LIFT HELICAL GEAR	M1.25 25.5*F30*F20	1EA
24	635800004	IDLE HELICAL GEAR	M1.25 12.5*Tr16	1EA
25	632500392	FALCON LIFT GEAR BLOCK	AL6061 89*44.5*59	1EA
26	632500393	FALCON LIFT GEAR SHAFT	S45C F20*98	1EA
27	632500456	E/M KEY	5*5*15mm	2EA
28	810400071	SPRING S RING	20	2EA
29	632500391	FALCON LIFT GEAR BLOCK COVER	AL6061 86*44.5*12.5	1EA
30	635800130	LIFT SPROCKET(FOR GEAR)	RS35H 26T*F50*F20	1EA
31	637200010	G2064 SHEATH HEATER	F6*2011(4200W)	2EA
32	630500712	G30 THERMOSTAT BRACKET	1.5T 50*71/36CR-H0070	2EA
33	632504584	G30 BEARING GUIDE BLOCK BOSS	S45C F20*F10.5*22.4	2EA



GBC 3064WF-1 (08. 07 / Rev 0.0)

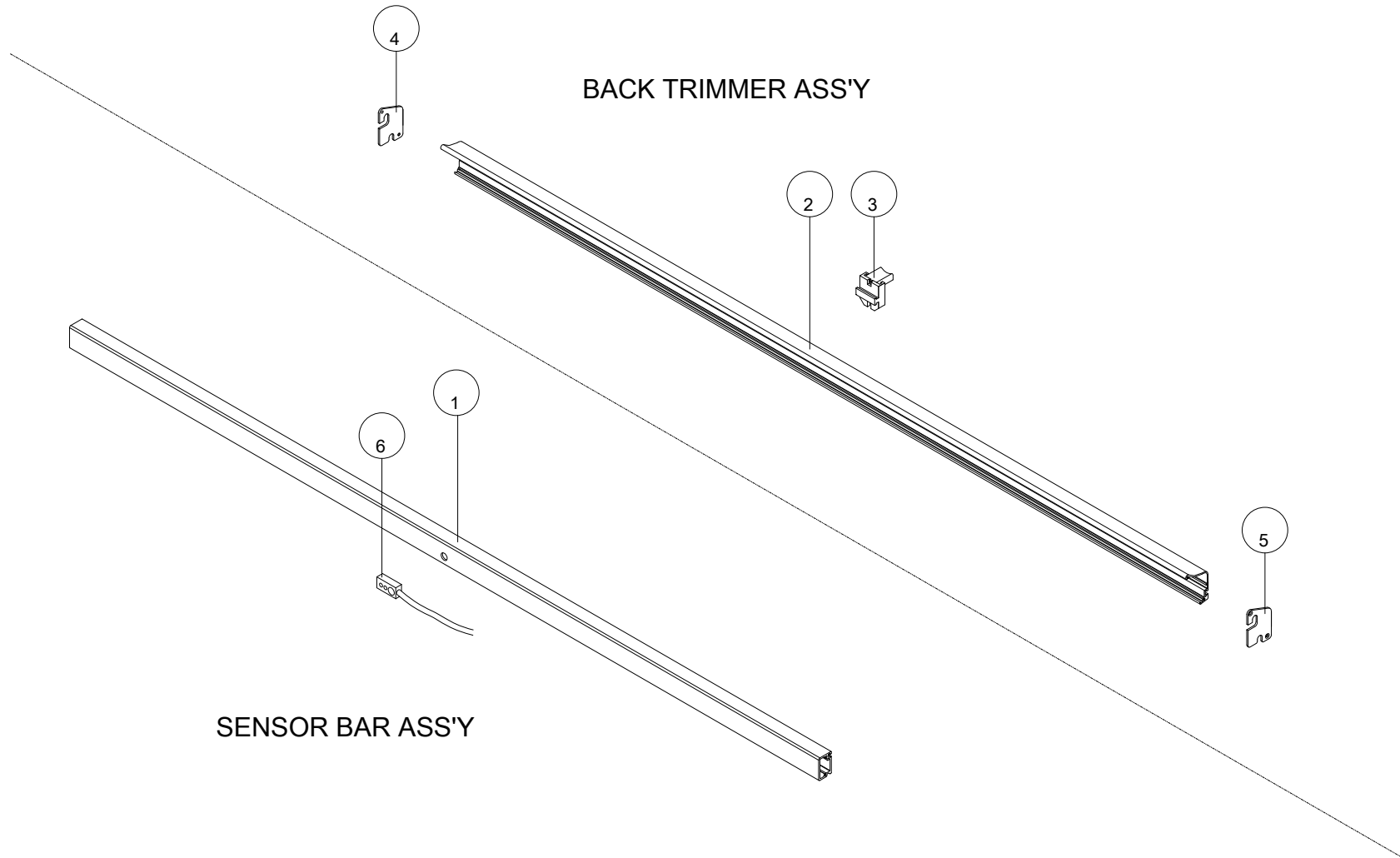
Roller Assy'



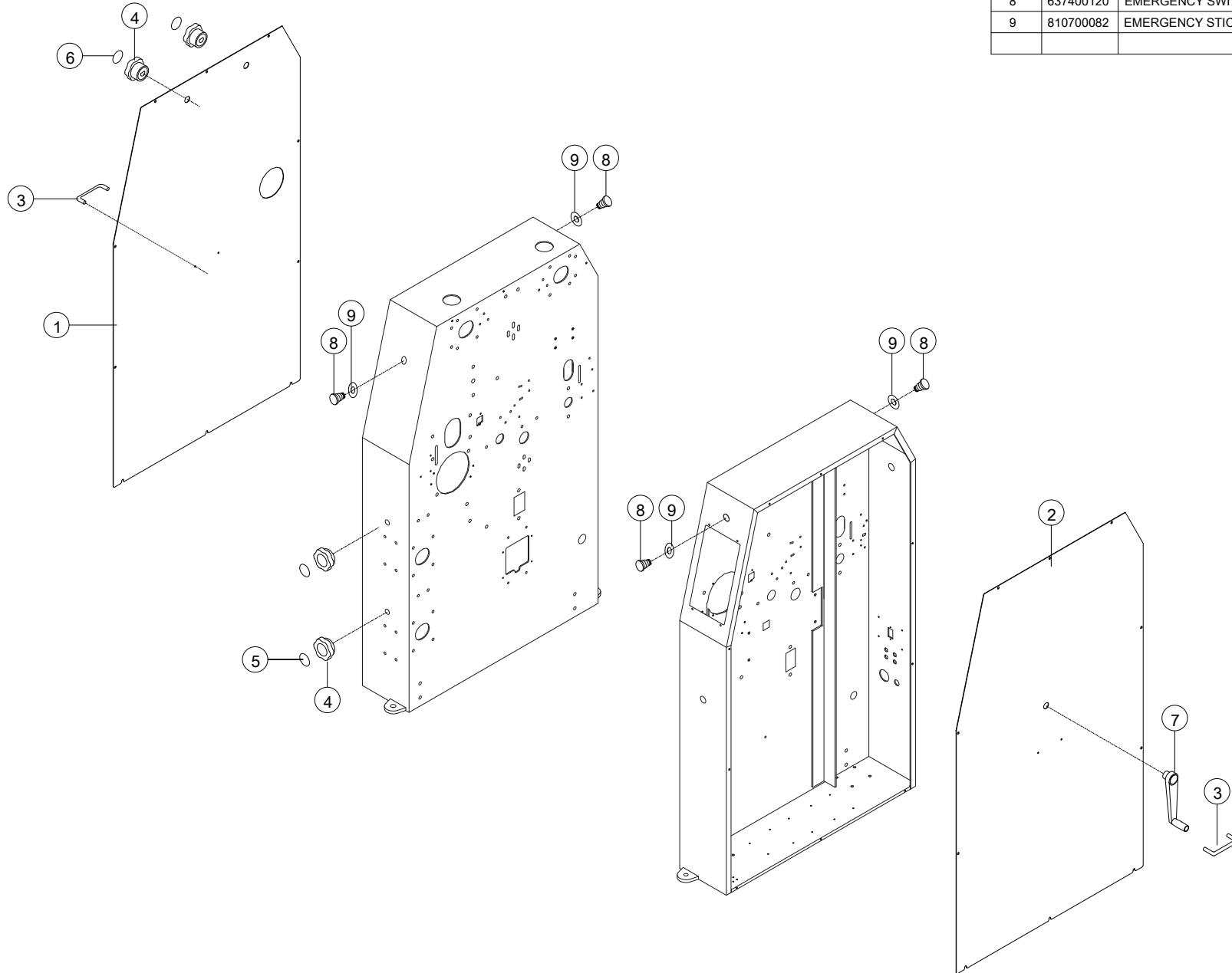
No.	Parts Code	Item	Spec	Quantity
1	631800395	GBC4064 HEAT ROLLER	1902*F127*1670(601-45)	2EA
2	631800397	G3064 PULL ROLLER(UPPER)	F101.6*1608(201-45 G)	1EA
3	632504601	G30 PULL ROLLER SHAFT	S45C F35*1836*F30	1EA
4	631800396	G3064 PULL ROLLER(DRIVE)	1870*F101.6*1608	1EA
5	630500642	G30 ROLLER HOLE COVER(UP)	3.2T+2.0T F134*91*112	1EA
6	635400117	UNIT BEARING	UCFL 210	2EA
7	632502323	G4064 IDLE ROLLER(PL)	STKM5.0T F55*1695.5	3EA
8	635400119	UNIT BEARING	UR204	6EA
9	632500360	BEARING SPACER(HEAT ROLLER)	Bs F18.9*F10*15.5	4EA
10	635400118	UNIT BEARING	UCFL 205	2EA
11	630500643	G30 ROLLER HOLE COVER(LOW)	SPC3.2T+5.0T F134*157	1EA
12	632502315	G4064 ROLLER SPACER	F60*F50.1*7.5/4064H030	1EA
13	635400040	BALL BEARING	UR 207	2EA
14	632500395	FALCON PULL ROLLER BUSH	Bs F45*F30*25	2EA
15	632500381	FALCON LOCK COLLAR	S45C F50*F30*12.5	1EA
16	632500359	BEARING SPACER(PULL ROLLER)	Bs F15.9*F10*14.5	4EA
A-1	632502325	IDLE ROLLER SUPPORT BAR(PL)	S45C F20*1710/4064H111	2EA

GBC 3064WF-1 (08. 07 / Rev 0.0)
 Sensor Bar & Back Trimmer Assy'

No.	Parts Code	Item	Spec	Quantity
1	633600791	G2064 SENSOR BAR	AL 6063 44.5*29*1709	1EA
2	633600132	ORCA-64 BLADE RAIL	AL 70*51.2*1697	1EA
3	639900015	EAGLE BACK TRIMMER ASS'Y	EAGLE/DISCOVERY	1EA
4	630500452	G4064 BACK TRIM BRACKET(L)	SPC3.0T 76.6*53(GY0806)	1EA
5	630500453	G4064 BACK TRIM BRACKET(R)	SPC3.0T 76.6*53(GY0806)	1EA
6	639400018	INFRARED SENSOR ASS'Y(ROHS)	A2 TPMI 334-OAA2250	1EA



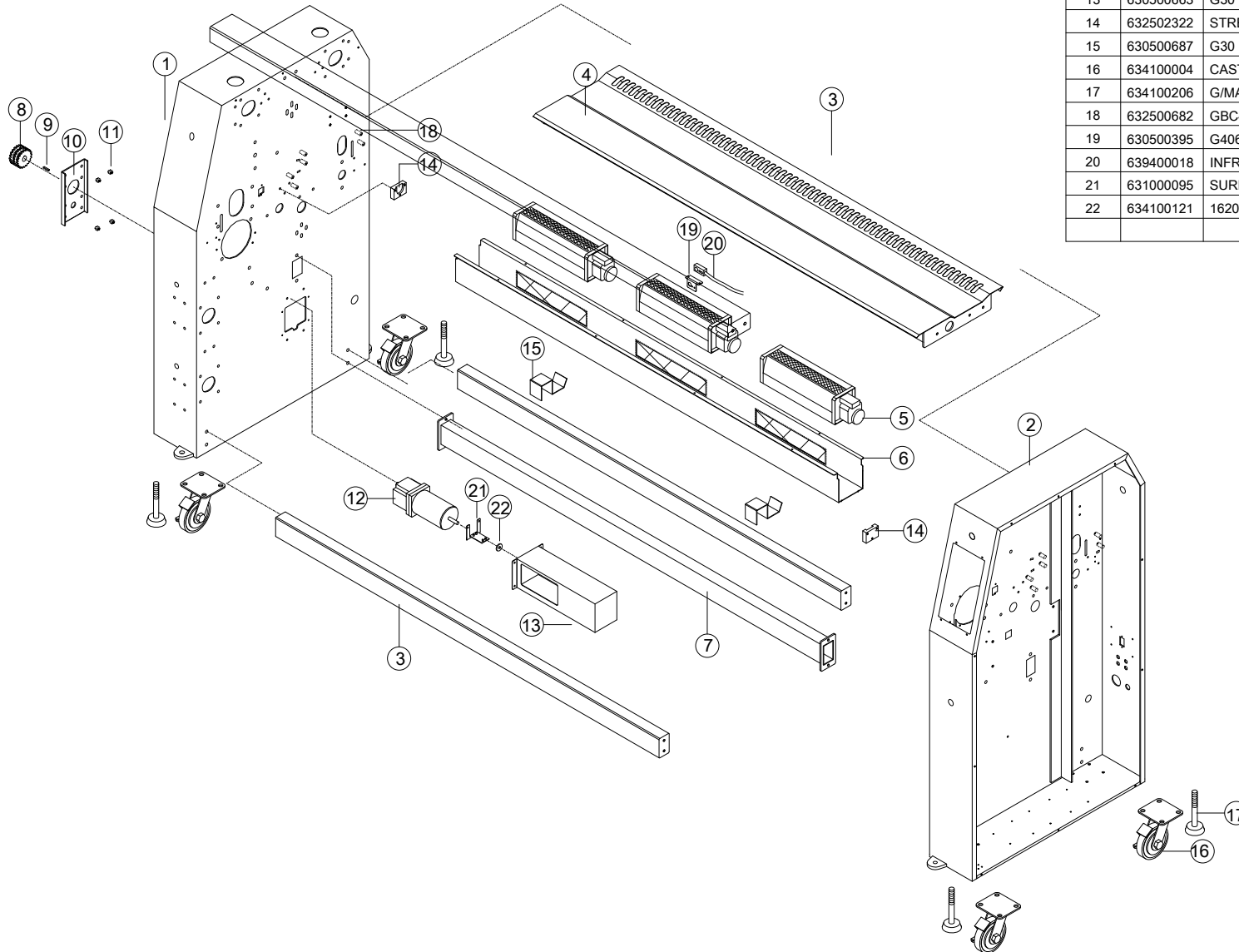
GBC 3064WF-1 (08. 07 / Rev 0.0)
Side Cover Assy'



No.	Parts Code	Item	Spec	Quantity
1	630500424	G3064 SIDE COVER(LEFT)	SPC1.5T 1285.5*761	1EA
2	630500425	G3064 SIDE COVER(RIGHT)	SPC1.5T 1285.5*761	1EA
3	634100016	U-HANDLES(JAGUAR)	RD8*95	4EA
4	633200005	ORCA-64 TENSION HANDLE	PC F75*F15*30 (WHITE)	4EA
5	810700176	ORCA-64 TENSION KNOB STICKER	PC0.3T F45 (WHITE)	2EA
6	810700323	COMBO TENSION KNOB STICKER	PC0.3T F44/4064L910	2EA
7	634100018	CRANK HANDLE	CRK-A128	1EA
8	637400120	EMERGENCY SWITCH	AR22V22R-02R/400V	4EA
9	810700082	EMERGENCY STICKER(SURELAM)	PC0.4T*F54*F28	4EA

GBC 3064WF-1 (08. 07 / Rev 0.0)

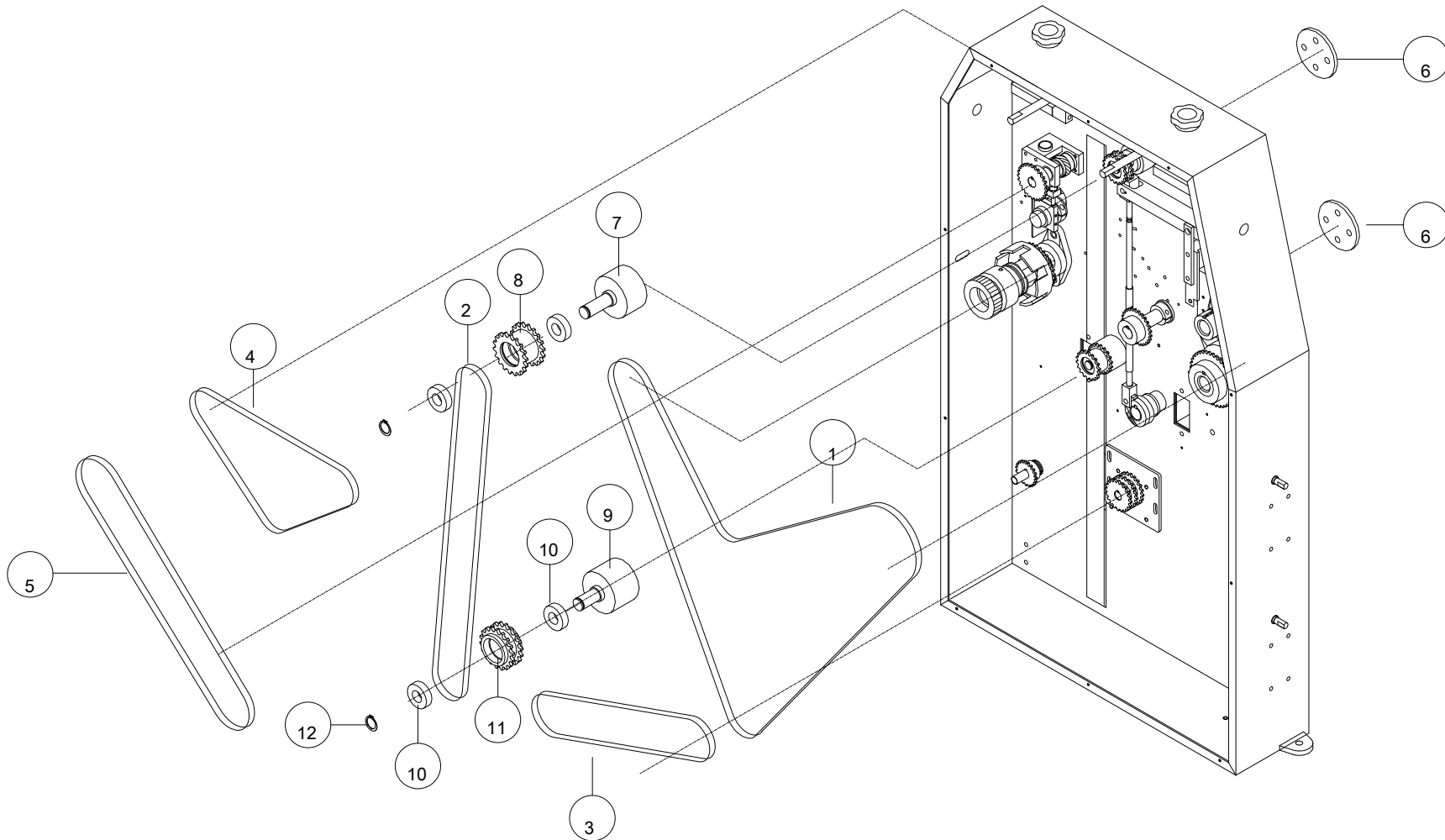
Body Part Ass'y



No.	Parts Code	Item	Spec	Quantity
1	630500680	G30 SIDE CABIN(L)	SPC3.2T 1305.5*770*190	1EA
2	630500681	G30 SIDE CABIN(R)	SPC3.2T 1305.5*770*190	1EA
3	630500640	G30 CROSS CONNECT	SPCR2.3T 45*75*1710	3EA
4	630500682	G30 FILM GUIDE	SPC 1.5T+5.0T 1709*61.5	1EA
5	634700004	CROSS FAN MOTOR	PCF-6230GMP9-2	3EA
6	630500683	G30 FAN PLATE	SPC 1.5T 1709*110.5*97.8	1EA
7	630500641	G30 CROSS WIRE BAR	SPCR2.3T 45*75*1710	1EA
8	635800474	G3064 MOTOR SPROCKET	RS35 20T*20T*35.3*F18	1EA
9	632502309	KEY(STACKER)	5*5*30	1EA
10	630500664	G30 MOTOR MOUNT	SPC 3.2T 200*103.5	1EA
11	632500359	FALCON BEARING SPACER	Bs F15.9*F10*14.5	4EA
12	635000058	DC GEARED MOTOR	DC90V 300W	1EA
13	630500663	G30 MOTOR COVER	SPC 1.5T 137*110*350	1EA
14	632502322	STRETCH BAR SUPPORT BLOCK	Bs 54*40*15.5/4064H090	2EA
15	630500687	G30 STRETCH BAR HANGER	2.0T 50*114.5	2EA
16	634100004	CASTER	4"/BRAKE	4EA
17	634100206	G/MASTER LEVELING FOOT	M16*180	4EA
18	632500682	GBC4265	SM45C F10*20	12EA
19	630500395	G4064 SENSOR BRACKET(LOW)	SPC1.5T 59*19*31	1EA
20	639400018	INFRARED SENSOR ASS'Y(ROHS)	A2 TPMI 334-OAA2250	1EA
21	631000095	SURELAMPRO INTERRUPT BRACKET	SPC1.5T 60x57x55.5	1EA
22	634100121	1620PQ INTERRUPT SENSING DISK	100P/R F50x55.5	1EA

GBC 3064WF-1 (08. 07 / Rev 0.0)
Chain Part Ass'y

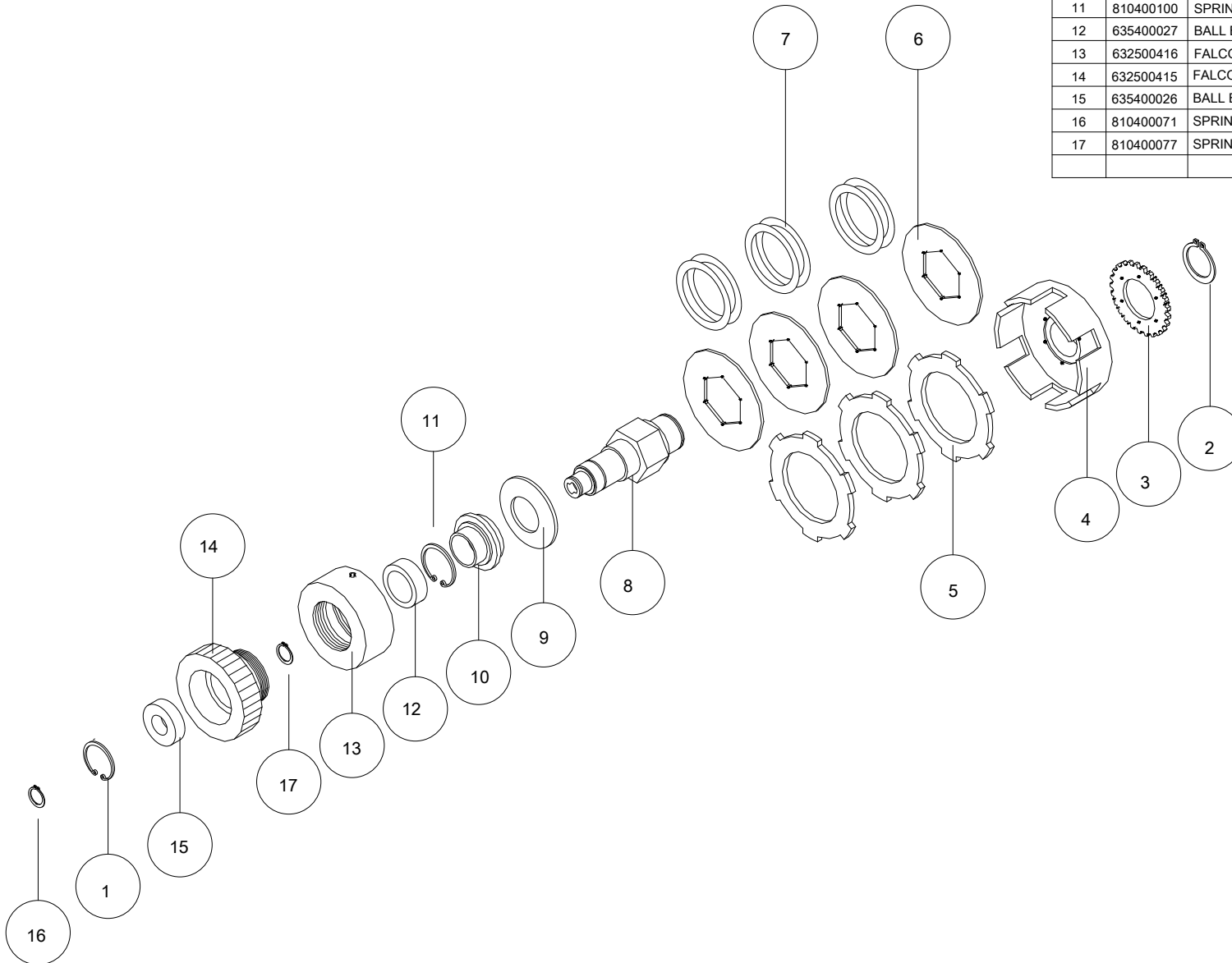
No.	Parts Code	Item	Spec	Quantity
1	635700266	ROLLER CHAIN RS35H	RS35H	1EA
2	635700076	ROLLER CHAIN	RS35H(60.5PCS)	1EA
3	635700104	ROLLER CHAIN	RS35H(39.5PCS)	1EA
4	635700265	ROLLER CHAIN RS35H	RS35H(38.5PSC/)	1EA
5	635700179	ROLLER CHAIN	RS35H(47PCS)	1EA
6	630500665	G30 GEAR BOSS SUPPORT PLATE	SPC 5.0T F70/36CR-M0050	2EA
7	632504603	G30 IDLE GEAR BOSS(UP)	S45C F80*F17*F25*81.3	1EA
8	635800695	G30 IDLE SPROCKET(UP)	RS35 18T*18T*42	1EA
9	632504604	G30 IDLE GEAR BOSS(LOW)	S45C F80*F17*F25*87	1EA
10	635400160	BALL BEARING	#6003(SKf)	4EA
11	635800696	G30 IDLE SPROCKET(LOW)	RS35 18T*18T*31.2	1EA
12	810400090	SPRING S RING	F17	2EA



GBC 3064WF-1 (08. 07 / Rev 0.0)

Clutch Part Ass'y

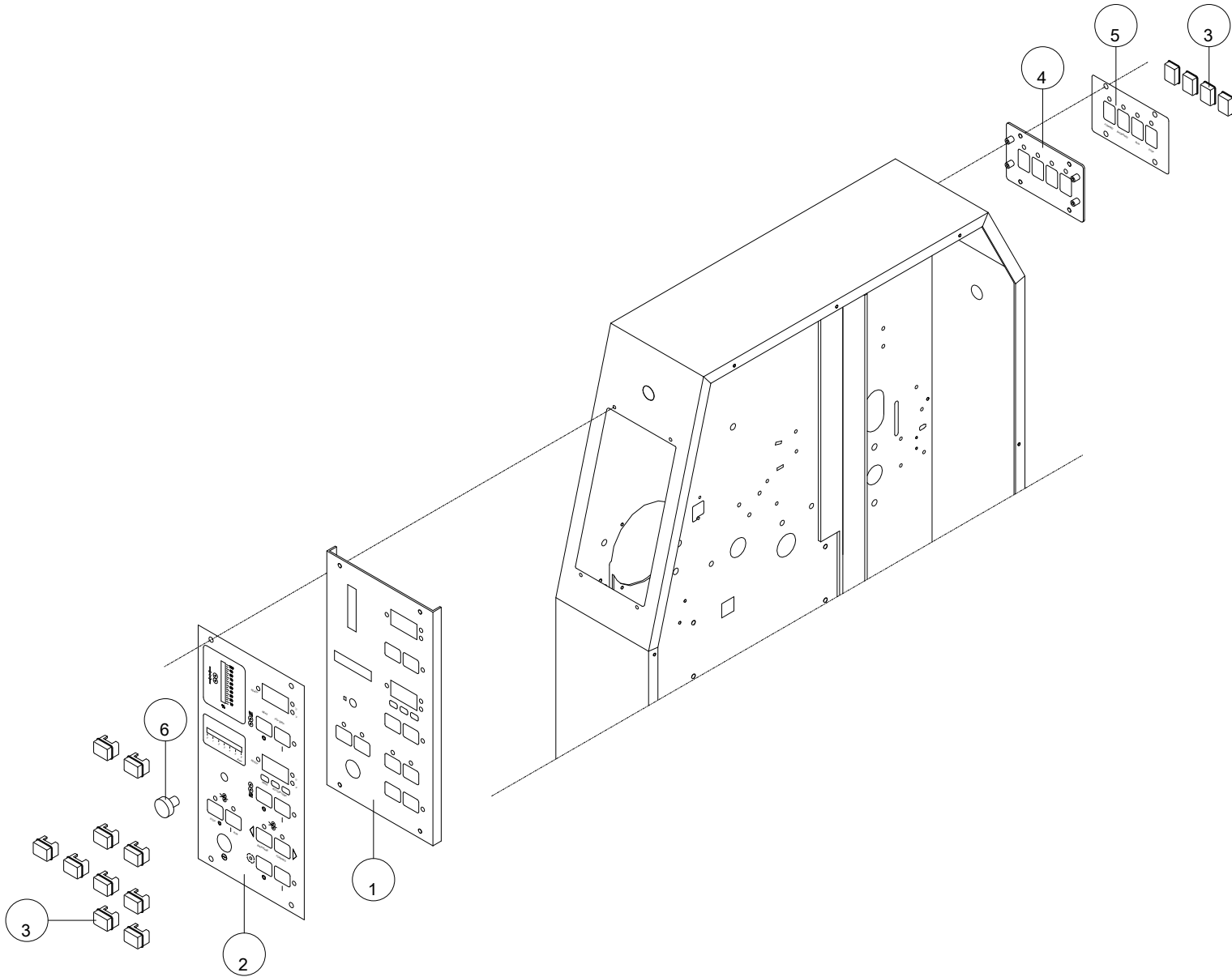
No.	Parts Code	Item	Spec	Quantity
1	81040099	SPRING S(IN) RING	F42	1EA
2	810400205	SPRING S RING	28	1EA
3	635800127	CLUTCH SPROCKET	RS35 24T*F41	1EA
4	632500414	FALCON CLUTCH BODY	AL6061 F113.5*F35*53.3	1EA
5	634100133	CLUTCH DISC PAD	F113.5*F72*5.5T	3EA
6	630500081	FALCON FRICTION DISC	SPC 3.0T F101*46.2	4EA
7	635400090	WAVE WASHER	F54*F69.8*0.45T	6EA
8	632500418	FALCON CLUTCH SHAFT	S45C 46*128	1EA
9	810400197	DISC SPRING	F46*F91*3.5T	1EA
10	632504597	G30 CLUTCH SHAFT COVER	F55*37/36CR-C0010-H	1EA
11	810400100	SPRING S(IN) RING	F62	1EA
12	635400027	BALL BEARING	#6007	1EA
13	632500416	FALCON CLUTCH PRESSURE	AL6061 F88*F42*50	1EA
14	632500415	FALCON CLUTCH HANDLE	AL6061 F88*F42*50	1EA
15	635400026	BALL BEARING	#6004	1EA
16	810400071	SPRING S RING	20	1EA
17	810400077	SPRING S RING	F30	1EA



GBC 3064WF-1 (08. 07 / Rev 0.0)

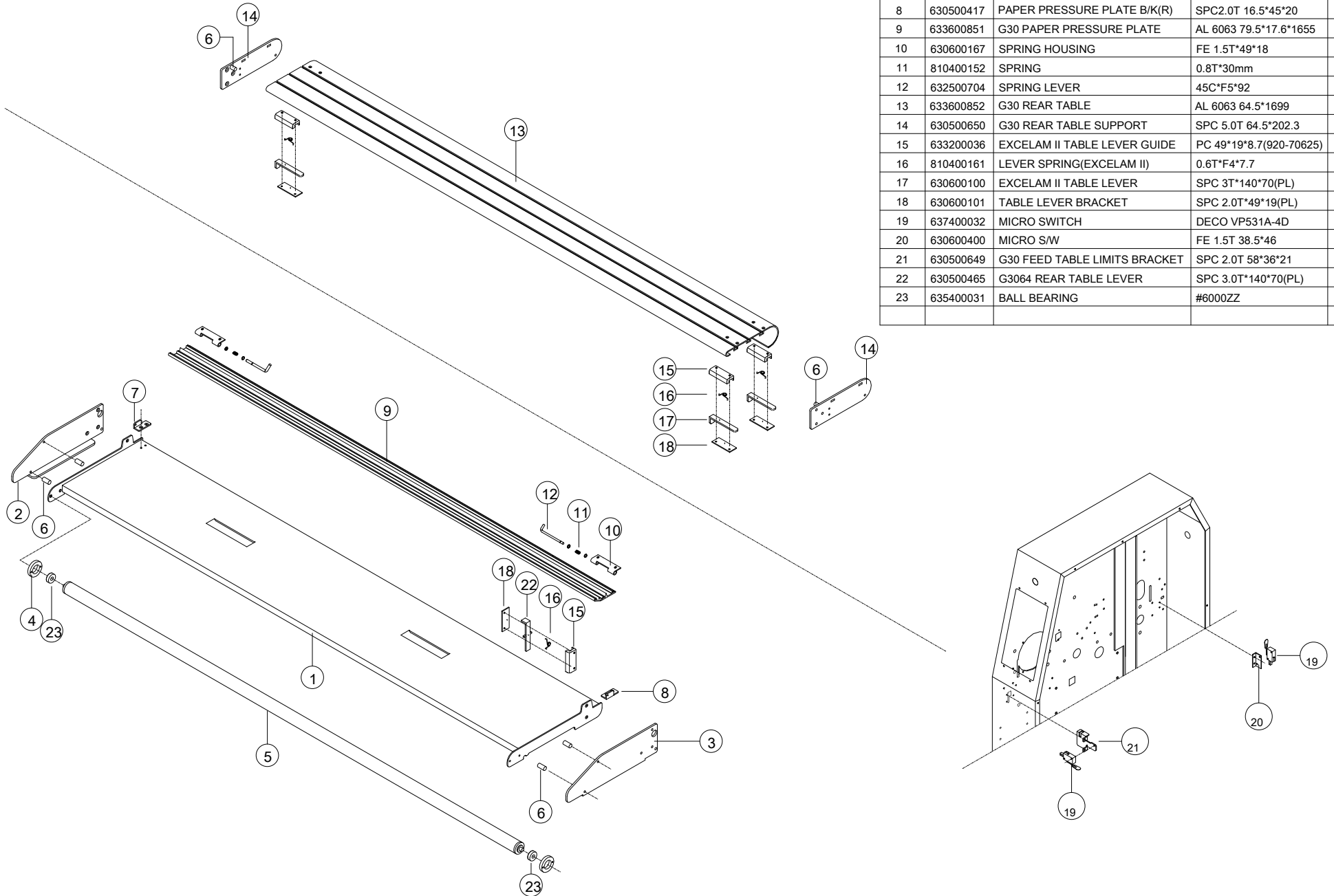
Control Box Ass'y

	PART CODE	PART NAME	SPEC.	Quantity
1	630500685	G30 CONTROL PANEL	2.0T 290*152/36CR-B130-P	1EA
2	810900254	G30 CONTROL PANEL STICKER	5T 152*282 / 36CR-B0150-L	1EA
3	633300004	E/M CONTROL KEY	PC 1.5T 24*18	14EA
4	630500686	G30 REAR CONTROL PANEL	2.0T 61*110/36CR-B0140-P	1EA
5	810900255	REAR CONTROL PANEL STICKER	5T 130*95 / 36CR-B0160-L	1EA
6	633300213	VOLUME KNOB	F30*F7	1EA



GBC 3064WF-1 (08. 07 / Rev 0.0)

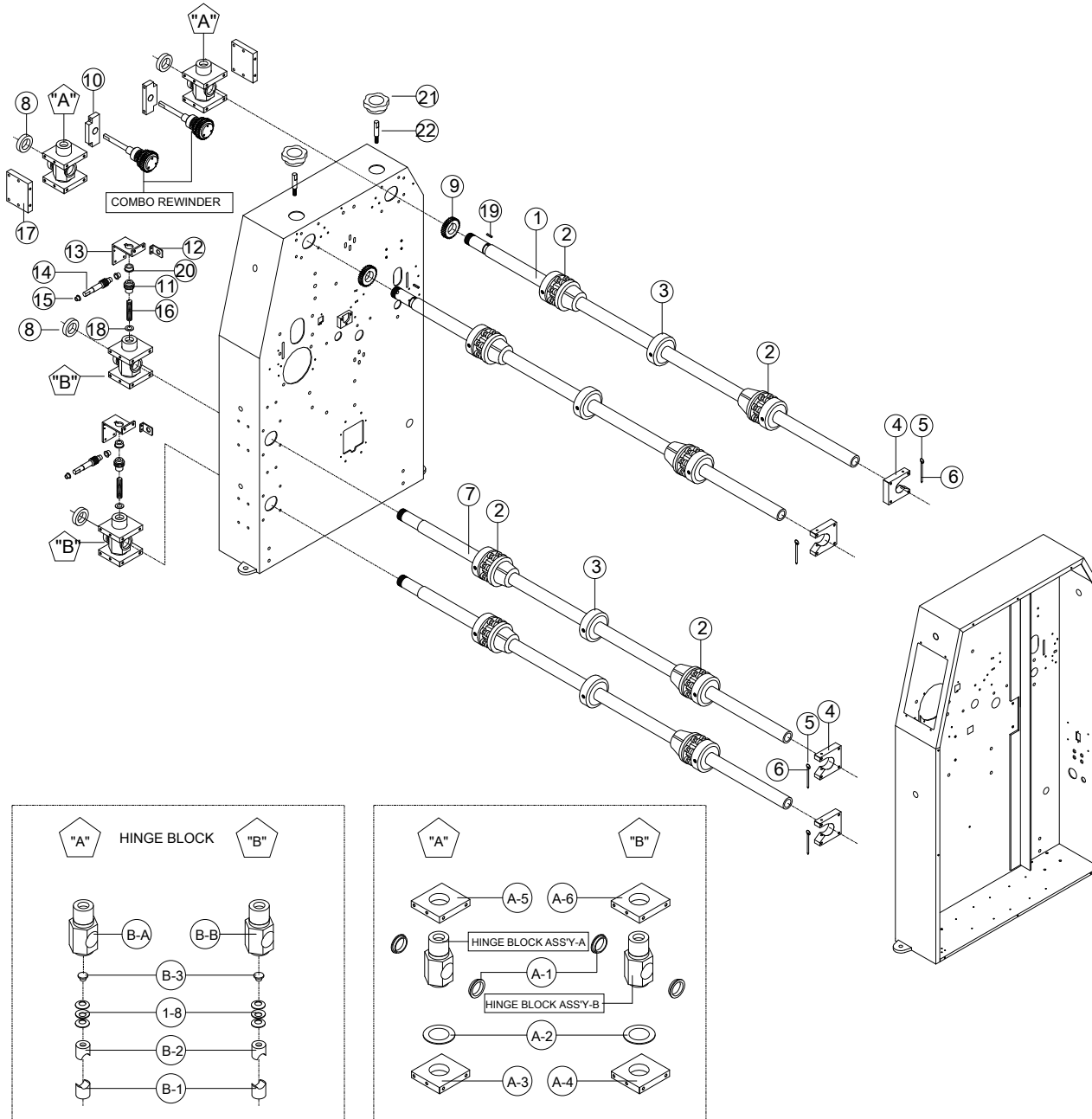
Feed Table Ass'y



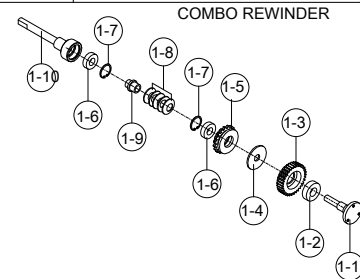
No.	Parts Code	Item	Spec	Quantity
1	630500648	G30 FEED TABLE	SPC 3.0T*SPC 1698*348	1EA
2	630500646	G30 FEED TABLE SUPPORT(L)	SPC 5.0T 333*95*25	1EA
3	630500647	G30 FEED TABLE SUPPORT(R)	SPC 5.0T 333*95*25	1EA
4	632500288	IDLE ROLLER BEARING HOUSING	BS 8.0T*F45*F26	2EA
5	632504598	G30 FEED IDLE ROLLER(PL)	STKM 3.2T F34*1691	1EA
6	632500682	STAND OFF	SM45C F10*20	6EA
7	630500416	PAPER PRESSURE PLATE B/K(L)	SPC2.0T 16.5*45*20	1EA
8	630500417	PAPER PRESSURE PLATE B/K(R)	SPC2.0T 16.5*45*20	1EA
9	633600851	G30 PAPER PRESSURE PLATE	AL 6063 79.5*17.6*1655	1EA
10	630600167	SPRING HOUSING	FE 1.5T*49*18	2EA
11	810400152	SPRING	0.8T*30mm	2EA
12	632500704	SPRING LEVER	45C*F5*92	2EA
13	633600852	G30 REAR TABLE	AL 6063 64.5*1699	1EA
14	630500650	G30 REAR TABLE SUPPORT	SPC 5.0T 64.5*202.3	2EA
15	633200036	EXCELAM II TABLE LEVER GUIDE	PC 49*19*8.7(920-70625)	4EA
16	810400161	LEVER SPRING(EXCELAM II)	0.6T*F4*7.7	4EA
17	630600100	EXCELAM II TABLE LEVER	SPC 3T*140*70(PL)	3EA
18	630600101	TABLE LEVER BRACKET	SPC 2.0T*49*19(PL)	4EA
19	637400032	MICRO SWITCH	DECO VP531A-4D	2EA
20	630600400	MICRO S/W	FE 1.5T 38.5*46	1EA
21	630500649	G30 FEED TABLE LIMITS BRACKET	SPC 2.0T 58*36*21	1EA
22	630500465	G3064 REAR TABLE LEVER	SPC 3.0T*140*70(PL)	1EA
23	635400031	BALL BEARING	#6000ZZ	2EA

GBC 3064WF-1 (08. 07 / Rev 0.0)

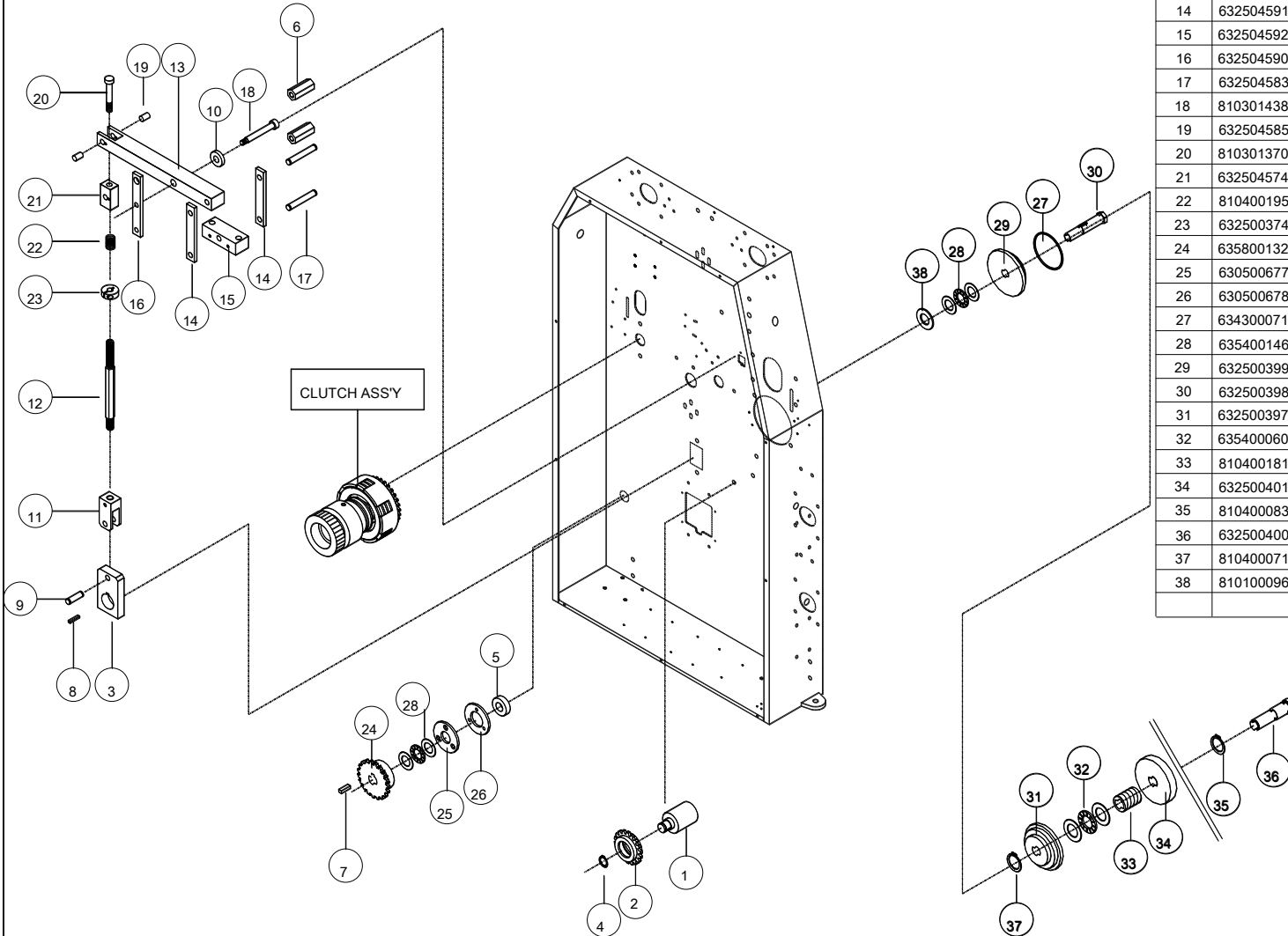
Film Shaft Ass'y



No.	Parts Code	Item	Spec	Quantity
1	632502337	G4064 FILM PIPE(PL)	STKM6.3T F42.5*1820	2EA
2	633000222	COMBI CORE F58(43MM)	PC F43*75*92	8EA
3	633000226	G30 FILM CORE	PC F75/36CR-B0100-H	4EA
4	632504139	SADDLE	NYLON/100*90*25	4EA
5	632501397	SAFETY PIN RING	F21.5	4EA
6	632500421	STOPPER PIN	S45C F6*95	4EA
7	632500332	ORCA-64 FILM PIPE	STKM F42.5*1810	2EA
8	632500371	FALCON FILM PIPE COLLER	A45C F60*15	4EA
9	635800471	G4064 FILM PIPE SPUR GEAR	S45C M2*34T*F42.5*15	2EA
10	632502388	COMBO REWINDER SHAFT STOP	AL6061 49.5*115*17	2EA
11	635800330	GMII-1600 WORM WHEEL UPPER	OD34*F24*37*19*12*6	2EA
12	630500691	FILM SHAFT WARM SUPPORT	SPC3.0T 40*30*15.5	2EA
13	630500690	G30 FILM SHAFT WARM SUPPORT	SPC5.0T 83.5*103.5*105	2EA
14	635800697	G30 FILM SHAFT WARM	S45C F15*129	2EA
15	635500036	DU BUSHING FLANGE	15*10	4EA
16	635800328	TENSION SCREW UPPER	SM45C F16*75	2EA
17	632504609	SWING COMBO SUPPORT BLOCK	AL6061 100*117.5*20	2EA
18	635400092	THRUST NIDDLE WASHER	AS1730	2EA
19	632502386	KEY	6*6*12	2EA
20	632503114	SWING SHAFT WORM HOLDER	BS F30*F16*13.5	2EA
21	633200005	ORCA-64 TENSION HANDLE	PC F75*F15*30 (WHITE)	2EA
22	632504596	G30 UNWINDER TENSION BOLT	S45C F15*M10*60	2EA
1-1	632502341	G4064 COMBO REWINDER SHAFT	S45C F50*F13*81	2EA
1-2	635400024	BALL BEARING	#6004ZZ	2EA
1-3	635800472	G4064 REWINDER CLUTCH GEAR	S45C M2*34T*F42*20	2EA
1-4	634100391	F55 CLUTCH PAD(GBC4064)	3.0T*F17.2*F55	2EA
1-5	635800473	REWINDER CLUTCH SPROCKET	RS35 19T*F56*F26*22	2EA
1-6	635400017	BALL BEARING	# 6003	6EA
1-7	810400243	SPRING S (IN) RING	F35	4EA
1-8	810400013	FLAT TENSION SPRING	F20	27EA
1-9	632502342	COMBO REWINDER TENSION RING	F25*28.5*F14/4064H960	2EA
1-10	632502343	COMBO REWINDER TENSION SHFT	S45C F45*162*M24	2EA
A-1	632500373	FALCON FILM SHAFT BUSH	MC(BLACK) F50.5*9.5	8EA
A-2	635400098	THRUST NIDDLE WASHER	AS5070	4EA
A-3	632504606	SWING COMBO SUPPORT BLOCK	AL6061 F51*100*108*20	2EA
A-4	632504577	SWING UNWINDER SUP BLOCK	AL6061 F51*90*108*20	2EA
A-5	632504607	SWING COMBO SUPPORT BLOCK	AL6061 F51*100*108*20	2EA
A-6	632504578	SWING UNWINDER SUP BLOCK(UP)	AL6061 F51*90*108*20	2EA
B-A	632504599	FILM SHAFT HINGE BLOCK UP	M10*F49.8*F44*136.5	2EA
B-B	632504600	FILM SHAFT HINGE BLOCK LOW	F17*F49.5*F44*136.5	2EA
B-1	632504594	G30 BREAK PAD(LOW)	MC(BLACK) F42*42	4EA
B-2	632504593	G30 BREAK PAD(UP)	MC(BLACK) F42*F18*42	4EA
B-3	632504595	G30 BREAK SPRING PRESSURE	S45C(흑학색) F17*F30*16	4EA



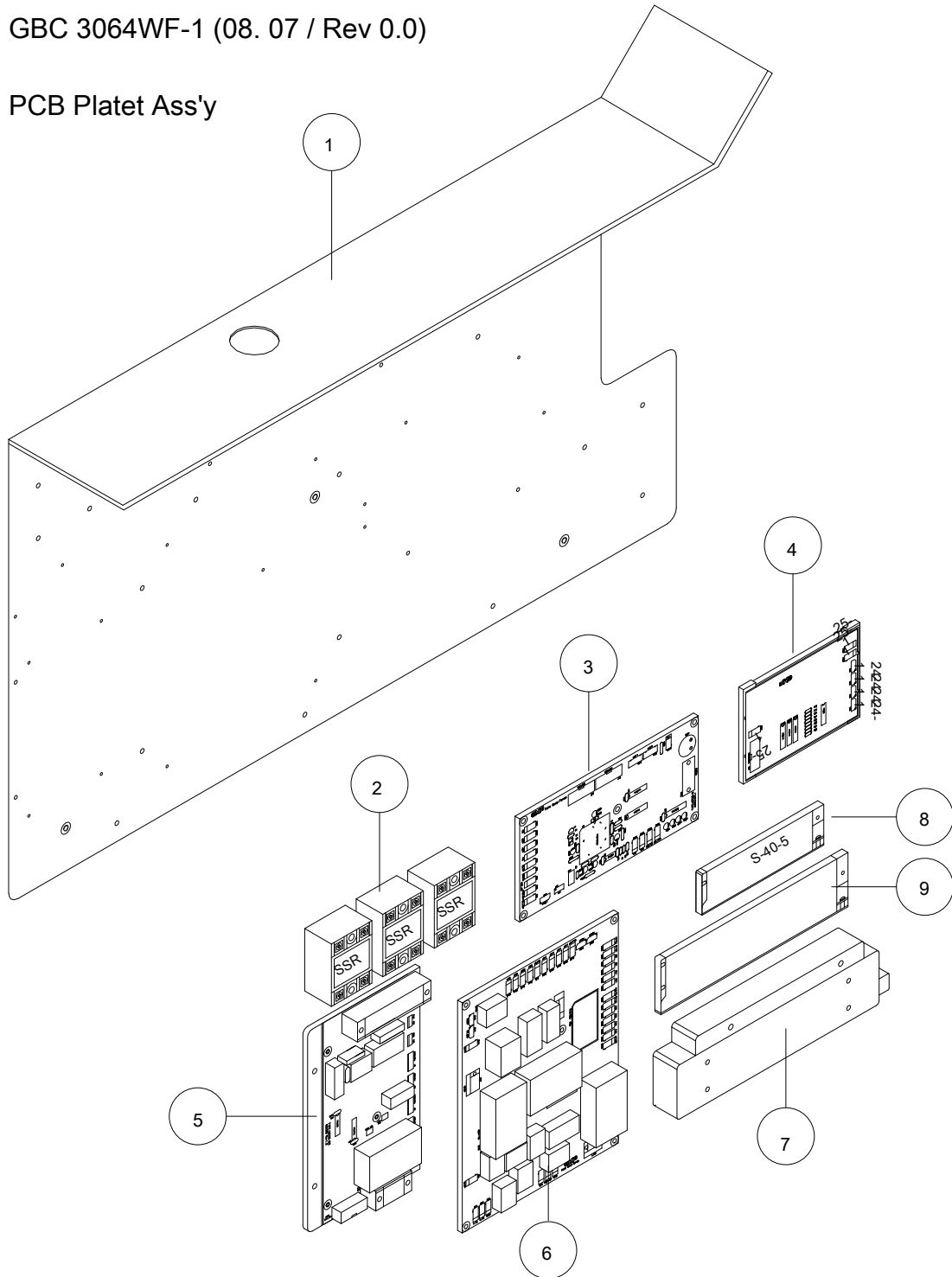
GBC 3064WF-1 (08. 07 / Rev 0.0)
Heat Roller Tension (Left) Ass'y



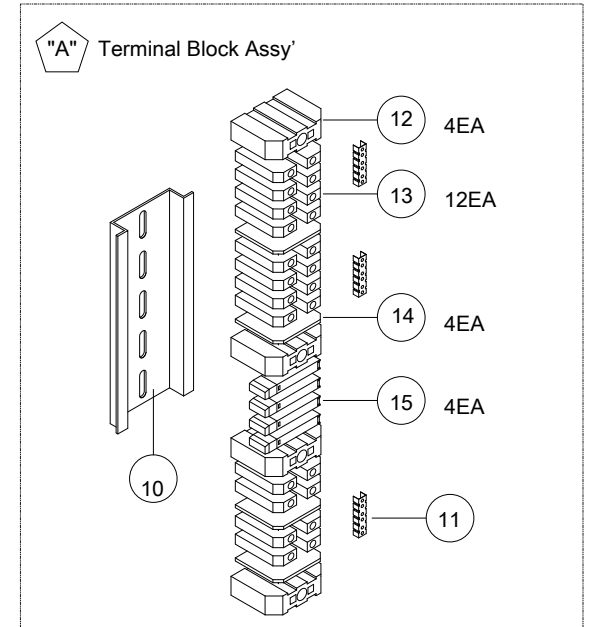
No.	Parts Code	Item	Spec	Quantity
1	632504605	G30 TAKE UP BOSS	S45C F17*F40*71.2	1EA
2	635800469	REWINDER IDLE SPROCKET	RS35 18T*F44*F35*18	1EA
3	632504576	G30 HR PRESSURE LINK BLOCK	S45C 50*86*16	1EA
4	810400090	SPRING S RING	F17	1EA
5	635400010	BALL BEARING	# 6903	1EA
6	632504581	HR PRESS. HINGE PLATE BOSS	HEX 19*47*M10	2EA
7	632500456	E/M KEY	5*5*15mm	1EA
8	632501601	KEY	S45C 6*6*25	1EA
9	632504586	HR PRESS. PUSH ROD CLEVIS PIN	F10*31/36CR-T0110-H	1EA
10	632504582	HR PRESSURE HINGE SPACER	MC 14T*F13.1*F30	1EA
11	632504575	HR PRESS. PUSH ROD CLEVIS	60*29*25/36CR-T0100-H	1EA
12	632504565	G30 HR PRESSURE PUSH ROD	HEX 14*187*M8*M12	1EA
13	632504589	G30 HR PRESSURE	S45C 284*25.5*32	1EA
14	632504591	G30 HR PRESSURE BLOCK LINK	S45C 110*25*7	2EA
15	632504592	G30 HR PRESSURE BLOCK	HEX 19*83*25*32	1EA
16	632504590	G30 HR PRESSURE HINGE PLATE	125*25*9/36CR-T0020-H	1EA
17	632504583	HR PRESSURE BLOCK LINK PIN	F10*53/36CR-T0070-H	2EA
18	810301438	STRIPPER BOLT(GBC3064)	M10 F13*60/3064O410	1EA
19	632504585	HR PRESS. JOINT BLOCK PIN	F10*10.5/36CR-T0090-H	2EA
20	810301370	STRIPPER BOLT	M8 F10*65	1EA
21	632504574	G30 HR PRESSURE JOINT BLOCK	S45C 25*44.5*19.5	1EA
22	810400195	HEAT ROLLER SPRING	2.7T*F12.5*F24.6*30MM	1EA
23	632500374	HEAT ROLLER SPRING COLLAR	S45C F30*10	1EA
24	635800132	REWINDER SPROCKET	RS35H 20TxF45x17	1EA
25	630500677	RWNR BEARING SUP. COVER	SPC 4.0T+F60*F23	1EA
26	630500678	REWINDER BEARING SUPPORT	SPC 4.0T+F60*F30.1	1EA
27	634300071	FALCON "O" RING	G70	1EA
28	635400146	THRUST NIDDLE ROLL BEARING	AXK1730+AS	2EA
29	632500399	FALCON REWINDER PLUG	AL6061 F89*F17*19.5	1EA
30	632500398	FALCON REWINDER PLUG BOLT	S20C M16*19*89	1EA
31	632500397	REWINDER SUPPORT CORE	MC(BLACK) F89*F20*22.5	1EA
32	635400060	THRUST ROLL BEARING ASS'Y	AXK2035+AS	1EA
33	810400181	REWINDER TENSION SPRING	SUS2.5T F25*40	1EA
34	632500401	REWINDER TENSION WHEEL	AL6061 F89*15	1EA
35	810400083	SPRING S RING	F25	1EA
36	632500400	REWINDER TENSION SHAFT	S20C F25*F20*89	1EA
37	810400071	SPRING S RING	F20	1EA
38	810100096	PLATE WASHER	3T F21*F39	1EA

GBC 3064WF-1 (08. 07 / Rev 0.0)

PCB Platet Ass'y



	PART CODE	PART NAME	SPEC.	Quantity
1	630500684	G30 PCB PLATE	EGI 1.5T 425*710/36CR-B0120-P	1EA
2	639100025	SOLID STATE RELAY	GLS25	3EA
3	638900460	PCB ASS'Y REAR DISPLAY BOARD	CR36-DS REV1.0	1EA
4	638900462	ASS'Y SAFETY MODULE	PHSOOM/PHSOOMEX	1EA
5	638900463	ASS'Y MOTOR DRIVE	MC00-M/MC00-DR	1EA
6	638900452	PCB ASS'Y GBC4064 ECO LOGIC	CR36-RLB REV2.0	1EA
7	635900270	SMPS DC48V(MEAN WELL,)	SP-320-48	1EA
8	635900286	SMPS	G2 SERISE S-40-5(5V)	1EA
9	635900168	SMPS	G2 SERISE D-120B(24V/5V)	1EA
10	637600072	TERMINAL BLOCK RAIL	NS 35/7.5	2EA
11	637600074	TERMINAL BLOCK BRIDGE BAR	FB 10-6	1EA
12	637600071	TERMINAL BLOCK STOPPER	E/NS 35 N (E-UK)	4EA
13	637600069	TERMINAL BLOCK UK5N	T/B	12EA
14	637600070	TERMINAL BLOCK END COVER	D-UK 4/10	4EA
15	637400229	FIBER AMP	HPX-H1	4EA





ACCO Brands Corporation
10303 80th Avenue
Pleasant Prairie, WI 53158
2009.04.09