



# 2300-1 PARTS LIST



GBC IS AN ACCO BRANDS COMPANY

## PARTS LIST

AUTO FEEDER, MODEL 2300-1

REVISION A

DATE: 09-11-1995

ITEM #	ANITA PART #	GBC #	QTY	DESCRIPTION
1		1154733	1	WELDED FRAME ASSY.
2	AMA0712		2	PLASTIC COVER - BOTTOM RIGHT AND LEFT
3	91256A240		20	SCREW - BUTTON SOCKET HEAD, 10-32 x 0.375"
4	UCP20616		2	PILLOW BLOCK
5	91251A622		6	SCREW - SOCKET HEAD, 3/8-16 x 0.75"
6		1154764	1	DRIVE SHAFT CONVEYOR
7	98491A136X100		3	KEY - 1/4" X 1/4" X 1.00"
8	91375A533		9	SET SCREW - 1/4-20 x 0.25"
9	RIV40		1	CHAIN, #40
10	RIV40LINK		1	CHAIN - LINK #40
11	91251A144		10	SCREW - SOCKET HEAD, 6-32 x 0.25"
12	6Z399	1154629	1	DC MOTOR
13	4Z447	1154630	1	BRAKE
14		1154752	1	COVER, MOTOR-PILLOW BLK CHAIN
15	2300-40B12	1154626	2	SPROCKET, TABLE, PILLOW BLOCK
16	2300-40B12	1154623	1	SPROCKET, TABLE MOTOR
17	2300-40B13	1154624	1	SPROCKET, TABLE SHAFT
18	RIV40		2	CHAIN, #40
19	9628K22		2	TENSION SPRING, TABLE CHAIN
20	90172A633		2	FLATTENED END HANGER - TABLE CHAIN MT.
21		1154747	2	BEARING PLATE, CONVEYOR CHAIN
22	94805A031		8	NUT - 3/8-16
23	91125A546		6	SCREW - SOCKET HEAD, 1/4-20 x 1.50"
24	AMA0703		8	TABLE BEARING WHEEL
25	91259A619		9	SCREW - SHOULDER, 3/8" x 1/2"
26	91247A712		2	SCREW - HEX HEAD, 1/2-13 x 1.00"
27	40B12 + 2337	1154625	2	SPROCKET W/ BEARING, CONV. TOP
28	92147A033		2	LOCK WASHER - 1/2"
29	AMA0711		1	PLASTIC COVER - TOP RIGHT
30		1154743	1	WELDED FRAME ASSY. - CONVEYOR
31		1154719	1	WOOD BOARD, CONVEYOR
32	91781A624		6	SCREW - FLAT HEAD SLOTTED, 3/8-18 x 1.00"
33	160-021X60		1	FLEXIBLE TUBING, 5'
34	931-021		1	FITTING - NON-METALLIC, BLACK, 3/4"
35	CB6-02-F00B	6210047	1	PRESSURE REGULATOR/DRYER
36	GRP-95-229	6210050	1	PRESSURE GAGE
37	2020-04-00		1	ELBOW, 1/4NPT MALE TO 1/4NPT FEMALE
38	6520-06-04		1	ELBOW, SWIVEL, 1/4NPT TO 3/8 TUBE
39	N3-233D-S	6210067	1	AIR CONNECTOR, MALE
40	ATNY375X60		1	TUBE, 3/8" x 60"
41	GPA-95-012	6210051	2	PRESSURE REGULATOR MTG. BRACKET
42	91125A537		8	SCREW - SOCKET HEAD, 1/4-20 x 0.50"
43		1154669	1	COVER, DRIVE CHAIN
44	AMA0704		1	REAR MTG. - HEAD CHAIN COVER BELT
45	91252A245		8	SCREW - SOCKET HEAD, 10-32 x 0.75"
46	RIV25		1	CHAIN - #25, LONG
47	25B18 + D-2269	1154619	5	SPROCKET W/ BEARING, DRIVING MECH.
48	92147A031		2	LOCK WASHER - 3/8"
49	AMA0706		1	BELT - HEAD CHAIN COVER
50	AMA0705		1	FRONT MTG. - HEAD CHAIN COVER BELT
51		1154748	2	HEAD 'L' SIDE GUIDE
52		1146378	1	MOUNT BRACKET, TABLE HOOK

ITEM #	ANITA PART #	GBC #	QTY	DESCRIPTION
53	TS25X100		1	THUMB SCREW - 1/4-20 x 1.00"
54		1146355	1	HOOK, TABLE
55		1154650	2	GUIDE BLADE
56	91252A238		4	SCREW - SOCKET HEAD, 10-32 x 0.25"
57		1154707	2	GUIDE BLADE SUPPORT ARM, FRONT
58	91125A542		4	SCREW - SOCKET HEAD, 1/4-20 x 1.00"
59		1154705	1	FITTING RGT ANGLE
60	TS25X125		2	THUMB SCREW - 1/4-20 x 1.25"
61		1154622	2	ROLLER, EXIT
62	98381A510		2	DOWEL PIN, 1/4" x 1"
63		1154716	2	ROLLER SUPPORT
64	9656K18	1154717	2	SPRING, ROLLER EXIT
65		1154713	2	SPRING, CAP
66	92383A260		2	PIN - SPRING, 1/8" x 1.00"
67		1154709	2	MOUNT BRACKET, EXIT ROLLER
68	98381A542		2	DOWEL PIN, 3/16" x 1"
69		1154712	2	THUMB SCREW SUPPORT
70	91125A540		6	SCREW - SOCKET HEAD, 1/4-20 x 0.75"
71		1154710	2	ROLLER SUPPORT ARM
72		1154657	1	PAPER STOPPER, MIDDLE
73		1154766	5	PLATE, PAPER STOPPER
74	TS25X050		2	THUMB SCREW - 1/4-20 x 0.50"
75		1154767	1	PLATE W/ HOLES, PAPER STOPPER
76	90715A007		1	NUT - 6-32
77	91792A153		1	SCREW - PAN HEAD SLOTTED, 6-32 x 1.00"
78		1154654	1	CLIP, PAPER HEIGHT INDICATOR
79	9654K17	1154676	1	SPRING
80		1154667	1	INTERRUPTER, PAPER LIMIT SWITCH
81	6X293	1154639	2	MICRO SWITCH, PAPER LIMIT
82		1154655	2	TABLE HEIGHT CLIP SWITCH BRACKET
83	AMA0718		1	COVER - HEIGHT CLIP ASSY
84		1154656	1	PAPER STOPPER, CORNER(WELD)
85		1154658	1	PAPER STOPPER, OPEN SIDE
86		1154769	2	CROSS CONNECT BAR 33"
87		1154702	1	WELDED PLATE, PLATE COVER
88		1154759	1	PLATE, DRIVE COVER
89		1154668	1	COVER, DRIVE
90	98491A117X250		1	KEY ROLLER SPROCKETS, 3/16" x 3/16" x 2.5"
91	30XL037, AL W/ FLANGE	1154674	1	PULLEY(MED), DRIVE BELT ASSY.
92	24XL037, AL W/ FLANGE	1154643	1	PULLEY, ENCODER(SMALL)
93	25B30	1154666	1	SPROCKET, PAPER MOTOR
94	25B18	1154665	1	SPROCKET, ROLLER SHAFT
95	91376A238		7	SET SCREW - 10-32 x 0.25"
96		1154768	2	SIDE BRACKET, FEEDER SHAFT
97	AMA0709		2	BELT ASSY HOOK-UP BRKT.
98		1154621	1	FEED SHAFT
99	FF-703-6		2	BUSHING, 1/2" ID x 3/4" OD x 1.25"
100	AMA0708		2	SPACER - CANVAS
101		1154661	1	MOUNTING PLATE, D.C. MOTOR PAPER
102	25B54	1154644	1	DRIVE SPROCKET, MOTOR
103	RIV25		1	CHAIN - #25, SHORT
104	RIV25LINK		2	CHAIN - LINK #25
105	RGA-600/12		2	ENCODER

AUTO FEEDER, MODEL 2300-1  
 REVISION A

DATE: 09-11-1995

ITEM #	ANITA PART #	GBC #	QTY	DESCRIPTION
106	92210A146		3	SCREW - FLAT SOCKET HEAD, 6-32 x 0.375"
107	48XL037 PLASTIC	1154641	1	PULLEY, ENCODER (LARGE)
108	170XL037	1154642	1	TIMING BELT - ENCODER
109		1154648	1	ARM, TENSION SPRING
110		1154632	1	TENSION SPRING, HEAD DRIVE CHAIN
111		1154672	1	BRACKET, FEEDER ENCODER
112	140XLU37		1	TIMING BELT - BELT ASSY DRIVE
113	91252A542		3	SCREW - SOCKET HEAD, 1/4-28 x 1.00"
114	98491A117X075		1	KEY - MOTOR SPROCKET, 3/16" x 3/16" x 3/4"
115		1154761	1	SPACER BLOCK, ENCODER FEEDER
116	91125A544		2	SCREW - SOCKET HEAD, 1/4-20 x 1.25"
117	800E-MT4		1	PUSH BUTTON, MUSHROOM HEAD
118	800E-A4L		1	PUSH BUTTON, LATCH
119	800E-X01		3	CONTACT BLOCK, 1NC
120	800E-X10		4	CONTACT BLOCK, 1NO
121	800E-4D5		1	LAMP MODULE, 120VAC
122	800E-N169		1	LAMP BULB, 120VAC
123	800E-F4		3	PUSH BUTTON, RED
124	800E-F3		3	PUSH BUTTON, GREEN
125	800E-P4		1	PILOT LIGHT, RED
126	2300-E10		1	ELECTRICAL ENCLOSURE - ENGRAVED SIGN
127	2300-A-16N20A		1	ELECTRICAL ENCLOSURE
128	1492-N18		4	TERMINAL BLOCK END BARRIER
129	1492-CE6		2	FUSE BLOCK
130	DGCN-031-B	1146304	4	THUMB-WHEEL SWITCH ASSY.
131	1492-H1		25	TERMINAL BLOCK, WHITE
132	1492-H1B		2	TERMINAL BLOCK, BLUE
133	1492-H1RE		3	TERMINAL BLOCK, RED
134	FLM10		1	FUSE, 250VAC, 10A
135	AMA0721		1	LABEL - SHUT OFF POWER SWITCH
136	FLM2		1	FUSE, 250VAC, 2A
137	AMA0725		1	LABEL - FEEDER SER. NUMBER
138	SC1010-ND		1	CONNECTOR - 3 PIN, MALE
139	SC1001-ND		1	CONNECTOR - 3 PIN, FEMALE
140	CG-3750		2	CORD GRIP, 3/8" - 1/2"
141	CG-6275		2	CORD GRIP, 5/8" - 3/4"
142		1203107	1	P.C. BOARD DRIVE
143		1154634	1	14 PIN CONNECTOR
144		1203108	1	P.C. BOARD CONTROL
145		1154633	1	12 PIN CONNECTOR
146	104-A09ND3		1	REVERSING CONTACTOR
147	100-A09ND3		1	CONTACTOR
148	700-HB33A1		1	RELAY
149	700-HN127		1	RELAY SOCKET
150		1146301	1	P.C. BOARD 12V D.C. POWER SUPPLY
151	2300-E12		1	ELECTRICAL ENCLOSURE - BACK PANEL
152	OETL-NF30		1	MAIN DISCONNECT SWITCH
153	OETL-ZX105/150		1	MAIN DISCONNECT SWITCH HANDLE
154	AMA0723		1	LABEL - 120VAC
155	AMA0724	6009146	1	LABEL - WARNING, LIVE ELECTRICAL ... <i>Label Blue Stock</i>
156	AMA0713		1	PLASTIC COVER - TOP, LEFT
157	Z-15GW22-B7-K		2	LIMIT SWITCH, BEGINNING/END OF CYCLE
158	AP-Z		4	LIMIT SWITCH COVER, BEGINNING/END OF CYCLE

ITEM #	ANITA PART #	GBC #	QTY	DESCRIPTION
159	91792A155		8	SCREW - PAN HEAD SLOTTED, 6-32 x 1.25"
160	D4B-3A11N		1	LIMIT SWITCH - ROTARY LEVEL
161	AMA0717		1	BRACKET - TABLE OVERTRAVEL SWITCH
162	1154645A		1	ENCODER MTG. PLATE - SIDE ENCODER
163	1154645B		1	ENCODER PIVOT ARM - SIDE ENCODER
164	1154645C		1	ENCODER MTG. - SIDE ENCODER
165	TS10X075		4	THUMB SCREW - 10-32 x 0.75"
166	91259A537		1	SCREW - SHOULDER, 1/4" x 1/2"
167	91252A242		13	SCREW - SOCKET HEAD, 10-32 x 0.50"
168	MW-1		1	ENCODER WHEEL
169		1154774	1	GUIDE PLATE, OUTSIDE LEFT
170		1154773	2	GUIDE PLATE, INSIDE
171	ROS25X100		2	THUMB SCREW - ROSSETTE - 1/4-20 x 1.00"
172		1154776	1	HEAD - BASE PLATE
173		1154777	2	CROSS BAR, 13" PAPER GUIDE
174		1154651	2	GUIDE BLADE, NARROW
175		1154652	2	GUIDE BLADE, WIDE
176		1154714	2	GUIDE BLADE SUPPORT ARM, REAR
177	A0500-061		2	SPRING CLIP
178	A0500-026		2	SPRING CLIP LOCKING PLATE
179		1154778	1	BRACKET, CROSS BAR, LEFT
180	A0500-024		2	SPRING CLIP MTC.
181	2300-802		2	SPRING CLIP VER. MTG. BRACKET
182	2300-803		2	SPRING CLIP MTG. ANGLE
183	VCB-10.5	6210064	2	SUCTION CUP, SMALL
184	VCB-15		2	SUCTION CUP, LARGE
185	A0500-801		2	VACUUM - NIPPLE
186	A0500-033		2	VACUUM PISTON
187	L10	6210076	2	VACUUM PUMP
188	6811-53-32		3	BARB FITTING, 10-32 x 5/32" BARB
189	ATNY156X17	6210053	2	AIR HOSE, 5/32" X 17"
190	A0500-032R		1	VACUUM BODY, RIGHT
191	A0500-032L		1	VACUUM BODY, LEFT
192	2300-805		1	SUCTION CUPS MTG. BAR
193	A0500-035		2	VACUUM SPRING
194	91251A192		4	SCREW - SOCKET HEAD, 8-32 x 0.375"
195	98401A211		2	INTERNAL RETAINING RING, 1"
196	A0500-036		2	VACUUM CAP
197	2300-804		1	SUCTION CUP MTG. PLATE
198	AMA0691		2	HEAD - 5/8" THOMPSON BAR
199	91125A551		2	SCREW - SOCKET HEAD, 1/4-20 x 2.25"
200	AMA0688		1	HEAD - HEIGHT ADJ. LOCKING PLATE
201	SW10		2	BEARING - LINEAR, 5/8", SHIELDED
202	AMA0674		1	PICK UP HEAD MOUNTING BRACKET
203	91375A146		2	SET SCREW - 6-32 x 0.375"
204	91375A535		5	SET SCREW - 1/4-20 x 0.375"
205	ATNY156		1	TUBE - AIR, 5/32" x 15"
206	AMA0702		1	COVER - HEAD LIMIT SWITCHES, BOTTOM
207	AMA0720		2	LABEL - DO NOT OPERATE WITHOUT GUARD
208	AMA0716		1	COVER - HEAD
209	6510-53-32		2	CONNECTOR, 10-32 THREAD-5/32" TUBE
210	6811-53-02		1	BARB FITTING, 1/8NPT x 5/32" BARB MODIFIED
211	AMA0677		1	AIR BLAST SLOTTED BRKT.

AUTO FEEDER, MODEL 2300-1  
 REVISION A

DATE: 09-11-1995

ITEM #	ANITA PART #	GBC #	QTY	DESCRIPTION
212	AMA0689		1	AIR BLAST END BRKT.
213	TS25X075		4	THUMB SCREW - 1/4-20 x 0.75"
214	49427		1	NOZZLE, 1" WIDE
215	49420		1	AIR HOSE - FLEXIBLE
216	49425		1	AIR HOSE FITTING, 1/8NPT
217	2300-2930-1/4		1	BALL VALVE, 1/4NPT
218	AMA0671		1	CAM
219	AMA0672		1	CAM - PIVOT ARM
220	FB-68-4		2	BUSHING - 1/2" x 3/8" x 1/2"
221	AMA0664		1	CAM BEARING MTG. PLATE
222	AMA0676		1	HEAD LIMIT SWITCHES MTG. PLATE
223	AMA0673		1	VACUUM PUSHER MOUNTING BRACKET
224	AMA0666		1	CAM DRIVING SHAFT
225	AMA0693		1	AIR DISTRIBUTOR BRACKET
226	MS-04-02		1	STRIGHT CONNECTOR, 1/8 NPT x 1/4"
227	ME-04-02		2	ELBOW, 1/8NPT-1/4 TUBE
228	ATNY250		1	TUBE - AIR, 1/4" x 4"
229	ATNY250		1	TUBE - AIR, 1/4" x 6"
230	AMA0681		2	HEAD LIMIT SWITCH POSITION LOCKING PL.
231	AMA0701		1	HEAD LIMIT SWITCH SIDE COVER
232	91248A562		2	SCREW - HEX HEAD, 1/4-20 x 5.00"
233	M45001-01		1	SOLENOID, END PLATE KIT
234	45A-SA1-DAAA-1BA	6210066	4	SOLENOID, 120VAC
235	ASP-2		1	MUFFLER, 1/4NPT
236	PB219B-4		2	PLUG, 1/4NPT, ALLEN KEY TYPE
237	FC-04-02		3	FLOW CONTROL, 1/8NPT-1/4 TUBE
238	PB219B-2		4	PLUG, 1/8NPT, ALLEN KEY TYPE
239	6800-53-04	6210052	2	REDUCTION, 1/4 TO 5/32
240	1154778-2		1	BRACKET, CROSS BAR, RIGHT
241	AMA0690		2	HEAD COVER SEPARATOR ROLLER
242	1492-F1		12	CONTACT BLOCK
243		1154775	1	GUIDE PLATE, OUTSIDE RIGHT
244	D-2269	1154755	2	SPROCKET W/ BEARING, END DRIVE CHAIN
245		1154780	1	PLATE, RIGHT, HD AASY.
246	304-27-013	1203116	1	SPRING WRAPED CLUTCH ASSY.
247	2300-25B30	1154618	1	SPROCKET, WRAP CLUTCH
248	AMA0601		4	SPACER - HEAD IDLER SPROCKETS
249	AMA0668		1	SPACER - HEAD DRIVE AND PLATE
250	AMA0667		1	HEAD - END BEARING PLATE
251	92210A192		3	SCREW - FLAT SOCKET HEAD, 8-32 x 0.375"
252	R6ZZ		1	BEARING - 3/8" SHIELDED
253	AMA0669		1	HEAD - LOWER END PLATE
254	ME-06-04		2	ELBOW, SWMVEL, 1/4NPT-3/8 TUBE
255	AMA0675		1	PICK UP - SHAFT MTG BLOCK
256		1154797	2	SUPPORT PIVOT, COVER
257	TS10X025		4	THUMB SCREW - 10-32 x 0.25"
258	6811-53-02		1	BARB FITTING, 1/8NPT x 5/32" BARB
259	91251A194		4	SCREW - SOCKET HEAD, 8-32 x 0.50"
260	91252A240		1	SCREW - SOCKET HEAD, 10-32 x 0.375"
261	4Z129	1203112	1	DC MOTOR
262	2300-E11		4	ELECTRICAL ENCLOSURE MTG. SPACER
263	AMA0707		1	SPACER - HEAD DRIVE TENSIONER
264	AMA0710		1	SPRING STEEL PLATE

**AUTO FEEDER, MODEL 2300-1**

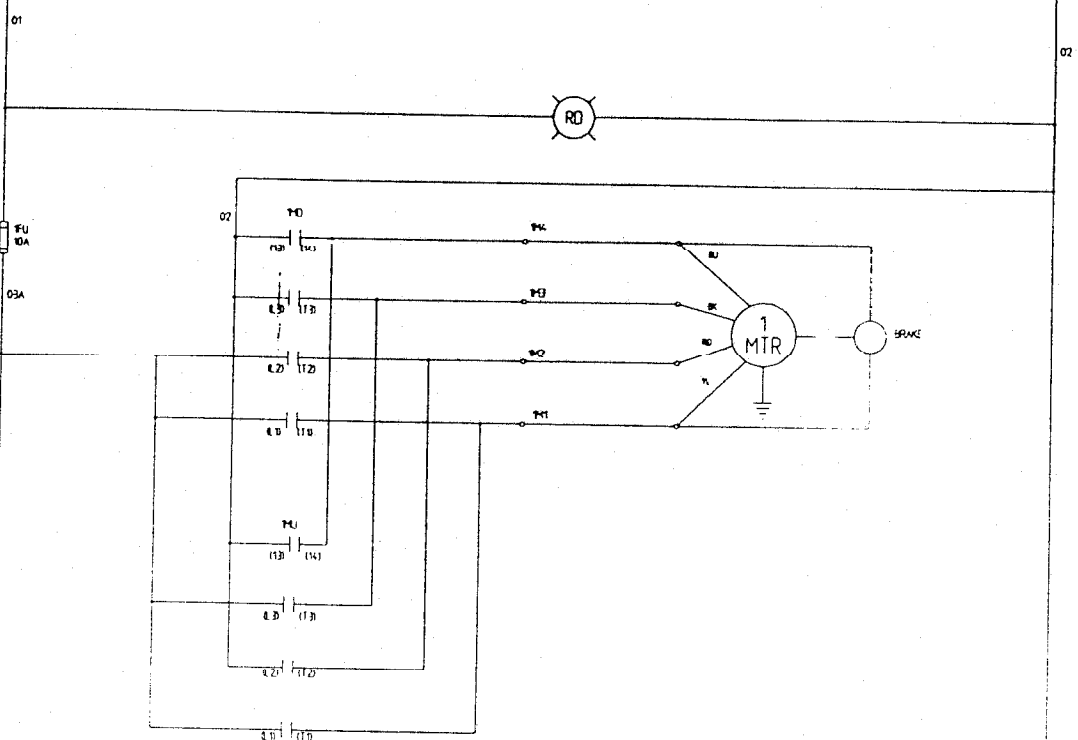
**REVISION A**

DATE: 09-11-1995

<u>ITEM #</u>	<u>ANITA PART #</u>	<u>GBC #</u>	<u>QTY</u>	<u>DESCRIPTION</u>
265	AMA0714		1	SHOULDER SCREW - SPRING HOOK UP
266	CG-3150		1	CORD GRIP, 5/16" - 1/2"
267	Z-15GW-B7-K		2	LIMIT SWITCH - TABLE HEIGHT
268	QH-6S		1	TRANSTORQUE, 3/8" BORE
	2300-CRT		1	CRATE
	VCB-0515L		1	VACUUM CUP ASSY, LEFT
	VCB-0515R		1	VACUUM CUP ASSY, RIGHT
	2300-1W		1	WARRANTY CARD
	2300-1I		1	OPERATIONAL MANUAL

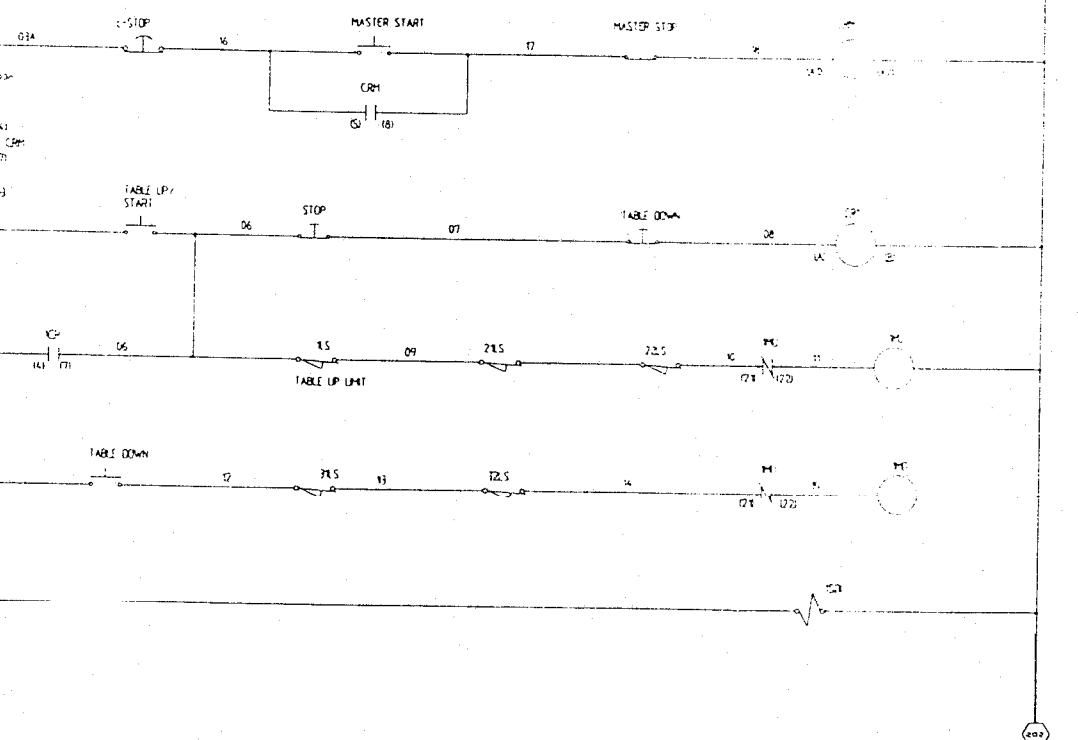
115V AC, 10A, 60 HZ

1000



POWER ON

TABLE MOTOR AND BRAKE



MASTER CONTACT RELAY

TABLE UP

TABLE DOWN

AR BLAST

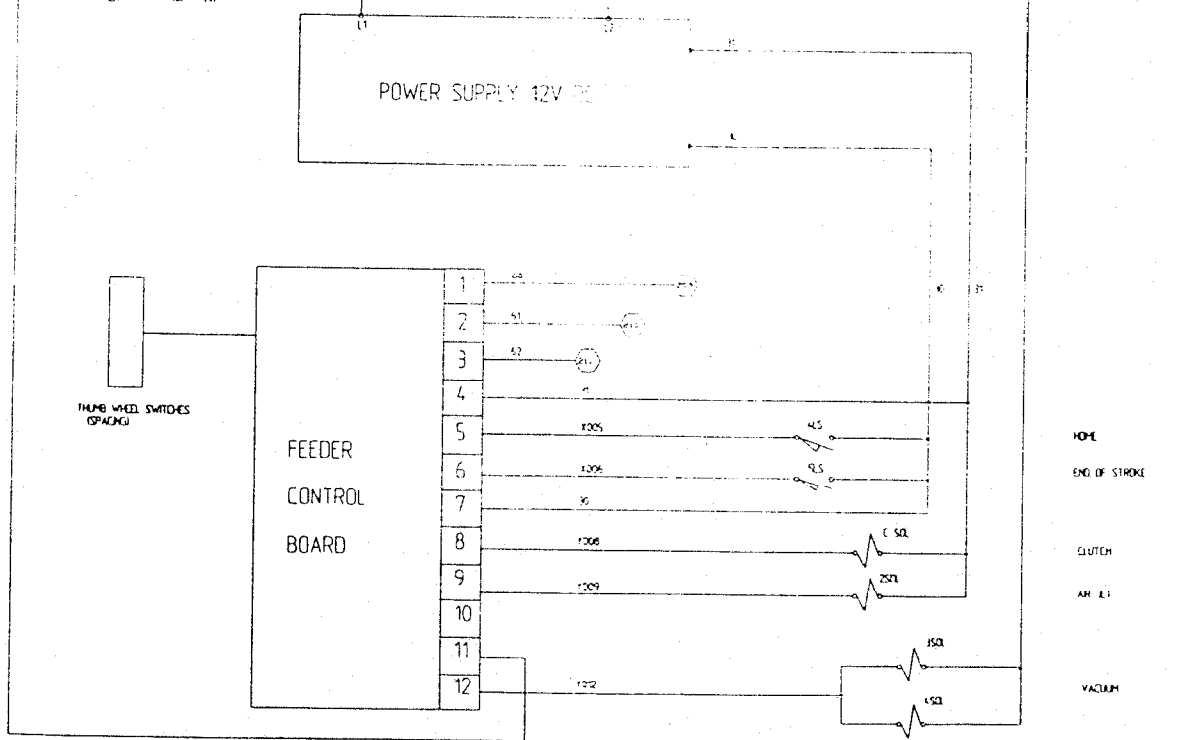
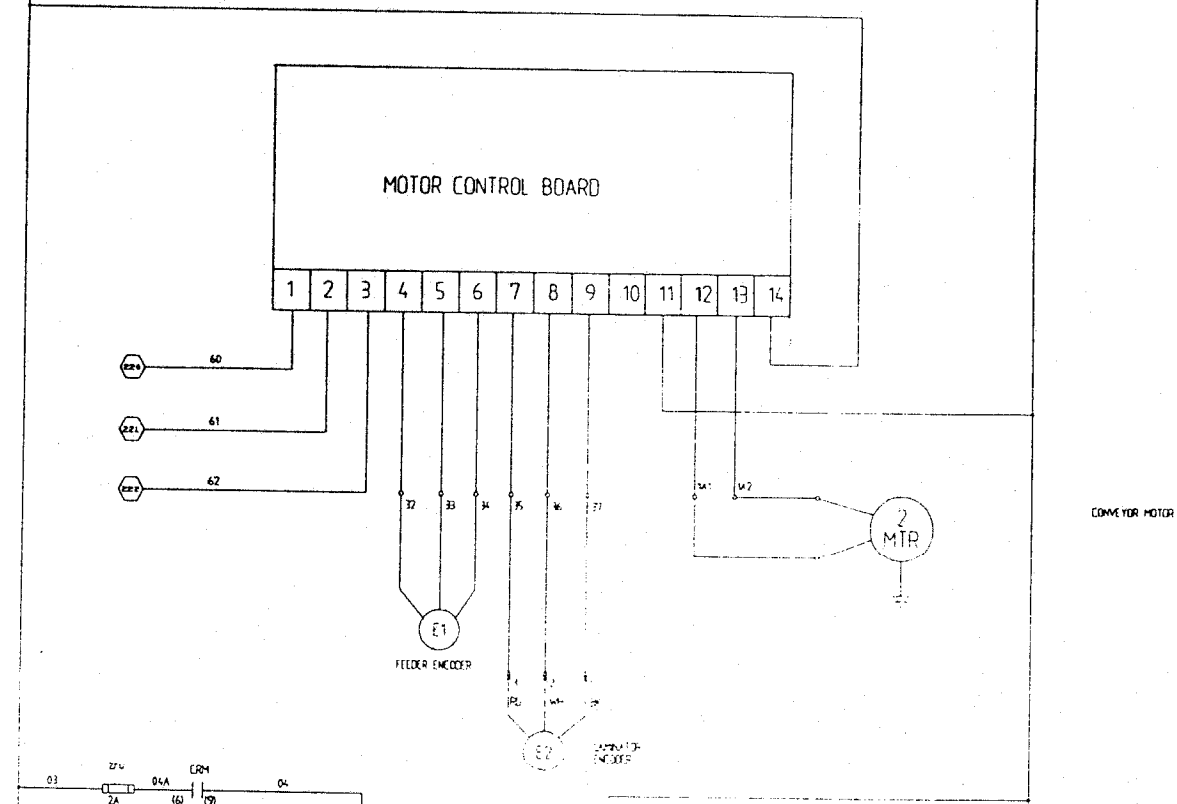
WIRE COLOR CODE

- WHITE : Z
- RED : RL 18
- BLUE/WHITE : BL
- BLUE : BLU
- GREEN : GRN
- BLACK : BK

**ANITZO**

ANITZO ENGINEERING & SERVICE

TITLE: AUTO FEEDER, MODEL 2300	
DESIGNED BY: V. KURDUSKI	
DRAWN BY: A. PAKULAK	
APPROVED BY:	
SIZE: DOCUMENT NUMBER: 2300-E	REV: 1
DATE: NOVEMBER 12, 1994	SHEET 1 OF 4



WIRE COLOR CODE

WHITE	2
RED	BL - 120VAC, 100VAC, 115VAC
BLUE/WHITE	34
BLUE	31
GREEN	31
BLACK	31

<b>ANATZ</b>	
TITLE: AUTO FEEDER, MODEL 2300	
DESIGNED BY: W. KUROWSKI	
DRAWN BY: A. FAKULAF	
APPROVED BY:	
SIZE	DOCUMENT NUMBER: 2300-E
DATE: NOVEMBER 12, 1952	SHEET 2 OF 4

1B-1  
MAIN TERMINAL BLOCKS

002
003A
003
003
008
009
010
012
013
014
111
112
113
114
030
031
031
032
033
034
035
036
037
X005
X006
1A1
1A2
Y008
Y009
Y012

1B-2  
SOLENOID TERMINAL BLOCKS

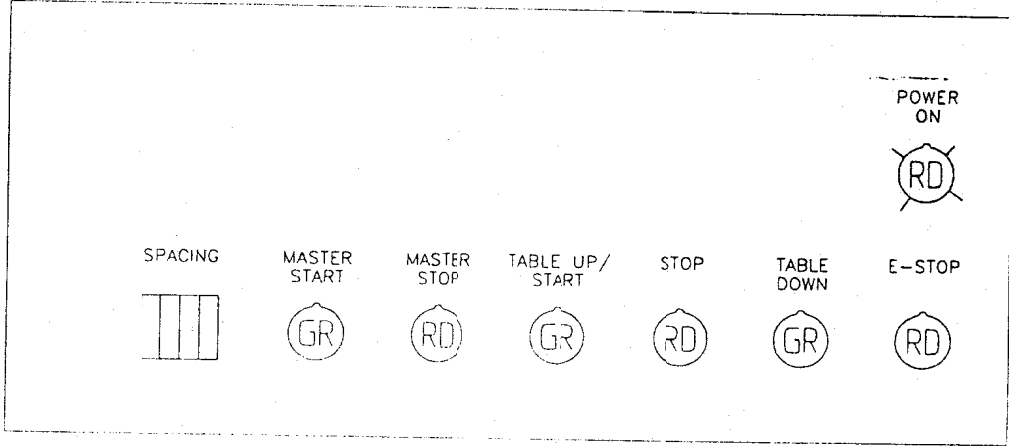
NC	WH
31	GR
30	RD
NC	
X006	BR
X005	BK
NC	
Y011	WH
Y009	GR
Y008	RD
003	BR
002	BK
NC	


CABLE 1 #18AWG-5

CABLE 2 #18AWG-5

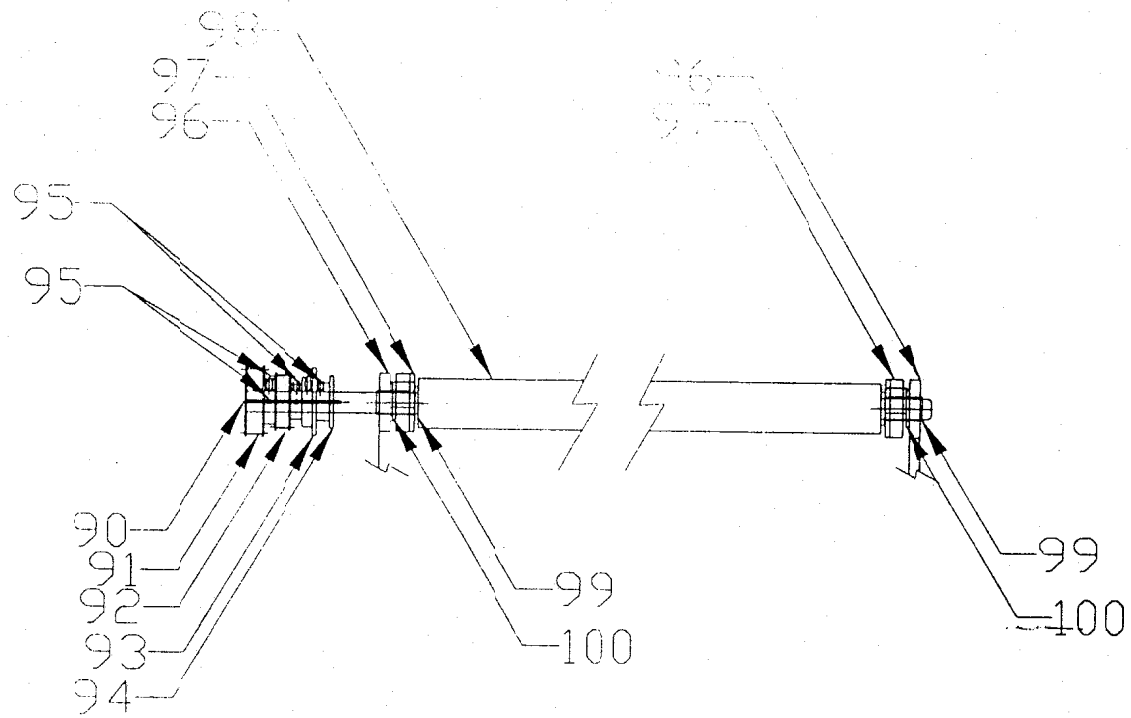
VACUUM	VACUUM	AIR JET	AIR BLAST
120 V AC	120 V AC	12 V DC	120 V AC
450L	350L	250L	150L

<b>300IT20</b>			
<small>MANUAL PART 2, 2011</small>			
TITLE: AUTO FEEDER, MODEL 2300			
DESIGNED BY: W. KURDUSKI			
DRAWN BY: A. PAKLAK			
APPROVED BY:			
SIZE:	DOCUMENT NUMBER: 2300-C	REV:	
DATE: NOVEMBER 12, 1994	SHEET 3	OF 4	



TITLE		AUTO FEEDER , MODEL 2300 CONTROL PANEL	
DESIGNED BY:	V. KUROWSKI	DRAWN BY:	A. PAKULAK
DATE:	11-12-94	DRAWING:	4 OF 4
REFERENCE #:	2300-E	 ANITZO AUTOMATION, INC. FRANKLIN PARK, IL 60131	
REVISION:	E		



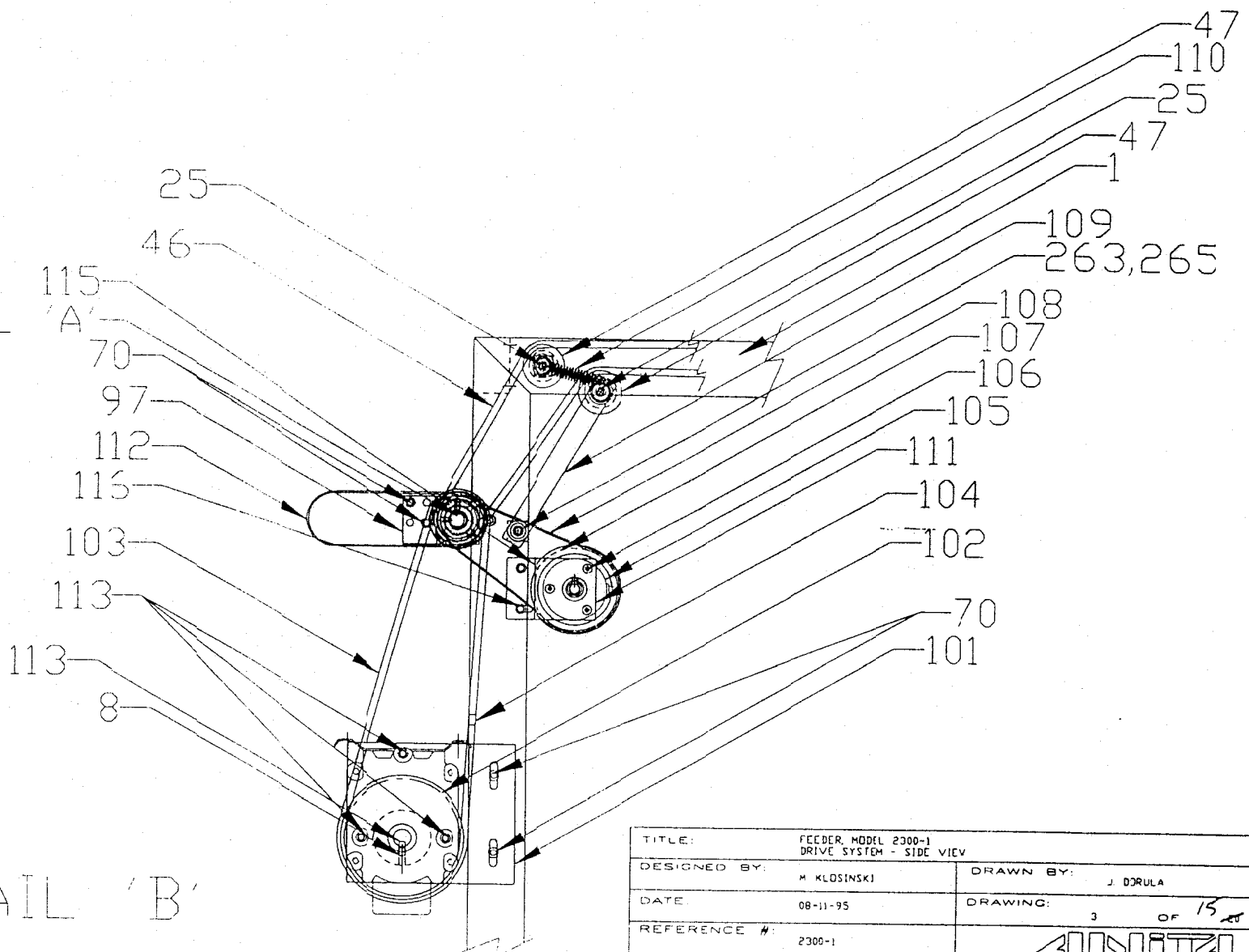



DETAIL 'A'

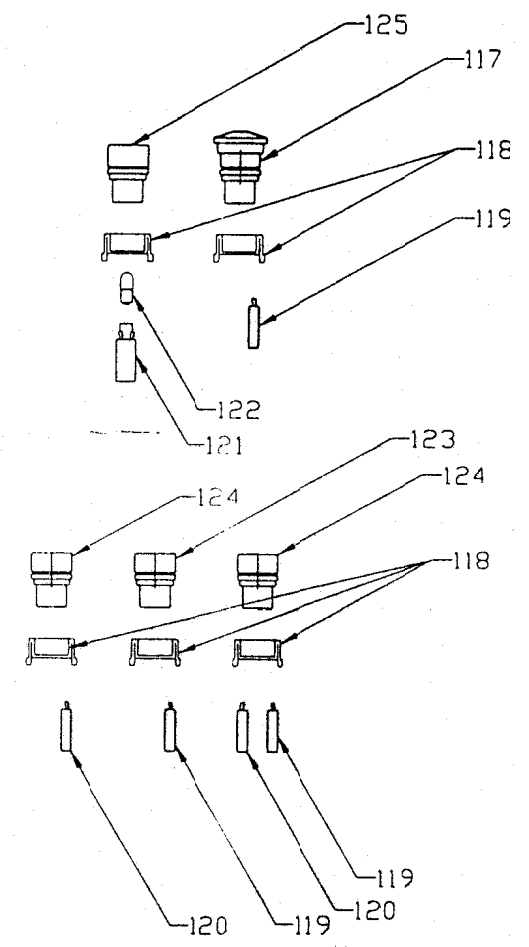
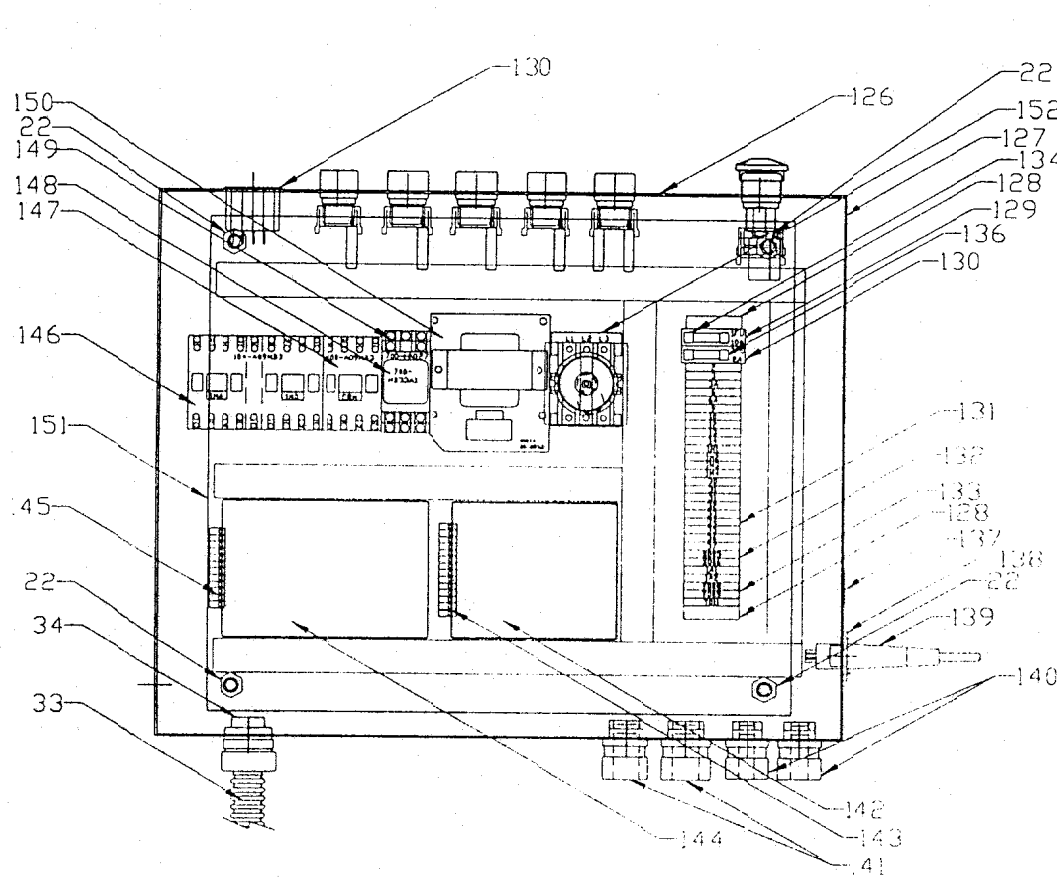
TITLE: FEEDER, MODEL 2300-1 DRIVE SYSTEM - FRONT VIEW		DRAWN BY J. DORULA	
DESIGNED BY: M. KLOSINSKI	DRAWING: 2 OF 15		
DATE: 08-11-95	REFERENCE #: 2300-1		
REVISION: A			

DETAIL 'A'

DETAIL 'B'



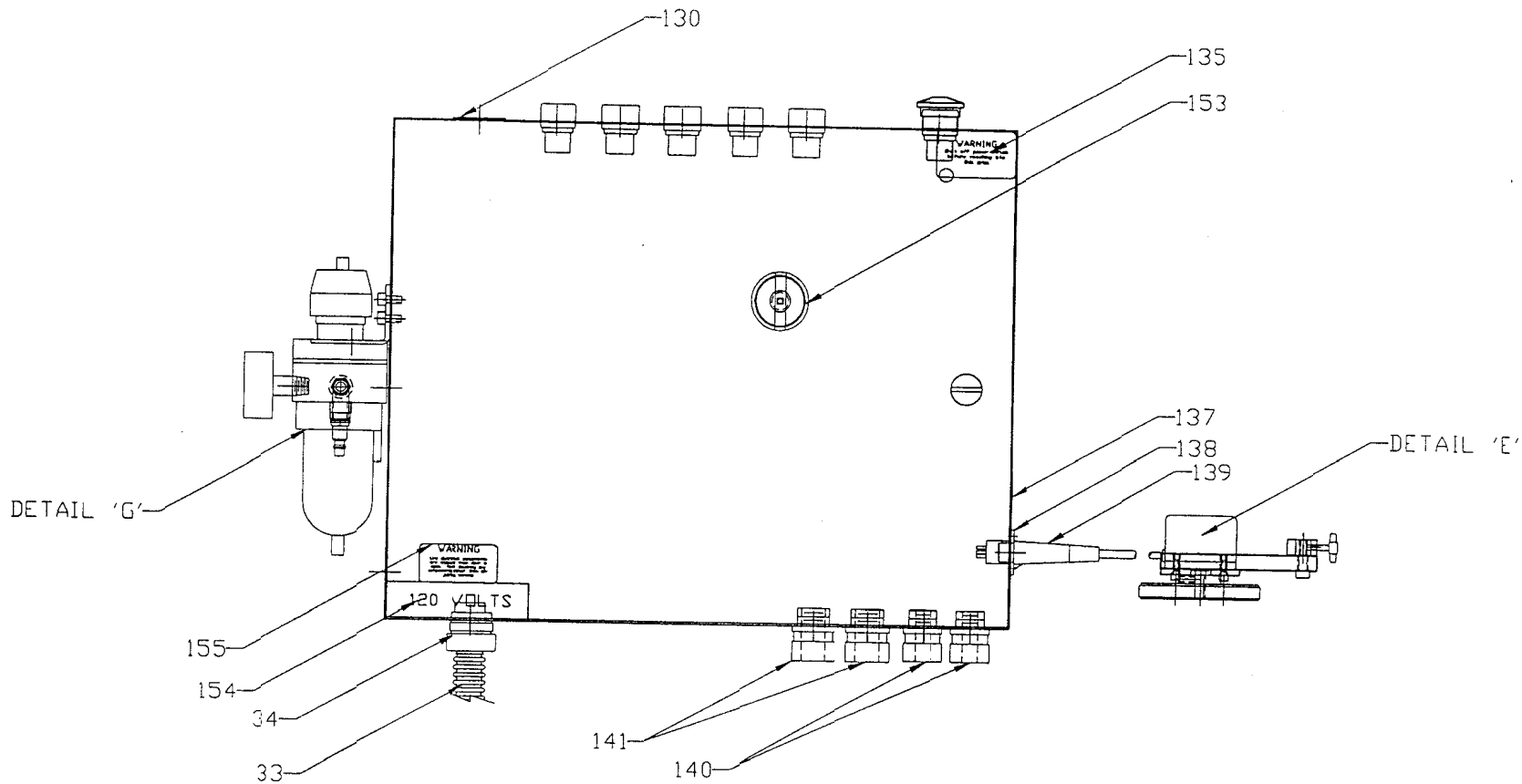
TITLE: FEEDER, MODEL 2300-1 DRIVE SYSTEM - SIDE VIEW	
DESIGNED BY: M. KLOSINSKI	DRAWN BY: J. DORULA
DATE: 08-11-95	DRAWING: 3 OF 15
REFERENCE #: 2300-1	 <small>FRANKLIN PARK, IL 60131</small>
REVISION: A	




DETAIL 'C'

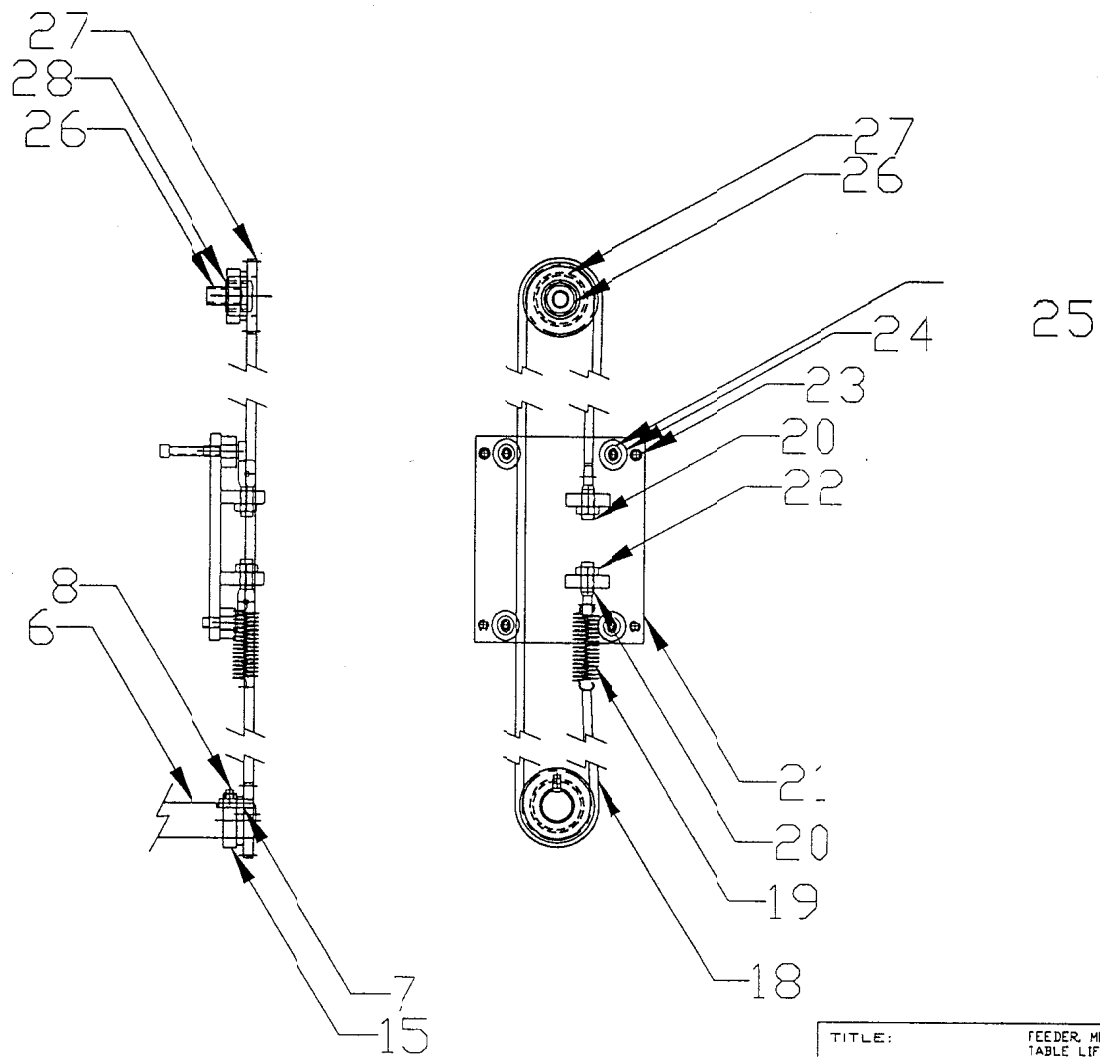
TITLE: FEEDER, MODEL 2300-1 CONTROL PANEL LAYOUT, PUSH BUTTON ASS'Y	
DESIGNED BY: K. KLOSINSKI	DRAWN BY: J. DORULA
DATE: (8-11-95)	DRAWING: OF 15
REFERENCE #: 2300-1	
REVISION: 4	





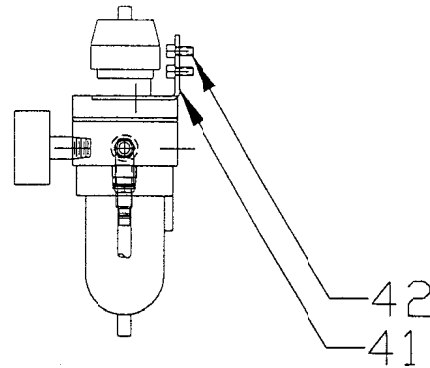
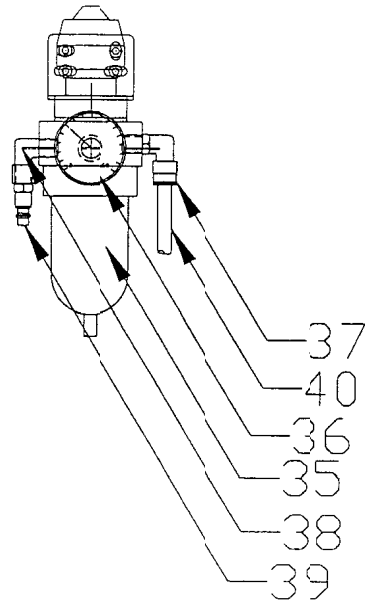
DETAIL 'D'

TITLE: FEEDER, MODEL 2300-1 ELECTRICAL ENCLOSURE - OUTSIDE	
DESIGNED BY: M. KLOSINSKI	DRAWN BY: J. DORULA
DATE: 08-11-95	DRAWING: 5 OF 15 <sup>REV</sup>
REFERENCE #: 2300-1	 FRANKLIN PARK, IL 60131
REVISION: A	




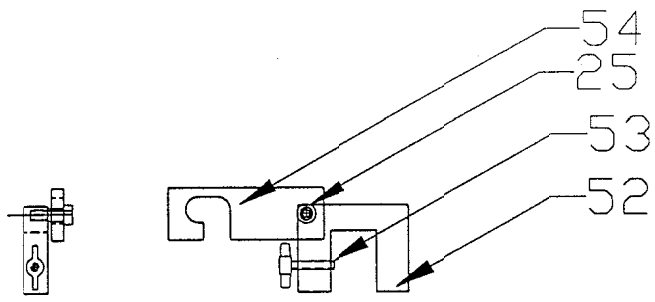
DETAIL 'F'

TITLE: FEEDER, MODEL 2300-1 TABLE LIFT ASS'Y		DRAWN BY: J. DORJLA	
DESIGNED BY: M. KLOSINSKI	DATE: 08-11-95	DRAWING: 7 OF 15 <sup>20</sup>	
REFERENCE #: 2300-1	REVISION: A	 AUTOMATION, INC. FRANKLIN PARK, IL 60131	

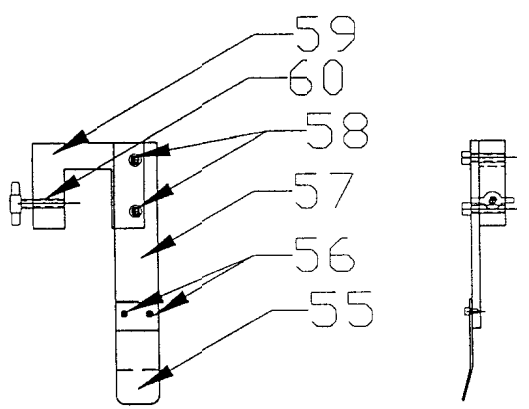


DETAIL 'G'

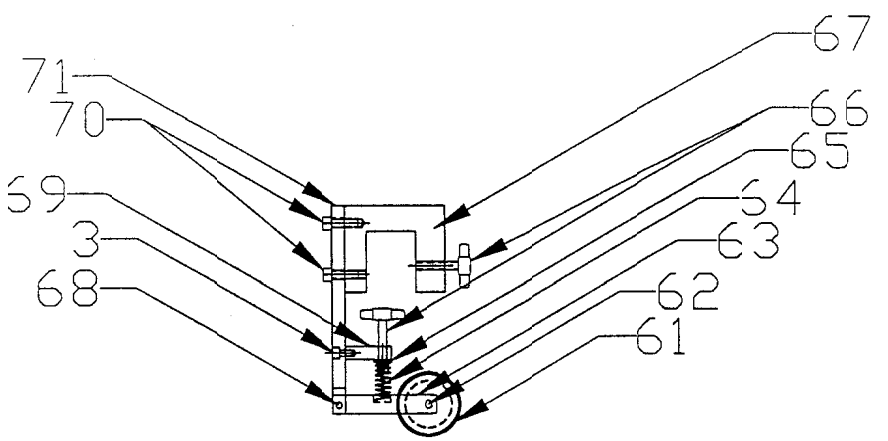
TITLE:		FEEDER, MODEL 2300-1 PRESSURE REGULATOR ASS'Y	
DESIGNED BY:	M. KLOSINSKI	DRAWN BY:	J. DORULA
DATE:	08-11-95	DRAWING:	8 OF 15
REFERENCE #:	2300-1	 <small>FRANKLIN PARK, L. 60131</small>	
REVISION:	A		




DETAIL 'H'

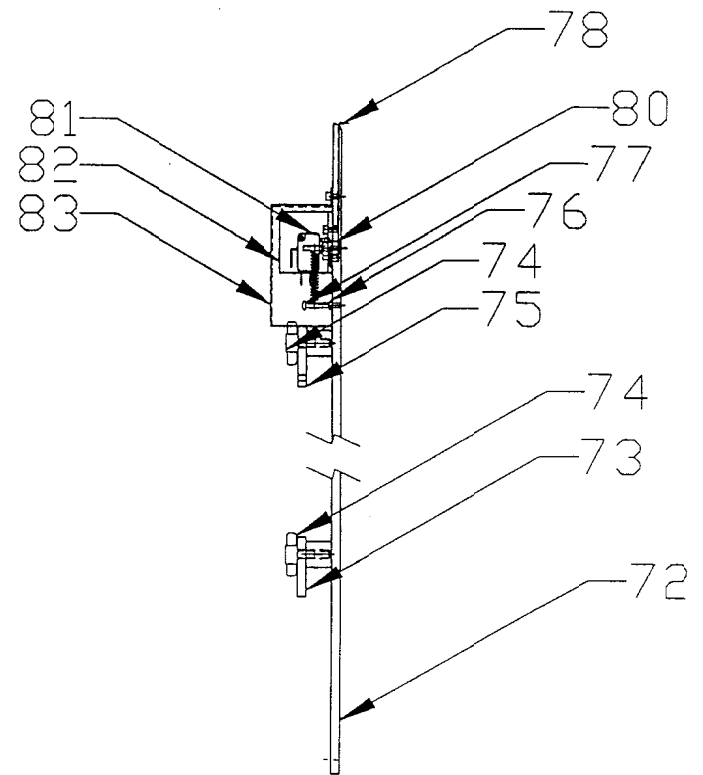
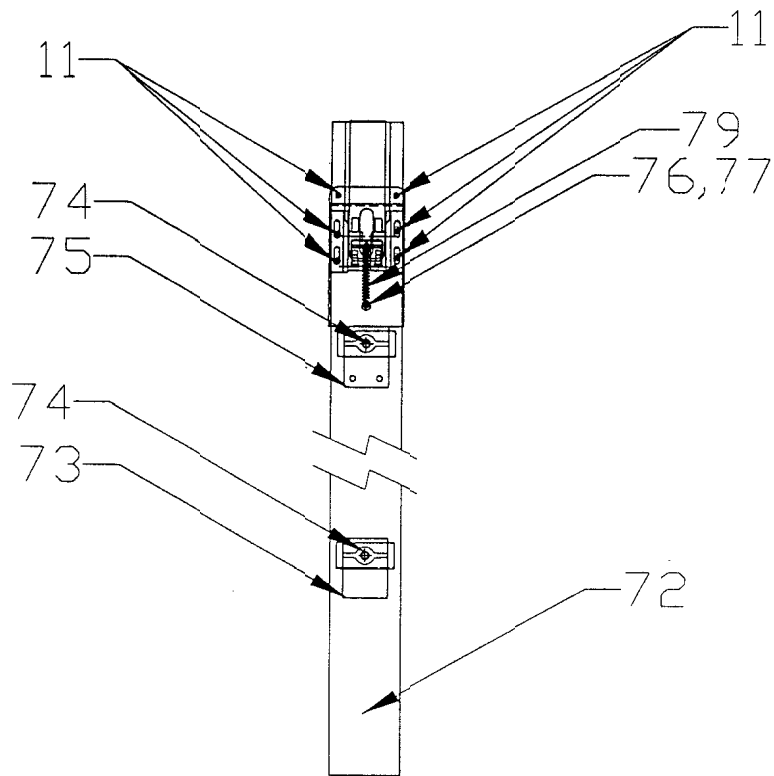


DETAIL 'I'



DETAIL 'J'

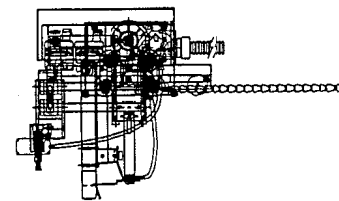
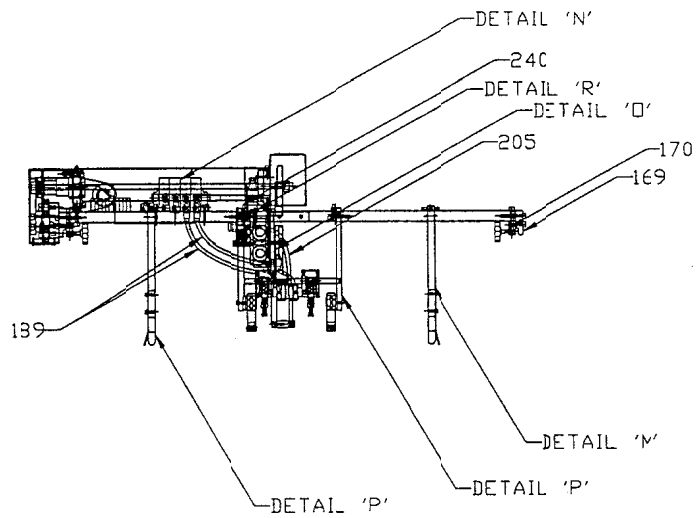
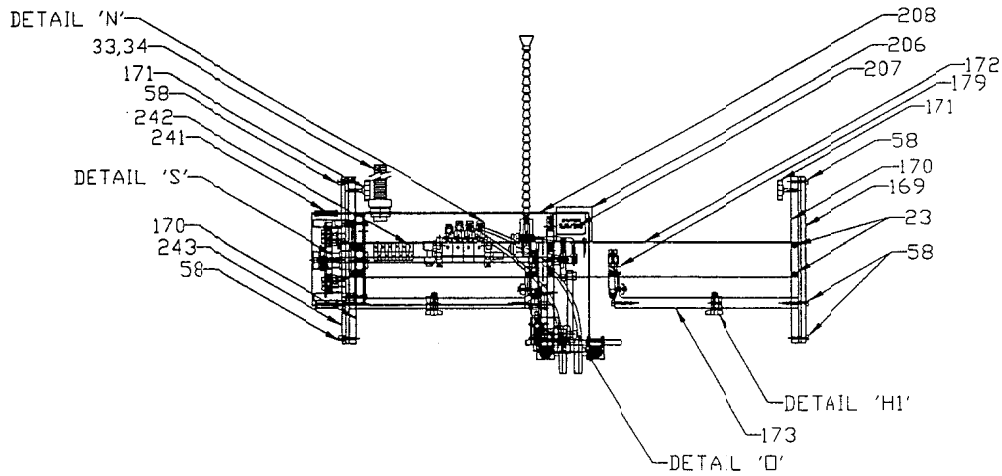
TITLE:	FEEDER, MODEL 2300-1 CONVEYOR HOOK-UP ASS'Y, PAPER FRONT GUIDE ASS'Y, PINCH ROLLER ASS'Y	
DESIGNED BY:	M. KLOSINSKI	DRAWN BY: J. DDRULA
DATE:	08-11-95	DRAWING: 9 OF 15 20
REFERENCE #:	2300-1	 <small>FRANKLIN PARK, ILL. 60131</small>
REVISION:	A	




DETAIL 'K'

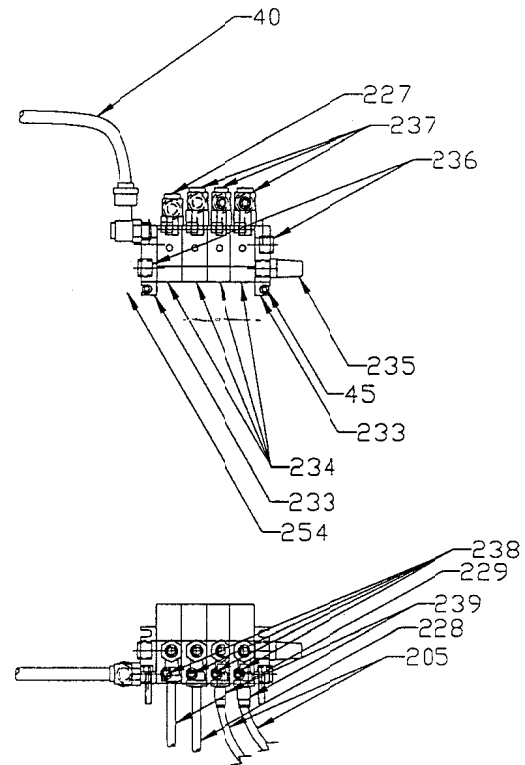
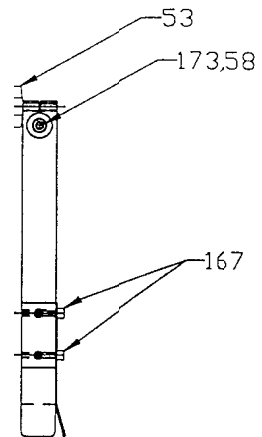
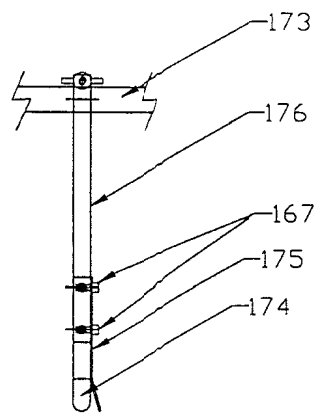
TITLE:	FEEDER, MODEL 2300-1 PAPER CLIP HEIGHT ASS'Y	
DESIGNED BY:	M. KLOSINSKI	DRAWN BY: J. DORULA
DATE:	08-11-95	DRAWING: 10 OF 120
REFERENCE #:	2300-1	
REVISION:	A	

**AUNITI**  
AUTOMATION, INC.  
FRANKLIN PARK, IL 60131




DETAIL 'L'

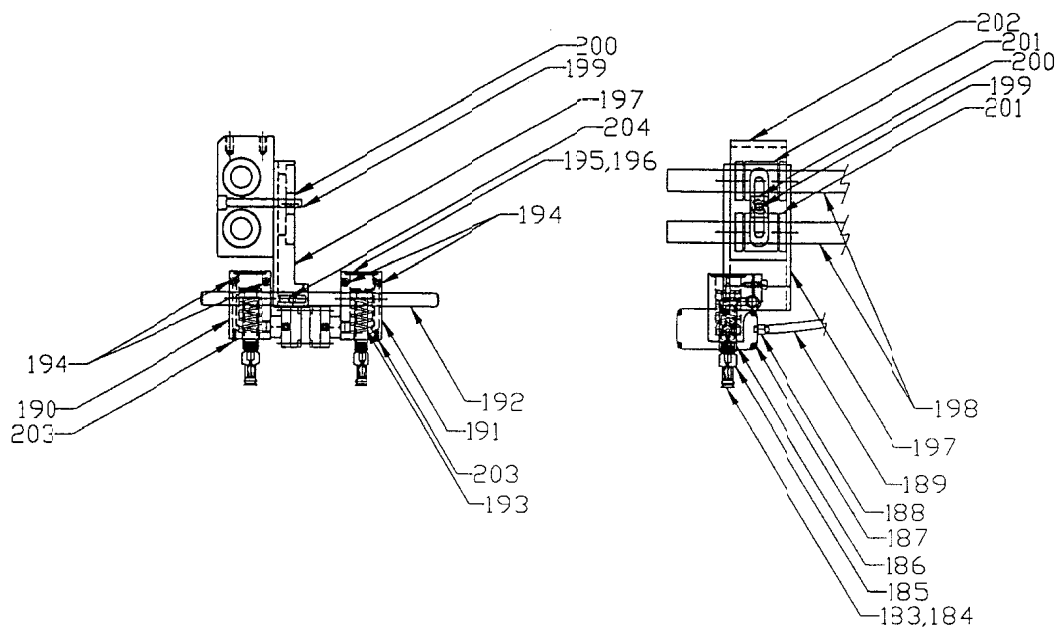
TITLE: FEEDER, MODEL 2300-1 GENERAL HEAD ASS'Y	
DESIGNED BY: M. KLOSINSKI	DRAWN BY: J. DORULA
DATE: 08-1-95	CRAWING: #1 OF .15
REFERENCE #: 2300-1	 <small>FRANKLIN PARK, IL 60131</small>
REVISION: A	



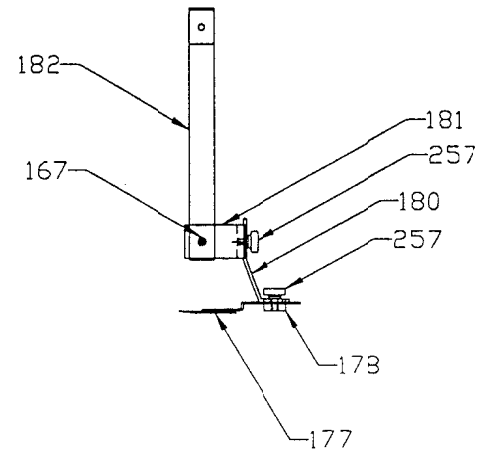
DETAIL 'N'

DETAIL 'M'

TITLE:	FEEDER, MODEL 2300(-1) REAR PAPER GUIDE ASS'Y, SLENDING ASS'Y	
DESIGNED BY:	M. KLOSINSKI	DRAWN BY: J. DORULA
DATE:	08-1-95	DRAWING: 12 OF 15
REFERENCE #:	2300-1	 <small>FRANKLIN PARK, IL 60131</small>
REVISION:	A	



DETAIL 'O'

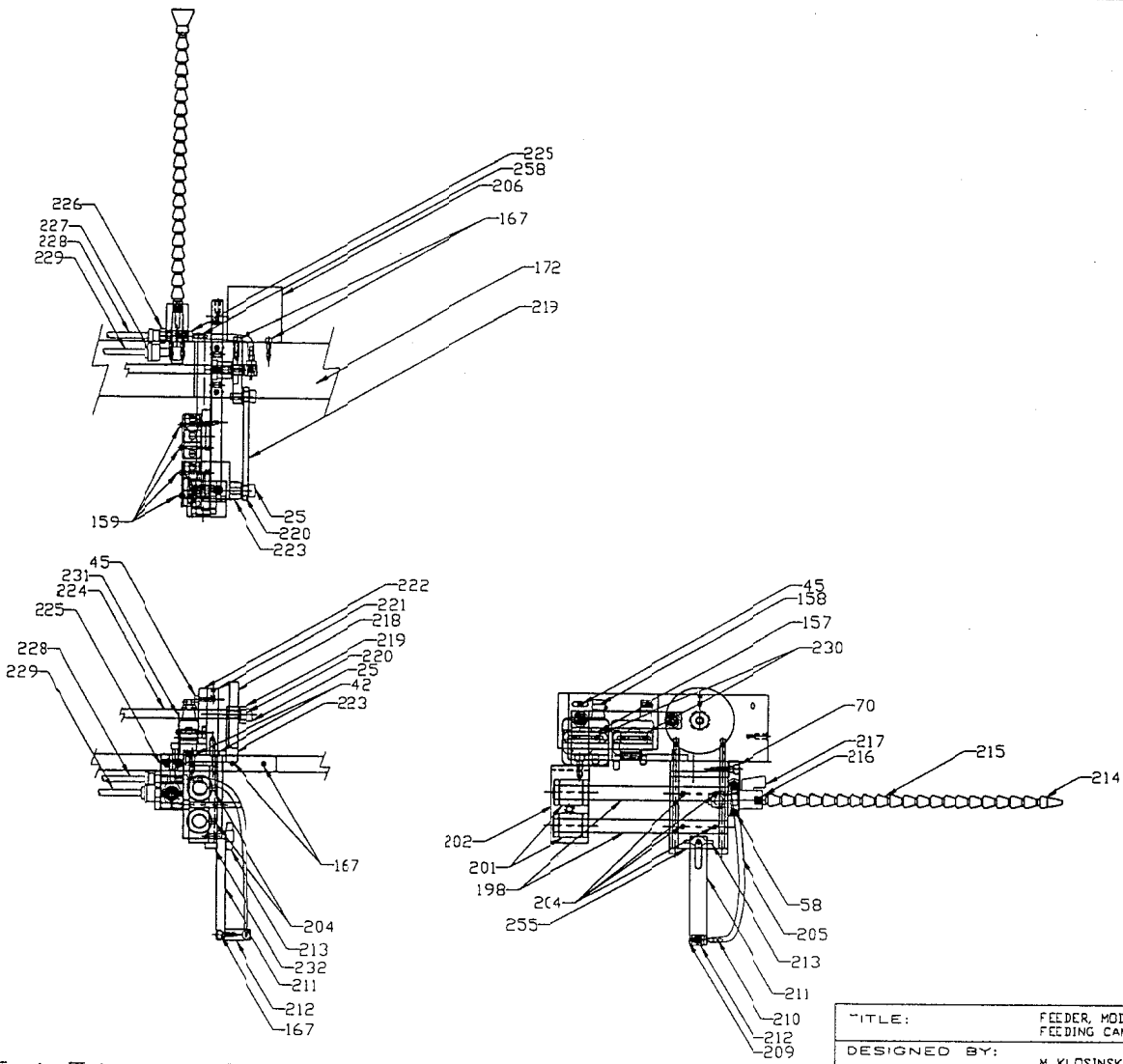


DETAIL 'P'

TITLE:	FEEIER, MODEL 2300-1 PAPER PICK-UP ASS'Y, SPRING CLIP ASS'Y	
DESIGNED BY:	M. KLOSINSKI	DRAWN BY: J. DORULA
DATE:	08-1-95	DRAWING: 13 OF 25
REFERENCE #:	2300-1	
REVISION:	A	

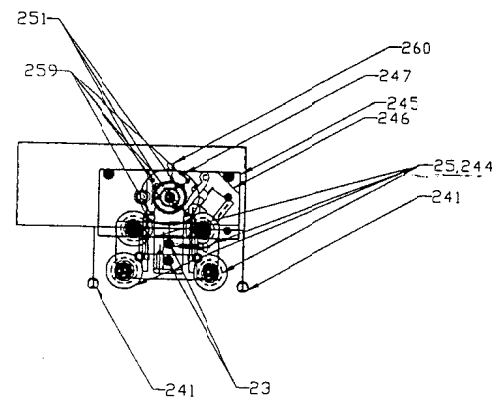
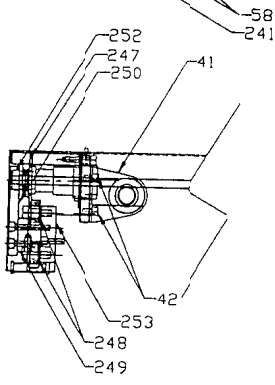
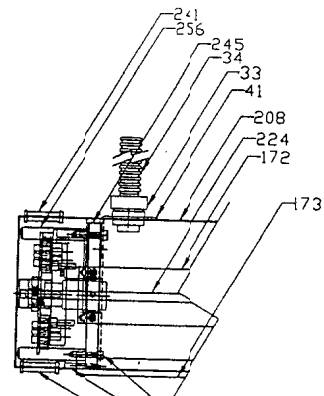
**ACONITTO**  
AUTOMATION, INC.

FRANKLIN PARK, IL 60131



DETAIL 'R'

TITLE: FEEDER, MODEL 2300-1 FEEDING CAM ASS'Y		DRAWN BY: J. DORULA	
DESIGNED BY: M. KLOSINSKI	DRAWING: 164 OF 160		
DATE: 08-11-95	REFERENCE #: 2300-1		
REVISION: A	 FRANKLIN PARK, IL 60131		



DETAIL 'S'

TITLE: FEEDER MODEL 2300-1 HEAD DRIVE ASS'Y		DRAWN BY: J. DORULA	
DESIGNED BY: M. KLODINSKI	DATE: 08-11-95		DRAWING: 13 OF 15
REFERENCE #: 2300-1	REVISION: A		 AUTOMATION, INC. FRANKLIN PARK, IL 60131