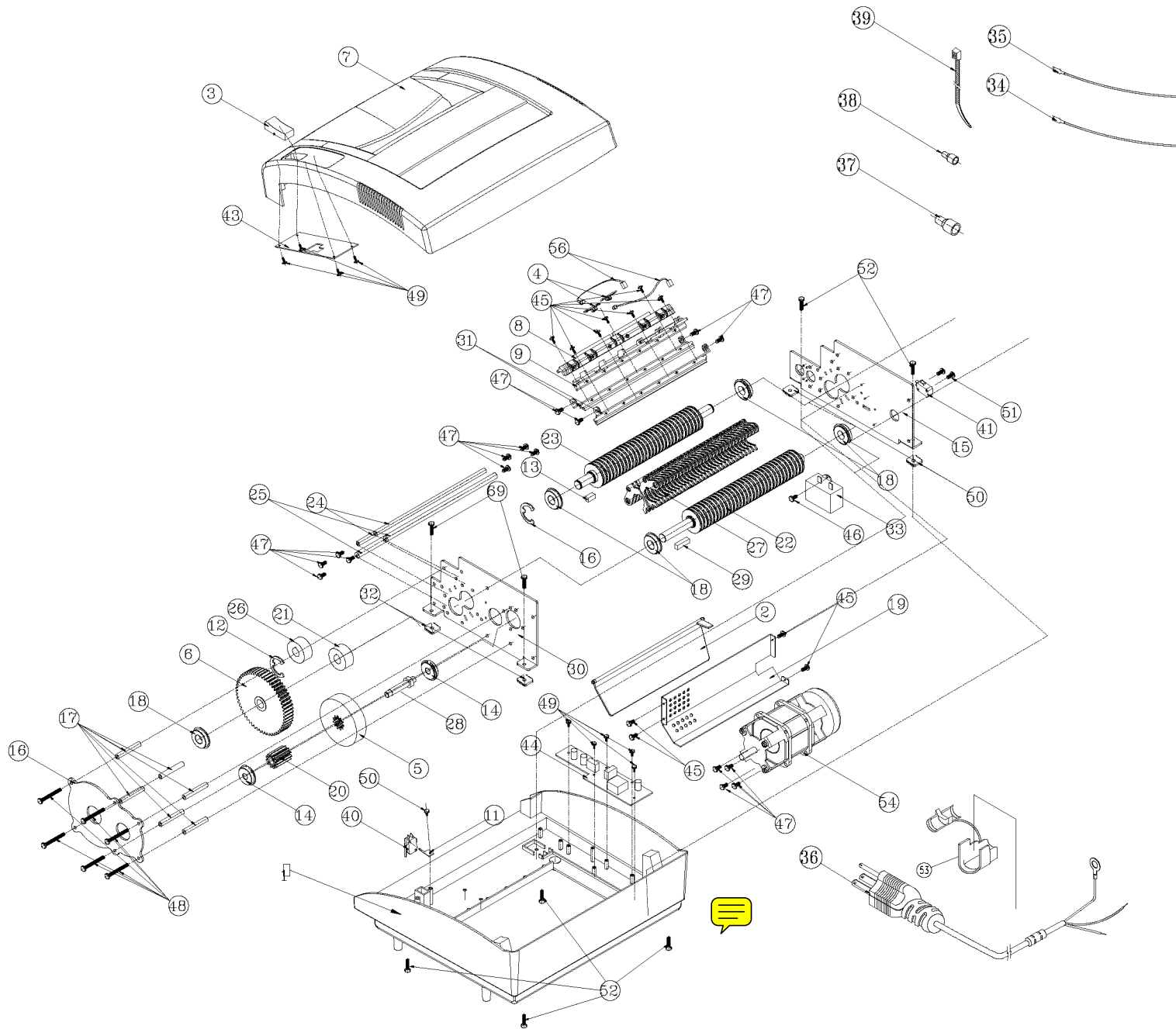


2250X-2 HEAD ASSY



54	66000000190X	AC MOTOR 90 MM 115V	1	
53	690200007300	TUBE PLASTICS #4 L=20MM	1	
52	153501657110	P-T/SCREW MM M5 16MM	10	
51	152400627111	C-M/SCREW MM M4 6MM	2	
50	152301239110	C-M/SCREW MM M3 12MM	5	
49	152300627110	SCREW-C-M/SCREW MM#3 6MM	25	
48	151505707110	SCREW S	6	
47	151501031110	M/SCREW MM M5 10MM	20	
46	151401227110	M/SCREW MM M4 12MM	4	
45	151300621110	M/SCREW MM M3 6MM	17	
44	91020002903X	GBC 2250X POWER PCB ASS'Y	1	
43	91020002902X	GBC 2250 MICRO IC PCB ASS'Y	1	
42	91000012452X	GBC 2000 AUTO EYE ASS'Y	1	
41	91000011007X	GBC 2250S BIN FULL ASS'Y	1	
40	91000011006X	GBC 2250S SAFETY SW ASS'Y	1	
39	710100006100	CABLE TIE HW-045 L=120mm	7	
38	690300006400	CNT POWER	4	
37	690300005700	CNT POWER	3	
36	640100075000	CABLE POWER 3 PIN US	1	
35	630152000434	LW UL1015 #20 240MM	1	
34	630152000433	LW UL1015 #20 250MM	1	
33	56430661201X	PLS-DIP 30uF 250V	1	
32	18020000754X	2230S-2 RUBBER	4	
31	13046760010X	PAPER HOLDER	2	
30	13042270010X	PLATE B (MOTOR)	1	
29	13042480010X	SLIDING KEY	1	
28	13042470010X	GEAR A SHAFT	1	
27	13042450010X	PAPER GUIDE T=1.6	122	
26	13042430010X	GEAR C 19T	1	
25	13042410010X	10MM SUPPORT BOSS	2	
24	13042400010X	8MM SUPPORT BOSS	2	
23	13042390010X	4*35 KNIFE B	1	
22	13042380010X	4*35 KNIFE A	1	
21	13042350010X	GEAR-B-1 19T	1	
20	13042340010X	GEAR-A-1 11T	1	
19	13042310010X	MOTOR SHIELD	1	
18	13042300010X	6002 BEARING	5	
17	13042290010X	SUPPER-BOSS	6	
16	13042280010X	PLATE C	1	
15	13042260010X	PLATE A	1	
14	13038130010X	BEARING 6200	2	
13	13038110010X	SLIDING KEY B	1	
12	13016500010X	#15 C-RING H-CARBON STEEL	1	
11	13007310010X	SWITCH FIXER	1	
10	10085130010X	PLASTIC PAPER HOLDER	33	
09	10084700010X	PAPER-HOLDER-RIG	1	
08	10084690010X	PAPER-HOLD-LEFT	1	
07	10006020010X	TOP COVER	1	
06	10080720010X	GEAR B	1	
05	10080711010X	GEAR-A-1	1	
04	10080660010X	LED HOLDER	2	
03	10006170010X	SWITCH CAP	1	
02	10006070010X	FLAP	1	
01	10006031011X	HUSING BOTTOM	1	
ITEM	PART NO.	DESCRIPTION	Q'TY	REMARK