



2250X PARTS LIST



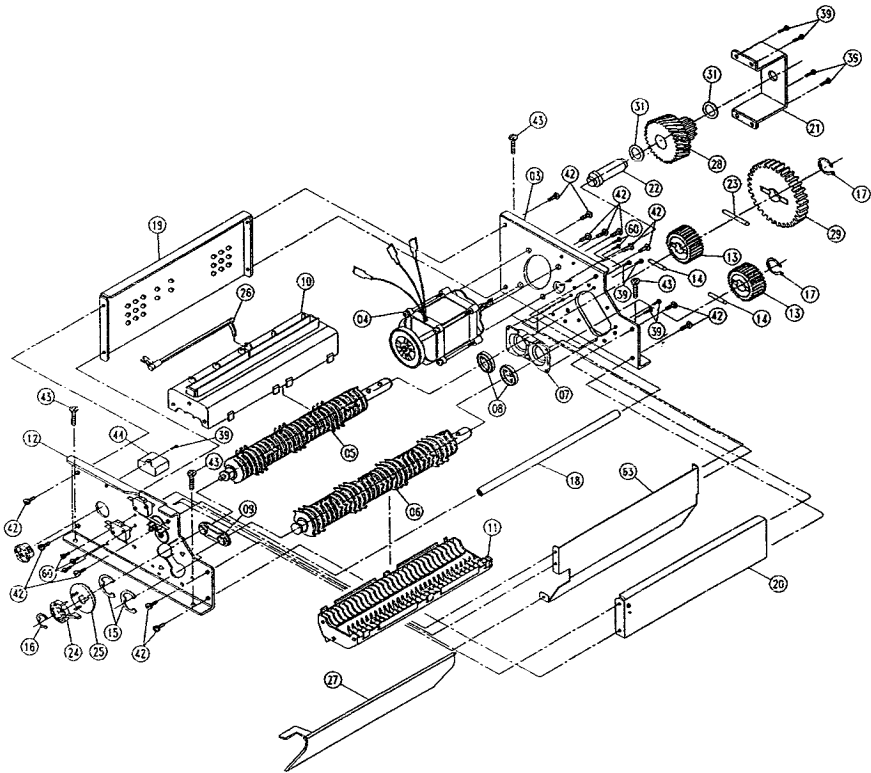
GBC IS AN ACCO BRANDS COMPANY

**2250X Figure 8.4
Exploded View Parts List**

				QTY	
*			Warning Label		1
*		KL7350000A	Warning Label	1	
13	1751931	XF2501000X	Name Plate	1	1
12	-REF-	S1VKF00000	Screw 5X16 Tapping	8	8
11	-REF-	S1DJN0000F	3X8 With Washer	3	3
10	-REF-	S1RYN00000	Screw #3X8 Tap	14	14
9	-REF-	S1VGF0000E	Screw M4X8 P Gear Washer	10	10
8	6202038	ESWC02270X	Micro Switch, Door	1	1
7		ASYMO7421A	Fuse PCB		1
7	1751901	ASYMO7149X	Fuse PCB	1	
6		ASYMO7148A	PCB, Control		1
6	1751717	ASYMO7367X	PCB, Control	1	
5	1751902	XF0400000X	Strain Relief Bushing		1
4	1751903	EACC0351SA	AC Power Cord	1	
3	1751904	PW040A068A	Switch Cap	1	1
2	1751932	PV240XXXXX	Bottom-Housing	1	1
1	1751906	PV230A1E1B	Housing-Top	1	1
ITEM	PRT NO.	REF. NO.	DESCRIPTION	115V	230V

* Not shown located on the bottom cover

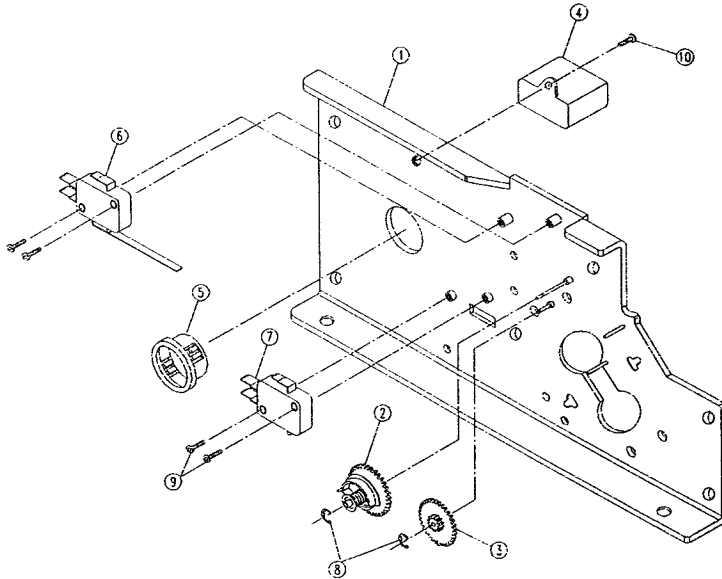
2250X Exploded View
Figure 8.5



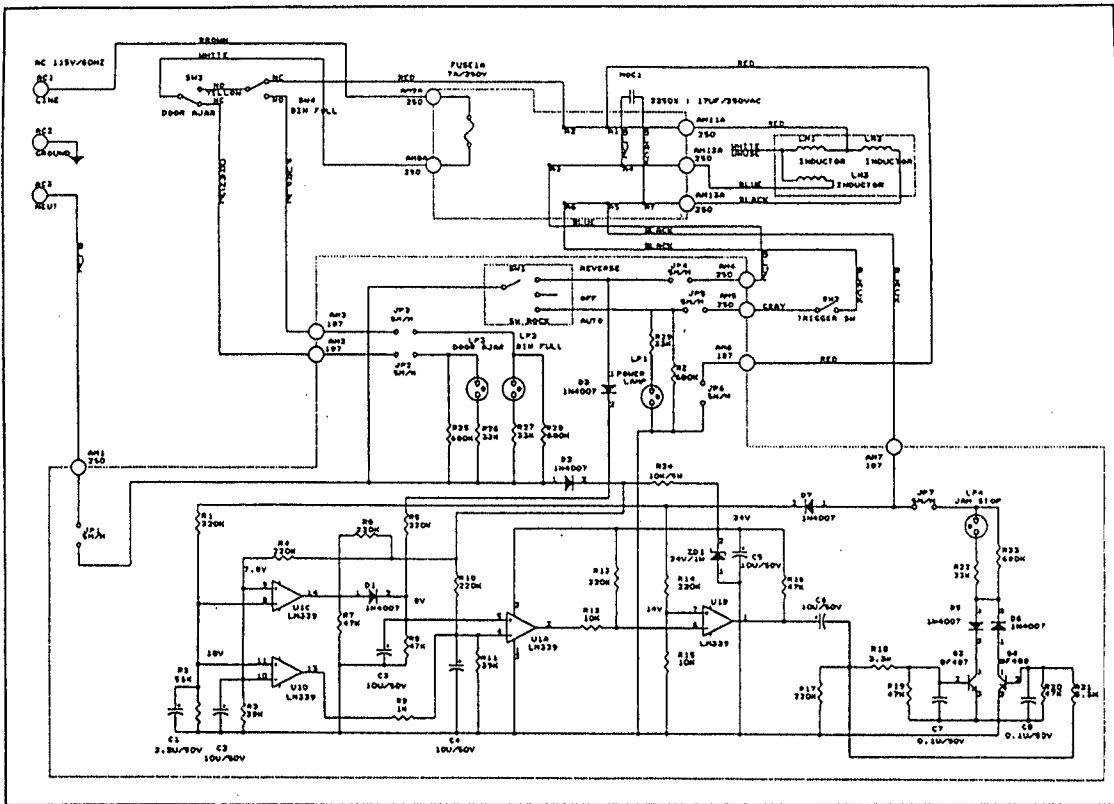
**2250X Figure 8.5
Exploded View Parts List**

					QTY	
44		ECAP606700	Capacitor 7.5uf/400VAC			1
44	1751947	ECAP60300X	Capacitor 20uf/250VAC		1	1
43	-REF-	S1VKF00000	Screw #5X16 B Tapping		8	8
42	-REF-	S1VFF0000E	Screw #5X10 B Gear Washer		14	14
31	-REF-	X99800000X	Spacer		2	2
29	1751938	PV880D7XXX	Spur Gear 50T		1	1
28	1751766	PV870H5XXX	Gear -A 53T+11T		1	1
27	1751922	PV300XXXXX	Flap		1	1
26	1751716	PV290XXXXX	Auto Parts		1	1
25	6180021	PH820HOXXX	Auto Gear 32T		1	1
24	1751921	PH810HOXXX	Rev Cam		1	1
23	1750713	MM0600000X	Knife Shaft Pin		1	1
22	1751920	ML6500000X	Gear Shaft		1	1
21	1751919	ML6200000X	Gear Holder		1	1
20	1751918	ML6100000X	Plate-D		1	1
19	1751917	ML5000000X	Plate-C		1	1
18	1751916	MIA4800000X	Side Plate Support		1	1
17	-REF-	MC5000000X	#15 C-Ring		2	2
16	-REF-	MC4700000X	#5 E-Ring		1	1
15	-REF-	MC4600000X	#12 E-Ring		2	2
14	1751915	MC3400000X	Knife Pin		2	2
13	6180029	MC1000000X	Spur Gear-A 20T		2	2
12	1751939	ASYMO5833X	Plate-A Ass'y		1	1
11	1751937	PV280XXXXX	Paper Guide - Bottom		1	1
10	1751936	PV270XXXXX	Paper Guide - Top		1	1
9	1750714	MC2300000X	Bushing		1	1
8	1751911	MM0900000X	Bearing 6002		2	2
7	1751910	ML6600000X	Bearing Holder		1	1
6	1751935	ASP08387A	Cross Cutter (B) Ass'y		1	1
5	1751934	ASP08386A	Cross Cutter (A) Ass'y		1	1
4		EMTR01030A	2P AC Motor			1
4	1751767	EMTR00990X	2P AC Motor		1	
3		ASYMO7044A	Plate-B			1
3	1751933	ML7400000X	Plate-B		1	
ITEM	PRT NO.	REF. NO.	DESCRIPTION		115V	230V

2250X Exploded View
Figure 8.6

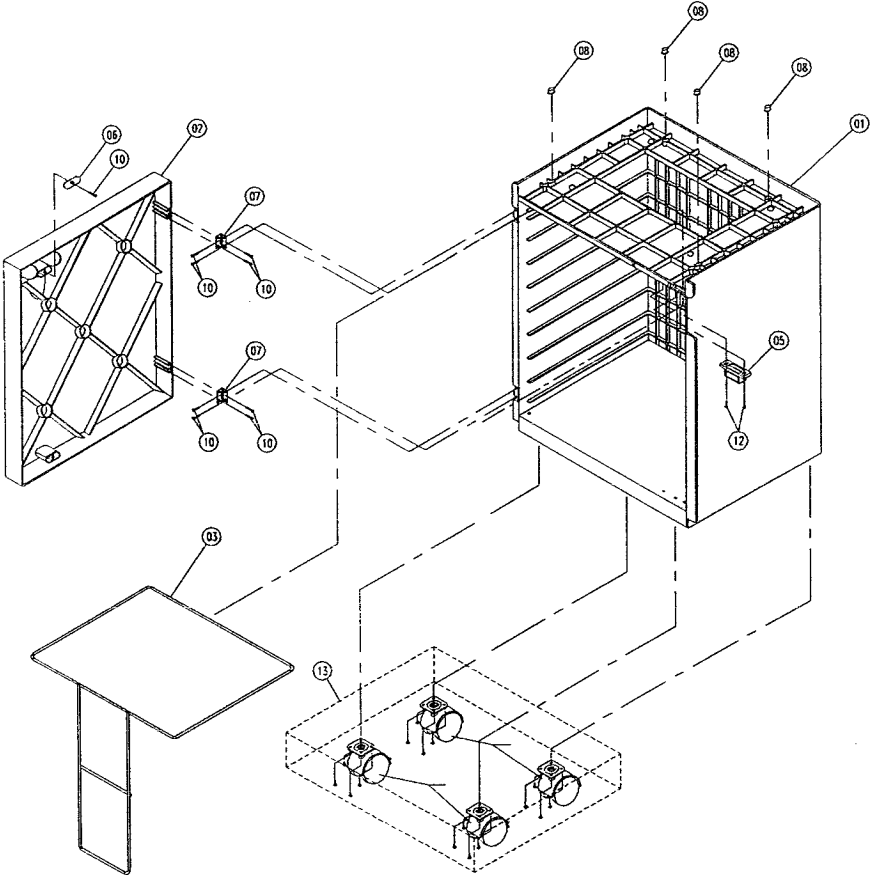


ITEM	PRT NO.	REF. NO.	DESCRIPTION	QTY	
				115V	230V
10	-REF-	S1VGF0000X	Screw M4X8P Gear Washer	1	1
9	-REF-	S1CFN0000X	M3 X 14	2	2
8	-REF-	MA840000X	#1.5 E-Ring	2	2
7	1751930	ESWCO2280X	Micro Switch	1	1
6	1750294	ESWC03000X	Trigger Switch	1	1
5	1751929	XF1400000X	Snap Bushings	1	1
4		ECAP606700	Capacitor 7.5uF/400VAC		1
4	1751947	ECAP60300X	Capacitor 20uF/250VAC	1	
3	1750308	PC370HOXXX	Gear (A)	1	1
2	1751928	ASYMO2755X	Auto Cam Ass'y	1	1
1	1751927	ML7500000X	Plate-A	1	1



2250X 115V Wiring Schematic

2230S/2250X Cabinet Exploded View
Figure 8.7



2230S/2250X Cabinet Parts List
Figure 8.7

				QTY	
*		KL8201200A	Bag Reorder Label		1
*			Bag Reorder Label	1	
13	1751707	ASYP07137A	Castor Set	1	1
12	-REF-	S1VJN0000X	Screw 3X12 Washer Tapping	2	2
11	-REF-	S1VIF0000X	Screw M4X14	4	4
10	-REF-	S1VDB0000X	Screw #3X12 Type P F Black	9	9
8	1751946	XF1100000A	Cushion	4	4
7	1751945	MH1300000A	Hinge	2	2
6	1751944	MM1000000A	Magnet Plate	2	2
5	1751943	XF1500000A	Magnet	2	2
4	1751942	MN210Z000A	Support Bar	2	2
3	1751706	ML640L900A	Bag Rim	1	1
2	1751941	PV830JOE1A	Door	1	1
1	1751940	ASYM05835A	Cabinet Ass'y	1	1
ITEM	PRT NO.	REF. NO.	DESCRIPTION	115V	230V

* Not shown