

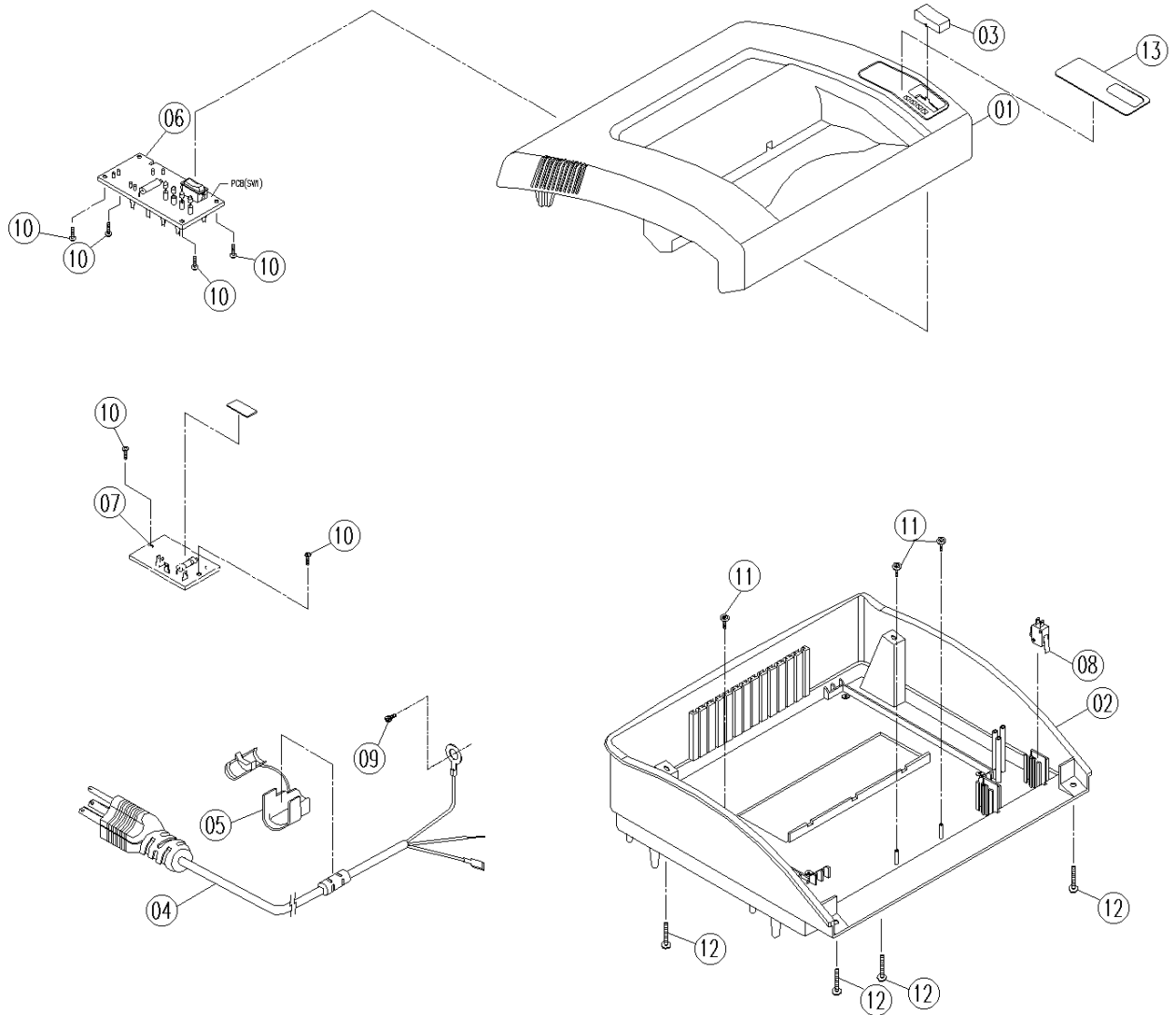


2230S/2250X PARTS LIST



GBC IS AN ACCO BRANDS COMPANY

Section 8.0 2230S/2250X Parts List
2230S Exploded View
Figure 8.1

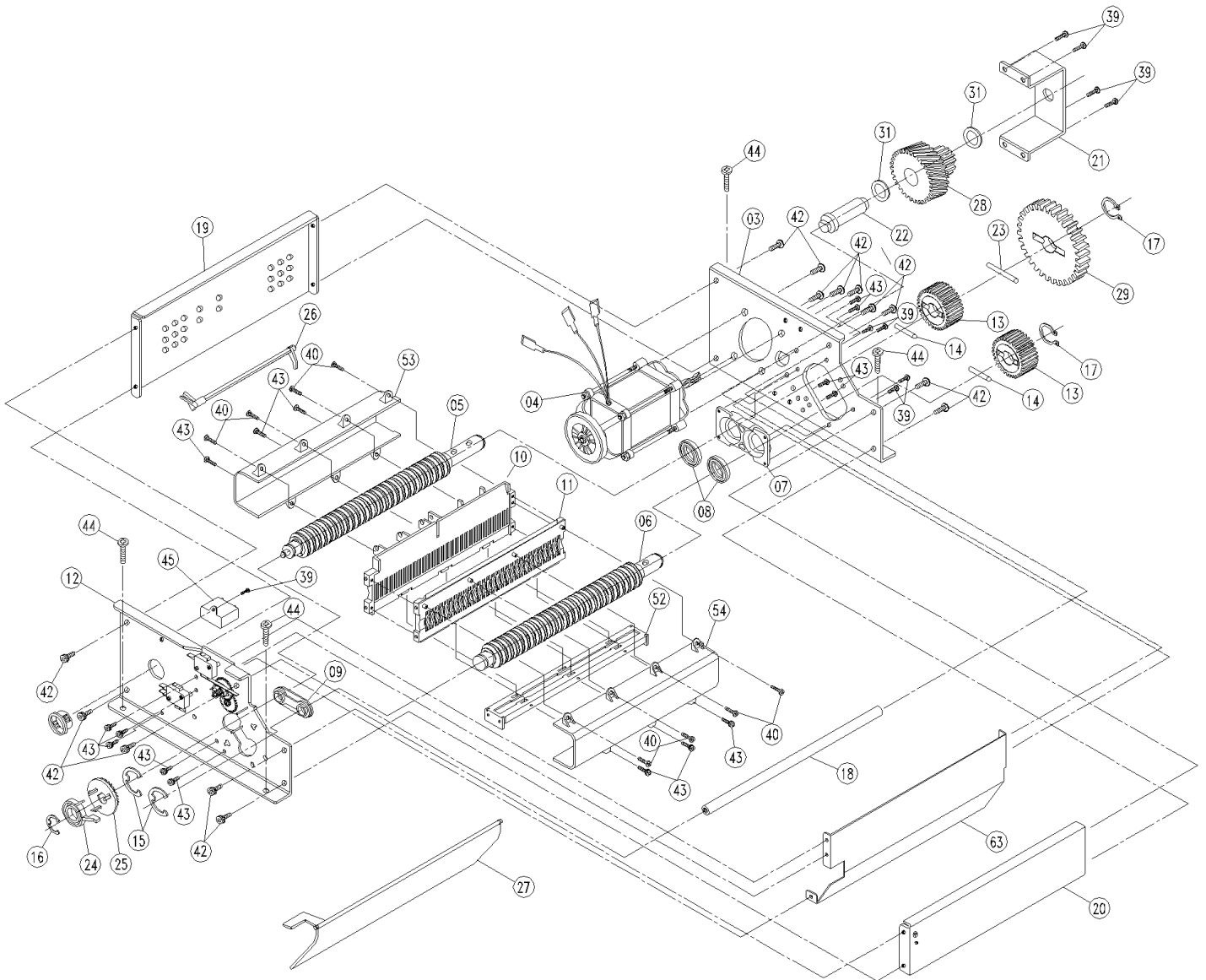


Section 8.0 2230S/2250X Parts List
2230S Parts List
Figure 8.1

				QTY	
*	1751726	KL7350000A	Warning Label	1	1
13	1751900	XF2500000A	Name Plate	1	1
12	-REF-	S1VKF00000	Screw 5X16 Tapping	8	8
11	-REF-	S1DJN0000F	3X8 With Washer	3	3
10	-REF-	S1RYN00000	Screw #3X8 Tap	14	14
9	-REF-	S1VGF0000E	Screw M4X8 P Gear Washer	10	10
8	6202038	ESWC02270X	Micro Switch, Door	1	1
7	1751726	ASYMO7421A	Fuse PCB		1
7	1751901	ASYMO7149X	Fuse PCB	1	
6	1751727	ASYMO7148A	PCB, Control		1
6	1751717	ASYMO736X	PCB, Control	1	
5	1751902	XF0400000X	Strain Relief Bushing	1	1
4	1751903	EACC0351SA	AC Power Cord	1	
3	1751904	PW040A068A	Switch Cap	1	1
2	1751905	PV241A18ZA	Bottom-Housing	1	1
1	1751906	PV230A1E1B	Housing-Top	1	1
ITEM	PRT NO.	REF. NO.	DESCRIPTION	115V	230V

* Not shown located on the bottom cover

Section 8.0 2230S/2250X Parts List
2230S Exploded View
Figure 8.2



Section 8.0 2230S/2250X Parts List

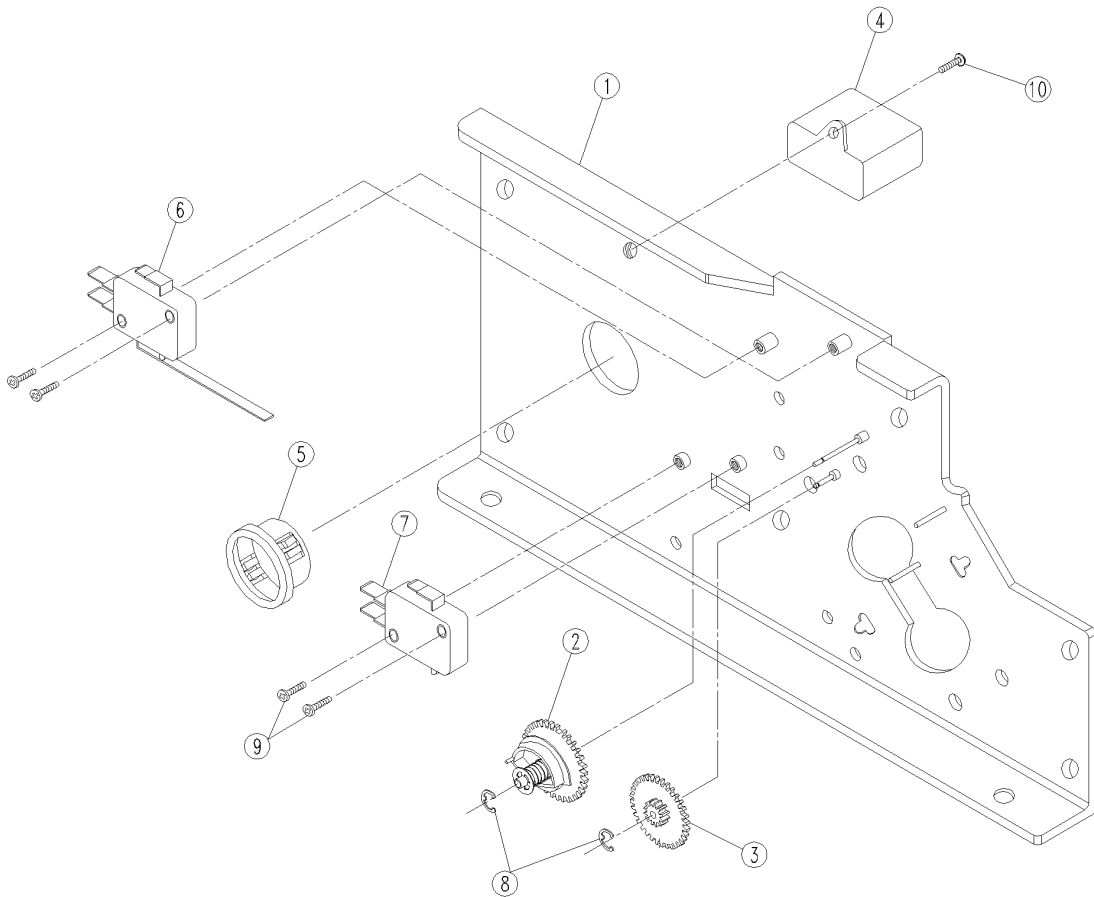
2230S Parts List

Figure 8.2

QTY

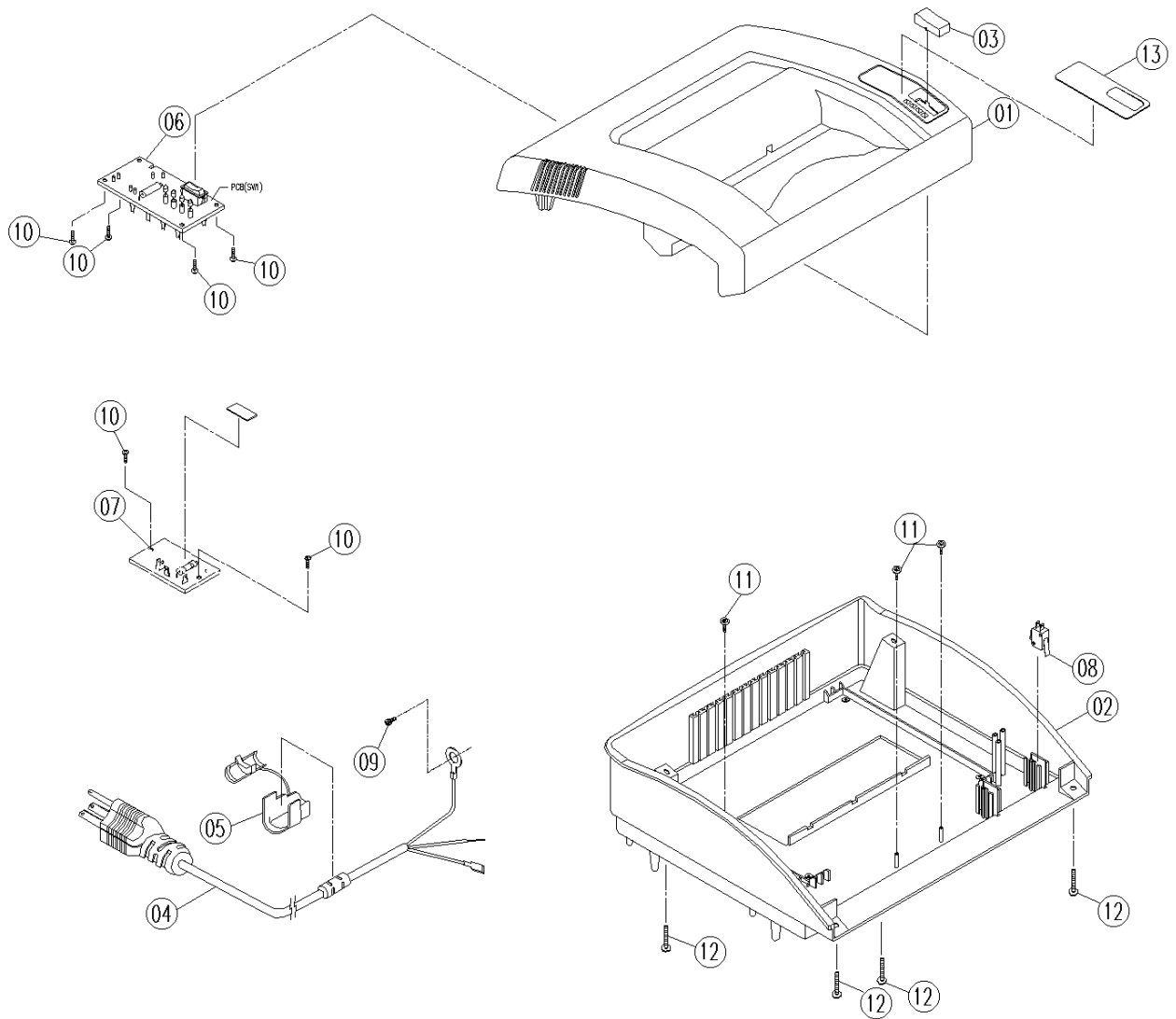
ITEM	PRT NO.	REF. NO.	DESCRIPTION	115V	230V
54	1751926	PW240XXXXX	Knife Cover-Front	1	1
53	1751925	PW250XXXXX	Knife Cover-Rear	1	1
52	1751924	ML6300000X	Paper Guide-Bracket	1	1
45	1751728	ECAP606600	Capacitor 9uf/400VAC		1
45	1751923	ECAP60310X	Capacitor 30uf/250VAC	1	
43	-REF-	S1VHF0000E	Screw M3X8 P Gear Washer	15	15
42	-REF-	S1VFF0000E	Screw M5X10 B Gear Washer	14	14
31	-REF-	X99800000X	Spacer	2	2
29	1751708	PV860D7XXX	Spur Gear 45T	2	2
28	1751709	PV850H5XXX	Gear -A 47T+13T	1	1
27	1751922	PV300XXXXX	Flap	1	1
26	1751716	PV290XXXXX	Auto Parts	1	1
25	6180021	PH820HOXXX	Auto Gear 32T	1	1
24	1751921	PH810HOXXX	Rev Cam	1	1
23	1750713	MM0600000X	Knife Shaft Pin	1	1
22	1751920	ML6500000X	Gear Shaft	1	1
21	1751919	ML6200000X	Gear Holder	1	1
20	1751918	ML6100000X	Plate-D	1	1
19	1751917	ML5000000X	Plate-C	1	1
18	1751916	MIA4800000X	Side Plate Support	1	1
17	-REF-	MC5000000X	#15 C-Ring	2	2
16	-REF-	MC4700000X	#5 E-Ring	1	1
15	-REF-	MC4600000X	#12 E-Ring	2	2
14	1751915	MC3400000X	Knife Pin	2	2
13	6180029	MC1000000X	Spur Gear-A 20T	1	1
12	1751914	ASYMO5841X	Plate-A Ass'y	1	1
11	1751913	PV260XXXXX	Paper Guide - Front	1	1
10	1751912	PV250XXXXX	Paper Guide - Rear	1	1
9	1750714	MC2300000X	Bushing	1	1
8	1751911	MM0900000X	Bearing 6002	2	2
7	1751910	ML6600000X	Bearing Holder	1	1
6	1751909	ASYMO5840X	4mm Knife Shaft(B) Ass'y	1	1
5	1751908	ASYM04839X	4mm Knife Shaft(A) Ass'y	1	1
4	1751729	EMTR01040A	2P AC Motor		1
4	1751718	EMTR01010X	2P AC Motor	1	
3	1751735	ASYMO7045A	Plate-B		1
3	1751907	ML7300000X	Plate-B	1	

Section 8.0 2230S/2250X Parts List
2230S Exploded View "Plate-A"
Figure 8.3



ITEM	PRT NO.	REF. NO.	DESCRIPTION	QTY	
				115V	230V
10	-REF-	S1VGF0000X	Screw M4X8P Gear Washer	1	1
9	-REF-	S1CFNOOOOX	M3 X 14	2	2
8	-REF-	MA8400000X	#1.5 E-Ring	2	2
7	1751930	ESWCO2280X	Micro Switch	1	1
6	1750294	ESWC03000X	Trigger Switch	1	1
5	1751929	XF1400000X	Snap Bushings	1	1
4	1751728	ECAP606600	Capacitor 9uF/250VAC		1
4	1751923	ECAP60310X	Capacitor 30uF/250VAC	1	
3	1750308	PC370HOXXX	Gear (A)	1	1
2	1751928	ASYMO2755X	Auto Cam Ass'y	1	1
1	1751927	ML7500000X	Plate-A	1	1
ITEM	PRT NO.	REF. NO.	DESCRIPTION	115V	230V

Section 8.0 2230S/2250X Parts List
2250X Exploded View
Figure 8.4

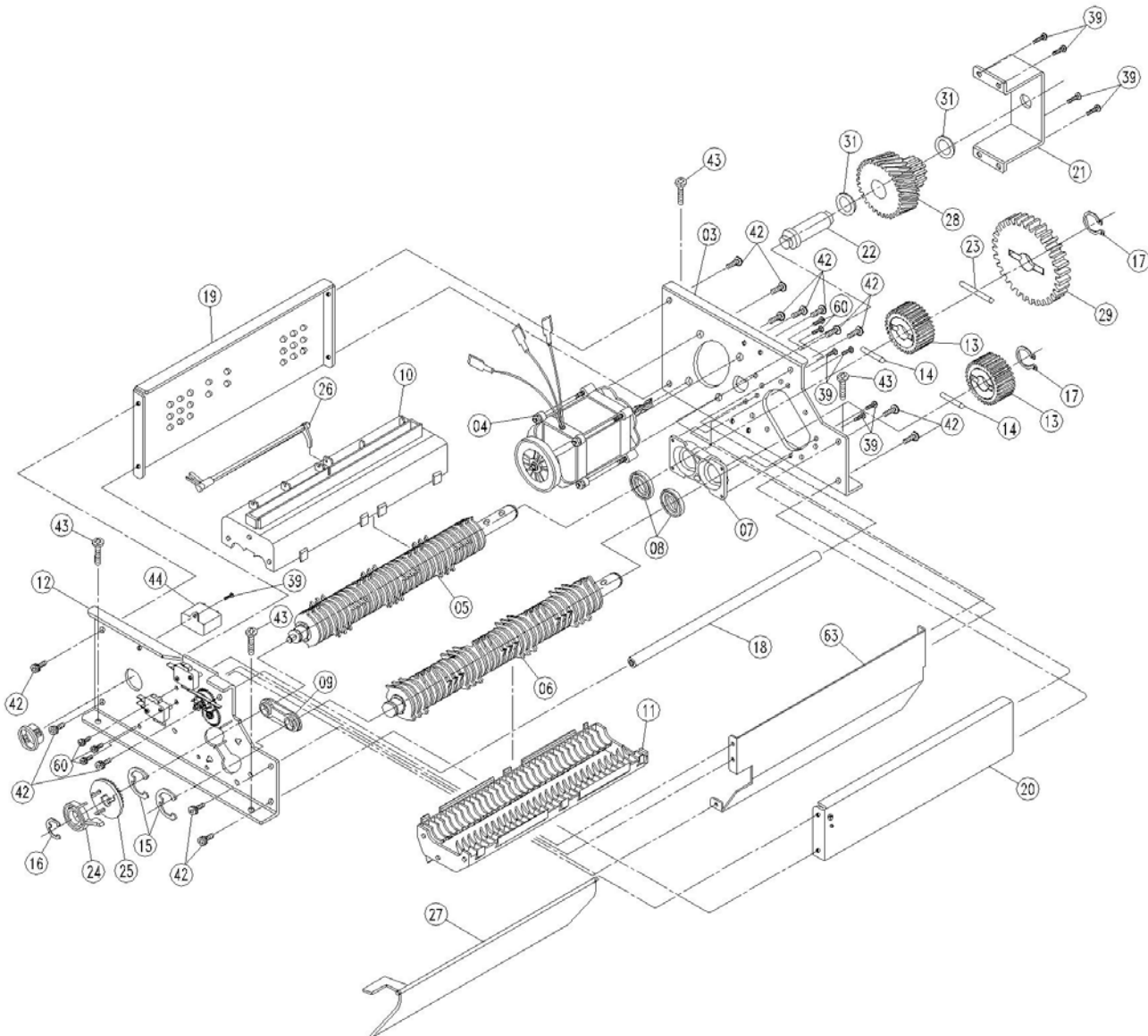


Section 8.0 2230S/2250X Parts List
2250X Figure 8.4
Exploded View Parts List

				QTY	
*	1751726	KL7350000A	Warning Label	1	1
13	1751931	XF2501000X	Name Plate	1	1
12	-REF-	S1VKF00000	Screw 5X16 Tapping	8	8
11	-REF-	S1DJN0000F	3X8 With Washer	3	3
10	-REF-	S1RYN00000	Screw #3X8 Tap	14	14
9	-REF-	S1VGF0000E	Screw M4X8 P Gear Washer	10	10
8	6202038	ESWC02270X	Micro Switch, Door	1	1
7	1751726	ASYMO7421A	Fuse PCB		1
7	1751901	ASYMO7149X	Fuse PCB	1	
6	1751727	ASYMO7148A	PCB, Control		1
6	1751717	ASYMO7367X	PCB, Control	1	
5	1751902	XF0400000X	Strain Relief Bushing		1
4	1751903	EACC0351SA	AC Power Cord	1	
3	1751904	PW040A068A	Switch Cap	1	1
2	1751932	PV240XXXXX	Bottom-Housing	1	1
1	1751906	PV230A1E1B	Housing-Top	1	1
ITEM	PRT NO.	REF. NO.	DESCRIPTION	115V	230V

* Not shown located on the bottom cover

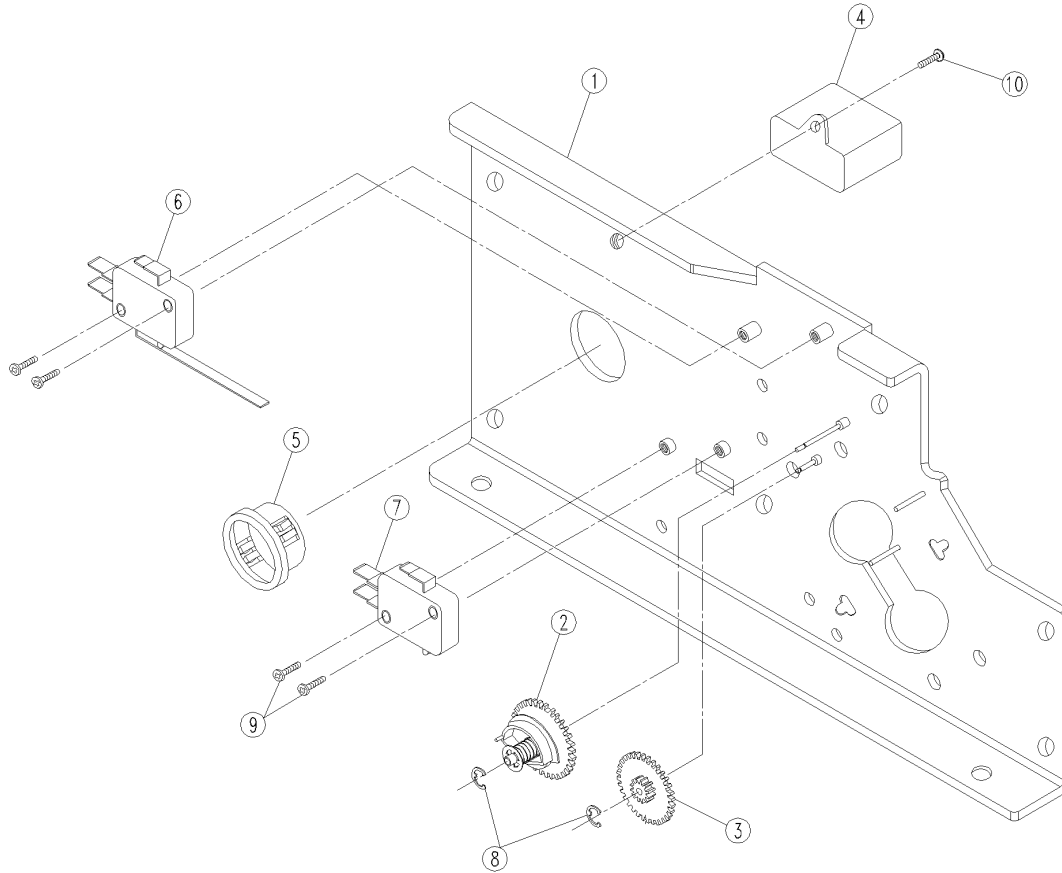
Section 8.0 2230S/2250X Parts List
2250X Exploded View
Figure 8.5



Section 8.0 2230S/2250X Parts List
2250X Figure 8.5
Exploded View Parts List

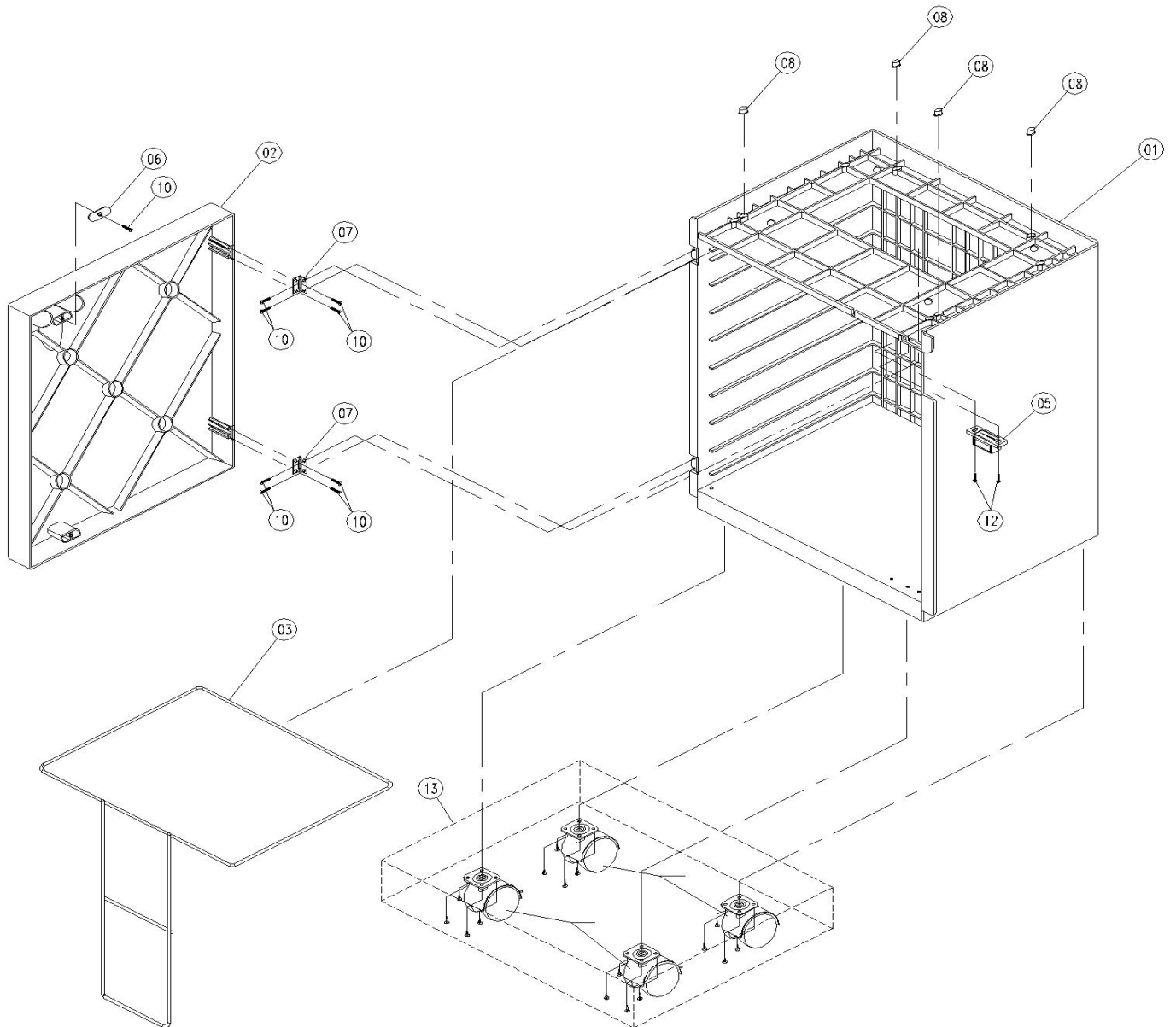
					QTY	
44	1751736	ECAP606700	Capacitor 7.5uf/400VAC			1
44	1751947	ECAP60300X	Capacitor 20uf/250VAC	1		
43	-REF-	S1VKF00000	Screw #5X16 B Tapping	8		8
42	-REF-	S1VFF0000E	Screw #5X10 B Gear Washer	14		14
31	-REF-	X99800000X	Spacer	2		2
29	1751938	PV880D7XXX	Spur Gear 50T	1		1
28	1751766	PV870H5XXX	Gear -A 53T+11T	1		1
27	1751922	PV300XXXXX	Flap	1		1
26	1751716	PV290XXXXX	Auto Parts	1		1
25	6180021	PH820HOXXX	Auto Gear 32T	1		1
24	1751921	PH810HOXXX	Rev Cam	1		1
23	1750713	MM0600000X	Knife Shaft Pin	1		1
22	1751920	ML6500000X	Gear Shaft	1		1
21	1751919	ML6200000X	Gear Holder	1		1
20	1751918	ML6100000X	Plate-D	1		1
19	1751917	ML5000000X	Plate-C	1		1
18	1751916	MIA4800000X	Side Plate Support	1		1
17	-REF-	MC5000000X	#15 C-Ring	2		2
16	-REF-	MC4700000X	#5 E-Ring	1		1
15	-REF-	MC4600000X	#12 E-Ring	2		2
14	1751915	MC3400000X	Knife Pin	2		2
13	6180029	MC1000000X	Spur Gear-A 20T	2		2
12	1751939	ASYMO5833X	Plate-A Ass'y	1		1
11	1751937	PV280XXXXX	Paper Guide - Bottom	1		1
10	1751936	PV270XXXXX	Paper Guide - Top	1		1
9	1750714	MC2300000X	Bushing	1		1
8	1751911	MM0900000X	Bearing 6002	2		2
7	1751910	ML6600000X	Bearing Holder	1		1
6	1751935	ASYMO5831X	Cross Cutter (B) Ass'y	1		1
5	1751934	ASYMO5830X	Cross Cutter (A) Ass'y	1		1
4	1751737	EMTR01030A	2P AC Motor			1
4	1751767	EMTR00990X	2P AC Motor	1		
3	1751738	ASYMO7044A	Plate-B			1
3	1751933	ML7400000X	Plate-B	1		
ITEM	PRT NO.	REF. NO.	DESCRIPTION	115V	230V	

Section 8.0 2230S/2250X Parts List
2250X Exploded View
Figure 8.6



					QTY	
10	-REF-	S1VGF0000X	Screw M4X8P Gear Washer	1	1	
9	-REF-	S1CFNOOOOX	M3 X 14	2	2	
8	-REF-	MA8400000X	#1.5 E-Ring	2	2	
7	1751930	ESWCO2280X	Micro Switch	1	1	
6	1750294	ESWC03000X	Trigger Switch	1	1	
5	1751929	XF1400000X	Snap Bushings	1	1	
4	1751736	ECAP606700	Capacitor 7.5uF/400VAC		1	
4	1751947	ECAP60300X	Capacitor 20uF/250VAC	1		
3	1750308	PC370HOXXX	Gear (A)	1	1	
2	1751928	ASYMO2755X	Auto Cam Ass'y	1	1	
1	1751927	ML7500000X	Plate-A	1	1	
ITEM	PRT NO.	REF. NO.	DESCRIPTION	115V	230V	

Section 8.0 2230S/2250X Parts List
2230S/2250X Cabinet Exploded View
Figure 8.7

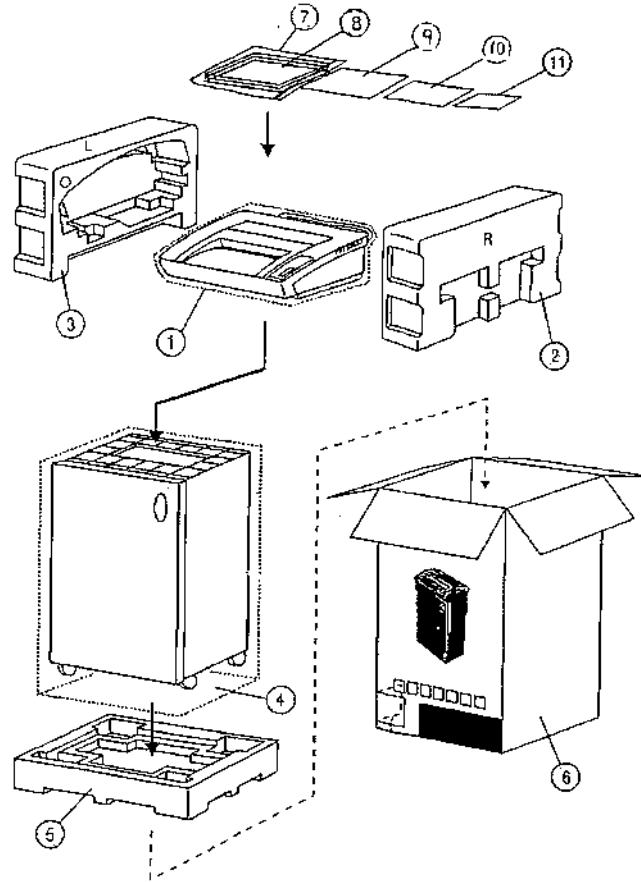


Section 8.0 2230S/2250X Parts List
2230S/2250X Cabinet Parts List
Figure 8.7

				QTY	
*	1751739	KL8201200A	Bag Reorder Label		1
*			Bag Reorder Label	1	
13	1751707	ASYP07137A	Castor Set	1	1
12	-REF-	S1VJN0000X	Screw 3X12 Washer Tapping	2	2
11	-REF-	S1VIF0000X	Screw M4X14	4	4
10	-REF-	S1VDB0000X	Screw #3X12 Type P F Black	9	9
8	1751946	XF1100000A	Cushion	4	4
7	1751945	MH1300000A	Hinge	2	2
6	1751944	MM1000000A	Magnet Plate	2	2
5	1751943	XF1500000A	Magnet	2	2
4	1751942	MN210Z000A	Support Bar	2	2
3	1751706	ML640L900A	Bag Rim	1	1
2	1751941	PV830JOE1A	Door	1	1
1	1751940	ASYM05835A	Cabinet Ass'y	1	1
ITEM	PRT NO.	REF. NO.	DESCRIPTION	115V	230V

* Not shown

Section 8.0 2230S/2250X Parts List
2230S/2250X Packaging Exploded View
Figure 8.8



11		KM3240000X	Manual (Consign)	1	1
10		KM2390400X	Warranty Card	1	1
9			Operator Manual, International		1
9	1751955	KM2981800A	Operator Manual, U.S	1	
8		KP8390000X	P.E Bag	1	1
7	1751954	KP8400000X	P.E Bag	1	1
6	1751953	KG5190000X	Gift Box	1	1
5	1751952	XG2000000A	Polyfoam, Bottom	1	1
4	1751951	KP8380000X	P.E Bag	1	1
3	1751950	XG1800000A	Polyfoam, LH	1	1
2	1751949	XG1900000A	Polyfoam, RH	1	1
1	1751948		Bag, Shredder Head	1	1
ITEM	PRT NO.	REF. NO.	DESCRIPTION	115V	230V

9.0 2230S/2250X *Recommended Spare Parts

2230S			QTY	
6180029	MC1000000X	Spur Gear-A 20T	1	1
1751706	ML640L900A	Bag Rim	1	1
1751707	ASYP07137A	Castor Set	1	1
1751708	PV860D7XXX	Spur Gear 45T (2230S)	1	1
1751709	PV850H5XXX	Gear -A 47T+13T (2230S)	2	2
1751716	PV290XXXXX	Auto Parts	1	1
1751727	ASYMO7148A	PCB, Control		1
1751717	ASYMO7367X	PCB, Control	1	
1751729	EMTR01040A	2P AC Motor (2230S)		1
1751718	EMTR01010X	2P AC Motor (2230S)	1	
1751930	ESWCO2280X	Micro Switch	1	1
1750294	ESWC03000X	Trigger Switch	1	1
PRT NO.	REF. NO.	DESCRIPTION	115V	230V

2250X			QTY	
6180029	MC1000000X	Spur Gear-A 20T	1	1
1751706	ML640L900A	Bag Rim	1	1
1751707	ASYP07137A	Castor Set	1	1
1751938	PV880D7XXX	Spur Gear 50T (2250X)	1	1
1751766	PV870H5XXX	Gear -A 53T+11T (2250X)	2	2
1751716	PV290XXXXX	Auto Parts	1	1
1751727	ASYMO7148A	PCB, Control		1
1751717	ASYMO7367X	PCB, Control	1	
1751737	EMTR01030A	2P AC Motor (2250X)		1
1751767	EMTR00990X	2P AC Motor (2250X)	1	
1751930	ESWCO2280X	Micro Switch	1	1
1750294	ESWC03000X	Trigger Switch	1	1
PRT NO.	REF. NO.	DESCRIPTION	115V	230V

*Based On One Hundred Machines.