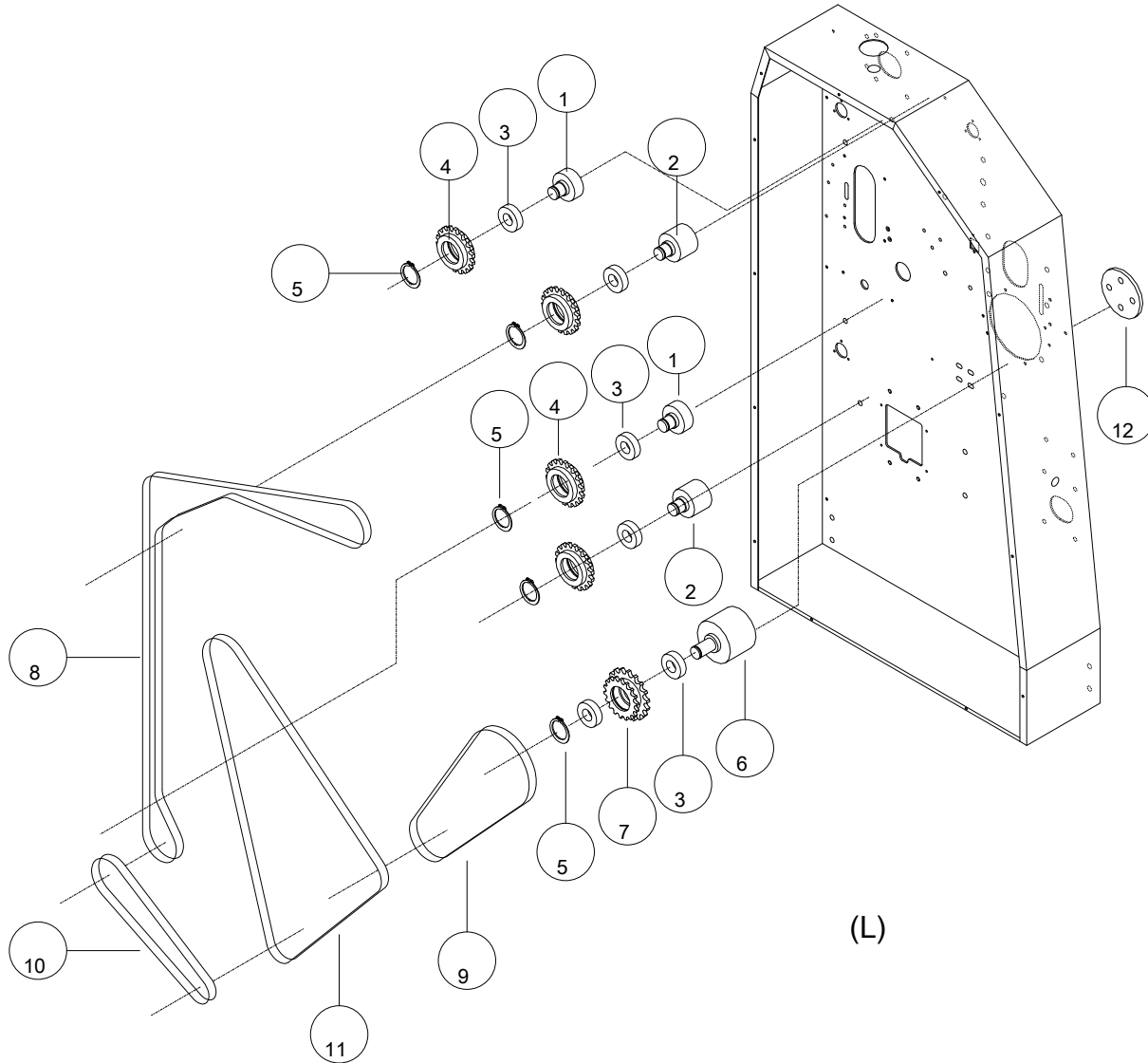


GBC 2064WF-1 (08. 08 / Rev 0.0)

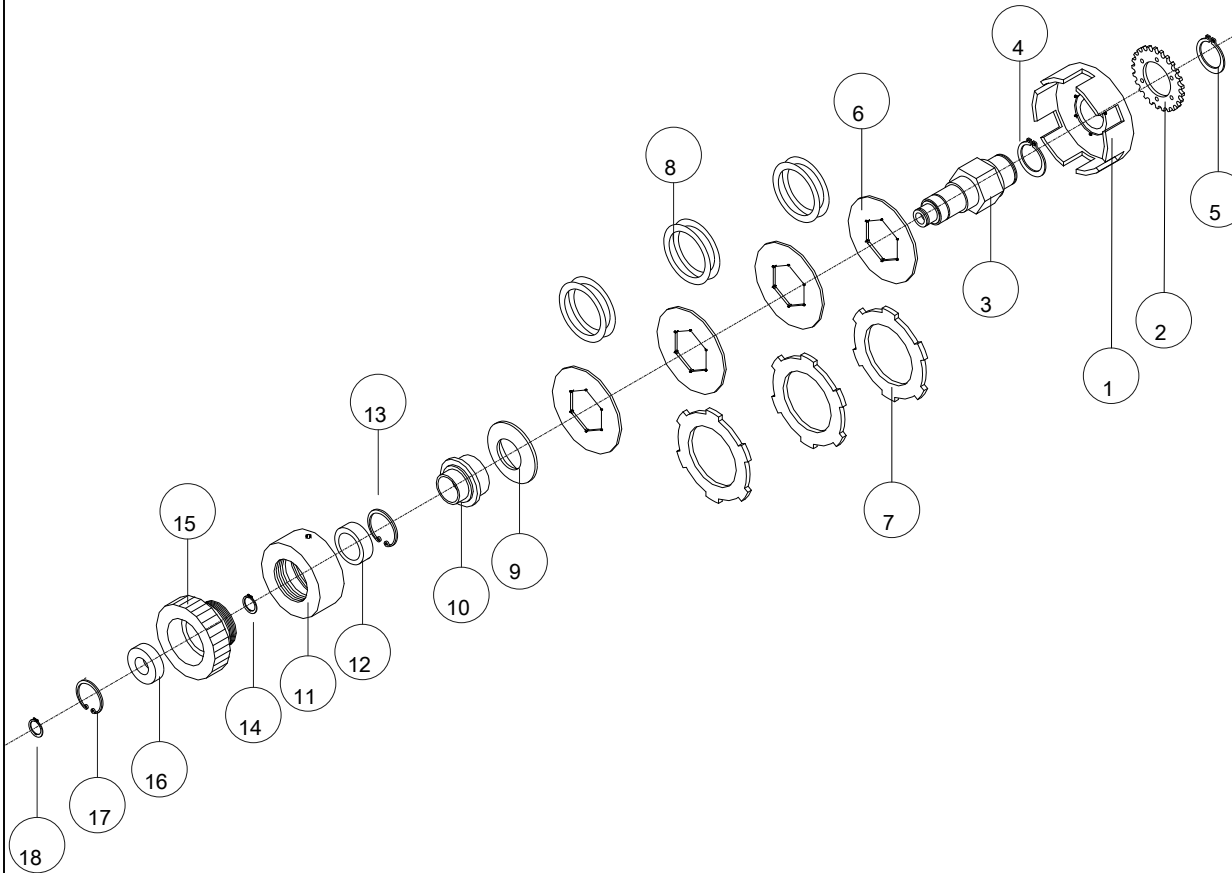
Chain part Ass'y



No.	Parts Code	Item	Spec	Quantity
1	632504571	G20 TAKE UP BOSS(BOTTOM)	S45C F40*51.8	2EA
2	632504570	G20 TAKE UP BOSS(TOP)	S45C F40*36.3	2EA
3	635400160	BALL BEARING	#6003(SKf)	6EA
4	635800469	REWINDER IDLE SPROCKET(#6003)	RS35 18T*F44*F35*18	4EA
5	810400090	SPRING S RING	F17	4EA
6	632504569	G20 MAIN IDLE BOSS	S45C F60*F25*80.3	1EA
7	635800694	G20 IDLE SPROCKET	S45C #35*22T*18T*F32	1EA
8	635700263	ROLLER CHAIN RS35H	RS35H(66.5PSC)	1EA
9	635700123	ROLLER CHAIN	RS35H(36.5PCS)	1EA
10	635700	ROLLER CHAIN	RS35H(28PCS)/1670RS	1EA
11	NEW	ROLLER CHAIN RS35H	RS35H(62.5PSC)	1EA
12	630500665	G30 GEAR BOSS SUPPORT PLATE	5.0T F70/36CR-M0050-P	1EA

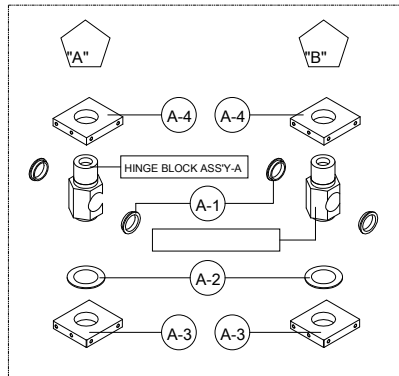
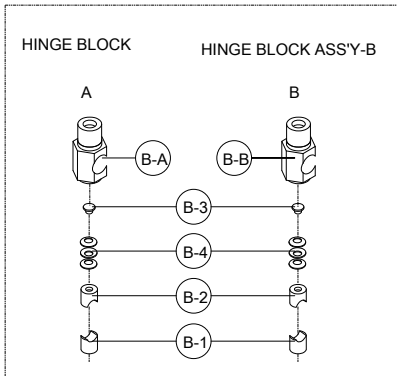
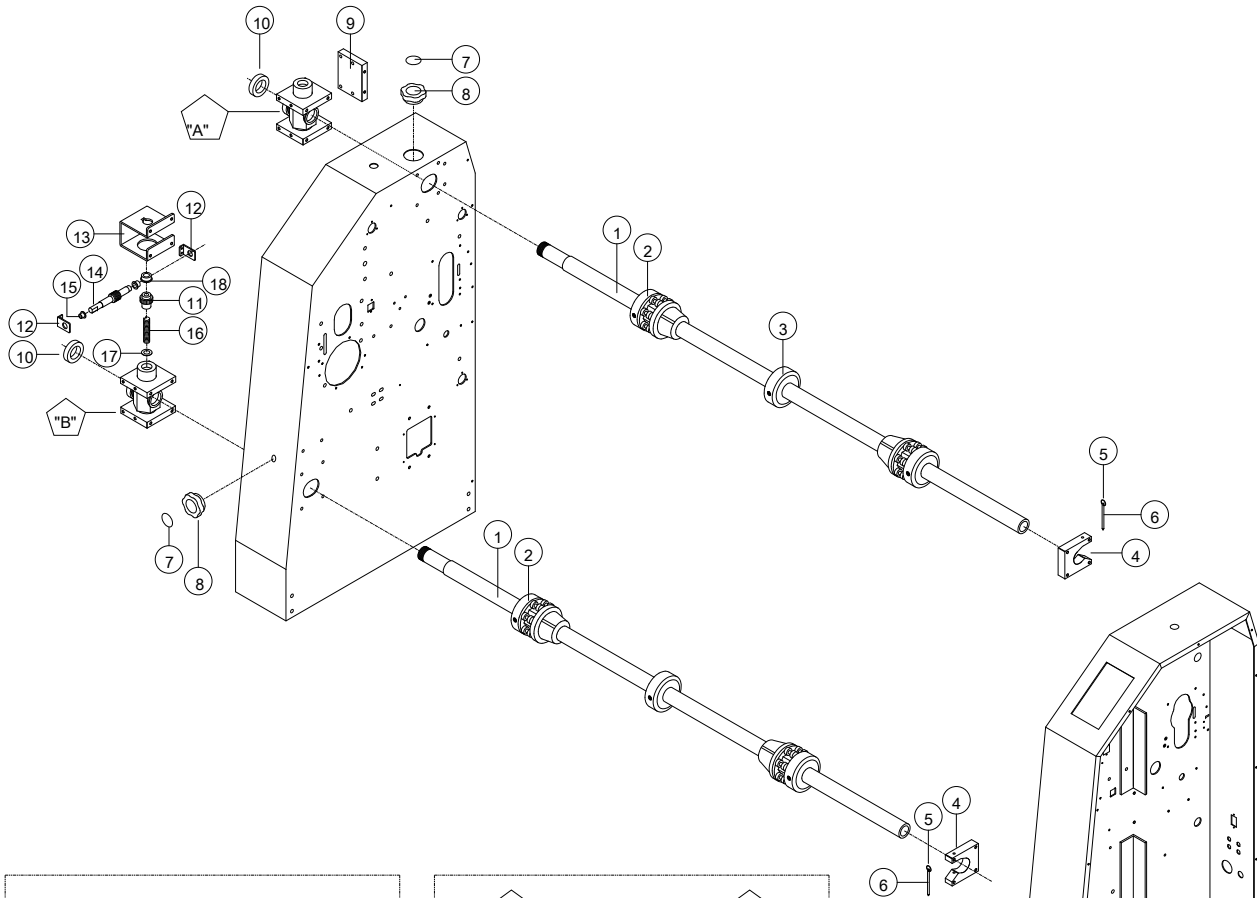
GBC 2064WF-1 (08. 08 / Rev 0.0)  
Clutch Ass'y

No.	Parts Code	Item	Spec	Quantity
1	632503227	FALCON CLUTCH BODY	AL6061 F113.5*F35*53.3	1EA
2	635800580	CLUTCH SPROCKET	RS35 24T*F44/FA60G121	1EA
3	632500418	FALCON CLUTCH SHAFT	S45C 46*128	1EA
4	810400078	SPRING S RING	45	1EA
5	810400076	SPRING S RING	35	1EA
6	630500081	FALCON FRICTION DISC	SPC 3.0T F101*46.2	4EA
7	634100133	CLUTCH DISC PAD	F113.5*F72*5.5T	3EA
8	635400090	WAVE WHEEL	F54*F69.8*0.45T	6EA
9	810400197	DISC SPRING	F46*F91*3.5T	1EA
10	632504597	G30 CLUTCH SHAFT COVER	S45C F55*37/36CR-C0010-H	1EA
11	632500416	FALCON CLUTCH PRESSURE PLATE	AL6061 F88*F42*50	1EA
12	635400027	WAVE BEARING	#6007	1EA
13	810400100	SPRING S(IN) RING	F62	1EA
14	810400077	SPRING S RING	F30	1EA
15	632500415	FALCON CLUTCH HANDLE	AL6061 F88*F42*50	1EA
16	635400026	WAVE BEARING	#6004	1EA
17	810400079	SPRING S(IN) RING	F42	1EA
18	810400071	SPRING S RING	20	1EA



# GBC 2064WF-1 (08. 08 / Rev 0.0)

## Film shaft part Ass'y

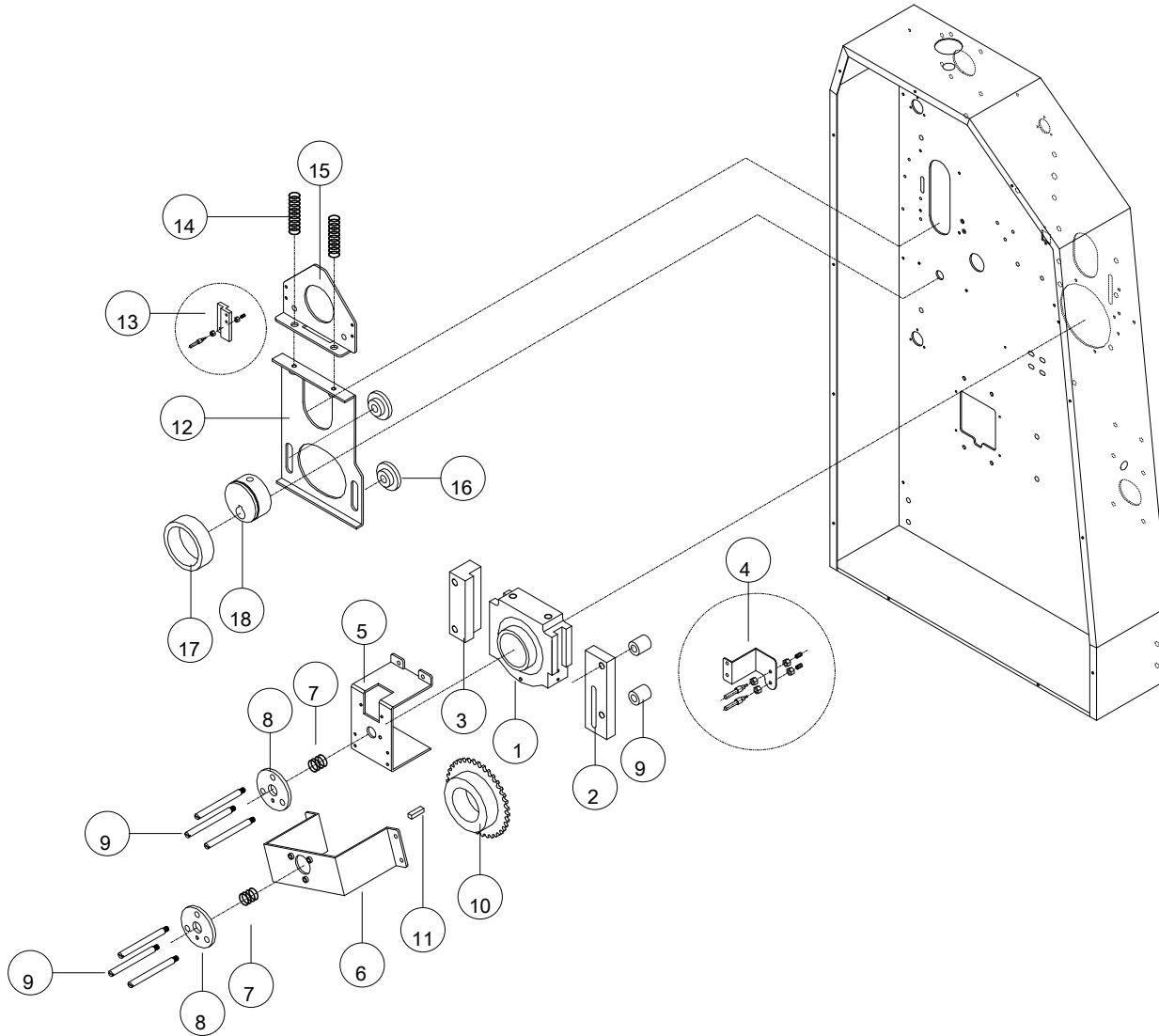


No.	Parts Code	Item	Spec	Quantity
1	632500332	ORCA-64 FILM PIPE	STKM F42.5*1810	2EA
2	633000222	G30 BI CORE F58(43MM)	PC F43*75*92	4EA
3	633000226	G30 FILM CORE	PC F75/36CR-B0100-H	1EA
4	632504139	SADDLE	NYLON(BLCK) 100*90*25	2EA
5	632501397	SAFETY PIN RING	F21.5	2EA
6	632500421	STOPPER PIN	S45C F6*95	2EA
7	810700176	ORCA-64 TENSION KNOB STICKER	PC0.3T F45 (WHITE)	2EA
8	633200005	ORCA-64 TENSION HANDLE	PC F75*F15*30 (WHITE)	2EA
9	632504579	SWING UNWIND SUP BLOCK(SIDE)	AL6061 90*117.5*20	1EA
10	632500371	FALCON FILM PIPE COLLAR	S45C F60*15	2EA
11	635800330	SMII-1600 WORM WHEEL UPPER	45C OD34*F24*37*19*12*6	1EA
12	630500691	SHAFT WARM SUPPORT(SIDE)	SPC3.0T 40*30*15.5	2EA
13	630500675	G20 SWING UNWINDER SUPPORT	SPC 5.0T 100*100*110	1EA
14	635800556	SWING SHAFT WORM SHAFT	S45C F25*F15*164	1EA
15	635500036	DU BUSHING FLANGE	15*10	2EA
16	635800328	SMII-1600 TENSION SCREW UPPER	SM45C F16*75	1EA
17	635400098	THRUST NIDDLE WASHER	AS1730	1EA
18	632503114	SWING SHAFT WORM HOLDER	BS F30*F16*13.5	1EA
A-1	632500373	FALCON FILM SHAFT BUSH	MC(BLACK) F50.5*9.5	4EA
A-2	635400098	THRUST NIDDLE WASHER	AS5070	2EA
A-3	632504577	SWING UNWIND SUP BLOCK(LOW)	AL6061 F51*90*108*20	2EA
A-4	632504578	SWING UNWINDER SUP BLOCK(UP)	AL6061 F51*90*108*20	2EA
B-A	632504599	FILM SHAFT HINGE BLOCK UP(PL)	45C M10*F49.8*F44*136.5	1EA
B-B	632504600	FILM SHAFT HINGE BLOCK LOW(PL)	45C F17*F49.5*F44*136.5	1EA
B-1	632504594	G30 BREAK PAD(LOW)	MC(BLACK) F42*42	2EA
B-2	632504593	G30 BREAK PAD(UP)	MC(BLACK) F42*F18*42	2EA
B-3	632504595	G30 BREAK SPRING PRESSURE	S45C F17*F30*16	2EA
B-4	810400013	FLAT TENSION SPRING	F20	6EA



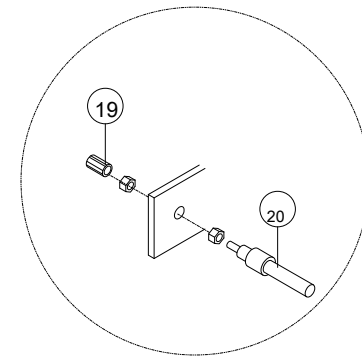
GBC 2064WF-1 (08. 08 / Rev 0.0)

Rear roller tension(left) part Ass'y

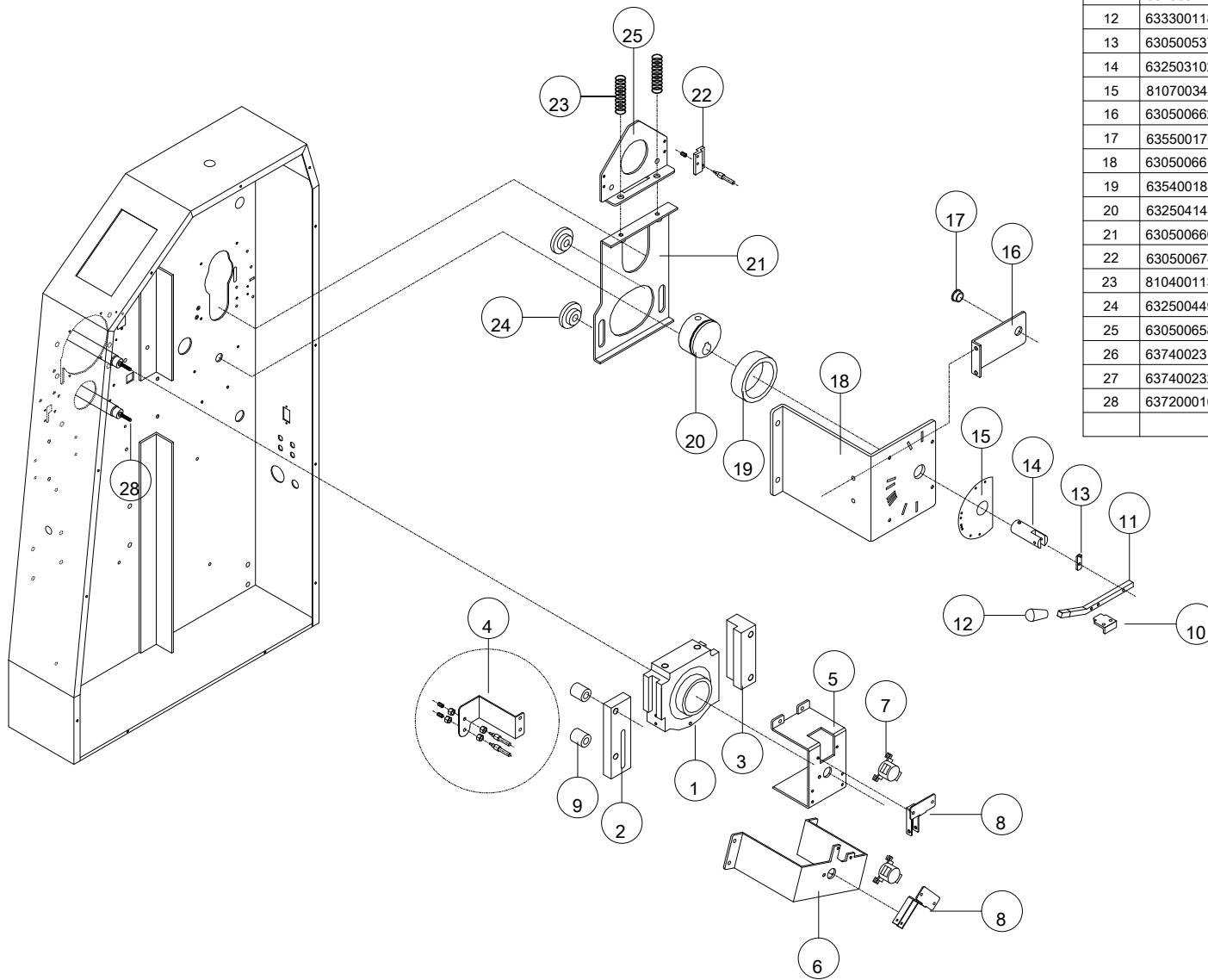


No.	Parts Code	Item	Spec	Quantity
1	635400228	G30 HR ROLLER BEARING	UCT210/36CR-H0050-H	1EA
2	632504572	HR BEARING GUIDE BLOCK(FRONT)	S45C 40*125*15.6	1EA
3	632504573	HR BEARING GUIDE BLOCK(REAR)	S45C 38*100*29.5	1EA
4	630500672	G30 FIBER SENSOR BRK(H/LEFT)	SPC 1.5T 51*54*46	1EA
5	630500666	G30 HEATER SUPPORT(UP/L)	SPC 3.0T 75*131*77	1EA
6	630500668	G30 HEATER SUPPORT(LOW/L)	SPC 3.0T 55*183*99.9	1EA
7	810400244	G4064 HEATER SPRING	SUS 2.0T F35*38	2EA
8	630500670	G30 HEATER SPRING PLATE	SPC 5.0T F60*F16.2	2EA
9	632501202	TRIMMER	f10*f6*24	6EA
10	635800466	G4064 H/ROLLER SPROCKET	RS35 36T*F50*21.5(KEY)	1EA
11	632501601	KEY	S45C 6*6*25	1EA
12	630500659	G20 REAR TENSION PLATE(L)	SPC 3.0T 154.5*215*21	1EA
13	630500673	G20 FIBER SENSOR BRK(P/LEFT)	SPC 2.0T 24*40*12	1EA
14	810400113	ROLLER SPRING	F2.3*26.5*12.6	2EA
15	630500658	G20 REAR TENSION PRESSURE	SPC 3.0T 134*90*21	1EA
16	632504143	G2064 P/ROLLER CAM	S45C F58*28.7*F17	1EA
17	635400188	MIDDLE ROLL BEARING	RNA4910	1EA
18	632500449	E/M ROLLER PRESSURE GUIDE PIN	S45C F20*10.3*5.5	2EA
19	637400232	LENSE	FE-PA-L1	3EA
20	637400230	FIBER	FOK-T003-5.0	3EA

sensor ass'y

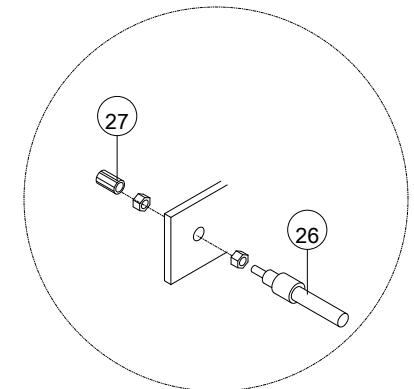


GBC 2064WF-1 (08. 08 / Rev 0.0)  
 Rear roller tension(right) part Ass'y



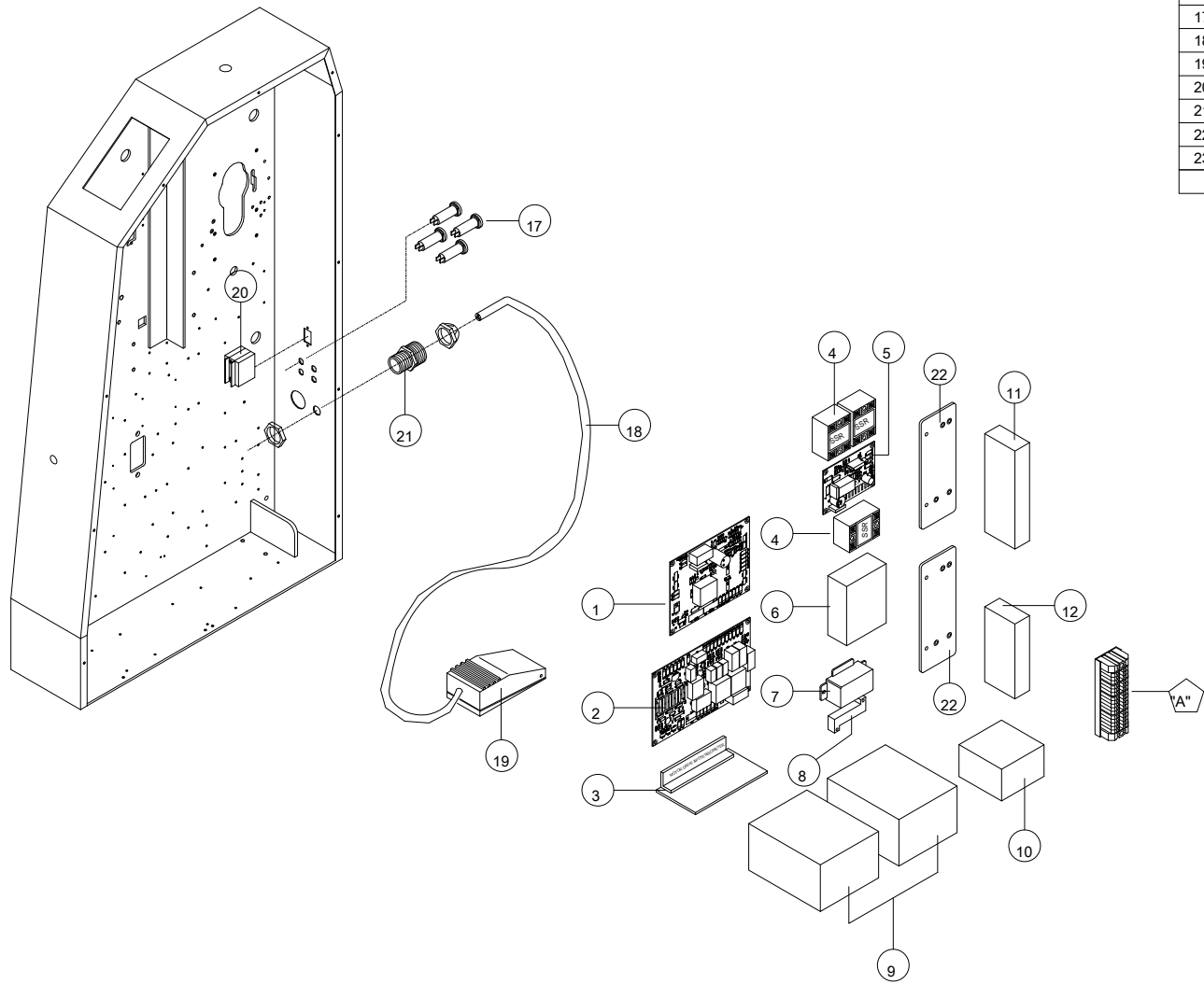
No.	Parts Code	Item	Spec	Quantity
1	635400229	G30 HR ROLLER BEARING	UCT210/36CR-H0050-H	1EA
2	632504572	BEARING GUIDE BLOCK(FRONT)	S45C 40*125*15.6	1EA
3	632504573	BEARING GUIDE BLOCK(REAR)	S45C 38*100*29.5	1EA
4	630500671	FIBER SENSOR BRK(H/RIGHT)	SPC 1.5T 51*54*70	1EA
5	630500667	G30 HEATER SUPPORT(UP/R)	SPC 3.0T 75*131*77	1EA
6	630500669	G30 HEATER SUPPORT(LOW/R)	SPC 3.0T 55*183*123.4	1EA
7	637800010	BI-METAL THERMOSTAT	60T21 (250V15A 120°C)	2EA
8	630500712	G30 THERMOSTAT BRACKET	AL1.5T 50*71/36CR	2EA
9	632504584	G30 BEARING GUIDE BLOCK BOSS	S45C F20*F10.5*22.4	2EA
10	630500538	PULL ROLL CAM LEVER STOPPER	SPC 3.0T 29*24*11	1EA
11	632503110	G2064 PULL ROLLER CAM LEVER	8*8*95 / 264U-P0120	1EA
12	633300118	(ROLL)	BACKLIGHT f8.0*85	1EA
13	630500537	G2064 CAP SPRING BRACKET	2.5T 8*26.8/264U-P0110	1EA
14	632503102	PULL ROLLER CAM SHAFT CAP	F20*55 / 264U-P0100	1EA
15	810700342	PULL ROLLER TENSION STICKER	PC	1EA
16	630500662	G20 P/R CAM SHAFT SUPPORT	SPC 3.0T 55*87*18	1EA
17	635500176	DU BUSHING FLANGE	12*06	1EA
18	630500661	P/R TENSION ADJ. SUPPORT PLATE	SPC 5.0T 125*175*185	1EA
19	635400188	NIDDLE ROLL BEARING	RNA4910	1EA
20	632504143	G2064 P/ROLLER CAM	S45C F58*28.7*F17	1EA
21	630500660	G20 REAR TENSION PLATE(R)	SPC 3.0T 154.5*215*21	1EA
22	630500674	G20 FIBER SENSOR BRK(P/RIGHT)	SPC 2.0T 24*40*12	1EA
23	810400113	ROLLER SPRING	F2.3*26.5*12.6	2EA
24	632500449	E/M ROLLER PRESSURE GUIDE PIN	S45C F20*10.3*5.5	2EA
25	630500658	G20 REAR TENSION PRESSURE	SPC 3.0T 134*90*21	1EA
26	637400231	FIBER	FOK-T003-3.0	3EA
27	637400232	LENSE	FE-PA-L1	3EA
28	637200010	G2064 SHEATH HEATER	F6*2011(4200W)/264U-5	2EA

sensor aass'y

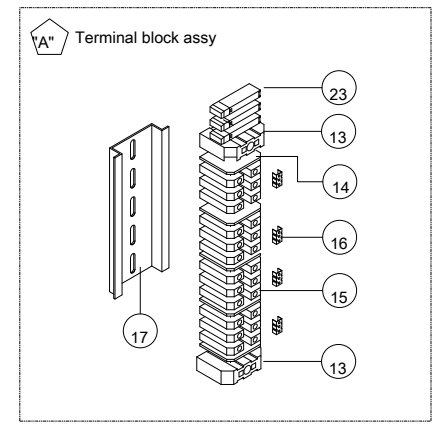


# GBC 2064WF-1 (08. 08 / Rev 0.0)

## PCB plate part Ass'y



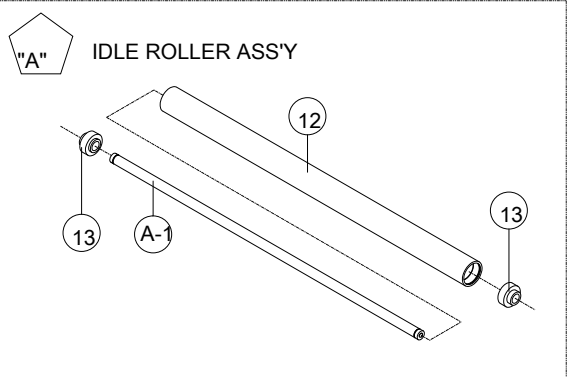
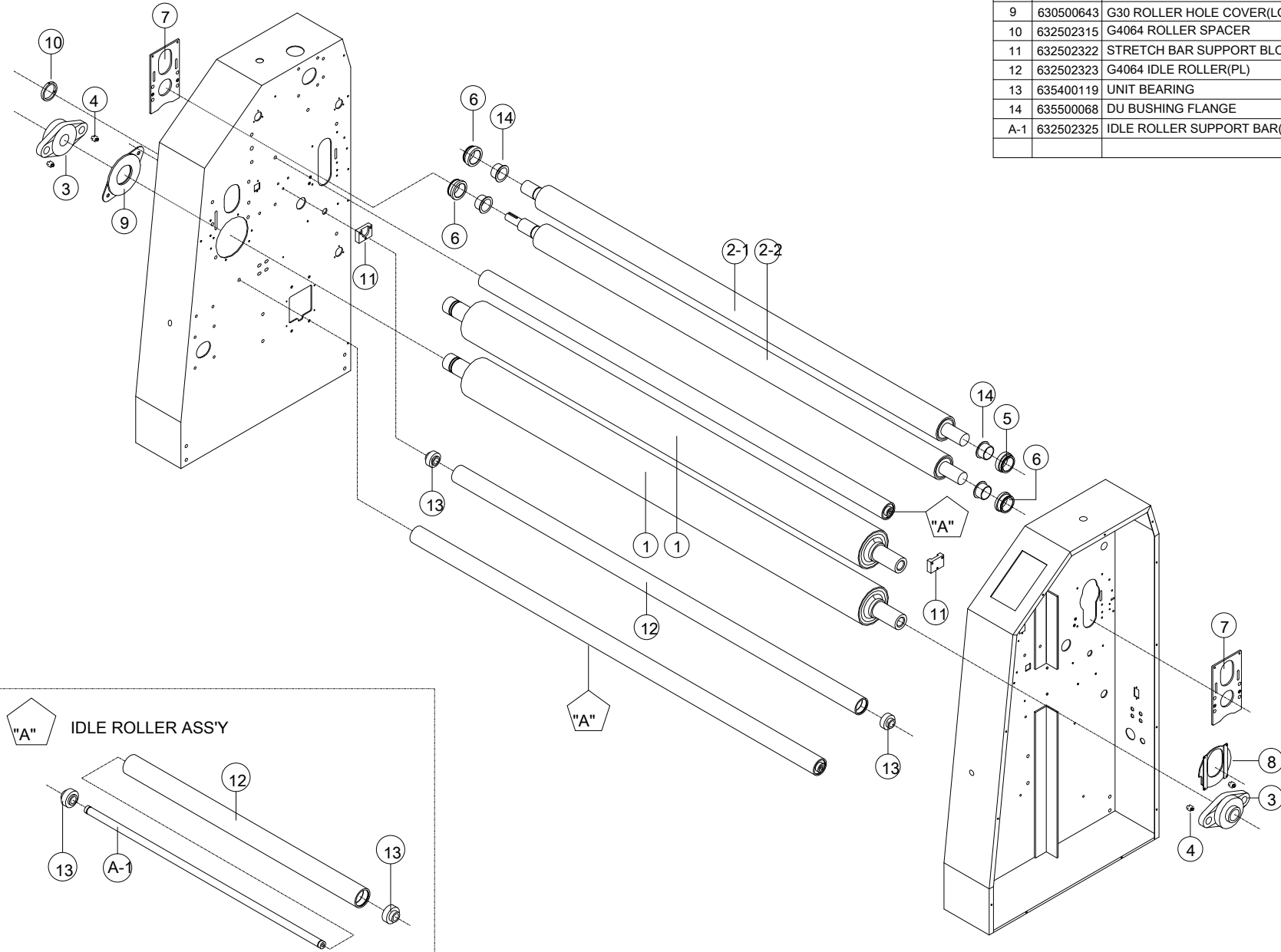
	PART CODE	PART NAME	SPEC.	Quantity
1	638900450	GBC MAIN PCB ASS'Y	G264M REV1.1	1EA
2	638900396	GBC RELAY/POWER PCB ASS'Y	G264-PSRL REV1.1	1EA
3	638900395	GBC MOTOR DRIVE PCB ASS'Y	G264-SMD REV1.0	1EA
4	639100025	SOLID STATE RELAY	GLS25	3EA
5	638900339	PCB ASS'Y POWER SUPPLY2	TL80PS2 REV1.0	1EA
6	638900462	ASS'Y SAFETY MODULE	PHSOOM/PHSOOMEX	1EA
7	635900110	COIL	GM6030CT	1EA
8	639200502	RESISTOR 1W	47	1EA
9	638400145	FERRITE EMI FILTER	NFM-230S	2EA
10	638400008	FERRITE EMI FILTER	ES1-F15/15A	1EA
11	638900341	F60+ SMPS DC48V P/S	SP-200-48	1EA
12	635900165	SMPS	24V/60W	1EA
13	637600071	TERMINAL BLOCK STOPPER	E/NS 35 N (E-UK)	2EA
14	637600070	TERMINAL BLOCK END COVER	D-UK 4/10	8EA
15	637600069	TERMINAL BLOCK UK5N	T/B	14EA
16	637600074	TERMINAL BLOCK BRIDGE BAR	FB 10-6	2EA
17	637000002	FUSE HOLDER	f12.5*20mm250V10A	4EA
18	636300002	CORD CABLE UL/600V	SOW,16063/600V,10AWG	1EA
19	637400022	FOOT SWITCH	HRF-MD1(220V10A)	1EA
20	637400178	CIRCUIT BREAKER	CF2-B0-26-650-24J-D	1EA
21	636400024	CORD STOPPER	PG11	1EA
22	630500450	G4064 POWER SUPPLY BRACKET	SPC2.0T 66*179(GY0806)	2EA
23	637400229	FIBER AMP	HPX-H1	3EA



GBC 2064WF-1 (08. 08 / Rev 0.0)

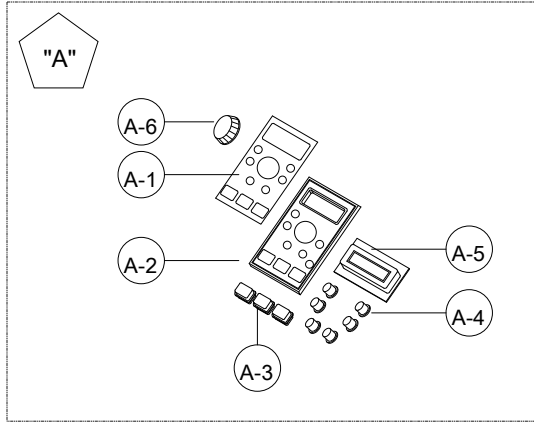
Roller part Ass'y

No.	Parts Code	Item	Spec	Quantity
1	631800395	GBC4064 HEAT ROLLER	1902*F127*1670(601-45 RED)	2EA
2-1	631800475	G20 PULL ROLLER UP(SILICON)	1846*F80*1686*F40 GRAY	1EA
2-2	631800476	PULL ROLLER LOW(SILICON)	1911*F80*1686*F40 GRAY	1EA
3	635400117	UNIT BEARING	UCFL 210	2EA
4	632500360	BEARING SPACER(H.ROLLER)	Bs F18.9*F10*15.5	4EA
5	632504563	G20 P/ROLLER BUSH(UPPER)	S45C F55*F40*12.8-R0030-H	1EA
6	632504564	G20 P/ROLLER BUSH(LOWER)	S45C F55*F40*15.8-R0040-H	3EA
7	630500657	PULL ROLLER SUPPORT PLATE	SPC 5.0T 213*118/26CR-P0010-P	2EA
8	630500642	G30 ROLLER HOLE COVER(UP)	SPC3.2T+2.0T F134*91*112	1EA
9	630500643	G30 ROLLER HOLE COVER(LOW)	SPC3.2T+5.0T F134*157/36CR	1EA
10	632502315	G4064 ROLLER SPACER	S45C F60*F50.1*7.5/4064H030	1EA
11	632502322	STRETCH BAR SUPPORT BLOCK	Bs 54*40*15.5/4064H090	2EA
12	632502323	G4064 IDLE ROLLER(PL)	STKM5.0T F55*1675.5	3EA
13	635400119	UNIT BEARING	UR204	6EA
14	635500068	DU BUSHING FLANGE	40x25	4EA
A-1	632502325	IDLE ROLLER SUPPORT BAR(PL)	S45C F20*1710/4064H111	2EA

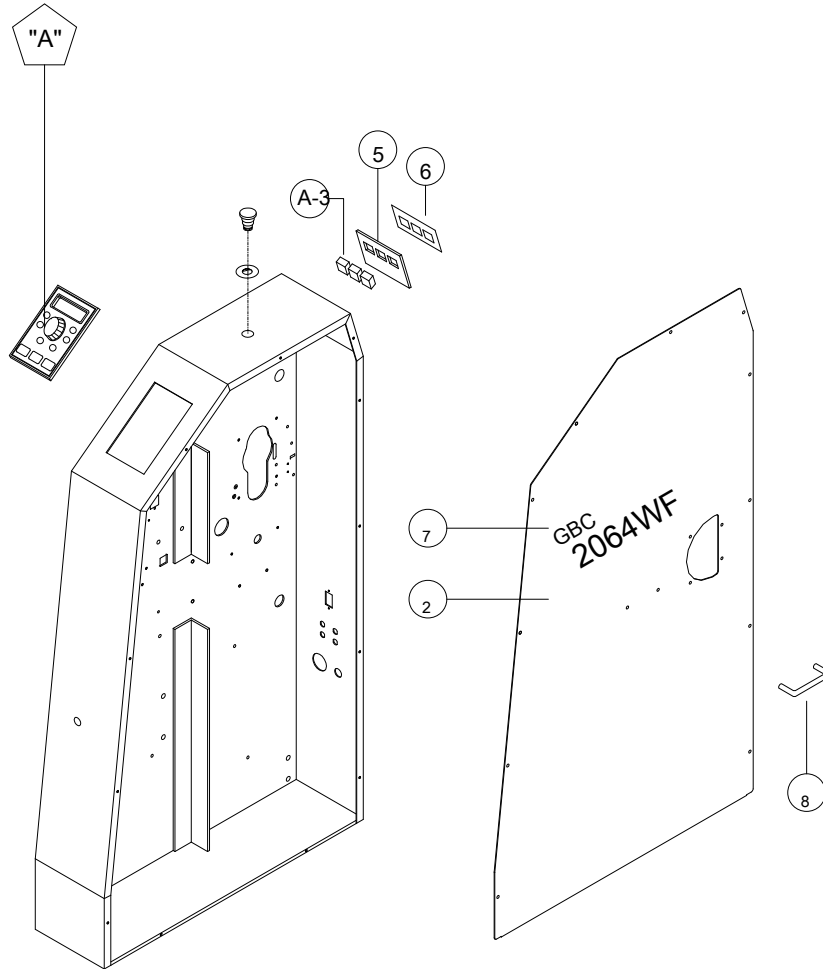
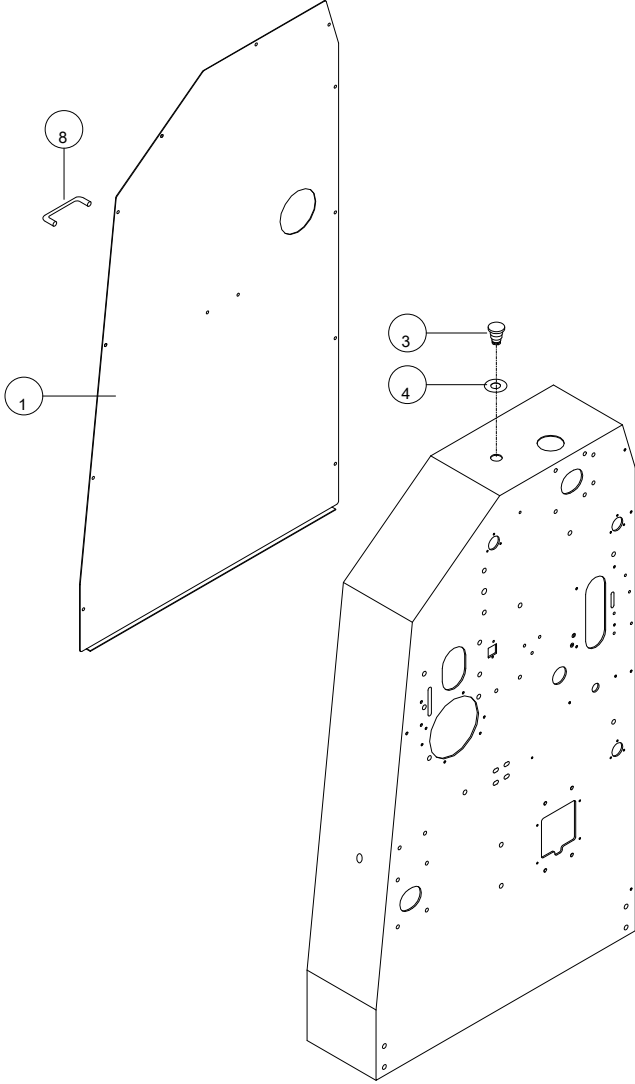


# GBC 2064WF-1 (08. 08 / Rev 0.0)

## Side cover part Ass'y

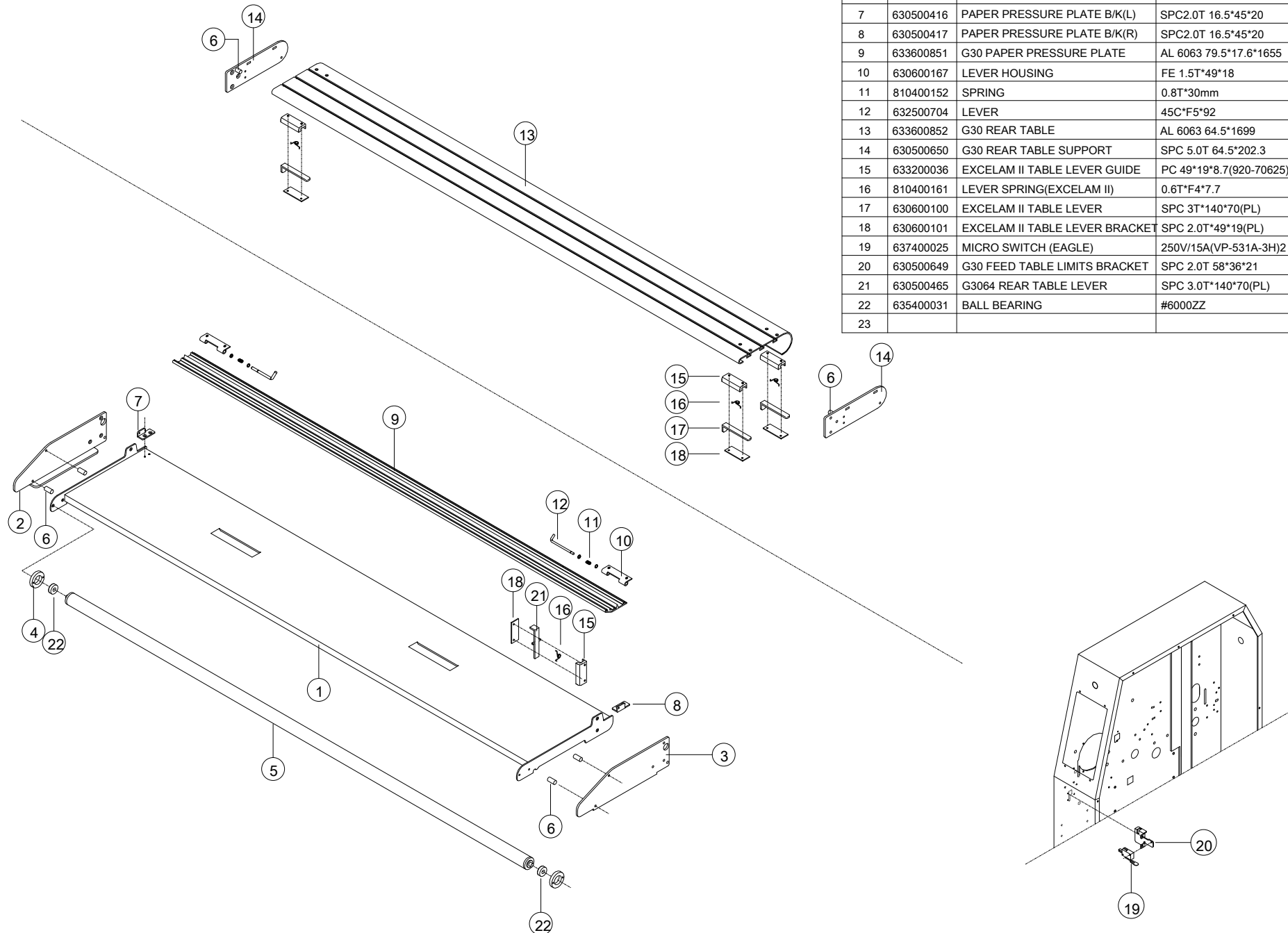


No.	Parts Code	Item	Spec	Quantity
1	630500644	G20 SIDE CABIN COVER(L)	SPC1.5T 712*1222	1EA
2	630500645	G20 SIDE CABIN COVER(R)	SPC1.5T 712*1222	1EA
3	637400119	EMERGENCY SWITCH	AR22V22R-01R-400V(1PL)	2EA
4	810700082	EMERGENCY STICKER(SURELAM)	PC0.4T*F54*F28	2EA
5	630500502	G2064 REAR CONTROL PANEL	SPC 2.0T 120*81	1EA
6	810900215	REAR CONTROL PANEL STICKER	PC0.5T 138*54	1EA
7	811200224	G20 SIDE COVER NAME STICKER	PC/26CR-I0010-I	2EA
8	634100016	U-HANDLES(JAGUAR)	RD8*95	2EA
A-1	810900214	G2064 CONTROL PANEL STICKER	PC0.5T 164*109	1EA
A-2	633300180	E/M CONTROL PANEL	PC 122*177	1EA
A-3	633300004	E/M CONTROL KEY(사각)	PC 1.5T 24*18	6EA
A-4	633300003	E/M CONTROL KEY	PC F16*14	6EA
A-5	638400040	LCD MODULE ASS'Y	UMS-3075	1EA
A-6	633300104	E/M DIAL KNOB	PC F30*16.7	1EA



GBC 2064WF-1 (08. 08 / Rev 0.0)

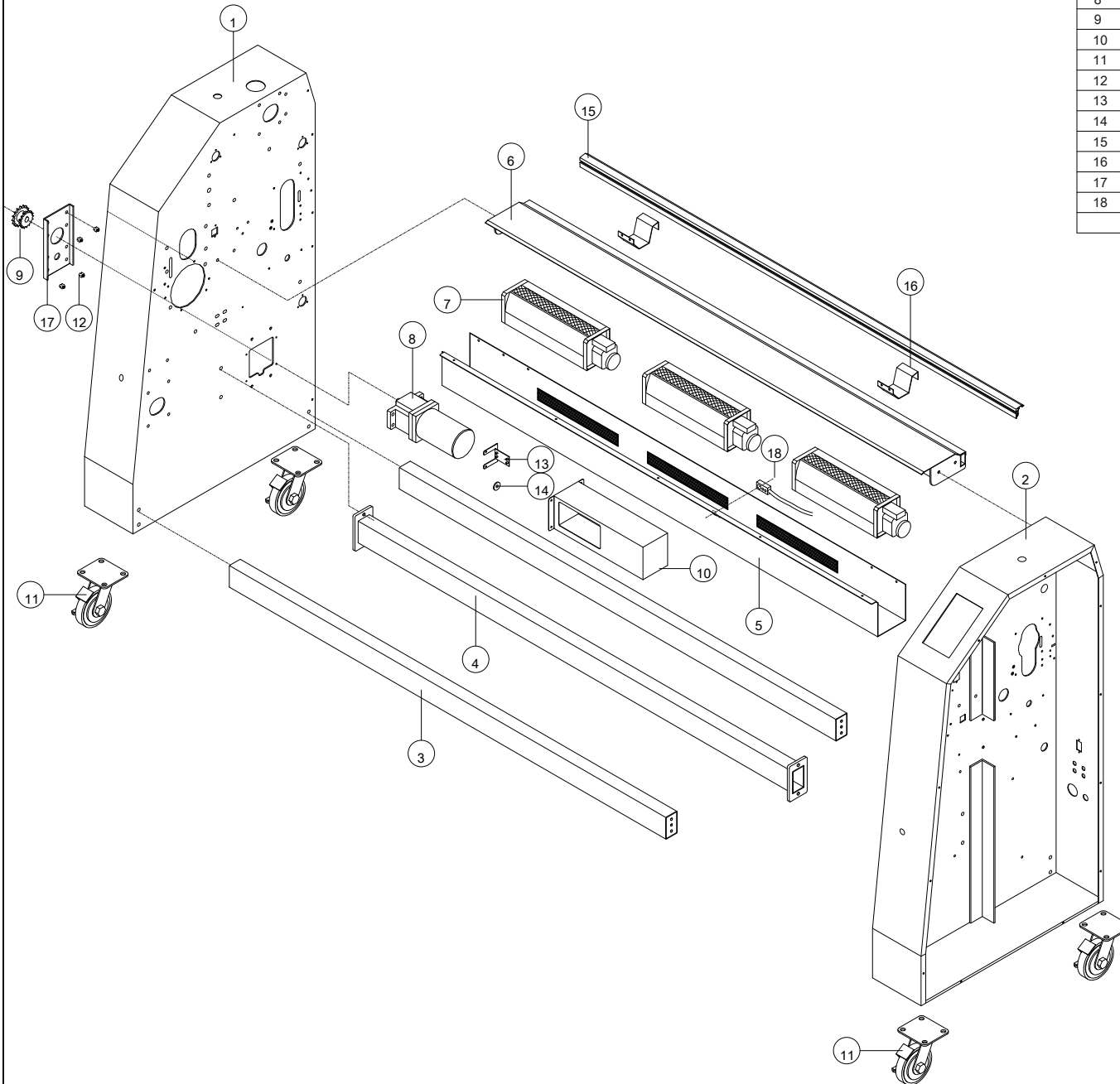
Feed table part Ass'y



No.	Parts Code	Item	Spec	Quantity
1	630500648	G30 FEED TABLE	SPC 3.0T+SPC 1698*348	1EA
2	630500646	G30 FEED TABLE SUPPORT(L)	SPC 5.0T 333*95*25	1EA
3	630500647	G30 FEED TABLE SUPPORT(R)	SPC 5.0T 333*95*25	1EA
4	632500288	DLE ROLLER BEARING HOUSING	BS 8.0T*F45*F26	2EA
5	632504598	G30 FEED IDLE ROLLER(PL)	STKM 3.2T F34*1691	1EA
6	632500682	GBC4265 STAND-OFF	SM45C F10*20	6EA
7	630500416	PAPER PRESSURE PLATE B/K(L)	SPC2.0T 16.5*45*20	1EA
8	630500417	PAPER PRESSURE PLATE B/K(R)	SPC2.0T 16.5*45*20	1EA
9	633600851	G30 PAPER PRESSURE PLATE	AL 6063 79.5*17.6*1655	1EA
10	630600167	LEVER HOUSING	FE 1.5T*49*18	2EA
11	810400152	SPRING	0.8T*30mm	2EA
12	632500704	LEVER	45C*F5*92	2EA
13	633600852	G30 REAR TABLE	AL 6063 64.5*1699	1EA
14	630500650	G30 REAR TABLE SUPPORT	SPC 5.0T 64.5*202.3	2EA
15	633200036	EXCELAM II TABLE LEVER GUIDE	PC 49*19*8.7(920-70625)	4EA
16	810400161	LEVER SPRING(EXCELAM II)	0.6T*F4*7.7	4EA
17	630600100	EXCELAM II TABLE LEVER	SPC 3T*140*70(PL)	3EA
18	630600101	EXCELAM II TABLE LEVER BRACKET	SPC 2.0T*49*19(PL)	4EA
19	637400025	MICRO SWITCH (EAGLE)	250V/15A(VP-531A-3H)2	1EA
20	630500649	G30 FEED TABLE LIMITS BRACKET	SPC 2.0T 58*36*21	1EA
21	630500465	G3064 REAR TABLE LEVER	SPC 3.0T*140*70(PL)	1EA
22	635400031	BALL BEARING	#6000ZZ	2EA
23				

# GBC 2064WF-1 (08. 08 / Rev 0.0)

## Body part Ass'y



No.	Parts Code	Item	Spec	Quantity
1	630500635	G20 SIDE CABIN(L)	SPC 3.0T+8.0T 716*1226*190/26CR	1EA
2	630500636	G20 SIDE CABIN(R)	SPC 3.0T+8.0T 716*1226*190/26CR	1EA
3	630500640	G30 CROSS CONNECT	SPCR2.3T 45*75*1710/36CR	2EA
4	630500641	G30 CROSS WIRE BAR	SPCR2.3T 45*75*1710/36CR	1EA
5	630500638	G20 FAN PLATE	SPC 1.5T 1707*123/26CR-B0060-P	1EA
6	630500637	G20 REAR FILM GUIDE	SPC 1.5T+5.0T 1709*68*135/26CR	1EA
7	630500639	CROSS FAN MOTOR	PCF-6230GMP9-2(230/50)C.C.W	3EA
8	635000031	DC GEARED MOTOR	DC200W/36V/3000RPM(OA26 120:1)	1EA
9	635800693	G20 MOTOR SPROCKET	S45C #35*13T*20T*F15/26CR	1EA
10	630500643	G30 MOTOR COVER	1.5T 137*110*350 /36CR-M0080-P	1EA
11	630500644	ROLLER	4"/BRAKE(6240)	4EA
12	632504577	G20 MOTOR MOUNT SPACER	S45C F20*F8.5*28/26CR-M0010-H	4EA
13	631000095	INTERRUPT BRACKET	SPC1.5T 60*57*55.5	1EA
14	634100121	INTERRUPT SENSING DISK	100P/R F50x5.5	1EA
15	633600853	G20 REAR FILM GUIDE	AL6061 1709*35.4/25CR-B0100-I	1EA
16	630500642	G20 STRETCH BAR HANGER	2.0T 98.6*50/26CR-B0070-P	2EA
17	630500644	G30 MOTOR MOUNT	SPC 3.2T 200*103.5/36CR-M0010-P	1EA
18	639400018	INFRARED SENSOR (ROHS)	A2 TPMI 334-OAA2250	1EA