

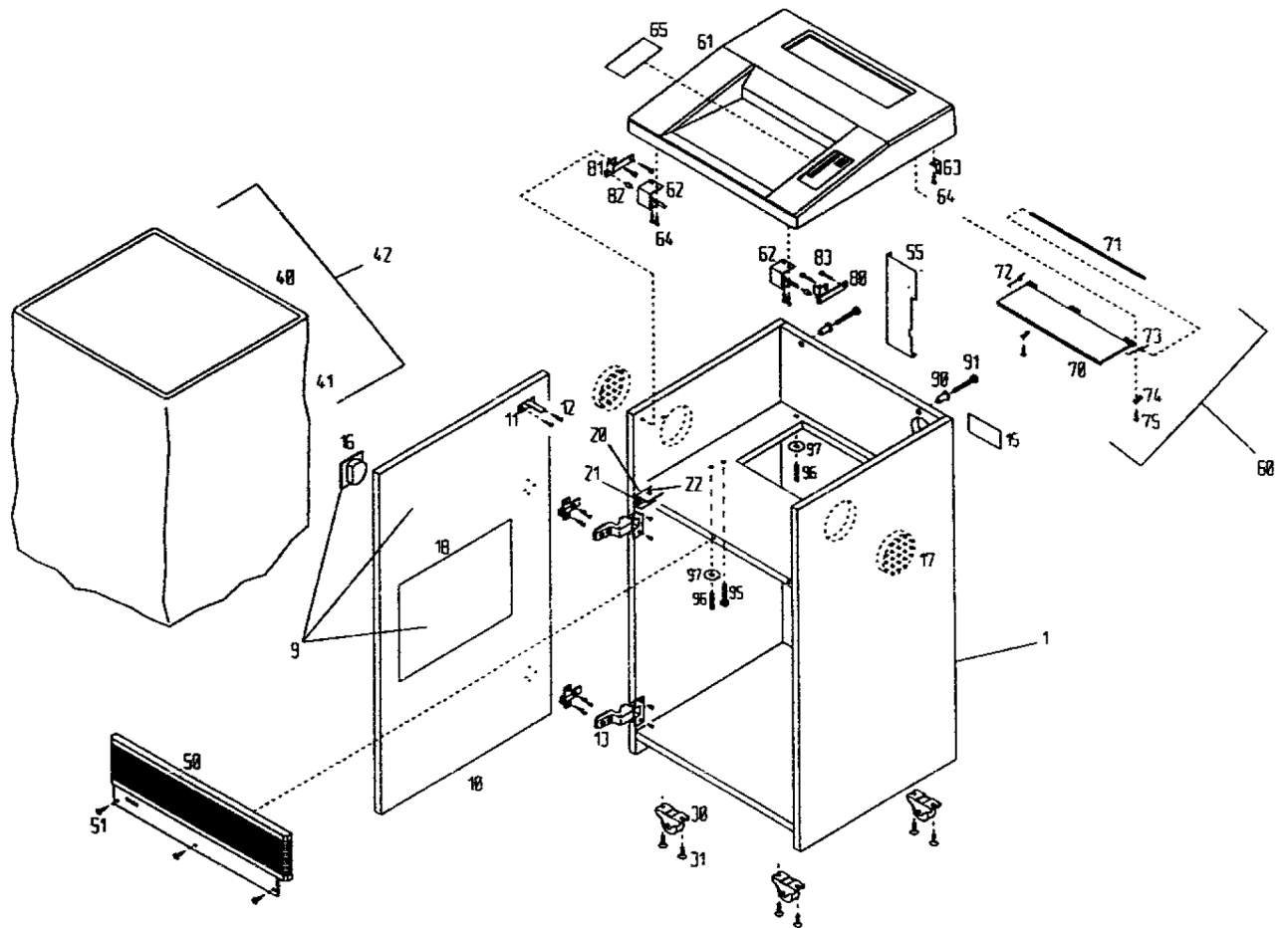


2020CC PARTS LIST



GBC IS AN ACCO BRANDS COMPANY

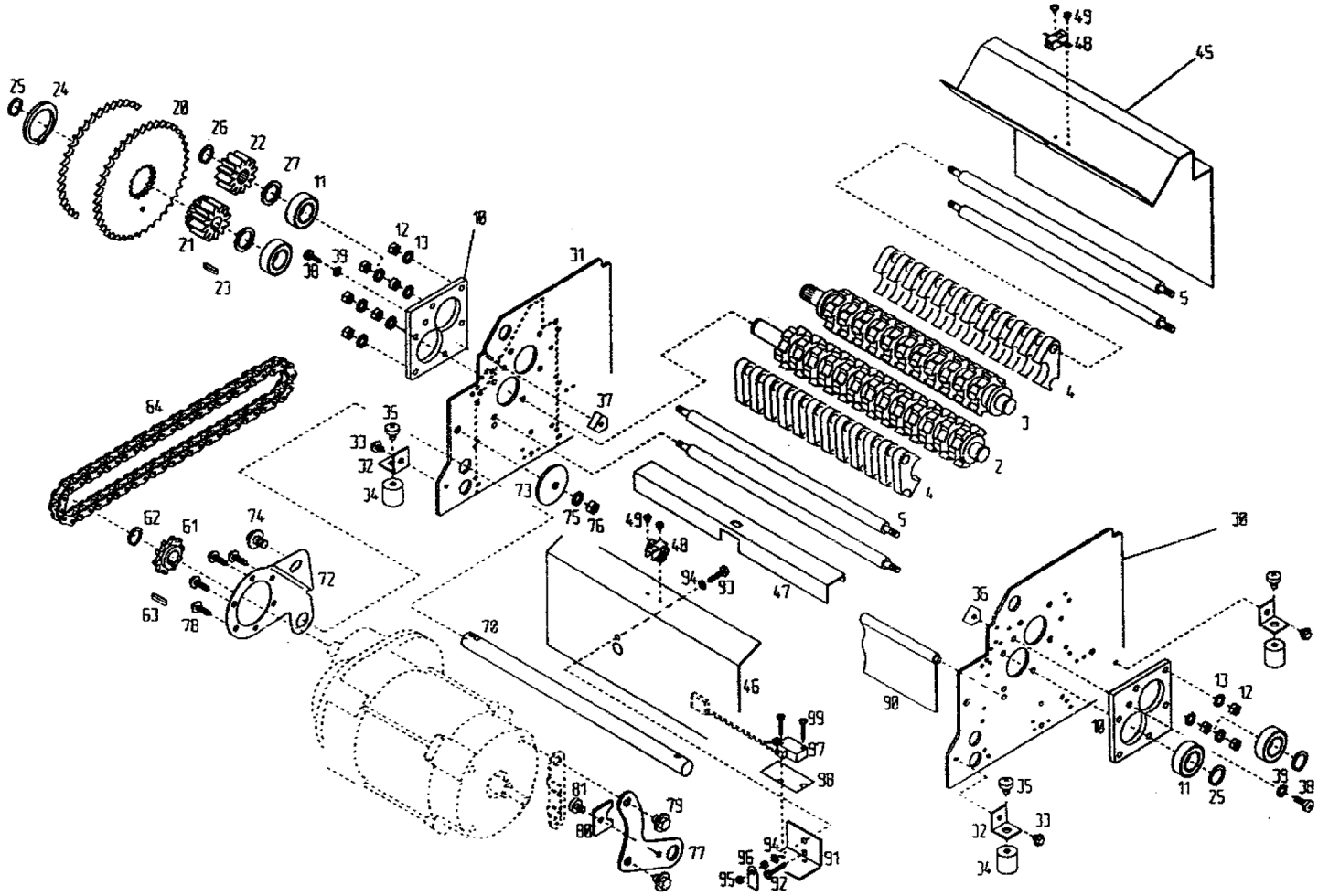
**Section 8.0 2020CC Parts List
Exploded View
Figure 8.1**



**Section 8.0 2020CC Parts List
Figure 8.1**

				QTY
73	1751045	41381028	Tension Spring, R.H	1
72	1751053	41381009	Tension Spring, L.H	1
70	1751052	41381027	Waste Lid	1
61	1750948	41381042	Cover	1
65	1750949	41384035	Keyboard Foil	1
60	1750950	31381028	Cover W/ Waste lid	1
50	1751046	41381010	Grill, Front	1
40	1751049	41381017	Bag Holder	1
30	1750951	044260034	Guide Roll	4
22	1750952	041890011	3x14	10
21	1750953	041890019	3x15	10
20	1750954	413810021	U-Rail	2
17	-----	41381036	Ventilating Grating	2
16	1750955	044390020	Door Pull	1
13	1750956	044453224	Hinge	2
12	1751139	041890011	Screw	2
11	1751083	41462015	Bracket	1
9	1750957	31381038-17	Door Assy	1
1	1750958	31381039-17	Cabinet Complete	1
ITEM	PRT NO.	REF. NO.	DESCRIPTION	115V

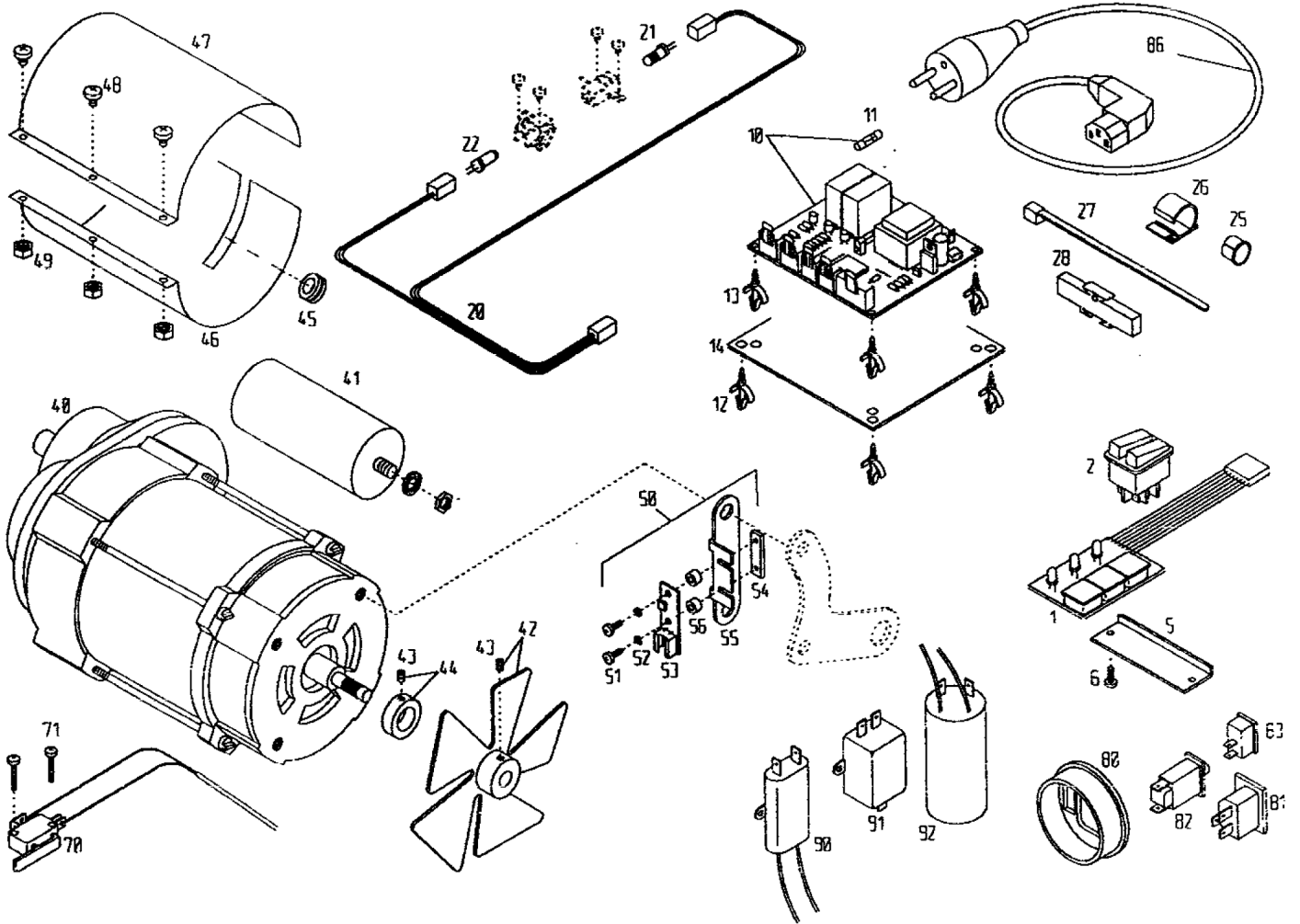
Section 8.0 2020CC Parts List
Exploded View
Figure 8.2



**Section 8.0 2020CC Parts List
Exploded View
Figure 8.2**

				QTY
97	1750959	31384032	Microswitch	1
90	1750960	313830033	Bag Full Flap	
72	1750961	41384025	Motor Bracket	1
64	1751074	41384010	55 Pitch Chain	1
61	1751072	41384027	Z14 Motor Gear	1
48	1750962	41584001	Sensor Housing	2
37	1751064	41383015	L.H Feed Guide	1
36	1751063	41383014	R.H Feed Guide	1
31	1750963	41383071	Side Plate Left	1
30	1750964	41383070	Side Plate Right	1
25	1750965	042552120	E-Ring 17x1	3
24	1751097	042552137	E-Ring 36x1,75	1
23	1751098	043264015	Key, 6x6x25	1
22	1751061	41383050	Z18 Gear	1
21	1751065	41383051	Z18 Gear	1
20	1751062	41383012	Z40 Gear	2
11	1750943	046030013	Bearing	4
10	1751031	41383049	Bearing Plate Assy.	2
5	1750967	41383061	Support Rods	4
4	1751093	41383022	Stripper (.7mm)	337
3	1751035	31383026	Upper Cutter (.8mm x 12mm) w/Strippers	1
2	1751034	31383025	Lower Cutter (.8mm x 12mm) w/Strippers	1
ITEM	PRT NO.	REF. NO.	DESCRIPTION	115V

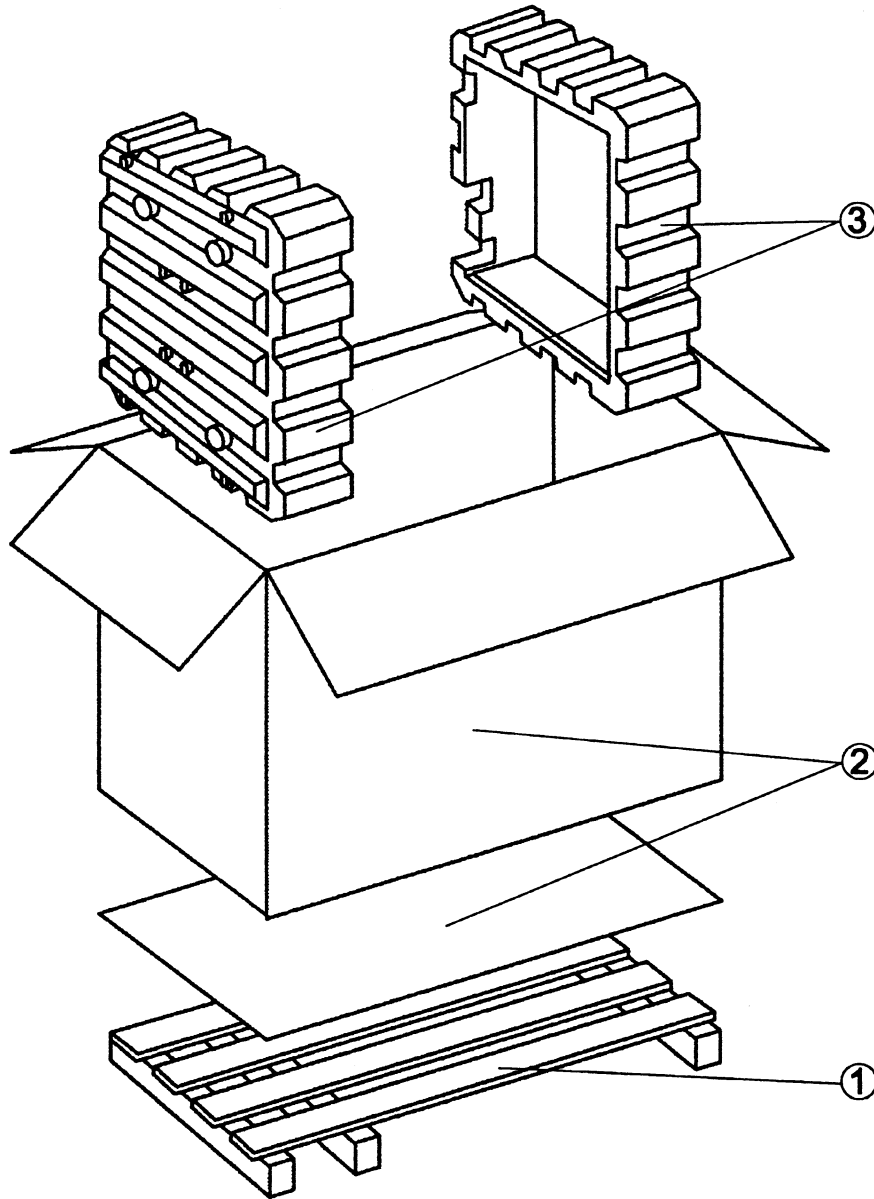
Section 8.0 2020CC Parts List
Exploded View
Figure 8.3



**Section 8.0 2020CC Parts List
Exploded View
Figure 8.3**

				QTY
86	1751106	30104317	Power Cord	1
83	1751039	147520563	Circuit Breaker 8A	1
81	1750968	147560079	Receptacle	1
80	1750969	41381045	Switch Holder	1
70	1750970	31384031	Micro Switch	1
50	1751036	31384002	Impulse Transmitter	1
44	1751023	31374003	Magnet Transmitter	1
42	1751008	044407632	Fan Assy.	1
41	1751119	047680036	Capacitor, 80uf	1
40	1751038	147510081	Motor 110-120v/60hz 0,55kw	1
22	1751021	047780038	Infrared Diode	1
21	1751022	047780013	Phototransistor	1
11	1751013	047600020	Fuse (115V)	1
10	1750971	31384037	P.C. Board	1
1	1750966	31544015	Control Board III EC	1
ITEM	PRT NO.	REF. NO.	DESCRIPTION	115V

**Section 8.0 2020CC Parts List
Packaging Exploded View
Figure 8.4**



ITEM	PRT NO.	REF. NO.	DESCRIPTION	QTY
3	1750945	018120038	Polystyrene Foam Parts	1
2	1750946	018130035	Cardboard Box (968x565x572 cm)	1
1	1750947	018300006	Pallet (970x590 cm)	1
				115V