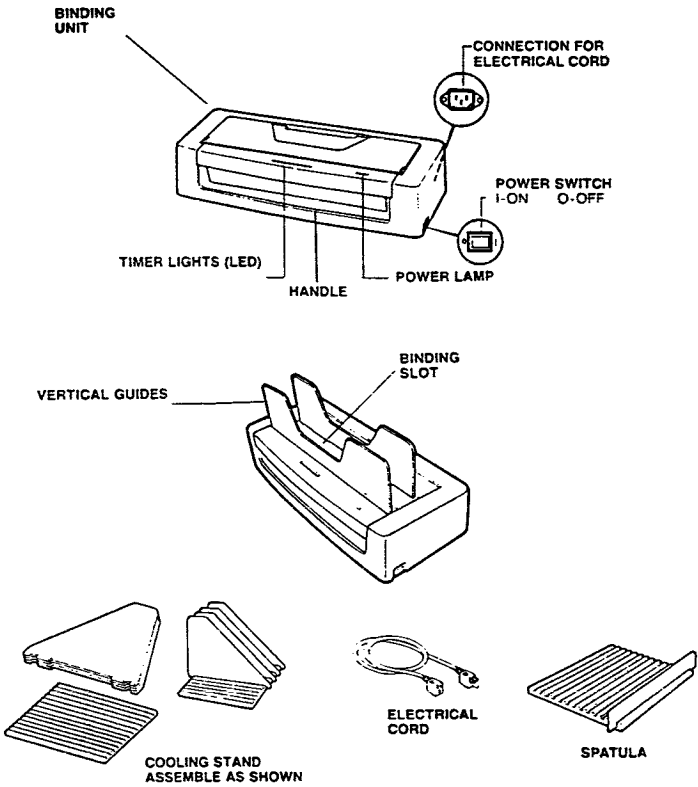


# 1.1 KNOW YOUR 2000XT



FOR SAFE OPERATION, READ THIS MANUAL CAREFULLY BEFORE USING YOUR 2000XT.

## 2.0 SPECIFICATIONS

Item	Description			Remarks
Binding method	Thermally activated adhesive			
Cover Size	Letter, Legal and EDP up to 15" (38.1 cm)			
Cover spine width	1/16" (1.6 mm) - 2" (50.8 mm)			
Acceptable paper sizes	8 1/2" (21.6 cm) - 15" (38.1 cm)			
Binding Thickness	Spine width up to 2" (50.8 mm) total combined thickness for single or multiple books			
Binding Time	30 - 60 seconds/binding cycle  Heating time set automatically by detection of paper thickness			First cycle is 44 seconds  3 time levels
Binding Temperature	290°F to 310°F (143°C to 154°C)			
Warm up time	Within 35 seconds			At rated voltage and 20°C ambient
Binding time	Spine <u>width</u>	Bind <u>time</u>	lighted <u>LEDS</u>	
(time from paper detection to sounding of buzzer)	1/16" to 1/4" (1.6 mm to 9.5 mm) 3/8" to 3/4" (9.5 mm to 19 mm) 7/8" to 2" (22.2 mm to 50.8 mm)	36  48  60	3  4  5	At rated voltage and 20°C ambient. Time varies depending on surrounding temperature.
Supply Voltage	115 VAC 50/60 HZ, 220/240 VAC 50HZ			
Rated Current (in amperes)	115 VAC - 6.5A, 220 VAC - 3.4A, 240 VAC - 3.1A.			
Power Consumption (nominal)	115 VAC - 705W, 220 VAC - 692W, 240 vac - 690W			
Weight	13-1/4 lbs. (6 kgs.)			
Dimensions(WxHxD)	18-7/8" x 4-4/4 x 8-1/2 (47.9 cm x 12.1 cm x 21.6 cm)			
Agency listings & Certifications	UL, CSA, TUV, FCC, DOC			

### 3.0 UNPACKING AND INSTALLATION

#### 3.1 Unpacking

Remove the 2000XT from the shipping carton.

Remove packaging end caps, Cooling Rack and Power Cord.

Inspect for and remove all operator instructions, warranty card, packing lists, etc. before discarding the packing material or shipping carton.

#### 3.2 Installation

The 2000XT should be located on a work table having an adjacent power supply receptacle supplying 115 VAC, 6.5 Amperes 50/60 Hertz, single phase power.

Assemble the Cooling Rack as shown in figure 1-1.

Connect power supply cord into the socket on the back of the unit. Plug the other end into a power supply receptacle.

Follow the Operating Instructions listed in section 4.0 of this manual to bind books.

## 4.0 OPERATING INSTRUCTIONS

### CAUTION:

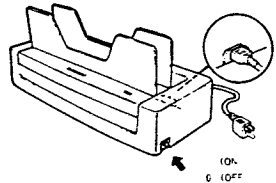
The binding slot and surrounding area becomes very hot. Do not touch or put hands into this opening.

If a foreign object falls into the binding slot, do not attempt to dislodge it by shaking or upending the machine. Instead, turn off power, unplug electrical cord, and wait until the binding slot has cooled before removing the object.

Protect the 2000XT from dust and foreign objects when not in use by folding down the vertical guides after the binding slot is cool.

### 1. Turn On Power

Turn unit on. When unit is powered up the vertical guides close and the 2000XT begins warming up. The power lamp blinks during the warm-up. Blinking stops and the power light stays lit when the 2000XT is ready to bind. At this time the guides also open to expose the binding slot.



### 2. Prepare Document for Binding

Select the correct size THERM-A-BIND cover to accommodate the number of pages in the document. Align paper neatly, making sure all sheets are even at the binding edge, and insert into the THERM-A-BIND binder.



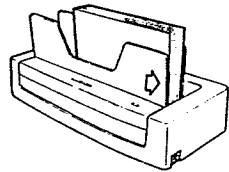
### Notes:

Paper that is bent, curled or contains folds does not bind well. Straighten paper neatly before binding.

Refer to items A and B in "TIPS FOR BEST RESULTS".

### 3. Bind

Insert document (with spine down) so that edge of THERM-A-BIND cover is at the extreme right end of binding slot. The vertical guides close automatically and the binding cycle begins.



#### 4.0 OPERATING INSTRUCTIONS (continued)

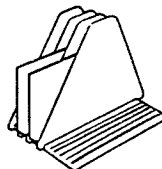
##### 3. Bind (continued)

The timer light zones graphically count down the relative time remaining before binding is complete. The time required for binding is set automatically according to the thickness of the document. When the last timer light is lit the document will undergo a jogging action until the binding cycle is complete.

When the machine begins to beep, remove the bound document from the binding slot.

##### 4. Cool

Place document in the cooling stand with spine down for at least 1-2 minutes. For best results allow 5 minutes for cooling.



##### Notes:

Refer to item C in "TIPS FOR BEST RESULTS."

After the cooling period check to see that paper is securely bound into cover. Should there be any loose pages, make sure all pages are still aligned and repeat steps 3 and 4.

##### 5. Additional Operating Information

To bind several documents in succession, repeat steps 2 through 4 on previous page.

When finished binding, turn off power switch.

If the 2000XT is left on for 5 minutes without being used, the automatic shut-off function is activated, causing the heater to turn off and the power lamp to blink.

To use the 2000XT after automatic shut-off has occurred, turn power switch off briefly, then on again.

Heater efficiency may be impaired if the adhesive builds up on heater plate at bottom of binding slot. To clean, turn unit on and allow the machine to heat up. Once the vertical guides open, unplug unit and use the spatula (included) with a clean absorbent cloth wrapped around it to scrape the adhesive off heater plate. Clean heaters regularly.