

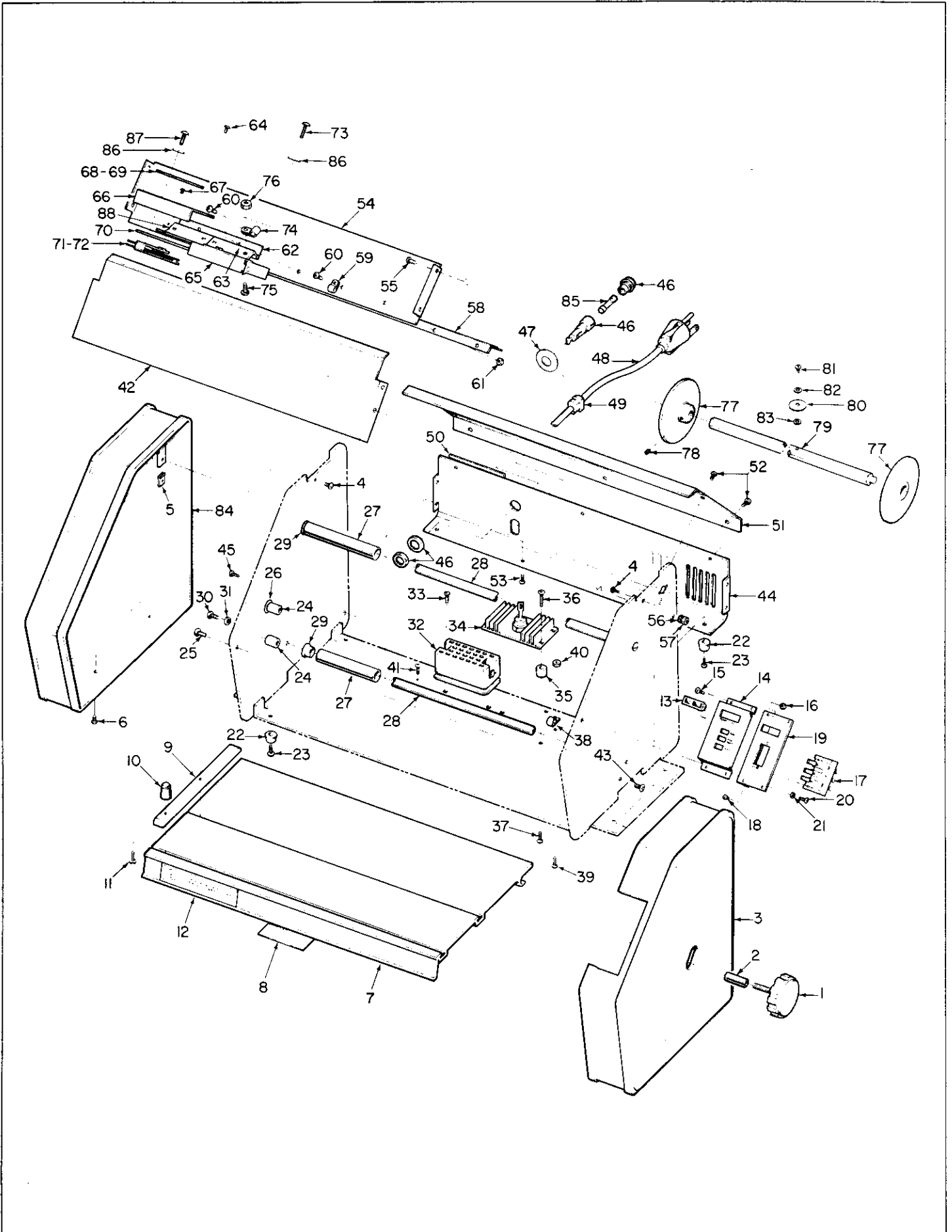


# 173LM & 179LM PARTS LIST



GBC IS AN ACCO BRANDS COMPANY

# MODELS 173-LM, 179-LM, 185-LM & 186-LM LAMINATORS



# MODELS 173-LM, 179-LM, 185-LM & 186-LM LAMINATORS

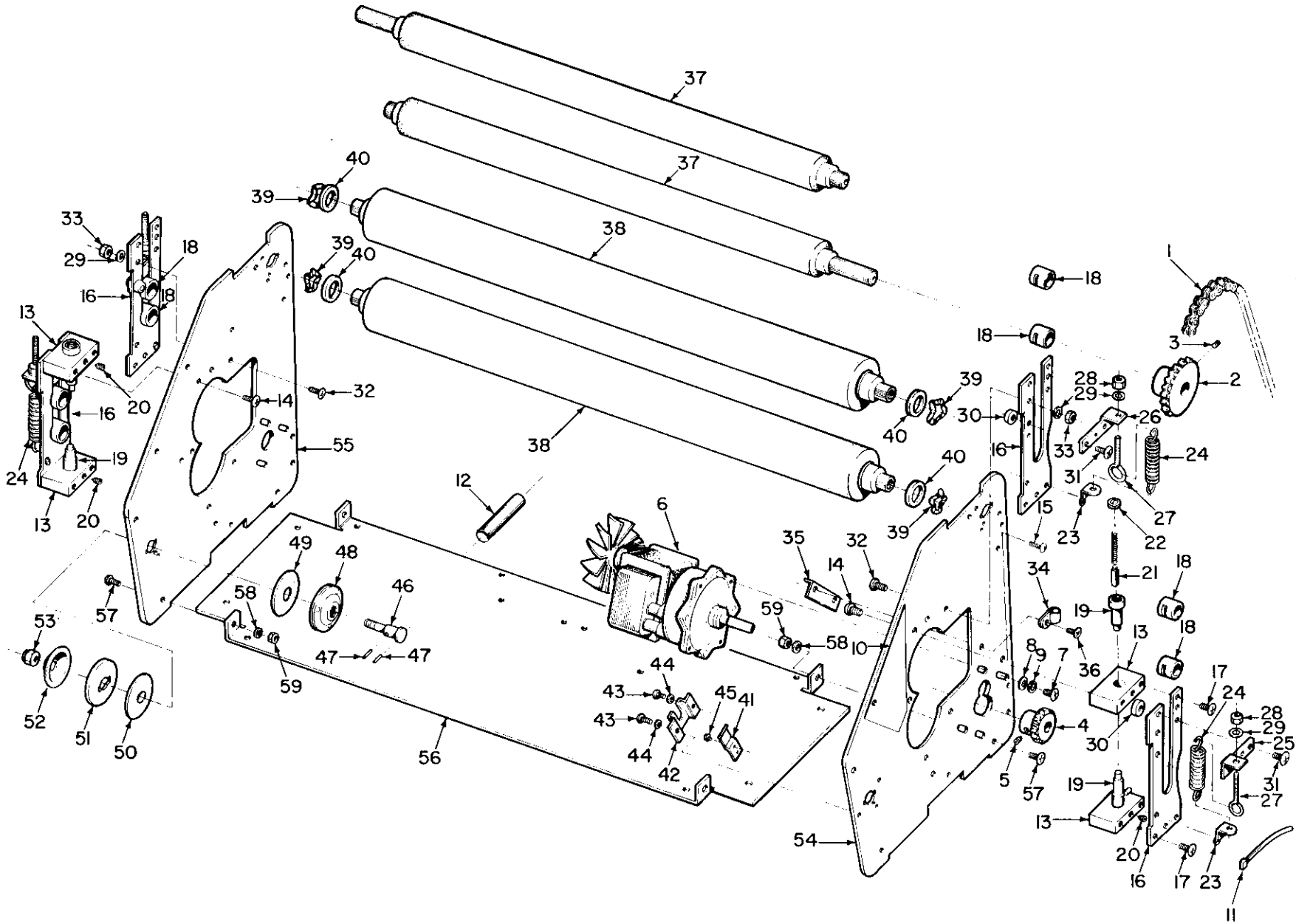
ITEM	DESCRIPTION	179 ONLY	BOTH MODELS	QUAN
1	KNOB .....	-	1107407	1
2	SLEEVE, Knob .....	-	1107408	1
3	COVER ASSEMBLY (Right Hand).....	-	1109471	1
4	SCREW, 6-32 x 3/8 MSPHCR .....	-	1902818	2
5	SPEED NUT .....	-	1103667	2
6	SCREW, 8-32 x 3/8 MSPHCR .....	-	1902804	4
7	TABLE PLATE, Machined .....	1106157	1106155	1
8	LABEL, Threading Diagram .....	-	1106160	1
9	SIDE GUIDE .....	-	1106162	1
10	KNOB .....	-	1106164	2
11	SCREW, Knob .....	-	1106163	2
12	LOGO PLATE .....	-	1107912	1
* 13	READY LIGHT .....	-	1105158	1
14	CONTROL PANEL, (Silk Screened) .....	-	1102714	1
15	SCREW, 8-32 x 1/4 MSPHCR .....	-	1902802	4
16	NUT, Hex, 8-32 (KEPS) .....	-	1926802	4
17	CONTROL SWITCH .....	-	1108169	1
18	SCREW, 6-32 x 3/8 TCSPHCR .....	-	1907801	2
19	PANEL, Bracket .....	-	1102197	1
20	SCREW, 8-32 x 1/4 MSPHCR .....	-	1902802	2
21	LOCKWASHER, #8 Internal Tooth .....	-	1925806	2
22	RUBBER FOOT .....	-	1101533	4
23	SCREW, 10-32 x 3/8 MSPHCR (SEMS) .....	-	1911301	4
24	TABLE SUPPORT .....	-	1104285	4
25	SCREW, 10-32 x 3/8 MSRHCR (SEMS) .....	-	1911301	4
26	SPACER, Rubber Ring .....	-	1105141	2
27	TUBE, Film Guide .....	1103515	1103513	2
28	SHAFT, Film Guide .....	1103514	1103512	2
29	BEARING, Film Guide Shaft .....	-	1103516	4
30	SCREW, 8-32 x 3/8 MSTHCR .....	-	1903001	4
31	LOCKWASHER, #8 External Tooth .....	-	1925803	4
32	TERMINAL BLOCK .....	-	1107215	1
33	SCREW, 6-32 x 5/8 MSPHCR (SEMS) .....	-	1911110	2
34	RECTIFIER & HEAT SINK ASSEMBLY .....	-	1104304	1
35	STAND-OFF INSULATORS .....	-	1104293	2
36	SCREW, 6-32 x 3/8 MSPHCR (SEMS) .....	-	1911116	2
37	SCREW, 6-32 x 5/16 MSPHCR (SEMS) .....	-	1911115	2
38	CABLE CLAMP .....	-	1931001	1
39	SCREW, 8-32 x 1/2 MSPHCR.....	-	1902809	1
40	NUT, Hex 8-32 (KEPS) .....	-	1926802	1
41	SCREW, Grounding 6-32 x 3/16 MSPHCR (SEMS) .....	-	1911113	1
42	MOTOR SHIELD .....	1103635	1104269	1
43	SCREW, #6 x 5/16 SMTH .....	-	1905304	4
44	COVER, Rear Base .....	1103636	1104270	1

# MODELS 173-LM, 179-LM, 185-LM & 186-LM LAMINATORS

ITEM	DESCRIPTION	179 ONLY	BOTH MODELS	QUAN
45	SCREW, #8 x 1/4 SMPH .....	-	1905003	4
46	FUSE HOLDER & LEAD ASSEMBLY .....	-	1104290	1
*47	LABEL ELECTRICAL IDENTIFICATION .....	-	1105550	1
*48	POWER CORD ASSEMBLY .....	-	1104299	1
49	BUSHING, Strain Relief (HAYCO) .....	-	1952404	1
50	NAME PLATE, Serial No. Stamped .....	1103621	1104253	1
51	PANEL, Lower Rear Cover .....	1103634	1104271	1
52	SCREW, #6 x 5/16 SMPH .....	-	1905005	5
53	SCREW, 8-32 x 5/16 MSPHCR .....	-	1902808	2
54	CUT OFF PANEL .....	1103629	1104268	1
55	SCREW, 8-32 x 5/16 MSPHCR .....	-	1902816	4
56	LOCKWASHER, #6 Internal Tooth .....	-	1925802	4
57	NUT, Hex 6-32 .....	-	1926707	4
58	TEAR BLADE BRACKET ASSEMBLY .....	1103630	1104306	1
59	CABLE CLAMP .....	-	1931007	3
60	SCREW, 8-32 x 3/8 MSPHCR .....	-	1902804	6
61	NUT, Hex 8-32 (KEPS) .....	-	1926802	6
62	HINGE, Thermostat Bracket .....	-	1102312	1
63	THERMOSTAT BRACKET .....	-	1104314	1
64	RIVET, 1/8 Oval Head (Semi-Tubular) .....	-	1929713	4
65	THERMOSTAT GUARD (Right Hand) .....	-	1107446	1
66	THERMOSTAT GUARD (Left Hand) .....	-	1107447	1
67	RIVET, 1/8 Oval Head (Semi-Tubular) .....	-	1929745	4
68	INSTRUCTION PLATE, Thermostat R. H. ....	-	1104322	1
69	INSTRUCTION PLATE, Thermostat L. H. ....	-	1103004	1
70	PHENOLIC SPACER .....	-	1104311	2
71	THERMOSTAT, Heat Control (Ref. Blue Dot) .....	-	1103005	1
72	THERMOSTAT, Ready Light & Motor Control (Ref. Yellow Dot) .....	-	1103039	1
73	SCREW, 8-32 x 1/2 MSPHCR (SEMS) .....	-	1911111	2
74	CABLE CLAMP .....	-	1931007	2
75	SCREW, 6-32 x 3/8 MSRHCR .....	-	1902915	2
76	NUT, Hex 6-32 (KEPS) .....	-	1926801	2
77	SUPPLY ROLL DISC ASSEMBLY .....	-	1102205	4
78	SCREW, 10-32 x 1/4 SSSH .....	-	1900004	2
79	ROD, Roll Carrier .....	1103626	1104274	2
80	WASHER, Flat Steel (Core Mounting) .....	-	1102346	2
81	SCREW, 6-32 x 5/16 MSBHS .....	-	1901304	2
82	LOCKWASHER, #6 Internal Tooth .....	-	1925802	2
83	WASHER, #6 Flat Metal .....	-	1925007	2
84	COVER ASSEMBLY (Left Hand) .....	-	1109474	1
*85	FUSE (15 Amp) .....	-	1104289	1
86	WASHER, #8 Flat Metal .....	-	1925004	2
87	SCREW, 8-32 x 5/8 MSPHCR (SEMS) .....	-	1911118	1
88	THERMOSTAT BRACKET, Left Hand .....	-	1106188	1
*DENOTES ELECTRICAL COMPONENT CHANGE REQUIRED FOR MODELS 185-LM AND 186-LM LAMINATORS 230 V. 50 HZ.				
			186-LM	185-LM
89	READY LIGHT .....	105308	105308	1
90	LABEL, Electrical Identification .....	105551	105551	1
91	POWER CORD ASSEMBLY .....	102335	102335	1
92	MOTOR .....	128525	128525	1

MODELS 173-LM, 179-LM, 185-LM & 186-LM LAMINATORS

A-9

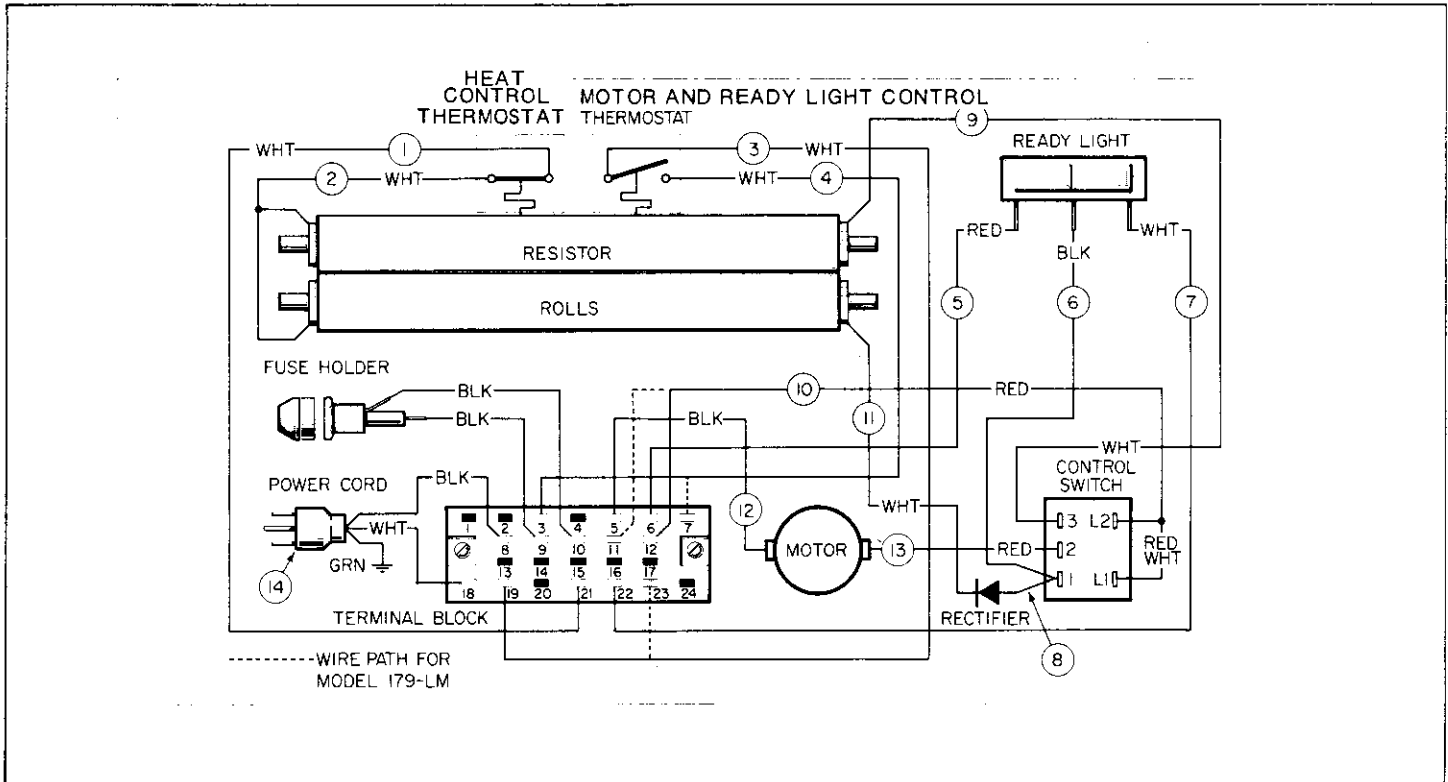


# MODELS 173-LM, 179-LM, 185-LM & 186-LM LAMINATORS

ITEM	DESCRIPTION	179 ONLY	BOTH MODELS	QUAN
1	DRIVE CHAIN & MASTER LINK ASSEMBLY .....	-	1104300	1
2	SPROCKET, Driven .....	-	1104248	1
3	SCREW, 8-32 x 3/16 SSSH .....	-	1900012	1
4	SPROCKET, Drive .....	-	1104263	1
5	SCREW, 8-32 x 3/16 SSSH .....	-	1900012	1
* 6	MOTOR, Gear Reduction W/Leads & Fan .....	-	1103745	1
7	SCREW, 10-32 x 1/2 MSRHCR .....	-	1902907	4
8	WASHER, #10 Flat Metal .....	-	1925002	4
9	LOCKWASHER, #10 Internal Tooth .....	-	1925803	4
10	INSULATOR .....	-	1104295	1
11	WIRE TIE.....	-	1932101	3
12	INSULATING SLEEVE (Fuse Holder) .....	-	1954311	1
13	SPACER, Bearing Block .....	-	1104288	4
14	SCREW, 10-32 x 3/8 MSPHCR (SEMS) .....	-	1911102	2
15	SCREW, #6 x 5/16 SMTH .....	-	1905304	21
16	BEARING BRACKET .....	-	1104286	4
17	SCREW, 10-32 x 3/8 MSPHCR (SEMS) .....	-	1911301	14
18	BEARING, Bronze .....	-	1102218	8
19	BRUSH HOLDER .....	-	1102232	4
20	SCREW, 6-32 x 1/8 SSSH .....	-	1900008	2
21	CARBON BRUSH & SPRING ASSEMBLY .....	-	1102231	4
22	CAP, Brush Holder .....	-	1102234	4
23	SPRING BRACKET .....	-	1101026	4
24	SPRING, Bearing Bracket .....	-	1102275	4
25	LEVER, Left Hand .....	-	1102277	2
26	LEVER, Right Hand .....	-	1102276	2
27	EYE BOLT, 8-32 x 1-9/16 (Closed) .....	-	1953801	4
28	NUT, Hex, 8-32 .....	-	1926701	4
29	LOCKWASHER, #8 Internal Tooth .....	-	1925806	4
30	PERMA-NUT, 10-32 .....	-	1932401	4
31	SCREW, 10-32 x 3/8 MSPHCR .....	-	1902805	4
32	SCREW, 10-32 x 7/16 MSPHCR .....	-	1902913	3
33	NUT, Hex 10-32 .....	-	1926702	3
34	CABLE CLAMP .....	-	1931007	6
35	MOUNTING BRACKET .....	-	1102109	2
36	SCREW, #6 x 3/8 SMPH .....	-	1905002	2
37	PULL RUBBER ROLLER .....	1103638	1104291	2
38	RESISTOR ROLL ASSEMBLY .....	1103672	1103652	2
39	WASHER, Spring 1/2 (Wavy) .....	-	1926504	4
40	WASHER, Non Metallic .....	-	1104287	4
41	SPRING SHAFT .....	-	1102288	2
42	ROLL CARRIER ROD BRACKET .....	-	1102230	2
43	SCREW, 8-32 x 1/4 MSPHCR .....	-	1902802	4
44	LOCKWASHER, #8 Internal Tooth .....	-	1925806	4
45	RIVET, 1/8 Oval Head (Semi-Tubular) .....	-	1929703	4
46	BRAKE SPINDLE .....	-	1102186	2
47	ROLL PIN .....	-	1929212	4
48	BRAKE WELDED ASSEMBLY .....	-	1102233	2
49	BRAKE LINER .....	-	1104261	2
50	FRICTION DISC .....	-	1102181	2
51	BRAKE DISC .....	-	1102187	2
52	BRAKE SPRING .....	-	1104508	2
53	FLEX-LOC HEX NUT, 10-32 .....	-	1927202	2
54	SIDE PLATE (Right Hand) .....	-	1104266	1
55	SIDE PLATE (Left Hand) .....	-	1104315	1
56	BASE PLATE .....	1103588	1104265	1
57	SCREW, 10-32 x 1/2 MSRHCR .....	-	1902907	4
58	LOCKWASHER, #10 Internal Tooth .....	-	1925803	4
59	NUT, Hex 10-32 .....	-	1926702	4

# MODELS 173-LM & 179-LM LAMINATORS

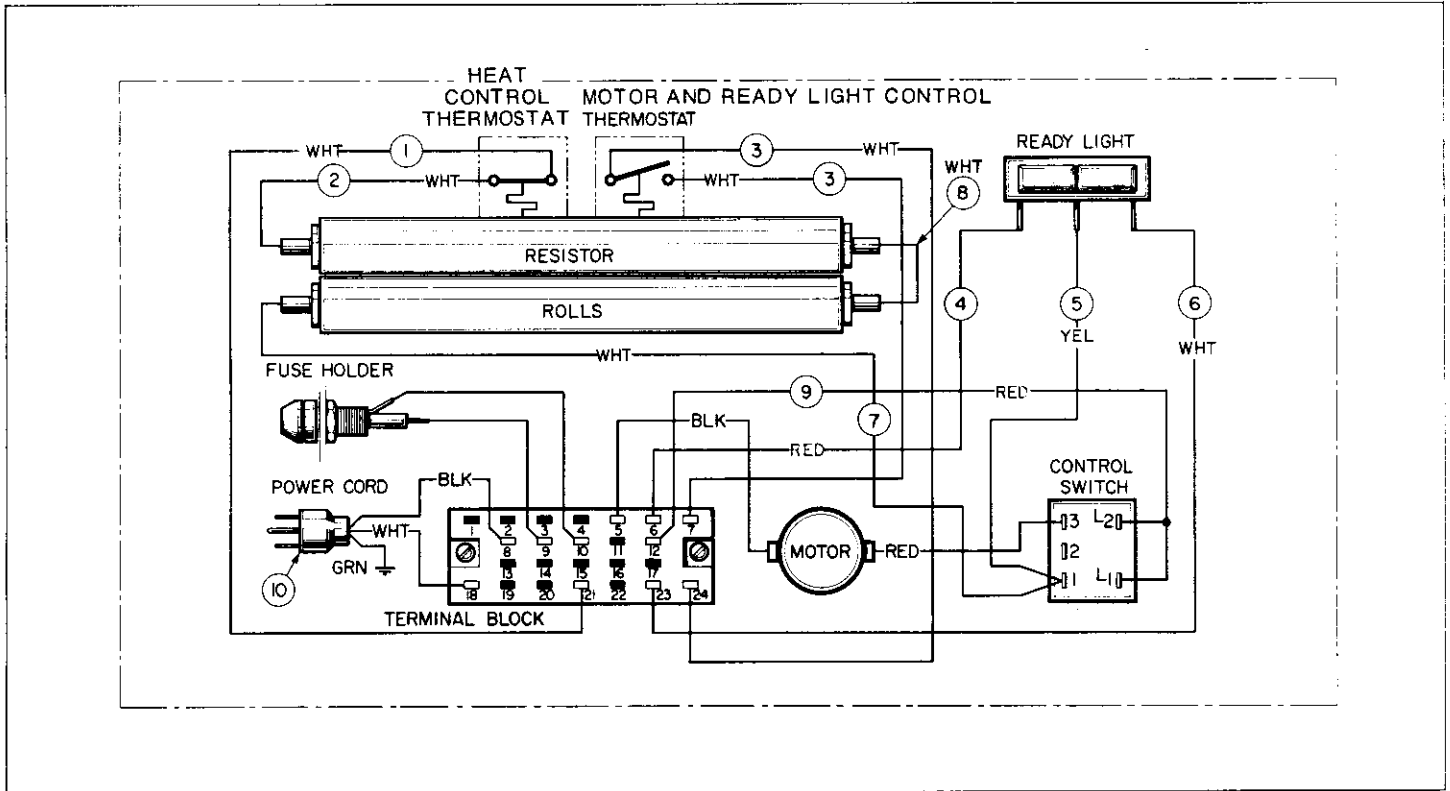
## ELECTRICAL WIRING DIAGRAM



ITEM	DESCRIPTION	179 ONLY	BOTH MODELS	QUAN
1	LEAD & TERMINAL ASSEMBLY (Wht) .....	1103563	1103567	1
2	LEAD & TERMINAL ASSEMBLY (Wht) .....	1103547	1104318	1
3	LEAD & TERMINAL ASSEMBLY (Wht) .....	1103567	1105430	1
4	LEAD & TERMINAL ASSEMBLY (Wht) .....	1103567	1105430	1
5	LEAD & TERMINAL ASSEMBLY (Red) .....		1105433	1
6	LEAD & TERMINAL ASSEMBLY (Blk) .....		1105434	1
7	LEAD & TERMINAL ASSEMBLY (Wht) .....	1103564	1105432	1
8	LEAD & TERMINAL ASSEMBLY (Wht) .....		1105434	1
9	LEAD & TERMINAL ASSEMBLY (Wht) .....		1104319	1
10	LEAD & TERMINAL ASSEMBLY (Red) .....		1105911	1
11	LEAD & TERMINAL ASSEMBLY (Wht) .....		1104319	1
12	LEAD & TERMINAL ASSEMBLY (Blk) .....		1105436	1
13	LEAD & TERMINAL ASSEMBLY (Red) .....		1105437	1
14	POWER CORD ASSEMBLY COMPLETE .....		1104299	1

# MODELS 185-LM & 186-LM LAMINATORS

## ELECTRICAL WIRING DIAGRAM



ITEM	DESCRIPTION	185 ONLY	BOTH MODELS	QUAN
1	LEAD & TERMINAL ASSEMBLY (White) .....	103567	103563	1
2	LEAD & TERMINAL ASSEMBLY (White) .....		103663	1
3	LEAD & TERMINAL ASSEMBLY (White) .....	105430	103567	2
4	LEAD & TERMINAL ASSEMBLY (Red) .....		105433	1
5	LEAD & TERMINAL ASSEMBLY (Yellow) .....		105608	1
6	LEAD & TERMINAL ASSEMBLY (White) .....	103564	105432	1
7	LEAD & TERMINAL ASSEMBLY (White) .....		103684	1
8	LEAD & TERMINAL ASSEMBLY (White) .....		107506	1
9	LEAD & TERMINAL ASSEMBLY (Red) .....		105911	1
10	POWER CORD ASSEMBLY COMPLETE .....		102335	1