

8.0 PARTS LIST

All parts in each illustration are keyed with an index number for reference to the respective part number and name in the respective parts list.

When ordering parts always include the following information:

1. Machine Model Number
2. Machine Serial Number
3. Part Number
4. Part Name
5. Quantity Required

NOTE: The Northbrook Service Parts Department does not stock all hardware; to avoid delays all standard hardware shown in this Parts List should be procured locally whenever possible.

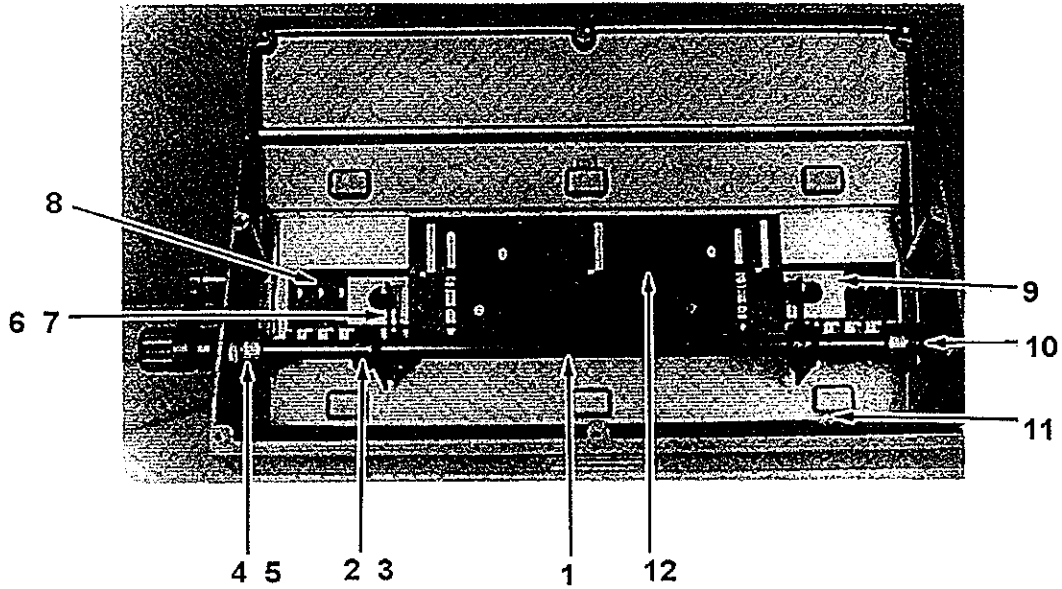


FIGURE 8.1

ITEM	P/N	DESCRIPTION	QUANTITY
1	7300234	Shaft and handle assembly	1
2	7300237	Drive arm assembly	2
3	1929206	Roll pin	2
4	1931703	Collar	2
5	1925102	Washer	2
6	1131507	Connecting link	2
7	1931602	Grip ring	2
8	7300040	Hook slide	1
9	1119751	Slide bar assembly	1
10	1100415	Brake spring	1
11	7300231	Base	1
12	7300038	Guide plate	1
•	1131503	Comb	1
•	1131504	Back angle brace	1
•	1930816	Rivets	5
•	Indicates not shown		

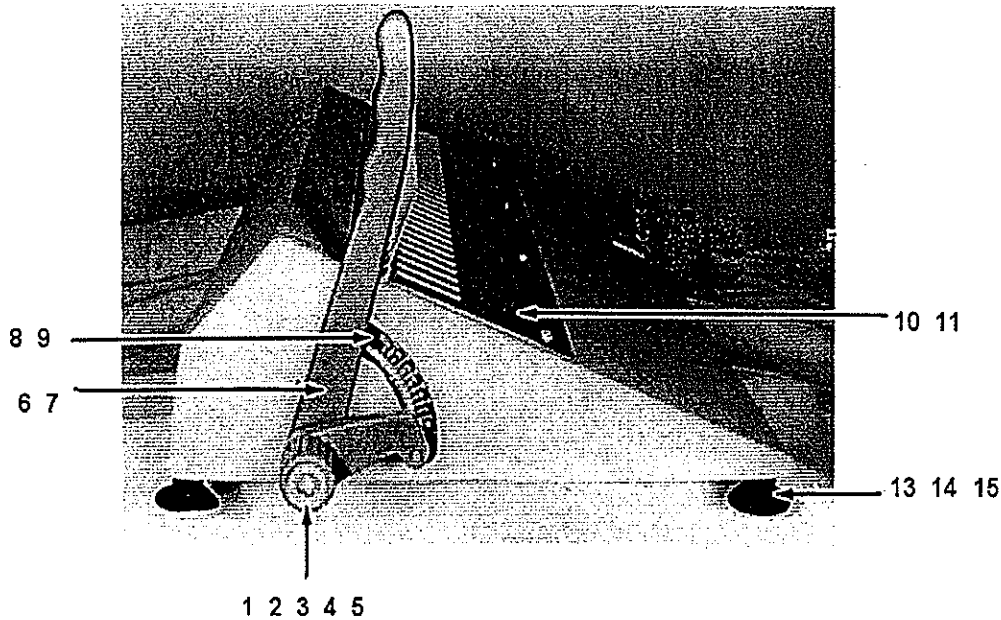
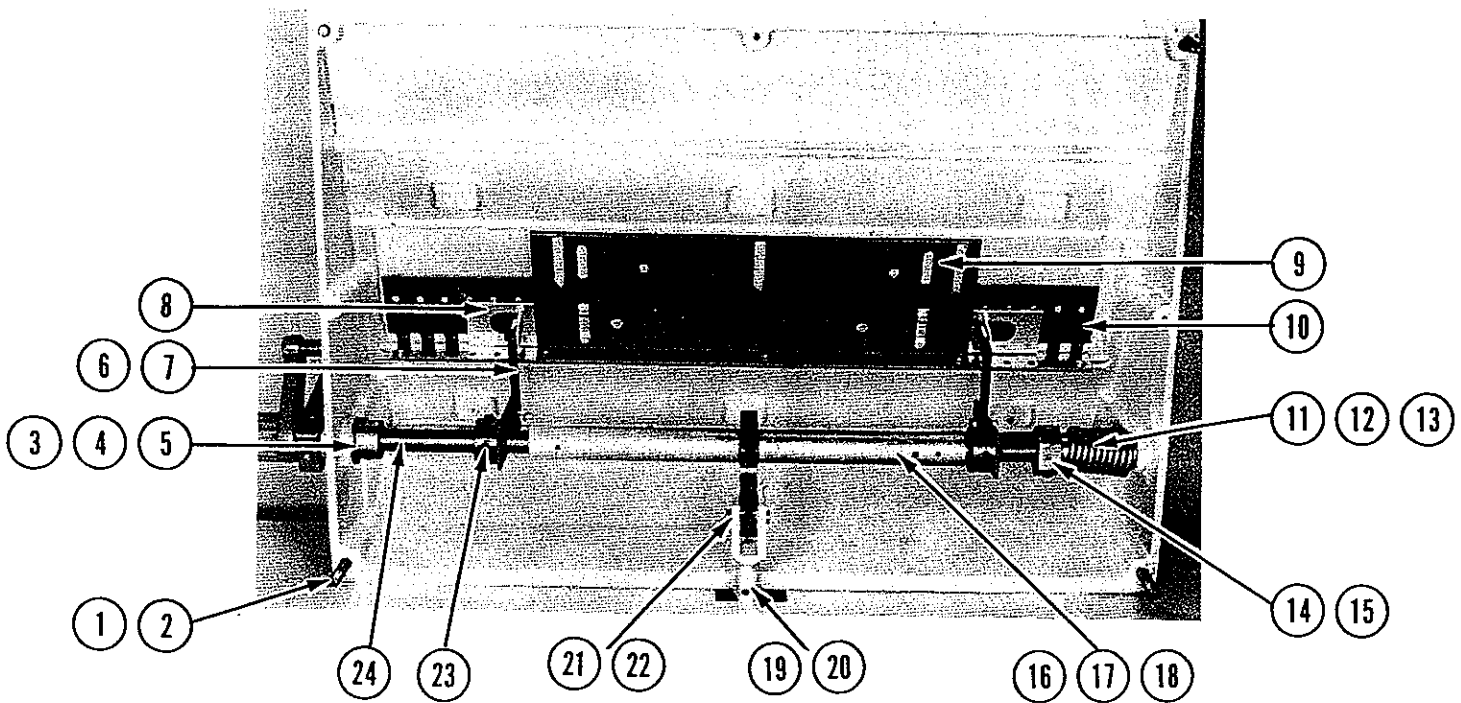


FIGURE 8.2

ITEM	P/N	DESCRIPTION	QUANTITY
1	7300233	Knob assembly	1
2	1100412	Pin	1
3	1100413	Knob spring	1
4	1100414	Spring retainer	1
5	1902603	Screw	1
6	7300235	Handle assembly, pre-drilled 7704828	1
7	1930124	Metal dowel pin	1
	1929207	Roli pin (alternative to metal dowel pin)	1
8	1100373	Indicator plate	1
9	1908004	Screw	2
10	7300033	Top cover plate	1
11	1908002	Screw	8
12	N/A		
13	1131520	Foot (cup type)	4
	1100228	Foot (alternative to cup type)	4
	1902809	Screw (required for alternative)	4
	1925004	Washer (required for alternative)	4
14	1100425	Bottom cover	1
15	1907912	Screw	4
•	1131108	Binding post	2

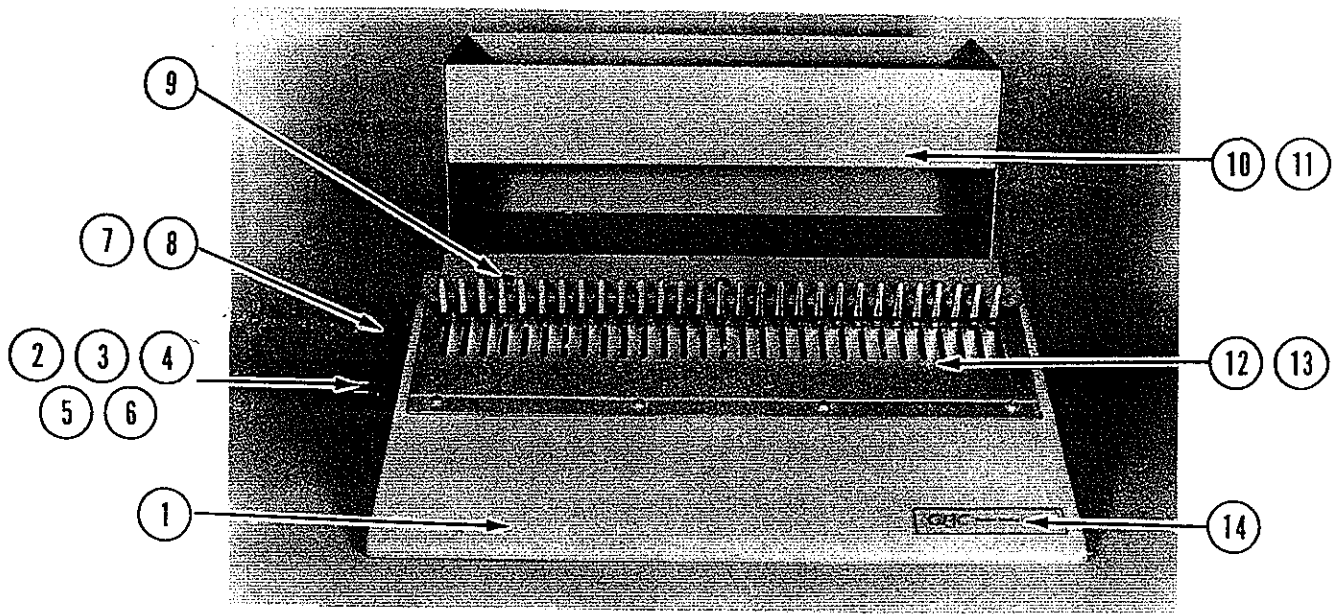
• Indicates not shown



16FB-3

ITEM NUMBER	PART NUMBER	PART NAME	QUANTITY
1	1900058	THREAD STUD.	4
2	1926708	HEX NUT.	4
3	1931704	COLLAR	1
4	1900003	SET SCREW.	1
5	1925102	WASHER	1
6	1131507	CONNECTING LINK.	2
7	1931602	GRIP RING.	2
8	1119751	SLIDE BAR ASSY	1
9	1131502	BINDER FRAME SUB-ASSY.	1
10	1131506	HOOK SLIDE . <i>7300040</i>	1
11	1100513	TORSION SPRING	1
12	1100514	SPACER	1
13	1929227	ROLL PIN	1
14	1100512	SPRING RETAINER.	1
15	1900003	SET SCREW.	2
16	1131517	CAM TUBE AND LEVER	1
17	1900012	SET SCREW.	1
18	1929206	ROLL PIN	2
19	1101589	CLEVIS	2
20	1929222	ROLL PIN	2
21	1101542	CLEVIS PIN	2
22	1930501	RETAINER	2
23	1131508	DRIVE ARM ASSY	2
24	1131523	SHAFT AND LIMIT STOP ASSY.	1

FIGURE 8.3



16FB-3

ITEM NUMBER	PART NUMBER	PART NAME	QUANTITY
1	1131515	BASE.	1
2	1100410	KNOB ASSY	1
3	1100412	PIN	1
4	1100413	KNOB SPRING	1
5	1100414	SPRING RETAINER	1
6	1902603	SCREW	1
7	1101539	LIMIT STOP.	1
8	1929207	ROLL PIN.	1
9	1902631	SCREW	1
10	1103492	CERLOX BOX.	3
11	1105806	PLASTIC GATE.	1
12	1131501	TOP COVER	1
13	1908002	SCREW	1
14	1128200	LOGO PLATE.	8
			1

FIGURE 8.4